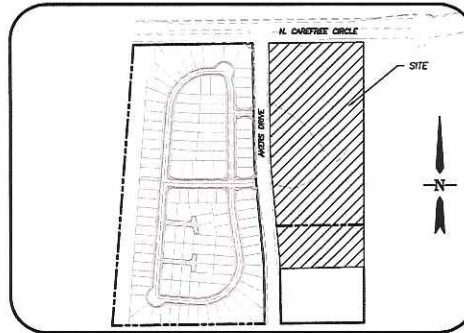


LEGAL DESCRIPTION:

BEING LOT 2, MULE DEER BUSINESS PARK PLNG NO. 1 AND A TRACT OF LAND LOCATED IN THE EAST 1/4 OF SECTION 28, TOWNSHIP 13 SOUTH, RANGE 85 WEST OF THE 6TH PRINCIPAL MERIDIAN, EL PASO COUNTY COLORADO, MORE PARTICULARLY DESCRIBED AS FOLLOWS:
 BEGINNING AT THE NORTHEAST CORNER OF AERS DRIVE (60 FEET WIDE) AS PLATTED IN MULE DEER BUSINESS PARK PLNG NO. 1, RECORDED WITH RECEPTION NO. 209723533 IN THE RECORDS OF THE EL PASO COUNTY CLERK AND RECORDS, POINT BEING ON THE SOUTHERLY RIGHT-OF-WAY OF NORTH CAREFREE CIRCLE (120 FEET WIDE) AS PLATTED IN PRONGHORN MEADOWS PLNG NO. 1, RECORDED WITH RECEPTION NO. 202105071 OF SAID RECORDS;
 THE FOLLOWING FIVE (5) COURSES ARE ON THE EASTERLY RIGHT-OF-WAY OF SAID AERS DRIVE:
 1) THENCE S00°41'40"E A DISTANCE OF 558.88 FEET TO A POINT OF CURVE TO THE LEFT;
 2) THENCE ON THE ARC OF SAID CURVE HAVING A RADIUS OF 863.00 FEET, A DELTA ANGLE OF 0°53'14", AN ARC LENGTH OF 78.88 FEET, WHOSE LONG CHORD BEARS S02°37'18"E A DISTANCE OF 78.88 FEET;
 3) THENCE S00°16'50"E A DISTANCE OF 277.56 FEET TO THE NORTHWEST CORNER OF LOT 2, OF SAID MULE DEER BUSINESS PARK PLNG NO. 1;
 4) THENCE S00°18'50"E ON THE WESTERLY LINE OF SAID LOT 2, A DISTANCE OF 142.31 FEET TO A POINT OF CURVE TO THE RIGHT;
 5) THENCE ON THE ARC OF SAID CURVE AND SAID WESTERLY LINE OF LOT 2, HAVE A RADIUS OF 1040.00 FEET, A DELTA ANGLE OF 0°59'29", AN ARC LENGTH OF 72.43 FEET, WHOSE LONG CHORD BEARS S03°17'15"E A DISTANCE OF 72.43 FEET TO THE SOUTHWEST CORNER OF SAID LOT 2;
 THENCE N88°42'27"E ON THE SOUTH LINE OF SAID LOT 2, A DISTANCE OF 413.10 FEET TO THE SOUTHEAST CORNER OF SAID LOT 2;
 THENCE N00°02'55"E ON THE EAST LINE OF SAID LOT 2, A DISTANCE OF 208.74 FEET TO THE NORTHEAST CORNER OF SAID LOT 2;
 THENCE N00°02'55"E A DISTANCE OF 806.69 FEET TO A POINT ON THE SOUTHERLY RIGHT-OF-WAY OF SAID NORTH CAREFREE CIRCLE;
 THENCE S88°18'20"W ON SAID SOUTHERLY RIGHT-OF-WAY, A DISTANCE OF 487.30 FEET TO THE POINT OF BEGINNING.
 THE ABOVE TRACT OF LAND CONTAINS 503,668 SQUARE FEET OR 11.563 ACRES, MORE OR LESS.

THE GARDENS AT NORTH CAREFREE PRE DEVELOPMENT GRADING AND EROSION CONTROL PLAN EL PASO COUNTY, STATE OF COLORADO

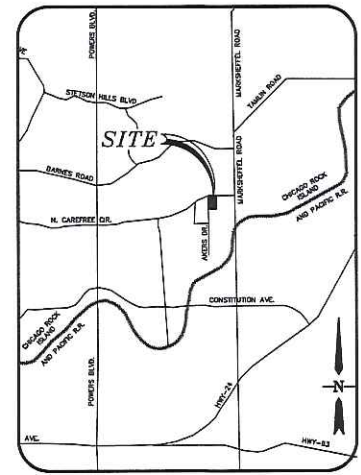


LOCATION MAP
 SCALE: 1"=300'

CONTACT INFORMATION:

OWNER / DEVELOPER:
 MULE DEER INVESTMENTS LLC
 2727 GLEN ARBOR DR.
 COLORADO SPRINGS, CO 80920-1458

ENGINEER:
 STANTEC CONSULTING INC.
 5725 MARK DARLING BLVD SUITE 190
 COLORADO SPRINGS, CO 80919



VICINITY MAP
 N.T.S.



THIS GRADING AND EROSION CONTROL PLAN WAS PREPARED UNDER MY DIRECTION AND SUPERVISION AND IS CORRECT TO THE BEST OF MY KNOWLEDGE AND BELIEF. SAID PLAN HAS BEEN PREPARED ACCORDING TO THE CRITERIA ESTABLISHED BY THE COUNTY FOR GRADING AND EROSION CONTROL PLANS. I ACCEPT RESPONSIBILITY FOR ANY LIABILITY CAUSED BY ANY NEGLIGENT ACTS, OMISSIONS OR GROSSNESS ON MY PART IN PREPARING THIS PLAN.

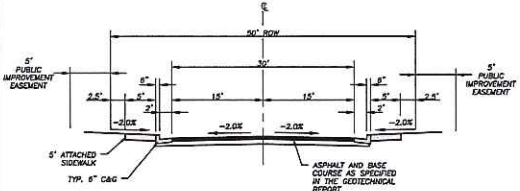
THE OWNER WILL COMPLY WITH THE REQUIREMENTS OF THE EROSION CONTROL PLAN.
Heath A. Herber, Manager

COUNTY PLAN REVIEW IS PREMISED ONLY FOR GENERAL CONFORMANCE WITH COUNTY DESIGN CRITERIA. THE COUNTY IS NOT RESPONSIBLE FOR THE ACCURACY AND ADEQUACY OF THE DESIGN, DIMENSIONS, AND/OR ELEVATIONS WHICH SHALL BE COMPLETED AT THE JOB SITE. THE COUNTY THROUGH THE APPROVAL OF THIS DOCUMENT ASSUMES NO RESPONSIBILITY FOR COMPLETENESS AND/OR ACCURACY OF THIS DOCUMENT.

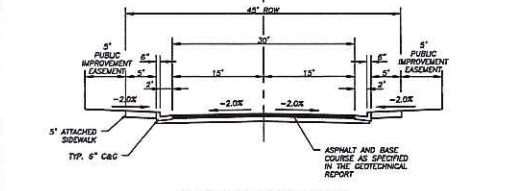
FILED IN ACCORDANCE WITH THE REQUIREMENTS OF THE EL PASO COUNTY LAND DEVELOPMENT CODE, DRAINAGE CRITERIA AND ENGINEERING CRITERIA MANUAL, AS AMENDED.

IN ACCORDANCE WITH EPC SECTION 1.1.2, THESE CONSTRUCTION DOCUMENTS WILL BE VALID FOR CONSTRUCTION FOR A PERIOD OF 3 YEARS FROM THE DATE SIGNED BY THE EL PASO COUNTY ENGINEER. IF CONSTRUCTION HAS NOT STARTED WITHIN THOSE 3 YEARS, THE PLANS WILL NEED TO BE REACQUIRED FOR APPROVAL, INCLUDING PAYMENT OF REVIEW FEES AT THE PLANNING AND COMMUNITY DEVELOPMENT DIRECTOR'S DISCRETION.

Approved
 By: Elizabeth Nijkamp
 Date: 12/26/2018
 El Paso County Planning & Community Development



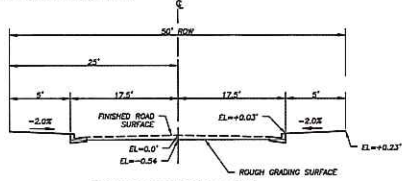
TYPICAL STREET SECTION
 (URBAN LOCAL) - FALLOW LANE
 N.T.S.



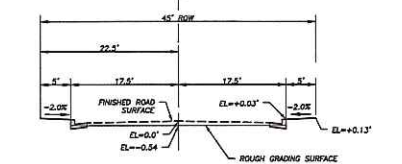
TYPICAL STREET SECTION
 (URBAN LOCAL) - VINEYARD CIR.
 N.T.S.

NOTE:

CROSS SECTIONS SHOWN ARE FOR ROUGH GRADING LIMITS. THIS PRE-DEVELOPMENT GRADING PLAN IS FOR ROUGH GRADING ONLY.



ROUGH GRADING LIMITS
 FALLOW LANE & RUNNING DEER WAY
 N.T.S.



ROUGH GRADING LIMITS
 VINEYARD CIR.
 N.T.S.

SHEET INDEX

1. TITLE SHEET
2. GRADING AND EROSION CONTROL PLAN
3. GRADING AND EROSION CONTROL DETAILS 1 OF 2
4. GRADING AND EROSION CONTROL DETAILS 2 OF 2

SITE DATA:

NAME OF SUBDIVISION: THE GARDENS AT CAREFREE NORTH
 EXISTING ZONING: VACANT
 PROPOSED ZONING: PUD
 PROPOSED USE: SINGLE FAMILY DETACHED RESIDENTIAL
 ACREAGE(S): 11.56 AC
 NUMBER OF UNITS: 71
 DENSITY: 6.14 DU/AC
 BUILDING HEIGHTS: 30' MAX
 LANDSCAPE SETBACKS/BUFFERS:
 NORTH CAREFREE CIRCLE: 25' LANDSCAPE SETBACK
 AERS DRIVE: 15' LANDSCAPE SETBACK
 SOUTH ZONE DISTRICT BOUNDARY: 15' LANDSCAPE BUFFER
 EAST BOUNDARY: 15' LANDSCAPE BUFFER
 LOT BUILDING SETBACKS:
 FRONT: 10' MIN (20' FROM BACK OF SIDEWALK TO FRONT OF GARAGE)
 SIDE: 5' MIN (15' ON CORNER LOTS)
 REAR: 10' MIN.

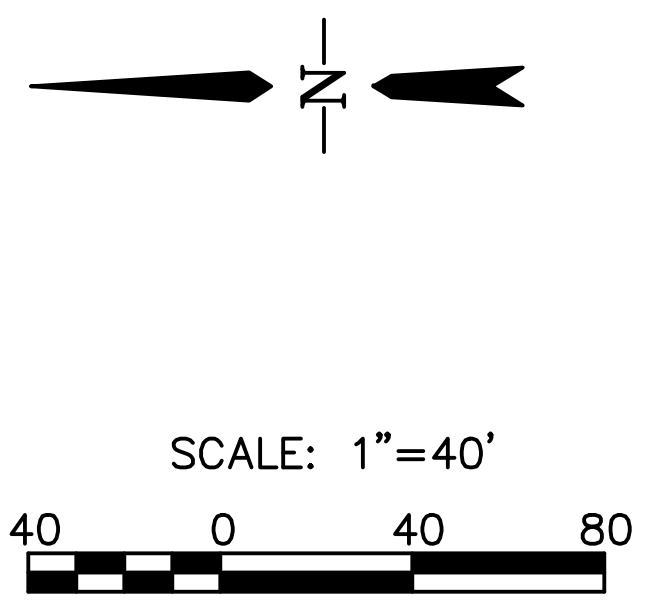
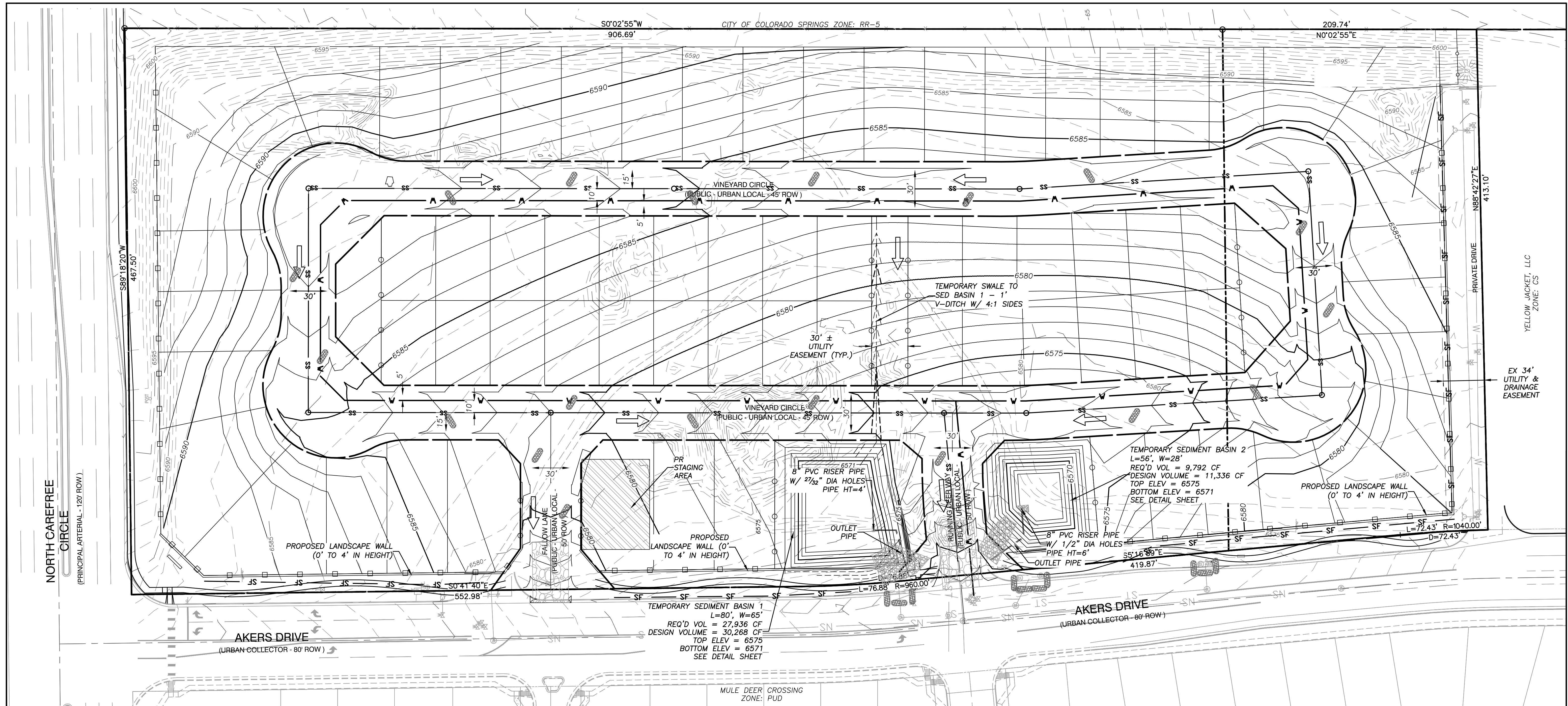
1. COUNTY STANDARD BASE COURSE-REFER TO THE EL PASO COUNTY ENGINEERING CRITERIA MANUAL STANDARD SPECIFICATIONS.
2. SUBGRADE COMPLETED IN ACCORDANCE WITH EL PASO COUNTY STANDARDS.
3. REFER TO COUNTY SUBDIVISION POLICY MANUAL FOR REQUIRED ROW AND STREET WIDTHS AND OTHER STREET SETTINGS.
4. REFER TO EL PASO COUNTY STANDARD DETAILS FOR CURB AND GUTTER.
5. CUL-DE-SAC DESIGN STANDARDS FOR EL PASO COUNTY ENGINEERING CRITERIA MANUAL STANDARD SPECIFICATIONS.

Computer File Information	
Creation Date:	4-25-17 Initials: CMD
Last Modification Date:	Initials:
Full Path & Drawing File Name:	
Acad Ver.:	2014
Scale:	Units: Feet

Index of Revisions	

THE GARDENS AT NORTH CAREFREE PRE-DEVELOPMENT GRADING & EROSION CONTROL PLAN		Project No./Code
		187608744
Designer: CD	Structure	
Detailer: MB	Numbers	
Sheet Subset:		SHEET NUMBER 1

V:\5207\Arch\187608744\44-Mule Deer\CAD\Sheets\GEC-Plan-Sm(01) - Title Sheet.dwg
 2018/12/18 12:12 PM R:\c\Chadson, Chadson



LEGEND

	VEHICLE TRACKING CONTROL
	EXISTING MAJOR CONTOUR
	EXISTING MINOR CONTOUR
	PROPOSED MAJOR CONTOUR
	PROPOSED MINOR CONTOUR
	SILT FENCE
	LIMITS OF CONSTRUCTION/BOUNDARY
	CONCRETE FENCE
	SPLIT RAIL FENCE
	HAY BALE/WOGGLE
	FLOW ARROW

Computer File Information	
Creation Date: 4-25-17	Initials: CMD
Last Modification Date: 11/15/2018	Initials: CDURHAM
Full Path & Drawing File Name: 02 - Grading Plan.dwg	
Acad Ver. 2014	Scale: N/A Units: Feet

Index of Revisions	
0000	
0000	
0000	
0000	

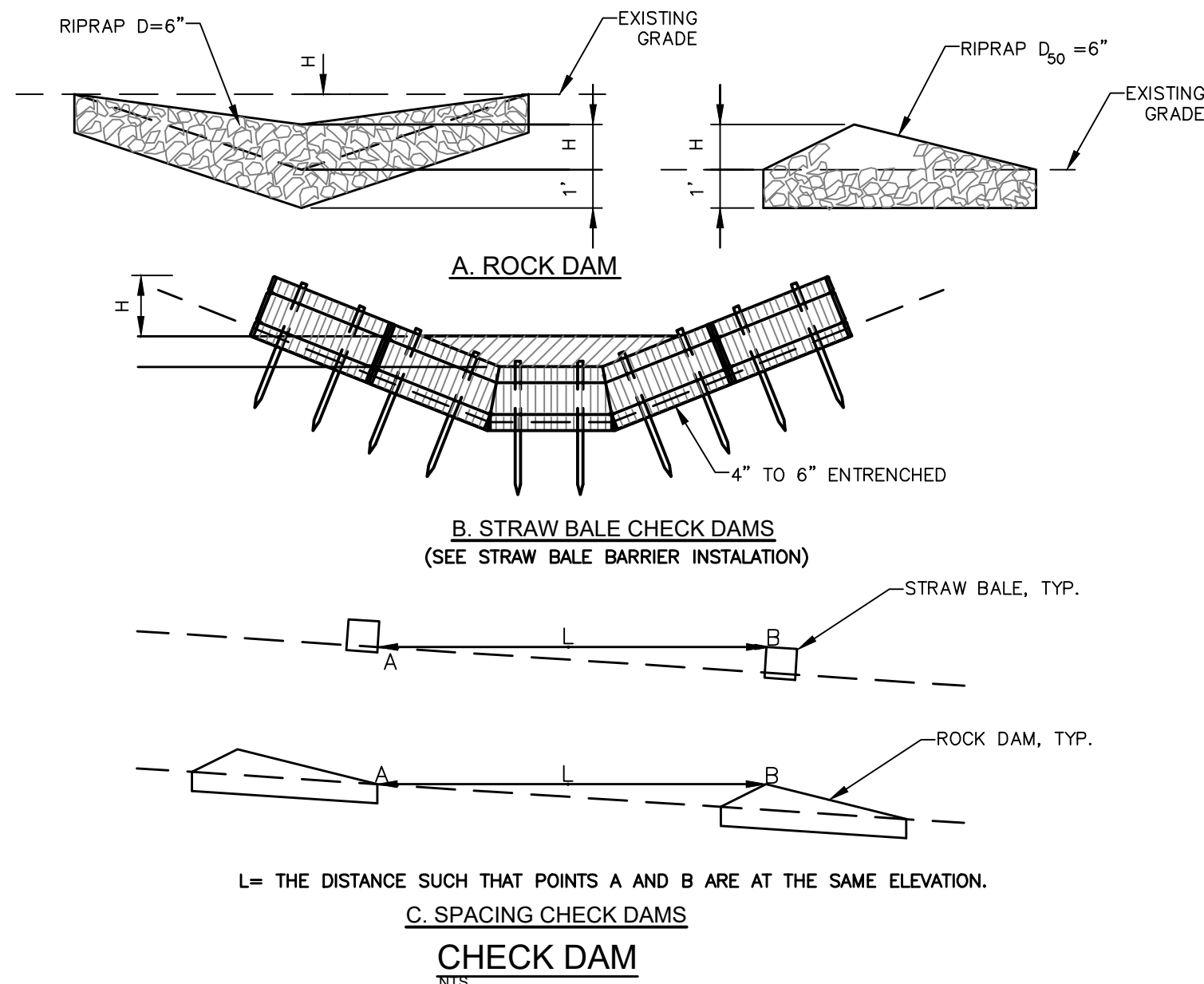
Stantec Consulting Inc.
1110 Elton Drive
Suite B
Colorado Springs, CO 80907
Tel. (719) 432-6889
Fax.
www.stantec.com

THE GARDENS AT NORTH CAREFREE PRE-DEVELOPMENT GRADING & EROSION CONTROL PLAN		
Designer: BG	Structure Numbers	
Detailer: PF		
Sheet Subset: GENERAL		

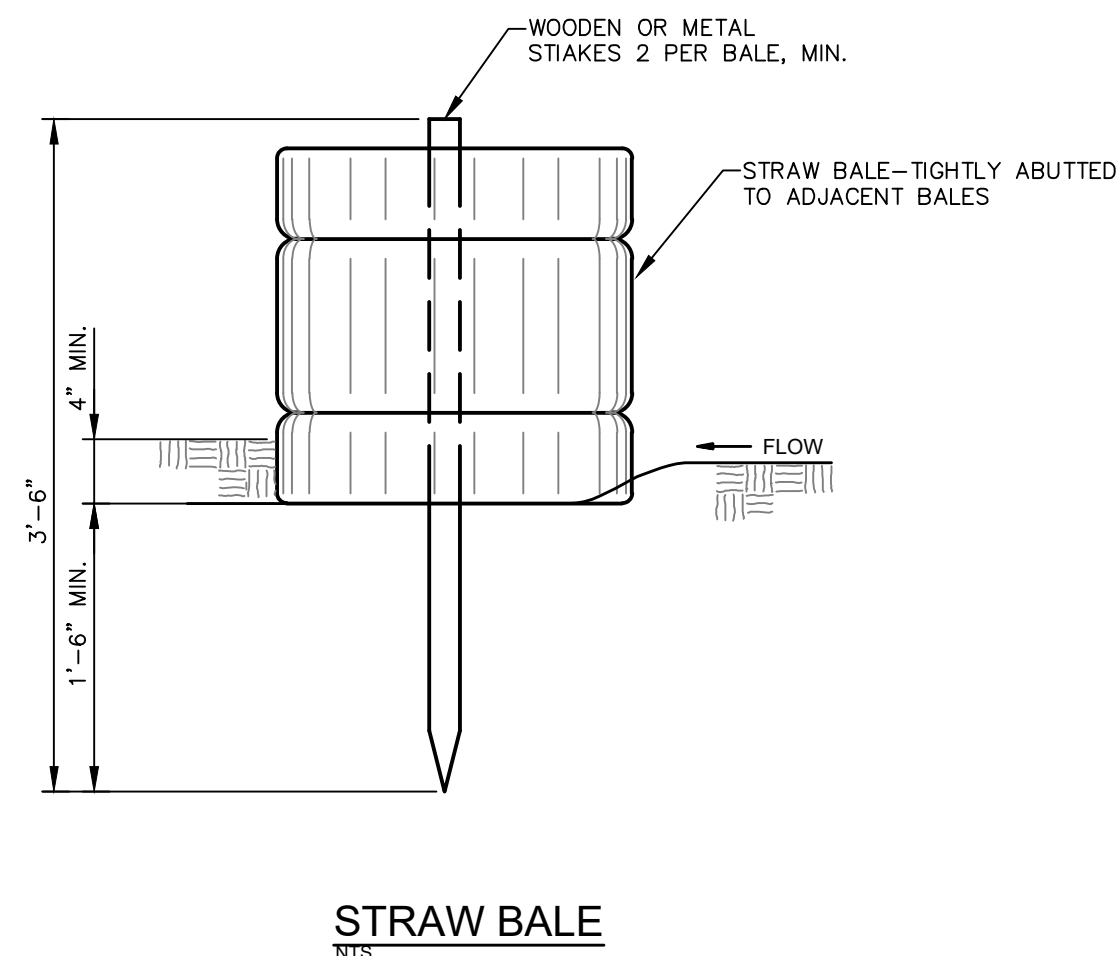
Project No./Code
187608744
Sheet Number
2

2018/11/15 4:02 PM By: Durham, Charlene

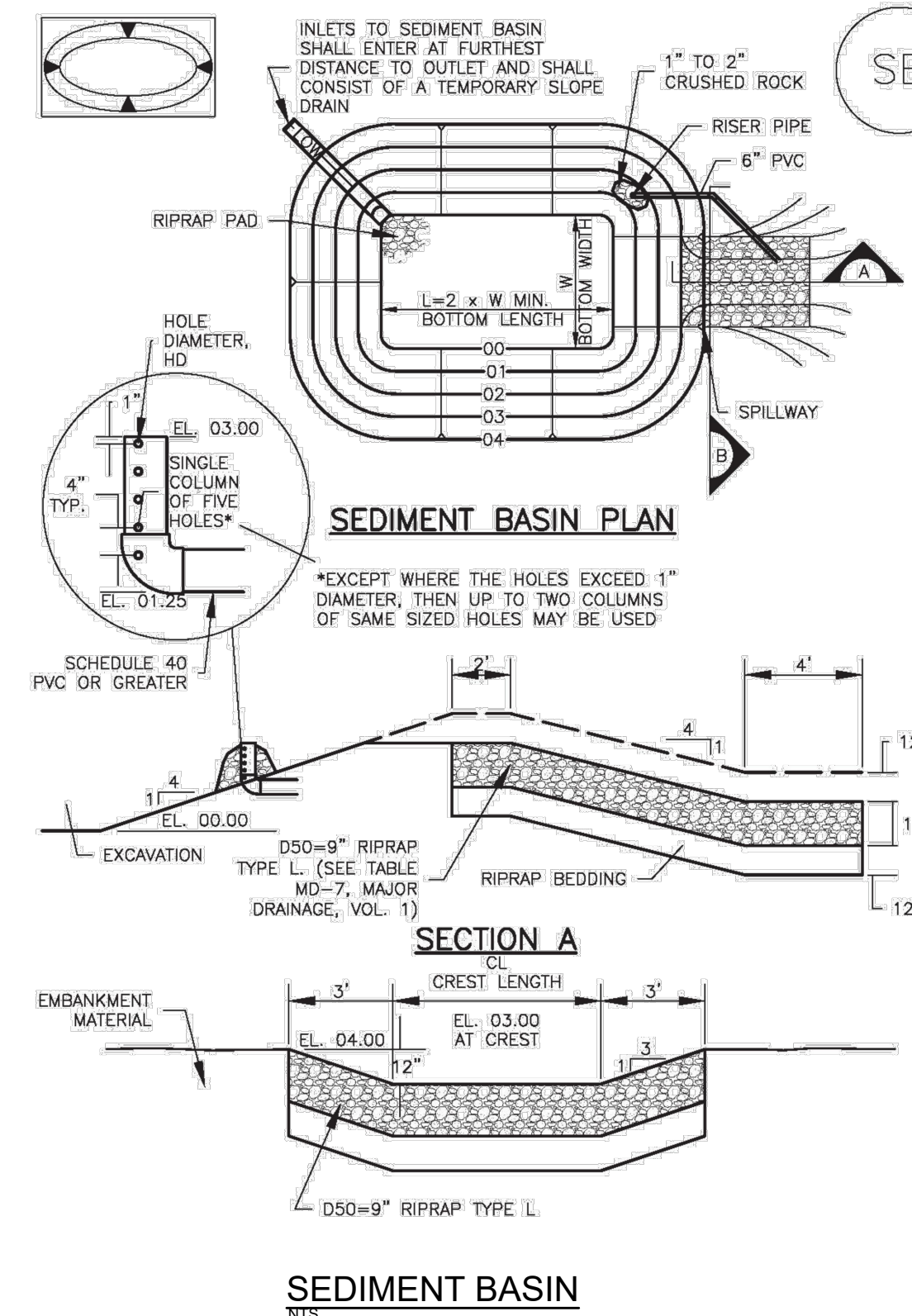
PRE-DEVELOPMENT GRADING AND EROSION CONTROL NOTES AND DETAILS



- CHECK DAM NOTES**
- INSTALLATION REQUIREMENTS**
- STRAW BALES USED AS CHECK DAMS ARE TO MEET THE REQUIREMENTS STATED IN FIGURE SBB-2.
 - THE "H" DIMENSION SHALL BE SELECTED TO PROVIDE WEIR FLOW CONVEYANCE FOR 2-YEAR FLOW OR GREATER.
- MAINTENANCE REQUIREMENTS**
- REGULAR INSPECTIONS ARE TO BE MADE OF ALL CHECK DAMS, ESPECIALLY AFTER STORM EVENTS.
 - REPLACE STONE AS NECESSARY TO MAINTAIN THE CORRECT HEIGHT OF THE DAM.
 - ACCUMULATED SEDIMENT AND DEBRIS IS TO BE REMOVED FROM BEHIND THE DAMS AFTER EACH STORM OR WHEN 1/2 OF THE ORIGINAL HEIGHT OF THE DAM IS REACHED.
 - CHECK DAMS ARE TO REMAIN IN PLACE AND OPERATIONAL UNTIL THE DRAINAGE AREA AND CHANNEL ARE PERMANENTLY STABILIZED.
 - WHEN CHECK DAMS ARE REMOVED THE CHANNEL LINING OR VEGETATION IS TO BE RESTORED.



- STRAW BALE BARRIER NOTES**
- MAINTENANCE REQUIREMENTS**
- CONTRACTOR SHALL INSPECT STRAW BALE BARRIERS IMMEDIATELY AFTER EACH RAINFALL, AT LEAST DAILY DURING PROLONGED RAINFALL, AND WEEKLY DURING PERIODS NO RAINFALL.
 - DAMAGED OR INEFFECTIVE BARRIERS SHALL PROMPTLY BE REPAIRED, REPLACING BALES IF NECESSARY, AND UNENTRENCHED BALES NEED TO BE REPAIRED WITH COMPACTED BACKFILL MATERIAL.
 - SEDIMENT SHALL BE REMOVED FROM BEHIND STRAW BALE BARRIERS WHEN IT ACCUMULATES TO APPROXIMATELY 1/2 THE HEIGHT OF THE BARRIER.
 - STRAW BALE BARRIERS SHALL BE REMOVED WHEN ADEQUATE VEGETATIVE COVER IS ATTAINED AS APPROVED BY THE CITY.
- STRAW BALE BARRIERS SHALL BE INSTALLED PRIOR TO ANY LAND DISTURBING ACTIVITIES.
 - BALES SHALL CONSIST OF APPROXIMATELY 5 CUBIC FEET OF CERTIFIED WEED FREE HAY OR STRAW AND WEIGH NOT LESS THAN 35 POUNDS.
 - BALES ARE TO BE PLACED IN A SINGLE ROW WITH THE END OF THE BALES TIGHTLY ABUTTING ONE ANOTHER.
 - EACH BALE IS TO BE SECURELY ANCHORED WITH AT LEAST TWO STAKES AND THE FIRST STAKE IS TO BE DRIVEN TOWARD THE PREVIOUSLY LAID BALE TO FORCE THE BALES TOGETHER.
 - STAKES ARE TO BE A MINIMUM OF 42 INCHES LONG. METAL STAKES SHALL BE STANDARD "T" OR "U" TYPE WITH MINIMUM WEIGHT OF 1.33 POUNDS PER LINEAR FOOT. WOOD STAKES SHALL HAVE A MINIMUM DIAMETER OR CROSS SECTION DIMENSION OF 2 INCHES.
 - BALES ARE TO BE BOUND WITH EITHER WIRE OR STRING AND ORIENTED SUCH THAT THE BINDINGS ARE AROUND THE SIDES AND NOT ALONG THE TOPS AND BOTTOMS OF THE BALE.
 - GAPS BETWEEN BALES ARE TO BE CHINKED (FILLED BY WEDGING) WITH STRAW OR THE SAME MATERIAL OF THE BALE.
 - END BALES ARE TO EXTEND UPSLOPE SO THE TRAPPED RUNOFF CANNOT FLOW AROUND THE ENDS OF THE BARRIER.



SEDIMENT BASIN NOTES

TABLE SB-1. SIZING INFORMATION FOR STANDARD SEDIMENT BASIN

Upstream Drainage Area (rounded to nearest acrs), (ac)	Basin Bottom Width (W), (ft)	Spillway Crest Length (CL), (ft)	Hole Diameter (HD), (in)
1	12 1/2	2	3/32
2	21	3	1/16
3	28	5	1/8
4	33 1/2	6	3/16
5	38 1/2	8	1/4
6	43	9	5/16
7	47 1/2	11	3/8
8	51	12	7/16
9	55	13	1/2
10	58 1/2	15	5/8
11	61	16	3/4
12	64	18	7/8
13	67 1/2	19	1 1/8
14	70 1/2	21	1 1/4
15	73 1/2	22	1 5/8

SEDIMENT BASIN INSTALLATION NOTES

- SEE PLAN VIEW FOR:
 - LOCATION OF SEDIMENT BASIN.
 - TYPE OF BASIN (STANDARD BASIN OR NONSTANDARD BASIN).
 - FOR STANDARD BASIN, BOTTOM WIDTH W, CREST LENGTH CL, AND HOLE DIAMETER, HD.
 - FOR NONSTANDARD BASIN, SEE CONSTRUCTION DRAWINGS FOR DESIGN OF BASIN INCLUDING RISER HEIGHT H, NUMBER OF COLUMNS N, HOLE DIAMETER HD AND PIPE DIAMETER D.
- FOR STANDARD BASIN, BOTTOM DIMENSION MAY BE MODIFIED AS LONG AS BOTTOM AREA IS NOT REDUCED.
- SEDIMENT BASINS SHALL BE INSTALLED PRIOR TO ANY OTHER LAND-DISTURBING ACTIVITY THAT RELIES ON BASINS AS A STORMWATER CONTROL.
- EMBANKMENT MATERIAL SHALL CONSIST OF SOIL FREE OF DEBRIS, ORGANIC MATERIAL, AND ROCKS OR CONCRETE GREATER THAN 3 INCHES AND SHALL HAVE A MINIMUM OF 15 PERCENT BY WEIGHT PASSING THE NO. 200 SIEVE.
- EMBANKMENT MATERIAL SHALL BE COMPACTED TO AT LEAST 95 PERCENT OF MAXIMUM DENSITY IN ACCORDANCE WITH ASTM D698.
- PIPE SCH 40 OR GREATER SHALL BE USED.
- THE DETAILS SHOWN ON THESE SHEETS PERTAIN TO STANDARD SEDIMENT BASIN(S) FOR DRAINAGE AREAS LESS THAN 15 ACRES. SEE CONSTRUCTION DRAWINGS FOR EMBANKMENT, STORAGE VOLUME, SPILLWAY, OUTLET, AND OUTLET PROTECTION DETAILS FOR ANY SEDIMENT BASIN(S) THAT HAVE BEEN INDIVIDUALLY DESIGNED FOR DRAINAGE AREAS LARGER THAN 15 ACRES.

SEDIMENT BASIN MAINTENANCE NOTES

- INSPECT BMPs EACH WORKDAY, AND MAINTAIN THEM IN EFFECTIVE OPERATING CONDITION. MAINTENANCE OF BMPs SHOULD BE PROACTIVE, NOT REACTIVE. INSPECT BMPs AS SOON AS POSSIBLE (AND ALWAYS WITHIN 24 HOURS) FOLLOWING A STORM THAT CAUSES SURFACE EROSION, AND PERFORM NECESSARY MAINTENANCE.
- FREQUENT OBSERVATIONS AND MAINTENANCE ARE NECESSARY TO MAINTAIN BMPs IN EFFECTIVE OPERATING CONDITION. INSPECTIONS AND CORRECTIVE MEASURES SHOULD BE DOCUMENTED THOROUGHLY.
- WHERE BMPs HAVE FAILED, REPAIR OR REPLACEMENT SHOULD BE INITIATED UPON DISCOVERY OF THE FAILURE.
- SEDIMENT ACCUMULATED IN BASIN SHALL BE REMOVED AS NEEDED TO MAINTAIN BMP EFFECTIVENESS, TYPICALLY WHEN SEDIMENT DEPTH REACHES ONE FOOT (I.E., TWO FEET BELOW THE SPILLWAY CREST).
- SEDIMENT BASINS ARE TO REMAIN IN PLACE UNTIL THE UPSTREAM DISTURBED AREA IS STABILIZED AND GRASS COVER IS ACCEPTED BY THE LOCAL JURISDICTION.
- WHEN SEDIMENT BASINS ARE REMOVED, ALL DISTURBED AREAS SHALL BE COVERED WITH TOPSOIL, SEEDED AND MULCHED OR OTHERWISE STABILIZED AS APPROVED BY LOCAL JURISDICTION.

(DETAILS ADAPTED FROM DOUGLAS COUNTY, COLORADO)

NOTE: MANY JURISDICTIONS HAVE BMP DETAILS THAT VARY FROM UDFCD STANDARD DETAILS. CONSULT WITH LOCAL JURISDICTIONS AS TO WHICH DETAIL SHOULD BE USED WHEN DIFFERENCES ARE NOTED.

Computer File Information

Creation Date: 4-25-17 Initials: CMD
Last Modification Date: 10/4/2018 Initials: CDURHAM
Full Path & Drawing File Name: 03-04 - Grading and Erosion Details 1.dwg
Acad Ver. 2014 Scale: N/A Units: Feet

Index of Revisions

NO.	DATE	DESCRIPTION

Stantec
Stantec Consulting Inc.
1110 Elkton Drive
Suite B
Colorado Springs, CO 80907
Tel. (719) 432-6889
Fax.
www.stantec.com

THE GARDENS AT NORTH CAREFREE PRE-DEVELOPMENT GRADING & EROSION CONTROL DETAILS

Designer: BG
Detailer: PF
Sheet Subset: GENERAL

Project No./Code
187608744

Sheet Number 4 of 4

V:\52876\active\187608744-Mule Deer\CAD\Sheets\GEC Plan Set\03-04 - Grading and Erosion Details 1.dwg
2018/10/08 9:29 AM By: Durham, Charlene

**STANDARD NOTES FOR EL PASO COUNTY
GRADING AND EROSION CONTROL PLANS**

REVISED 7/07/10

- CONSTRUCTION MAY NOT COMMENCE UNTIL A CONSTRUCTION PERMIT IS OBTAINED FROM PLANNING COMMUNITY DEVELOPMENT (PCD) SERVICES AND A PRECONSTRUCTION CONFERENCE IS HELD WITH PCD INSPECTIONS.
- STORMWATER DISCHARGES FROM CONSTRUCTION SITES SHALL NOT CAUSE OR THREATEN TO CAUSE POLLUTION, CONTAMINATION, OR DEGRADATION OF STATE WATERS. ALL WORK AND EARTH DISTURBANCE SHALL BE DONE IN A MANNER THAT MINIMIZES POLLUTION OF ANY ON-SITE OR OFF-SITE WATERS, INCLUDING WETLANDS.
- NOTWITHSTANDING ANYTHING DEPICTED IN THESE PLANS IN WORDS OR GRAPHIC REPRESENTATION, ALL DESIGN AND CONSTRUCTION RELATED TO ROADS, STORM DRAINAGE AND EROSION CONTROL SHALL CONFORM TO THE STANDARDS AND REQUIREMENTS OF THE MOST RECENT VERSION OF THE RELEVANT ADOPTED EL PASO COUNTY STANDARDS, INCLUDING THE LAND DEVELOPMENT CODE, THE ENGINEERING CRITERIA MANUAL, THE DRAINAGE CRITERIA MANUAL, AND THE DRAINAGE CRITERIA MANUAL VOLUME 2. ANY DEVIATIONS TO REGULATIONS AND STANDARDS MUST BE REQUESTED, AND APPROVED, IN WRITING.
- A SEPARATE STORMWATER MANAGEMENT PLAN (SWMP) FOR THIS PROJECT SHALL BE COMPLETED AND AN EROSION AND STORMWATER QUALITY CONTROL PERMIT (ESQCP) ISSUED PRIOR TO COMMENCING CONSTRUCTION. DURING CONSTRUCTION THE SWMP IS THE RESPONSIBILITY OF THE DESIGNATED STORMWATER MANAGER, SHALL BE LOCATED ON SITE AT ALL TIMES AND SHALL BE KEPT UP TO DATE WITH WORK PROGRESS AND CHANGES IN THE FIELD.
- ONCE THE ESQCP HAS BEEN ISSUED, THE CONTRACTOR MAY INSTALL THE INITIAL STAGE EROSION AND SEDIMENT CONTROL BMPs AS INDICATED ON THE GEC. A PRECONSTRUCTION MEETING BETWEEN THE CONTRACTOR, ENGINEER, AND EL PASO COUNTY WILL BE HELD PRIOR TO ANY CONSTRUCTION. IT IS THE RESPONSIBILITY OF THE APPLICANT TO COORDINATE THE MEETING TIME AND PLACE WITH COUNTY DSD INSPECTIONS STAFF.
- SOIL EROSION CONTROL MEASURES FOR ALL SLOPES, CHANNELS, DITCHES, OR ANY DISTURBED LAND AREA SHALL BE COMPLETED WITHIN 21 CALENDAR DAYS AFTER FINAL GRADING, OR FINAL EARTH DISTURBANCE HAS BEEN COMPLETED. DISTURBED AREAS AND STOCKPILES WHICH ARE NOT AT FINAL GRADE BUT WILL REMAIN DORMANT FOR LONGER THAN 30 DAYS SHALL ALSO BE MULCHED WITHIN 21 DAYS AFTER INTERIM GRADING. AN AREA THAT IS GOING TO REMAIN IN AN INTERIM STATE FOR MORE THAN 60 DAYS SHALL ALSO BE SEEDDED. ALL TEMPORARY SOIL EROSION CONTROL MEASURES AND BMPs SHALL BE MAINTAINED UNTIL PERMANENT SOIL EROSION CONTROL MEASURES ARE IMPLEMENTED AND ESTABLISHED.
- TEMPORARY SOIL EROSION CONTROL FACILITIES SHALL BE REMOVED AND EARTH DISTURBANCE AREAS GRADED AND STABILIZED WITH PERMANENT SOIL EROSION CONTROL MEASURES PURSUANT TO STANDARDS AND SPECIFICATION PRESCRIBED IN THE DCM VOLUME II AND THE ENGINEERING CRITERIA MANUAL (ECM) APPENDIX I.
- ALL PERSONS ENGAGED IN EARTH DISTURBANCE SHALL IMPLEMENT AND MAINTAIN ACCEPTABLE SOIL EROSION AND SEDIMENT CONTROL MEASURES INCLUDING BMPs IN CONFORMANCE WITH THE EROSION CONTROL TECHNICAL STANDARDS OF THE DRAINAGE CRITERIA MANUAL (DCM) VOLUME II AND IN ACCORDANCE WITH THE STORMWATER MANAGEMENT PLAN (SWMP).
- ALL TEMPORARY EROSION CONTROL FACILITIES INCLUDING BMPs AND ALL PERMANENT FACILITIES INTENDED TO CONTROL EROSION OF ANY EARTH DISTURBANCE OPERATIONS, SHALL BE INSTALLED AS DEFINED IN THE APPROVED PLANS, THE SWMP AND THE DCM VOLUME II AND MAINTAINED THROUGHOUT THE DURATION OF THE EARTH DISTURBANCE OPERATION.
- ANY EARTH DISTURBANCE SHALL BE CONDUCTED IN SUCH A MANNER SO AS TO EFFECTIVELY REDUCE ACCELERATED SOIL EROSION AND RESULTING SEDIMENTATION. ALL DISTURBANCES SHALL BE DESIGNED, CONSTRUCTED, AND COMPLETED SO THAT THE EXPOSED AREA OF ANY DISTURBED LAND SHALL BE LIMITED TO THE SHORTEST PRACTICAL PERIOD OF TIME.
- ANY TEMPORARY OR PERMANENT FACILITY DESIGNED AND CONSTRUCTED FOR THE CONVEYANCE OF STORMWATER AROUND, THROUGH, OR FROM THE EARTH DISTURBANCE AREA SHALL BE DESIGNED TO LIMIT THE DISCHARGE TO A NON-EROSIVE VELOCITY.
- CONCRETE WASH WATER SHALL BE CONTAINED AND DISPOSED OF IN ACCORDANCE WITH THE SWMP. NO WASH WATER SHALL BE DISCHARGED TO OR ALLOWED TO RUNOFF TO STATE WATERS, INCLUDING ANY SURFACE OR SUBSURFACE STORM DRAINAGE SYSTEM OR FACILITIES.
- EROSION CONTROL BLANKETING IS TO BE USED ON SLOPES STEEPER THAN 3:1.
- BUILDING, CONSTRUCTION, EXCAVATION, OR OTHER WASTE MATERIALS SHALL NOT BE TEMPORARILY PLACED OR STORED IN THE STREET, ALLEY, OR OTHER PUBLIC WAY, UNLESS IN ACCORDANCE WITH AN APPROVED TRAFFIC CONTROL PLAN. BMP'S MAY BE REQUIRED BY EL PASO COUNTY ENGINEERING IF DEEMED NECESSARY, BASED ON SPECIFIC CONDITIONS AND CIRCUMSTANCES.
- VEHICLE TRACKING OF SOILS AND CONSTRUCTION DEBRIS OFF-SITE SHALL BE MINIMIZED. MATERIALS TRACKED OFFSITE SHALL BE CLEANED UP AND PROPERLY DISPOSED OF IMMEDIATELY.
- CONTRACTOR SHALL BE RESPONSIBLE FOR THE REMOVAL OF ALL WASTES FROM THE CONSTRUCTION SITE FOR DISPOSAL IN ACCORDANCE WITH LOCAL AND STATE REGULATORY REQUIREMENTS. NO CONSTRUCTION DEBRIS, TREE SLASH, BUILDING MATERIAL WASTES OR UNUSED BUILDING MATERIALS SHALL BE BURIED, DUMPED, OR DISCHARGED AT THE SITE.
- THE OWNER, SITE DEVELOPER, CONTRACTOR, AND/OR THEIR AUTHORIZED AGENTS SHALL BE RESPONSIBLE FOR THE REMOVAL OF ALL CONSTRUCTION DEBRIS, DIRT, TRASH, ROCK, SEDIMENT, AND SAND THAT MAY ACCUMULATE IN THE STORM SEWER OR OTHER DRAINAGE CONVEYANCE SYSTEM AND STORMWATER APPURTENANCES AS A RESULT OF SITE DEVELOPMENT.
- THE QUANTITY OF MATERIALS STORED ON THE PROJECT SITE SHALL BE LIMITED, AS MUCH AS PRACTICAL, TO THAT QUANTITY REQUIRED TO PERFORM THE WORK IN AN ORDERLY SEQUENCE. ALL MATERIALS STORED ON-SITE SHALL BE STORED IN A NEAT, ORDERLY MANNER, IN THEIR ORIGINAL CONTAINERS, WITH ORIGINAL MANUFACTURER'S LABELS.
- NO CHEMICALS ARE TO BE USED BY THE CONTRACTOR, WHICH HAVE THE POTENTIAL TO BE RELEASED IN STORMWATER UNLESS PERMISSION FOR THE USE OF A SPECIFIC CHEMICAL IS GRANTED IN WRITING BY THE ECM ADMINISTRATOR. IN GRANTING THE USE OF SUCH CHEMICALS, SPECIAL CONDITIONS AND MONITORING MAY BE REQUIRED.
- BULK STORAGE STRUCTURES FOR PETROLEUM PRODUCTS AND OTHER CHEMICALS SHALL HAVE ADEQUATE PROTECTION SO AS TO CONTAIN ALL SPILLS AND PREVENT ANY SPILLED MATERIAL FROM ENTERING STATE WATERS, INCLUDING ANY SURFACE OR SUBSURFACE STORM DRAINAGE SYSTEM OR FACILITIES.
- NO PERSON SHALL CAUSE THE IMPEDIMENT OF STORMWATER FLOW IN THE FLOW LINE OF THE CURB AND GUTTER OR IN THE DITCHLINE.
- INDIVIDUALS SHALL COMPLY WITH THE "COLORADO WATER QUALITY CONTROL ACT" (TITLE 25, ARTICLE 8, CRS), AND THE "CLEAN WATER ACT" (33 USC 1344), IN ADDITION TO THE REQUIREMENTS INCLUDED IN THE DCM VOLUME II AND THE ECM APPENDIX I. ALL APPROPRIATE PERMITS MUST BE OBTAINED BY THE CONTRACTOR PRIOR TO CONSTRUCTION (NPDES, FLOODPLAIN, 404, FUGITIVE DUST, ETC.). IN THE EVENT OF CONFLICTS BETWEEN THESE REQUIREMENTS AND LAWS, RULES, OR REGULATIONS OF OTHER FEDERAL, STATE, OR COUNTY AGENCIES, THE MORE RESTRICTIVE LAWS, RULES, OR REGULATIONS SHALL APPLY.
- ALL CONSTRUCTION TRAFFIC MUST ENTER/EXIT THE SITE AT APPROVED CONSTRUCTION ACCESS POINTS.
- PRIOR TO ACTUAL CONSTRUCTION THE PERMITEE SHALL VERIFY THE LOCATION OF EXISTING UTILITIES.
- A WATER SOURCE SHALL BE AVAILABLE ON SITE DURING EARTHWORK OPERATIONS AND UTILIZED AS REQUIRED TO MINIMIZE DUST FROM EARTHWORK EQUIPMENT AND WIND.
- THE SOILS REPORT FOR THIS SITE HAS BEEN PREPARED BY KUMAR AND ASSOCIATES AND SHALL BE CONSIDERED A PART OF THESE PLANS.
- AT LEAST TEN DAYS PRIOR TO THE ANTICIPATED START OF CONSTRUCTION, FOR PROJECTS THAT WILL DISTURB 1 ACRE OR MORE, THE OWNER OR OPERATOR OF CONSTRUCTION ACTIVITY SHALL SUBMIT A PERMIT APPLICATION FOR STORMWATER DISCHARGE TO THE COLORADO DEPARTMENT OF PUBLIC HEALTH AND ENVIRONMENT, WATER QUALITY DIVISION. THE APPLICATION CONTAINS CERTIFICATION OF COMPLETION OF A STORMWATER MANAGEMENT PLAN (SWMP), OF WHICH THIS GRADING AND EROSION CONTROL PLAN MAY BE A PART. FOR INFORMATION OR APPLICATION MATERIALS CONTACT:

COLORADO DEPARTMENT OF PUBLIC HEALTH AND ENVIRONMENT
WATER QUALITY CONTROL DIVISION
WOOD - PERMITS
4300 CHERRY CREEK DRIVE SOUTH
DENVER, CO 80246-1530
ATTN: PERMITS UNIT

**PRE-DEVELOPMENT GRADING AND
EROSION CONTROL
NOTES AND DETAILS**

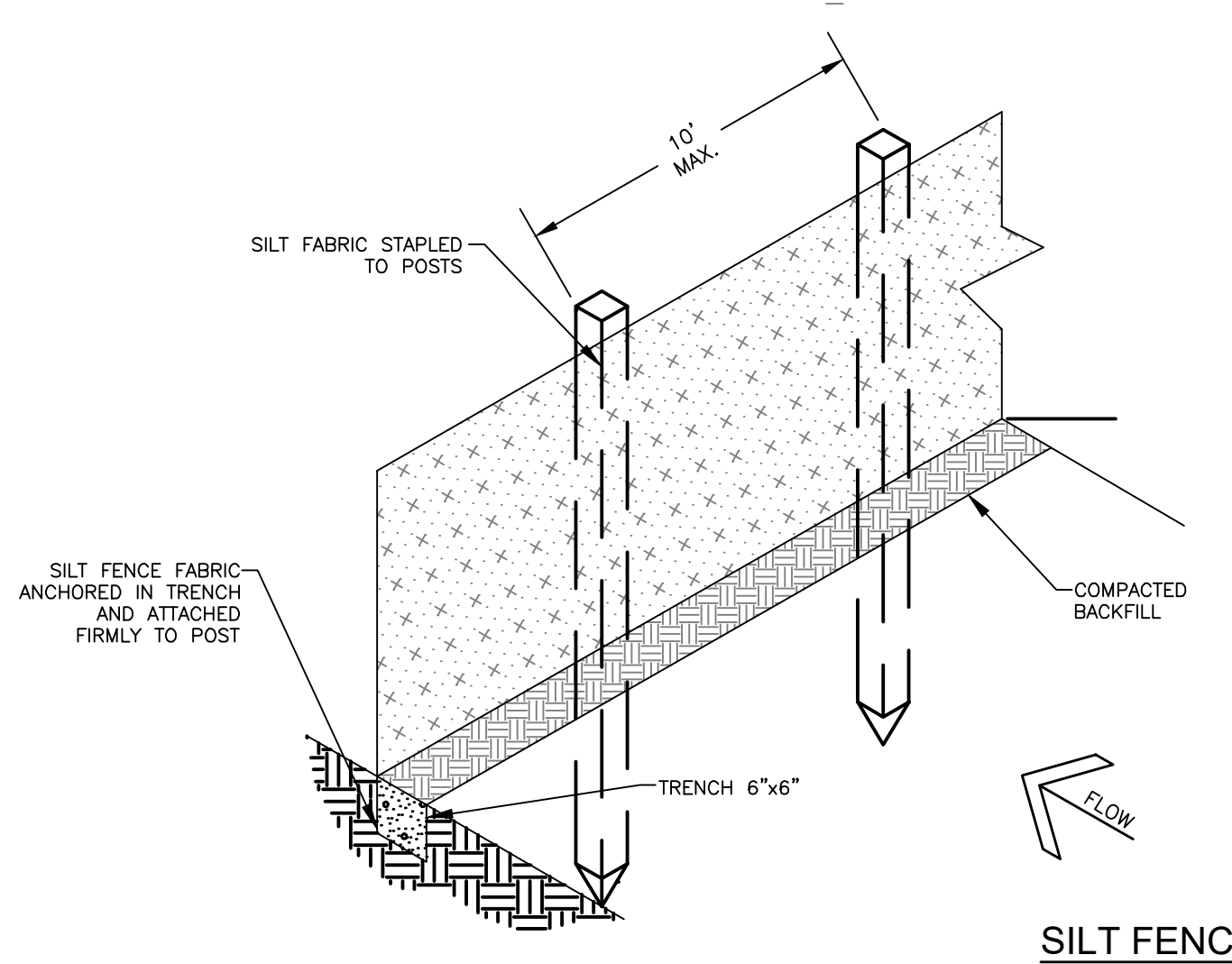
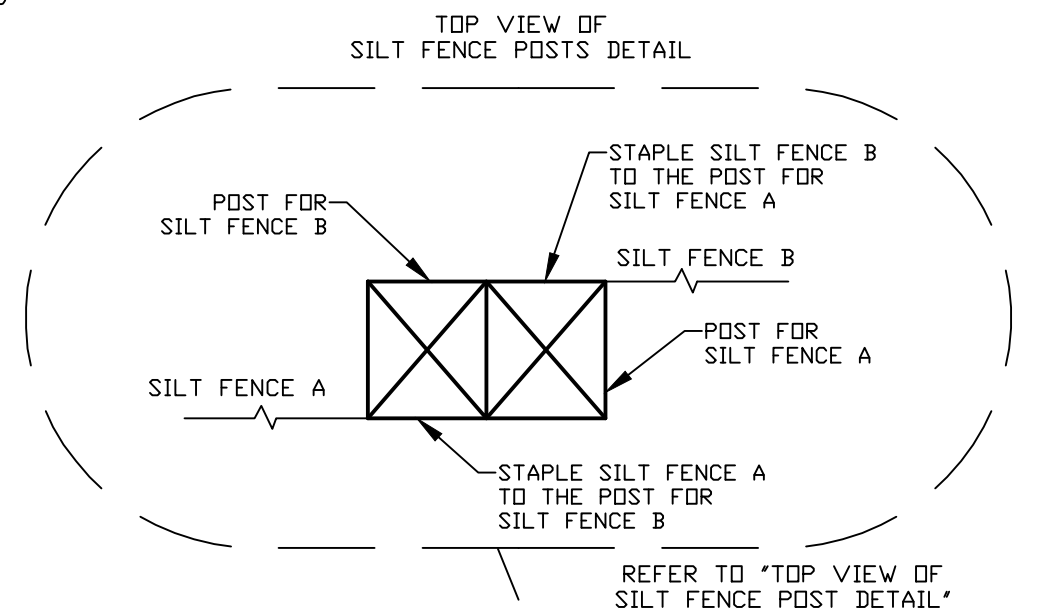
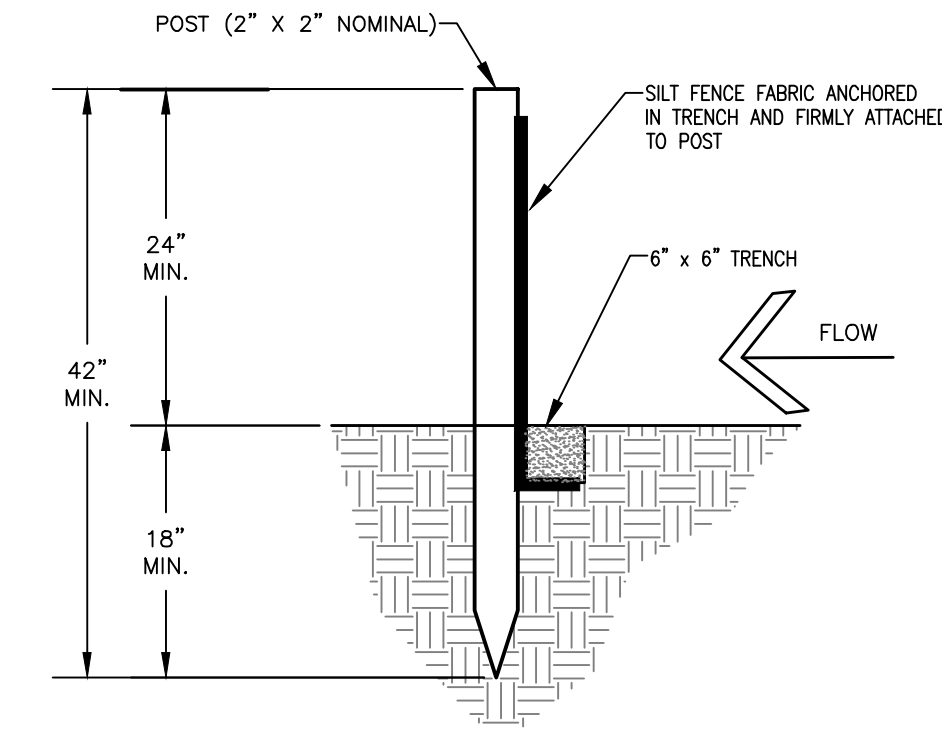
SILT FENCE NOTES:

INSTALLATION REQUIREMENTS

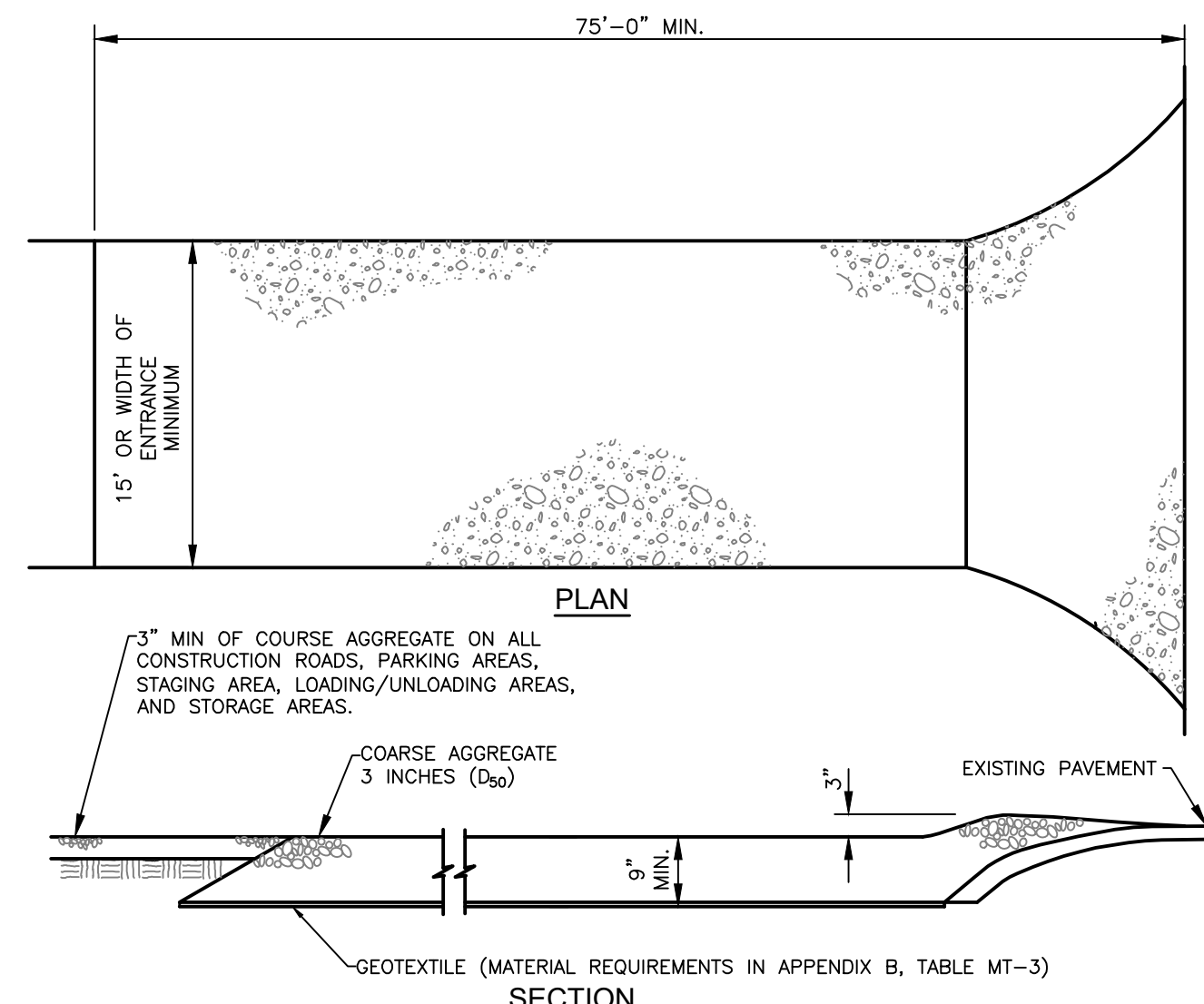
- SILT FENCES SHALL BE INSTALLED PRIOR TO ANY LAND DISTURBING ACTIVITIES.
- WHEN JOINTS ARE NECESSARY, SILT FENCE GEOTEXTILE SHALL BE SPLICED TOGETHER ONLY AT SUPPORT POST AND SECURELY SEALED.
- METAL POSTS SHALL BE "STUDDED TEE" OR "U" TYPE WITH MINIMUM WEIGHT OF 1.33 POUNDS PER LINEAR FOOT. WOOD POSTS SHALL HAVE A MINIMUM DIAMETER OR CROSS SECTION DIMENSION OF 2 INCHES.
- THE FILTER MATERIAL SHALL BE FASTENED SECURELY TO METAL OR WOOD POSTS USING WIRE TIES, OR TO WOOD POSTS WITH 3/4" LONG #9 HEAVY-DUTY STAPLES. THE SILT FENCE GEOTEXTILE SHALL NOT BE STAPLED TO EXISTING TREES.
- WHILE NOT REQUIRED, WIRE MESH FENCE MAY BE USED TO SUPPORT THE GEOTEXTILE. WIRE FENCE SHALL BE FASTENED SECURELY TO THE UPSLOPE SIDE OF THE POSTS USING HEAVY-DUTY WIRE STAPLES AT LEAST 3/4" LONG, TIE WIRES OR HOG RINGS. THE WIRE SHALL EXTEND INTO THE TRENCH A MINIMUM OF 6" AND SHALL NOT EXTEND MORE THAN 3' ABOVE THE ORIGINAL GROUND SURFACE.
- ALONG THE TOE OF FILLS, INSTALL THE SILT FENCE ALONG A LEVEL CONTOUR AND PROVIDE AN AREA BEHIND THE FENCE FOR RUNOFF TO POND AND SEDIMENT TO SETTLE. A MINIMUM DISTANCE OF 5 FEET FROM THE TOE OF THE FILL IS RECOMMENDED.
- THE HEIGHT OF THE SILT FENCE FROM THE GROUND SURFACE SHALL BE MINIMUM OF 24 INCHES AND SHALL NOT EXCEED 36 INCHES; HIGHER FENCES MAY IMPOUND VOLUMES OF WATER SUFFICIENT TO CAUSE FAILURE OF THE STRUCTURE.

MAINTENANCE REQUIREMENTS

- CONTRACTOR SHALL INSPECT SILT FENCES IMMEDIATELY AFTER EACH RAINFALL, AT LEAST DAILY DURING PROLONGED RAINFALL AND WEEKLY DURING PERIODS OF NO RAINFALL. DAMAGED, COLLAPSED, UNENTRENCHED OR INEFFECTIVE SILT FENCES SHALL BE PROMPTLY REPAIRED OR REPLACED.
- SEDIMENT SHALL BE REMOVED FROM BEHIND SILT FENCE WHEN IT ACCUMULATES TO HALF THE EXPOSED GEOTEXTILE HEIGHT.
- SILT FENCES SHALL BE REMOVED WHEN ADEQUATE VEGETATIVE COVER IS ATTAINED AS APPROVED BY THE CITY.



SILT FENCE



VEHICLE TRACKING

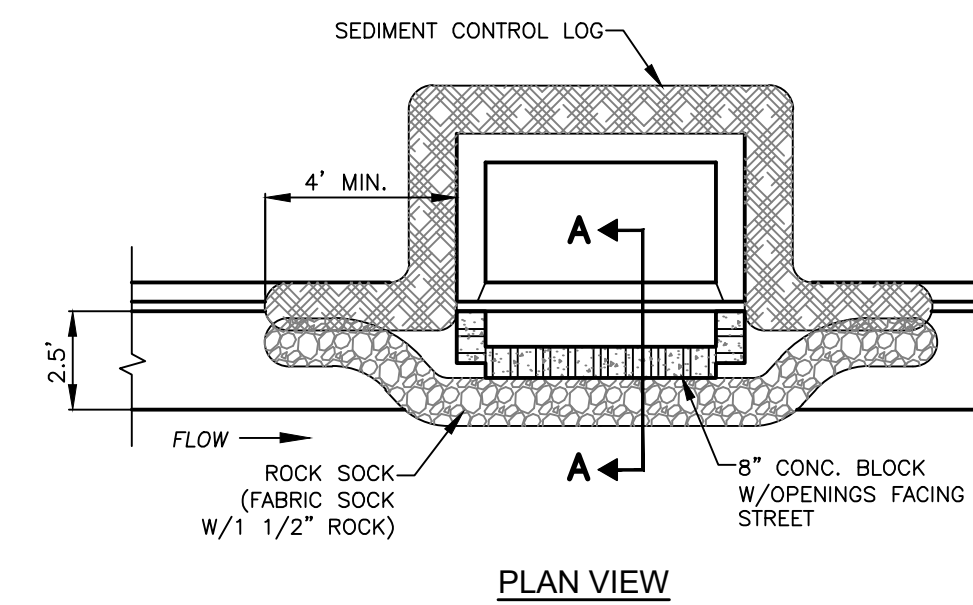
VEHICLE TRACKING NOTES

INSTALLATION REQUIREMENTS

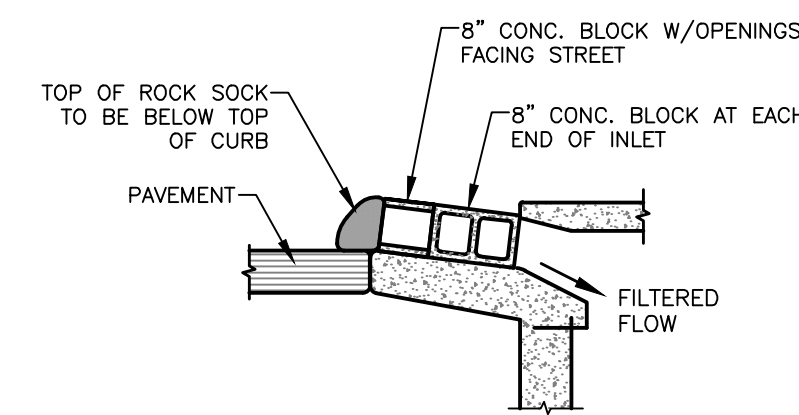
- ALL ENTRANCES TO THE CONSTRUCTION SITE ARE TO BE STABILIZED PRIOR TO CONSTRUCTION BEGINNING.
- CONSTRUCTION ENTRANCES ARE TO BE BUILT WITH AN APRON TO ALLOW FOR TURNING TRAFFIC, BUT SHOULD NOT BE BUILT OVER EXISTING PAVEMENT EXCEPT FOR A SLIGHT OVERLAP.
- AREAS TO BE STABILIZED ARE TO BE PROPERLY GRADED AND COMPACTED PRIOR TO LAYING DOWN GEOTEXTILE AND STONE.
- CONSTRUCTION ROADS, PARKING AREAS, LOADING/UNLOADING ZONES, STORAGE AREAS, AND STAGING AREAS ARE TO BE STABILIZED.
- CONSTRUCTION ROADS ARE TO BE BUILT TO CONFORM TO SITE GRADES, BUT SHOULD NOT HAVE SIDE SLOPES OR ROAD GRADES THAT ARE EXCESSIVELY STEEP.

MAINTENANCE REQUIREMENTS

- REGULAR INSPECTIONS ARE TO BE MADE OF ALL STABILIZED AREAS, ESPECIALLY AFTER STORM EVENTS.
- STONES ARE TO BE REAPPLIED PERIODICALLY AND WHEN REPAIR IS NECESSARY.
- SEDIMENT TRACKED ONTO PAVED ROADS IS TO BE REMOVED DAILY BY SHOVELING OR SWEEPING. SEDIMENT IS NOT TO BE WASHED DOWN STORM SEWER DRAINS.
- STORM SEWER INLET PROTECTION IS TO BE IN PLACE, INSPECTED, AND CLEANED IF NECESSARY.
- OTHER ASSOCIATED SEDIMENT CONTROL MEASURES ARE TO BE INSPECTED TO ENSURE GOOD WORKING CONDITION.



PLAN VIEW



**SECTION A-A
TYPE R INLET
INLET PROTECTION**

Computer File Information

Creation Date: 4-25-17	Initials: CMD	<input type="checkbox"/>
Last Modification Date: 10/4/2018	Initials: CDURHAM	<input type="checkbox"/>
Full Path & Drawing File Name:	03-04 - Grading and Erosion Details 1.dwg	<input type="checkbox"/>
Acad Ver. 2014	Scale: N/A	Units: Feet

Index of Revisions

Stantec
Stantec Consulting Inc.
1110 Elkton Drive
Suite B
Colorado Springs, CO 80907
Tel. (719) 432-6889
Fax.
www.stantec.com

**THE GARDENS AT NORTH CAREFREE
PRE-DEVELOPMENT GRADING & EROSION
CONTROL DETAILS**

Designer: BG	Structure Numbers
Detailer: PF	

Project No./Code
187608744

Sheet Number 3 of 4

V:\52876\active\187608744-Mule Deer\CAD\Sheets\GEC Plan Set\03-04 - Grading and Erosion Details 1.dwg 2018/10/08 9:28 AM By: Durham, Charlene