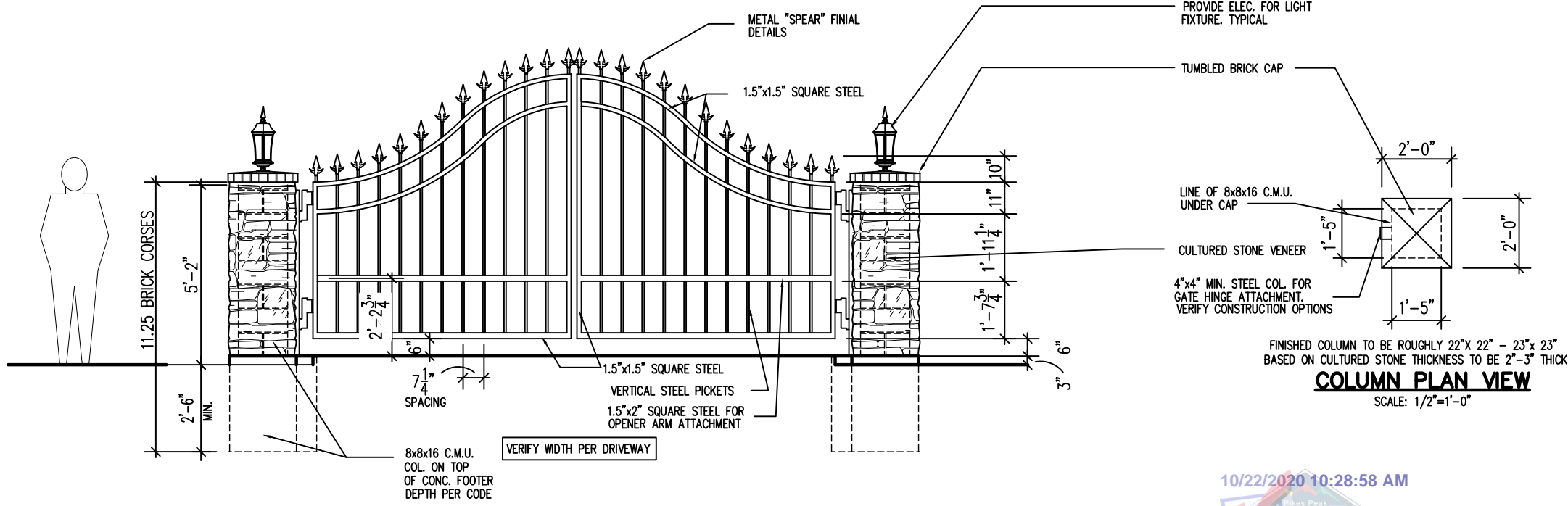
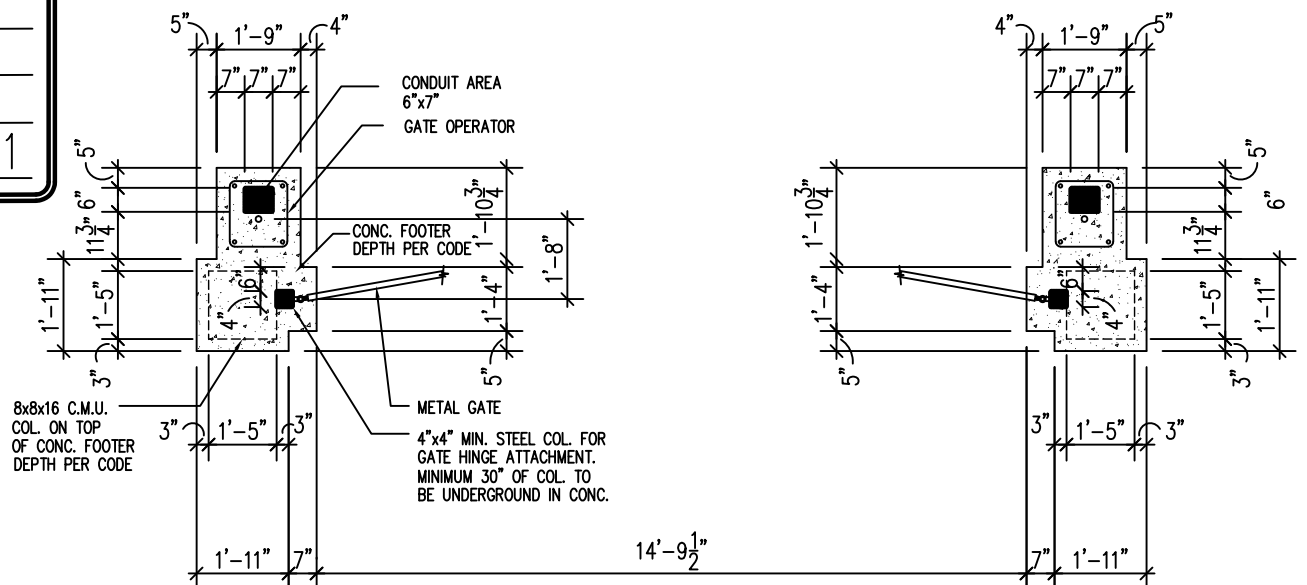


- Project -  
 Address 1905 SPRING VALLEY DRIVE  
 COLORADO SPRINGS, CO 80921  
 Client COLES  
 Date 10/19/2020 Rep HARLAN # 1 of 1

NOTES -



**COLUMN PLAN VIEW**  
 SCALE: 1/2"=1'-0"

10/22/2020 10:28:58 AM  
 PROVISIONAL  
 CONSTRUCTION

- Option -  
 A  
 - Signatures -  
 - Date -

- Title -  
**SPLICE - ADD ELECTRONIC GATE AT DRIVEWAY ENTRY.**

- Saddletree Homes -  
 1821 Austin Bluffs Pkwy, Colorado Springs Co. 80918  
 (719)-593-2900