

Mayberry, Colorado Springs

Filing No. 1A Replat

Grading & Erosion Control

Plans

El Paso County, Colorado

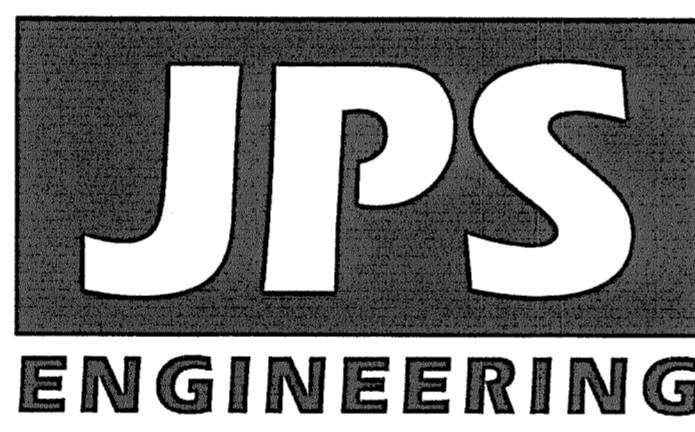
PREPARED FOR:

Mayberry Communities, LLC

PO Box 675725

Rancho Santa Fe, CA 92067

PREPARED BY:



PREPARED BY:

19 East Willamette Avenue
Colorado Springs, Colorado 80903

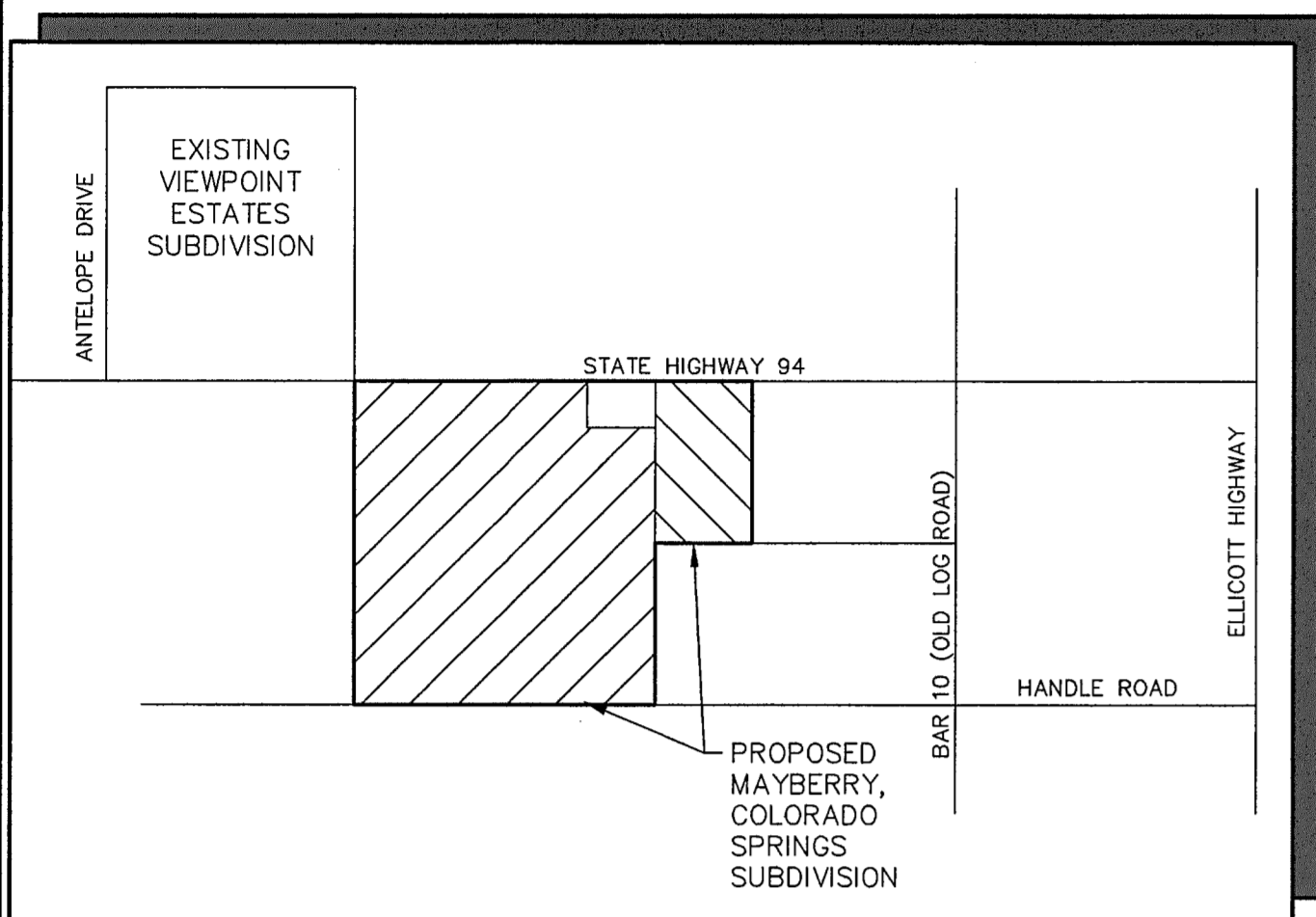
June, 2022

AGENCIES/CONTACTS

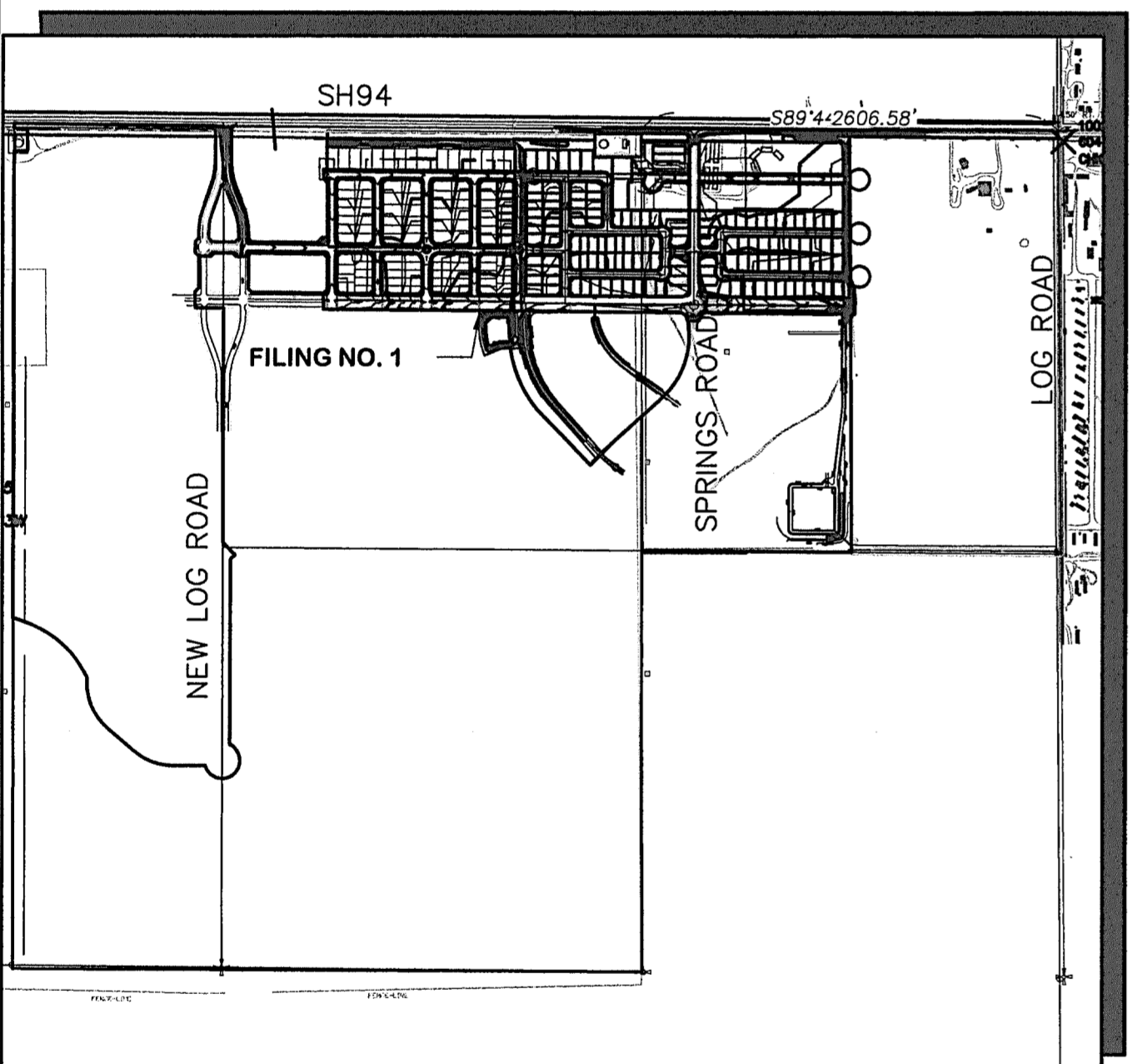
DEVELOPER:	MAYBERRY COMMUNITIES, LLC PO BOX 675725 RANCHO SANTA FE, CA 92067 MR. JOHN MICK (541) 810-2122	WATER/WASTEWATER:	ELLCOTT UTILITIES COMPANY, LLC MR. RANDY GOODSON (858) 692-6262
CIVIL ENGINEER:	JPS ENGINEERING, INC. 19 E. WILLAMETTE AVENUE COLORADO SPRINGS, CO 80903 MR. JOHN P. SCHWAB, P.E. (719) 477-9429	GAS DEPARTMENT:	BLACK HILLS ENERGY MR. SEBASTIAN SCHWENDER (719) 359-3176
SURVEYOR:	R&R ENGINEERS & SURVEYORS 1635 W. 13TH AVE., STE. 310 DENVER, CO 80204 MR. DARRELL DeLAP (303) 753-6730	ELECTRIC DEPARTMENT:	MOUNTAIN VIEW ELECTRIC ASSOCIATION 11140 E. WOODMEN ROAD COLORADO SPRINGS, CO 80908 MR. DAVE WALDNER (719) 495-2283
COUNTY ENGINEERING:	EL PASO COUNTY DEVELOPMENT SERVICES 2880 INTERNATIONAL CIRCLE COLORADO SPRINGS, CO 80922 MR. DANIEL TORRES, P.E. (719) 520-6305	TELEPHONE COMPANY:	QWEST COMMUNICATIONS (LOCATORS) (800) 922-1987 A.T. & T. (LOCATORS) (719) 635-3674
STATE HIGHWAY	COLORADO DEPARTMENT OF TRANSPORTATION REGION 2 5615 WILLS BLVD., PUEBLO, CO 81008 MR. ART GONZALES (719) 546-5732 (REFERENCE CDOT ACCESS PERMITS NO. 218053 & 218054)	FIRE DISTRICT:	ELLCOTT FIRE PROTECTION DISTRICT (719) 683-7211

SHEET INDEX

C1.0	TITLE SHEET
G2	GENERAL NOTES & LEGEND
C1	OVERALL SITE PLAN
C1.2	LOT GRADING NOTES & DETAILS
C1.4A	EROSION CONTROL NOTES
C1.4B	EROSION CONTROL NOTES
C2.1	FILING 1A GRADING & EROSION CONTROL PLAN
C2.2	FILING 2-4 GRADING & EROSION CONTROL PLAN
C3.1	DETENTION POND C1 PLAN
C3.2	DETENTION POND C1 DETAILS



VICINITY MAP
NOT TO SCALE



SITE MAP
NOT TO SCALE

BENCHMARK:
 #5 REBAR FOUND ON THE SOUTHERLY SIDE OF SH-94 WHICH IS S 54-14-52 W, 41.50 FEET FROM THE N 1/4 CORNER OF SECTION 14, TOWNSHIP 14 SOUTH, RANGE 63 WEST BEING A MONUMENT IN A RANGE BOX IN THE EASTBOUND ASPHALT SHOULDER OF SH-94.

BM EL=6058.55.
 N: 1368314.04
 E: 3310210.80

BASIS OF BEARINGS:
 THE BASIS OF BEARING FOR THIS SURVEY IS THE NORTH LINE OF SECTION 14, T.14S., R.63W. ASSUMED AS S 89-44-49 E FROM REBAR & 3-1/2" ALUM. CAP NW CORNER SEC 14, T14S, R63W TO REBAR & 2" ALUM. CAP IN RANGE BOX, N 1/4 CORNER SEC. 14.

ENGINEER'S STATEMENT:
 THIS GRADING AND EROSION CONTROL PLAN WAS PREPARED UNDER MY DIRECTION AND SUPERVISION AND IS CORRECT TO THE BEST OF MY KNOWLEDGE AND BELIEF. SAID PLAN HAS BEEN PREPARED ACCORDING TO THE CRITERIA ESTABLISHED BY THE COUNTY FOR GRADING AND EROSION CONTROL PLANS. I ACCEPT RESPONSIBILITY FOR LIABILITY CAUSED BY NEGLIGENT ACTS, ERRORS OR OMISSIONS ON MY PART IN PREPARING THIS PLAN.

 ENGINEER OF RECORD SIGNATURE DATE 6/15/22

OWNER'S STATEMENT:
 I, THE OWNER/DEVELOPER HAVE READ AND WILL COMPLY WITH THE REQUIREMENTS OF THE GRADING AND EROSION CONTROL PLAN.

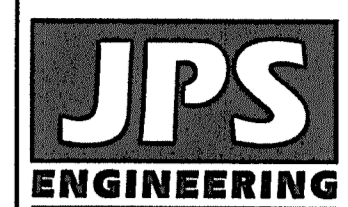
 OWNER SIGNATURE DATE 6-15-22

COUNTY:
 COUNTY PLAN REVIEW IS PROVIDED ONLY FOR GENERAL CONFORMANCE WITH COUNTY DESIGN CRITERIA. THE COUNTY IS NOT RESPONSIBLE FOR THE ACCURACY AND ADEQUACY OF THE DESIGN, DIMENSIONS, AND/OR ELEVATIONS WHICH SHALL BE CONFIRMED AT THE JOB SITE. THE COUNTY THROUGH THE APPROVAL OF THIS DOCUMENT ASSUMES NO RESPONSIBILITY FOR COMPLETENESS AND/OR ACCURACY OF THIS DOCUMENT.

FILED IN ACCORDANCE WITH THE REQUIREMENTS OF THE EL PASO COUNTY LAND DEVELOPMENT CODE, DRAINAGE CRITERIA MANUAL VOLUMES 1 AND 2, AND ENGINEERING CRITERIA MANUAL AS AMENDED.

IN ACCORDANCE WITH ECM SECTION 1.12, THESE CONSTRUCTION DOCUMENTS WILL BE VALID FOR CONSTRUCTION FOR A PERIOD OF 2 YEARS FROM THE DATE SIGNED BY THE EL PASO COUNTY ENGINEER. IF CONSTRUCTION HAS NOT STARTED WITHIN THOSE 2 YEARS THE PLANS WILL NEED TO BE RESUBMITTED FOR APPROVAL, INCLUDING PAYMENT OF REVIEW FEES AT THE PLANNING AND COMMUNITY DEVELOPMENT DIRECTOR'S DISCRETION.

 COUNTY ENGINEER/ECM ADMINISTRATOR DATE



19 E. Willamette Ave.
 Colorado Springs, CO 80903
 PH: 719-477-9429
 FAX: 719-471-0766
 www.jpsegr.com

CALL UTILITY NOTIFICATION CENTER OF COLORADO
1-800-922-1987
 CALL 2-BUSINESS DAYS IN ADVANCE BEFORE YOU DIG, GRADE, OR EXCAVATE FOR THE MARKING OF UNDERGROUND MEMBER UTILITIES.

REVISION	BY	DATE
COUNTY SUBMITTAL	JPS	11/19/21
COUNTY COMMENTS	JPS	2/21/22
COUNTY COMMENTS	JPS	4/7/22
COUNTY COMMENTS	JPS	6/10/22

MAYBERRY, COLORADO SPRINGS, FILING NO. 1A

GEC TITLE SHEET

HORIZ. SCALE:	N/A	DRAWN:	BJJ
VERT. SCALE:	N/A	DESIGNED:	JPS
SURVEYED:	R&R	CHECKED:	JPS
CREATED:	11/12/21	LAST MODIFIED:	6/16/22
PROJECT NO:	090001	MODIFIED BY:	BJJ

VR2113

C1.0

COUNTY GENERAL NOTES:

- ALL DRAINAGE AND ROADWAY CONSTRUCTION SHALL MEET THE STANDARDS AND SPECIFICATIONS OF THE CITY OF COLORADO SPRINGS/EL PASO COUNTY DRAINAGE CRITERIA MANUAL, VOLUMES 1 AND 2, AND THE EL PASO COUNTY ENGINEERING CRITERIA MANUAL.
- CONTRACTOR SHALL BE RESPONSIBLE FOR THE NOTIFICATION AND FIELD LOCATION OF ALL EXISTING UTILITIES, WHETHER SHOWN ON THE PLANS OR NOT, BEFORE BEGINNING CONSTRUCTION. LOCATION OF EXISTING UTILITIES SHALL BE VERIFIED BY THE CONTRACTOR PRIOR TO CONSTRUCTION. CALL 811 TO CONTACT THE UTILITY NOTIFICATION CENTER OF COLORADO (UNCC).
- CONTRACTOR SHALL KEEP A COPY OF THESE APPROVED PLANS, THE GRADING AND EROSION CONTROL PLAN, THE STORMWATER MANAGEMENT PLAN (SWMP), THE SOILS AND GEOTECHNICAL REPORT, AND THE APPROPRIATE DESIGN AND CONSTRUCTION STANDARDS AND SPECIFICATIONS AT THE JOB SITE AT ALL TIMES, INCLUDING THE FOLLOWING:
 - EL PASO COUNTY ENGINEERING CRITERIA MANUAL (ECM)
 - CITY OF COLORADO SPRINGS/EL PASO COUNTY DRAINAGE CRITERIA MANUAL, VOLUMES 1 AND 2
 - COLORADO DEPARTMENT OF TRANSPORTATION (CDOT) STANDARD SPECIFICATIONS FOR ROAD AND BRIDGE CONSTRUCTION
 - CDOT M & S STANDARDS
- NOTWITHSTANDING ANYTHING DEPICTED IN THESE PLANS IN WORDS OR GRAPHIC REPRESENTATION, ALL DESIGN AND CONSTRUCTION RELATED TO ROADS, STORM DRAINAGE AND EROSION CONTROL SHALL CONFORM TO THE STANDARDS AND REQUIREMENTS OF THE MOST RECENT VERSION OF THE RELEVANT ADOPTED EL PASO COUNTY STANDARDS, INCLUDING THE LAND DEVELOPMENT CODE, THE DRAINAGE CRITERIA MANUAL, AND THE DRAINAGE CRITERIA MANUAL VOLUME 2. ANY DEVIATIONS FROM REGULATIONS AND STANDARDS MUST BE REQUESTED, AND APPROVED, IN WRITING. ANY MODIFICATIONS NECESSARY TO MEET CRITERIA AFTER-THE-FACT WILL BE ENTIRELY THE DEVELOPER'S RESPONSIBILITY TO RECTIFY.
- IT IS THE DESIGN ENGINEER'S RESPONSIBILITY TO ACCURATELY SHOW EXISTING CONDITIONS, BOTH ONSITE AND OFFSITE, ON THE CONSTRUCTION PLANS. ANY MODIFICATIONS NECESSARY DUE TO CONFLICTS, OMISSIONS, OR CHANGED CONDITIONS WILL BE ENTIRELY THE DEVELOPER'S RESPONSIBILITY TO RECTIFY.
- CONTRACTOR SHALL SCHEDULE A PRE-CONSTRUCTION MEETING WITH EL PASO COUNTY PLANNING AND COMMUNITY DEVELOPMENT (PCD) - INSPECTIONS, PRIOR TO STARTING CONSTRUCTION.
- IT IS THE CONTRACTOR'S RESPONSIBILITY TO UNDERSTAND THE REQUIREMENTS OF ALL JURISDICTIONAL AGENCIES AND TO OBTAIN ALL REQUIRED PERMITS, INCLUDING BUT NOT LIMITED TO EL PASO COUNTY EROSION AND STORMWATER QUALITY CONTROL PERMIT (ESQCP), REGIONAL BUILDING FLOODPLAIN DEVELOPMENT PERMIT, U.S. ARMY CORPS OF ENGINEERS-ISSUED 401 AND/OR 404 PERMITS, AND COUNTY AND STATE FUGITIVE DUST PERMITS.
- CONTRACTOR SHALL NOT DEVIATE FROM THE PLANS WITHOUT FIRST OBTAINING WRITTEN APPROVAL FROM THE DESIGN ENGINEER AND PCD. CONTRACTOR SHALL NOTIFY THE DESIGN ENGINEER IMMEDIATELY UPON DISCOVERY OF ANY ERRORS OR INCONSISTENCIES.
- ALL STORM DRAIN PIPE SHALL BE CLASS III RCP WITH CLASS B BEDDING UNLESS OTHERWISE NOTED AND APPROVED BY PCD.
- CONTRACTOR SHALL COORDINATE GEOTECHNICAL TESTING PER ECM STANDARDS. PAVEMENT DESIGN SHALL BE APPROVED BY EL PASO COUNTY PCD PRIOR TO PLACEMENT OF CURB AND GUTTER AND PAVEMENT.
- ALL CONSTRUCTION TRAFFIC MUST ENTER/EXIT THE SITE AT APPROVED CONSTRUCTION ACCESS POINTS.
- SIGHT VISIBILITY TRIANGLES AS IDENTIFIED IN THE PLANS SHALL BE PROVIDED AT ALL INTERSECTIONS. OBSTRUCTIONS GREATER THAN 18 INCHES ABOVE FLOWLINE ARE NOT ALLOWED WITHIN SIGHT TRIANGLES.
- SIGNING AND STRIPING SHALL COMPLY WITH EL PASO COUNTY DPW (DEPT. OF PUBLIC WORKS) AND MUTCD CRITERIA.
- CONTRACTOR SHALL OBTAIN ANY PERMITS REQUIRED BY EL PASO COUNTY DPW, INCLUDING WORK WITHIN THE RIGHT-OF-WAY AND SPECIAL TRANSPORT PERMITS.
- THE LIMITS OF CONSTRUCTION SHALL REMAIN WITHIN THE PROPERTY LINE UNLESS OTHERWISE NOTED. THE OWNER/DEVELOPER SHALL OBTAIN WRITTEN PERMISSION AND EASEMENTS, WHERE REQUIRED, FROM ADJOINING PROPERTY OWNER(S) PRIOR TO ANY OFF-SITE DISTURBANCE, GRADING, OR CONSTRUCTION.

GENERAL DRAINAGE & GRADING NOTES:

- INDIVIDUAL BUILDERS SHALL PROVIDE POSITIVE DRAINAGE AWAY FROM STRUCTURES AND ACCOUNT FOR POTENTIAL CROSS-LOT DRAINAGE IMPACTS WITHIN EACH LOT.
- BUILDERS AND PROPERTY OWNERS SHALL IMPLEMENT & MAINTAIN EROSION CONTROL BEST MANAGEMENT PRACTICES FOR PROTECTION OF DOWNSTREAM PROPERTIES AND FACILITIES INCLUDING PROTECTION OF EXISTING GRASS BUFFER STRIPS ALONG THE DOWNSTREAM PROPERTY BOUNDARIES.
- GRADING AND DRAINAGE WITHIN LOTS IS THE RESPONSIBILITY OF THE INDIVIDUAL BUILDERS AND PROPERTY OWNERS.

COUNTY SIGNING AND STRIPING NOTES:

- ALL SIGNS AND PAVEMENT MARKINGS SHALL BE IN COMPLIANCE WITH THE CURRENT MANUAL ON UNIFORM TRAFFIC CONTROL DEVICES (MUTCD).
- REMOVAL OF EXISTING PAVEMENT MARKINGS SHALL BE ACCOMPLISHED BY A METHOD THAT DOES NOT MATERIALLY DAMAGE THE PAVEMENT. THE PAVEMENT MARKINGS SHALL BE REMOVED TO THE EXTENT THAT THEY WILL NOT BE VISIBLE UNDER DAY OR NIGHT CONDITIONS. AT NO TIME WILL IT BE ACCEPTABLE TO PAINT OVER EXISTING PAVEMENT MARKINGS.
- ANY DEVIATION FROM THE STRIPING AND SIGNING PLAN SHALL BE APPROVED BY EL PASO COUNTY DEPARTMENT OF PUBLIC WORKS.
- ALL SIGNS SHOWN ON THE SIGNING AND STRIPING PLAN SHALL BE NEW SIGNS. EXISTING SIGNS MAY REMAIN OR BE REUSED IF THEY MEET CURRENT EL PASO COUNTY AND MUTCD STANDARDS.
- STREET NAME AND REGULATORY STOP SIGNS SHALL BE ON THE SAME POST AT INTERSECTIONS.
- ALL REMOVED SIGNS SHALL BE DISPOSED OF IN A PROPER MANNER BY THE CONTRACTOR.
- ALL STREET NAME SIGNS SHALL HAVE "D" SERIES LETTERS, WITH LOCAL ROADWAY SIGNS BEING 4" UPPER-LOWER CASE LETTERING ON 8" BLANK AND NON-LOCAL ROADWAY SIGNS BEING 6" LETTERING, UPPER-LOWER CASE ON 12" BLANK, WITH WHITE BORDER THAT IS NOT RECESSED. MULTI-LANE ROADWAYS WITH SPEED LIMITS OF 40 MPH OR HIGHER SHALL HAVE 8" UPPER-LOWER CASE LETTERING ON 18" BLANK WITH A WHITE BORDER THAT IS NOT RECESSED. THE WIDTH OF THE NON-RECESSED WHITE BORDERS SHALL MATCH PAGE 255 OF THE 2012 MUTCD "STANDARD HIGHWAY SIGNS".
- ALL TRAFFIC SIGNS SHALL HAVE A MINIMUM HIGH INTENSITY PRISMATIC GRADE SHEETING.
- ALL LOCAL RESIDENTIAL STREET SIGNS SHALL BE MOUNTED ON A 1.75" X 1.75" SQUARE TUBE SIGN POST AND STUB POST BASE. FOR OTHER APPLICATIONS, REFER TO THE CDOT STANDARD S-614-8 REGARDING USE OF THE P2 TUBULAR STEEL POST SLIPBASE DESIGN.
- ALL SIGNS SHALL BE SINGLE SHEET ALUMINUM WITH 0.100" MINIMUM THICKNESS.
- ALL LIMIT LINES/STOP LINES, CROSSWALK LINES, PAVEMENT LEGENDS, AND ARROWS SHALL BE A MINIMUM 125 MIL THICKNESS PREFORMED THERMOPLASTIC PAVEMENT MARKINGS WITH TAPERED LEADING EDGES PER CDOT STANDARD S-627-1. WORD AND SYMBOL MARKINGS SHALL BE THE NARROW TYPE. STOP BARS SHALL BE 24" IN WIDTH. CROSSWALKS LINES SHALL BE 12" WIDE AND 8' LONG PER CDOT S-627-1.
- ALL LONGITUDINAL LINES SHALL BE A MINIMUM 15MIL THICKNESS EPOXY PAINT. ALL NON-LOCAL RESIDENTIAL ROADWAYS SHALL INCLUDE BOTH RIGHT AND LEFT EDGE LINE STRIPING AND ANY ADDITIONAL STRIPING AS REQUIRED BY CDOT S-627-1.
- THE CONTRACTOR SHALL NOTIFY EL PASO COUNTY DEPARTMENT OF PUBLIC WORKS (719) 520-6819 PRIOR TO AND UPON COMPLETION OF SIGNING AND STRIPING.
- THE CONTRACTOR SHALL OBTAIN A WORK IN THE RIGHT OF WAY PERMIT FROM THE EL PASO COUNTY PUBLIC WORKS DEPARTMENT PRIOR TO ANY SIGNAGE OR STRIPING WORK WITHIN AN EXISTING EL PASO COUNTY ROADWAY.

PROJECT GENERAL NOTES:

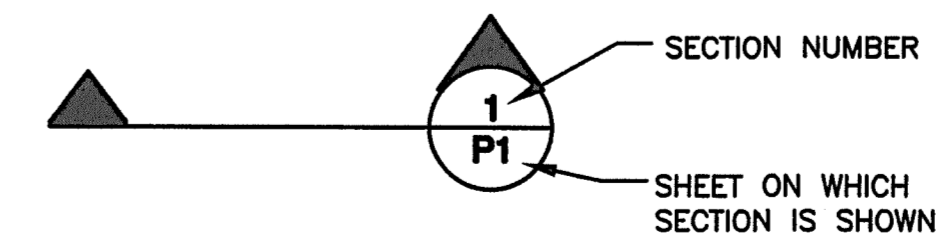
- THE CONTRACTOR SHALL BE RESPONSIBLE FOR THE NOTIFICATION AND FIELD LOCATION OF ALL EXISTING UTILITIES, WHETHER SHOWN ON THE PLANS OR NOT, BEFORE BEGINNING CONSTRUCTION. LOCATION OF EXISTING UTILITIES SHALL BE VERIFIED BY THE CONTRACTOR PRIOR TO ACTUAL CONSTRUCTION.
- EXISTING CONTOUR DATA PROVIDED BY OWNER GENERALLY CONSISTS OF AERIAL MAPPING FROM UNITED PLANNING & ENGINEERING. JPS ENGINEERING TAKES NO RESPONSIBILITY FOR THE ACCURACY OF EXISTING TOPOGRAPHIC MAPPING.
- THE CONTRACTOR SHALL HAVE ONE (1) SIGNED COPY OF THESE APPROVED PLANS AND ONE (1) COPY OF THE APPROPRIATE DESIGN AND CONSTRUCTION STANDARDS AND SPECIFICATIONS AT THE JOB SITE AT ALL TIMES:
 - EL PASO COUNTY ENGINEERING CRITERIA MANUAL
 - CDOT STANDARD SPECIFICATIONS FOR ROAD & BRIDGE CONSTRUCTION
 - ELLCOTT UTILITIES STANDARDS SPECIFICATIONS (REFER TO CSU STANDARDS IN THE ABSENCE OF PUBLISHED SPECIFICATIONS)
- STORM DRAIN PIPE SHALL BE RCP CLASS III WITH CLASS C BEDDING UNLESS OTHERWISE NOTED. PROVIDE WATER-TIGHT JOINTS ON STORM SEWER PIPE.
- STATIONING IS AT CENTERLINE UNLESS OTHERWISE NOTED. ALL ELEVATIONS ARE AT FLOWLINE UNLESS OTHERWISE NOTED. ALL DIMENSIONS ARE FROM FACE OF CURB UNLESS OTHERWISE NOTED.
- PROPOSED CONTOURS SHOWN ARE TO FINISHED GRADE.
- LENGTHS SHOWN FOR STORM SEWER PIPES ARE TO CENTER OF MANHOLE.
- CONTRACTOR SHALL REMOVE AND DISPOSE OF ALL EXISTING STRUCTURES, DEBRIS, WASTE AND OTHER UNSUITABLE FILL MATERIAL FOUND WITHIN THE LIMITS OF EXCAVATION.
- MATCH INTO EXISTING GRADES AT 3:1 MAX CUT AND FILL SLOPES.
- REVEGETATION OF ALL DISTURBED AREAS SHALL BE DONE WITH SPECIFIED SEED MIX WITHIN 30 DAYS AFTER FINE GRADING IS COMPLETE.
- EROSION CONTROL SHALL CONSIST OF SILT FENCE AND OTHER BMP'S AS SHOWN ON THE DRAWINGS, AND TOPSOIL WITH GRASS SEED, WHICH WILL BE WATERED UNTIL VEGETATION HAS BEEN REESTABLISHED.
- THE EROSION CONTROL MEASURES OUTLINED ON THIS PLAN ARE THE RESPONSIBILITY OF THE DEVELOPER TO MONITOR AND REPLACE, REGRADE, AND REBUILD AS NECESSARY UNTIL VEGETATION IS REESTABLISHED.
- EROSION CONTROL MEASURES SHALL BE IMPLEMENTED IN A MANNER THAT WILL PROTECT ADJACENT PROPERTIES AND PUBLIC FACILITIES FROM THE ADVERSE EFFECTS OF EROSION AND SEDIMENTATION AS A RESULT OF CONSTRUCTION AND EARTHWORK ACTIVITIES WITHIN THE PROJECT SITE.
- ADDITIONAL EROSION CONTROL MEASURES MAY BE REQUIRED AS DETERMINED BY SITE CONDITIONS.
- THE CONTRACTOR WILL TAKE THE NECESSARY PRECAUTIONS TO PROTECT EXISTING UTILITIES FROM DAMAGE DUE TO THIS OPERATION. ANY DAMAGE TO THE UTILITIES WILL BE REPAIRED AT THE CONTRACTOR'S EXPENSE, AND ANY SERVICE DISRUPTION WILL BE SETTLED BY THE CONTRACTOR
- PEDESTRIAN RAMPS SHALL BE INSTALLED AT ALL INTERSECTIONS AND CONFORM TO COUNTY ENGINEERING STANDARDS AND SPECIFICATIONS.
- ALL FINISHED GRADES SHALL HAVE A MINIMUM 0.5% SLOPE TO PROVIDE POSITIVE DRAINAGE.
- WHERE PROPOSED SLOPES CONFLICT WITH PROPOSED SPOT ELEVATIONS, SPOT ELEVATIONS SHALL GOVERN.
- CONTRACTOR SHALL OBTAIN ALL REQUIRED PERMITS PRIOR TO BEGINNING WORK.
- ALL RESIDENTIAL STREET CURB RETURN RADII ARE 20- FEET AT FLOWLINE UNLESS OTHERWISE NOTED. ARTERIAL STREET CURB RETURN RADII ARE 35' UNLESS NOTED OTHERWISE.
- 25-FOOT SIGHT VISIBILITY TRIANGLES SHALL BE PROVIDED AT ALL RESIDENTIAL STREET INTERSECTIONS. 50-FOOT SIGHT TRIANGLES SHALL BE PROVIDED AT ARTERIAL STREET INTERSECTIONS. NO OBSTRUCTIONS TALLER THAN 18" ARE PERMITTED WITHIN THESE TRIANGLES.
- CONTRACTOR SHALL SCHEDULE A PRE-CONSTRUCTION MEETING WITH EL PASO COUNTY AND ALL UTILITIES INVOLVED IN PROJECT PRIOR TO MOBILIZING ON SITE.
- TYPE C STORM INLETS SHALL HAVE CLOSE-MESH GRATES.
- PROVIDE 10' TRANSITION FROM RAMP CURB TO VERTICAL CURB ON EACH SIDE OF STORM INLETS.
- ALL BACKFILL, SUB-BASE, AND/OR BASE COURSE MATERIAL SHALL BE COMPACTED PER EL PASO COUNTY AND CDOT STANDARDS AND SPECIFICATIONS AND PROJECT GEOTECHNICAL REPORT. CONTRACTOR SHALL STABILIZE ALL SUBGRADE AREAS PER GEOTECHNICAL ENGINEER'S RECOMMENDATIONS.

APPROVAL NOTE:

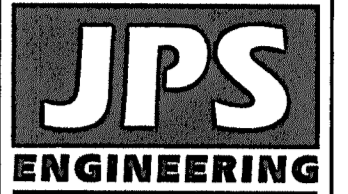
- PRELIMINARY PLAN WAS APPROVED WITH 2004 VERSION OF ECM.

LEGEND:

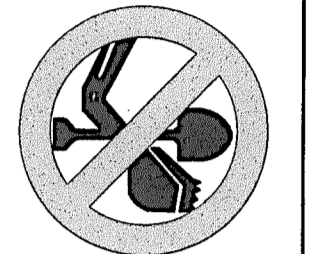
	NEW/EXISTING
	SECTION LINE - NEW/EXISTING
	EASEMENT LINE - NEW/EXISTING
	CONTOUR - NEW/EXISTING
	PROPERTY LINE - NEW/EXISTING
	FENCE - NEW/EXISTING
	OVERHEAD ELECTRIC LINE W/ POWER POLE NEW/EXISTING
	UNDERGROUND ELECTRIC LINE NEW/EXISTING
	UNDERGROUND ELECTRIC - NEW/EXISTING
	TELEPHONE - NEW/EXISTING
	GAS - NEW/EXISTING
	WATER - NEW/EXISTING



MAYBERRY, COLORADO SPRINGS - FILING NO. 1A



19 E. Willamette Ave.
Colorado Springs, CO
80903
PH: 719-477-9429
FAX: 719-471-0766
www.jpsengr.com



CALL UTILITY NOTIFICATION
CENTER OF COLORADO
1-800-922-1987
CALL 2-BUSINESS DAYS IN ADVANCE
BEFORE YOU DIG, GRADE, OR EXCAVATE
FOR THE UNDERGROUND
MEMBER UTILITIES.

No.	REVISION	DATE	
		BY	

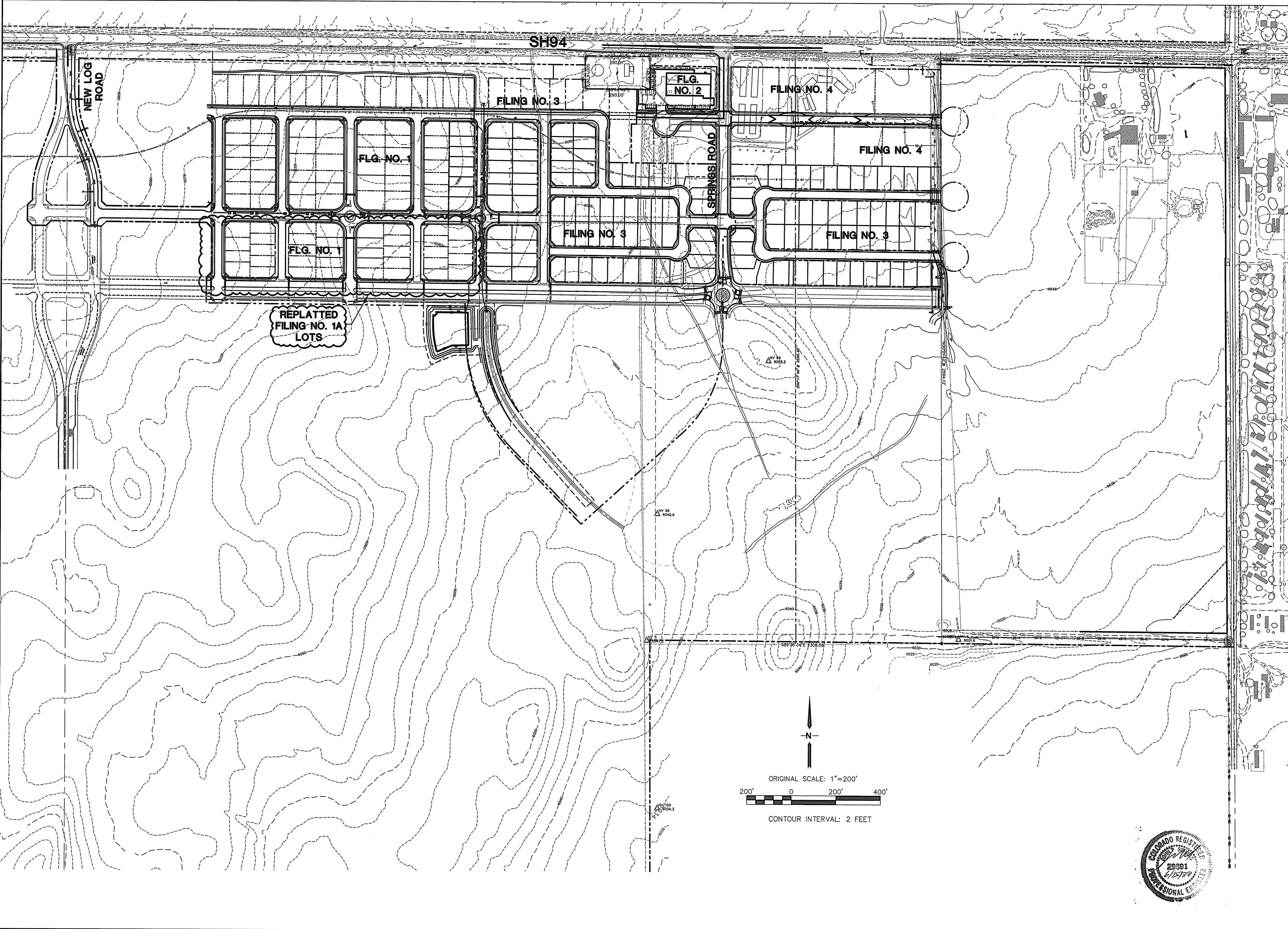
GENERAL NOTES

HORIZ. SCALE:	N/A	DRAWN:	BJJ
VERT. SCALE:	N/A	DESIGNED:	JPS
SURVEYED:	R&R	CHECKED:	JPS
CREATED:	10/30/20	LAST MODIFIED:	10/29/21
PROJECT NO:	090001	MODIFIED BY:	BJJ

G2

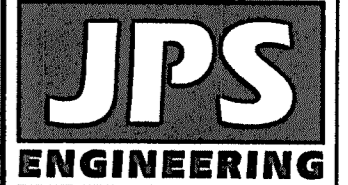
C:\Users\Owner\Desktop\Projects\090001\Ellicott\TC\Mayberry\G2.DWG Oct. 29, 2021 - 4:01pm

C:\Users\Owner\Dropbox\psprojects\090001\Ellicott\dwg\Civil\C1.dwg Jan 18, 2022 - 11:06am

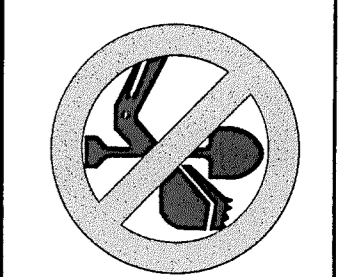


MAYBERRY, COLORADO SPRINGS

OVERALL SITE PLAN



19 E. Willamette Ave.
Colorado Springs, CO
80903
PH: 719-477-9429
FAX: 719-471-0766
www.jpsengr.com

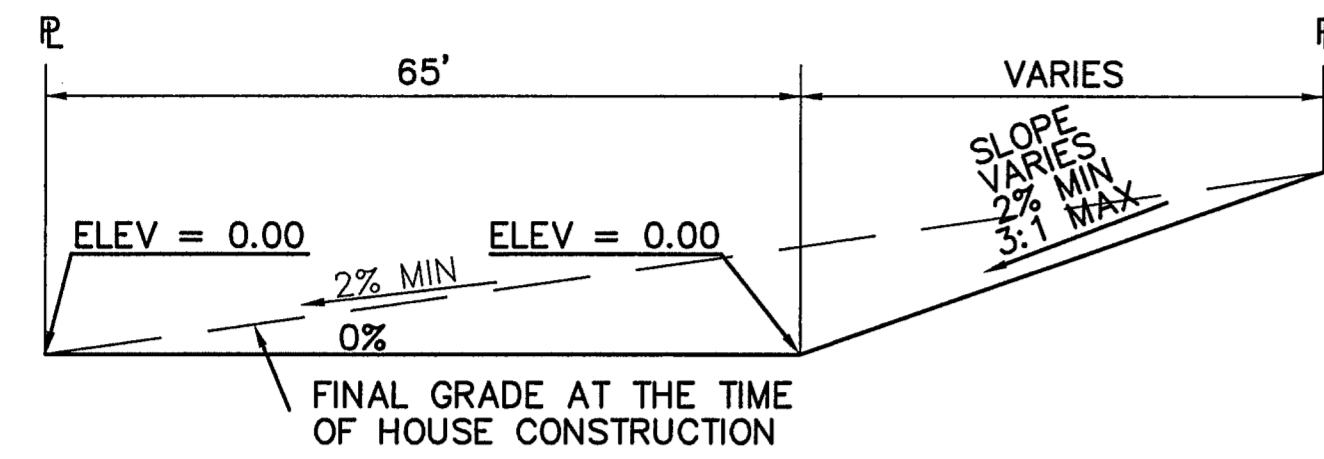


CALL UTILITY NOTIFICATION
CENTER OF COLORADO
1-800-922-1987
CALL 2-BUSINESS DAYS IN ADVANCE
FOR ALL GAS, WATER, AND
CABLE LINES TO BE EXCAVATED
FOR THE MEMBER UTILITIES.

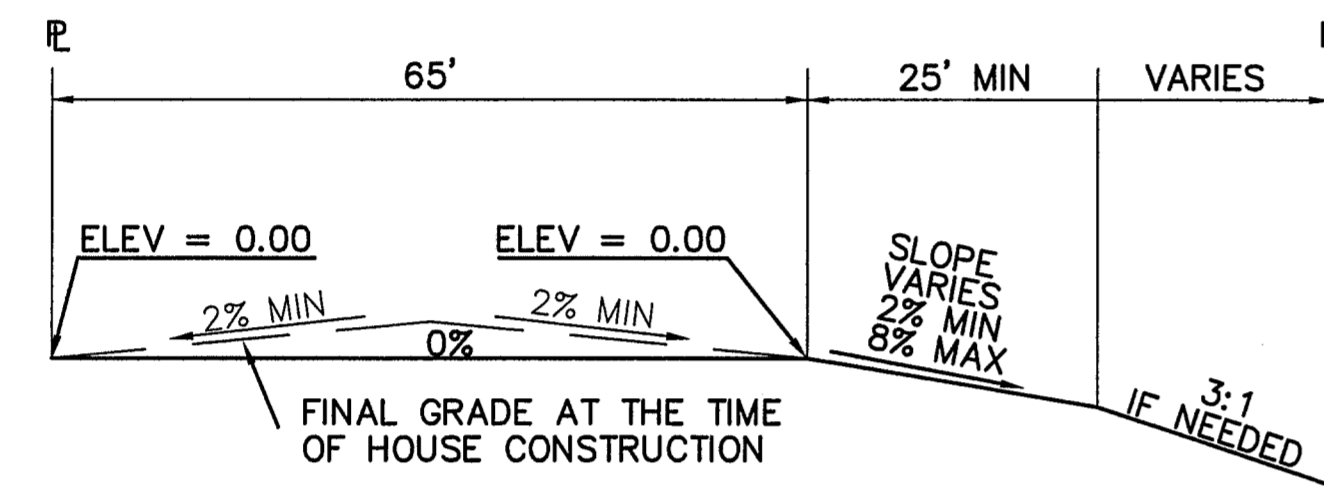
No.	REVISION	BY	DATE

HORIZ. SCALE: 1"=200'	DRAWN: BJJ
VERT. SCALE: N/A	DESIGNED: JPS
SURVEYED: R&R	CHECKED: JPS
CREATED: 2/03/21	LAST MODIFIED: 1/18/22
PROJECT NO: 090001	MODIFIED BY: BJJ

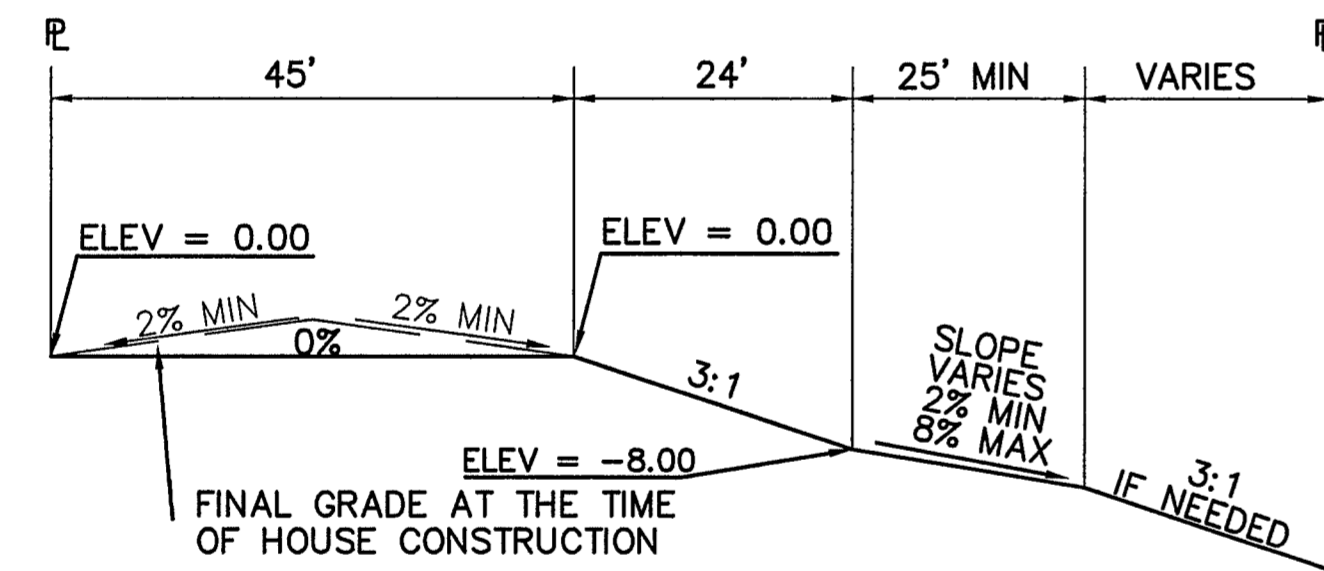
SHEET: C1



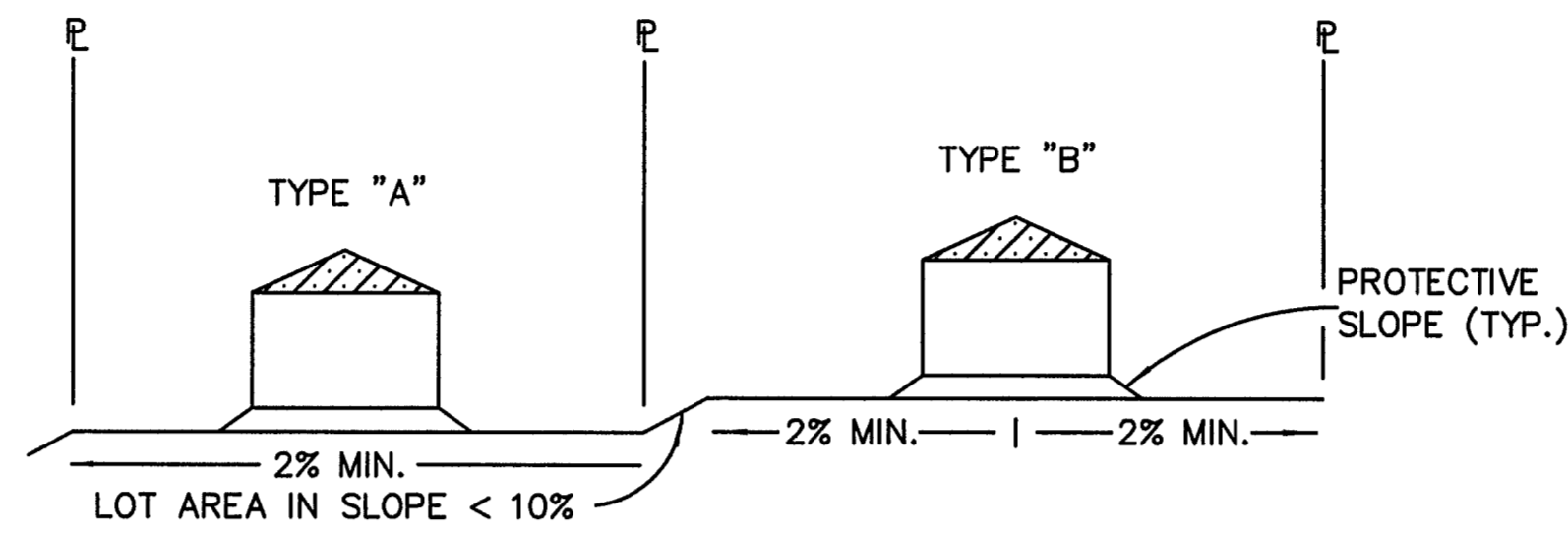
TYPICAL "A" LOT
SCALE: 1"=20'



TYPICAL "B" LOT
SCALE: 1"=20'

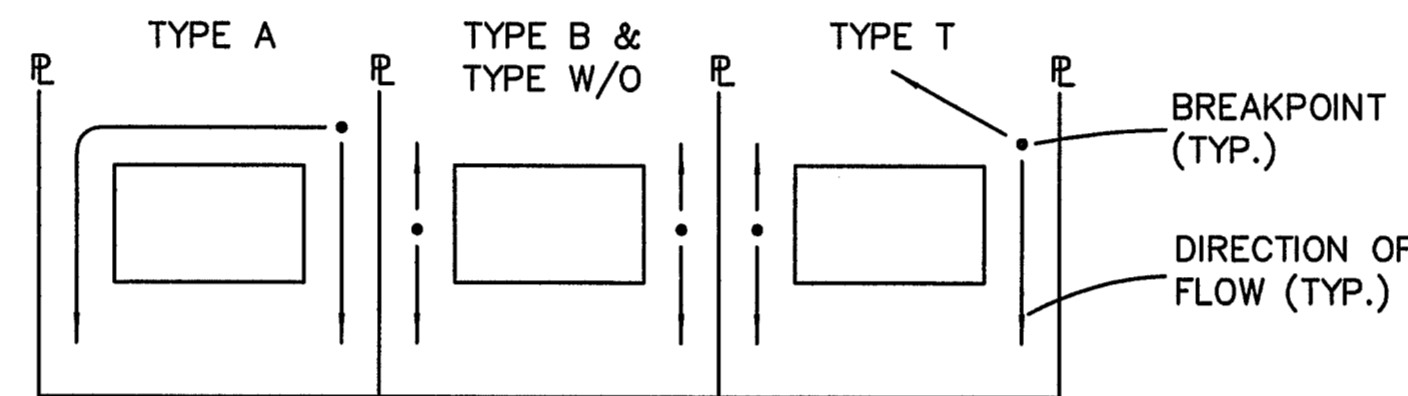


TYPICAL "WALK-OUT" LOT - "C" LOT
SCALE: 1"=20'

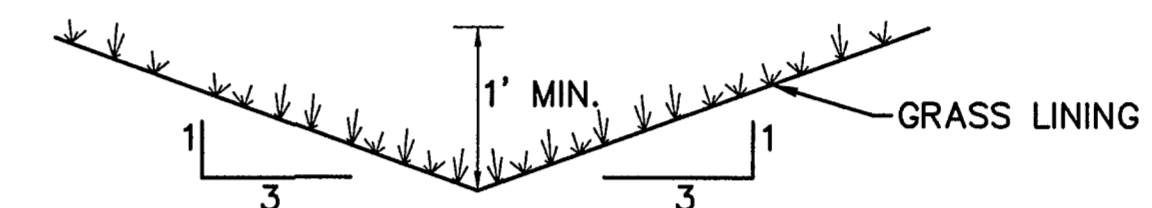


TYPICAL LOT SECTION DETAIL
N.T.S.

NOTE:
FINAL GRADING TO COMPLY WITH H.U.D. STANDARDS CONTAINED IN SECTION 310 AND 602 OF THE MINIMUM PROPERTY STANDARDS (MPS) 4900.1, HANDBOOK 4140.3 CHG (DATA SHEET 79g), IF APPLICABLE, AND ALL LEGAL STANDARDS.

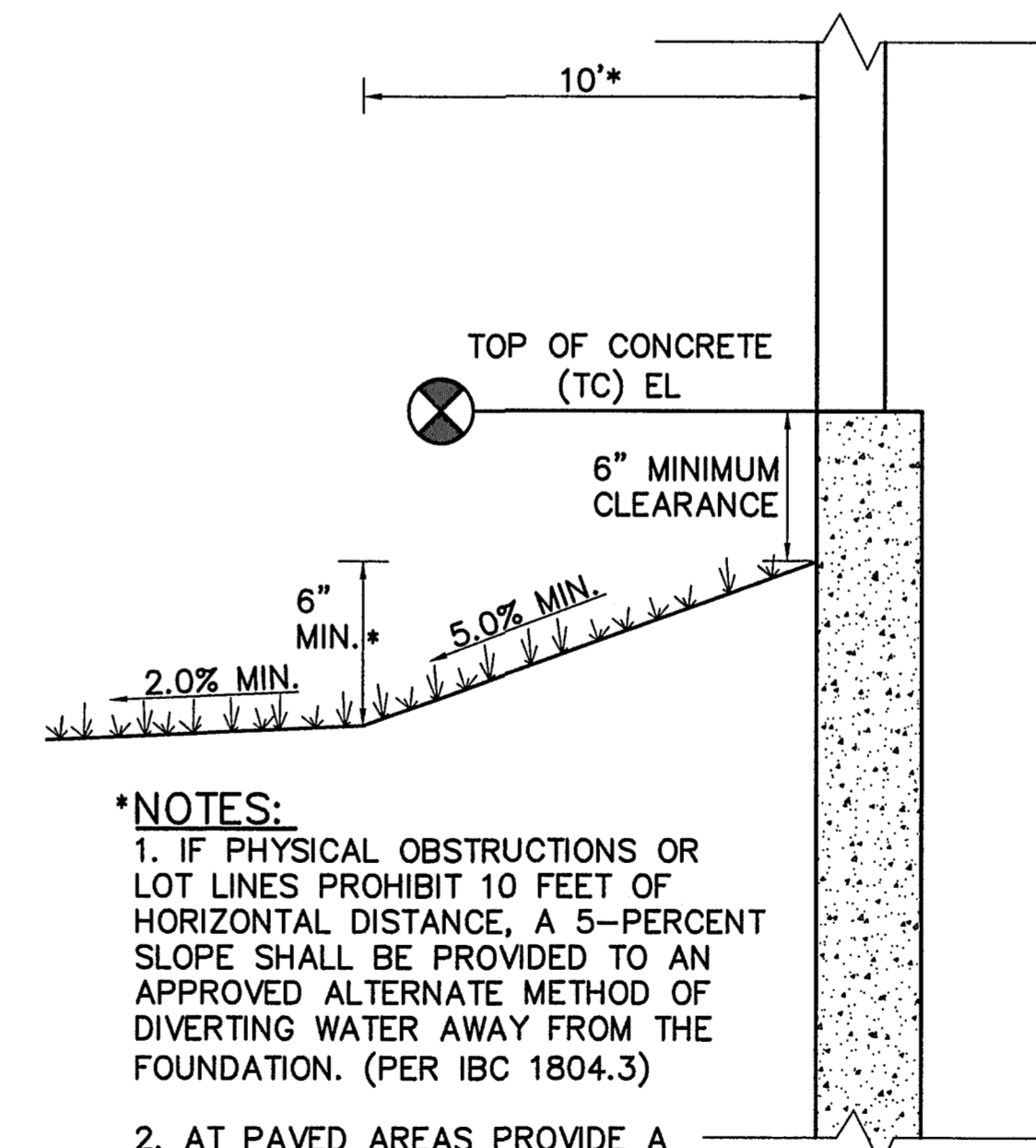


LOT DRAINAGE TYPES
N.T.S.



TYPICAL SIDE/REAR LOT SWALE (A)
N.T.S.

NOTE: BUILDERS AND OWNERS SHALL MAINTAIN PROPER PROTECTIVE SLOPES & SIDE/REAR LOT SWALES DURING AND AFTER HOME CONSTRUCTION.

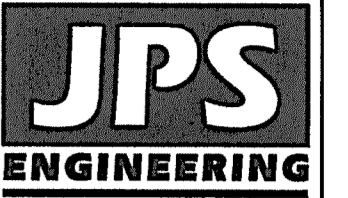


***NOTES:**
1. IF PHYSICAL OBSTRUCTIONS OR LOT LINES PROHIBIT 10 FEET OF HORIZONTAL DISTANCE, A 5-PERCENT SLOPE SHALL BE PROVIDED TO AN APPROVED ALTERNATE METHOD OF DIVERTING WATER AWAY FROM THE FOUNDATION. (PER IBC 1804.3)
2. AT PAVED AREAS PROVIDE A MINIMUM 2.0% SLOPE AWAY FROM THE BUILDING FOR THE FIRST 10 FEET OF HORIZONTAL DISTANCE.

TYPICAL BUILDING DRAINAGE DETAIL (B)
N.T.S.

- NOTES:**
1. LOT GRADING & DRAINAGE IS THE RESPONSIBILITY OF THE INDIVIDUAL LOT BUILDERS & OWNERS.
 2. INDIVIDUAL BUILDERS SHALL PROVIDE POSITIVE DRAINAGE WITHIN EACH LOT AND ACCOUNT FOR POTENTIAL CROSS-LOT DRAINAGE ON DOWNGRADIENT LOTS.
 3. FINAL GRADING TO COMPLY WITH H.U.D. STANDARDS CONTAINED IN SECTION 310 AND 602 OF THE MINIMUM PROPERTY STANDARDS (MPS) 4900.1, HANDBOOK 4140.3 CHG (DATA SHEET 79g), IF APPLICABLE, AND ALL LEGAL STANDARDS.

MAYBERRY, COLORADO SPRINGS - FILING NO. 1A



19 E. Willamette Ave.
Colorado Springs, CO 80903
PH: 719-477-9429
FAX: 719-471-0766
www.jpsegr.com



CALL UTILITY NOTIFICATION CENTER OF COLORADO
1-800-922-1987
SCALE 2-BUSINESS DAYS IN ADVANCE
FOR THE MARKING OF UNDERGROUND MEMBER UTILITIES.

No.	REVISION	BY	DATE

LOT GRADING NOTES & DETAILS

HORZ. SCALE:	N/A	DRAWN:	BJJ
VERT. SCALE:	N/A	DESIGNED:	JPS
SURVEYED:	UP&E	CHECKED:	JPS
CREATED:	11/16/21	LAST MODIFIED:	11/16/21
PROJECT NO:	090001	MODIFIED BY:	BJJ
SHEET:			

C1.2

STANDARD NOTES FOR EL PASO COUNTY GRADING & EROSION CONTROL PLANS:

REVISED 7/02/19

- STORMWATER DISCHARGES FROM CONSTRUCTION SITES SHALL NOT CAUSE OR THREATEN TO CAUSE POLLUTION, CONTAMINATION, OR DEGRADATION OF STATE WATERS. ALL WORK AND EARTH DISTURBANCE SHALL BE DONE IN A MANNER THAT MINIMIZES POLLUTION OF ANY ON-SITE OR OFF-SITE WATERS, INCLUDING WETLANDS.
- NOTWITHSTANDING ANYTHING DEPICTED IN THESE PLANS IN WORDS OR GRAPHIC REPRESENTATION, ALL DESIGN AND CONSTRUCTION RELATED TO ROADS, STORM DRAINAGE AND EROSION CONTROL SHALL CONFORM TO THE STANDARDS AND REQUIREMENTS OF THE MOST RECENT VERSION OF THE RELEVANT ADOPTED EL PASO COUNTY STANDARDS, INCLUDING THE LAND DEVELOPMENT CODE, THE ENGINEERING CRITERIA MANUAL, THE DRAINAGE CRITERIA MANUAL, AND THE DRAINAGE CRITERIA MANUAL VOLUME 2. ANY DEVIATIONS FROM REGULATIONS AND STANDARDS MUST BE REQUESTED, AND APPROVED, IN WRITING.
- A SEPARATE STORMWATER MANAGEMENT PLAN (SMWP) FOR THIS PROJECT SHALL BE COMPLETED AND AN EROSION AND STORMWATER QUALITY CONTROL PERMIT (ESQCP) ISSUED PRIOR TO COMMENCING CONSTRUCTION. MANAGEMENT OF THE SWMP DURING CONSTRUCTION IS THE RESPONSIBILITY OF THE DESIGNATED QUALIFIED STORMWATER MANAGER OR CERTIFIED EROSION CONTROL INSPECTOR. THE SWMP SHALL BE LOCATED ON SITE AT ALL TIMES DURING CONSTRUCTION AND SHALL BE KEPT UP TO DATE WITH WORK PROGRESS AND CHANGES IN THE FIELD.
- ONCE THE ESQCP IS APPROVED AND A "NOTICE TO PROCEED" HAS BEEN ISSUED, THE CONTRACTOR MAY INSTALL THE INITIAL STAGE EROSION AND SEDIMENT CONTROL MEASURES AS INDICATED ON THE APPROVED GEC. A PRECONSTRUCTION MEETING BETWEEN THE CONTRACTOR, ENGINEER, AND EL PASO COUNTY WILL BE HELD PRIOR TO ANY CONSTRUCTION. IT IS THE RESPONSIBILITY OF THE APPLICANT TO COORDINATE THE MEETING TIME AND PLACE WITH COUNTY STAFF.
- CONTROL MEASURES MUST BE INSTALLED PRIOR TO COMMENCEMENT OF ACTIVITIES THAT COULD CONTRIBUTE POLLUTANTS TO STORMWATER. CONTROL MEASURES FOR ALL SLOPES, CHANNELS, DITCHES, AND DISTURBED LAND AREAS SHALL BE INSTALLED IMMEDIATELY UPON COMPLETION OF THE DISTURBANCE.
- ALL TEMPORARY SEDIMENT AND EROSION CONTROL MEASURES SHALL BE MAINTAINED AND REMAIN IN EFFECTIVE OPERATING CONDITION UNTIL PERMANENT SOIL EROSION CONTROL MEASURES ARE IMPLEMENTED AND FINAL STABILIZATION IS ESTABLISHED. ALL PERSONS ENGAGED IN LAND DISTURBANCE ACTIVITIES SHALL ASSESS THE ADEQUACY OF CONTROL MEASURES AT THE SITE AND IDENTIFY IF CHANGES TO THOSE CONTROL MEASURES ARE NEEDED TO ENSURE THE CONTINUED EFFECTIVE PERFORMANCE OF THE CONTROL MEASURES. ALL CHANGES TO TEMPORARY SEDIMENT AND EROSION CONTROL MEASURES MUST BE INCORPORATED INTO THE STORMWATER MANAGEMENT PLAN.
- TEMPORARY STABILIZATION SHALL BE IMPLEMENTED ON DISTURBED AREAS AND STOCKPILES WHERE GROUND DISTURBING CONSTRUCTION ACTIVITY HAS PERMANENTLY CEASED OR TEMPORARILY CEASED FOR LONGER THAN 14 DAYS.
- FINAL STABILIZATION MUST BE IMPLEMENTED AT ALL APPLICABLE CONSTRUCTION SITES. FINAL STABILIZATION IS ACHIEVED WHEN ALL GROUND DISTURBING ACTIVITIES ARE COMPLETE AND ALL DISTURBED AREAS EITHER HAVE A UNIFORM VEGETATIVE COVER WITH INDIVIDUAL PLANT DENSITY OF 70 PERCENT OF PRE-DISTURBANCE LEVELS ESTABLISHED OR EQUIVALENT PERMANENT ALTERNATIVE STABILIZATION METHOD IS IMPLEMENTED. ALL TEMPORARY SEDIMENT AND EROSION CONTROL MEASURES SHALL BE REMOVED UPON FINAL STABILIZATION AND BEFORE PERMIT CLOSURE.
- ALL PERMANENT STORMWATER MANAGEMENT FACILITIES SHALL BE INSTALLED AS DESIGNED IN THE APPROVED PLANS. ANY PROPOSED CHANGES THAT AFFECT THE DESIGN OR FUNCTION OF PERMANENT STORMWATER MANAGEMENT STRUCTURES MUST BE APPROVED BY THE ECM ADMINISTRATOR PRIOR TO IMPLEMENTATION.
- EARTH DISTURBANCES SHALL BE CONDUCTED IN SUCH A MANNER SO AS TO EFFECTIVELY MINIMIZE ACCELERATED SOIL EROSION AND RESULTING SEDIMENTATION. ALL DISTURBANCES SHALL BE DESIGNED, CONSTRUCTED, AND COMPLETED SO THAT THE EXPOSED AREA OF ANY DISTURBED LAND SHALL BE LIMITED TO THE SHORTEST PRACTICAL PERIOD OF TIME. PRE-EXISTING VEGETATION SHALL BE PROTECTED AND MAINTAINED WITHIN 50 HORIZONTAL FEET OF A WATERS OF THE STATE UNLESS SHOWN TO BE INFEASIBLE AND SPECIFICALLY REQUESTED AND APPROVED.
- COMPACTION OF SOIL MUST BE PREVENTED IN AREAS DESIGNATED FOR INFILTRATION CONTROL MEASURES OR WHERE FINAL STABILIZATION WILL BE ACHIEVED BY VEGETATIVE COVER. AREAS DESIGNATED FOR INFILTRATION CONTROL MEASURES SHALL ALSO BE PROTECTED FROM SEDIMENTATION DURING CONSTRUCTION UNTIL FINAL STABILIZATION IS ACHIEVED. IF COMPACTION PREVENTION IS NOT FEASIBLE DUE TO SITE CONSTRAINTS, ALL AREAS DESIGNATED FOR INFILTRATION AND VEGETATION CONTROL MEASURES MUST BE LOOSENEED PRIOR TO INSTALLATION OF THE CONTROL MEASURE(S).
- ANY TEMPORARY OR PERMANENT FACILITY DESIGNED AND CONSTRUCTED FOR THE CONVEYANCE OF STORMWATER AROUND, THROUGH, OR FROM THE EARTH DISTURBANCE AREA SHALL BE A STABILIZED CONVEYANCE DESIGNED TO MINIMIZE EROSION AND THE DISCHARGE OF SEDIMENT OFF SITE.
- CONCRETE WASH WATER SHALL BE CONTAINED AND DISPOSED OF IN ACCORDANCE WITH THE SWMP. NO WASH WATER SHALL BE DISCHARGED TO OR ALLOWED TO ENTER STATE WATERS, INCLUDING ANY SURFACE OR SUBSURFACE STORM DRAINAGE SYSTEM OR FACILITIES. CONCRETE WASHOUTS SHALL NOT BE LOCATED IN AN AREA WHERE SHALLOW GROUNDWATER MAY BE PRESENT, OR WITHIN 50 FEET OF A SURFACE WATER BODY, CREEK OR STREAM.
- DURING DEWATERING OPERATIONS OF UNCONTAMINATED GROUND WATER MAY BE DISCHARGED ON SITE, BUT SHALL NOT LEAVE THE SITE IN THE FORM OF SURFACE RUNOFF UNLESS AN APPROVED STATE DEWATERING PERMIT IS IN PLACE.
- EROSION CONTROL BLANKETING OR OTHER PROTECTIVE COVERING SHALL BE USED ON SLOPES STEEPER THAN 3:1.
- CONTRACTOR SHALL BE RESPONSIBLE FOR THE REMOVAL OF ALL WASTES FROM THE CONSTRUCTION SITE FOR DISPOSAL IN ACCORDANCE WITH LOCAL AND STATE REGULATORY REQUIREMENTS. NO CONSTRUCTION DEBRIS, TREE SLASH, BUILDING MATERIAL WASTES OR UNUSED BUILDING MATERIALS SHALL BE BURIED, DUMPED, OR DISCHARGED AT THE SITE.
- WASTE MATERIALS SHALL NOT BE TEMPORARILY PLACED OR STORED IN THE STREET, ALLEY, OR OTHER PUBLIC WAY, UNLESS IN ACCORDANCE WITH AN APPROVED TRAFFIC CONTROL PLAN. CONTROL MEASURES MAY BE REQUIRED BY EL PASO COUNTY ENGINEERING IF DEEMED NECESSARY, BASED ON SPECIFIC CONDITIONS AND CIRCUMSTANCES.
- TRACKING OF SOILS AND CONSTRUCTION DEBRIS OFF-SITE SHALL BE MINIMIZED. MATERIALS TRACKED OFF-SITE SHALL BE CLEANED UP AND PROPERLY DISPOSED OF IMMEDIATELY.
- THE OWNER/DEVELOPER SHALL BE RESPONSIBLE FOR THE REMOVAL OF ALL CONSTRUCTION DEBRIS, DIRT, TRASH, ROCK, SEDIMENT, SOIL, AND SAND THAT MAY ACCUMULATE IN ROADS, STORM DRAINS AND OTHER DRAINAGE CONVEYANCE SYSTEMS AND STORMWATER APPURTENANCES AS A RESULT OF SITE DEVELOPMENT.
- THE QUANTITY OF MATERIALS STORED ON THE PROJECT SITE SHALL BE LIMITED, AS MUCH AS PRACTICAL, TO THAT QUANTITY REQUIRED TO PERFORM THE WORK IN AN ORDERLY SEQUENCE. ALL MATERIALS STORED ON-SITE SHALL BE STORED IN A NEAT, ORDERLY MANNER, IN THEIR ORIGINAL CONTAINERS, WITH ORIGINAL MANUFACTURER'S LABELS.
- NO CHEMICAL(S) HAVING THE POTENTIAL TO BE RELEASED IN STORMWATER ARE TO BE STORED OR USED ONSITE UNLESS PERMISSION FOR THE USE OF SUCH CHEMICAL(S) IS GRANTED IN WRITING BY THE ECM ADMINISTRATOR. IN GRANTING APPROVAL FOR THE USE OF SUCH CHEMICAL(S), SPECIAL CONDITIONS AND MONITORING MAY BE REQUIRED.
- BULK STORAGE OF ALLOWED PETROLEUM PRODUCTS OR OTHER ALLOWED LIQUID CHEMICALS IN EXCESS OF 55 GALLONS SHALL REQUIRE ADEQUATE SECONDARY CONTAINMENT PROTECTION TO CONTAIN ALL SPILLS ONSITE AND TO PREVENT ANY SPILLED MATERIALS FROM ENTERING STATE WATERS, ANY SURFACE OR SUBSURFACE STORM DRAINAGE SYSTEM OR OTHER FACILITIES.
- NO PERSON SHALL CAUSE THE IMPEDIMENT OF STORMWATER FLOW IN THE CURB AND GUTTER OR DITCH EXCEPT WITH APPROVED SEDIMENT CONTROL MEASURES.
- OWNER/DEVELOPER AND THEIR AGENTS SHALL COMPLY WITH THE "COLORADO WATER QUALITY CONTROL ACT" (TITLE 25, ARTICLE 8, CRS), AND THE "CLEAN WATER ACT" (33 USC 1344), IN ADDITION TO THE REQUIREMENTS OF THE LAND DEVELOPMENT CODE, DCM VOLUME II AND THE ECM APPENDIX I. ALL APPROPRIATE PERMITS MUST BE OBTAINED BY THE CONTRACTOR PRIOR TO CONSTRUCTION (1041, NPDES, FLOODPLAIN, 404, FUGITIVE DUST, ETC.). IN THE EVENT OF CONFLICTS BETWEEN THESE REQUIREMENTS AND OTHER LAWS, RULES, OR REGULATIONS OF OTHER FEDERAL, STATE, LOCAL, OR COUNTY AGENCIES, THE MOST RESTRICTIVE LAWS, RULES, OR REGULATIONS SHALL APPLY.
- ALL CONSTRUCTION TRAFFIC MUST ENTER/EXIT THE SITE ONLY AT APPROVED CONSTRUCTION ACCESS POINTS.
- PRIOR TO CONSTRUCTION THE PERMITTEE SHALL VERIFY THE LOCATION OF EXISTING UTILITIES.
- A WATER SOURCE SHALL BE AVAILABLE ON SITE DURING EARTHWORK OPERATIONS AND SHALL BE UTILIZED AS REQUIRED TO MINIMIZE DUST FROM EARTHWORK EQUIPMENT AND WIND.
- THE SOILS REPORT FOR THIS SITE HAS BEEN PREPARED BY CTL THOMPSON, DATED JULY 13, 2006 AND SHALL BE CONSIDERED A PART OF THESE PLANS.
- AT LEAST TEN (10) DAYS PRIOR TO THE ANTICIPATED START OF CONSTRUCTION, FOR PROJECTS THAT WILL DISTURB ONE (1) ACRE OR MORE, THE OWNER OR OPERATOR OF CONSTRUCTION ACTIVITY SHALL SUBMIT A PERMIT APPLICATION FOR STORMWATER DISCHARGE TO THE COLORADO DEPARTMENT OF PUBLIC HEALTH AND ENVIRONMENT, WATER QUALITY DIVISION. THE APPLICATION CONTAINS CERTIFICATION OF COMPLETION OF A STORMWATER MANAGEMENT PLAN (SWMP), OF WHICH THIS GRADING AND EROSION CONTROL PLAN MAY BE A PART. FOR INFORMATION OR APPLICATION MATERIALS CONTACT:

COLORADO DEPARTMENT OF PUBLIC HEALTH AND ENVIRONMENT
 WATER QUALITY CONTROL DIVISION
 WQCD - PERMITS
 4300 CHERRY CREEK DRIVE SOUTH
 DENVER, CO 80246-1530
 ATTN: PERMITS UNIT

EXISTING VEGETATION:
 NATIVE GRASSES (APPROXIMATELY 70 PERCENT COVERAGE)

SEEDING MIX:		AMOUNT IN PLS
GRASS	VARIETY	LBS. PER ACRE
CRESTED WHEAT GRASS	EPHRAIM OR HYCREST	4.0 LBS.
PERENIAL RYE	LINN	2.0 LBS.
WESTERN WHEATGRASS	SARTON	3.0 LBS.
SMOOTH BROME GRASS	LINCOLN OR MANCHAR	5.0 LBS.
SIDEOATS GRAMA	EPHRAIM	2.5 LBS.
TOTAL:		16.5 LBS.

SEEDING & FERTILIZER APPLICATION: DRILL SEED OR HYDRO-SEED PER CDOT SPEC. SECTION 212.

MULCHING APPLICATION: CONFORM TO CDOT SPEC-SECTION 213.

SEEDING MIX:

SEEDING MIX:		AMOUNT IN PLS
GRASS	VARIETY	LBS. PER ACRE
CRESTED WHEAT GRASS	EPHRAIM OR HYCREST	4.0 LBS.
PERENIAL RYE	LINN	2.0 LBS.
WESTERN WHEATGRASS	SARTON	3.0 LBS.
SMOOTH BROME GRASS	LINCOLN OR MANCHAR	5.0 LBS.
SIDEOATS GRAMA	EPHRAIM	2.5 LBS.
TOTAL:		16.5 LBS.

SEEDING & FERTILIZER APPLICATION: DRILL SEED OR HYDRO-SEED PER CDOT SPEC. SECTION 212.

MULCHING APPLICATION: CONFORM TO CDOT SPEC-SECTION 213.

CONTROL MEASURE/BMP PHASING:
INITIAL BMP'S (REFER TO PUDSP EGP):

- VTC AT SPRINGS ROAD
- VTC AT NEW LOG ROAD
- SILT FENCE ALONG DOWNSTREAM EDGE OF GRADING LIMITS
- SEDIMENT BASINS

INTERIM BMP'S:

- INLET PROTECTION
- TEMPORARY SEED & MULCH

FINAL BMP'S:

- SEEDING & MULCHING

NOTE:

EXISTING VEGETATION IS LIMITED TO NATIVE GRASSES AND SHRUBS.

BMP SEQUENCING NOTES:

- INSTALLATION OF INITIAL BMP'S
- INSPECTION OF INITIAL BMP'S BY COUNTY STAFF
- PRECONSTRUCTION MEETING WITH COUNTY STAFF
- THE MAXIMUM AREA TO BE OPENED AT ANY TIME IS 30 ACRES, AND THE MAXIMUM HEIGHT OF STOCKPILES IS TO BE 10- FEET

ESTIMATED TIME SCHEDULE:

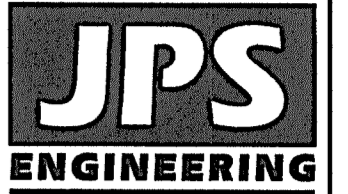
INSTALL BMP'S APRIL, 2022
 GRADING START APRIL, 2022
 GRADING COMPLETION DECEMBER, 2022
 SEEDING & MULCHING AUGUST, 2023
 STABILIZATION AUGUST, 2024

SEDIMENT CONTROL MAINTENANCE PROGRAM:

FREQUENCY
 PERIODIC SITE INSPECTIONS BI-WEEKLY¹
 RE-VEGETATION OF EXPOSED SOILS WITHIN 21 DAYS OF GRADING
 SEDIMENT REMOVAL FROM BMP'S MONTHLY²
 REMOVAL OF BMP'S AFTER STABILIZATION ACHIEVED

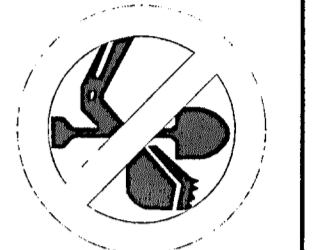
¹ AND AFTER ANY PRECIPITATION OR SNOW MELT EVENT THAT CAUSES SURFACE EROSION.

² ACCUMULATED SEDIMENT AND DEBRIS SHALL BE REMOVED WHEN THE SEDIMENT LEVEL REACHES ONE HALF THE HEIGHT OF THE BMP OR AT ANY TIME THAT SEDIMENT OR DEBRIS ADVERSELY IMPACTS THE FUNCTION OF THE BMP.



19 E. Willamette Ave.
 Colorado Springs, CO
 80903

PH: 719-477-9429
 FAX: 719-471-0766
 www.jpsegr.com



CALL UTILITY NOTIFICATION CENTER OF COLORADO
 1-800-922-1987
 CALL 2-BUSINESS DAYS IN ADVANCE BEFORE YOU DIG, GRADE, OR EXCAVATE FOR THE PROTECTION OF MEMBER UTILITIES.

MAYBERRY, COLORADO SPRINGS - FILING NO. 1A

No.	REVISION	BY	DATE

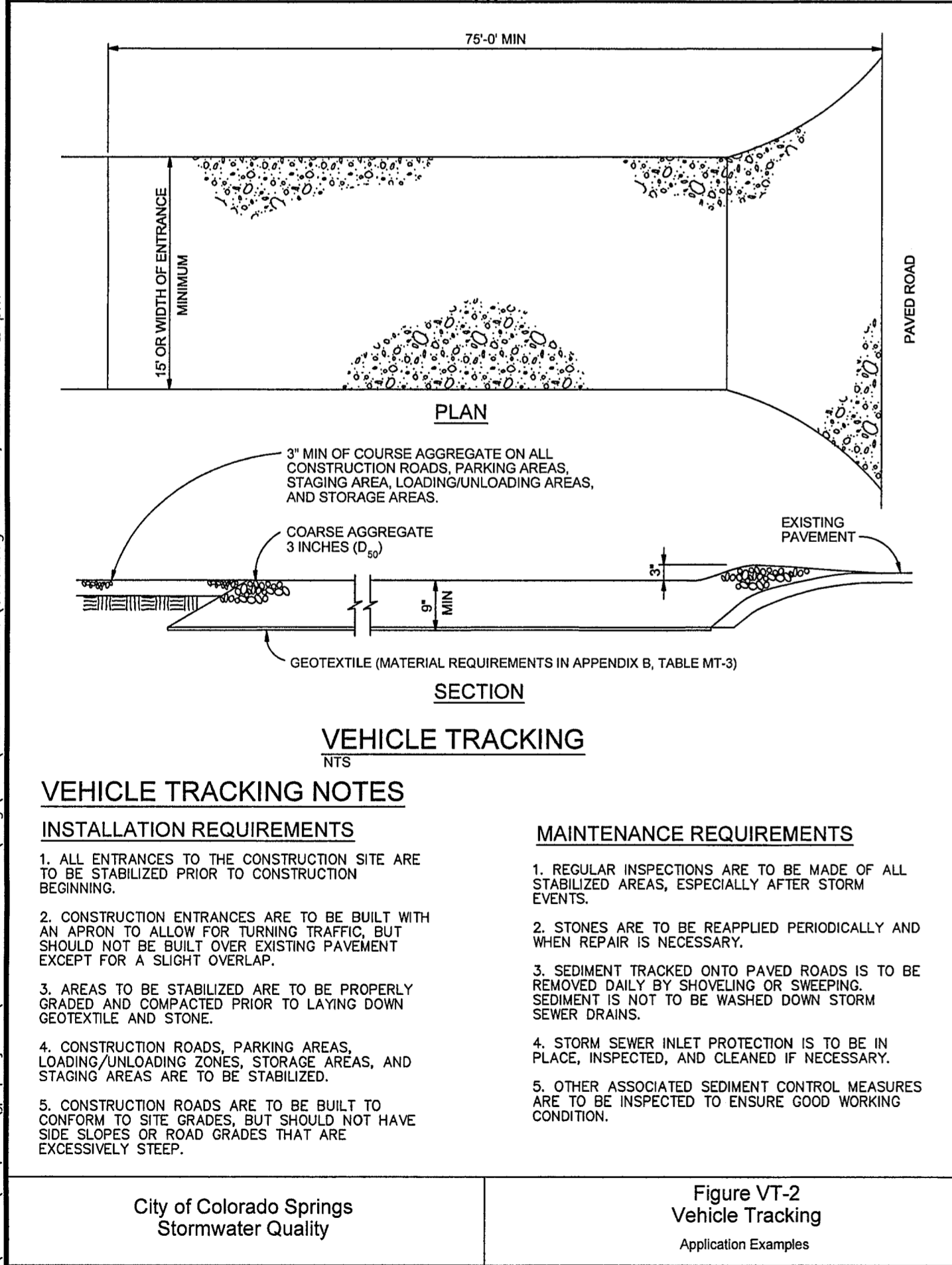
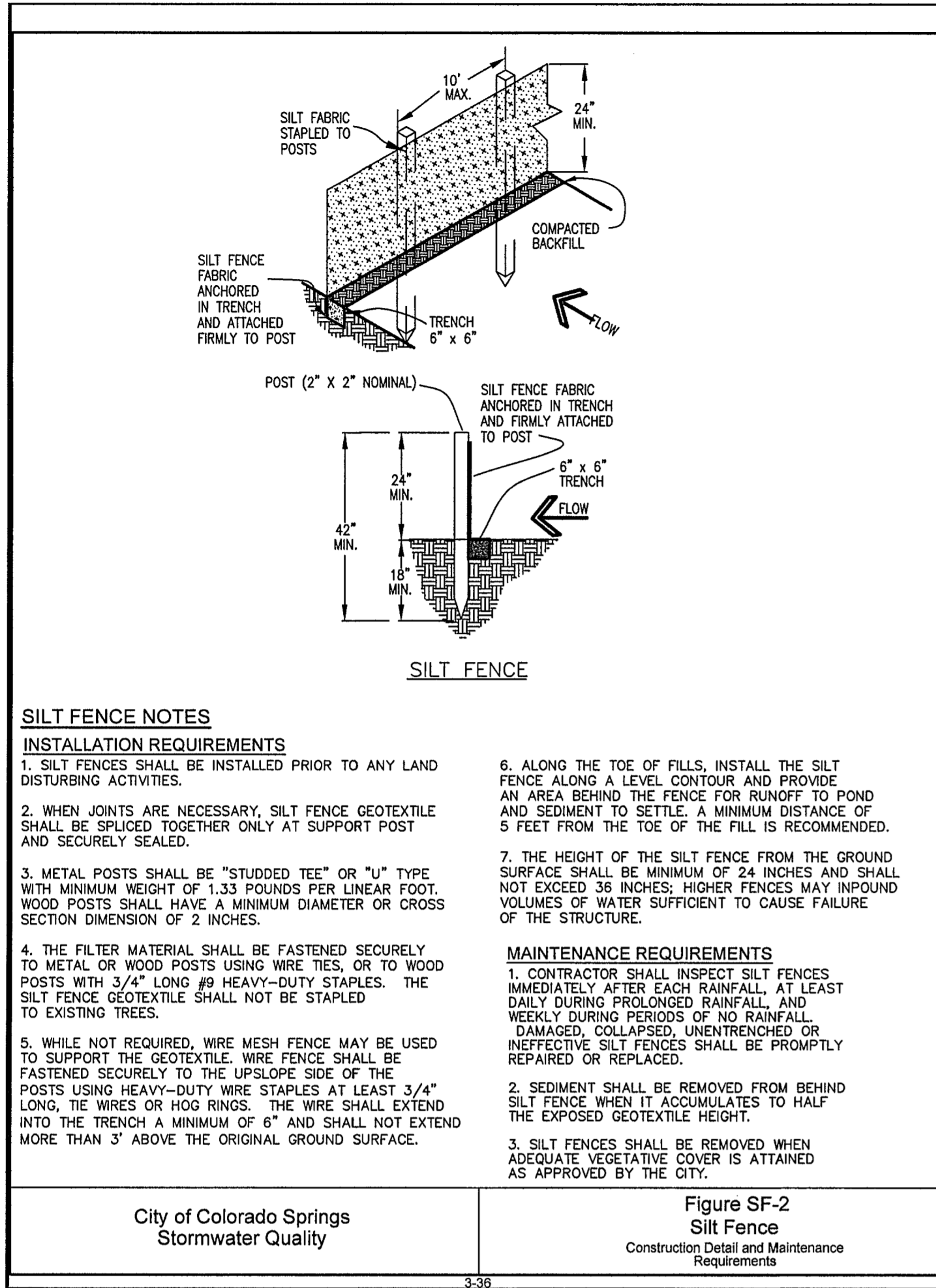
EROSION CONTROL NOTES



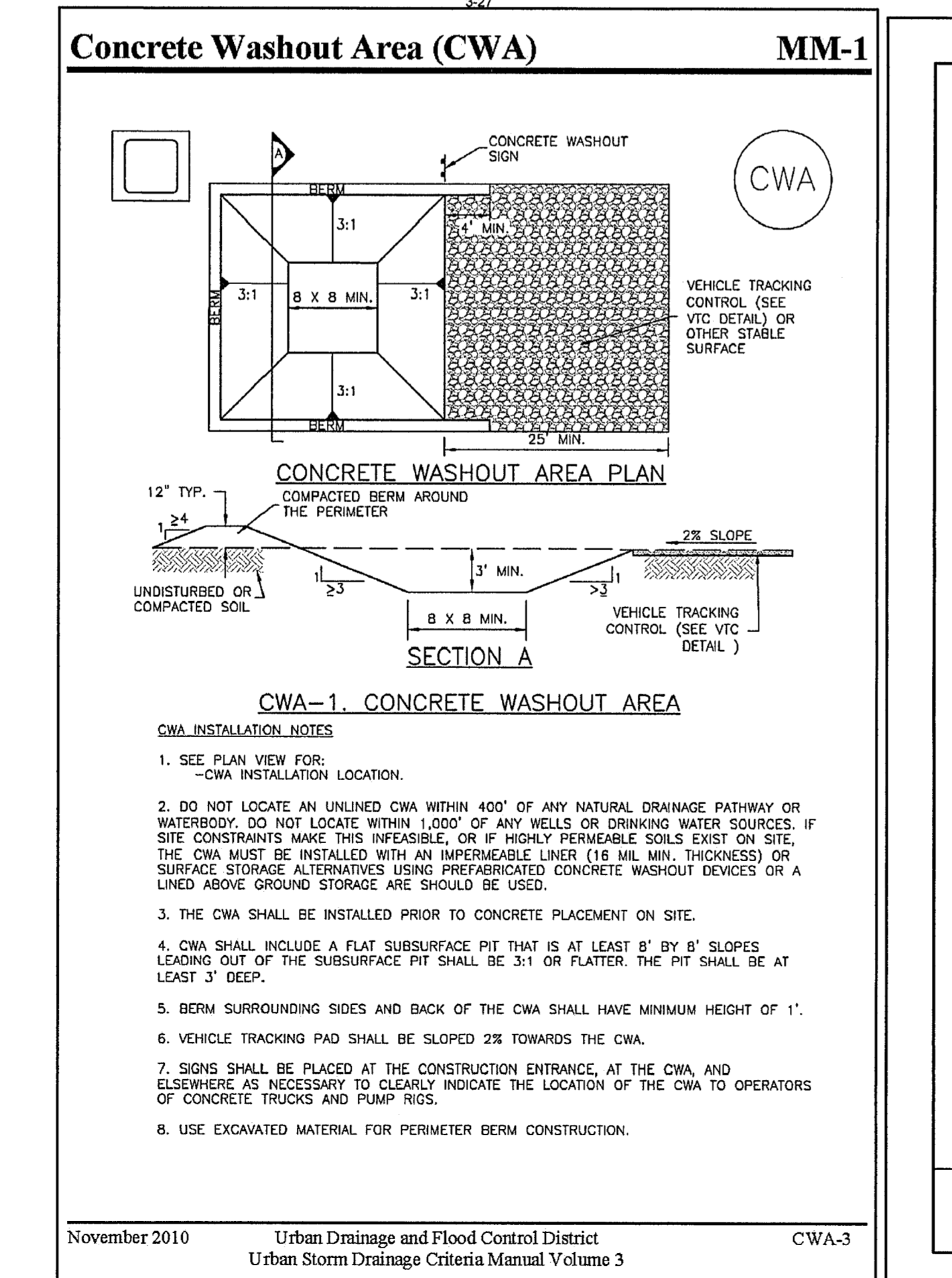
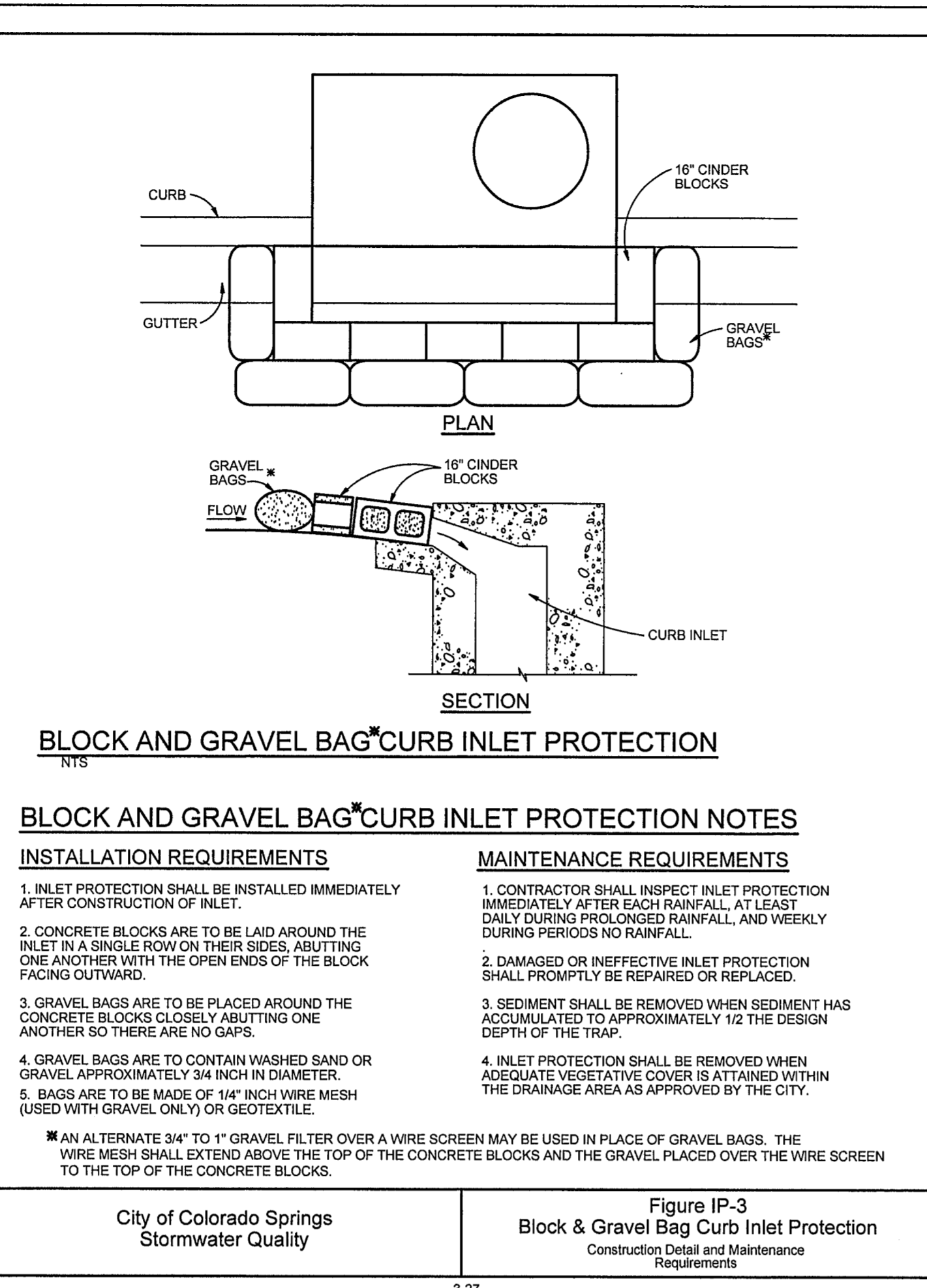
HORIZ. SCALE:	NTS	DRAWN:	BJJ
VERT. SCALE:	N/A	DESIGNED:	JPS
SURVEYED:	R&R	CHECKED:	JPS
CREATED:	4/14/20	LAST MODIFIED:	6/10/22
PROJECT NO:	090001	MODIFIED BY:	BJJ

C1.4A

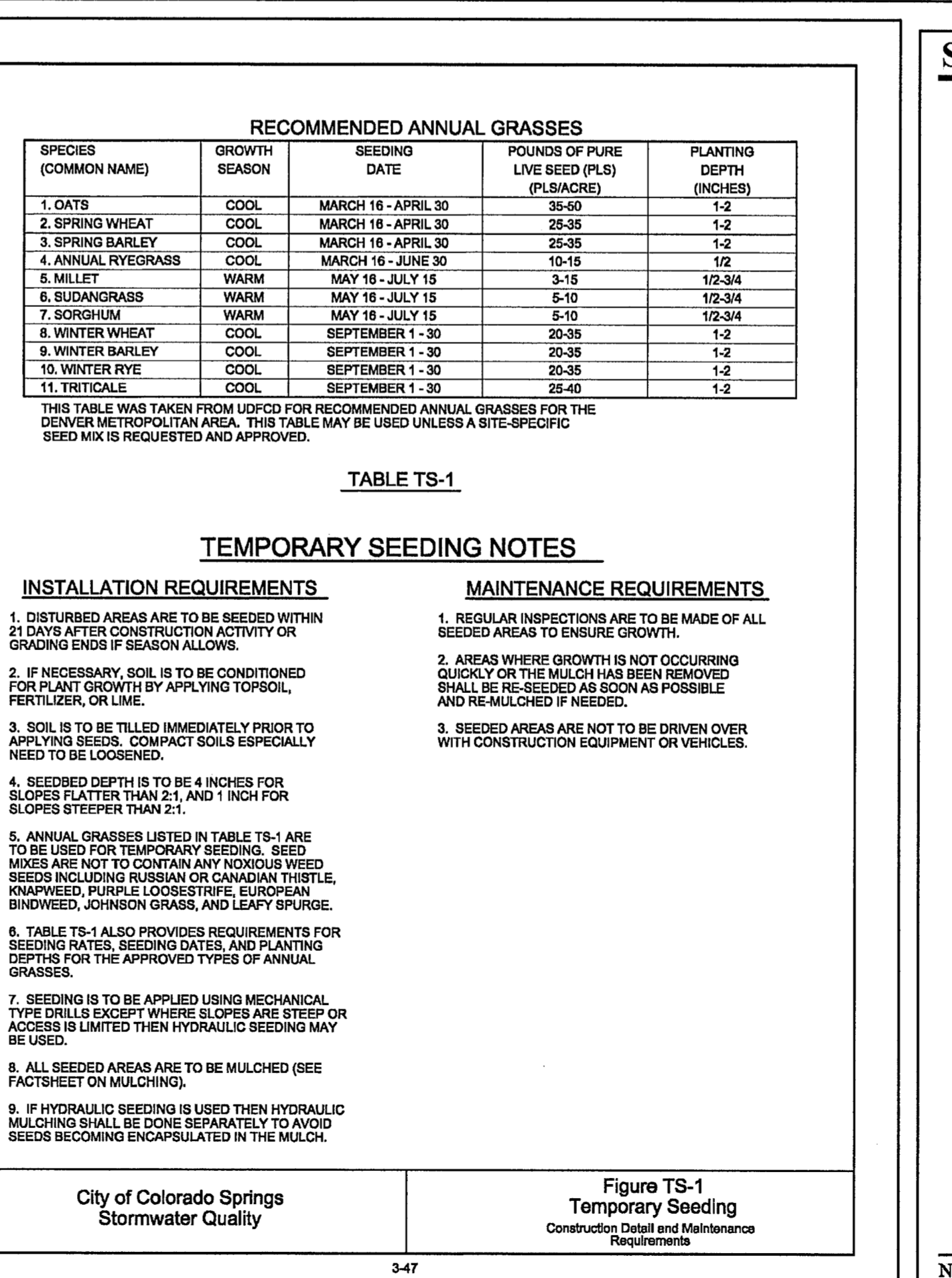
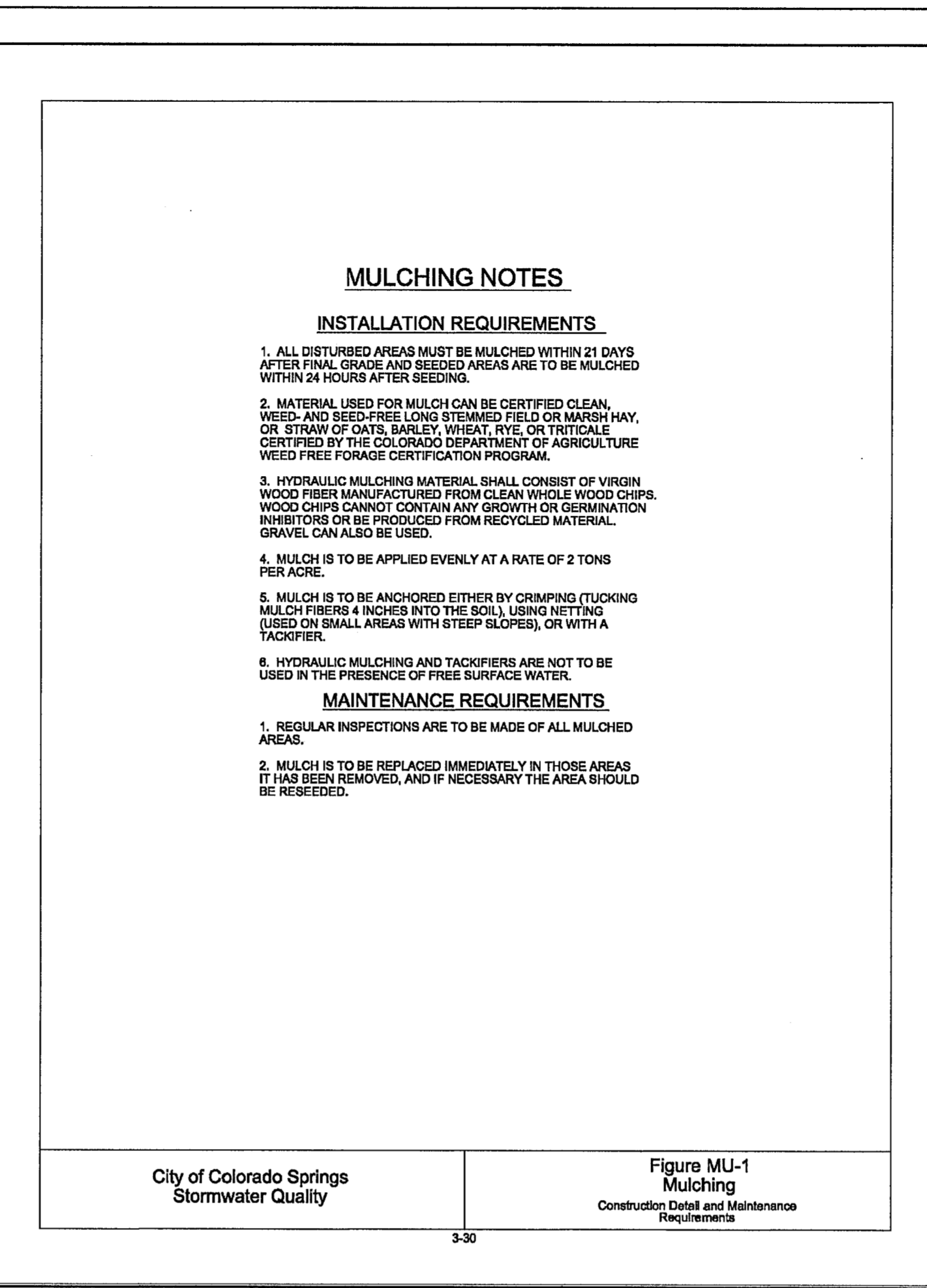
C:\Users\Owner\Desktop\Projects\090001\Ellicott\CD\Drawings\ELICOTT\CD\1-REPL\AT\CI.4.dwg Jun 09, 2022 - 2:19pm



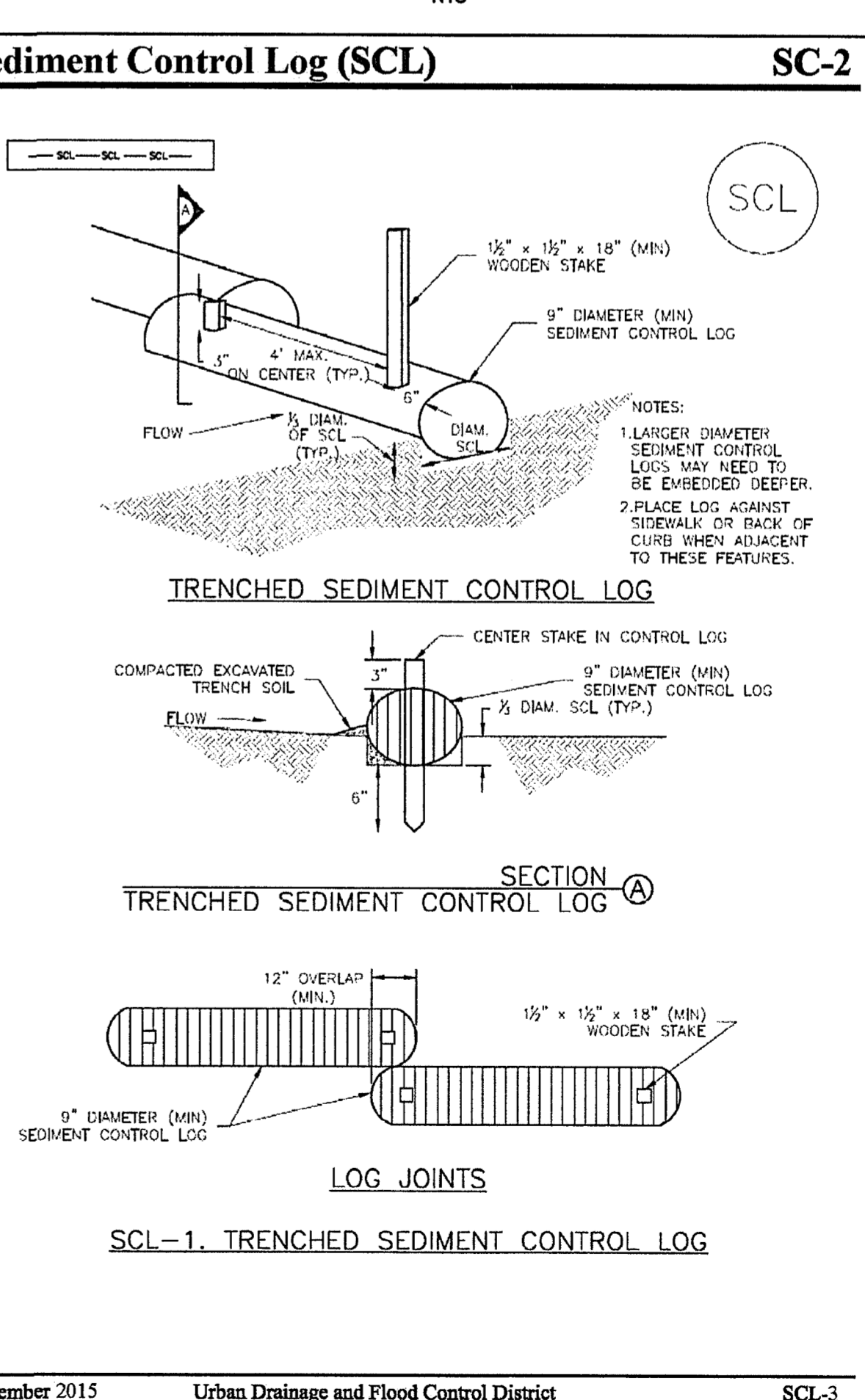
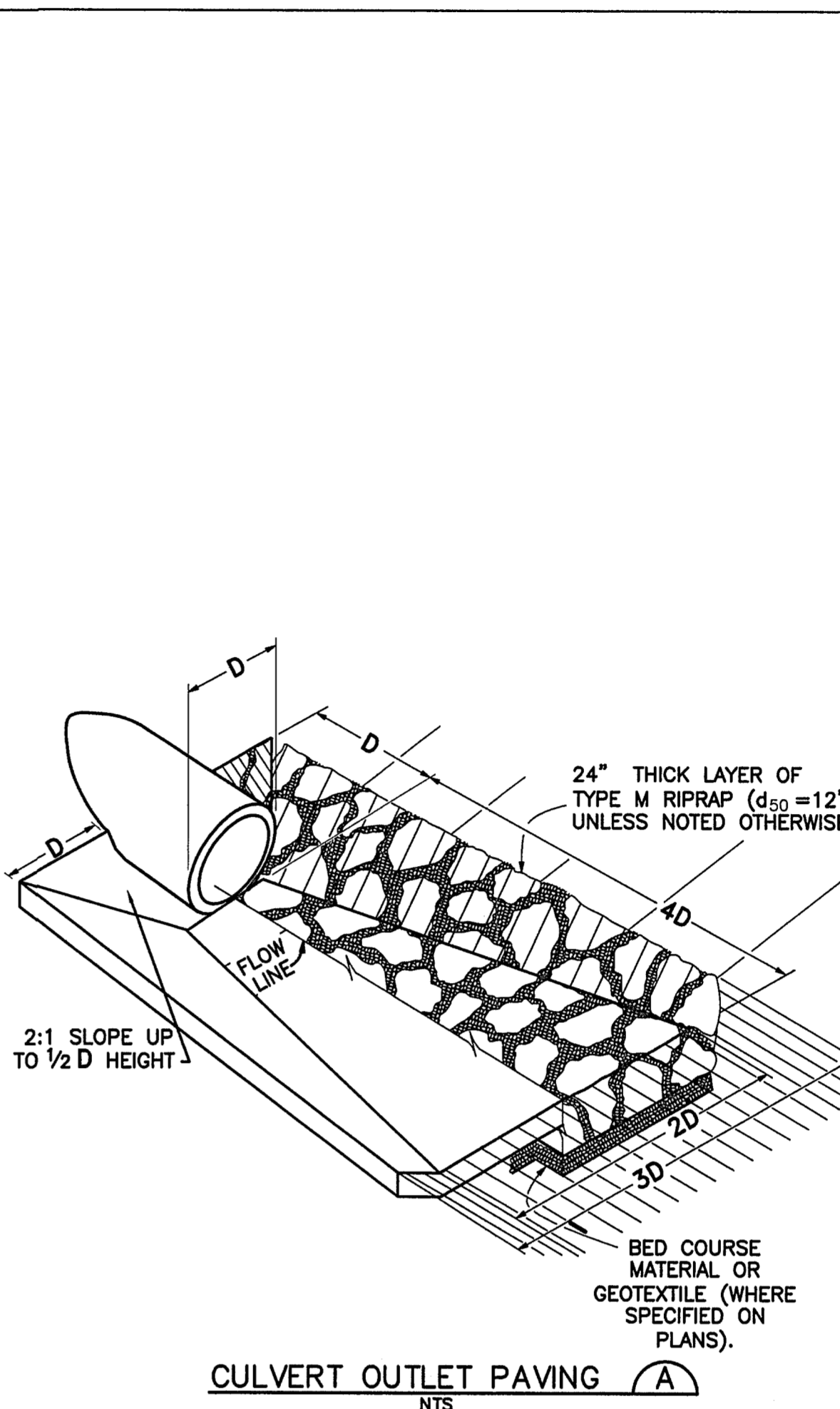
City of Colorado Springs Stormwater Quality
Figure VT-2 Vehicle Tracking
Application Examples
3-54



City of Colorado Springs Stormwater Quality
Figure IP-3 Block & Gravel Bag Curb Inlet Protection
Construction Detail and Maintenance Requirements
3-27



City of Colorado Springs Stormwater Quality
Figure TS-1 Temporary Seeding
Construction Detail and Maintenance Requirements
3-47



City of Colorado Springs Stormwater Quality
Figure SC-2 Sediment Control Log
Construction Detail and Maintenance Requirements
3-48

MAYBERRY, COLORADO SPRINGS - FILING NO. 1A

JPS ENGINEERING
19 E. Willamette Ave.
Colorado Springs, CO 80903
PH: 719-477-9429
FAX: 719-471-0766
www.jpsegr.com

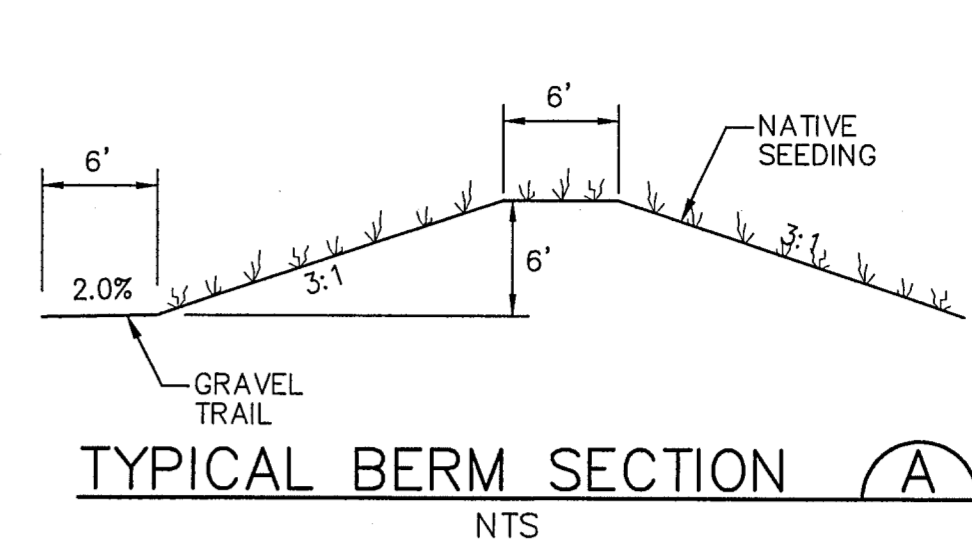
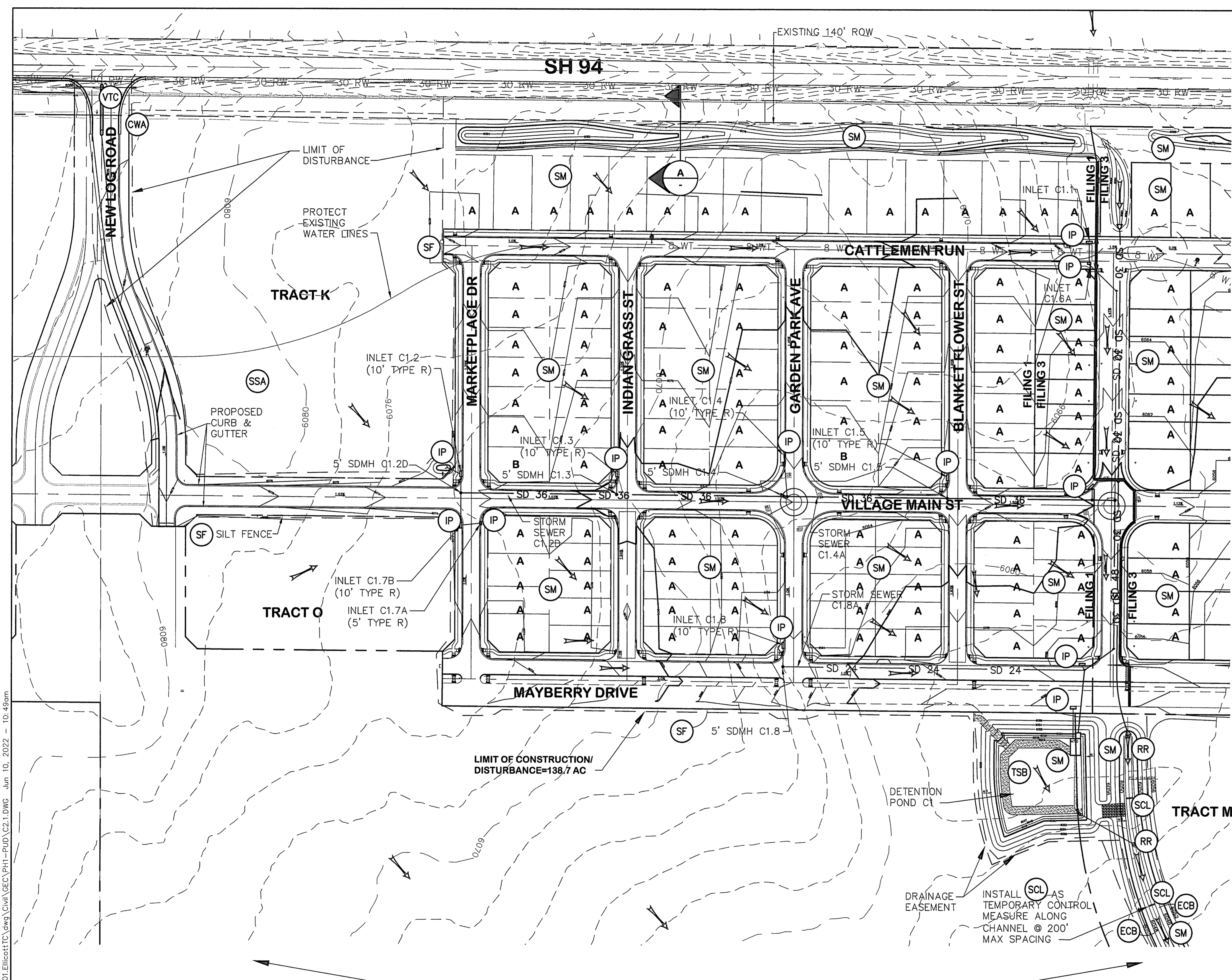
CALL UTILITY NOTIFICATION CENTER OF COLORADO
1-800-922-1987
SMALL BUSINESS DAYS IN ADVANCE FOR THE MARKING OF UNDERGROUND MEMBER UTILITIES.

NO.	REVISION	DATE	BY
A	EPC COMMENTS	1/15/07	JPS
B	2018 SUBMITTAL	8/22/18	JPS
C	EPC COMMENTS	9/12/19	JPS
D	EPC COMMENTS	1/31/20	JPS
E	EPC COMMENTS	4/17/20	JPS

EROSION CONTROL DETAILS

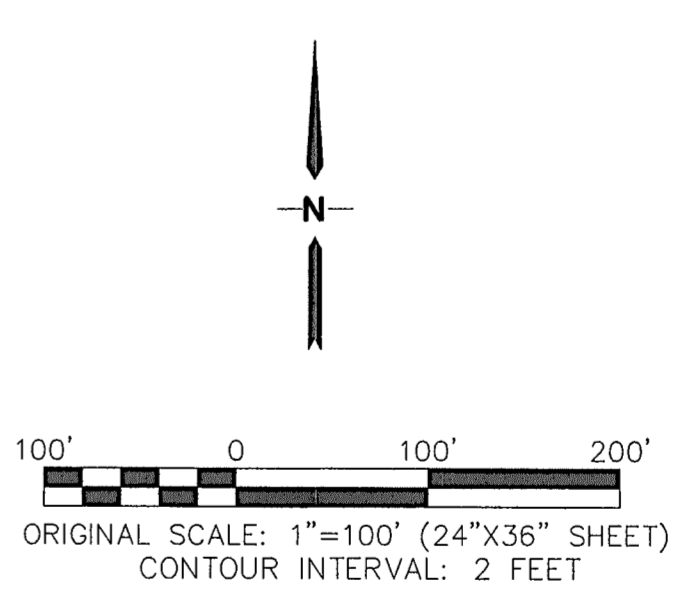
DESIGNED BY: BJJ
CHECKED BY: JPS
CREATED: 4/14/20
LAST MODIFIED: 11/18/21
PROJECT NO: 090001
MODIFIED BY: BJJ
SHEET: C1.4B

C:\Users\Owner\Desktop\Projects\090001\Ellicott\TC.dwg - 11-18-2021 1:27pm



- LEGEND:**
- PROPERTY LINES
 - - - 6490 EXISTING CONTOURS
 - - - 6490 PROPOSED CONTOURS
 - - - LIMIT OF DISTURBANCE
 - X 99.00 PROPOSED SPOT ELEVATION (FLOWLINE)
 - PROPOSED STREET PROFILE GRADE
 - A/B OVERLOT GRADING LOT TYPE (SEE SH. C2.1)

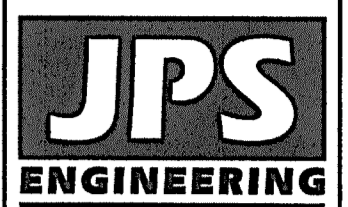
- EROSION CONTROL LEGEND:**
- (IP) INLET PROTECTION (GRAVEL FILTER)
 - (SF) SILT FENCE
 - (VTC) VEHICLE TRACKING CONTROL PAD
 - (TM) TEMPORARY SEED AND MULCH ON DISTURBED SLOPES
 - (STB) STRAW BALE BARRIER
 - (TSB) TEMPORARY SEDIMENT BASIN
 - (RR) RIPRAP
 - (SM) SEED AND MULCH
 - (SCL) SEDIMENT CONTROL LOG
 - (ECB) EROSION CONTROL BLANKETS
 - (CWA) CONCRETE WASHOUT AREA
 - (SSA) STABILIZED STAGING AREA



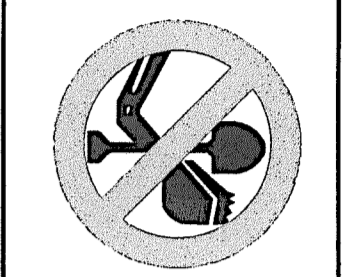
REFER TO PREVIOUSLY APPROVED FILING NO. 1 GEC PLANS (SF-18-025)

MAYBERRY, COLORADO SPRINGS - FILING NO. 1A

FILING 1A GRADING & EROSION CONTROL PLAN



19 E. Willamette Ave.
Colorado Springs, CO 80903
PH: 719-477-9429
FAX: 719-471-0766
www.jpseng.com



CALL UTILITY NOTIFICATION CENTER OF COLORADO
1-800-922-1987
CALL 2-BUSINESS DAYS IN ADVANCE BEFORE YOU DIG, GRADE, OR EXCAVATE FOR THE MEMBER UTILITIES.

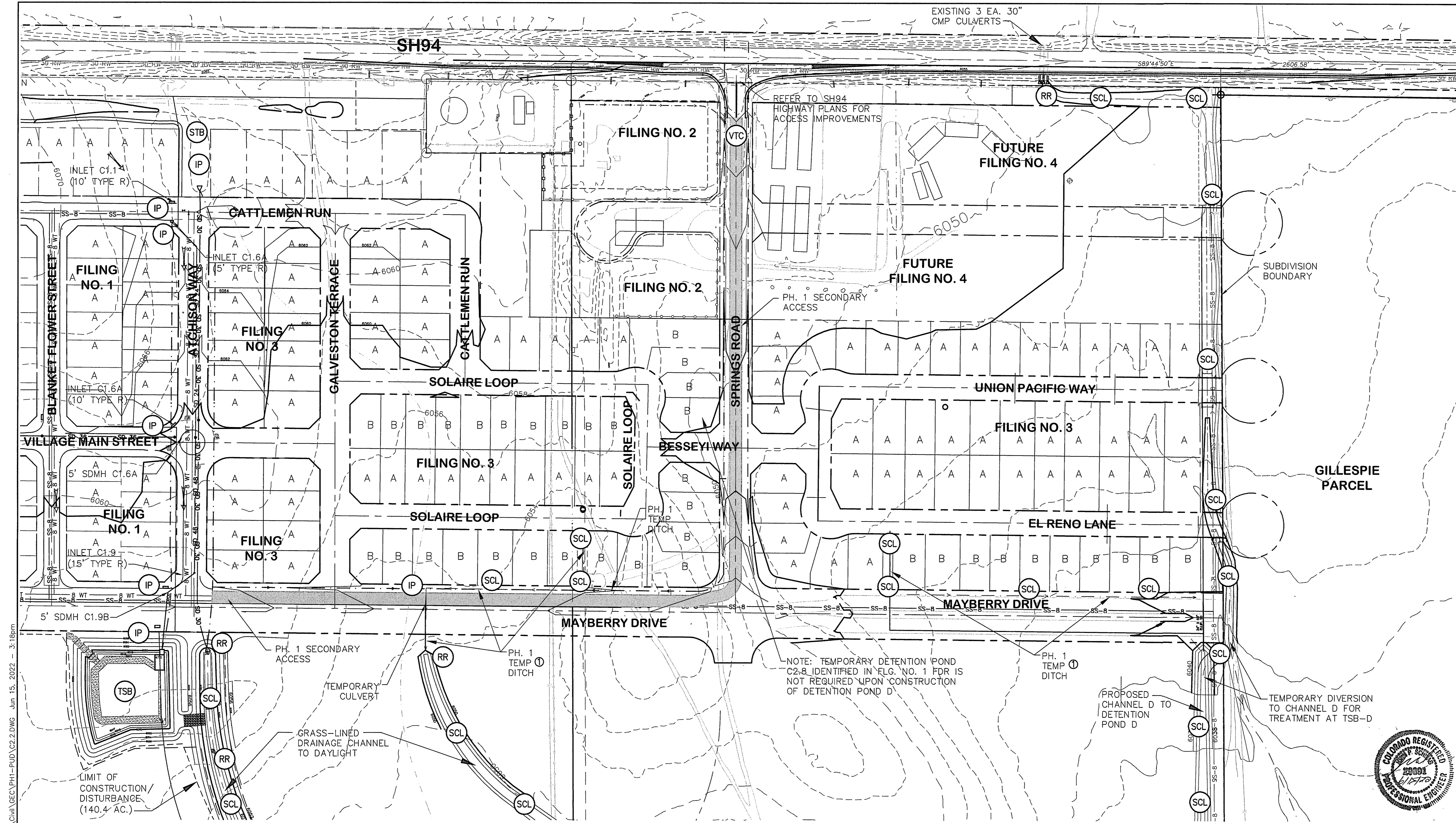
No.	REVISION	DATE	BY
1	EPC COMMENTS	9/22/20	JPS
2	EPC COMMENTS	10/27/20	JPS
3	EPC COMMENTS	8/30/21	JPS
4	EPC COMMENTS	2/15/22	JPS
5	EPC COMMENTS	6/10/22	JPS

HORIZ. SCALE: 1"=100'	DRAWN: RMD
VERT. SCALE: N/A	DESIGNED: JPS
SURVEYED: R&R	CHECKED: JPS
CREATED: 12/03/00	LAST MODIFIED: 6/10/22
PROJECT NO: 090001	MODIFIED BY: JPS

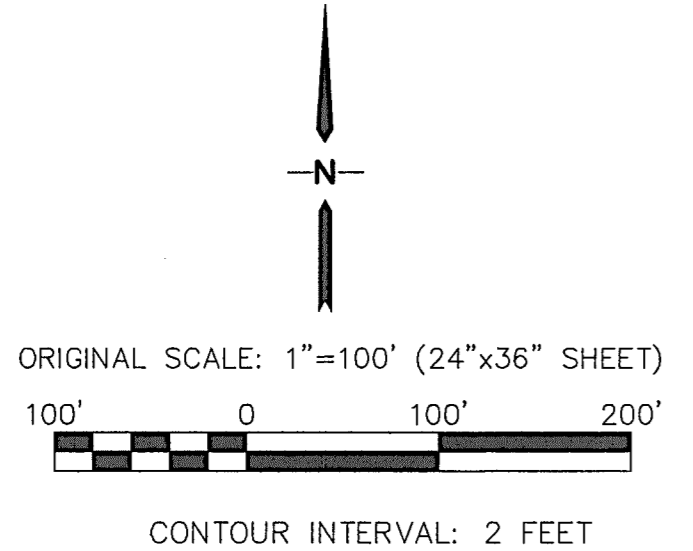


SHEET: **C2.1**

C:\Users\Owner\Desktop\proj\projects\090001\Elliptical\TC.dwg Civil\GEC\PHI-PUD\C2.1.DWG Jun 10, 2022 - 10:48am



C:\Users\Michael\Dropbox\paprojects\090001\Ellicott\Civil\GEC\PH1-PUD\C2.2.DWG Jun. 15, 2022 - 3:16pm



KEYED NOTE:
 ① PROVIDE TEMPORARY DITCH AT FUTURE STORM DRAIN LOCATIONS (MIN. 2' DEEP; 3:1 SIDE SLOPES)

- LEGEND:**
- FILING LIMITS
 - - - 6490 --- EXISTING CONTOURS
 - 6490 — PROPOSED CONTOURS
 - x 99.00 PROPOSED SPOT ELEVATION (FLOWLINE)
 - PROPOSED STREET PROFILE GRADE
 - A / B OVERLOT GRADING LOT TYPE (SEE SH. C2.1)

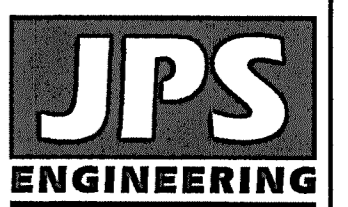
EROSION CONTROL LEGEND:

- IP INLET PROTECTION (GRAVEL FILTER)
- SF SILT FENCE
- VTC VEHICLE TRACKING PAD
- TM TEMPORARY SEED AND MULCH ON DISTURBED SLOPES
- STB STRAW BALE BARRIER
- SB SEDIMENT BASIN
- RR RIPRAP
- TSB TEMPORARY SEDIMENT BASIN

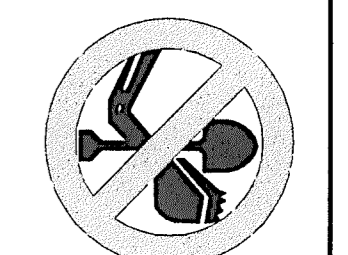


MAYBERRY, COLORADO SPRINGS - FILING NO. 2-4

FILING 2-4 GRADING & EROSION CONTROL PLAN



19 E. Willamette Ave.
 Colorado Springs, CO 80903
 PH: 719-477-9429
 FAX: 719-471-0766
 www.jpsegr.com

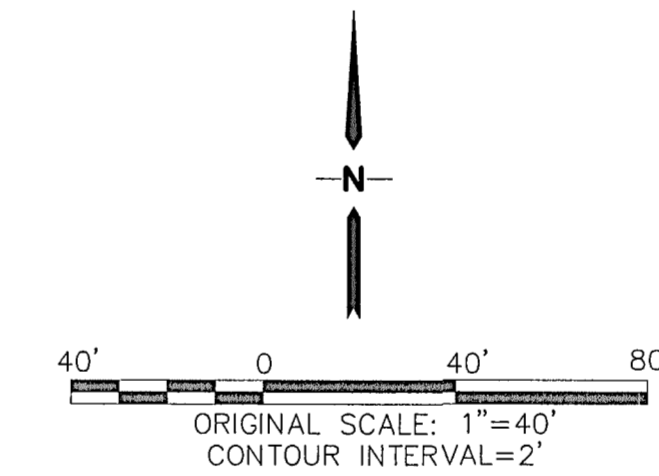
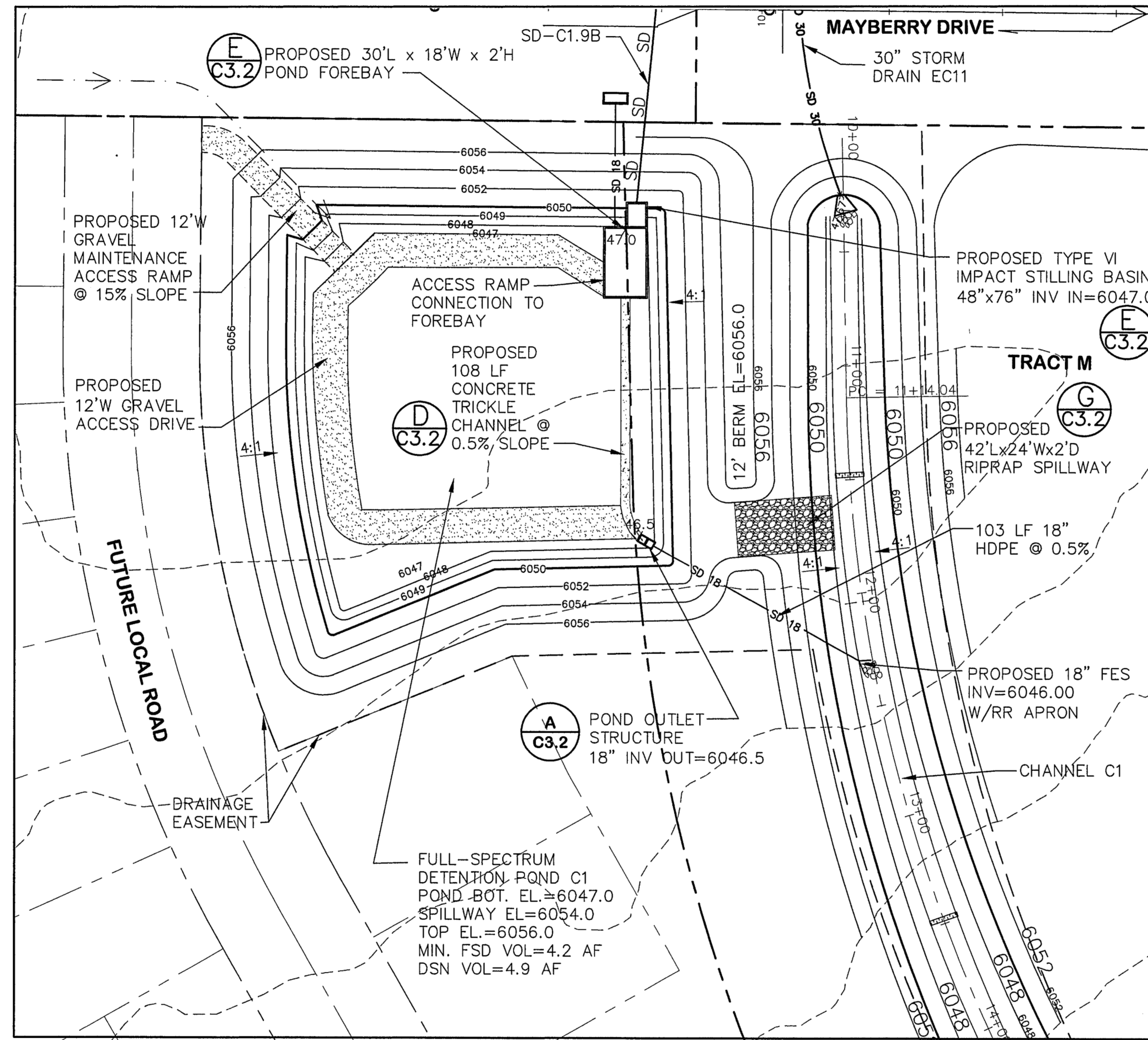


CALL UTILITY NOTIFICATION CENTER OF COLORADO
 1-800-922-1987
 CALL 2-BUSINESS DAYS IN ADVANCE BEFORE ANY EXCAVATION FOR THE MARKING OF UNDERGROUND MEMBER UTILITIES.

No.	REVISION	BY	DATE
A	FINAL PLAT SUBMITTAL	JPS	5/17/22
B	EPC COMMENTS	JPS	6/15/22

HORIZ. SCALE: 1"=100'	DRAWN: RMD
VERT. SCALE: N/A	DESIGNED: JPS
SURVEYED: R&R	CHECKED: JPS
CREATED: 1/14/19	LAST MODIFIED: 6/15/22
PROJECT NO: 090001	MODIFIED BY: MSP
SHEET:	C2.2-F1

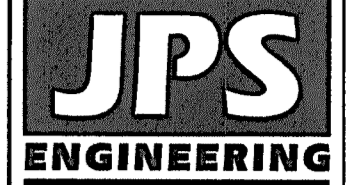
C:\Users\Owner\Desktop\projects\090001\Elicit\TC.dwg Civil\GEC\PHI-PUD\C3.1.dwg Jun 10, 2022 - 10:31am



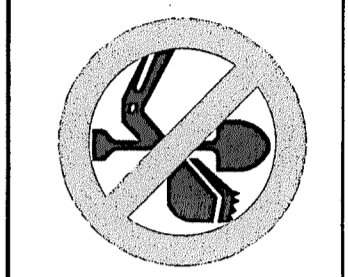
NOTE: 1. THIS PLAN WAS INITIALLY APPROVED AS SH. C1.5 WITHIN THE FILING NO. 1 GEC PLANS (SF 1825). CURRENT PLAN REVISIONS INCORPORATE UPDATES BASED ON THE FILING NO. 1A REPLAT.

MAYBERRY, COLORADO SPRINGS - FILING 1A

DETENTION POND C1 PLAN



19 E. Willamette Ave.
Colorado Springs, CO
80903
PH: 719-477-9429
FAX: 719-471-0766
www.jpsengr.com



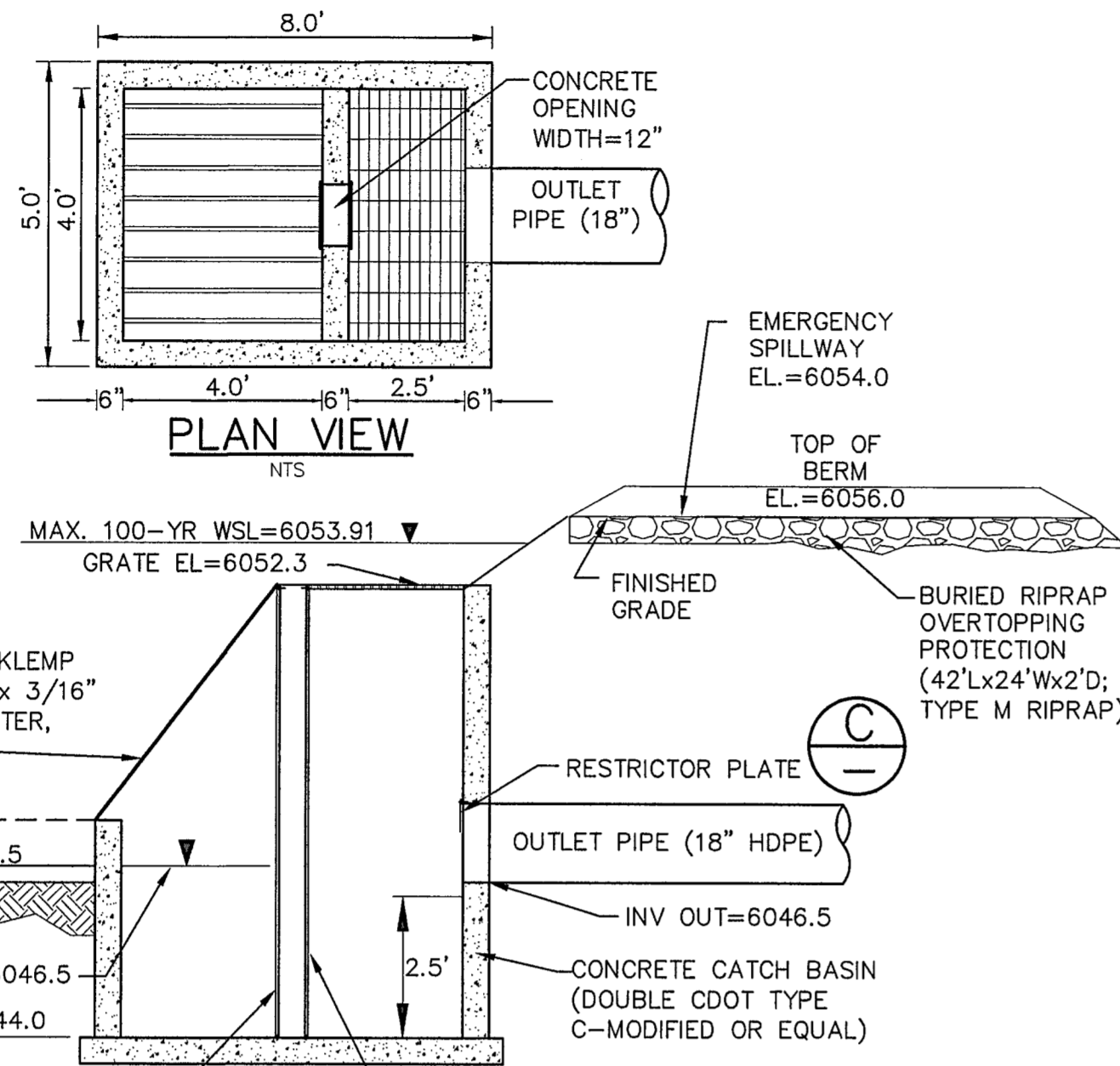
CALL UTILITY NOTIFICATION
CENTER OF COLORADO
1-800-922-1987
CALL 2-BUSINESS DAYS IN ADVANCE
BEFORE YOU DIG, GRADE, OR EXCAVATE
FOR THE HANGING UNDERGROUND
MEMBER UTILITIES.

No.	REVISION	BY	DATE
A	FLG-1A SUBMITTAL	JPS	11/19/21
B	EPC COMMENTS	JPS	2/21/22
C	EPC COMMENTS	JPS	4/7/22
D	EPC COMMENTS	JPS	6/10/22

HORIZ. SCALE: 1"=50'	DRAWN: BJJ
VERT. SCALE: N/A	DESIGNED: JPS
SURVEYED: R&R	CHECKED: JPS
CREATED: 4/4/06	LAST MODIFIED: 6/10/22
PROJECT NO: 090001	MODIFIED BY: JPS

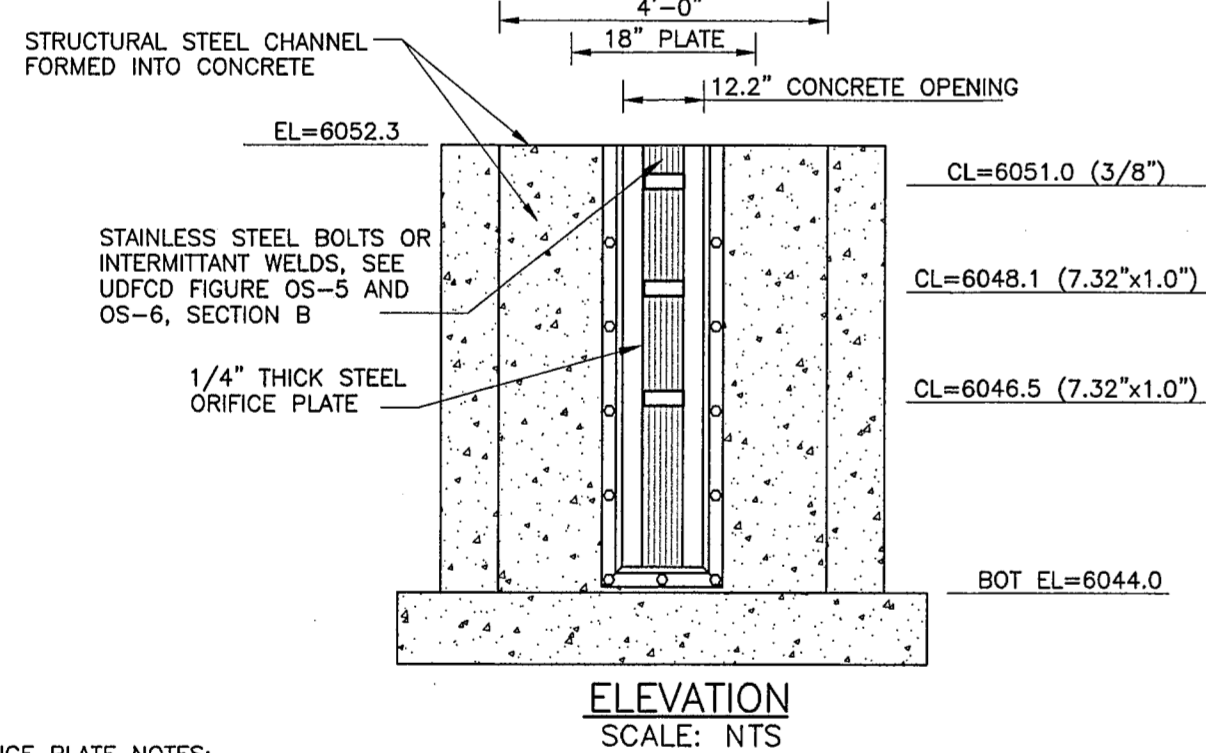
SHEET: **C3.1**

C:\Users\Owner\Dropbox\paprojects\090001\090001\GEC\PHI-PUD\C3.1.dwg Jun 09, 2022 4:23pm



TYPICAL DETENTION POND OUTLET STRUCTURE
SCALE: NTS

(B) VERTICAL TRASH SCREEN: AMICO-KLEMP SR SERIES W/CROSS RODS 2" O.C.; ATTACH BY INTERMITTENT WELDS TO C8x18.75 AMERICAN STEEL CHANNEL FORMED INTO CONCRETE BOTTOM AND SIDES OF OPENING IN WALL



ORIFICE PLATE AND TRASH RACK DETAILS AND NOTES (B)
NTS

ORIFICE PLATE NOTES:

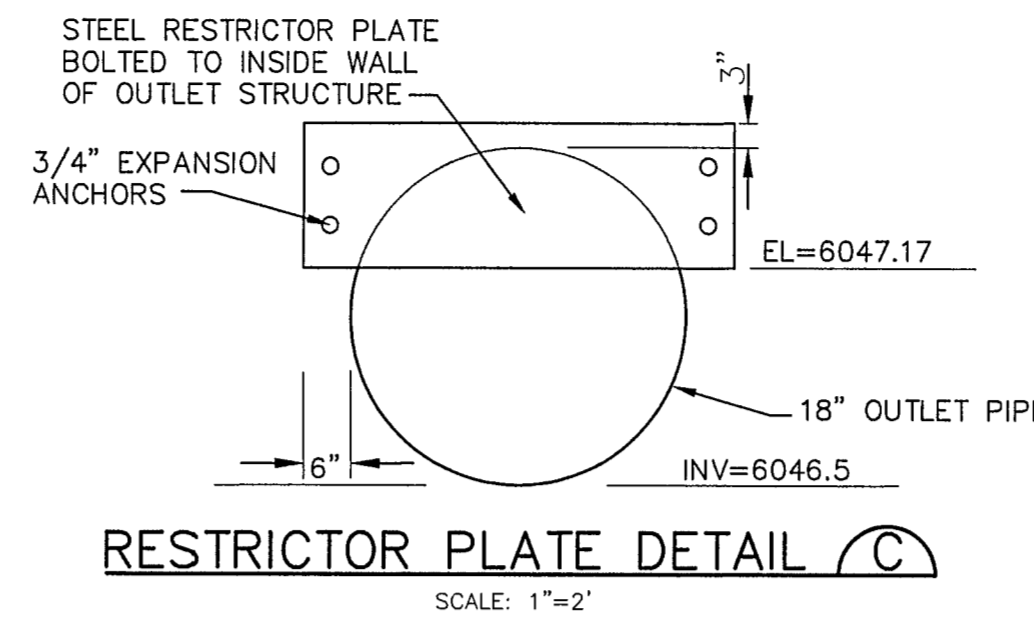
1. MINIMIZE THE NUMBER OF COLUMNS.
2. PROVIDE GASKET MATERIAL BETWEEN THE ORIFICE PLATE AND CONCRETE.
3. BOLT PLATE TO CONCRETE 12" MAX. ON CENTER.

EURV AND WQCV TRASH RACKS:

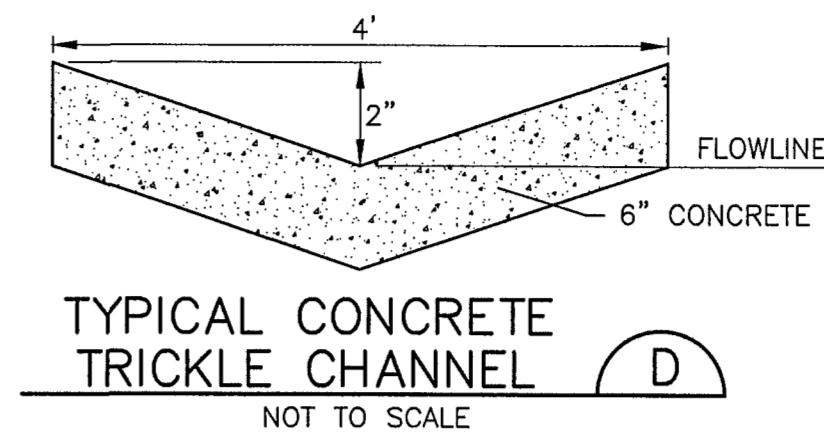
1. WELL-SCREEN TRASH RACKS (FOR CIRCULAR ORIFICES) SHALL BE ATTACHED BY INTERMITTENT WELDS ALONG THE EDGE OF THE MOUNTING FRAME.
2. STRUCTURAL DESIGN OF TRASH RACKS SHALL BE BASED ON FULL HYDROSTATIC HEAD WITH ZERO HEAD DOWNSTREAM OF THE RACK.

OVERFLOW TRASH RACKS:

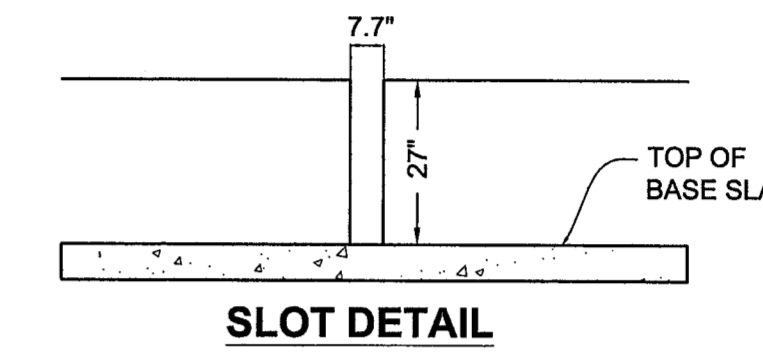
1. ALL TRASH RACKS SHALL BE MOUNTED USING STAINLESS STEEL HARDWARE AND PROVIDED WITH HINGED AND LOCKABLE OR BOLTABLE ACCESS PANELS.
2. TRASH RACKS SHALL BE STAINLESS STEEL, ALUMINUM, OR STEEL. STEEL TRASH RACKS SHALL BE HOT DIP GALVANIZED AND MAY BE HOT POWDER COATED AFTER GALVANIZING.
3. TRASH RACKS SHALL BE DESIGNED SUCH THAT THE DIAGONAL DIMENSION OF EACH OPENING IS SMALLER THAN THE DIAMETER OF THE OUTLET PIPE.
4. STRUCTURAL DESIGN OF TRASH RACKS SHALL BE BASED ON FULL HYDROSTATIC HEAD WITH ZERO HEAD DOWNSTREAM OF THE RACK.



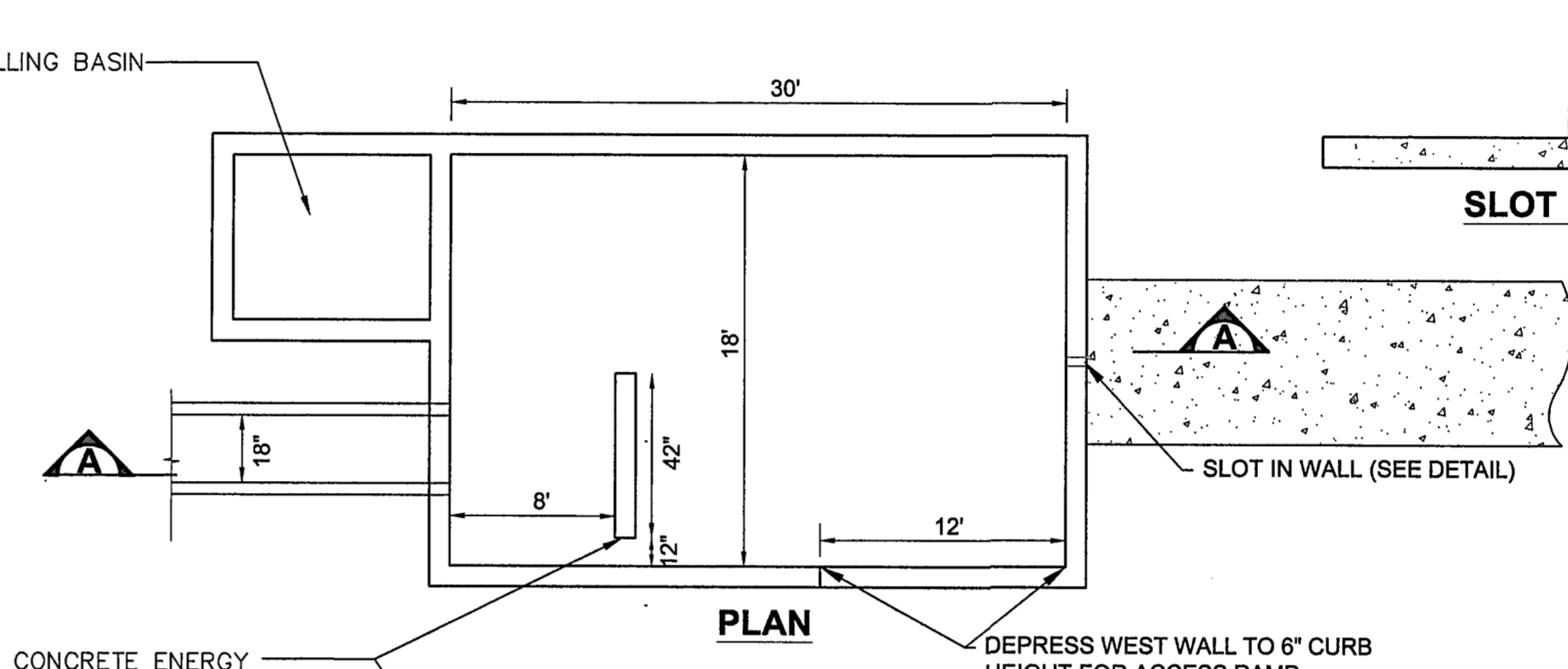
(C) RESTRICTOR PLATE DETAIL
SCALE: 1"=2'



TYPICAL CONCRETE TRICKLE CHANNEL
NOT TO SCALE



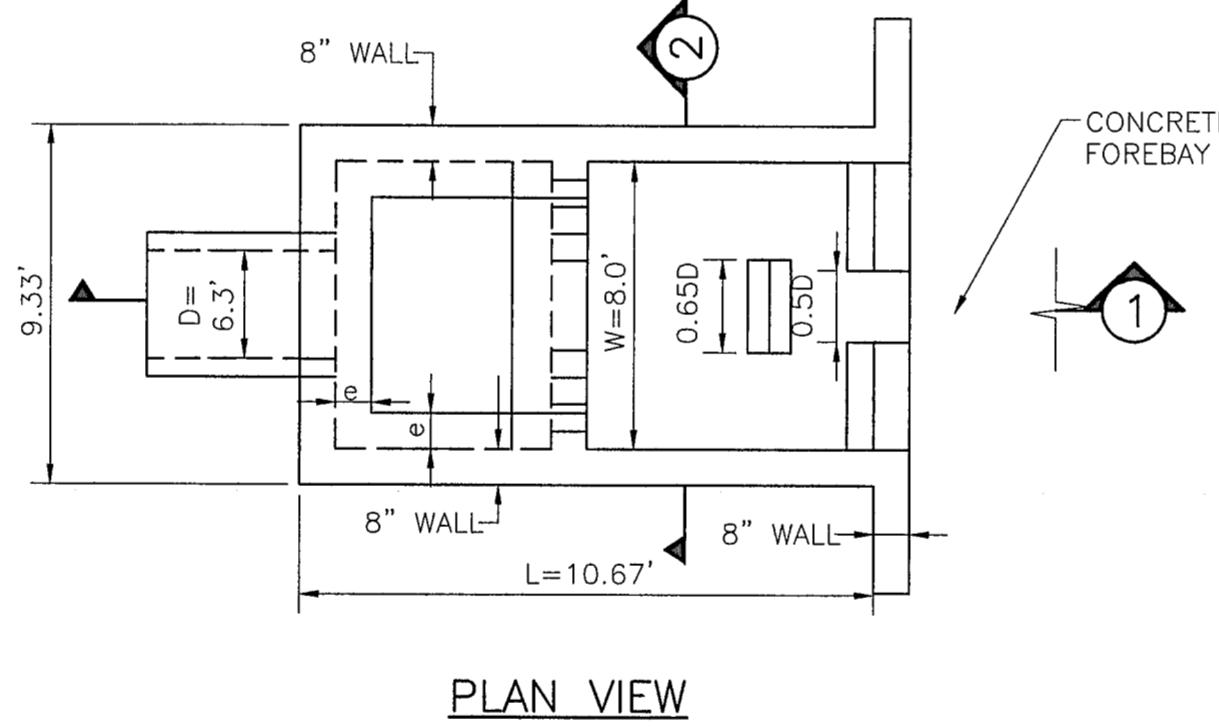
SLOT DETAIL



INTEGRAL FOREBAY DETAIL (F)
NTS

NOTES:

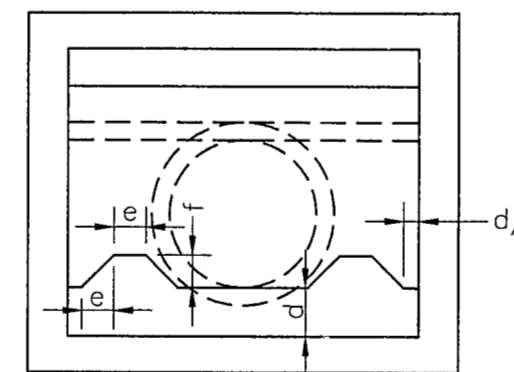
1. DIMENSIONS SHOWN ARE MINIMUMS AND APPLY TO FOREBAYS WITHIN MODIFIED EXTENDED DETENTION BASINS. FOREBAYS IN STANDARD EXTENDED DETENTION BASINS SHALL BE SIZED BASED ON UDFCD CRITERIA.
2. FOR DEPTH > 2.5- FEET, FOREBAY REQUIRES RAMP INTO BOTTOM AND ACCESS ROAD LEADING TO STREET.



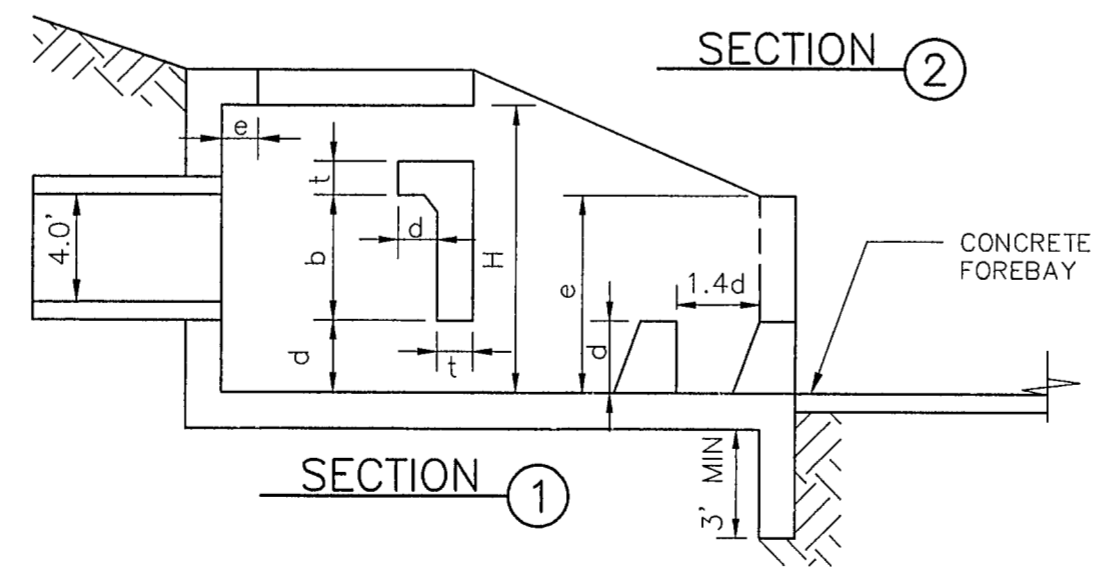
PLAN VIEW

DIMENSION TABLE:

H=6.0'	c=4.0'
L=10.67'	d=1.33'
a=4.0'	e=0.67'
b=3.0'	f=1.0'
t=8"	



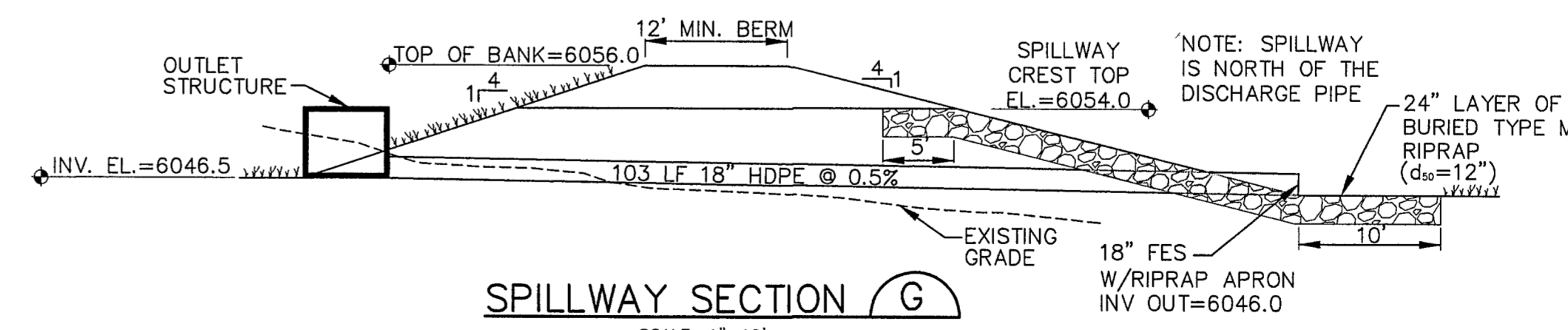
SECTION 2



SECTION 1

IMPACT STILLING BASIN DETAIL (E)
NTS

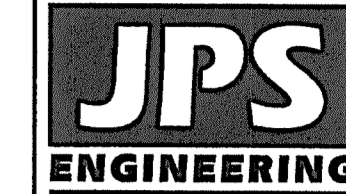
UDFCD MODIFIED USBR TYPE VI IMPACT STILLING BASIN PER USDCM FIG. 9-45



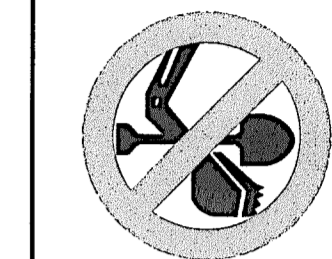
SPILLWAY SECTION (G)
SCALE: 1"=10'

NOTE:

1. THIS PLAN WAS INITIALLY APPROVED AS SH. C1.5 WITHIN THE FILING NO. 1 GEC PLANS (SF1825). CURRENT PLAN REVISIONS INCORPORATE UPDATES BASED ON THE FILING NO. 1A REPLAT.



19 E. Willamette Ave.
Colorado Springs, CO
80903
PH: 719-477-9429
FAX: 719-471-0766
www.jpsegr.com



CALL UTILITY NOTIFICATION CENTER OF COLORADO
1-800-922-1987
CALL 2-BUSINESS DAYS IN ADVANCE BEFORE THE MARKING OF UNDERGROUND MEMBER UTILITIES.

No.	REVISION	DATE
A	FLG-1A SUBMITTAL	JPS 11/19/21
B	EPC COMMENTS	JPS 2/21/22
C	EPC COMMENTS	JPS 4/7/22
D	EPC COMMENTS	JPS 6/10/22

MAYBERRY, COLORADO SPRINGS - FILING 1A

DETENTION POND C1 DETAILS



HORIZ. SCALE: 1"=50'	DRAWN: BJJ
VERT. SCALE: N/A	DESIGNED: JPS
SURVEYED: R&R	CHECKED: JPS
CREATED: 4/4/06	LAST MODIFIED: 6/10/22
PROJECT NO: 090001	MODIFIED BY: JPS

SHEET:

C3.2