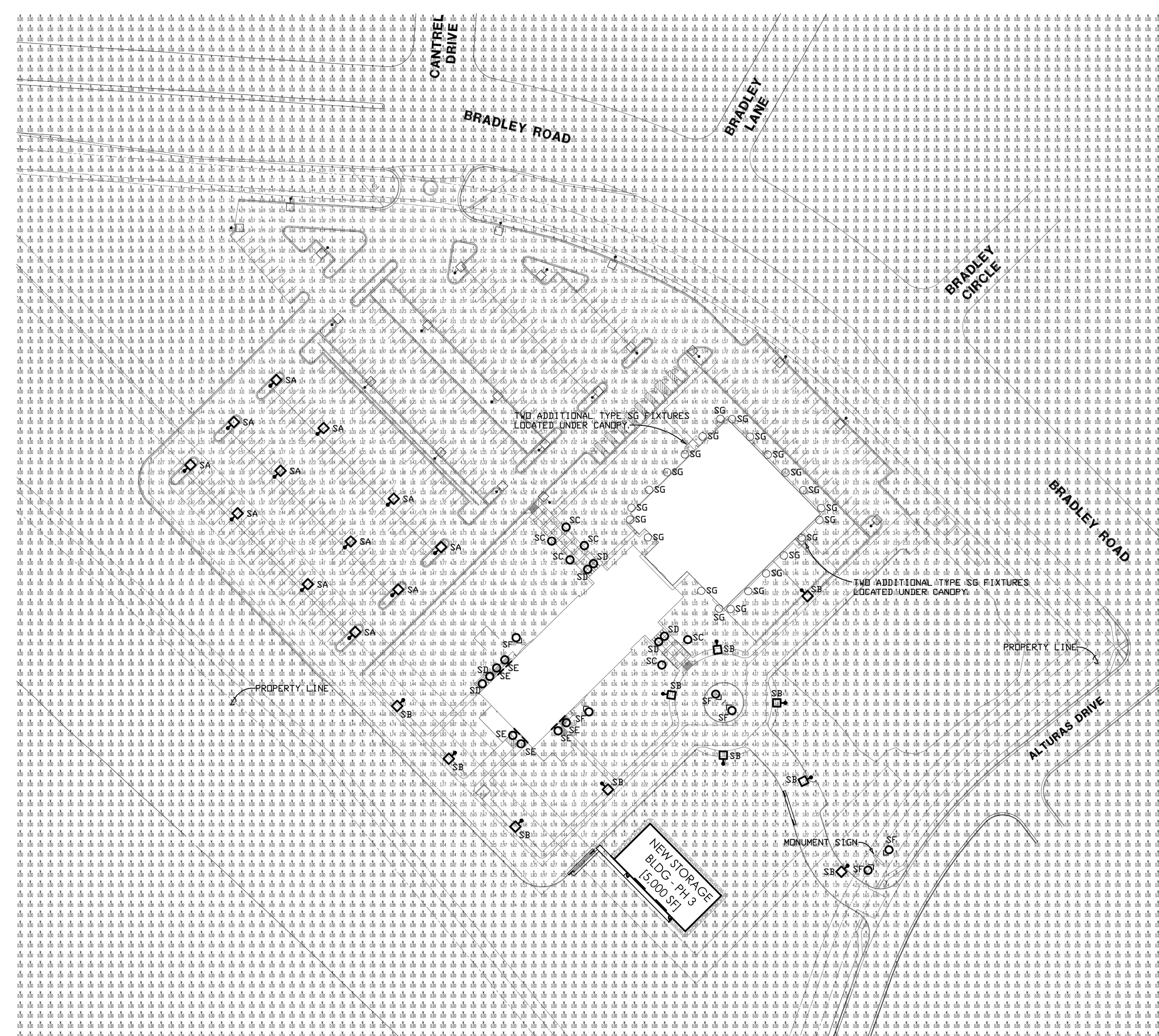
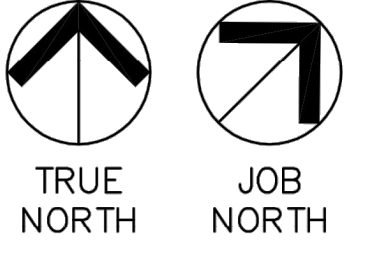
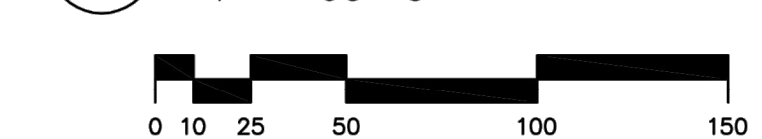


BOLLAR CRUZ ARCHITECTS, LLC
Planning • Architecture • Interior Design • Consulting
8 South Nevada Avenue, Suite 215
Colorado Springs, Colorado 80903
Fax: (719) 520-9036
Tel: (719) 520-0057

**PIKES PEAK CHRISTIAN CHURCH
PHASE TWO - ADDITION**
4955 BRADLEY ROAD
COLORADO SPRINGS, COLORADO 80911

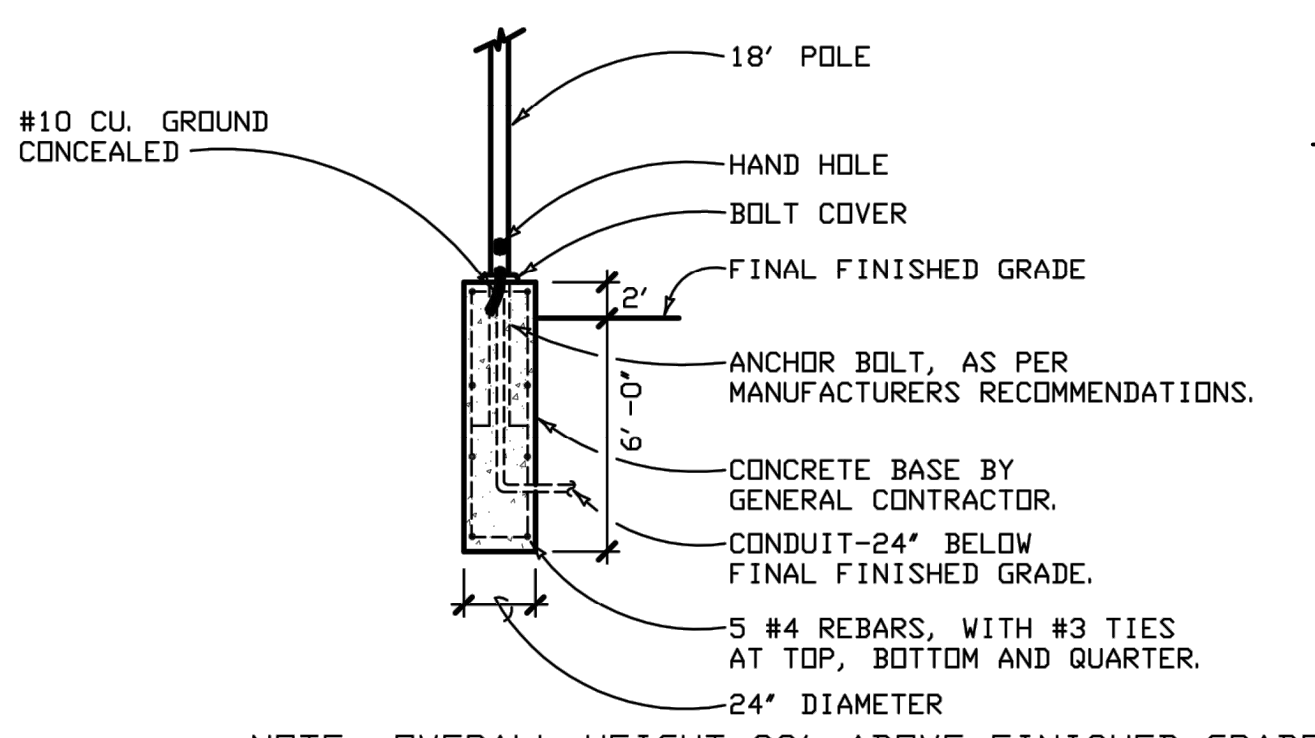


1 PHOTOMETRIC/ELECTRICAL SITE DEVELOPMENT PLAN
SDP-1 1" = 60'-0"

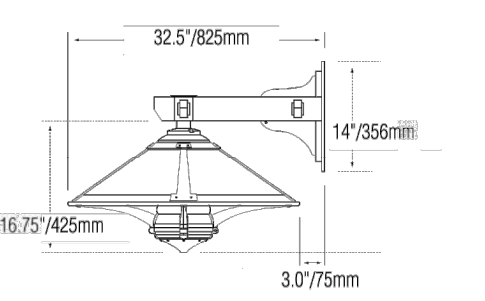


LUMINAIRE SCHEDULE	TYP	SYMBOL	DESCRIPTION	LAMP	LUMENS	MOUNTING/BALLAST	LLF	QTY
SA	□	□	Spaulding RCS-P40-5 (1) *R5* RCS-A-P40-HSP	(1) 400PMH	36000	18' 2"	0.67	21
SB	□	□	Spaulding RCS-P40-3 (1) *R3* RCS-A-P40-3P	(1) 400PMH	36000	18' 2"	0.67	23
SC	○	○	ARCHITECTURAL A ACRD-150PMH (1) *ACL* ACRD-GR3-150MH-EMBR	(1) MH150W/U/PS	14000	14'	0.70	6
SD	○	○	KURT VERSEN R6643-150PMH (1) *R66* R6643-150P	(1) 150CMH	13500	WALL MOUNTED NA	0.70	4
SE	○	○	ARCHITECTURAL A SACRD-70PMH (1) *ACS* SACRD-CF42-MICA	(1) 70PMH	5200	WALL MOUNTED NA	0.70	6
SF	○	○	Sign Light with Hood	(1) 100W MP100 ED17		DN GRADE	-	6
SG	○	○	Prescolite RHD601-100PMH (1) *RHD6* RHD601-STH602	(1) 100W MP100/C/U/MED E	8500	DOWN LIGHT NA	0.72	24

2 TYPE SA & SB
SDP-1 NOT TO SCALE

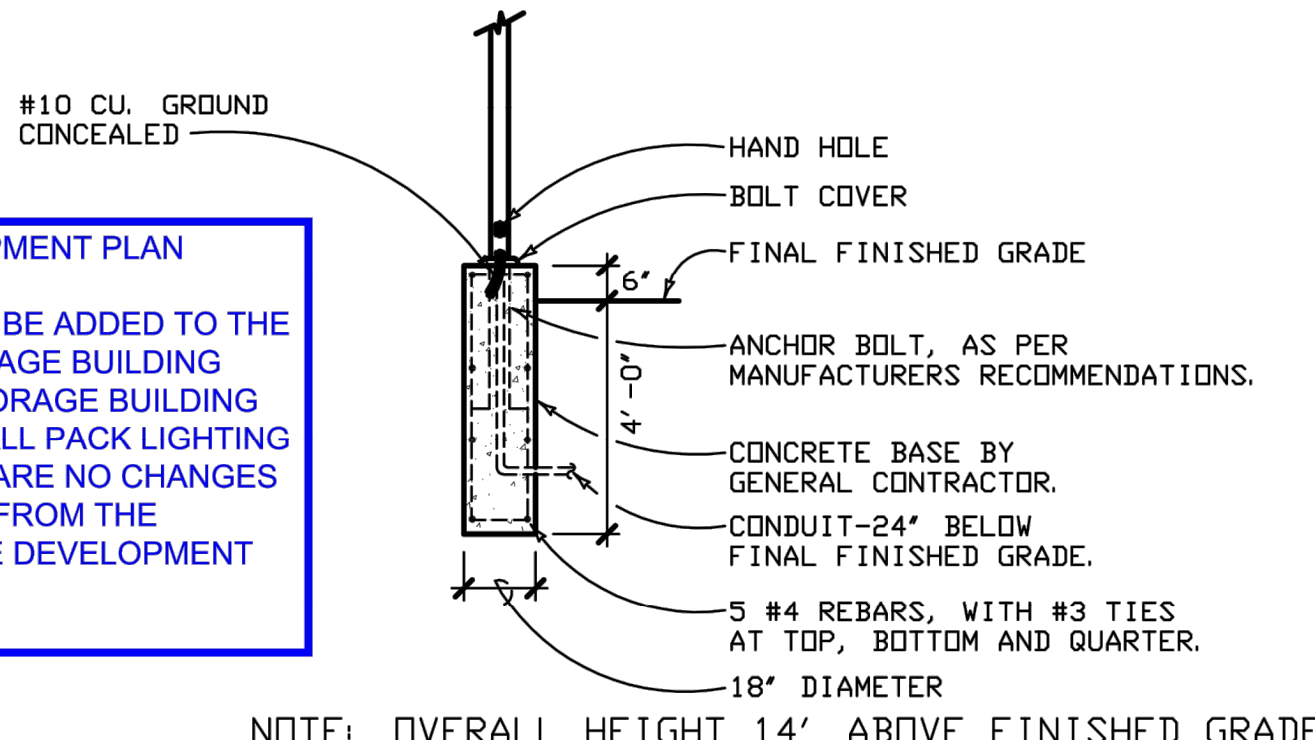


3 TYPE SA & SB POLE BASE DETAIL
SDP-1 NOT TO SCALE



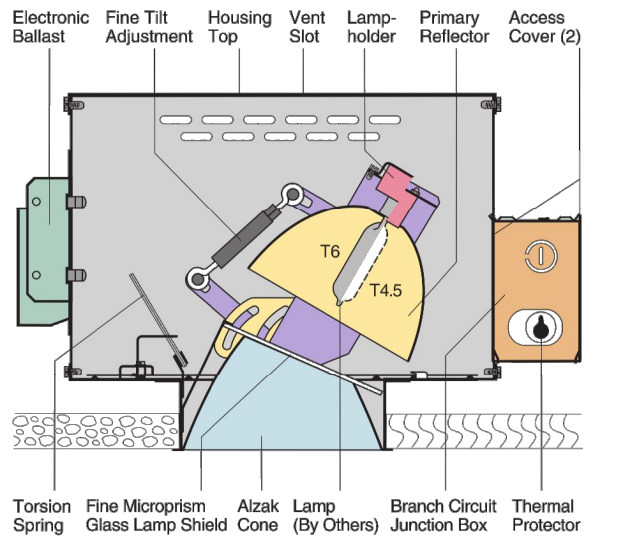
4 TYPE SC & SE
SDP-1 NOT TO SCALE

NOTE: TYPE SC POLE MOUNTED
TYPE SE WALL MOUNTED

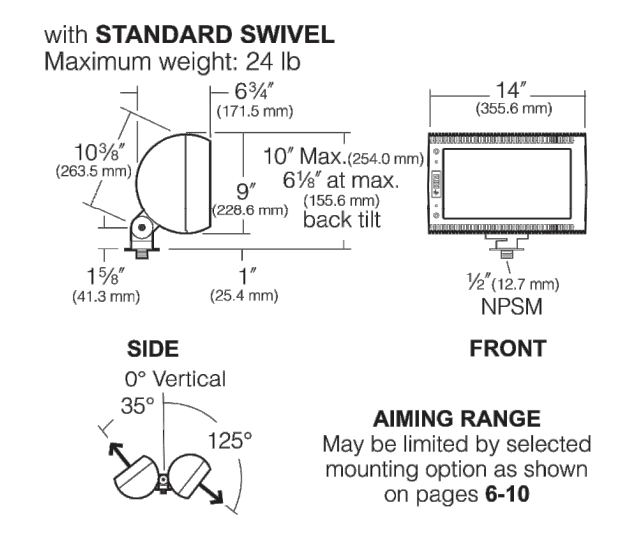


5 TYPE SC POLE BASE DETAIL
SDP-1 NOT TO SCALE

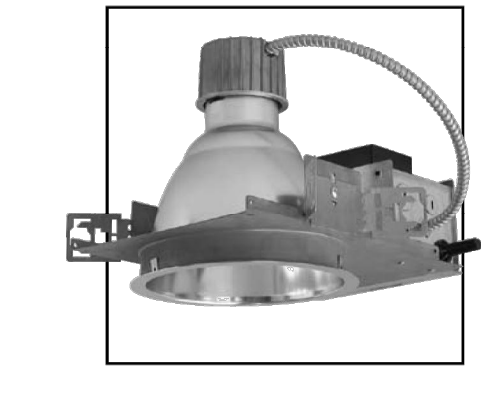
NOTE FOR PHASE 3 DEVELOPMENT PLAN AMENDMENT:
NO NEW LIGHT POLES SHALL BE ADDED TO THE SITE FOR THE PHASE 3 STORAGE BUILDING ADDITION PROJECT. THE STORAGE BUILDING WILL HAVE FULL CUT-OFF WALL PACK LIGHTING AT THE DOORWAYS. THERE ARE NO CHANGES TO THE SITE LIGHTING PLAN FROM THE PREVIOUSLY APPROVED DEVELOPMENT PLAN.



6 TYPE SD
SDP-1 NOT TO SCALE



7 TYPE SF
SDP-1 NOT TO SCALE



8 TYPE SG
SDP-1 NOT TO SCALE

PLOT PLAN

NO.	DATE	REVISIONS
14	06.23.10	EL. PASO COUNTY PLOT PLAN SUBMITTAL
15	08.11.10	RESPONSE TO EPC COMMENTS
16	08.12.10	TEAM COORDINATION
17	09.23.10	EPC PLOT PLAN RE-SUBMITTAL

DATE
SEPT. 23, 2010

PROJECT NO.
8005

SHEET
SDP-1
OF 26 SHEETS