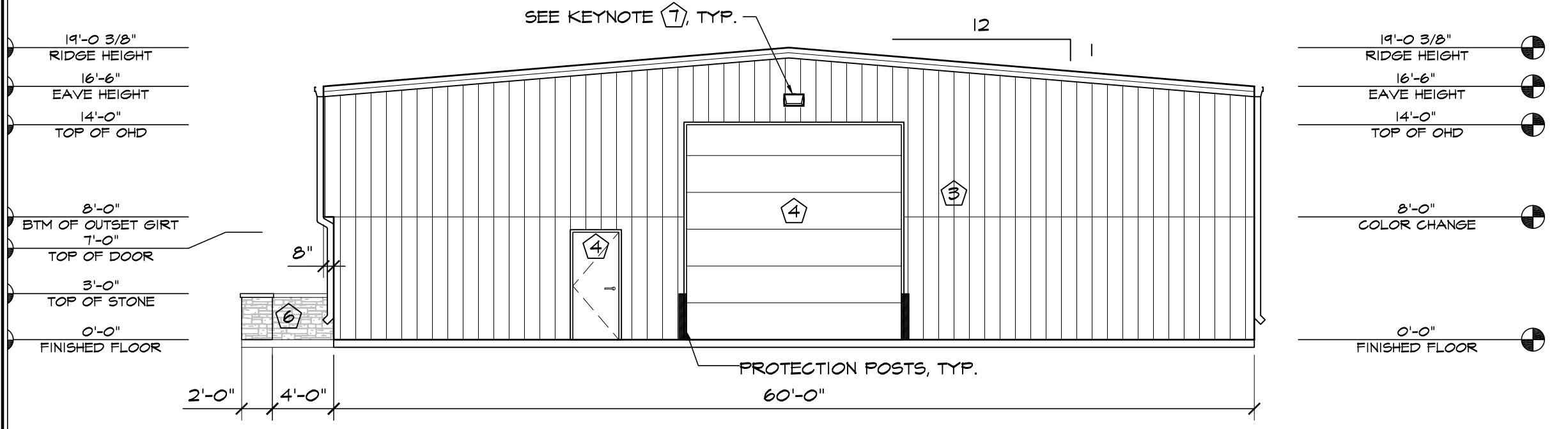
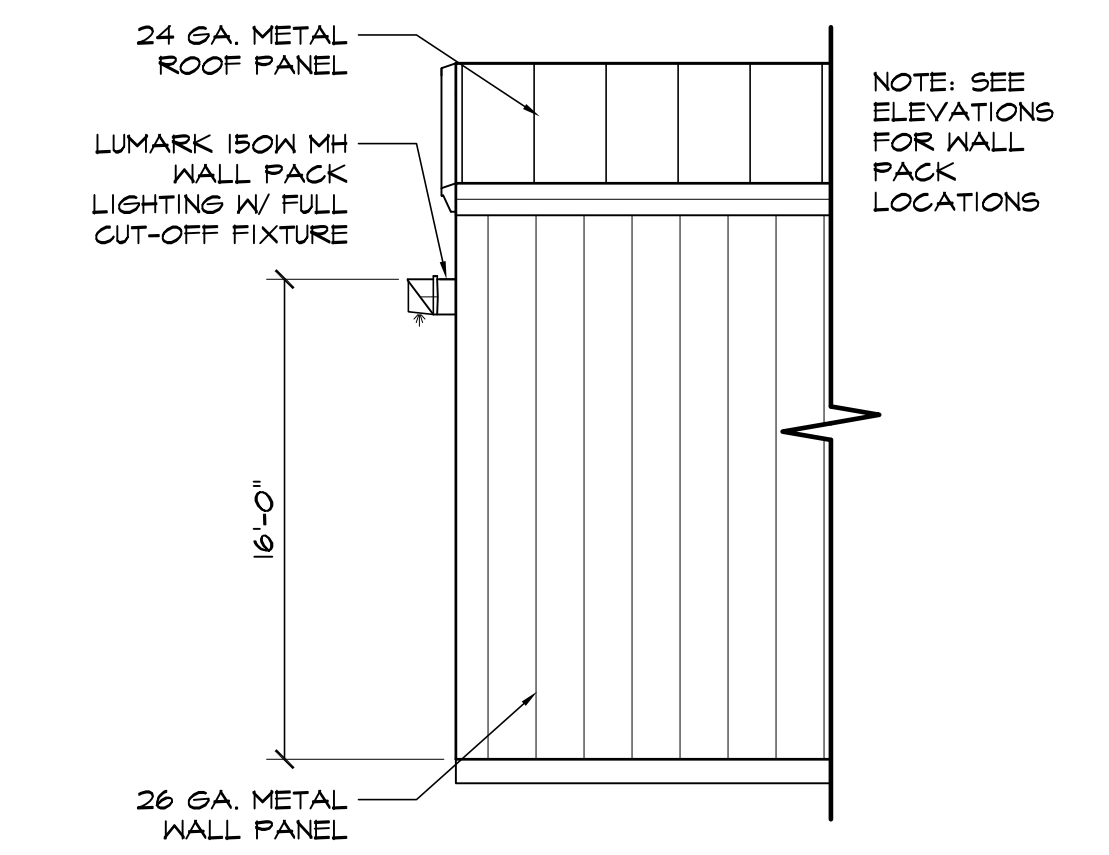


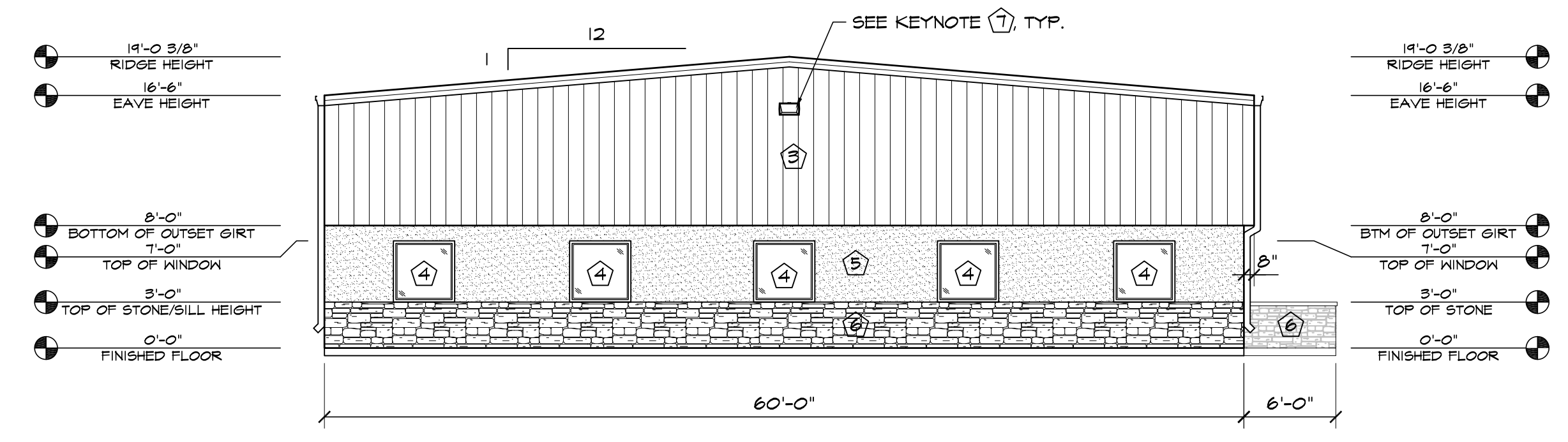
1 SOUTH-WEST ELEVATION
SCALE: 1/8"=1'-0"



2 NORTH-WEST ELEVATION
SCALE: 1/8"=1'-0"

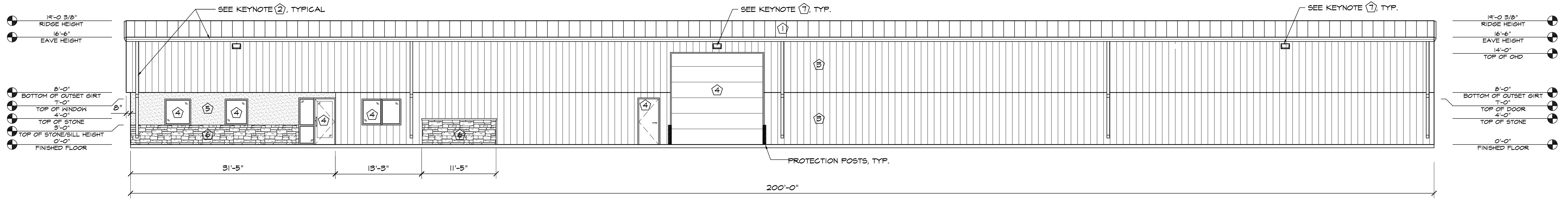


5 WALL PACK LIGHT DETAIL
SCALE: 1/4"=1'-0"



3 SOUTH-EAST ELEVATION
SCALE: 1/8"=1'-0"

ELEVATION KEY NOTES	
1	PREFINISHED 24 GA. "FBR" METAL ROOF PANELS BY METAL BUILDING PROVIDER
2	PREFINISHED GUTTER & DOWNSPOUTS BY METAL BUILDING PROVIDER
3	PREFINISHED 26 GA. "FBR" METAL WALL PANELS BY METAL BUILDING PROVIDER
4	SEE SCHEDULES ON "A" SHEETS FOR ALL DOOR INFORMATION
5	3/4" STUCCO FINISH SYS. W/ EXPANSION JOINT-120 SF MAX AREA
6	STONE VENEER
7	WALL PACK LIGHT TOP OF LIGHT @ 15'-6" A.F.F. SEE ELECT. PLANS

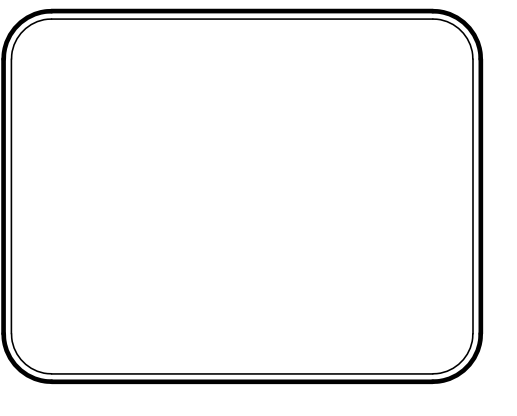
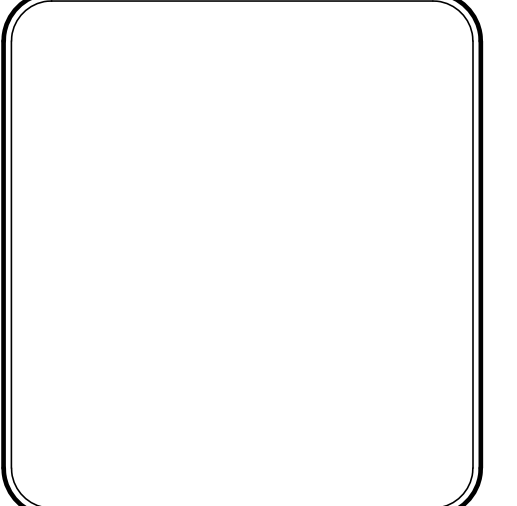


4 NORTH-EAST ELEVATION
SCALE: 1/8"=1'-0"

HAMMERS CONSTRUCTION INC.
COMMERCIAL GENERAL CONTRACTORS SPECIALIZING IN DESIGN/BUILD
PRESIDENT: STEVE R. HAMMERS
VICE PRES: DAVID J. HAMMERS
1411 WOOLSEY HEIGHTS
COLORADO SPRINGS, CO 80915
(719) 570-1589 FAX (719) 570-7008
www.hammersconstruction.com

THIS DRAWING CONTAINS MATERIAL & INFORMATION WHICH MAY NOT BE REPRODUCED WITHOUT WRITTEN CONSENT OF HAMMERS CONSTRUCTION INC. THESE DRAWINGS ARE INTENDED TO BE USED ONLY BY HAMMERS CONSTRUCTION & ITS REPRESENTATIVES. THESE DRAWINGS HAVE NOT BEEN PREPARED FOR ANY OTHER PURPOSE THAN TO INDICATE THE GENERAL FEATURES AND PLACEMENT OF THE PROPOSED PROJECT. COPYRIGHT © 2017 HAMMERS CONSTRUCTION

HALLGREN
GBP 44 - 2
1110 MEADOWBROOK PKWY
COLORADO SPRINGS, CO 80915
EL PASO COUNTY, COLORADO



DATE: JAN. 11, 2017
DRAWN BY: L. PETERSON
PROJ. MGR: Z. GRABTREE
SCALE: SEE PLAN
APPROVED BY:
JOB NO: 1010

- RESUBMITTALS:
- 3/2/17-COMMENTS 2/2/17
 - 4/3/17-COMMENTS 3/22/17
 - 5/22/17-MIRRORED BUILDING
 -
 -
 -