

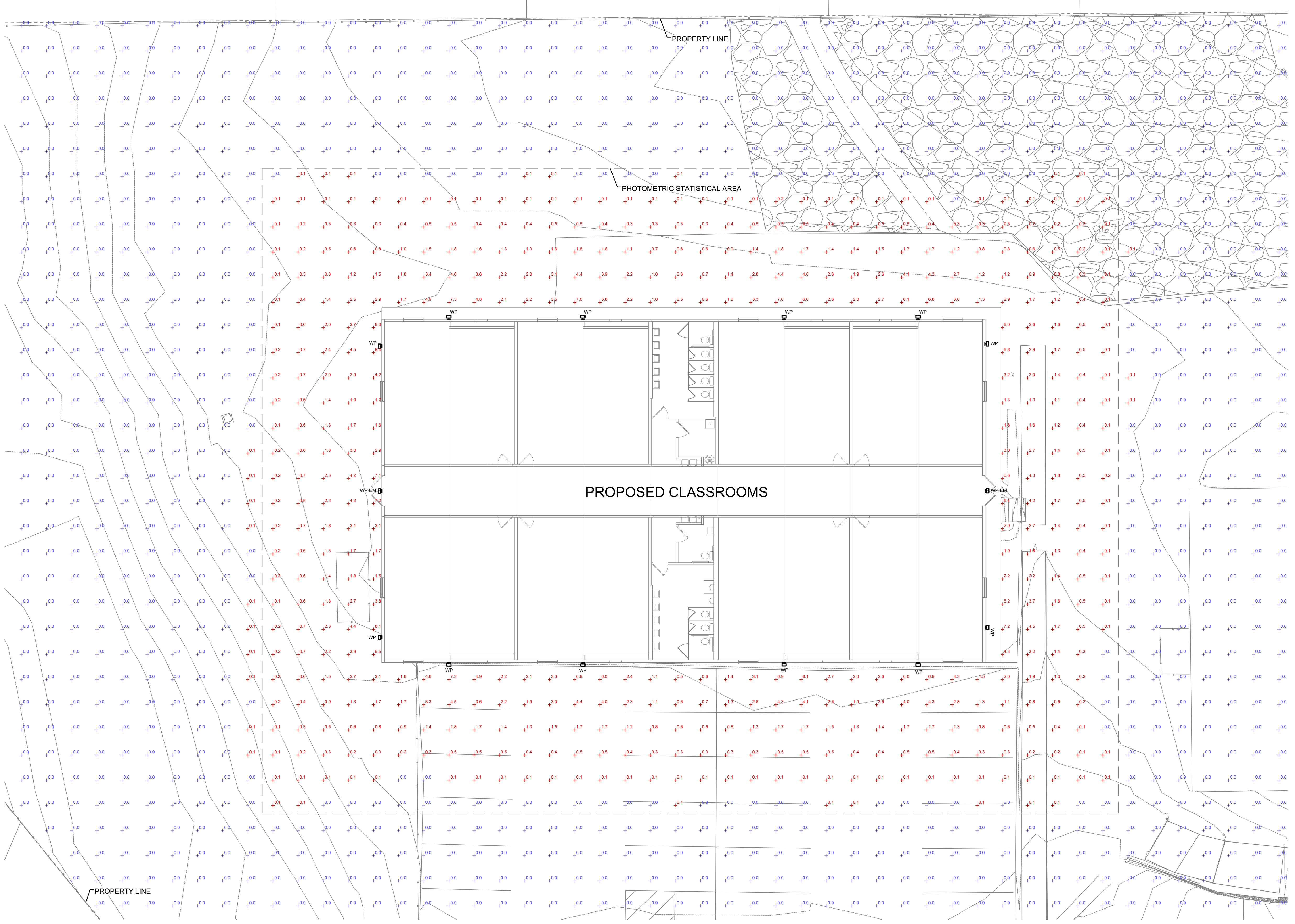
REVISIONS		
#	DESCRIPTION	DATE

PROJECT NO. : 26-0515
ISSUE DATE: 03/24/2026
DRAWN: BDH
CHECKED: BDH

LIGHT FIXTURE SCHEDULE								
MARK	MANUFACTURER	MODEL	DESCRIPTION	BULB TYPE	MOUNTING	FIXTURE LOAD (W)	VOLTAGE (V)	NOTES
WP	KONLITE	KWPF	FULL CUT-OFF WALL PACK	LED	WALL	26.0	120	1-4

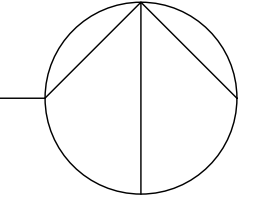
NOTES:
 1. CONFIRM ALL LIGHT FIXTURE SELECTIONS WITH TENANT OWNER OR PROJECT MANAGER.
 2. PROVIDE EMERGENCY BALLAST OR BATTERY PACK. EMERGENCY FIXTURES SHALL PROVIDE A MINIMUM OF 1000 LUMENS. COORDINATE WITH MANUFACTURER'S SPECIFICATIONS.
 3. PROVIDE EMERGENCY BALLAST OR BATTERY PACK FOR FIXTURES LABELLED WITH "EM", FOR EMERGENCY, OR "NL", FOR NIGHT LIGHTING. COORDINATE WIRING WITH MANUFACTURER'S SPECIFICATIONS.
 4. CONTRACTORS MAY SUBSTITUTE LISTED FIXTURE. SUBSTITUTE FIXTURE MUST HAVE SAME VOLTAGE (OR VOLTAGE RANGE), BULB TYPE, AND SIMILAR WATTAGE/ LUMENS UNLESS NOTED OTHERWISE.

Calculation Zone Statistics						
Description	Symbol	Average (FC)	Maximum (FC)	Minimum (FC)	Max. / Min. (FC)	Avg. / Min. (FC)
BUILDING EXTERIOR	+	1.2	8.4	0.1	84	12



2 WP FIXTURE
Scale: None

1 SITE PHOTOMETRIC
Scale: 1" = 10'



KWPF Series
LED Full Cutoff Wall Pack

Project Name:	
Catalog Number:	
Notes:	



Product Description:
The Konlite™ KWPF Series LED Full Cut-Off Wall Pack offers a wide range of wattages to choose from, 26W, 38W, 65W, 100W, 135W, replacing up to 400W MH Equivalent. With uniform light distribution and excellent LED lumen maintenance rate, this energy efficiency, slim design full cutoff wall pack saves money while ensuring a longer lifespan. The KWPF Series offers emergency battery backups and photocells (both sold separately) making this light an ideal choice to meet any wall-mounted lighting application.

Applications:
Parking Areas, Building Facade, Loading Areas, Driveways, Carports.

Features:

Construction

- Die-cast aluminum housing
- Optimized heat dissipation for extended performance and lifespan
- Suitable for applications requiring 3G testing prescribed by ANSI C136.31

Electrical

- Universal 120-277 or 347-380 VAC input voltage
 - Both drivers have a power factor >90%, THD <20%
 - Operating Temperature Range: -40°C to 40°C (-40° F. + 104° F)
- Note: Operating temperature with emergency battery: 10°C to 40°C (+50° F. + 104° F)

Certification

UL Wet Location Listed & DesignLights Consortium™ Qualified
Note: Please refer to the DLC website for specific product qualifications at www.designlights.org

Optics

- CCTs available: 4000K & 5000K (3000K limited availability. Call to special order.)
- CRI: 70
- Offers lumens outputs between 3,800 lms to 20,000 lms
- Anti-UV prismatic lens designed for uniform light distribution

Warranty

5-year limited warranty. Complete warranty terms located at: <https://revolveled.com/pages/konlite-led-luminaire-limited-warranty>

Ordering Information

Example: KWPF2650KLV

Series	Wattage	CCT	Voltage	Photocell	Emergency Battery
KWPF	26=26W 38=38W 65=65W 100=100W 135=135W	50K=5000K 40K=4000K	LV=120-277V HV=347-480V	Blank=Without Photocell P=120-277V Photocell	Blank=Without Emergency Battery Backup E=With Emergency Battery Backup (8W, 900lm, 90min)



2880 North Berkeley Lake Road NW, Suite 8, Duluth GA 30096
Toll Free: 877-718-0808 Fax: 770-817-0127 www.revolveled.com

For informational purposes only.
Content is subject to change.
Rev. 3/6/24

PERFORMANCE DATA CCT Selectable Model

SYSTEM WATTS	VOLTAGE	CRI	LUMENS (3000K)	LPW (3000K)	LUMENS (4000K)	LPW (4000K)	LUMENS (5000K)	LPW (5000K)
26W	120-277VAC	70	3800lm	146 lm/W	4000lm	154 lm/W	3900lm	150 lm/W
38W	120-277VAC	70	5600lm	147 lm/W	6000lm	158 lm/W	5700lm	150 lm/W
65W	120-277VAC	70	9500lm	146 lm/W	10000lm	154 lm/W	9700lm	149 lm/W
65W	347-480VAC	70	9400lm	145 lm/W	9900lm	152 lm/W	9500lm	146 lm/W
100W	120-277VAC	70	14800lm	148 lm/W	15500lm	155 lm/W	15000lm	150 lm/W
100W	347-480VAC	70	14000lm	140 lm/W	15000lm	150 lm/W	14500lm	145 lm/W

PERFORMANCE DATA Single CCT Model

SYSTEM WATTS	VOLTAGE	CRI	LUMENS (3000K)	LPW (3000K)	LUMENS (4000K)	LPW (4000K)	LUMENS (5000K)	LPW (5000K)
26W	120-277VAC	70	3800lm	146 lm/W	3900lm	150 lm/W	3900lm	150 lm/W
38W	120-277VAC	70	5600lm	147 lm/W	5700lm	150 lm/W	5700lm	150 lm/W
65W	120-277VAC	70	9500lm	146 lm/W	9700lm	149 lm/W	9700lm	149 lm/W
65W	347-480VAC	70	9400lm	145 lm/W	9500lm	146 lm/W	9500lm	146 lm/W
100W	120-277VAC	70	14800lm	148 lm/W	15000lm	150 lm/W	15000lm	150 lm/W
100W	347-480VAC	70	14000lm	140 lm/W	14500lm	145 lm/W	14500lm	145 lm/W
135W	120-277VAC	70	19000lm	141 lm/W	20000lm	148 lm/W	20000lm	148 lm/W

Electrical Data

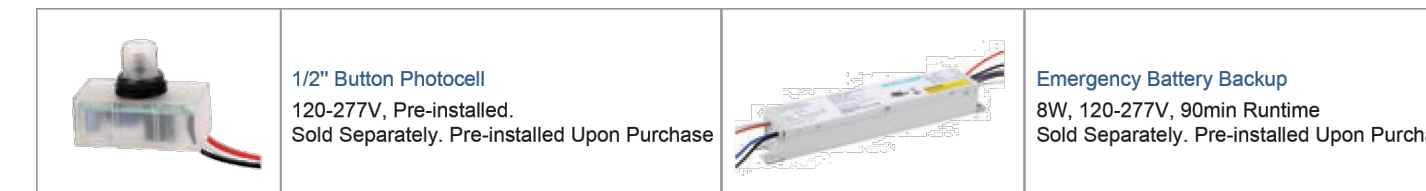
Number Of Drivers	Driver Current (mA)	Nominal Power (W)	INPUT VOLTAGE (V)	CURRENT (Amps)
1	430	26	120	0.22
		26	208	0.13
		26	240	0.11
1	680	26	277	0.09
		38	120	0.32
		38	208	0.19
1	980	38	240	0.16
		38	277	0.14
		65	120	0.54
1	1850	65	208	0.31
		65	240	0.27
		65	277	0.23
1	850	65	347	0.19
		100	480	0.14
		100	120	0.83
1	2520	100	208	0.48
		100	240	0.42
		100	277	0.36
1	1200	100	347	0.29
		100	480	0.21
		135	120	1.13
1	1200	135	208	0.65
		135	240	0.56
		135	277	0.49



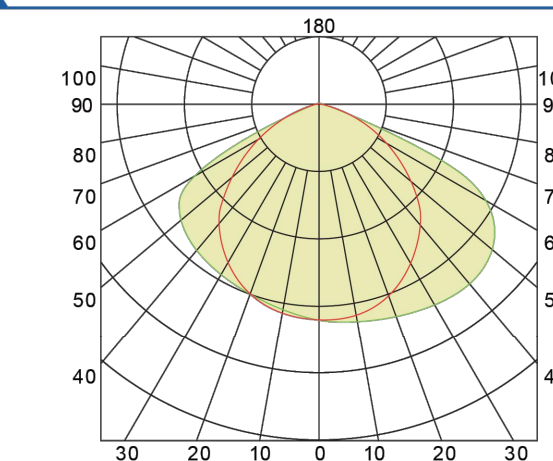
2880 North Berkeley Lake Road NW, Suite 8, Duluth GA 30096
Toll Free: 877-718-0808 Fax: 770-817-0127 www.revolveled.com

For informational purposes only.
Content is subject to change.
Rev. 3/6/24

Accessories

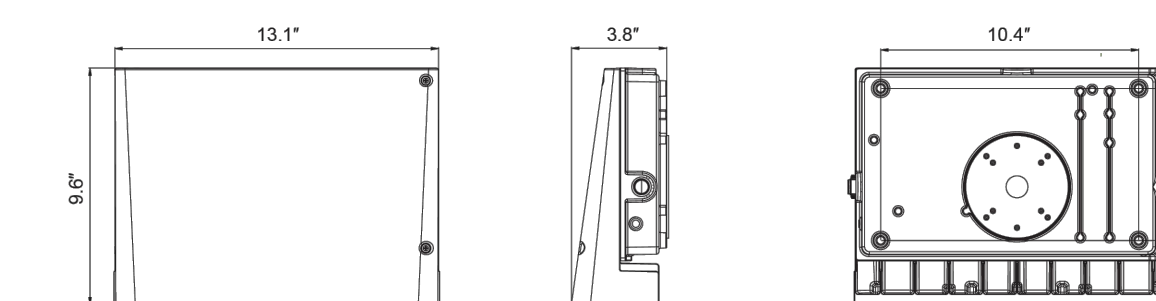


Light Distribution



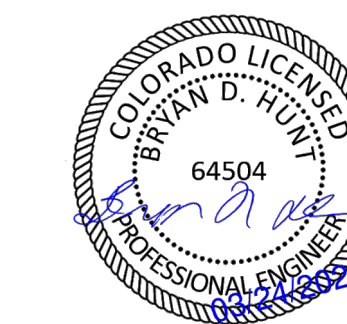
Fixture Dimensions

unit: inch
For 26W, 38W, 65W CCT dial
For 26W, 38W, 65W, 100W, 135W single CCT
Net Weight:
26W: 4.784 lb 38W: 4.982 lb 65W: 5.092 lb 100W: 5.864 lb 135W: 6.084 lb



2880 North Berkeley Lake Road NW, Suite 8, Duluth GA 30096
Toll Free: 877-718-0808 Fax: 770-817-0127 www.revolveled.com

For informational purposes only.
Content is subject to change.
Rev. 3/6/24



SPROUL JR. HIGH MODULARS
 235 SUMAC DR.
 COLORADO SPRINGS, CO. 80911

REVISIONS

#	DESCRIPTION	DATE

PROJECT NO.: 26-0515
ISSUE DATE: 03/24/2026
DRAWN: BDH
CHECKED: BDH

SHEET
7 OF 7