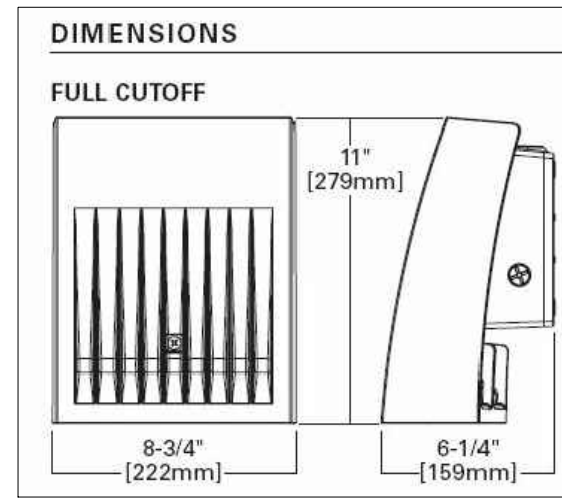




XTOR
CROSSTOUR
MAXX LED

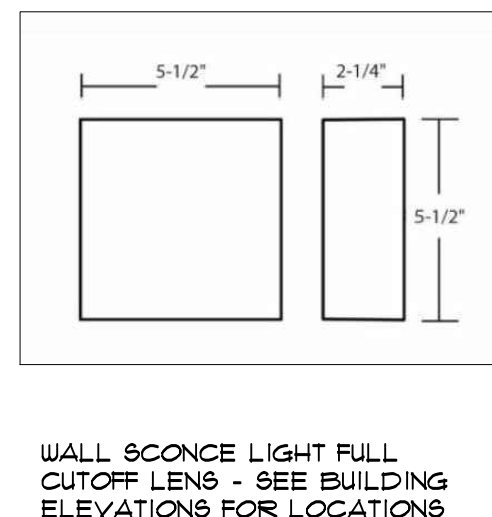
XTOR
CROSSTOUR LED



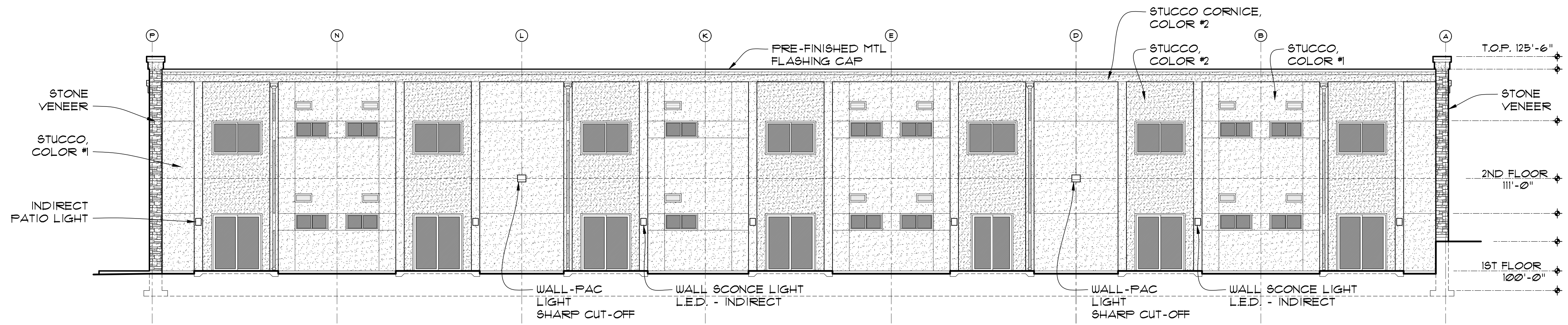
WALL-PAC VIEWS AND DIMENSIONS, FULL CUTOFF LENS - SEE BUILDING ELEVATIONS FOR LOCATIONS



Alcon 11257 Architectural Rectangular Cube Outdoor LED Wall Light

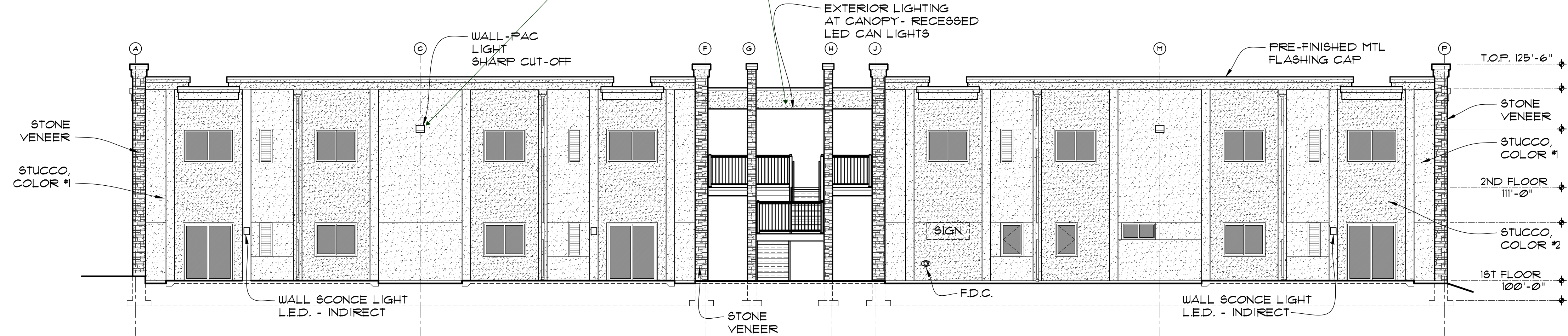


WALL SCONCE LIGHT FULL CUTOFF LENS - SEE BUILDING ELEVATIONS FOR LOCATIONS

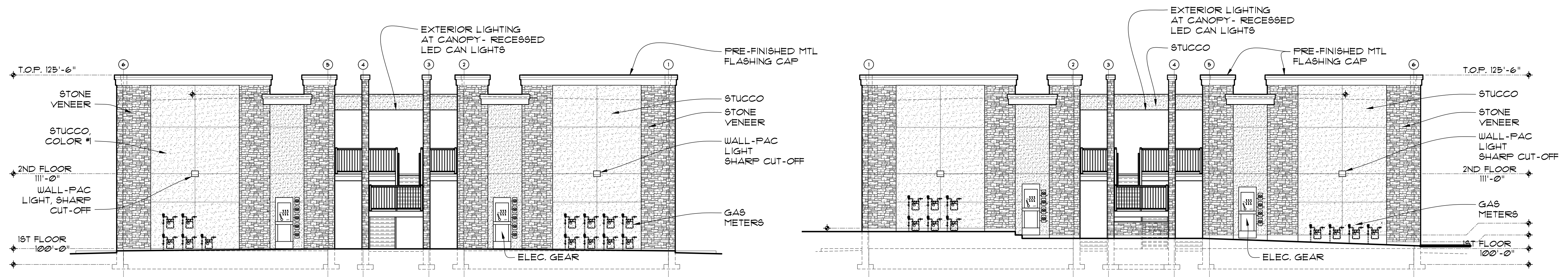


4 ELEVATION - NORTH
DP SCALE: 1/8" = 1'-0"

(2)Height. No freestanding light fixtures shall be mounted higher than 15 feet, except parking lot light fixtures which shall be mounted no higher than 20 feet unless an alternative lighting proposal is approved in accordance with this Code. Section 6.2.3.B.2
Please depict specific heights of each fixture to ensure they are not over 15 ft



3 ELEVATION - SOUTH
DP SCALE: 1/8" = 1'-0"



2 ELEVATION - EAST
DP SCALE: 1/8" = 1'-0"

1 ELEVATION - WEST
DP SCALE: 1/8" = 1'-0"

PROJECT NO.

DRN. BY:
L. ROSS

REVISIONS:

REVIEW SET
NOT FOR
CONSTRUCTION
8-15-2023

ISSUE
DATE:

SHEET:

DP-4

CITY FILE NUMBER: T.B.D.