



PLANNING and COMMUNITY DEVELOPMENT DEPARTMENT

Issue Date: 7/17/2019

Permit Number: 30858

DRIVEWAY ACCESS PERMIT/WAIVER

The undersigned applicant agrees to perform all work in accordance with the El Paso County Subdivision Criteria Manual, El Paso Land Development Code, recorded plat (if applicable), requirements specified below, and any permit attachments. Should the preceding conditions not be satisfied, this permit shall be considered NULL and VOID.

APPLICANT: CRISTIN PRING

Company: HOMEOWNER

Telephone: (719) 243-1530 Address: 5745 JASON RD

City: COLORADO SPRINGS

State: CO

ZIP: 80908-

Project Location: (Street Address, Lot Number, Tax Schedule #) TYPE OF DRIVEWAY ACCESS

5745 JASON RD

Single Family Dwelling

Comments: SEE ATTACHED DRIVEWAY DETAIL AND SPECIFICATION SHEET
(SECONDARY ACCESS)

Remarks:

An 18 inch minimum diameter capacity culvert is REQUIRED within the right-of-way. Installation of an elliptical culvert (15x21) may be advised in areas where existing ditch is shallow. Any ditch excavation or re-grading needed to allow for proper installation of the culvert, maintaining positive drainage and stabilization of all disturbed area is the responsibility of the property owner served by the access granted. Single access, maximum width 24 feet. Concrete or metal culvert required as plastic is no longer allowed. Maximum 4% grade for the first 20' from edge of public roadway.

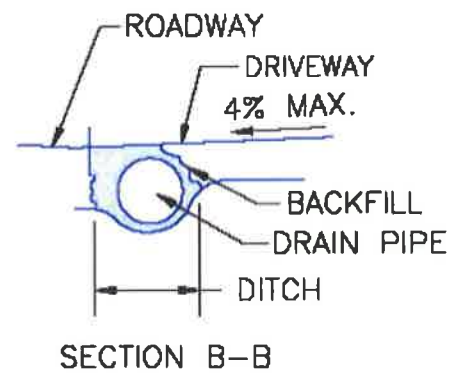
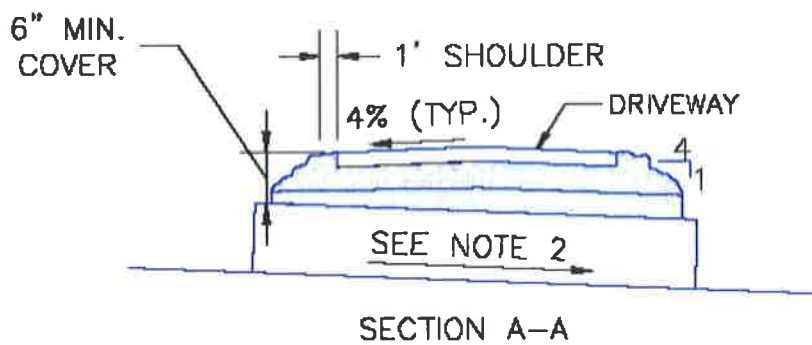
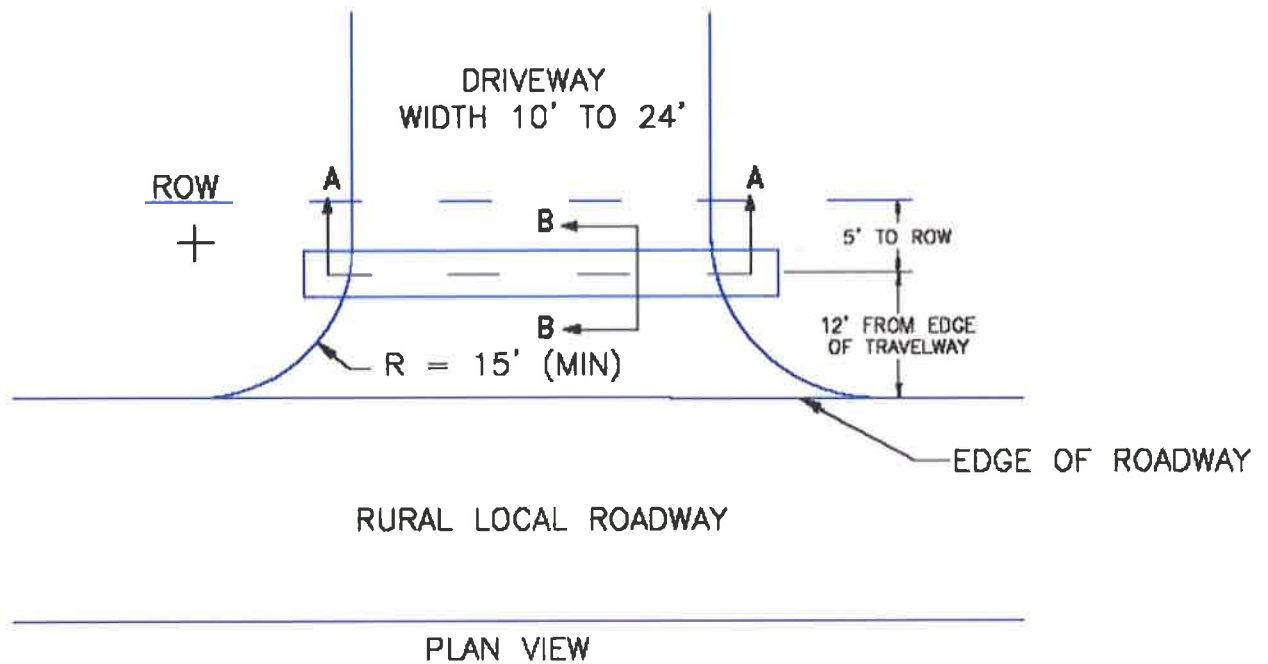
REQUIREMENTS:

1. STATE LAW REQUIRES that utilities be located prior to construction. At least two days advance notice must be given. Phone 1-800-922-1987
2. All work sites must be signed and protected in accordance with the current issue of the MANUAL ON UNIFORM TRAFFIC CONTROL DEVICES and any permit attachments.
3. Should it become necessary for El Paso County to sign, light and barricade hazardous areas or restore the Right-of-Way to its original condition, all costs of said work shall be borne by the applicant.
4. All backfill shall be compacted to 90% of AASHTO T-180 unless otherwise specified.
5. ALL ACCESSES ARE SUBJECT TO RECONSIDERATION UPON LAND USE OR TRAFFIC CHANGES. All permits issued are for a SINGLE ACCESS point to a specific roadway.
6. Road closure will not be permitted.
7. This permit is not good for access to planned arterial roadways.
8. Permit is VOID if construction is not completed within 90 days.
9. Applicant should contact local Fire Protection District for any additional requirements.
10. Monuments within the ROW are not included with this permit; an EPC DOT Encroachment Permit may be required. Please call (719)520-6460 for information.

Fee: \$67.00

Surcharge: \$37.00

Total Charge: \$104.00



NOTES

1. SURFACE TREATMENT OF DRIVEWAY TO MATCH SURFACE TREATMENT OF ROAD WITHIN THE ROW.
2. DRAIN PIPE TO BE 18" DIAMETER CMP MINIMUM.
3. PIPE SLOPE TO BE CONSISTENT WITH FLOWLINE OF DITCH, MINIMUM OF 1% PREFERRED.
4. ALL DRIVEWAYS SHALL HAVE A 4 PERCENT CROWN.
5. WHEN SLOPING TOWARDS ROAD, DRIVEWAYS SHALL HAVE A MAXIMUM GRADE OF 4 PERCENT FOR A MINIMUM OF 20 FEET WHERE THE SITE ALLOWS.

SCALE: NOT TO SCALE

8/11/11

DATE APPROVED:

André P. Brackin

DEPARTMENT OF TRANSPORTATION

Driveway Access on
Rural Local Roadway
Standard Drawing

REVISION DATE:

12/8/15

FILE NAME:

SD_3-14

