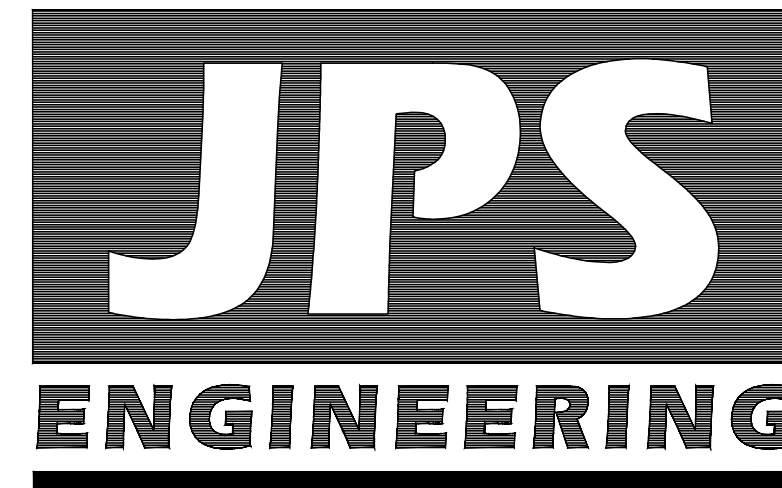


# CATHEDRAL ROCK CHURCH Grading & Erosion Control Plans Tract A, Struthers Ranch Filing No. 2 El Paso County, Colorado

PREPARED FOR:  
**HAMMERS CONSTRUCTION**  
1411 Woolsey Heights  
Colorado Springs, CO 80915

PREPARED BY:



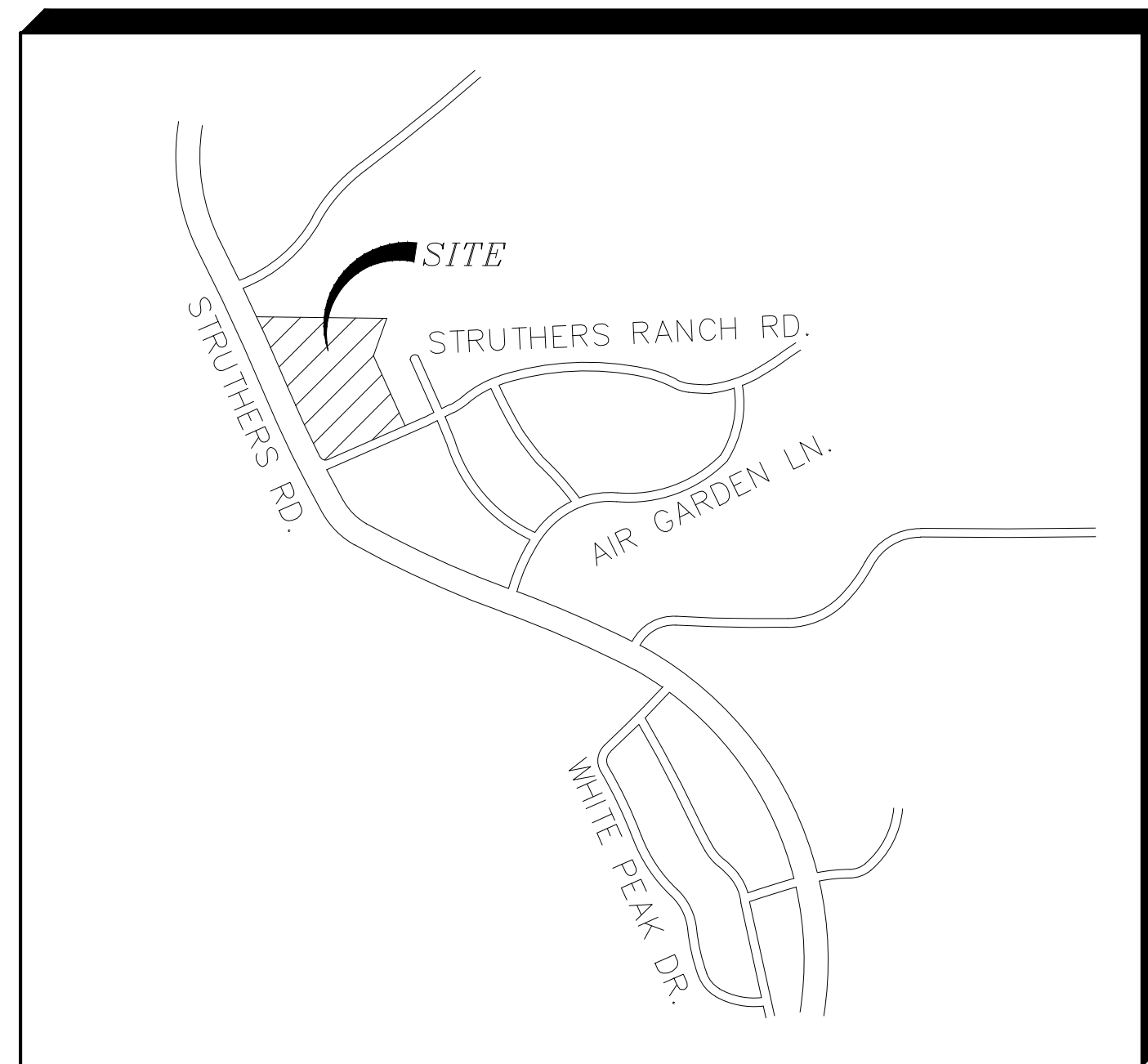
PREPARED BY:  
19 East Willamette Avenue  
Colorado Springs, Colorado 80903  
September, 2024

### AGENCIES/CONTACTS

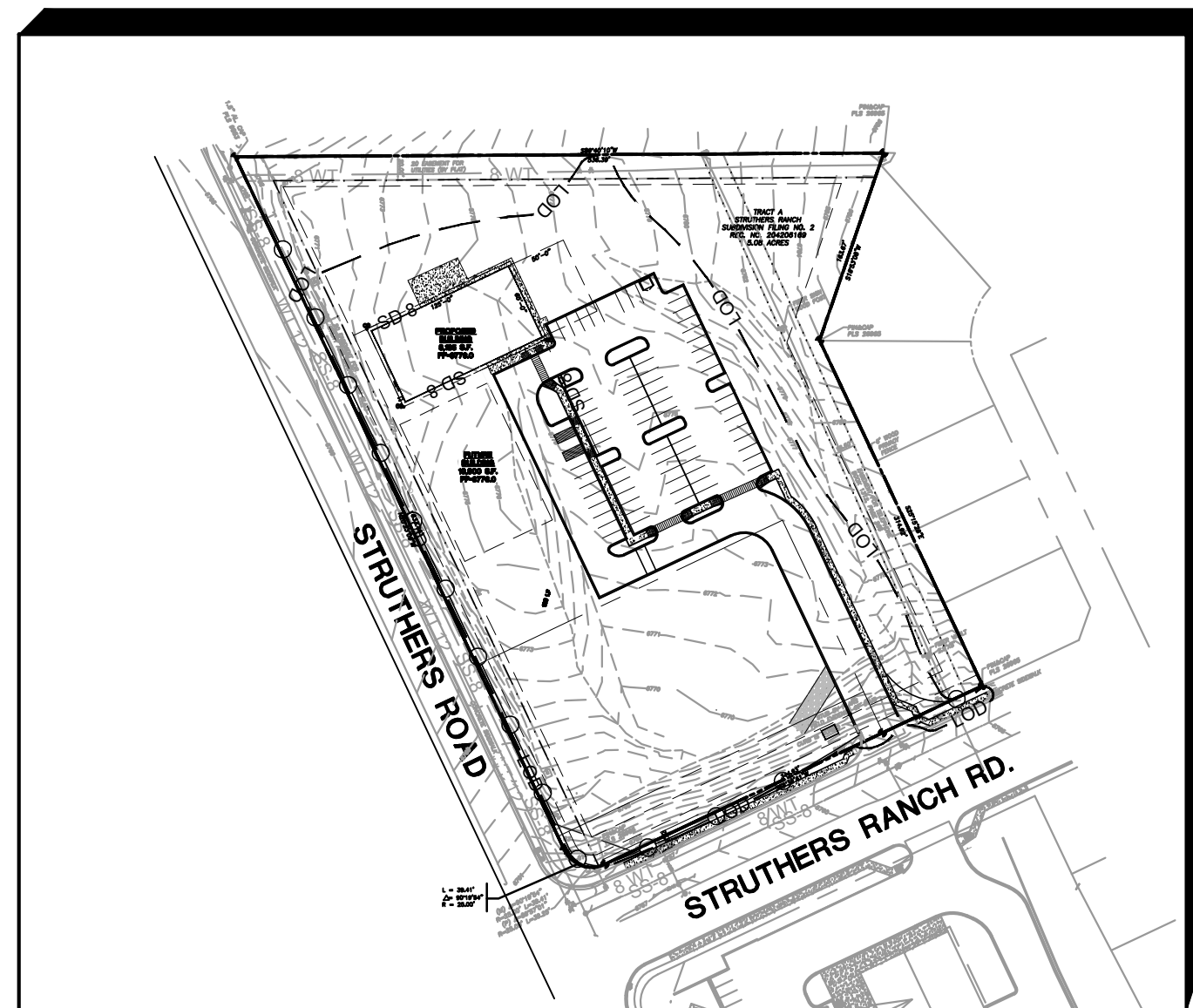
OWNER:	CATHEDRAL ROCK CHURCH 590 HIGHWAY 105 STE 190 MONUMENT CO, 80132-9125	WATER/WASTEWATER:	DONALA WATER & SANITATION DISTRICT 15850 HOLBEIN DR. COLORADO SPRINGS, CO 80921 (719)488-3603
DEVELOPER:	HAMMERS CONSTRUCTION 1411 WOOLSEY HEIGHTS COLORADO SPRINGS, CO 80915 MR. JOE BUTLER (719) 570-1599	GAS DEPARTMENT:	BLACK HILLS ENERGY MR. SEBASTIAN SCHWENDER (719)399-3176
CIVIL ENGINEER:	JPS ENGINEERING, INC. 19 E. WILLAMETTE AVENUE COLORADO SPRINGS, CO 80903 MR. JOHN P. SCHWAB, P.E. (719)477-9429	ELECTRIC DEPARTMENT:	MOUNTAIN VIEW ELECTRIC ASSOCIATION 11140 E. WOODMEN ROAD COLORADO SPRINGS, CO 80908 MR. DAVE WALDNER (719)495-2283
LOCAL ROADS & DRAINAGE:	EL PASO COUNTY PCD 2880 INTERNATIONAL CIRCLE COLORADO SPRINGS, CO 80910 (719)520-6300	TELEPHONE COMPANY:	CENTURY LINK COMMUNICATIONS (LOCATORS) (800)922-1987  A.T. & T. (LOCATORS) (719)635-3674

### GEC PLAN SHEET INDEX

C1.0	GEC PLAN TITLE SHEET
G2.0	GENERAL NOTES & LEGEND
C1.1	SITE GRADING & EROSION CONTROL PLAN
C3.1	RAIN GARDEN PLAN & DETAILS
C4.1	CIVIL & EROSION CONTROL DETAILS
C4.2	EROSION CONTROL NOTES & DETAILS



VICINITY MAP  
NOT TO SCALE



SITE MAP  
NTS

**BENCHMARK**  
STORM INLET NEAR SW CORNER  
OF SITE TOB EL=6757.26  
(DATUM: NGVD 1929)

### ENGINEER:

#### DESIGN ENGINEER'S STATEMENT:

THIS GRADING AND EROSION CONTROL PLAN WAS PREPARED UNDER MY DIRECTION AND IS CORRECT TO THE BEST OF MY KNOWLEDGE AND BELIEF. SAID PLAN HAS BEEN PREPARED ACCORDING TO THE CRITERIA ESTABLISHED BY THE COUNTY FOR GRADING AND EROSION CONTROL PLANS. I ACCEPT RESPONSIBILITY FOR LIABILITY CAUSED BY NEGLIGENT ACTS, ERRORS OR OMISSIONS ON MY PART IN PREPARING THIS PLAN.

JOHN P. SCHWAB, P.E. #29891 \_\_\_\_\_ DATE \_\_\_\_\_

#### OWNER/DEVELOPER'S STATEMENT:

I, THE OWNER/DEVELOPER HAVE READ AND WILL COMPLY WITH THE REQUIREMENTS OF THE GRADING AND EROSION CONTROL PLAN.

OWNER SIGNATURE \_\_\_\_\_ DATE \_\_\_\_\_

NAME: HAMMERS CONSTRUCTION  
ADDRESS: 1411 WOOLSEY HEIGHTS  
COLORADO SPRINGS, CO 80915  
PHONE: (719) 570-1599  
EMAIL: jbutler@hammersconstruction.com

#### EL PASO COUNTY:

COUNTY PLAN REVIEW IS PROVIDED ONLY FOR GENERAL CONFORMANCE WITH COUNTY DESIGN CRITERIA. THE COUNTY IS NOT RESPONSIBLE FOR THE ACCURACY AND ADEQUACY OF THE DESIGN, DIMENSIONS, AND/OR ELEVATIONS WHICH SHALL BE CONFIRMED AT THE JOB SITE. THE COUNTY THROUGH THE APPROVAL OF THIS DOCUMENT ASSUMES NO RESPONSIBILITY FOR COMPLETENESS AND/OR ACCURACY OF THIS DOCUMENT.

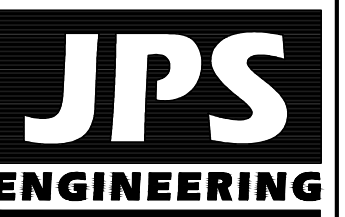
FILED IN ACCORDANCE WITH THE REQUIREMENTS OF THE EL PASO COUNTY LAND DEVELOPMENT CODE, DRAINAGE CRITERIA MANUAL, VOLUMES 1 AND 2, AND ENGINEERING CRITERIA MANUAL AS AMENDED.

IN ACCORDANCE WITH ECM SECTION 1.12, THESE CONSTRUCTION DOCUMENTS WILL BE VALID FOR CONSTRUCTION FOR A PERIOD OF 2 YEARS FROM THE DATE SIGNED BY THE EL PASO COUNTY ENGINEER. IF CONSTRUCTION HAS NOT STARTED WITHIN THOSE 2 YEARS, THEY WILL NEED TO BE RESUBMITTED FOR APPROVAL, INCLUDING PAYMENT OF REVIEW FEES AT THE PLANNING AND COMMUNITY DEVELOPMENT DIRECTOR'S DISCRETION.

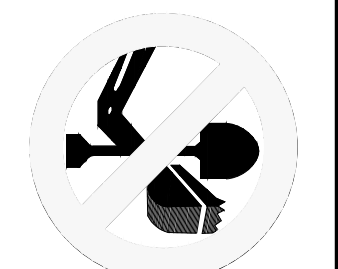
JOSHUA PALMER, P.E.,  
COUNTY ENGINEER / ECM ADMINISTRATOR \_\_\_\_\_ DATE \_\_\_\_\_

PCD FILE NO. PPRXXXX

CATHEDRAL ROCK CHURCH  
TRACT A, STRUTHERS RANCH FILING NO. 2



19 E. Willamette Ave.  
Colorado Springs, CO  
80903  
PH: 719-477-9429  
FAX: 719-471-0766  
www.jpsengr.com



CALL UTILITY NOTIFICATION  
CENTER OF COLORADO  
1-800-922-1987  
CALL 2-BUSINESS DAYS IN ADVANCE  
BEFORE YOU DIG, GRADE, OR EXCAVATE  
FOR THE MARKING OF UNDERGROUND  
MEMBER UTILITIES.

No.	REVISION	BY	DATE
1	EPC SUBMITTAL		09/23/24

GEC PLAN  
TITLE SHEET

HORIZ. SCALE:	N/A	DRAWN:	PV
VERT. SCALE:	N/A	DESIGNED:	JPS
SURVEYED:	RIDGELINE	CHECKED:	JPS
CREATED:	05/27/20	LAST MODIFIED:	09/23/24
PROJECT NO:	082401	MODIFIED BY:	PV

SHEET:

C1.0

**COUNTY GENERAL NOTES:**

- ALL DRAINAGE AND ROADWAY CONSTRUCTION SHALL MEET THE STANDARDS AND SPECIFICATIONS OF THE CITY OF COLORADO SPRINGS/EL PASO COUNTY DRAINAGE CRITERIA MANUAL, VOLUMES 1 AND 2, AND THE EL PASO COUNTY ENGINEERING CRITERIA MANUAL.
- CONTRACTOR SHALL BE RESPONSIBLE FOR THE NOTIFICATION AND FIELD LOCATION OF ALL EXISTING UTILITIES, WHETHER SHOWN ON THE PLANS OR NOT, BEFORE BEGINNING CONSTRUCTION. LOCATION OF EXISTING UTILITIES SHALL BE VERIFIED BY THE CONTRACTOR PRIOR TO CONSTRUCTION. CALL 811 TO CONTACT THE UTILITY NOTIFICATION CENTER OF COLORADO (UNCC).
- CONTRACTOR SHALL KEEP A COPY OF THESE APPROVED PLANS, THE GRADING AND EROSION CONTROL PLAN, THE STORMWATER MANAGEMENT PLAN (SWMP), THE SOILS AND GEOTECHNICAL REPORT, AND THE APPROPRIATE DESIGN AND CONSTRUCTION STANDARDS AND SPECIFICATIONS AT THE JOB SITE AT ALL TIMES, INCLUDING THE FOLLOWING:
  - EL PASO COUNTY ENGINEERING CRITERIA MANUAL (ECM)
  - CITY OF COLORADO SPRINGS/EL PASO COUNTY DRAINAGE CRITERIA MANUAL, VOLUMES 1 AND 2
  - COLORADO DEPARTMENT OF TRANSPORTATION (CDOT) STANDARD SPECIFICATIONS FOR ROAD AND BRIDGE CONSTRUCTION
  - CDOT M & S STANDARDS
- NOTWITHSTANDING ANYTHING DEPICTED IN THESE PLANS IN WORDS OR GRAPHIC REPRESENTATION, ALL DESIGN AND CONSTRUCTION RELATED TO ROADS, STORM DRAINAGE AND EROSION CONTROL SHALL CONFORM TO THE STANDARDS AND REQUIREMENTS OF THE MOST RECENT VERSION OF THE RELEVANT ADOPTED EL PASO COUNTY STANDARDS, INCLUDING THE LAND DEVELOPMENT CODE, THE DRAINAGE CRITERIA MANUAL, AND THE DRAINAGE CRITERIA MANUAL VOLUME 2. ANY DEVIATIONS FROM REGULATIONS AND STANDARDS MUST BE REQUESTED, AND APPROVED, IN WRITING. ANY MODIFICATIONS NECESSARY TO MEET CRITERIA AFTER-THE-FACT WILL BE ENTIRELY THE DEVELOPER'S RESPONSIBILITY TO RECTIFY.
- IT IS THE DESIGN ENGINEER'S RESPONSIBILITY TO ACCURATELY SHOW EXISTING CONDITIONS, BOTH ONSITE AND OFFSITE, ON THE CONSTRUCTION PLANS. ANY MODIFICATIONS NECESSARY DUE TO CONFLICTS, OMISSIONS, OR CHANGED CONDITIONS WILL BE ENTIRELY THE DEVELOPER'S RESPONSIBILITY TO RECTIFY.
- CONTRACTOR SHALL SCHEDULE A PRE-CONSTRUCTION MEETING WITH EL PASO COUNTY PLANNING AND COMMUNITY DEVELOPMENT (PCD) - INSPECTIONS, PRIOR TO STARTING CONSTRUCTION.
- IT IS THE CONTRACTOR'S RESPONSIBILITY TO UNDERSTAND THE REQUIREMENTS OF ALL JURISDICTIONAL AGENCIES AND TO OBTAIN ALL REQUIRED PERMITS, INCLUDING BUT NOT LIMITED TO EL PASO COUNTY EROSION AND STORMWATER QUALITY CONTROL PERMIT (ESQCP), REGIONAL BUILDING FLOODPLAIN DEVELOPMENT PERMIT, U.S. ARMY CORPS OF ENGINEERS-ISSUED 401 AND/OR 404 PERMITS, AND COUNTY AND STATE FUGITIVE DUST PERMITS.
- CONTRACTOR SHALL NOT DEVIATE FROM THE PLANS WITHOUT FIRST OBTAINING WRITTEN APPROVAL FROM THE DESIGN ENGINEER AND PCD. CONTRACTOR SHALL NOTIFY THE DESIGN ENGINEER IMMEDIATELY UPON DISCOVERY OF ANY ERRORS OR INCONSISTENCIES.
- ALL STORM DRAIN PIPE SHALL BE CLASS III RCP WITH CLASS B BEDDING UNLESS OTHERWISE NOTED AND APPROVED BY PCD.
- CONTRACTOR SHALL COORDINATE GEOTECHNICAL TESTING PER ECM STANDARDS. PAVEMENT DESIGN SHALL BE APPROVED BY EL PASO COUNTY PCD PRIOR TO PLACEMENT OF CURB AND GUTTER AND PAVEMENT.
- ALL CONSTRUCTION TRAFFIC MUST ENTER/EXIT THE SITE AT APPROVED CONSTRUCTION ACCESS POINTS.
- SIGHT VISIBILITY TRIANGLES AS IDENTIFIED IN THE PLANS SHALL BE PROVIDED AT ALL INTERSECTIONS. OBSTRUCTIONS GREATER THAN 18 INCHES ABOVE FLOWLINE ARE NOT ALLOWED WITHIN SIGHT TRIANGLES.
- SIGNING AND STRIPING SHALL COMPLY WITH EL PASO COUNTY DPW (DEPT. OF PUBLIC WORKS) AND MUTCD CRITERIA.
- CONTRACTOR SHALL OBTAIN ANY PERMITS REQUIRED BY EL PASO COUNTY DPW, INCLUDING WORK WITHIN THE RIGHT-OF-WAY AND SPECIAL TRANSPORT PERMITS.
- THE LIMITS OF CONSTRUCTION SHALL REMAIN WITHIN THE PROPERTY LINE UNLESS OTHERWISE NOTED. THE OWNER/DEVELOPER SHALL OBTAIN WRITTEN PERMISSION AND EASEMENTS, WHERE REQUIRED, FROM ADJOINING PROPERTY OWNER(S) PRIOR TO ANY OFF-SITE DISTURBANCE, GRADING, OR CONSTRUCTION.

**GENERAL DRAINAGE NOTES:**

- INDIVIDUAL BUILDERS SHALL PROVIDE POSITIVE DRAINAGE AWAY FROM STRUCTURES AND ACCOUNT FOR POTENTIAL CROSS-LOT DRAINAGE IMPACTS WITHIN EACH LOT.
- BUILDERS AND PROPERTY OWNERS SHALL IMPLEMENT & MAINTAIN EROSION CONTROL BEST MANAGEMENT PRACTICES FOR PROTECTION OF DOWNSTREAM PROPERTIES AND FACILITIES INCLUDING PROTECTION OF EXISTING GRASS BUFFER STRIPS ALONG THE DOWNSTREAM PROPERTY BOUNDARIES.
- GRADING AND DRAINAGE WITHIN LOTS IS THE RESPONSIBILITY OF THE INDIVIDUAL BUILDERS AND PROPERTY OWNERS.

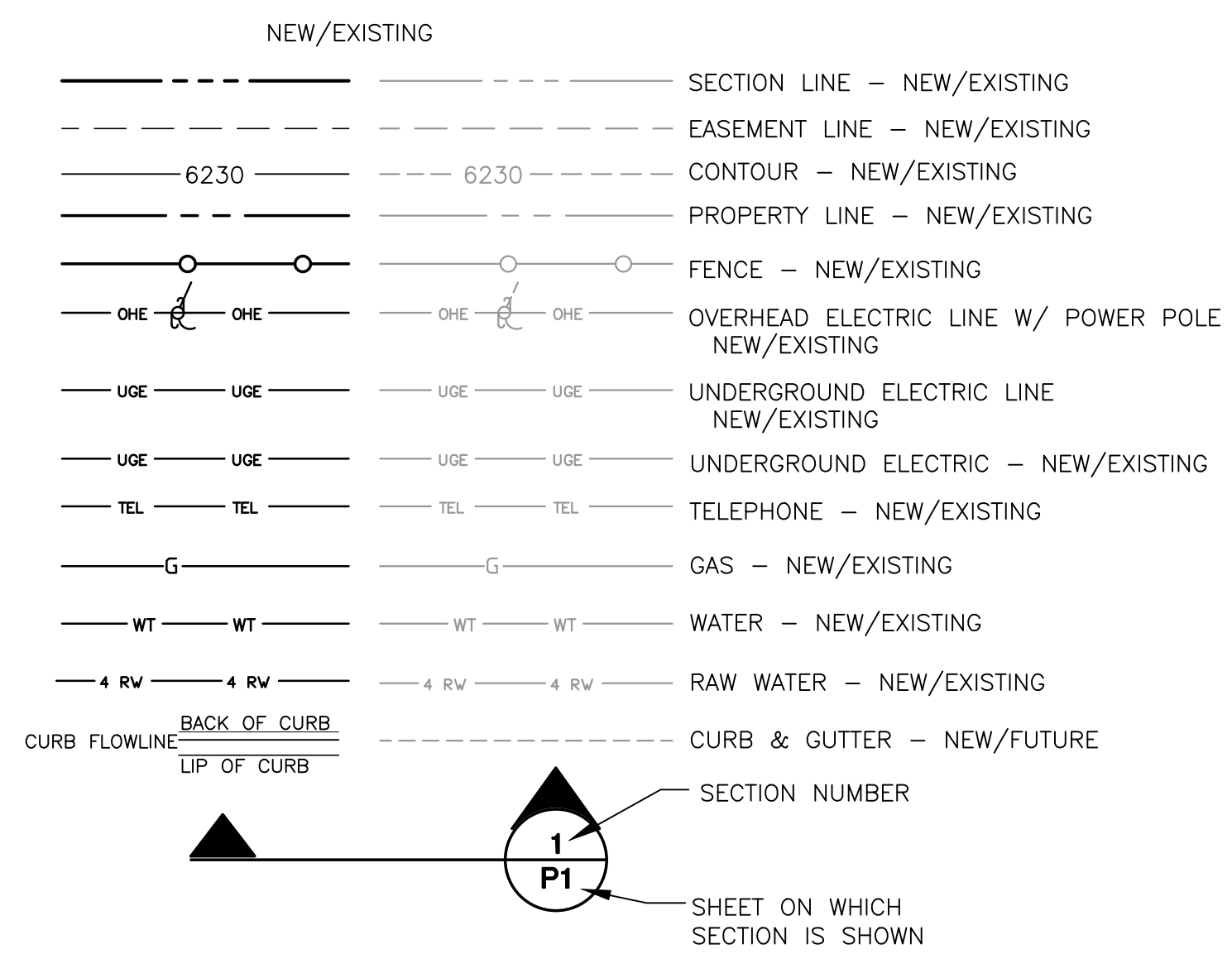
**COUNTY SIGNING AND STRIPING NOTES:**

- ALL SIGNS AND PAVEMENT MARKINGS SHALL BE IN COMPLIANCE WITH THE CURRENT MANUAL ON UNIFORM TRAFFIC CONTROL DEVICES (MUTCD).
- REMOVAL OF EXISTING PAVEMENT MARKINGS SHALL BE ACCOMPLISHED BY A METHOD THAT DOES NOT MATERIALLY DAMAGE THE PAVEMENT. THE PAVEMENT MARKINGS SHALL BE REMOVED TO THE EXTENT THAT THEY WILL NOT BE VISIBLE UNDER DAY OR NIGHT CONDITIONS. AT NO TIME WILL IT BE ACCEPTABLE TO PAINT OVER EXISTING PAVEMENT MARKINGS.
- ANY DEVIATION FROM THE STRIPING AND SIGNING PLAN SHALL BE APPROVED BY EL PASO COUNTY.
- ALL SIGNS SHOWN ON THE SIGNING AND STRIPING PLAN SHALL BE NEW SIGNS. EXISTING SIGNS MAY REMAIN OR BE REUSED IF THEY MEET CURRENT EL PASO COUNTY AND MUTCD STANDARDS.
- STREET NAME AND REGULATORY STOP SIGNS SHALL BE ON THE SAME POST AT INTERSECTIONS.
- ALL REMOVED SIGNS SHALL BE DISPOSED OF IN A PROPER MANNER BY THE CONTRACTOR.
- ALL STREET NAME SIGNS SHALL HAVE "D" SERIES LETTERS, WITH LOCAL ROADWAY SIGNS BEING 4" UPPER-LOWER CASE LETTERING ON 8" BLANK AND NON-LOCAL ROADWAY SIGNS BEING 6" LETTERING, UPPER-LOWER CASE ON 12" BLANK, WITH WHITE BORDER THAT IS NOT RECESSED. MULTI-LANE ROADWAYS WITH SPEED LIMITS OF 40 MPH OR HIGHER SHALL HAVE 8" UPPER-LOWER CASE LETTERING ON 18" BLANK WITH A WHITE BORDER THAT IS NOT RECESSED. THE WIDTH OF THE NON-RECESSED WHITE BORDERS SHALL MATCH PAGE 255 OF THE 2012 MUTCD "STANDARD HIGHWAY SIGNS".
- ALL TRAFFIC SIGNS SHALL HAVE A MINIMUM HIGH INTENSITY PRISMATIC GRADE SHEETING.
- ALL LOCAL RESIDENTIAL STREET SIGNS SHALL BE MOUNTED ON A 1.75" X 1.75" SQUARE TUBE SIGN POST AND STUB POST BASE. FOR OTHER APPLICATIONS, REFER TO THE CDOT STANDARD S-614-8 REGARDING USE OF THE P2 TUBULAR STEEL POST SLIPBASE DESIGN.
- ALL SIGNS SHALL BE SINGLE SHEET ALUMINUM WITH 0.100" MINIMUM THICKNESS.
- ALL LIMIT LINES/STOP LINES, CROSSWALK LINES, PAVEMENT LEGENDS, AND ARROWS SHALL BE A MINIMUM 125 MIL THICKNESS PREFORMED THERMOPLASTIC PAVEMENT MARKINGS WITH TAPERED LEADING EDGES PER CDOT STANDARD S-627-1. WORD AND SYMBOL MARKINGS SHALL BE THE NARROW TYPE. STOP BARS SHALL BE 24" IN WIDTH. CROSSWALKS LINES SHALL BE 12" WIDE AND 8' LONG PER CDOT S-627-1.
- ALL LONGITUDINAL LINES SHALL BE A MINIMUM 15MIL THICKNESS EPOXY PAINT. ALL NON-LOCAL RESIDENTIAL ROADWAYS SHALL INCLUDE BOTH RIGHT AND LEFT EDGE LINE STRIPING AND ANY ADDITIONAL STRIPING AS REQUIRED BY CDOT S-627-1.
- THE CONTRACTOR SHALL NOTIFY EL PASO COUNTY (719) 520-6819 PRIOR TO AND UPON COMPLETION OF SIGNING AND STRIPING.
- THE CONTRACTOR SHALL OBTAIN A WORK IN THE RIGHT OF WAY PERMIT FROM THE EL PASO COUNTY DEPARTMENT OF PUBLIC WORKS PRIOR TO ANY SIGNAGE OR STRIPING WORK WITHIN AN EXISTING EL PASO COUNTY ROADWAY.

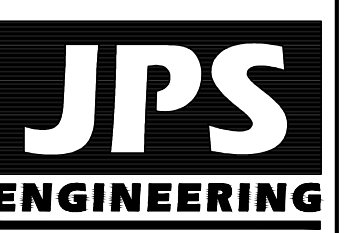
**PROJECT GENERAL NOTES:**

- THE CONTRACTOR SHALL BE RESPONSIBLE FOR THE NOTIFICATION AND FIELD LOCATION OF ALL EXISTING UTILITIES, WHETHER SHOWN ON THE PLANS OR NOT, BEFORE BEGINNING CONSTRUCTION. LOCATION OF EXISTING UTILITIES SHALL BE VERIFIED BY THE CONTRACTOR PRIOR TO ACTUAL CONSTRUCTION.
- EXISTING CONTOUR DATA PROVIDED BY OWNER CONSISTS OF SITE SURVEY FROM COMPASS LAND SURVEYING. JPS ENGINEERING TAKES NO RESPONSIBILITY FOR THE ACCURACY OF EXISTING TOPOGRAPHIC MAPPING.
- THE CONTRACTOR SHALL HAVE ONE (1) SIGNED COPY OF THESE APPROVED PLANS AND ONE (1) COPY OF THE APPROPRIATE DESIGN AND CONSTRUCTION STANDARDS AND SPECIFICATIONS AT THE JOB SITE AT ALL TIMES:
  - EL PASO COUNTY ENGINEERING CRITERIA MANUAL
  - CDOT STANDARD SPECIFICATIONS FOR ROAD & BRIDGE CONSTRUCTION
  - DONALA WATER & SANITATION DISTRICT STANDARDS & SPECIFICATIONS
- STORM DRAIN PIPE SHALL BE RCP CLASS III WITH CLASS C BEDDING UNLESS OTHERWISE NOTED. PROVIDE WATER-TIGHT JOINTS ON STORM SEWER PIPE.
- STATIONING IS AT CENTERLINE UNLESS OTHERWISE NOTED. ALL ELEVATIONS ARE AT FLOWLINE UNLESS OTHERWISE NOTED. ALL DIMENSIONS ARE FROM FACE OF CURB UNLESS OTHERWISE NOTED.
- PROPOSED CONTOURS SHOWN ARE TO FINISHED GRADE.
- LENGTHS SHOWN FOR STORM SEWER PIPES ARE TO CENTER OF MANHOLE.
- CONTRACTOR SHALL REMOVE AND DISPOSE OF ALL EXISTING STRUCTURES, DEBRIS, WASTE AND OTHER UNSUITABLE FILL MATERIAL FOUND WITHIN THE LIMITS OF EXCAVATION.
- MATCH INTO EXISTING GRADES AT 3:1 MAX CUT AND FILL SLOPES.
- REVEGETATION OF ALL DISTURBED AREAS SHALL BE DONE WITH SPECIFIED SEED MIX WITHIN 30 DAYS AFTER FINE GRADING IS COMPLETE.
- EROSION CONTROL SHALL CONSIST OF SILT FENCE AND OTHER BMP'S AS SHOWN ON THE DRAWINGS, AND TOPSOIL WITH GRASS SEED, WHICH WILL BE WATERED UNTIL VEGETATION HAS BEEN REESTABLISHED.
- THE EROSION CONTROL MEASURES OUTLINED ON THIS PLAN ARE THE RESPONSIBILITY OF THE DEVELOPER TO MONITOR AND REPLACE, REGRADE, AND REBUILD AS NECESSARY UNTIL VEGETATION IS REESTABLISHED.
- EROSION CONTROL MEASURES SHALL BE IMPLEMENTED IN A MANNER THAT WILL PROTECT ADJACENT PROPERTIES AND PUBLIC FACILITIES FROM THE ADVERSE EFFECTS OF EROSION AND SEDIMENTATION AS A RESULT OF CONSTRUCTION AND EARTHWORK ACTIVITIES WITHIN THE PROJECT SITE.
- ADDITIONAL EROSION CONTROL MEASURES MAY BE REQUIRED AS DETERMINED BY SITE CONDITIONS.
- THE CONTRACTOR WILL TAKE THE NECESSARY PRECAUTIONS TO PROTECT EXISTING UTILITIES FROM DAMAGE DUE TO THIS OPERATION. ANY DAMAGE TO THE UTILITIES WILL BE REPAIRED AT THE CONTRACTOR'S EXPENSE, AND ANY SERVICE DISRUPTION WILL BE SETTLED BY THE CONTRACTOR
- PEDESTRIAN RAMPS SHALL BE INSTALLED AT ALL INTERSECTIONS AND CONFORM TO COUNTY ENGINEERING STANDARDS AND SPECIFICATIONS.
- ALL FINISHED GRADES SHALL HAVE A MINIMUM 0.5% SLOPE TO PROVIDE POSITIVE DRAINAGE.
- WHERE PROPOSED SLOPES CONFLICT WITH PROPOSED SPOT ELEVATIONS, SPOT ELEVATIONS SHALL GOVERN.
- CONTRACTOR SHALL OBTAIN ALL REQUIRED PERMITS PRIOR TO BEGINNING WORK.
- ALL RESIDENTIAL STREET CURB RETURN RADII ARE 20- FEET AT FLOWLINE UNLESS OTHERWISE NOTED. ARTERIAL STREET CURB RETURN RADII ARE 35' UNLESS NOTED OTHERWISE.
- 25-FOOT SIGHT VISIBILITY TRIANGLES SHALL BE PROVIDED AT ALL RESIDENTIAL STREET INTERSECTIONS. 50-FOOT SIGHT TRIANGLES SHALL BE PROVIDED AT ARTERIAL STREET INTERSECTIONS. NO OBSTRUCTIONS TALLER THAN 18" ARE PERMITTED WITHIN THESE TRIANGLES.
- CONTRACTOR SHALL SCHEDULE A PRE-CONSTRUCTION MEETING WITH EL PASO COUNTY AND ALL UTILITIES INVOLVED IN PROJECT PRIOR TO MOBILIZING ON SITE.
- TYPE C STORM INLETS SHALL HAVE CLOSE-MESH GRATES.
- PROVIDE 10' TRANSITION FROM RAMP CURB TO VERTICAL CURB ON EACH SIDE OF STORM INLETS.
- ALL BACKFILL, SUB-BASE, AND/OR BASE COURSE MATERIAL SHALL BE COMPACTED PER EL PASO COUNTY AND CDOT STANDARDS AND SPECIFICATIONS AND PROJECT GEOTECHNICAL REPORT. CONTRACTOR SHALL STABILIZE ALL SUBGRADE AREAS PER GEOTECHNICAL ENGINEER'S RECOMMENDATIONS.

**LEGEND:**



**CATHEDRAL ROCK CHURCH TRACT A, STRUTHERS RANCH FILING NO. 2**



19 E. Willamette Ave.  
Colorado Springs, CO 80903  
PH: 719-477-9429  
FAX: 719-471-0766  
www.jpseng.com



CALL UTILITY NOTIFICATION CENTER OF COLORADO  
**1-800-922-1987**  
CALL 2-BUSINESS DAYS IN ADVANCE BEFORE YOU DIG, GRADE, OR EXCAVATE FOR THE MARKING OF UNDERGROUND MEMBER UTILITIES.

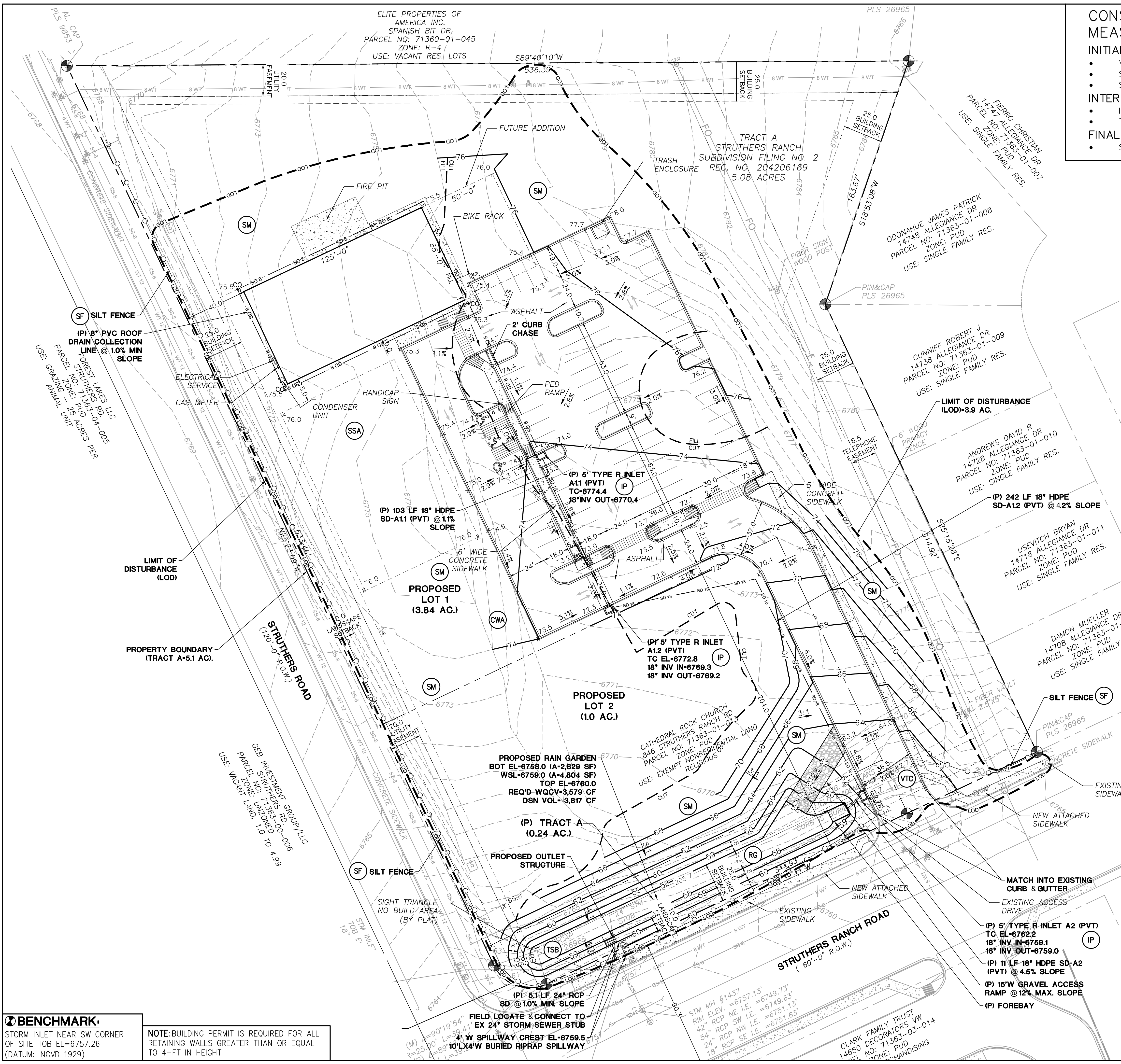
No.	REVISION	BY DATE	
		BY	DATE

**GENERAL NOTES AND LEGEND**

HORZ. SCALE: N/A	DRAWN: PV
VERT. SCALE: N/A	DESIGNED: JPS
SURVEYED: RIDGELINE	CHECKED: JPS
CREATED: 05/27/20	LAST MODIFIED: 09/18/24
PROJECT NO: 082401	MODIFIED BY: PV

SHEET: **G2.0**





**CONSTRUCTION CONTROL MEASURE PHASING:**

**INITIAL CCM'S:**

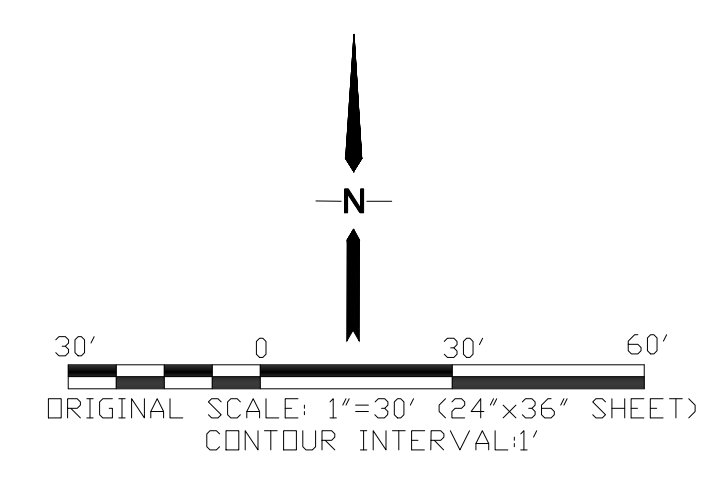
- VTC
- SF ALONG DOWNSTREAM LIMITS
- SEDIMENT BASIN

**INTERIM CCM'S:**

- INLET PROTECTION
- TEMPORARY SEED & MULCH

**FINAL CCM'S:**

- SEEDING & MULCHING



**JPS ENGINEERING**

19 E. Willamette Ave.  
 Colorado Springs, CO 80903  
 PH: 719-477-9429  
 FAX: 719-471-0766  
 www.jpsegr.com

CALL UTILITY NOTIFICATION CENTER OF COLORADO  
**1-800-922-1987**  
 CALL 2-BUSINESS DAYS IN ADVANCE BEFORE YOU DIG, GRADE, OR EXCAVATE FOR THE MARKING OF UNDERGROUND MEMBER UTILITIES.

**CATHEDRAL ROCK CHURCH TRACT A, STRUTHERS RANCH FILING NO. 2**

NO.	REVISION	DATE

**SITE GRADING AND EROSION CONTROL PLAN**

**KEYED NOTES:**

- TOPSOIL & STRIPPINGS STOCKPILE AREA
- CONTRACTOR MAY WASTE EXCESS CUT MATERIAL OR BORROW SUITABLE FILL MATERIAL FROM THIS AREA. MAINTAIN POSITIVE DRAINAGE & MATCH INTO EXISTING GRADES WITH 3:1 MAX. SLOPE.
- PREPARE AND COMPACT BUILDING FOUNDATION & SLABS PER PROJECT GEOTECHNICAL REPORT
- PARKING LOT PAVING PER GEOTECHNICAL REPORT (4" ASPHALT OVER 6" AGGREGATE BASE UNLESS NOTED OTHERWISE)
- STORAGE AREA FOR BUILDING MATERIALS, EQUIPMENT & CONSTRUCTION WASTE (CONTRACTOR MAY ADJUST AS NEEDED)
- MIN 4'x4' CONCRETE LANDING AT DOOR W/2.0% SLOPE AWAY FROM BUILDING

**ESTIMATED EARTHWORK QUANTITY:**

UNCLASSIFIED EXCAVATION (TOTAL CUT) = 5,886 CY  
 \* TOTAL FILL = 1,510 CY  
 NET (CUT) = 4,376 CY  
 \* (ASSUMES 15% COMPACTION FACTOR)

NOTE: THIS ESTIMATE IS PROVIDED FOR INFORMATION ONLY, REPRESENTING THE CALCULATED BULK EARTHWORK VOLUME TO FINISHED GRADE, EXCLUDING ANY ADJUSTMENT FOR PAVEMENT DEPTHS, ETC. CONTRACTOR SHALL MAKE HIS OWN DETERMINATION OF EARTHWORK QUANTITIES AS BASIS FOR BID PRICING AND NOTIFY ENGINEER OF ANY DISCREPANCIES.

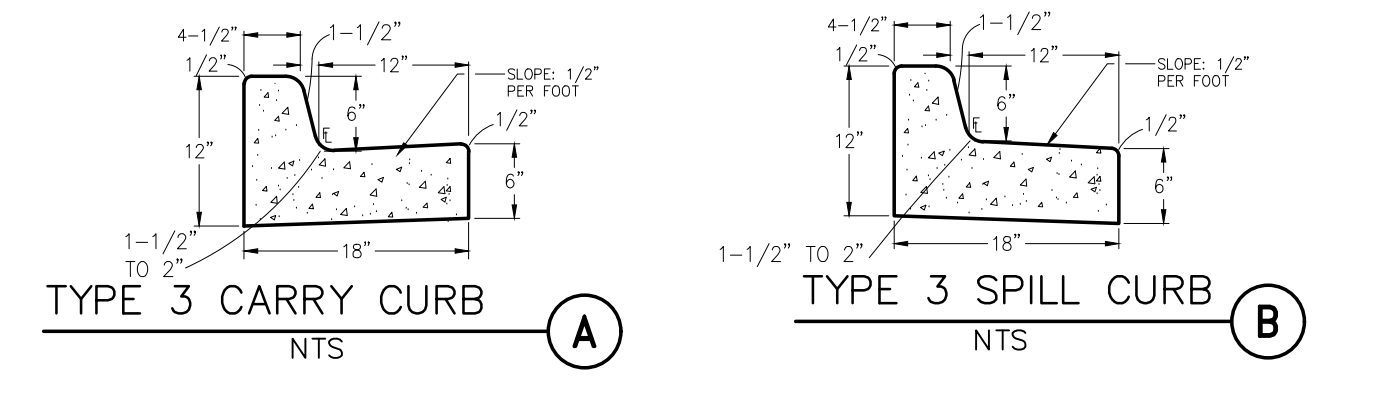
**EROSION CONTROL LEGEND:**

- SF SILT FENCE
- VTC VEHICLE TRACKING PAD
- IP INLET PROTECTION
- SM SEED & MULCH
- CWA CONCRETE WASHOUT AREA
- TSB TEMPORARY SEDIMENT BASIN
- RG RAIN GARDEN
- SSA STABILIZED STAGING AREA

**LEGEND:**

- PROPERTY LINE
- EASEMENT LINE
- PROPOSED CONTOUR
- EXISTING CONTOUR
- PROPOSED SPOT ELEVATION (FLOWLINE)
- EXIST. SPOT ELEVATION
- PROPOSED SLOPE
- TOP OF RETAINING WALL
- BOTTOM OF RETAINING WALL
- CUT/FILL DEMARCATION LINE
- LIMIT OF CONSTRUCTION/DISTURBANCE
- DOWNSPOUT CONNECTION TO STORM SEWER: INSTALL TRANSITION COUPLINGS & EXTEND 6" PVC (SDR35) AT 1.0% MIN. SLOPE TO SD
- DRAINAGE FLOW ARROW

- NOTES:**
- ALL EROSION CONTROL MEASURES SHALL CONFORM TO CITY OF COLORADO SPRINGS DRAINAGE CRITERIA MANUAL, VOLUME 2 REQUIREMENTS
  - EXISTING VEGETATION CONSISTS OF NATIVE GRASSES (APPROX. 50% COVERAGE)



**BENCHMARK:**  
 STORM INLET NEAR SW CORNER OF SITE TOB EL=6757.26 (DATUM: NGVD 1929)

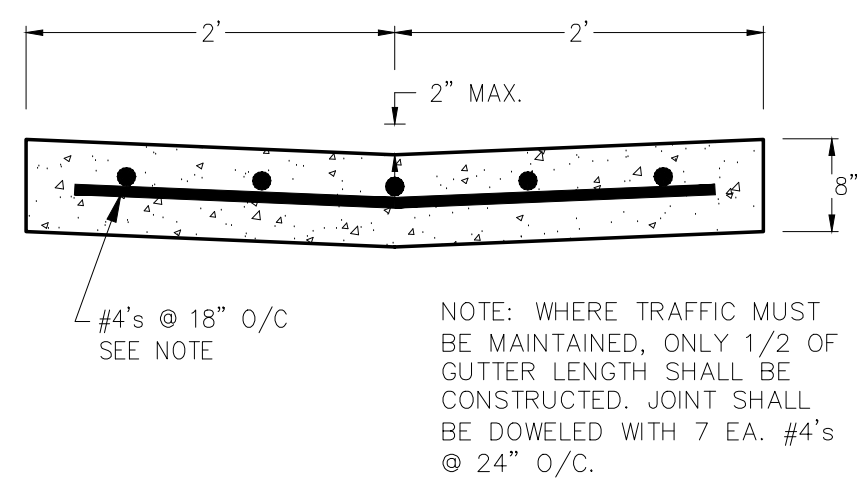
NOTE: BUILDING PERMIT IS REQUIRED FOR ALL RETAINING WALLS GREATER THAN OR EQUAL TO 4-FT IN HEIGHT

HORZ. SCALE: 1"=30'	DRAWN: PV
VERT. SCALE: N/A	DESIGNED: JPS
SURVEYED: RIDGELINE	CHECKED: JPS
CREATED: 05/27/20	LAST MODIFIED: 09/23/24
PROJECT NO: 082401	MODIFIED BY: PV
SHEET:	<b>C1.1</b>

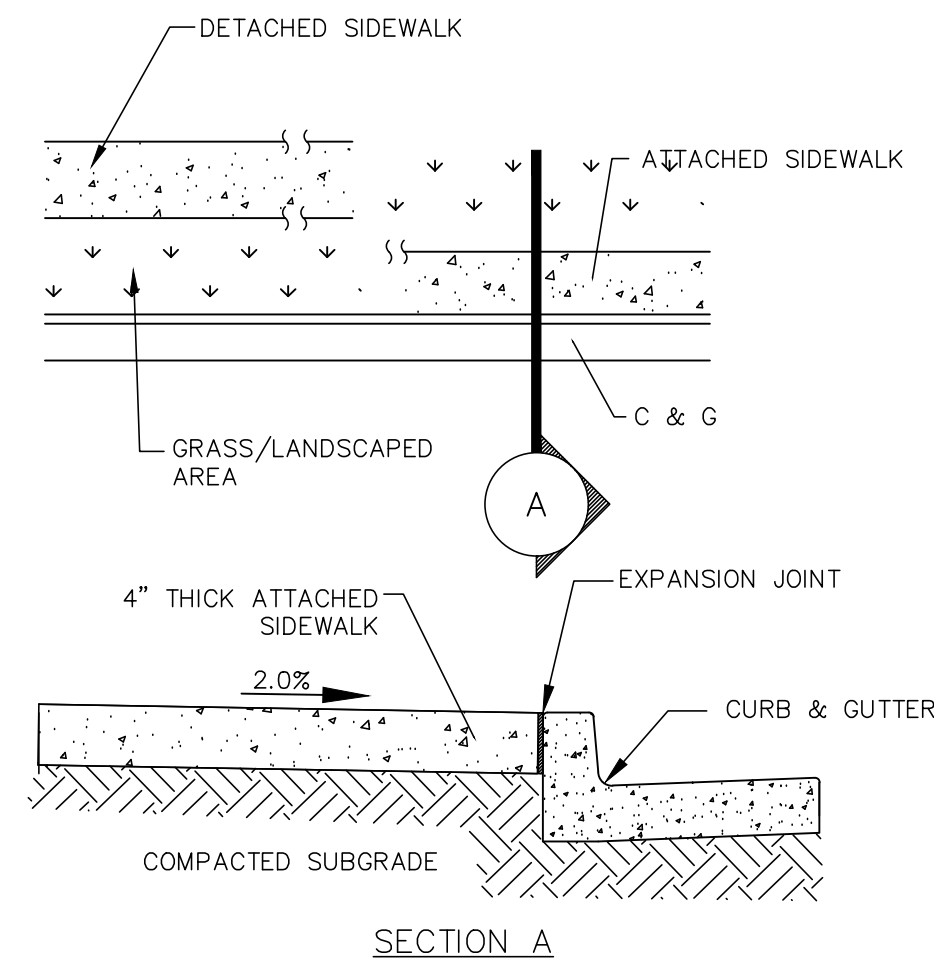




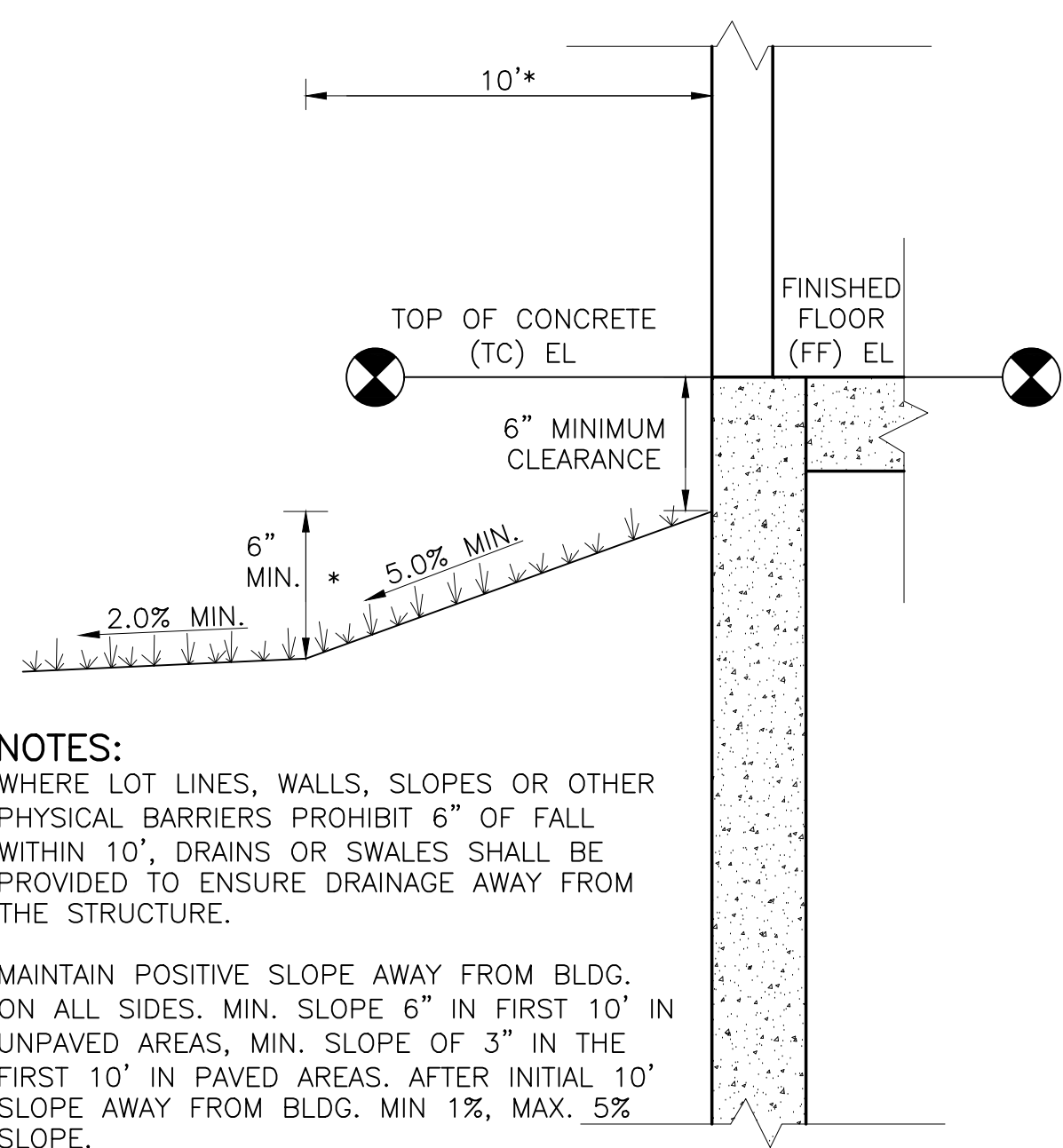




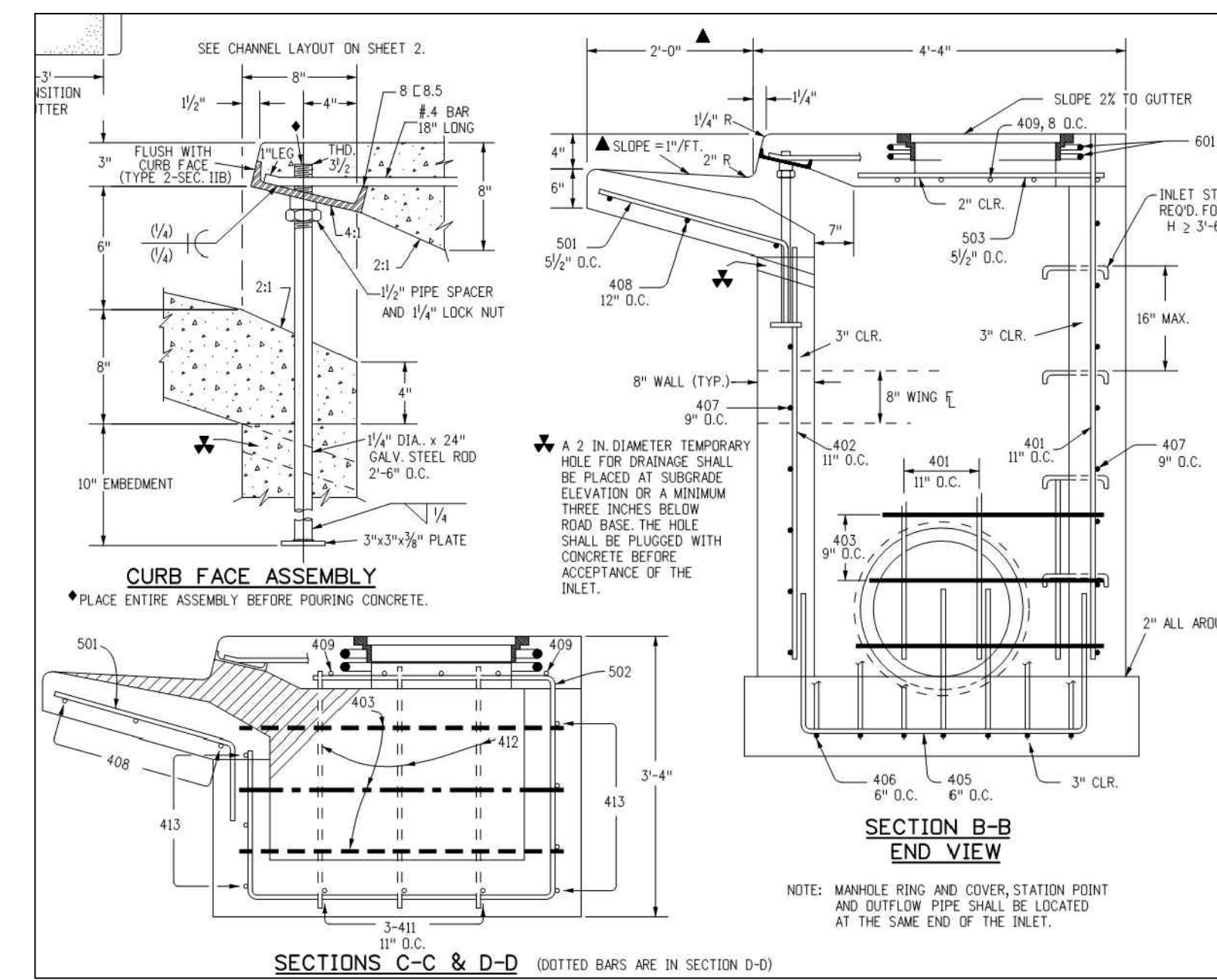
TYPICAL CONCRETE CROSSPAN (A)  
SCALE: 1" = 1'-0"



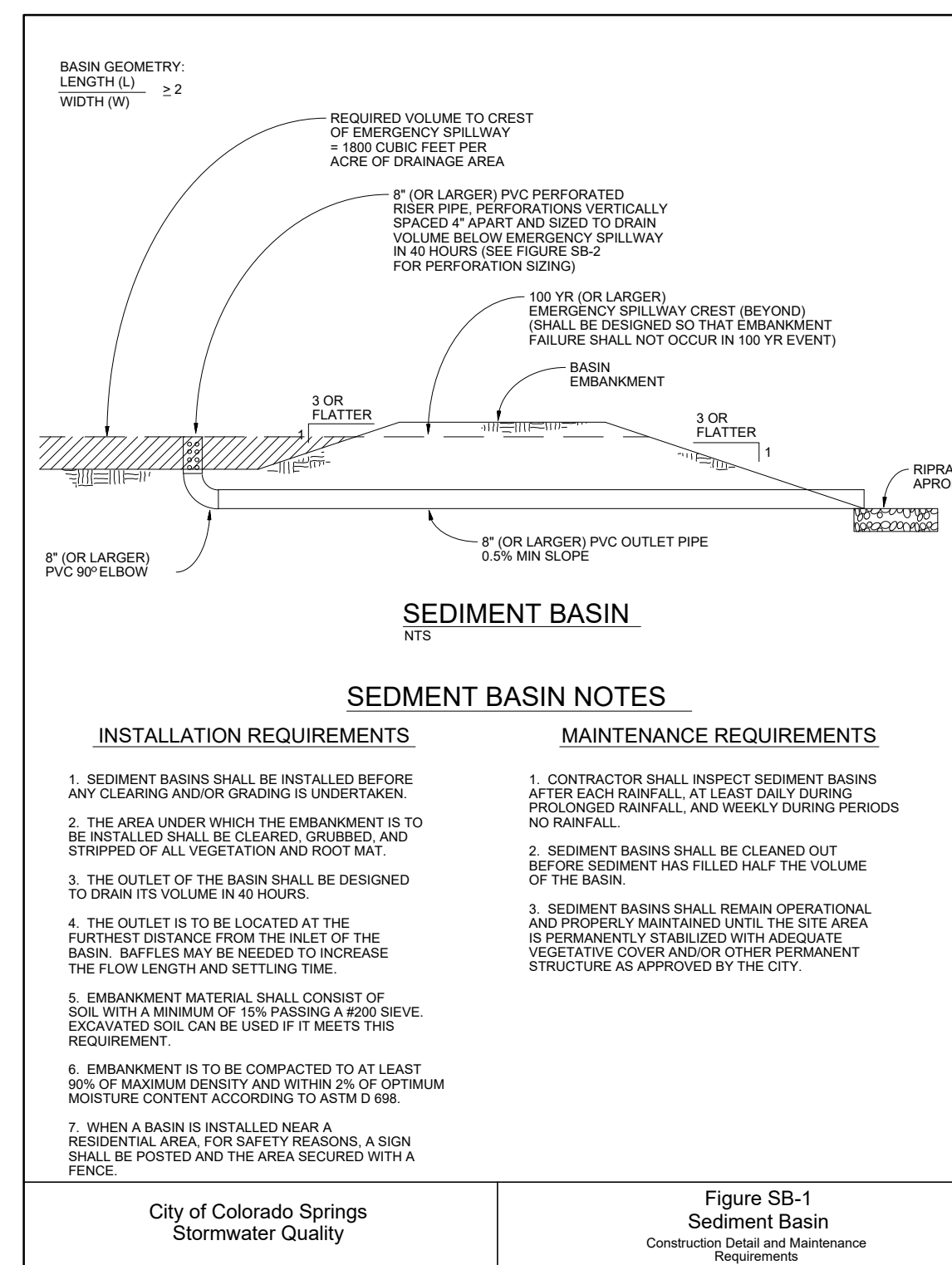
CONCRETE SIDEWALK DETAIL (B)  
N.T.S.



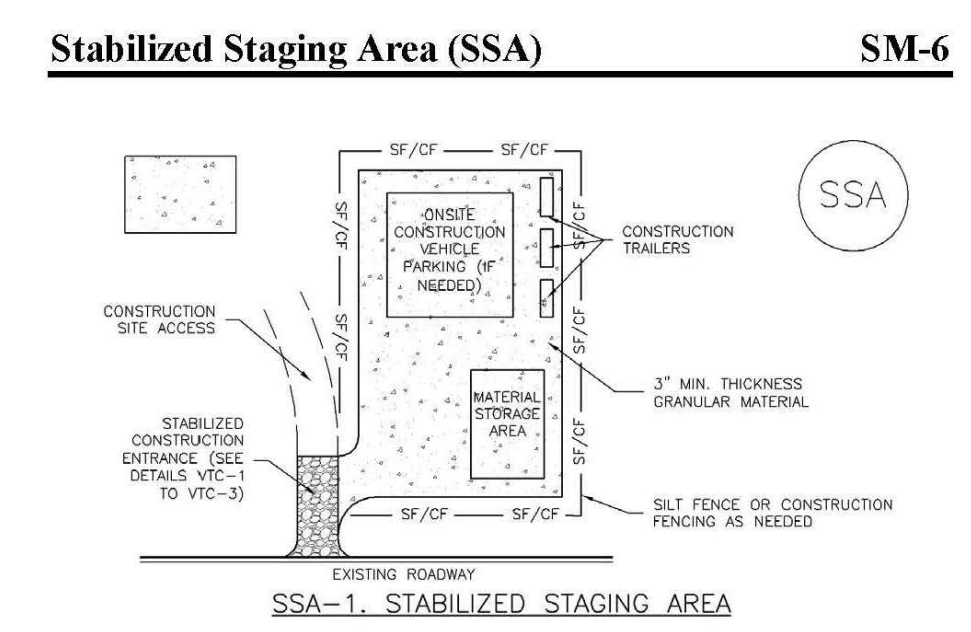
TYPICAL BUILDING DRAINAGE DETAIL (D)  
SCALE: NTS



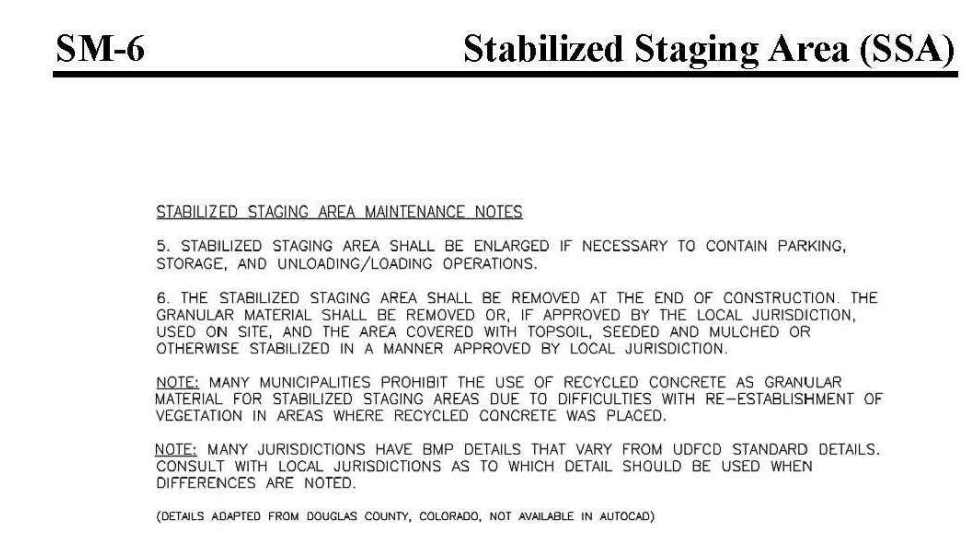
CDOT INLET TYPE R DETAIL



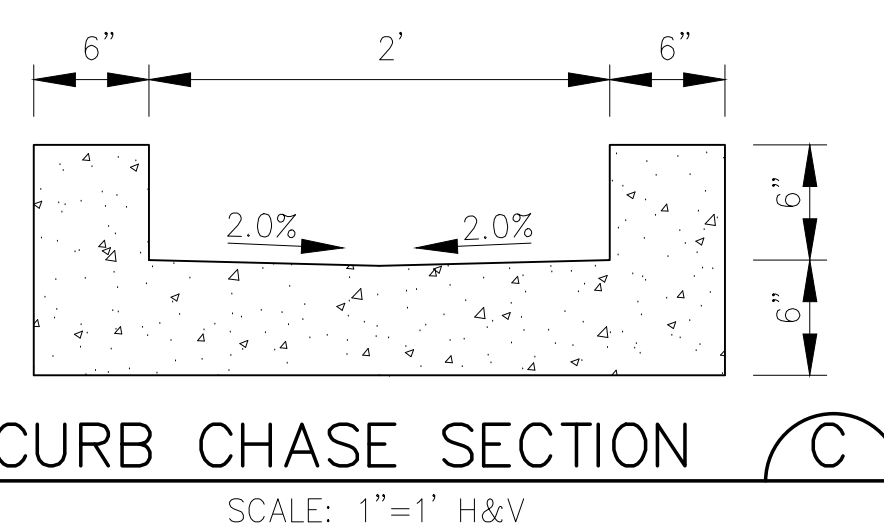
City of Colorado Springs  
Stormwater Quality  
Figure SB-1  
Sediment Basin  
Construction Detail and Maintenance  
Requirements



Stabilized Staging Area (SSA) SM-6  
November 2010  
Urban Drainage and Flood Control District  
Urban Storm Drainage Criteria Manual Volume 3  
SSA-3



Stabilized Staging Area (SSA) SM-6  
November 2010  
Urban Drainage and Flood Control District  
Urban Storm Drainage Criteria Manual Volume 3  
SSA-4



CURB CHASE SECTION (C)  
SCALE: 1"=1' H&V

CATHEDRAL ROCK CHURCH  
TRACT A, STRUTHERS RANCH FILING NO. 2

**JPS**  
ENGINEERING  
19 E. Willamette Ave.  
Colorado Springs, CO  
80903  
PH: 719-477-9429  
FAX: 719-471-0766  
www.jpsegr.com

CALL UTILITY NOTIFICATION  
CENTER OF COLORADO  
1-800-922-1987  
CALL 2-BUSINESS DAYS IN ADVANCE  
BEFORE YOU DIG, GRADE, OR EXCAVATE  
FOR THE MARKING OF UNDERGROUND  
MEMBER UTILITIES.

NO.	REVISION	BY	DATE

CIVIL AND EROSION  
CONTROL DETAILS

HORZ. SCALE:	N/A	DRAWN:	PV
VERT. SCALE:	N/A	DESIGNED:	JPS
SURVEYED:	RIDGELINE	CHECKED:	JPS
CREATED:	05/27/20	LAST MODIFIED:	09/18/24
PROJECT NO.:	082401	MODIFIED BY:	PV
SHEET:	C4.1		



