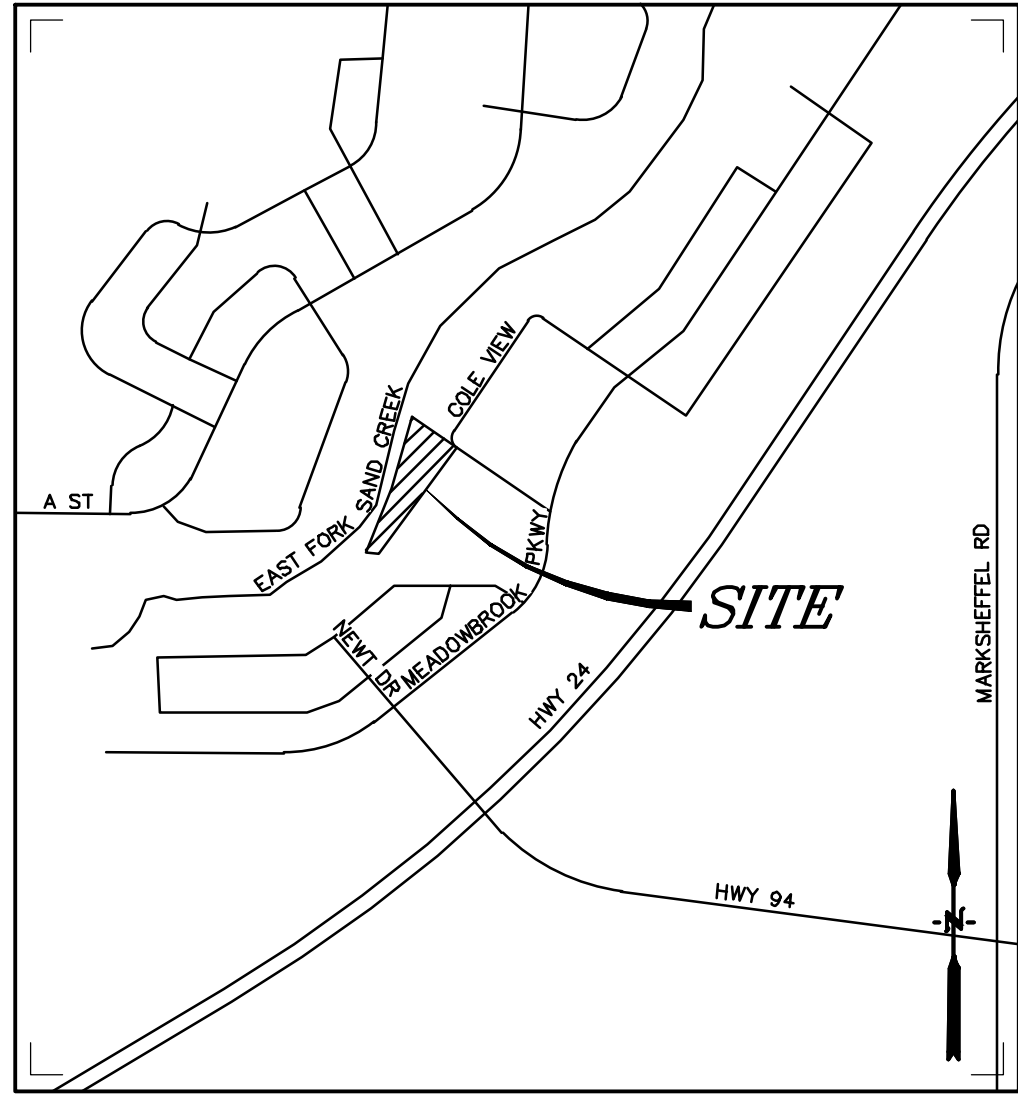


# 7315 COLE VIEW

## EL PASO COUNTY, COLORADO

### PERMANENT CONTROL MEASURE (PCM) PLAN



**VICINITY MAP**  
NTS

**SHEET INDEX**

- |   |     |                                 |
|---|-----|---------------------------------|
| 1 | CV  | PERMANENT BMP COVER SHEET       |
| 2 | PD  | DETENTION POND DETAILS          |
| 3 | FB  | CONCRETE FOREBAY DETAILS        |
| 4 | OUT | POND A OUTLET STRUCTURE DETAILS |

**CONSTRUCTION NOTES**

ALL DRAINAGE AND ROADWAY CONSTRUCTION SHALL MEET THE STANDARDS AND SPECIFICATIONS OF THE CITY OF COLORADO SPRINGS/EL PASO COUNTY DRAINAGE CRITERIA MANUAL, VOLUMES 1 AND 2, AND THE EL PASO COUNTY ENGINEERING CRITERIA MANUAL.

CONTRACTOR SHALL BE RESPONSIBLE FOR THE NOTIFICATION AND FIELD NOTIFICATION OF ALL EXISTING UTILITIES, WHETHER SHOWN ON THE PLANS OR NOT, BEFORE BEGINNING CONSTRUCTION. LOCATION OF EXISTING UTILITIES SHALL BE VERIFIED BY THE CONTRACTOR PRIOR TO CONSTRUCTION. CALL 811 TO CONTACT THE UTILITY NOTIFICATION CENTER OF COLORADO (UNCC).

CONTRACTOR SHALL KEEP A COPY OF THESE APPROVED PLANS, THE GRADING AND EROSION CONTROL PLAN, THE STORMWATER MANAGEMENT PLAN (SWMP), THE SOILS AND GEOTECHNICAL REPORT, AND THE APPROPRIATE DESIGN AND CONSTRUCTION STANDARDS AND SPECIFICATIONS AT THE JOB SITE AT ALL TIMES, INCLUDING THE FOLLOWING:

- EL PASO COUNTY ENGINEERING CRITERIA MANUAL (ECM)
- CITY OF COLORADO SPRINGS/EL PASO COUNTY DRAINAGE CRITERIA MANUAL, VOLUMES 1 AND 2
- COLORADO DEPARTMENT OF TRANSPORTATION (CDOT) STANDARD SPECIFICATIONS FOR ROAD AND BRIDGE CONSTRUCTION
- CDOT M&S STANDARDS

NOTWITHSTANDING ANYTHING DEPICTED IN THESE PLANS IN WORDS OR GRAPHIC REPRESENTATION, ALL DESIGN AND CONSTRUCTION RELATED TO ROADS, STORM DRAINAGE AND EROSION CONTROL SHALL CONFORM TO THE STANDARDS AND REQUIREMENTS OF THE MOST RECENT VERSION OF THE RELEVANT ADOPTED EL PASO COUNTY STANDARDS, INCLUDING THE LAND DEVELOPMENT CODE, THE ENGINEERING CRITERIA MANUAL, THE DRAINAGE CRITERIA MANUAL, AND THE DRAINAGE CRITERIA MANUAL VOLUME 2. ANY DEVIATIONS FROM REGULATIONS AND STANDARDS MUST BE REQUESTED, AND APPROVED, IN WRITING. ANY MODIFICATIONS NECESSARY TO MEET CRITERIA AFTER-THE-FACT WILL BE ENTIRELY THE DEVELOPER'S RESPONSIBILITY TO RECTIFY.

IT IS THE DESIGN ENGINEER'S RESPONSIBILITY TO ACCURATELY SHOW EXISTING CONDITIONS, BOTH ONSITE AND OFFSITE, ON THE CONSTRUCTION PLANS. ANY MODIFICATIONS NECESSARY DUE TO CONFLICTS, OMISSIONS, OR CHANGED CONDITIONS WILL BE ENTIRELY THE DEVELOPER'S RESPONSIBILITY TO RECTIFY.

CONTRACTOR SHALL SCHEDULE AND PRE-CONSTRUCTION MEETING WITH EL PASO COUNTY PLANNING AND COMMUNITY DEVELOPMENT (PCD) – INSPECTIONS, PRIOR TO STARTING CONSTRUCTION.

IT IS THE CONTRACTOR'S RESPONSIBILITY TO UNDERSTAND THE REQUIREMENTS OF ALL JURISDICTIONAL AGENCIES AND TO OBTAIN ALL REQUIRED PERMITS, INCLUDING BUT NOT LIMITED TO EL PASO COUNTY EROSION AND STORMWATER QUALITY CONTROL PERMIT (ESQCP), REGIONAL BUILDING FLOODPLAIN DEVELOPMENT PERMIT, U.S. ARMY CORPS OF ENGINEERS-ISSUED 401 AND/OR 404 PERMITS, AND COUNTY AND STATE FUGITIVE DUST PERMITS.

CONTRACTOR SHALL NOT DEVIATE FROM THE PLANS WITHOUT FIRST OBTAINING WRITTEN APPROVAL FROM THE DESIGN ENGINEER AND PCD. CONTRACTOR SHALL NOTIFY THE DESIGN ENGINEER IMMEDIATELY UPON DISCOVERY OF ANY ERRORS OR INCONSISTENCIES.

ALL STORM DRAIN PIPE SHALL BE CLASS III RCP UNLESS OTHERWISE NOTED AND APPROVED BY PCD.

CONTRACTOR SHALL COORDINATE GEOTECHNICAL TESTING PER ECM STANDARDS. PAVEMENT DESIGN SHALL BE APPROVED BY EL PASO COUNTY PCD PRIOR TO PLACEMENT OF CURB AND GUTTER AND PAVEMENT.

ALL CONSTRUCTION TRAFFIC MUST ENTER/EXIT THE SITE AT APPROVED CONSTRUCTION ACCESS POINTS.

SIGHT VISIBILITY TRIANGLES AS IDENTIFIED IN THE PLANS SHALL BE PROVIDED AT ALL INTERSECTIONS. OBSTRUCTION GREATER THAN 18 INCHES ABOVE FLOWLINE ARE NOT ALLOWED WITHIN SIGHT TRIANGLES.

SIGNING AND STRIPING SHALL COMPLY WITH EL PASO COUNTY DOT AND MUTCD CRITERIA. (IF APPLICABLE, ADDITIONAL SIGNING AND STRIPING NOTES WILL BE PROVIDED.)

CONTRACTOR SHALL OBTAIN ANY PERMITS REQUIRED BY EL PASO COUNTY DOT, INCLUDING WORK WITHIN THE RIGHT-OF-WAY AND SPECIAL TRANSPORT PERMITS.

THE LIMITS OF CONSTRUCTION SHALL REMAIN WITHIN THE PROPERTY LINE UNLESS OTHERWISE NOTED. THE OWNER/DEVELOPER SHALL OBTAIN WRITTEN PERMISSION AND EASEMENTS, WHERE REQUIRED, FROM ADJOINING PROPERTY OWNER(S) PRIOR TO ANY OFF-SITE DISTURBANCE, GRADING, OR CONSTRUCTION.

EL PASO COUNTY DOES NOT OWN AND IS NOT RESPONSIBLE FOR THE UNDERDRAINS OR GROUNDWATER DISCHARGE SYSTEMS SHOWN ON THESE PLANS AND ASSUMES NO LIABILITY FOR WATER RIGHTS ADMINISTRATION BY APPROVING THESE PLANS. MAINTENANCE AND WATER RIGHTS ARE THE RESPONSIBILITY OF THE DEVELOPER AND OWNER.

**SOIL TYPE**

ACCORDING TO THE SOIL SURVEY OF EL PASO COUNTY AREA, COLORADO, PREPARED BY THE U.S. DEPARTMENT OF AGRICULTURE NATURAL RESOURCES CONSERVATION SERVICE (NCRS), THE SITE IS UNDERLAIN BY ELLICOTT LOAMY COARSE SAND, WHICH IS CLASSIFIED AS A HYDROLOGICAL SOIL GROUP A. RUNOFF COEFFICIENTS CORRESPONDING TO GROUPS A AND B WERE USED FOR THE PURPOSES OF THE SITE DRAINAGE ANALYSIS.

**FLOODPLAIN STATEMENT**

ACCORDING TO THE FEDERAL EMERGENCY MANAGEMENT AGENCY (FEMA) FLOOD INSURANCE RATE MAP (FIRM) PANEL 08041C0752G (DECEMBER 7, 2018), THE DEVELOPED PORTION OF SITE DOES NOT LIE WITHIN A DESIGNATED 100-YEAR FLOODPLAIN.

**DESIGN ENGINEER'S STATEMENT**

THESE DETAILED PLANS AND SPECIFICATIONS WERE PREPARED UNDER MY DIRECTION AND SUPERVISION. SAID PLANS AND SPECIFICATIONS HAVE BEEN PREPARED ACCORDING TO THE CRITERIA ESTABLISHED BY THE COUNTY FOR DETAILED ROADWAY, DRAINAGE, GRADING AND EROSION CONTROL PLANS AND SPECIFICATIONS, AND SAID PLANS AND SPECIFICATION ARE IN CONFORMITY WITH APPLICABLE MASTER DRAINAGE PLANS AND MASTER TRANSPORTATION PLANS. SAID PLANS AND SPECIFICATIONS MEET THE PURPOSES FOR WHICH THE PARTICULAR ROADWAY AND DRAINAGE FACILITIES ARE DESIGNED AND ARE CORRECT TO THE BEST OF MY KNOWLEDGE AND BELIEF. I ACCEPT RESPONSIBILITY FOR ANY LIABILITY CAUSED BY ANY NEGLIGENT ACTS, ERRORS OR OMISSIONS ON MY PART IN PREPARATION OF THESE DETAILED PLANS AND SPECIFICATIONS.

SIGNATURE:  DATE: 2/13/24

TIM McCONNELL, P.E.  
P.E.# 33797

**OWNER/DEVELOPER'S STATEMENT**

I, THE OWNER/DEVELOPER HAVE READ AND WILL COMPLY WITH THE REQUIREMENTS OF THE GRADING AND EROSION CONTROL PLAN AND ALL OF THE REQUIREMENTS SPECIFIED IN THESE DETAILED PLANS AND SPECIFICATIONS.

SIGNATURE:  DATE: 2/13/24

RYAN FOSTER, OWNER  
BLACK DIAMOND CABLE  
7315 COLE VIEW  
COLORADO SPRINGS, CO 80915

**EL PASO COUNTY**

COUNTY PLAN REVIEW IS PROVIDED ONLY FOR GENERAL CONFORMANCE WITH COUNTY DESIGN CRITERIA. THE COUNTY IS NOT RESPONSIBLE FOR THE ACCURACY AND ADEQUACY OF THE DESIGN, DIMENSIONS, AND/OR ELEVATIONS WHICH SHALL BE CONFIRMED AT THE JOB SITE. THE COUNTY THROUGH THE APPROVAL OF THIS DOCUMENT ASSUMES NO RESPONSIBILITY FOR COMPLETENESS AND/OR ACCURACY OF THIS DOCUMENT.

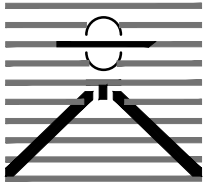
FILED IN ACCORDANCE WITH THE REQUIREMENTS OF THE EL PASO COUNTY LAND DEVELOPMENT CODE, DRAINAGE CRITERIA MANUAL, VOLUMES 1 AND 2, AND ENGINEERING CRITERIA MANUAL AS AMENDED.

IN ACCORDANCE WITH ECM SECTION 1.12, THESE CONSTRUCTION DOCUMENTS WILL BE VALID FOR CONSTRUCTION FOR A PERIOD OF 2 YEARS FROM THE DATE SIGNED BY THE EL PASO COUNTY ENGINEER. IF CONSTRUCTION HAS NOT STARTED WITHIN THOSE 2 YEARS, THE PLANS WILL NEED TO BE RESUBMITTED FOR APPROVAL, INCLUDING PAYMENT OF REVIEW FEES AT THE PLANNING AND COMMUNITY DEVELOPMENT DIRECTORS DISCRETION.

SIGNATURE: \_\_\_\_\_ DATE: \_\_\_\_\_

JOSHUA PALMER, P.E.  
COUNTY ENGINEER/ECM ADMINISTRATOR

PREPARED BY:



DREXEL, BARRELL & CO.  
Engineers & Surveyors  
3 SOUTH 7TH STREET  
COLORADO SPRGS, COLORADO 80905  
CONTACT: TIM D. McCONNELL, P.E.  
(719)260-0887  
BOULDER • COLORADO SPRINGS • GREELEY

CLIENT:

BLACK DIAMOND CABLE

7315 COLE VIEW  
COLORADO SPRINGS, CO 80915  
CONTACT: RYAN FOSTER  
(719) 306-4478

SITE DEVELOPMENT PLAN FOR:  
**7315 COLE VIEW**  
EL PASO COUNTY, COLORADO

ISSUE	DATE
INITIAL ISSUE	10/12/23
LATEST ISSUE	2/13/24

DESIGNED BY:	SBN
DRAWN BY:	SBN
CHECKED BY:	TDM
FILE NAME:	21813-00PDCV



PREPARED UNDER MY DIRECT SUPERVISION FOR AND ON BEHALF OF DREXEL, BARRELL & CO.

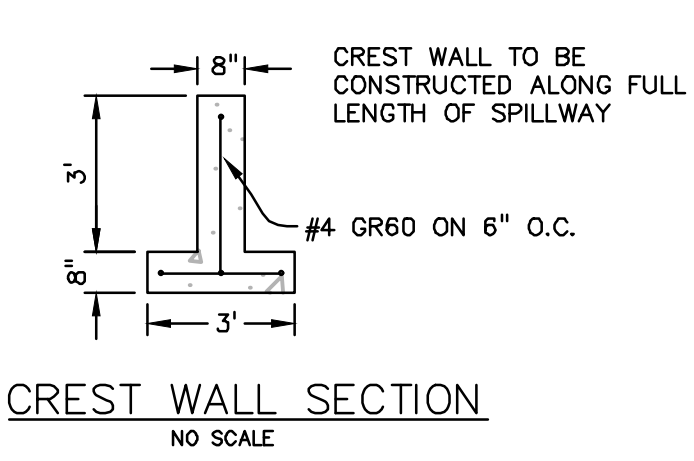
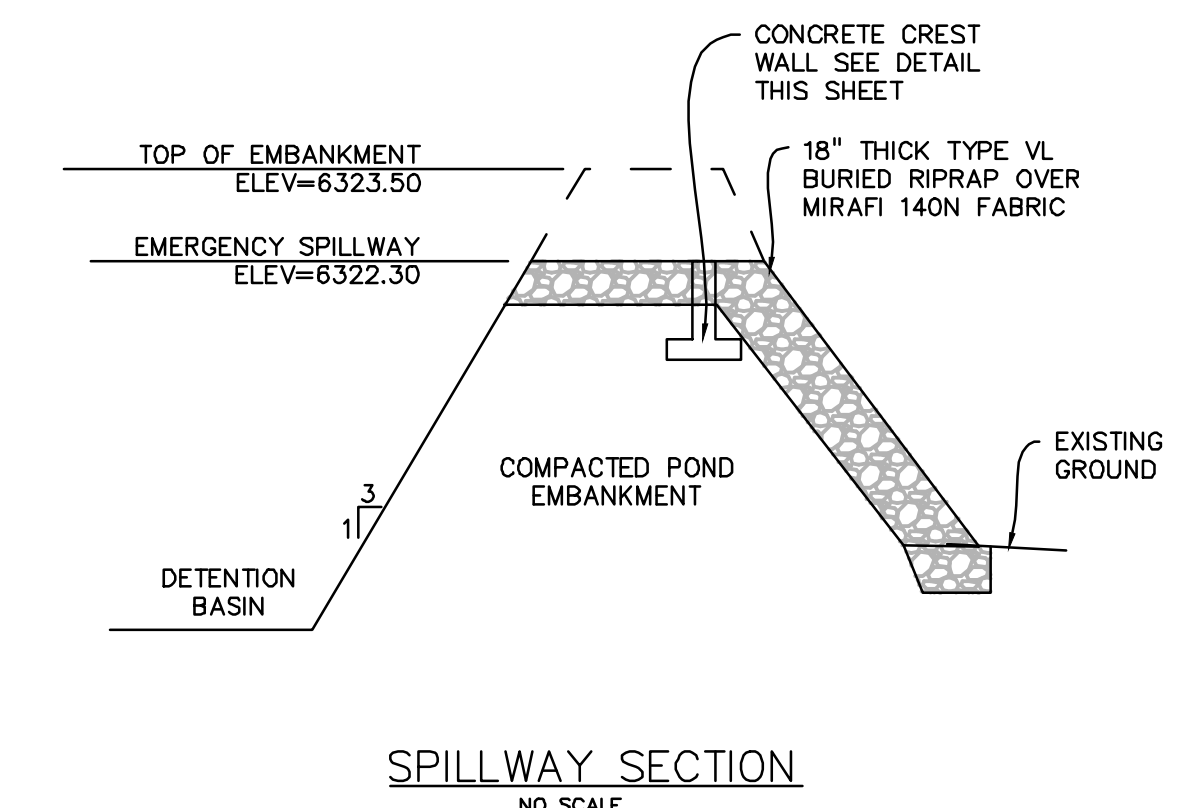
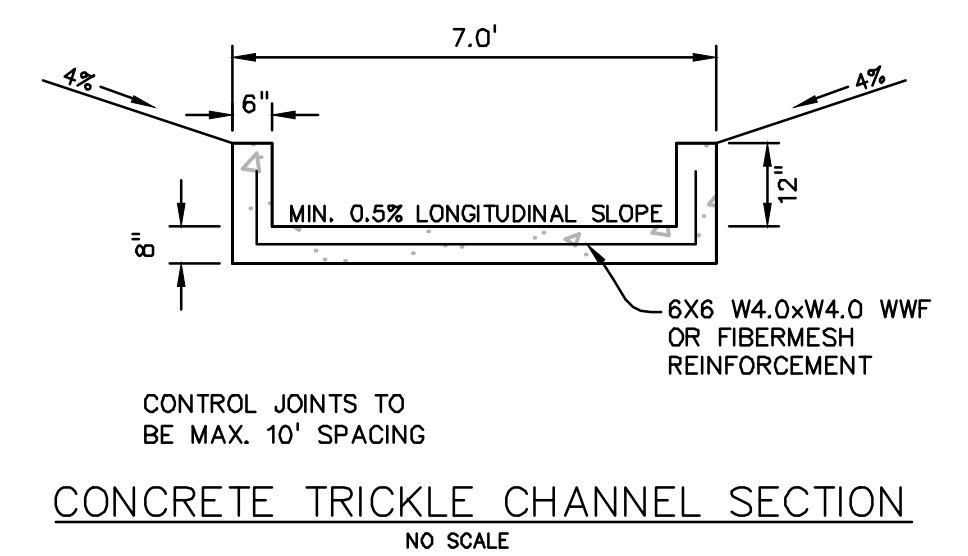
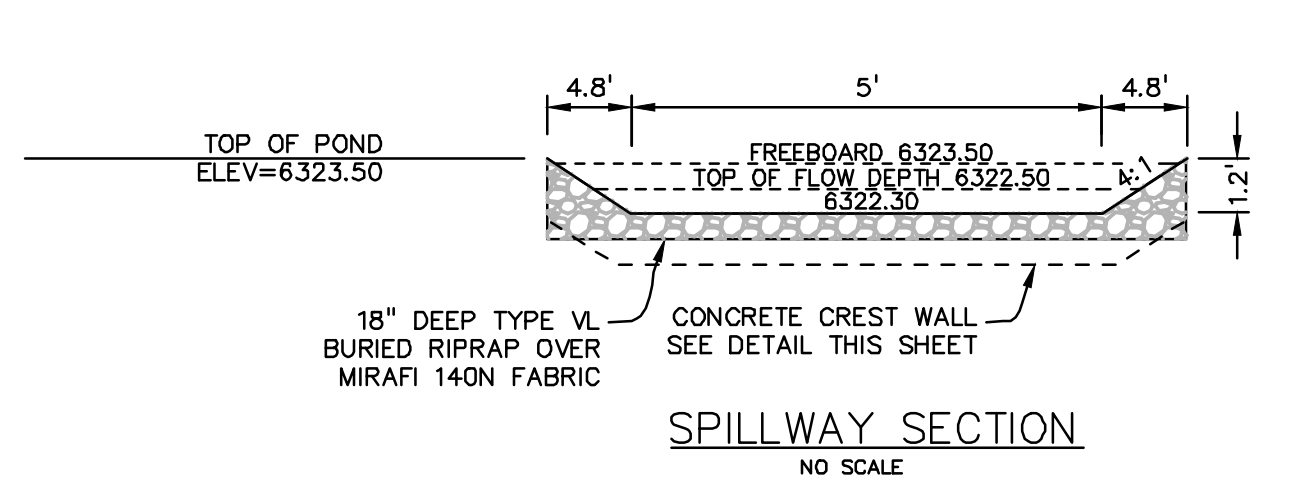
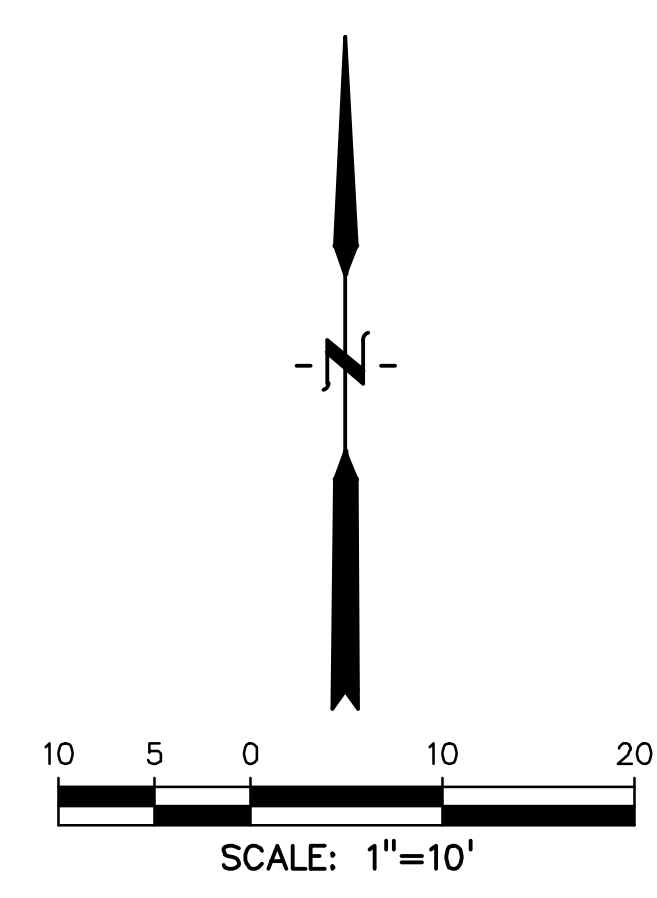
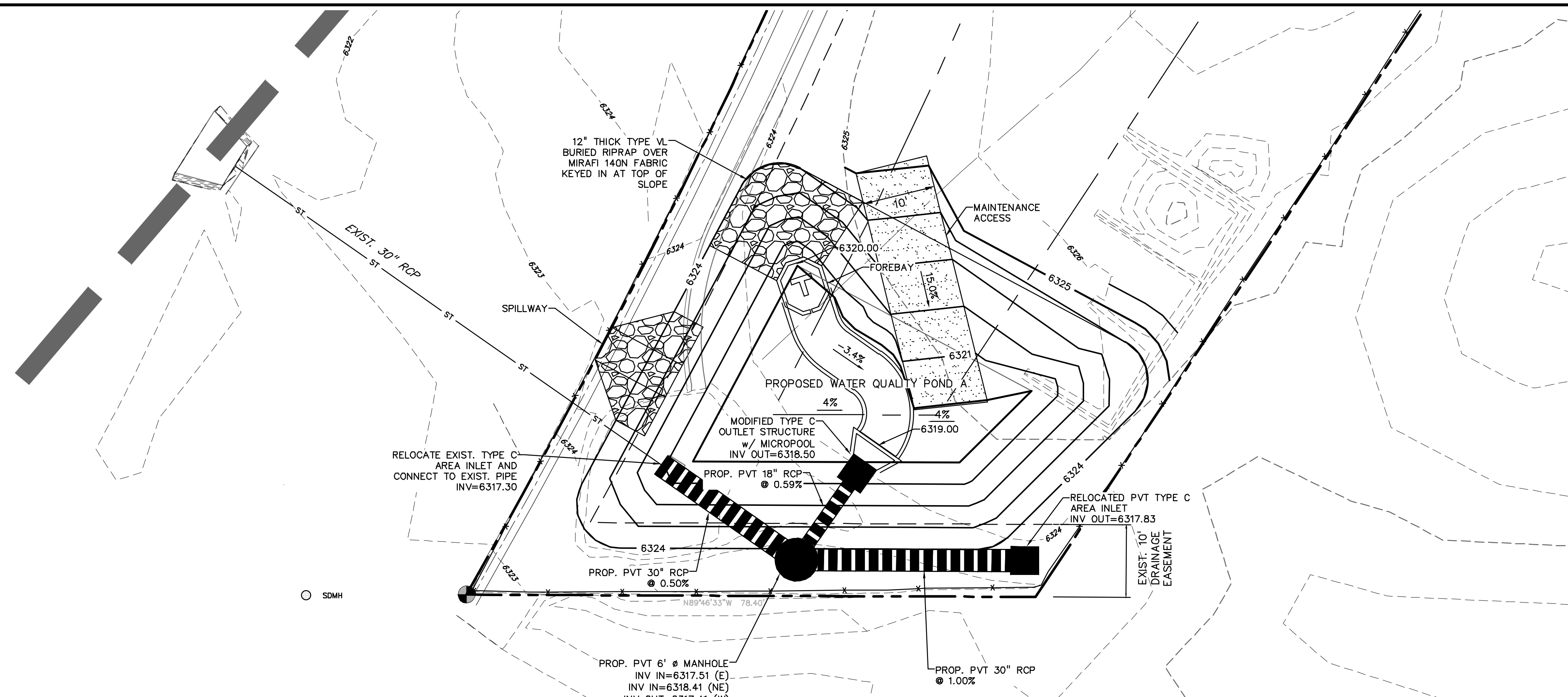
DRAWING SCALE:  
HORIZONTAL: N/A  
VERTICAL: N/A

**PERMANENT  
BMP  
COVER SHEET**

PROJECT NO. 21813-00CSCV  
DRAWING NO.

**CV**

H:\21813-00CSCV\DWG\21813-00PDCV.dwg, 2/13/2024, 8:15:30 AM



PREPARED BY:

DREXEL, BARRELL & CO.  
Engineers • Surveyors  
3 SOUTH 7TH STREET  
COLORADO SPGS, COLORADO 80905  
CONTACT: TIM D. McCONNELL, P.E.  
(719)260-0887  
BOULDER • COLORADO SPRINGS • GREELEY

CLIENT:

BLACK DIAMOND CABLE

7315 COLE VIEW  
COLORADO SPRINGS, CO 80915  
CONTACT: RYAN FOSTER  
(719) 306-4478

SITE DEVELOPMENT PLAN FOR:

# 7315 COLE VIEW

EL PASO COUNTY, COLORADO

ISSUE	DATE
INITIAL ISSUE	10/12/23
LATEST ISSUE	2/13/24
DESIGNED BY:	SBN
DRAWN BY:	SBN
CHECKED BY:	TDM
FILE NAME:	21813-00PD

PREPARED UNDER MY DIRECT SUPERVISION FOR AND ON BEHALF OF DREXEL, BARRELL & CO.

DRAWING SCALE:  
HORIZONTAL: 1"=10'  
VERTICAL: N/A

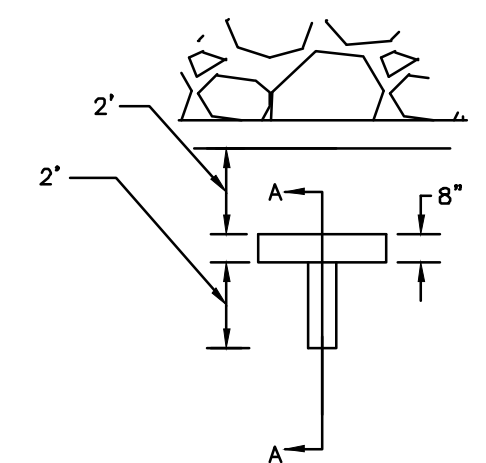
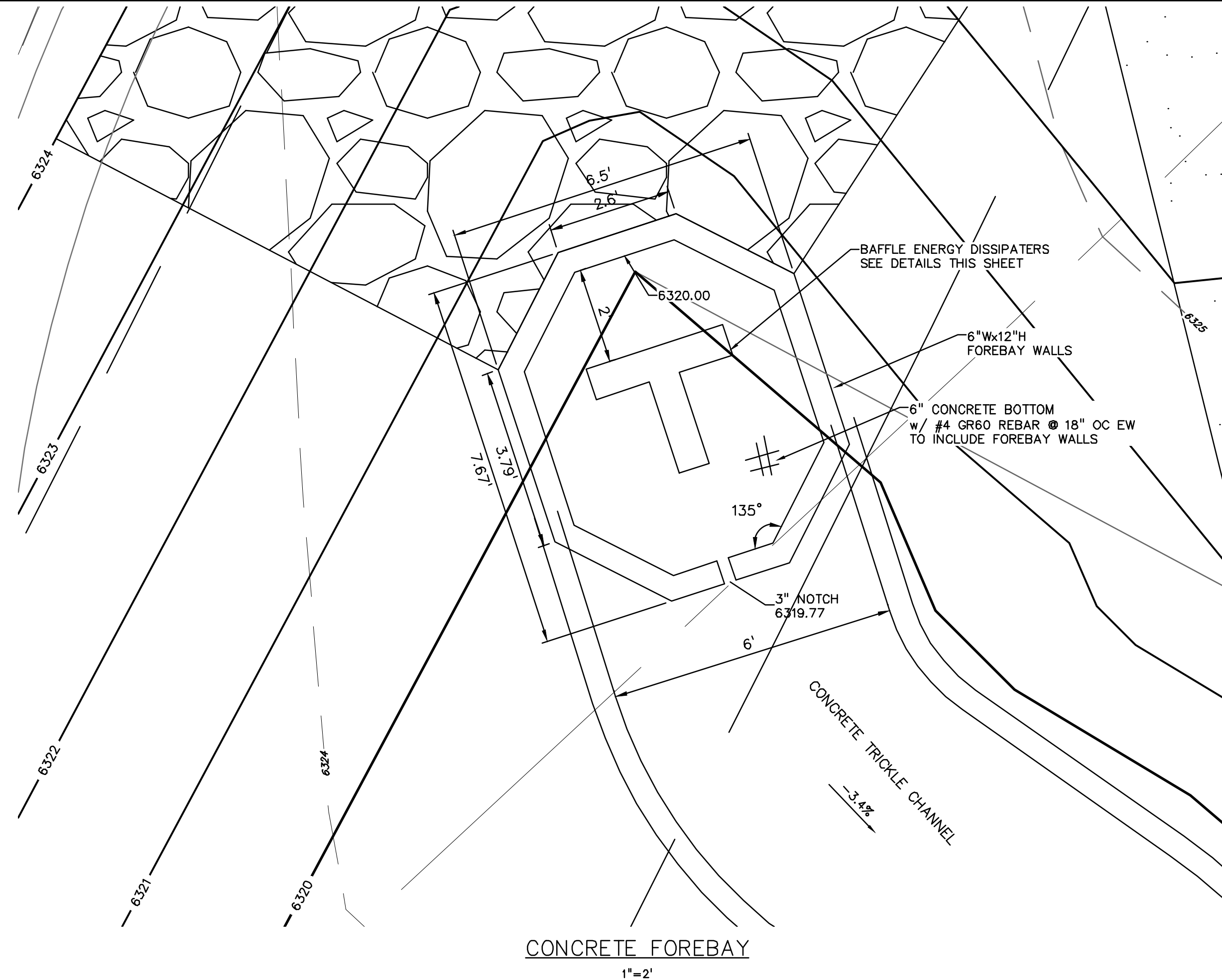
DETENTION POND DETAILS

PROJECT NO. 21813-00CSCV  
DRAWING NO.

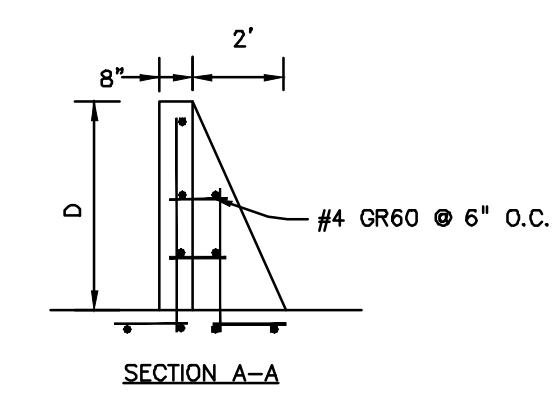
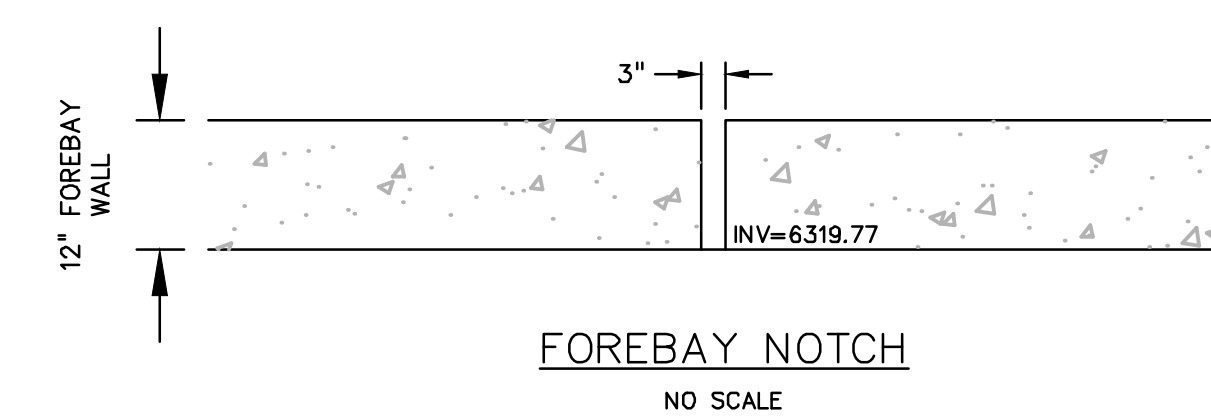
# PD

SHEET: 2 OF 4

**811** Know what's below.  
Call before you dig.  
CALL 3-BUSINESS DAYS IN ADVANCE BEFORE YOU DIG, GRADE, OR EXCAVATE FOR THE MARKING OF UNDERGROUND MEMBER UTILITIES.



FOREBAY BAFFLE ENERGY DISSIPATORS  
NO SCALE



PREPARED BY:



DREXEL, BARRELL & CO.  
Engineers & Surveyors  
3 SOUTH 7TH STREET  
COLORADO SPGS, COLORADO 80905  
CONTACT: TIM D. McCONNELL, P.E.  
(719)260-0887  
BOULDER • COLORADO SPRINGS • GREELEY

CLIENT:

BLACK DIAMOND CABLE  
7315 COLE VIEW  
COLORADO SPRINGS, CO 80915  
CONTACT: RYAN FOSTER  
(719) 306-4478

SITE DEVELOPMENT PLAN FOR:  
**7315 COLE VIEW**  
EL PASO COUNTY, COLORADO

ISSUE	DATE
INITIAL ISSUE	10/12/23
LATEST ISSUE	2/13/24
DESIGNED BY:	SBN
DRAWN BY:	SBN
CHECKED BY:	TDM
FILE NAME:	21813-00FB



PREPARED UNDER MY DIRECT SUPERVISION FOR AND ON BEHALF OF DREXEL, BARRELL & CO.

DRAWING SCALE:  
HORIZONTAL: 1"=10'  
VERTICAL: N/A

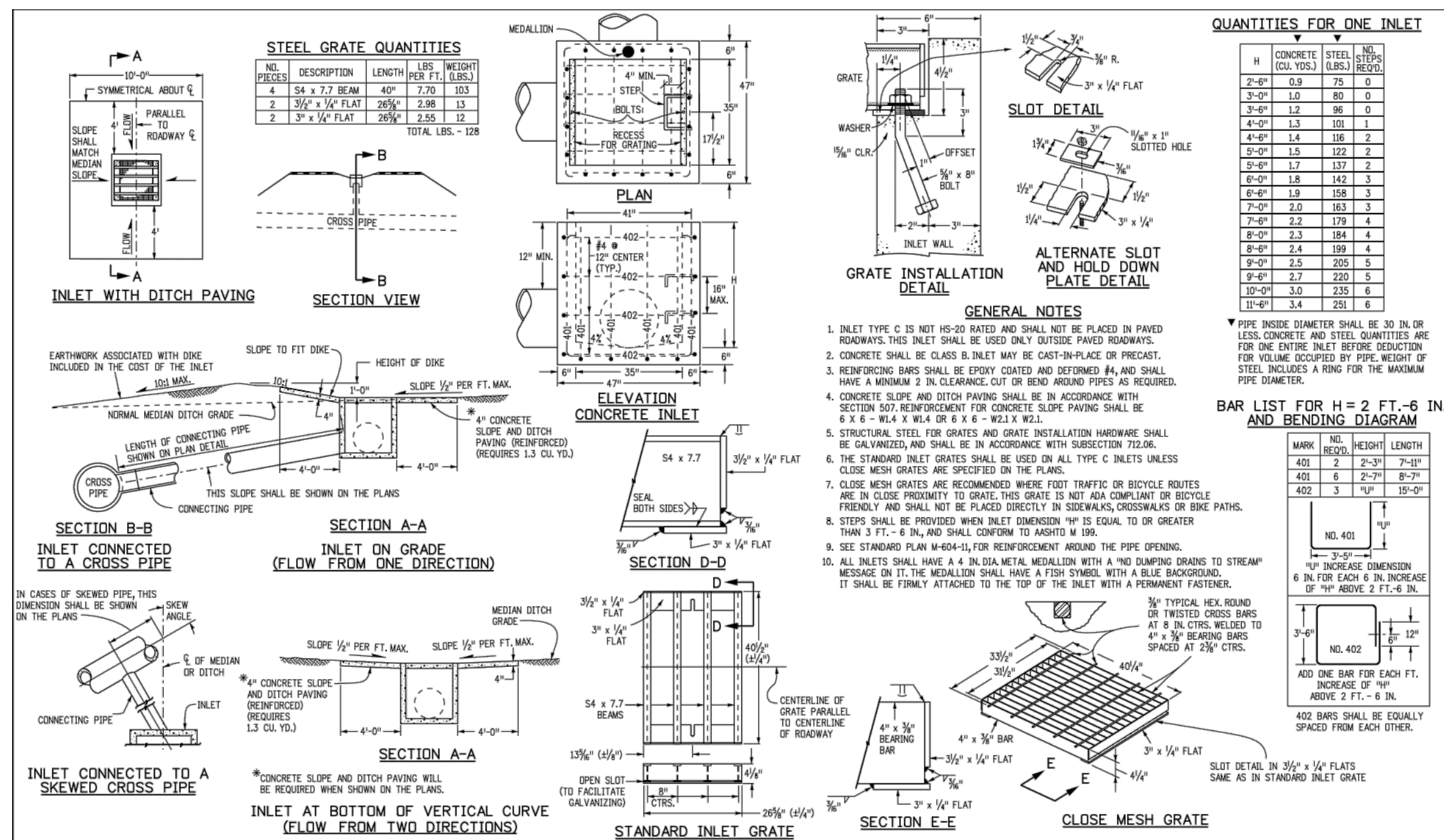
CONCRETE FOREBAY DETAILS

PROJECT NO. 21813-00CSCV  
DRAWING NO.

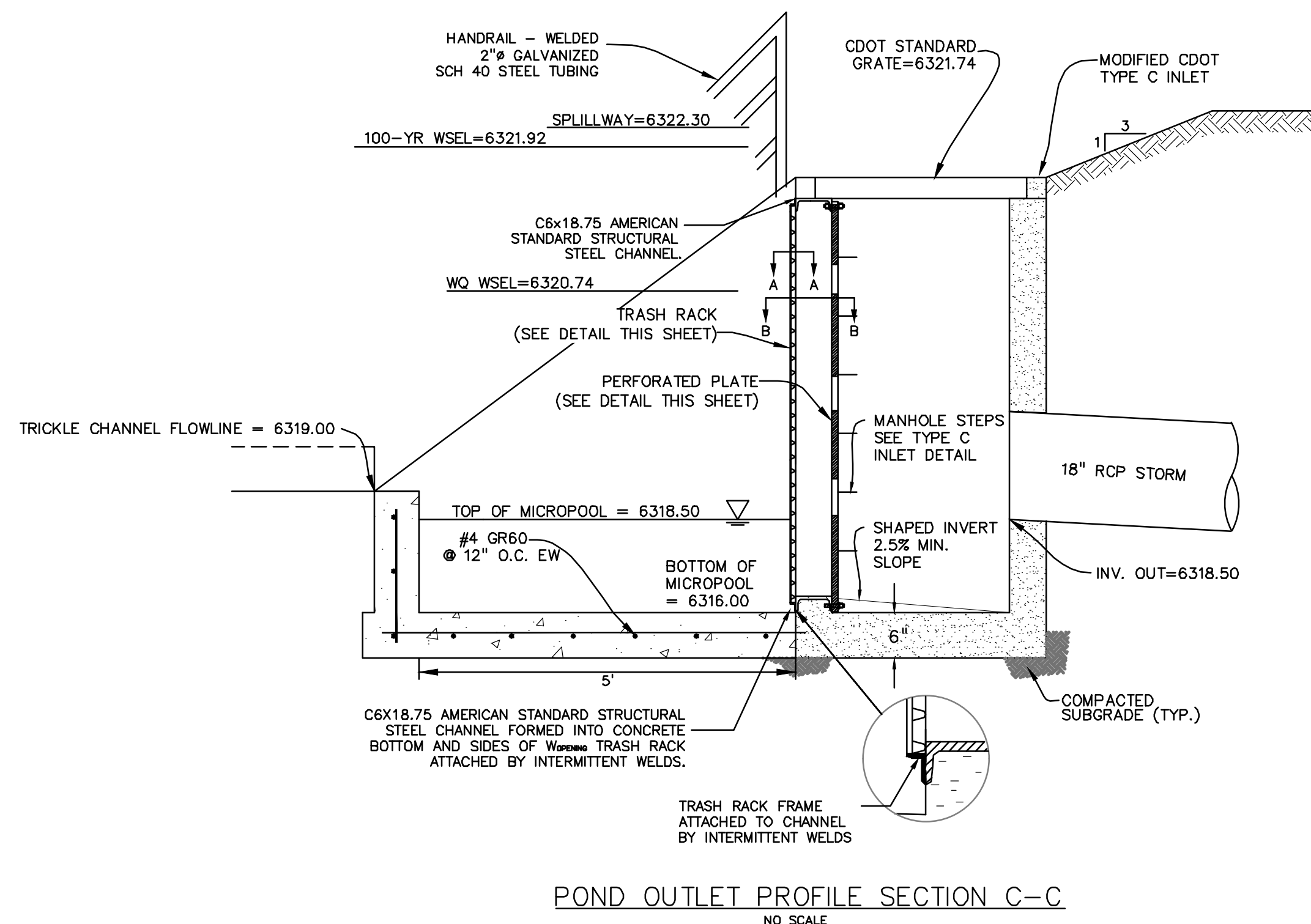
**FB**



H:\21813-00CSCV\DWG\21813-00FB.dwg 2/13/24 14:51:54



H	CONCRETE COL. YDS.	NO. STEEL BESS.	NO. STEEL BESS. (REQD.)
2'-0"	0.9	75	0
2'-2"	1.0	83	1
2'-4"	1.2	96	0
2'-6"	1.3	108	1
2'-8"	1.4	120	2
2'-10"	1.5	132	2
2'-12"	1.7	144	3
2'-14"	1.8	156	3
2'-16"	2.0	168	3
2'-18"	2.2	179	4
2'-20"	2.3	184	4
2'-22"	2.4	189	4
2'-24"	2.5	195	5
2'-26"	2.7	202	5
2'-28"	2.9	210	6
2'-30"	3.1	219	6
2'-32"	3.4	228	6



PREPARED BY:  
  
 DREXEL, BARRELL & CO.  
 Engineers • Surveyors  
 3 SOUTH 7TH STREET  
 COLORADO SPRGS, COLORADO 80905  
 CONTACT: TIM D. MCCONNELL, P.E.  
 (719)260-0887  
 BOULDER • COLORADO SPRINGS • GREELEY

CLIENT:  
 BLACK DIAMOND CABLE  
 7315 COLE VIEW  
 COLORADO SPRINGS, CO 80915  
 CONTACT: RYAN FOSTER  
 (719) 306-4478

SITE DEVELOPMENT PLAN FOR:  
**7315 COLE VIEW**  
 EL PASO COUNTY, COLORADO

ISSUE	DATE
INITIAL ISSUE	10/12/23
LATEST ISSUE	2/13/24

DESIGNED BY: SBN  
 DRAWN BY: SBN  
 CHECKED BY: TDM  
 FILE NAME: 21813-00OUT

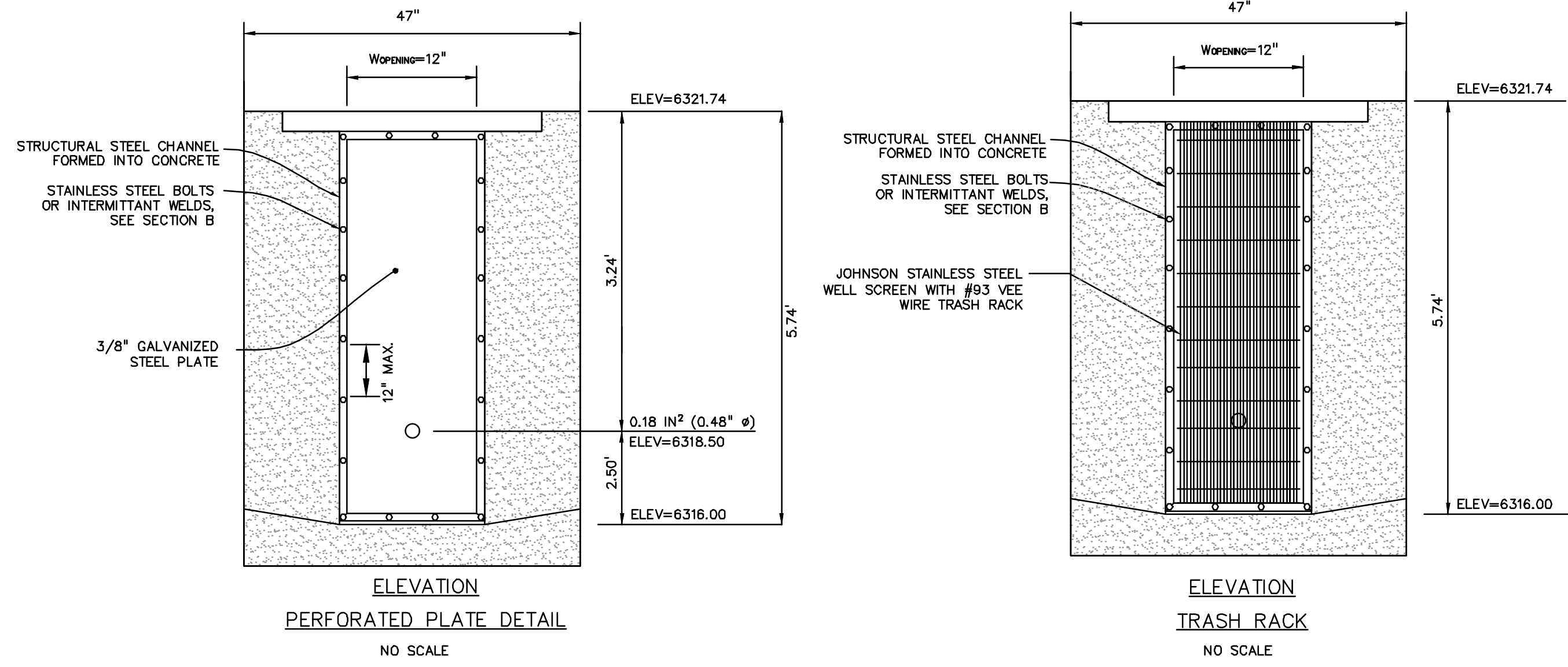


PREPARED UNDER MY DIRECT SUPERVISION FOR AND ON BEHALF OF DREXEL, BARRELL & CO.  
 DRAWING SCALE:  
 HORIZONTAL: N/A  
 VERTICAL: N/A

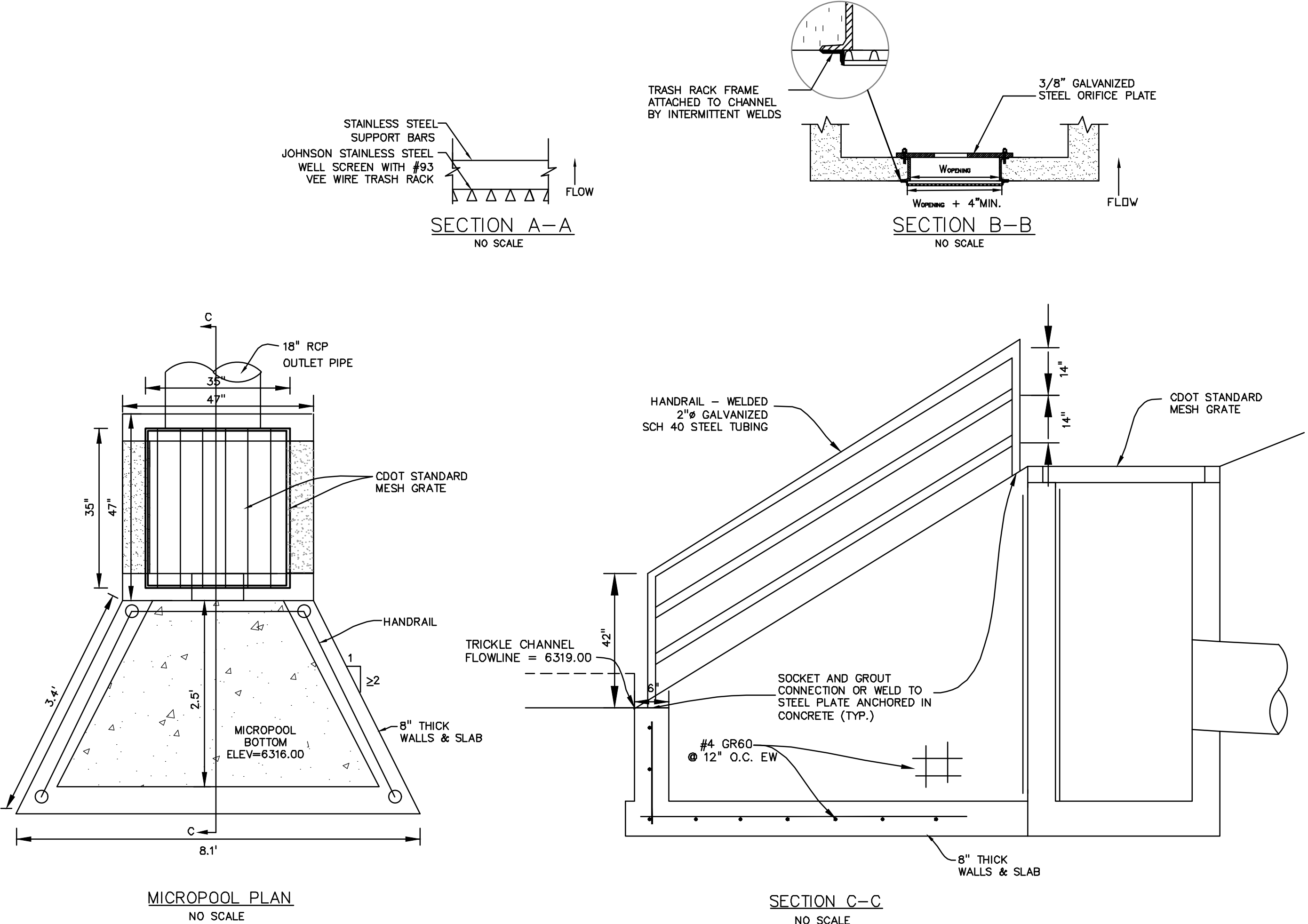
POND A OUTLET STRUCTURE DETAILS

PROJECT NO. 21813-00CSCV  
 DRAWING NO.

**OUT**



- PERFORATED PLATE NOTES:
- PROVIDE GASKET MATERIAL OR GROUT BETWEEN THE ORIFICE PLATE AND CONCRETE.
  - BOLT PLATE TO CONCRETE @ 12" MAX. ON CENTER. ORIFICE PLATE IS TO BE REMOVABLE.
  - ALL STEEL SURFACES ARE TO BE COATED WITH ZRC COLD GALVANIZING COMPOUND.
- WOCV TRASH RACKS:
- TRASH RACKS SHALL BE STAINLESS STEEL OR ALUMINUM AND SHALL BE ATTACHED BY INTERMITTENT WELDS ALONG THE EDGE OF THE MOUNTING FRAME.
- GENERAL NOTES:
- ALL EXTERIOR STEEL SHALL BE EITHER STAINLESS OR HOT DIPPED GALVANIZED



811 Know what's below.  
 Call before you dig.  
 CALL 3-BUSINESS DAYS IN ADVANCE BEFORE YOU DIG, GRADE, OR EXCAVATE FOR THE MARKING OF UNDERGROUND MEMBER UTILITIES.