

# CHERRY CREEK CROSSING, FILING NO. 1 LOT 111

## OVERLOT GRADING & EROSION CONTROL PLAN

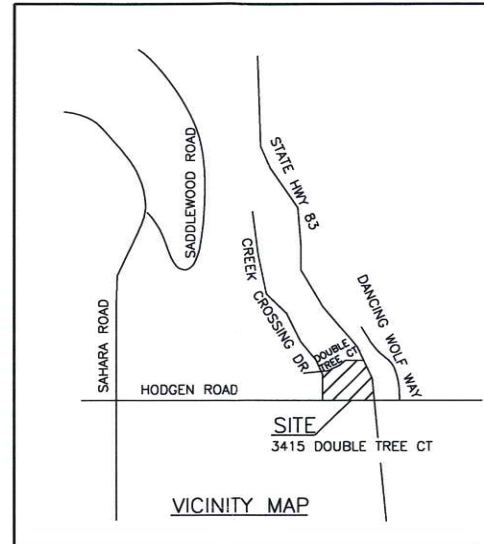
### EL PASO COUNTY, COLORADO

#### GENERAL NOTES

- ALL NEW CONSTRUCTION TO CONFORM TO THE SPECIFICATIONS OF THE EL PASO COUNTY DEPARTMENT OF PUBLIC SERVICES. ANY ASPHALT REMOVED IS TO BE REPLACED TO MEET THE SPECIFICATIONS OF THE EL PASO COUNTY DEPARTMENT OF PUBLIC SERVICES.
- A PRE-CONSTRUCTION MEETING SHALL BE HELD WITH THE EL PASO COUNTY DEPARTMENT OF DEVELOPMENT SERVICES PRIOR TO ANY CONSTRUCTION.
- APPROVED PLANS, EL PASO COUNTY ENGINEERING CRITERIA MANUAL, ETC. IS REQUIRED TO BE ON-SITE AT ALL TIMES.
- ALL NECESSARY PERMITS, SUCH AS WORKING IN THE RIGHT-OF-WAY, SWMP, FUGITIVE DUST, ESQCP, ACCESS, C.O.E. 404, ETC. SHALL BE OBTAINED PRIOR TO CONSTRUCTION.
- PROFILE DESIGN LINES AND HORIZONTAL STATIONING ARE BASED ON CENTERLINE, AS SHOWN, UNLESS OTHERWISE NOTED.
- FOR CENTERLINE DESIGN, CURB AND GUTTER, ROAD SIDE DITCH LOCATIONS AND SIDEWALK SEE INDIVIDUAL PLAN AND PROFILE SHEETS. PAVEMENT DESIGN TO BE BASED ON RESISTANCE VALUE 'R' DERIVED FROM HVEEM TESTS AND ARE TO BE APPROVED BY THE EL PASO COUNTY DEPARTMENT OF DEVELOPMENT SERVICES PRIOR TO WORK ABOVE SUBGRADE.
- ALL VERTICAL DESIGN AND TOP OF CURB ARE BASED ON THE DESIGN POINT AS SHOWN IN THE TYPICAL CROSS SECTION.
- AT INTERSECTIONS, ALL RADII TO EDGE OF ASPHALT SHALL BE 20-FOOT UNLESS OTHERWISE NOTED.
- THE LOCATIONS OF THE EXISTING UTILITIES HAVE BEEN SHOWN ACCORDING TO THE BEST AVAILABLE INFORMATION. THE CONTRACTOR IS RESPONSIBLE FOR FIELD LOCATION AND VERIFICATION OF EXISTING UTILITIES PRIOR TO BEGINNING WORK. IF IT APPEARS THAT THERE COULD BE A CONFLICT WITH ANY UTILITIES, WHETHER INDICATED ON THE PLANS OR NOT, THE CONTRACTOR IS TO NOTIFY THE ENGINEER AND OWNER IMMEDIATELY. THE CONTRACTOR IS RESPONSIBLE FOR THE PROTECTION AND REPAIR (IF NECESSARY) OF ALL UTILITIES.
- WHERE APPROPRIATE, NEATLY SAW CUT ALL EXISTING CONCRETE AND ASPHALT. REPAIR/REPLACE ALL DISTURBED EXISTING ITEMS WITH LIKE MATERIALS AND THICKNESSES. MINIMUM ASPHALT THICKNESS SHALL BE 4-INCHES.
- ALL DISTURBED AREAS SHALL BE REVEGETATED WITH NATIVE GRASSES WITHIN 21 DAYS OF EXCAVATION PER EROSION CONTROL PLAN.
- THE PREPARED EROSION/SEDIMENT CONTROL PLAN IS TO BE CONSIDERED A PART OF THESE PLANS AND ITS REQUIREMENTS ADHERED TO DURING THE CONSTRUCTION OF THIS PROJECT.
- ALL STORM AND SANITARY SEWER PIPE LENGTHS AND SLOPES ARE FIGURED FROM CENTER OF MANHOLE OR BEND. CULVERT PIPE LENGTHS ARE DETERMINED FROM THE END OF THE FLARED END SECTIONS. PIPE LENGTHS ARE GIVEN AS A HORIZONTAL LENGTH.
- ALL STORM SEWER BEDDING TO BE PER CDOT STANDARDS.
- ALL STORM SEWER PIPE CLASS AND TYPE IS CALLED OUT ON THE PLAN AND PROFILE SHEETS.
- CONCRETE PIPE JOINT FASTENERS ARE REQUIRED ON THE FIRST TWO PIPE JOINTS FROM THE DOWNSTREAM FLARED END SECTION OF A DRAINAGE PIPE.
- ALL WYES AND BENDS USED IN CONSTRUCTION OF STORM SEWER FACILITIES SHALL BE FACTORY FABRICATED, UNLESS APPROVED BY THE EL PASO COUNTY DEPARTMENT OF DEVELOPMENT SERVICES.
- CONSTRUCTION AND MATERIALS USED IN ALL STORM AND SANITARY SEWER MANHOLES SHALL BE PER SPECIFICATIONS. STORM SEWER RADIAL DEFLECTIONS TO BE GROUTED OR INSTALLED PER MANUFACTURERS RECOMMENDATIONS.
- STORM SEWER MANHOLE SIZES AS FOLLOWS UNLESS OTHERWISE SHOWN:  
 18" THRU 36" USE 48" I.D. MANHOLE  
 42" THRU 48" USE 60" I.D. MANHOLE  
 54" THRU 60" USE 72" I.D. MANHOLE  
 NOTE: MANHOLE SIZES TABULATED HERE SHALL BE INCREASED, IF NECESSARY, TO ACCOMMODATE INCOMING LATERALS.
- DESIGN SPEED HODGEN ROAD - 40MPH.
- ALL EARTHWORK, MATERIALS AND INSTALLATION ASSOCIATED WITH THE EXCAVATION, EMBANKMENT AND ASPHALT PAVING TO BE CARRIED OUT IN THIS PROJECT ARE TO BE COMPLETED IN CONFORMANCE WITH THE EL PASO COUNTY ECM AND THE PIKES PEAK ASPHALT PAVING SPECIFICATIONS.

**BENCHMARK:** BRASS CAP IN CONCRETE NEAR THE SE COR LOT 111 - NGS MONUMENT \*4BB RESET 1984" ELEV. 7566.57

**BASIS OF BEARING:** THE BEARINGS & DISTANCES SHOWN ON FILING 1, CHERRY CREEK CROSSING



#### STANDARD CONSTRUCTION NOTES

- ALL DRAINAGE AND ROADWAY CONSTRUCTION SHALL MEET THE STANDARDS AND SPECIFICATIONS OF THE EL PASO COUNTY DRAINAGE CRITERIA MANUAL, VOLUMES 1 AND 2, AND THE EL PASO COUNTY ENGINEERING CRITERIA MANUAL.
- CONTRACTOR SHALL BE RESPONSIBLE FOR THE NOTIFICATION AND FIELD NOTIFICATION OF ALL EXISTING UTILITIES, WHETHER SHOWN ON THE PLANS OR NOT, BEFORE BEGINNING CONSTRUCTION. LOCATION OF EXISTING UTILITIES SHALL BE VERIFIED BY THE CONTRACTOR PRIOR TO CONSTRUCTION. CALL 811 TO CONTACT THE UTILITY NOTIFICATION CENTER OF COLORADO (UNCC).
- CONTRACTOR SHALL KEEP A COPY OF THESE APPROVED PLANS, THE GRADING AND EROSION CONTROL PLAN, THE STORMWATER MANAGEMENT PLAN (SWMP), THE SOILS AND GEOTECHNICAL REPORT, AND THE APPROPRIATE DESIGN AND CONSTRUCTION STANDARDS AND SPECIFICATIONS AT THE JOB SITE AT ALL TIMES, INCLUDING THE FOLLOWING:
  - EL PASO COUNTY ENGINEERING CRITERIA MANUAL (ECM)
  - COLORADO DEPARTMENT OF TRANSPORTATION (CDOT) STANDARD SPECIFICATIONS FOR ROAD AND BRIDGE CONSTRUCTION
  - CDOT M & S STANDARDS
- NOTWITHSTANDING ANYTHING DEPICTED IN THESE PLANS IN WORDS OR GRAPHIC REPRESENTATION, ALL DESIGN AND CONSTRUCTION RELATED TO ROADS, STORM DRAINAGE AND EROSION CONTROL SHALL CONFORM TO THE STANDARDS AND REQUIREMENTS OF THE MOST RECENT VERSION OF THE RELEVANT ADOPTED EL PASO COUNTY STANDARDS, INCLUDING THE LAND DEVELOPMENT CODE, THE ENGINEERING CRITERIA MANUAL, THE DRAINAGE CRITERIA MANUAL, AND THE DRAINAGE CRITERIA MANUAL VOLUME 2. ANY DEVIATIONS FROM REGULATIONS AND STANDARDS MUST BE REQUESTED, AND APPROVED, IN WRITING. ANY MODIFICATIONS NECESSARY TO MEET CRITERIA AFTER-THE-FACT WILL BE ENTIRELY THE DEVELOPER'S RESPONSIBILITY TO RECTIFY.
- IT IS THE DESIGN ENGINEER'S RESPONSIBILITY TO ACCURATELY SHOW EXISTING CONDITIONS, BOTH ONSITE AND OFFSITE, ON THE CONSTRUCTION PLANS. ANY MODIFICATIONS NECESSARY DUE TO CONFLICTS, OMISSIONS, OR CHANGED CONDITIONS WILL BE ENTIRELY THE DEVELOPER'S RESPONSIBILITY TO RECTIFY.
- CONTRACTOR SHALL SCHEDULE A PRE-CONSTRUCTION MEETING WITH EL PASO COUNTY PUBLIC SERVICES DEPARTMENT - INSPECTIONS, PRIOR TO STARTING CONSTRUCTION.
- IT IS THE CONTRACTOR'S RESPONSIBILITY TO UNDERSTAND THE REQUIREMENTS OF ALL JURISDICTIONAL AGENCIES AND TO OBTAIN ALL REQUIRED PERMITS, INCLUDING BUT NOT LIMITED TO EL PASO COUNTY EROSION AND STORMWATER QUALITY CONTROL PERMIT (ESQCP), REGIONAL BUILDING FLOODPLAIN DEVELOPMENT PERMIT, U.S. ARMY CORPS OF ENGINEERS-ISSUED 401 AND/OR 404 PERMITS, AND COUNTY AND STATE FUGITIVE DUST PERMITS.
- CONTRACTOR SHALL NOT DEVIATE FROM THE PLANS WITHOUT FIRST OBTAINING WRITTEN APPROVAL FROM THE DESIGN ENGINEER AND DSD. CONTRACTOR SHALL NOTIFY THE DESIGN ENGINEER OR THE AUTHORITY HAVING JURISDICTION IMMEDIATELY UPON DISCOVERY OF ANY ERRORS OR INCONSISTENCIES.
- ALL STORM DRAIN PIPE SHALL BE CLASS III RCP UNLESS OTHERWISE NOTED AND APPROVED BY DSD.
- CONTRACTOR SHALL COORDINATE GEOTECHNICAL TESTING PER ECM STANDARDS. PAVEMENT DESIGN SHALL BE APPROVED BY EL PASO COUNTY DSD PRIOR TO PLACEMENT OF CURB AND GUTTER AND PAVEMENT.
- ALL CONSTRUCTION TRAFFIC MUST ENTER/EXIT THE SITE AT APPROVED CONSTRUCTION ACCESS POINTS.
- SIGHT VISIBILITY TRIANGLES AS IDENTIFIED IN THE PLANS SHALL BE PROVIDED AT ALL INTERSECTIONS. OBSTRUCTIONS GREATER THAN 18 INCHES ABOVE FLOWLINE ARE NOT ALLOWED WITHIN SIGHT TRIANGLES.
- SIGNING AND STRIPING SHALL COMPLY WITH EL PASO COUNTY DOT AND MUTCD CRITERIA. [IF APPLICABLE, ADDITIONAL SIGNING AND STRIPING NOTES WILL BE PROVIDED.]
- CONTRACTOR SHALL OBTAIN ANY PERMITS REQUIRED BY EL PASO COUNTY PUBLIC SERVICES DEPARTMENT, INCLUDING WORK WITHIN THE RIGHT-OF-WAY AND SPECIAL TRANSPORT PERMITS.

THE LIMITS OF CONSTRUCTION SHALL REMAIN WITHIN THE PROPERTY LINE UNLESS OTHERWISE NOTED. THE OWNER/DEVELOPER SHALL OBTAIN WRITTEN PERMISSION AND EASEMENTS, WHERE REQUIRED, FROM ADJOINING PROPERTY OWNER(S) PRIOR TO ANY OFF-SITE DISTURBANCE, GRADING, OR CONSTRUCTION.

**OWNER'S STATEMENT**  
THE OWNER WILL COMPLY WITH THE REQUIREMENTS OF THE GRADING AND EROSION CONTROL PLAN.

BY: *Wayne M. Tward on behalf of*  
 TITLE: *Owner* DATE: *8/17/18*  
 ADDRESS: COLORADO SPRINGS 382 LTD. PARTNERSHIP  
 6070 N. CAMINO ALMONTE  
 TUCSON, AZ 85718-3703

**ENGINEER'S STATEMENT**  
THIS GRADING AND EROSION CONTROL PLAN WAS PREPARED UNDER MY DIRECTION AND SUPERVISION AND IS CORRECT TO THE BEST OF MY KNOWLEDGE AND BELIEF. THIS PLAN HAS BEEN PREPARED ACCORDING TO THE CRITERIA ESTABLISHED BY THE COUNTY FOR GRADING AND EROSION CONTROL PLANS. I ACCEPT RESPONSIBILITY FOR ANY LIABILITY CAUSED BY ANY NEGLIGENT ACTS, ERRORS OR OMISSIONS ON MY PART IN PREPARING THIS PLAN.

*Richard N. Wray*  
 RICHARD N. WRAY P.E. 19310  
 FOR AND ON BEHALF OF KIOWA ENGINEERING CORPORATION  
 DATE: *8/17/18*

**EL PASO COUNTY**  
COUNTY PLAN REVIEW IS PROVIDED ONLY FOR GENERAL CONFORMANCE WITH COUNTY DESIGN CRITERIA. THIS COUNTY IS NOT RESPONSIBLE FOR THE ACCURACY AND ADEQUACY OF THE DESIGN, DIMENSIONS, AND/OR ELEVATIONS WHICH SHALL BE COVERED AT THE JOB SITE. THE COUNTY THROUGH THE APPROVAL OF THIS DOCUMENT ASSUMES NO RESPONSIBILITY FOR COMPLETENESS AND/OR ACCURACY OF THIS DOCUMENT.

FILED IN ACCORDANCE WITH THE REQUIREMENTS OF THE EL PASO COUNTY LAND DEVELOPMENT CODE, DRAINAGE CRITERIA AND ENGINEERING CRITERIA MANUAL, AS AMENDED.

IN ACCORDANCE WITH ECM SECTION 1.12, THESE CONSTRUCTION DOCUMENTS WILL BE VALID FOR CONSTRUCTION FOR A PERIOD OF 2 YEARS FROM THE DATE SIGNED BY THE EL PASO COUNTY ENGINEER. IF CONSTRUCTION HAS NOT STARTED WITHIN THOSE 2 YEARS, THE PLANS WILL NEED TO BE RESUBMITTED FOR APPROVAL, INCLUDING PAYMENT OF REVIEW FEES AT THE PLANNING AND COMMUNITY DEVELOPMENT DIRECTOR'S DISCRETION.

JENNIFER IRVINE P.E.  
 COUNTY ENGINEER/ECM ADMINISTRATOR  
 DATE: *01/17/2019 10:59:36 AM*

PCD PROJECT NO. CDR-17-003

#### ABBREVIATIONS

ASSY = ASSEMBLY	MH = MANHOLE
BNDY = BOUNDARY	MIN. = MINIMUM
B.O.P. = BOTTOM OF PIPE	NTS = NOT TO SCALE
CL = CENTERLINE	O.D. = OUTSIDE DIAMETER
CRA = CONCRETE REVERSE ANCHOR	PC = POINT OF HORIZONTAL CURVATURE
CTRB = CONCRETE THRUST BLOCK	PCHC = POINT OF CURVATURE ON HORIZ. CURVE
CR = POINT OF CURB RETURN	PP = PROPOSED
DIP = DUCTILE IRON PIPE	PT = POINT OF HORIZONTAL TANGENCY
EL = ELEVATION	PTH = POINT OF TANGENCY ON HORIZ. CURVE
ESMT = EASEMENT	PVC = POLY VINYL CHLORIDE PIPE
EX. = EXISTING	PVT = POINT OF VERTICAL CURVATURE
FC = FACE OF CURB	PVT = POINT OF VERTICAL INTERSECTION
FES = FLARED END SECTION	RCB = REINFORCED CONCRETE BOX
FLG = FLANGE	RCP = REINFORCED CONCRETE PIPE
FL = FLOWLINE	ROW = RIGHT OF WAY
GB = GRADE BREAK	RT = RIGHT
HP = HIGH POINT	SHT = SHEET
HORIZ = HORIZONTAL	SS = SANITARY SEWER
HYD = HYDRANT	STA. = STATION
I.D. = INSIDE DIAMETER	STD. = STANDARD
LT = LEFT	T.O.P. = TOP OF PIPE
LF = LINEAR FEET	TYP. = TYPICAL
LP = LOW POINT	VC = VERTICAL CURVE
MAX. = MAXIMUM	VERT. = VERTICAL

PREPARED BY:

**Kiowa**  
Engineering Corporation

1604 South 21st Street  
 Colorado Springs, Colorado 80904  
 (719) 530-7342

DEVELOPER:

NATHAN MILLER  
 COLORADO SPRINGS 382 LTD. PARTNERSHIP  
 6070 CAMINO ALMONTE  
 TUCSON, AZ 85718

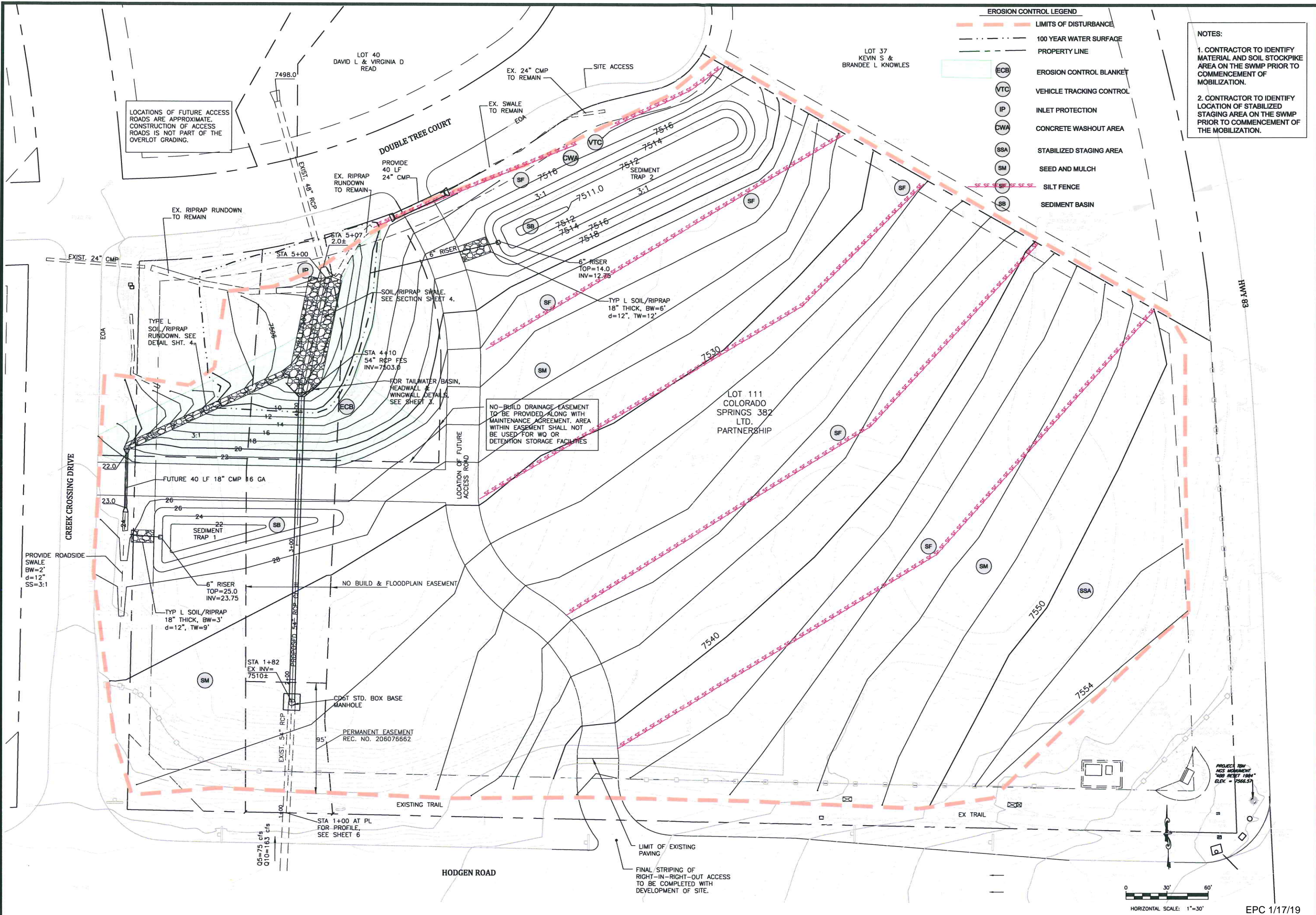
#### INDEX OF SHEETS

- COVER SHEET
- OVERLOT GRADING & EROSION CONTROL PLAN
- CULVERT EXTENSION DETAILS
- EROSION CONTROL DETAILS
- EROSION CONTROL DETAILS
- EROSION CONTROL DETAILS
- EROSION CONTROL DETAILS

#### "A.G.A./A.P.W.A. STANDARD UTILITY MARKING COLOR CODE"

NATURAL GAS	YELLOW
ELECTRIC	RED
WATER	BLUE
WASTEWATER	GREEN

CALL BEFORE YOU DIG...  
 48 HOURS BEFORE YOU DIG, CALL 811 TO LOCATE UTILITIES FOR MARKING GAS, ELECTRIC, WATER AND WASTEWATER.  
 1-800-922-1987



**EROSION CONTROL LEGEND**

- LIMITS OF DISTURBANCE
- 100 YEAR WATER SURFACE
- PROPERTY LINE
- ECB EROSION CONTROL BLANKET
- VTC VEHICLE TRACKING CONTROL
- IP INLET PROTECTION
- CWA CONCRETE WASHOUT AREA
- SSA STABILIZED STAGING AREA
- SM SEED AND MULCH
- SF SILT FENCE
- SB SEDIMENT BASIN

**NOTES:**

1. CONTRACTOR TO IDENTIFY MATERIAL AND SOIL STOCKPIKE AREA ON THE SWMP PRIOR TO COMMENCEMENT OF MOBILIZATION.
2. CONTRACTOR TO IDENTIFY STAGING AREA ON THE SWMP PRIOR TO COMMENCEMENT OF THE MOBILIZATION.

LOCATIONS OF FUTURE ACCESS ROADS ARE APPROXIMATE. CONSTRUCTION OF ACCESS ROADS IS NOT PART OF THE OVERLOT GRADING.

NO-BUILD DRAINAGE EASEMENT TO BE PROVIDED ALONG WITH MAINTENANCE AGREEMENT. AREA WITHIN EASEMENT SHALL NOT BE USED FOR WO OR DETENTION STORAGE FACILITIES

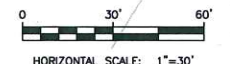
PERMANENT EASEMENT REC. NO. 206075562

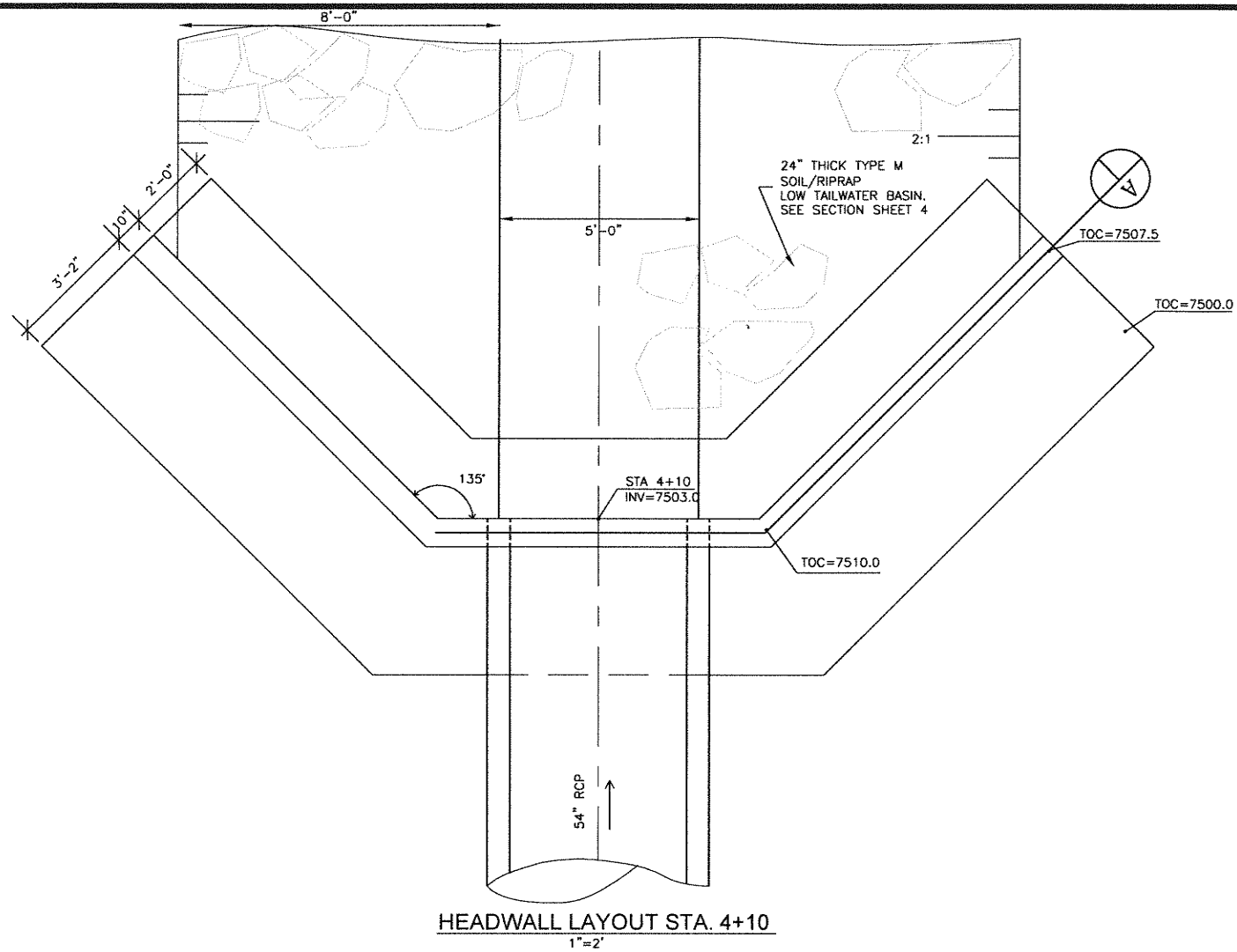
**Kiowa**  
Engineering Corporation  
1604 South 21st Street  
Colorado Springs, Colorado 80904  
(719) 630-7342

**CHERRY CREEK CROSSING, FILING NO. 1 LOT 111 OVERLOT GRADING and EROSION CONTROL PLAN**

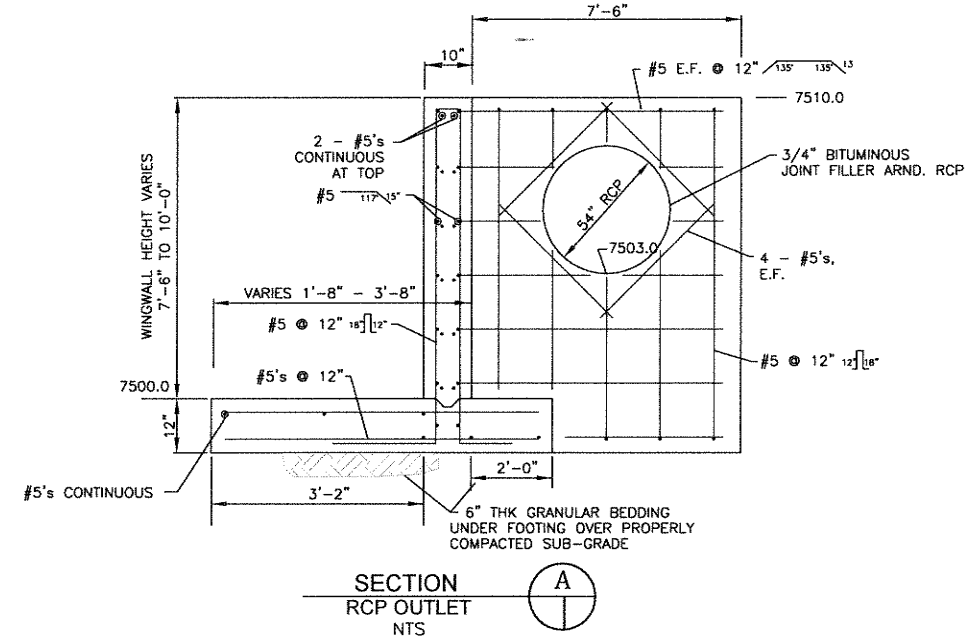
EL PASO COUNTY, COLORADO

Project No.:	14028
Date:	JULY 27, 2018
Design:	RNW
Drawn:	EAK
Check:	RNW
Revisions:	

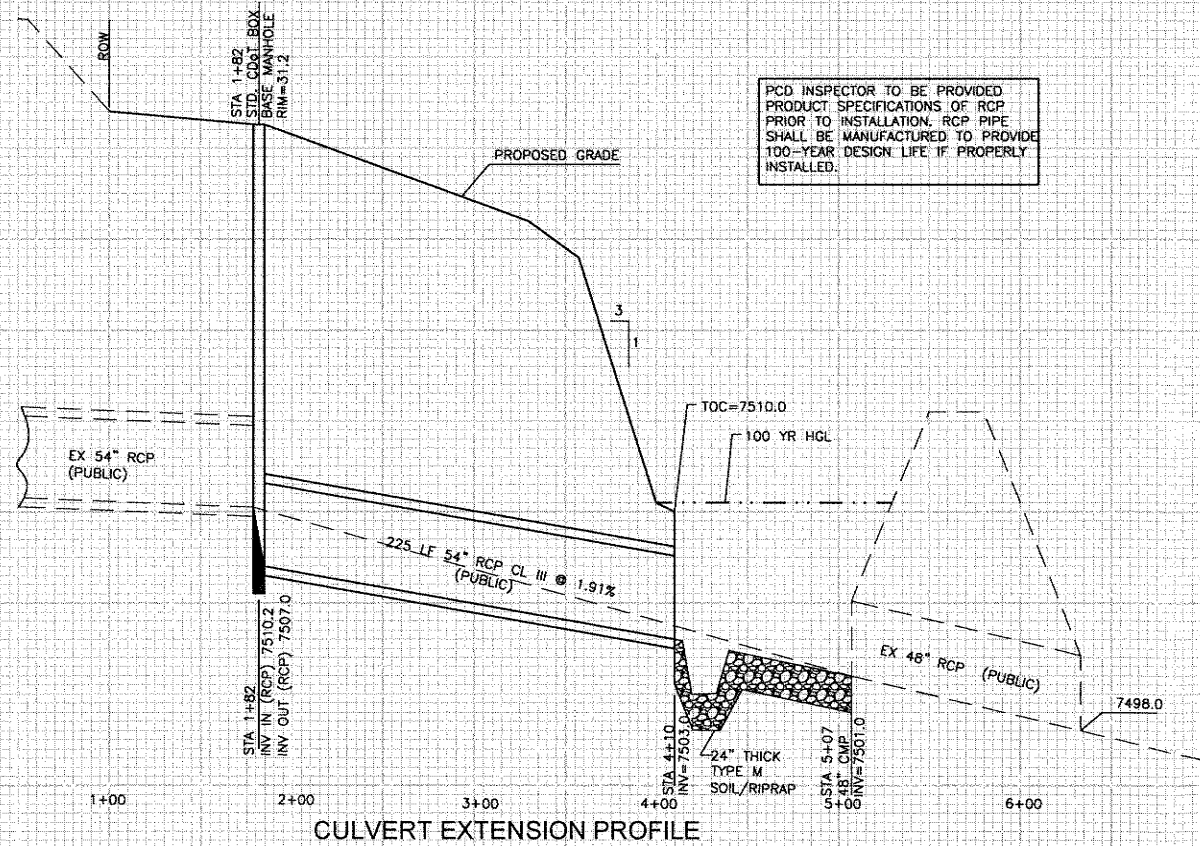




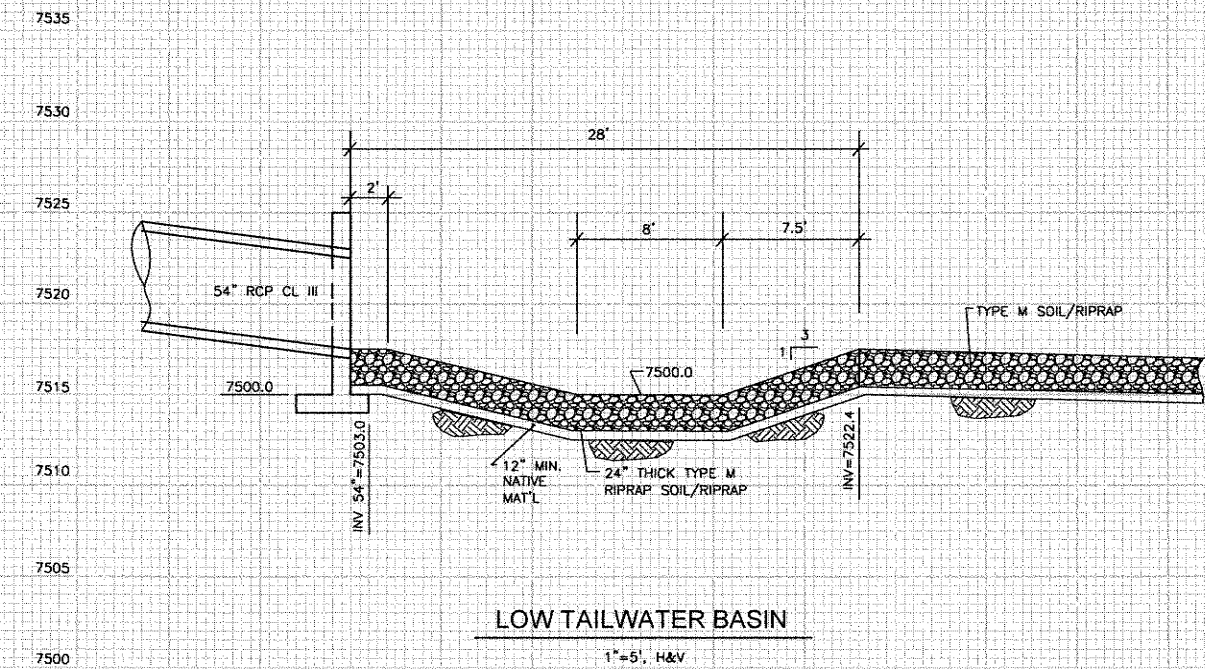
HEADWALL LAYOUT STA. 4+10  
1"=2'



SECTION  
RCP OUTLET  
NTS

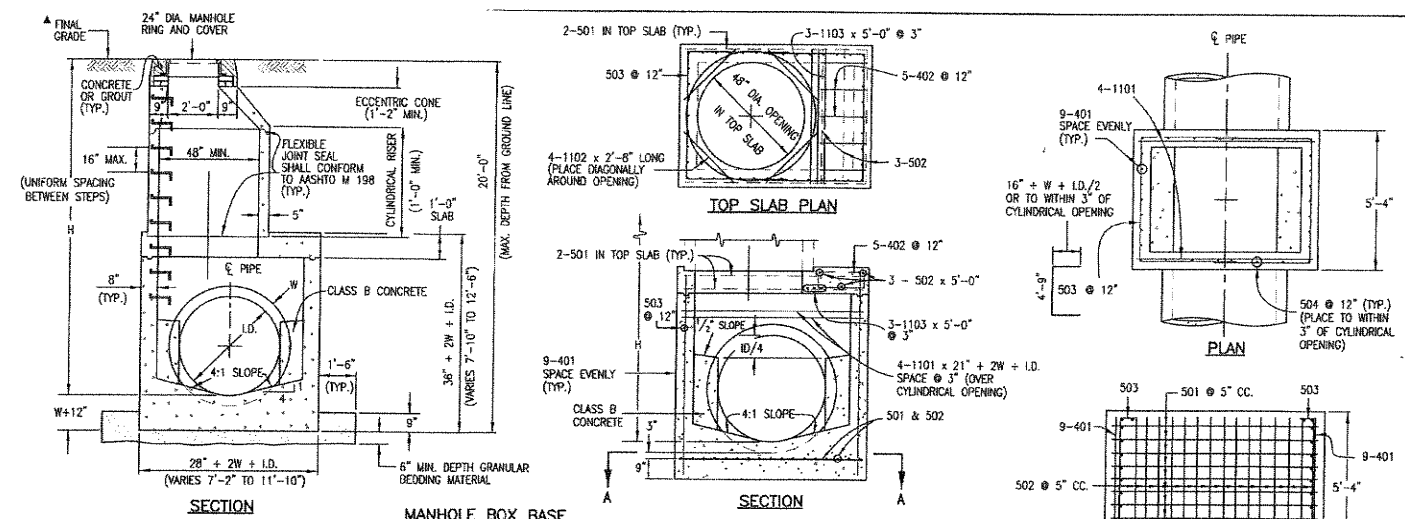


CULVERT EXTENSION PROFILE  
1"=50' H  
1"=5' V



LOW TAILWATER BASIN  
1"=5', H&V

Project No.:	14028
Date:	JULY 27, 2018
Design:	RNW
Drawn:	EAK
Check:	RNW
Revisions:	



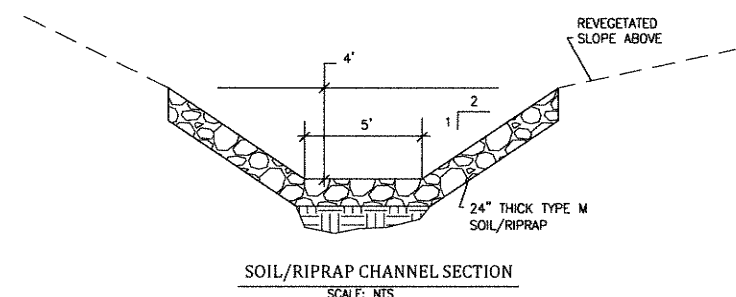
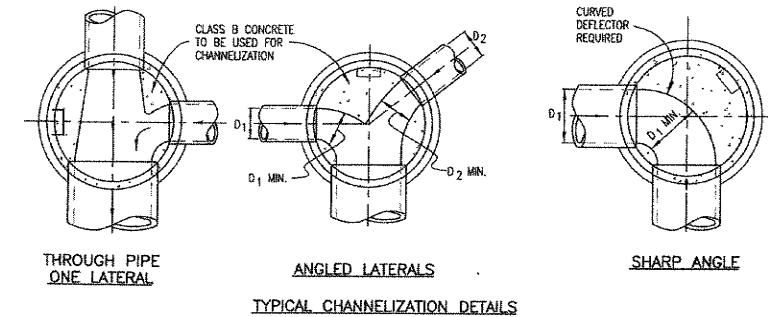
- GENERAL NOTES**
- SINCE ALL PIPE ENTRIES INTO THE BASE ARE VARIABLE, THE DIMENSIONS SHOWN ARE TYPICAL. ACTUAL DIMENSIONS AND QUANTITIES FOR CONCRETE AND REINFORCEMENT SHALL BE AS REQUIRED IN THE WORK.
  - THE PRECAST FLAT TOP MAY BE USED ON ANY MANHOLE. THE ECCENTRIC CONE MAY BE USED WHEN THE MANHOLE "H" HEIGHT IS AT LEAST 8 FT.
  - THE MANHOLE RING FRAME SHALL BE SET IN A BED OF GROUT. THE FRAME SHALL BE SURROUNDED WITH A CEMENT GROUT IN UNPAVED AREA, OR A CONCRETE COLLAR IN PAVED AREA. SEE DETAILS ON SHEETS 2 AND 3.
  - DESIGN OF BOX BASE IS BASED ON STRAIGHT RUNS OF PIPE OR CHANGE IN DIRECTION OF LESS THAN 45°. SPECIAL DESIGN IS REQUIRED FOR 45° OR GREATER.
  - PRECAST MANHOLES AND REINFORCEMENT SHALL CONFORM TO AASHTO M 199 (ASTM C 478).
  - CAST-IN-PLACE MANHOLES SHALL BE CLASS B CONCRETE.
  - STEPS ARE REQUIRED WHEN THE MANHOLE DEPTH EXCEEDS 3 FT.-6 IN. AND SHALL CONFORM TO AASHTO M 199.
  - ALL REINFORCING STEEL SHALL BE GRADE 60 AND EPOXY COATED. VERTICAL STEEL SHALL BE PLACED AT CENTERLINE OF WALL. ALL BARS SHALL HAVE A 2 IN. MINIMUM CLEARANCE.
  - ALL PIPE ENTRIES INTO THE BASE OF MANHOLE SHALL BE CONNECTED BY OPEN CHANNELIZATION ADJUSTED FOR PIPE SIZE, SHAPE, SLOPE, AND DIRECTION OF FLOW. DETAILS SHOWN ARE TYPICAL FOR INSTALLATIONS WITH ALL INVERTS OF SAME RELATIVE ELEVATION. FOR EXCESSIVE ELEVATION DIFFERENCE BETWEEN INVERTS, SPECIAL BASE/CHANNEL DETAILS WILL BE SHOWN ON THE PLANS.
  - FLOW CHANNELS AND INVERTS SHALL BE FORMED BY SHAPING WITH CLASS B CONCRETE OR APPROVED GROUT.
  - STUB-OUTS SHALL EXTEND 2 FT. MINIMUM BEYOND OUTSIDE WALL SURFACE OF MANHOLE AND BE SATISFACTORILY PLUGGED.
  - THE SLOPE OF THE MANHOLE COVER SHALL MATCH THE ROADWAY PROFILE AND CROSS SLOPE.
- A WHEN FINAL GRADE IS PAVEMENT SURFACE, RECESS MANHOLE RING AND COVER 1/4" MIN. TO 1/2" MAX.

**MANHOLE BOX BASE**

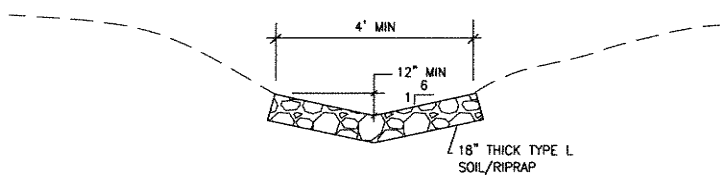
MARK	SIZE	TYPE	WT. #/FT.	BARS	I.D.						FORMULAS
					54"	60"	66"	72"	84"	96"	
401	4	I	0.668	(NO. REQ'D. LENGTH * WEIGHT)	18 97.2	18 104.2	18 111.2	18 118.2	18 125.2	18 132.3	401 BAR LENGTH = 32'+2W+I.D.
402	4	II	0.668	(NO. REQ'D. LENGTH * WEIGHT)	5 18.1	5 20.0	5 22.0	5 23.9	5 25.8	5 27.6	402 BAR LENGTH = I.D. + 2W
501	5	I	1.043	(NO. REQ'D. LENGTH * WEIGHT)	17 131.5	17 141.8	17 152.2	17 162.5	17 173.0	17 183.2	501 BAR LENGTH = 24" + I.D. + 2W
502	5	I	1.043	(NO. REQ'D. LENGTH * WEIGHT)	22 114.7	23 119.9	25 130.4	26 135.6	28 151.2	32 165.9	502 NUMBER BARS REQ'D. = 3 + ((2+I.D.+2W) / 5)
503	5	II	1.043	(NO. REQ'D. LENGTH * WEIGHT)	16 214.2	16 223.9	18 262.8	18 273.8	20 328.5	24 423.3	503 NUMBER BARS REQ'D. = 2 * ((3+I.D.+2W) / 5) + 1 BAR LENGTH = 4'-9" + 2(16+W+I.D./2)
504	5	I	1.043	(NO. REQ'D. LENGTH * WEIGHT)	12 101.2	14 126.6	14 135.1	16 164.1	16 205.5	20 253.8	504 NUMBER BARS REQ'D. = 2 * ((2W+I.D.-4) / 12) + 1 BAR LENGTH = 32" + 2W+I.D.
1101	11	I	5.313	(NO. REQ'D. LENGTH * WEIGHT)	4 152.3	4 164.7	4 177.1	4 189.5	4 214.3	4 236.1	1101 BAR LENGTH = 21" + I.D. + 2W
1102	11	I	5.313	(NO. REQ'D. LENGTH * WEIGHT)	4 56.7	4 56.7	4 56.7	4 56.7	4 56.7	4 56.7	BENDING TYPE I STRAIGHT
1103	11	I	5.313	(NO. REQ'D. LENGTH * WEIGHT)	3 79.7	3 79.7	3 79.7	3 79.7	3 79.7	3 79.7	TYPE II STRAIGHT
REINFORCING STEEL TOTAL *					965.6	1,037.5	1,127.2	1,204.0	1,380.2	1,601.6	
CONCRETE - CUBIC YARDS - TOTAL					6.0	6.6	7.3	8.0	9.5	11.1	

NOTE: QUANTITIES ARE BASED ON SAME SIZE PIPE ENTRANCE TO AND EXIT FROM, BASE AND A 4 FT. MANHOLE ENTRANCE INTO TOP SLAB OF BASE.

QUANTITIES FOR CONCRETE MANHOLE BOX BASE



SOIL/RIPRAP CHANNEL SECTION  
SCALE: NTS

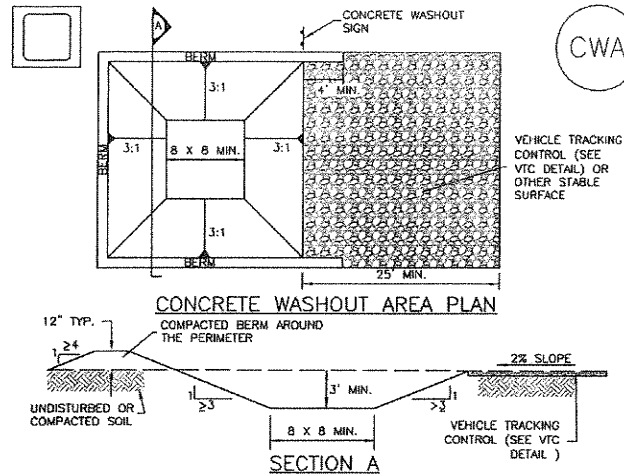


RIPRAP RUNDOWN  
SCALE: NTS

Project No.:	14028
Date:	JULY 27, 2018
Design:	RNW
Drawn:	EAK
Check:	RNW
Revisions:	

Concrete Washout Area (CWA)

MM-1



CWA-1. CONCRETE WASHOUT AREA

CWA INSTALLATION NOTES

- SEE PLAN VIEW FOR: -CWA INSTALLATION LOCATION.
- DO NOT LOCATE AN UNLINED CWA WITHIN 400' OF ANY NATURAL DRAINAGE PATHWAY OR WATERBODY. DO NOT LOCATE WITHIN 1,000' OF ANY WELLS OR DRINKING WATER SOURCES. IF SITE CONSTRAINTS MAKE THIS INFEASIBLE, OR IF HIGHLY PERMEABLE SOILS EXIST ON SITE, THE CWA MUST BE INSTALLED WITH AN IMPERMEABLE LINER (16 MIL MIN. THICKNESS) OR SURFACE STORAGE ALTERNATIVES USING PREFABRICATED CONCRETE WASHOUT DEVICES OR A LINED ABOVE GROUND STORAGE ARE SHOULD BE USED.
- THE CWA SHALL BE INSTALLED PRIOR TO CONCRETE PLACEMENT ON SITE.
- CWA SHALL INCLUDE A FLAT SUBSURFACE PIT THAT IS AT LEAST 8' BY 8' SLOPES LEADING OUT OF THE SUBSURFACE PIT SHALL BE 3:1 OR FLATTER. THE PIT SHALL BE AT LEAST 3' DEEP.
- BERM SURROUNDING SIDES AND BACK OF THE CWA SHALL HAVE MINIMUM HEIGHT OF 1'.
- VEHICLE TRACKING PAD SHALL BE SLOPED 2% TOWARDS THE CWA.
- SIGNS SHALL BE PLACED AT THE CONSTRUCTION ENTRANCE, AT THE CWA, AND ELSEWHERE AS NECESSARY TO CLEARLY INDICATE THE LOCATION OF THE CWA TO OPERATORS OF CONCRETE TRUCKS AND PUMP RIGS.
- USE EXCAVATED MATERIAL FOR PERIMETER BERM CONSTRUCTION.

November 2010 Urban Drainage and Flood Control District CWA-3  
Urban Storm Drainage Criteria Manual Volume 3

MM-1 Concrete Washout Area (CWA)

CWA MAINTENANCE NOTES

- INSPECT BMPs EACH WORKDAY, AND MAINTAIN THEM IN EFFECTIVE OPERATING CONDITION. MAINTENANCE OF BMPs SHOULD BE PROACTIVE, NOT REACTIVE. INSPECT BMPs AS SOON AS POSSIBLE (AND ALWAYS WITHIN 24 HOURS) FOLLOWING A STORM THAT CAUSES SURFACE EROSION, AND PERFORM NECESSARY MAINTENANCE.
- FREQUENT OBSERVATIONS AND MAINTENANCE ARE NECESSARY TO MAINTAIN BMPs IN EFFECTIVE OPERATING CONDITION. INSPECTIONS AND CORRECTIVE MEASURES SHOULD BE DOCUMENTED THOROUGHLY.
- WHERE BMPs HAVE FAILED, REPAIR OR REPLACEMENT SHOULD BE INITIATED UPON DISCOVERY OF THE FAILURE.
- THE CWA SHALL BE REPAIRED, CLEANED, OR ENLARGED AS NECESSARY TO MAINTAIN CAPACITY FOR CONCRETE WASTE. CONCRETE MATERIALS, ACCUMULATED IN PIT, SHALL BE REMOVED ONCE THE MATERIALS HAVE REACHED A DEPTH OF 2'.
- CONCRETE WASHOUT WATER, WASTED PIECES OF CONCRETE AND ALL OTHER DEBRIS IN THE SUBSURFACE PIT SHALL BE TRANSPORTED FROM THE JOB SITE IN A WATER-TIGHT CONTAINER AND DISPOSED OF PROPERLY.
- THE CWA SHALL REMAIN IN PLACE UNTIL ALL CONCRETE FOR THE PROJECT IS PLACED.
- WHEN THE CWA IS REMOVED, COVER THE DISTURBED AREA WITH TOP SOIL, SEED AND MULCH OR OTHERWISE STABILIZED IN A MANNER APPROVED BY THE LOCAL JURISDICTION.

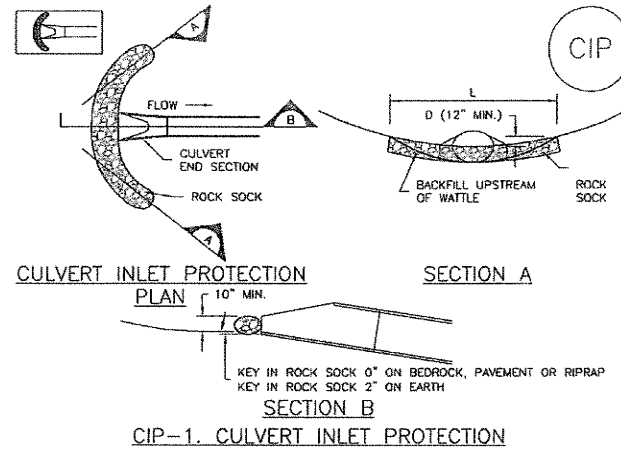
(DETAIL ADAPTED FROM BOULDER COUNTY, COLORADO AND THE CITY OF PARKER, COLORADO, NOT AVAILABLE IN AUTOCAD)  
NOTE: MANY JURISDICTIONS HAVE BMP DETAILS THAT VARY FROM UDFCD STANDARD DETAILS. CONSULT WITH LOCAL JURISDICTIONS AS TO WHICH DETAIL SHOULD BE USED WHEN DIFFERENCES ARE NOTED.

STANDARD EPC GRADING AND EROSION CONTROL NOTES

- Construction may not commence until a Construction Permit is obtained from Planning and Community Development Department (PCD) and a Preconstruction Conference is held with PCD Inspectors.
- Stormwater discharges from construction sites shall not cause or threaten to cause pollution, contamination, or degradation of State Waters. All work and earth disturbance shall be done in a manner that minimizes pollution of any on-site or off site waters, including wetlands.
- Notwithstanding anything depicted in these plans in words or graphic representation, all design and construction related to roads, storm drainage and erosion control shall conform to the standards and requirements of the most recent version of the relevant adopted El Paso County standards, including the Land Development Code, the Engineering Criteria Manual, the Drainage Criteria Manual, and the Drainage Criteria Manual Volume 2. Any deviations to regulations and standards must be requested, and approved in writing.
- A separate Stormwater Management Plan (SWMP) for this project shall be completed and an Erosion and Stormwater Quality Control Permit (ESQCP) issued prior to commencing construction. During construction the SWMP is the responsibility of the designated Stormwater Manager. The SWMP shall be located on site at all times and shall be kept up to date with work progress and changes in the field.
- Once the ESQCP has been issued, the contractor may install the initial stage erosion and sediment control BMPs as indicated on the GEC. A preconstruction meeting between the contractor, engineer, and El Paso County will be held prior to any construction. It is the responsibility of the applicant to coordinate the meeting time and place with County PCD inspections staff.
- Soil erosion control measures for all slopes, channels, ditches, or any disturbed land area shall be completed within 21 calendar days after final grading, or earth disturbance, has been completed. Disturbed areas and stockpiles, which are not at final grade but will remain dormant for longer than 30 days, shall also be mulched within 21 days after interim grading. And area that is going to remain an interim for more than 60 days shall also be seeded. All temporary soil erosion control measures and BMPs shall be maintained until permanent soil erosion control measures are implemented and established.
- Temporary soil erosion control facilities shall be removed and earth disturbance areas graded and stabilized with permanent soil erosion control measures pursuant to standards and specification prescribed in the DCM Volume II and the Engineering Criteria Manual (ECM) appendix I.
- All persons engaged with earth disturbance shall implement and maintain acceptable soil erosion and sediment control measures including BMPs in conformance with the erosion control technical standards of the Drainage Criteria Manual (DCM) Volume II and in accordance with the Stormwater Management Plan (SWMP).
- All temporary erosion control facilities including BMPs and all permanent facilities intended to control erosion of any earth disturbance operations shall be installed as defined in the approved plans, the SWMP and the DCM Volume II and maintained throughout the duration of the earth disturbance operation.
- Any earth disturbance shall be conducted in such a manner so as to effectively reduce accelerated soil erosion and resulting sedimentation. All disturbances shall be designed, constructed, and completed so that the exposed area of any disturbance shall be limited to the shortest practical period of time.
- Any temporary or permanent facility designed and constructed for the conveyance of stormwater around, through, or from the earth disturbance area shall be designed to limit the discharge to a non-erosive velocity.
- Concrete wash water shall be contained and disposed of in accordance with the SWMP. No wash water shall be discharged to or allowed to runoff to State Waters, including any surface or subsurface storm drainage system or facilities.
- Erosion control blanketing is to be used on slopes steeper than 3:1.
- Building, construction, excavation, or other waste materials shall not be temporarily placed or stored in the street, alley, or other public way, unless in accordance with an approved Traffic Control Plan. BMPs may be required by El Paso County Department of Public Works if deemed necessary, based on specific conditions and circumstances.
- Vehicle tracking of site and construction debris off-site shall be minimized. Materials tracked off-site shall be cleaned up and properly disposed of immediately.
- Contractor shall be responsible for the removal of all wastes from the construction site for disposal in accordance with local and State regulatory requirements. No construction debris, tree slash, building material wastes or unused building materials shall be buried, dumped, or discharged at the site.
- The owner, site developer, contractor, and/or their authorized agents shall be responsible for the removal of all construction debris, dirt, trash, rock, sediment, and sand that may accumulate in the storm sewer or other drainage conveyance and stormwater appurtenances as a result of site development.
- The quantity of materials stored on the project site shall be limited, as much as practical, to that quantity required to perform the work in an orderly sequence. All materials stored on-site shall be stored in a neat, orderly manner, in their original containers, with original manufacturer's labels.
- No chemicals are to be used by the contractor, which have the potential to be released in stormwater unless permission for the use of a specific chemical is granted in writing by the DCM Administrator. In granting the use of such chemicals, special conditions and monitoring may be required.
- Bulk storage structures for petroleum products and other chemicals shall have adequate protection so as to contain all spills and prevent any spilled material from entering State Waters, including any surface or subsurface storm drainage system or facilities.
- No person shall cause the impediment of stormwater flow in the flow line of the curb and gutter or in the ditchline.
- Individuals shall comply with the "Colorado Water Quality Control Act" (Title 25, Article 8, CRS), and the Clean Water Act" (33 USC 1344), in addition to the requirements included in the DCM Volume II and the ECM Appendix I. All appropriate permits must be obtained by the Contractor prior to the construction (NPDES, Floodplain, 404, fugitive dust, etc.). In the event of conflicts between these requirements and laws, rules, or regulations of other Federal, State, or County Agencies, the more restrictive laws, rules, or regulations shall apply.
- All construction traffic must enter/exit the site at approved construction access points.
- Prior to actual construction the permittee shall verify the location of existing utilities.
- A water source shall be available on site during earthwork operations and utilized as required to minimize dust from earthwork equipment and wind.
- The soils report for this site entitled "Preliminary Subsurface Soil Investigation Cherry Creek Crossing Filing No. 1, Lot 111 El Paso County, Colorado" has been prepared by Entech Engineering, Inc., and should be considered a part of these plans.
- At least ten days prior to the anticipated start of construction, for projects that will disturb 1 acre or more, the owner or operator of construction activity shall submit a permit application for stormwater discharge to the Colorado Department of Public Health and Environment, Water Quality Division. The application contains certification of completion of a stormwater management plan (SWMP), of which this grading and erosion control plan may be a part. For information or application materials contact:  
Colorado Department of Public Health and Environment  
Water Quality Control Division  
WQCD - Permits  
4300 Cherry Creek Drive South  
Denver, Colorado 80246-1530  
Attn: Permits Unit

Inlet Protection (IP)

SC-6



CULVERT INLET PROTECTION INSTALLATION NOTES

- SEE PLAN VIEW FOR: -LOCATION OF CULVERT INLET PROTECTION.
- SEE ROCK SOCK DESIGN DETAIL FOR ROCK GRADATION REQUIREMENTS AND JOINTING DETAIL.
- INSPECT BMPs EACH WORKDAY, AND MAINTAIN THEM IN EFFECTIVE OPERATING CONDITION. MAINTENANCE OF BMPs SHOULD BE PROACTIVE, NOT REACTIVE. INSPECT BMPs AS SOON AS POSSIBLE (AND ALWAYS WITHIN 24 HOURS) FOLLOWING A STORM THAT CAUSES SURFACE EROSION, AND PERFORM NECESSARY MAINTENANCE.
- FREQUENT OBSERVATIONS AND MAINTENANCE ARE NECESSARY TO MAINTAIN BMPs IN EFFECTIVE OPERATING CONDITION. INSPECTIONS AND CORRECTIVE MEASURES SHOULD BE DOCUMENTED THOROUGHLY.
- WHERE BMPs HAVE FAILED, REPAIR OR REPLACEMENT SHOULD BE INITIATED UPON DISCOVERY OF THE FAILURE.
- SEDIMENT ACCUMULATED UPSTREAM OF THE CULVERT SHALL BE REMOVED WHEN THE SEDIMENT DEPTH IS 1/2 THE HEIGHT OF THE ROCK SOCK.
- CULVERT INLET PROTECTION SHALL REMAIN IN PLACE UNTIL THE UPSTREAM DISTURBED AREA IS PERMANENTLY STABILIZED AND APPROVED BY THE LOCAL JURISDICTION.

(DETAIL ADAPTED FROM AURORA, COLORADO, NOT AVAILABLE IN AUTOCAD)

NOTE: MANY JURISDICTIONS HAVE BMP DETAILS THAT VARY FROM UDFCD STANDARD DETAILS. CONSULT WITH LOCAL JURISDICTIONS AS TO WHICH DETAIL SHOULD BE USED WHEN DIFFERENCES ARE NOTED.

August 2013 Urban Drainage and Flood Control District IP-7  
Urban Storm Drainage Criteria Manual Volume 3

PROJECT SPECIFIC GRADING AND EROSION CONTROL NOTES

- All earthwork required for this construction shall be completed in accordance with all applicable sections of the Project Specifications and Soil Investigation Report (Geotechnical Report).
- Rubbish including timber, concrete rubble, trees, brush, and asphalt shall not be backfilled adjacent to any of the structures or in the placement of any unclassified fill. The Contractor shall be responsible for the removal and hauling of such materials to a suitable spoil area. Costs associated with the removal of such materials shall be paid for as documented in the Project Specifications.
- Excess excavation shall become the property of the Contractor and shall be disposed of at the Contractor's expense. The cost of haulage and spoiling of excess excavated materials shall be paid for as documented in the Project Specifications.
- Water shall be used as a dust palliative as required and shall be included in the cost for earthwork item(s). No separate payment will be made for dust control associated with the site construction.
- The road grades shall be cleared of vegetation and the topsoil stockpiled for later use.
- All grading shall be in conformance with the Geotechnical Report for the area.
- Placement of fill for roadway embankments shall be completed in conformance with the Geotechnical Report.
- Grading contours shown on this plan are to final grade.
- Compaction under filled areas, including roadway and detention basin embankments, shall be 95 percent of the maximum Standard Proctor Density (ASTM D698) at two (2) percent of optimum moisture content.
- No rubble or debris shall be placed in the backfill under any of the proposed buildings, streets, curb & gutter, sidewalk and drainage structures or within five (5) feet of a building footprint. Properly graded rubble may be used in some locations as specified and verified by the Geotechnical Engineer.
- Contractor is responsible for reviewing the site prior to bidding to verify site conditions.
- Contractor is responsible for providing erosion control measures as approved by the El Paso County PCD Engineering Division and as may be required by the El Paso County Inspector.
- All slopes equal to or greater than 3:1 shall require anchored soil retention blanket (SRB), Geocoir 700 or equal.
- The Developer is responsible for maintaining erosion control measures until a mature stage of vegetation is established.
- All soils used for fill must be approved by a representative of the Geotechnical Engineer.
- All natural ground to receive fill must be properly scarified, watered and compacted prior to placing fill. The Contractor is solely responsible for the design, maintenance and operation of any required dewatering system. The Contractor shall perform such independent investigation as he deems necessary to satisfy himself as to the subsurface groundwater conditions and unstable soil conditions to be encountered throughout the construction. Contractor shall coordinate the dewatering system with El Paso County when associated with public facilities.
- No fill shall be placed, spread or rolled while it is frozen, thawing or during unfavorable weather conditions. When the work is interrupted by heavy rain, fill operations shall not be resumed until a representative of the Geotechnical Engineer indicates that the moisture content and density of the previously placed fill are as specified. Fill surfaces may be scarified and recompacted after rainfall if necessary, to obtain proper moisture density relation.
- Additional erosion control structures and/or grading may be required at the time of construction.
- Sediment removal for erosion control facilities shall be performed continuously for proper function.
- Base mapping was provided by 4M Group Inc. The date of the last survey update was May, 2014.
- Proposed Construction Schedule:  
Begin Construction: pending  
End Construction: pending  
Total Site Area = 7.5 Acres
- Area to be disturbed = 7.5 Acres (est.)  
Existing 100-year runoff coefficient = 0.25  
Proposed 100-year runoff coefficient = 0.25  
Existing Hydrologic Soil Groups: A/B  
(B Cruckton SANDY LOAM), (B Peyton Ping Complex)  
(A Ellicott COURSE SAND)
- Site is currently undeveloped and covered with native grasses on moderate to steep slopes (3%-6%).
- Site is located in the East Cherry Creek Drainage Basin.

GENERAL INLET PROTECTION INSTALLATION NOTES

- SEE PLAN VIEW FOR: -LOCATION OF INLET PROTECTION. -TYPE OF INLET PROTECTION (IP.1, IP.2, IP.3, IP.4, IP.5, IP.6)
- INLET PROTECTION SHALL BE INSTALLED PROMPTLY AFTER INLET CONSTRUCTION OR PAVING IS COMPLETE (TYPICALLY WITHIN 48 HOURS). IF A RAINFALL/RUNOFF EVENT IS FORECAST, INSTALL INLET PROTECTION PRIOR TO ONSET OF EVENT.
- MANY JURISDICTIONS HAVE BMP DETAILS THAT VARY FROM UDFCD STANDARD DETAILS. CONSULT WITH LOCAL JURISDICTIONS AS TO WHICH DETAIL SHOULD BE USED WHEN DIFFERENCES ARE NOTED.
- INSPECT BMPs EACH WORKDAY, AND MAINTAIN THEM IN EFFECTIVE OPERATING CONDITION. MAINTENANCE OF BMPs SHOULD BE PROACTIVE, NOT REACTIVE. INSPECT BMPs AS SOON AS POSSIBLE (AND ALWAYS WITHIN 24 HOURS) FOLLOWING A STORM THAT CAUSES SURFACE EROSION, AND PERFORM NECESSARY MAINTENANCE.
- FREQUENT OBSERVATIONS AND MAINTENANCE ARE NECESSARY TO MAINTAIN BMPs IN EFFECTIVE OPERATING CONDITION. INSPECTIONS AND CORRECTIVE MEASURES SHOULD BE DOCUMENTED THOROUGHLY.
- WHERE BMPs HAVE FAILED, REPAIR OR REPLACEMENT SHOULD BE INITIATED UPON DISCOVERY OF THE FAILURE.
- SEDIMENT ACCUMULATED UPSTREAM OF INLET PROTECTION SHALL BE REMOVED AS NECESSARY TO MAINTAIN BMP EFFECTIVENESS, TYPICALLY WHEN STORAGE VOLUME REACHES 50% OF CAPACITY, A DEPTH OF 6" WHEN SILT FENCE IS USED, OR 1/4 OF THE HEIGHT FOR STRAW BALES.
- INLET PROTECTION IS TO REMAIN IN PLACE UNTIL THE UPSTREAM DISTURBED AREA IS PERMANENTLY STABILIZED, UNLESS THE LOCAL JURISDICTION APPROVES EARLIER REMOVAL OF INLET PROTECTION IN STREETS.
- WHEN INLET PROTECTION AT AREA INLETS IS REMOVED, THE DISTURBED AREA SHALL BE COVERED WITH TOP SOIL, SEED AND MULCHED, OR OTHERWISE STABILIZED IN A MANNER APPROVED BY THE LOCAL JURISDICTION.

(DETAIL ADAPTED FROM TOWN OF PARKER, COLORADO AND CITY OF AURORA, COLORADO, NOT AVAILABLE IN AUTOCAD)

NOTE: MANY JURISDICTIONS HAVE BMP DETAILS THAT VARY FROM UDFCD STANDARD DETAILS. CONSULT WITH LOCAL JURISDICTIONS AS TO WHICH DETAIL SHOULD BE USED WHEN DIFFERENCES ARE NOTED.

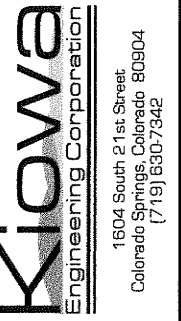
NOTE: THE DETAILS INCLUDED WITH THIS FACT SHEET SHOW COMMONLY USED, CONVENTIONAL METHODS OF INLET PROTECTION IN THE DENVER METROPOLITAN AREA. THERE ARE MANY PROPRIETARY INLET PROTECTION METHODS ON THE MARKET. UDFCD NEITHER ENDORSES NOR DISCOURAGES USE OF PROPRIETARY INLET PROTECTION; HOWEVER, IN THE EVENT PROPRIETARY METHODS ARE USED, THE APPROPRIATE DETAIL FROM THE MANUFACTURER MUST BE INCLUDED IN THE SWMP AND THE BMP MUST BE INSTALLED AND MAINTAINED AS SHOWN IN THE MANUFACTURER'S DETAILS.

NOTE: SOME MUNICIPALITIES DISCOURAGE OR PROHIBIT THE USE OF STRAW BALES FOR INLET PROTECTION. CHECK WITH LOCAL JURISDICTION TO DETERMINE IF STRAW BALE INLET PROTECTION IS ACCEPTABLE.

Urban Drainage and Flood Control District  
Urban Storm Drainage Criteria Manual Volume 3

August 2013

EPC 1/17/19



CHERRY CREEK CROSSING, FILING NO. 1 LOT 111  
OVERLOT GRADING and EROSION CONTROL PLAN  
EROSION CONTROL DETAILS  
EL PASO COUNTY, COLORADO

Project No.14028
Date: JULY 27, 2018
Design: RNW
Drawn: EAK
Check: RNW
Revisions:

**SEEDING AND MULCHING INSTALLATION NOTES**

- SEE PLAN VIEW FOR:
  - AREA OF SEEDING AND MULCHING
  - TYPE OF SEED MIX
- ALL BRANDS FURNISHED SHALL BE FREE FROM SUCH NOXIOUS SEEDS AS RUSSIAN OR CANADIAN THISTLE, COARSE FESCUE, EUROPEAN BINDWEED, JOHNSON GRASS, KNAF WEED AND LEAFY SPURGE.
- THE SEEDER SHALL FURNISH TO THE CONTRACTOR A SIGNED STATEMENT CERTIFYING THAT THE SEED FURNISHED IS FROM A LOT THAT HAS BEEN TESTED BY A RECOGNIZED LABORATORY. SEED WHICH HAS BECOME WET, MOLDY OR OTHERWISE DAMAGED IN TRANSIT OR IN STORAGE WILL NOT BE ACCEPTABLE. SEED TICKETS SHALL BE PROVIDED TO REGULATING AGENCY UPON REQUEST.
- DRILL SEEDING MIX SHALL CONFORM TO THE TABLE ON THE RIGHT.
- IF THE SEED AVAILABLE ON THE MARKET DOES NOT MEET THE MINIMUM PURITY AND GERMINATION PERCENTAGES SPECIFIED, THE SUBCONTRACTOR MUST COMPENSATE FOR A LESSER PERCENTAGE OF PURITY OR GERMINATION BY FURNISHING SUFFICIENT ADDITIONAL SEED TO EQUAL THE SPECIFIED PRODUCT. THE TAGS FROM THE SEED MIXES MUST BE SUPPLIED TO CONTRACTOR AND FORWARDED TO THE REGULATING AGENCY'S GESC INSPECTOR.
- THE FORMULA USED FOR DETERMINING THE QUANTITY OF PURE LIVE SEED (PLS) SHALL BE: (POUNDS OF SEED) X (PURITY) X (GERMINATION) = POUNDS OF PURE LIVE SEED (PLS).
- PERMANENT SEED MIX SHALL BE USED UNLESS OTHERWISE APPROVED BY THE REGULATING AGENCY.
- ALL AREAS TO BE SEEDING AND MULCHED SHALL HAVE NATIVE TOPSOIL OR APPROVED SOIL AMENDMENTS SPREAD TO A DEPTH OF AT LEAST 6 INCHES (LOOSE DEPTH). HAUL ROADS AND OTHER COMPACTED AREAS SHALL BE LOOSENED TO A DEPTH OF 6 INCHES PRIOR TO SPREADING TOPSOIL.
- SOIL IS TO BE THOROUGHLY LOOSENED (TILLED) TO A DEPTH OF AT LEAST 6 INCHES PRIOR TO SEEDING. THE TOP 6 INCHES OF THE SEED BED SHALL BE FREE OF ROCKS GREATER THAN 4 INCHES AND SOIL CLODS GREATER THAN 2 INCHES. SEEDING OVER ANY COMPACTED AREAS THAT HAVEN'T BEEN THOROUGHLY LOOSENED SHALL BE REJECTED.
- SEED IS TO BE APPLIED USING A MECHANICAL DRILL TO A DEPTH OF 1/4 INCH. ROW SPACING SHALL BE NO MORE THAN 6 INCHES. MATERIAL USED FOR MULCH SHALL CONSIST OF LONG-STEMMED STRAW. AT LEAST 50 PERCENT OF THE MULCH, BY WEIGHT, SHALL BE 10 INCHES OR MORE IN LENGTH. MULCH SHALL BE APPLIED AND MECHANICALLY ANCHORED TO A DEPTH OF AT LEAST 2 INCHES. MULCH SHALL BE APPLIED AT A RATE OF 4000 LB. OF STRAW PER ACRE.
- IF THE PERMITTEE DEMONSTRATES TO THE REGULATING AGENCY THAT IT IS NOT POSSIBLE TO DRILL SEED, SEED IS TO BE UNIFORMLY BROADCAST AT TWO TIMES THE DRILLED RATE, THEN LIGHTLY HARROWED TO PROVIDE A SEED DEPTH OF APPROXIMATELY 1/4 INCH, THEN ROLLED TO COMPACT, THEN MULCHED AS SPECIFIED ABOVE.
- SEEDING AND MULCHING SHALL BE COMPLETED WITHIN 30 DAYS OF INITIAL EXPOSURE OR 7 DAYS AFTER GRADING IS SUBSTANTIALLY COMPLETE IN A GIVEN AREA (AS DEFINED BY THE REGULATING AGENCY). THIS MAY REQUIRE MULTIPLE MOBILIZATIONS FOR SEEDING AND MULCHING.
- MULCH SHALL BE APPLIED WITHIN 24 HOURS OF SEEDING.
- TACKIFIER SHOULD BE UTILIZED TO HELP WITH STRAW DISPLACEMENT.

**SEEDING AND MULCHING MAINTENANCE NOTES**

- SEEDING AND MULCHED AREAS SHALL BE INSPECTED FOR REQUIRED COVERAGE MONTHLY FOR A PERIOD OF TWO YEARS FOLLOWING INITIAL SEEDING. REPAIRS AND RE-SEEDING AND MULCHING SHALL BE UNDERTAKEN AFTER THE FIRST GROWING SEASON FOR ANY AREAS FAILING TO MEET THE REQUIRED COVERAGE.
- REQUIRED COVERAGE FOR STANDARD, OPEN SPACE AND LOW GROWTH SEED MIXES SHALL BE DEFINED AS FOLLOWS:
  - THREE (3) PLANTS PER SQUARE FOOT WITH A MINIMUM HEIGHT OF 3 INCHES. THE 3 PLANTS PER SQUARE FOOT SHALL BE OF THE VARIETY AND SPECIES FOUND IN THE DOUGLAS COUNTY-APPROVED MIX.
  - NO BARE AREAS LARGER THAN 4 SQUARE FEET (TWO-FEET BY TWO-FEET OR EQUIVALENT).
  - FREE OF ERODED AREAS.
  - FREE FROM INFESTATION OF NOXIOUS WEEDS IN ACCORDANCE WITH SECTION 6.4 OF THE GESC CRITERIA MANUAL.
- REQUIRED COVERAGE FOR TURF GRASS AREAS SHALL BE DEFINED AS FOLLOWS:
  - AT LEAST 80% VEGETATIVE COVER OF GRASS SPECIES PLANTED.
  - NO BARE AREAS LARGER THAN 4 SQUARE FEET (TWO-FEET BY TWO-FEET OR EQUIVALENT).
  - FREE OF ERODED AREAS.
  - FREE FROM INFESTATION OF NOXIOUS WEEDS IN ACCORDANCE WITH SECTION 6.4 OF THE GESC CRITERIA MANUAL.
- RILL AND GULLY EROSION SHALL BE FILLED WITH TOPSOIL PRIOR TO RESEEDING. THE RESEEDING METHOD SHALL BE APPROVED BY THE COUNTY.

SEED MIX	
AREAS DISTURBED BY THE EARTHWORK SHALL BE PERMANENTLY REVEGETATED WITH NATIVE GRASSES. NATIVE SEED MIX FOR THIS PROJECT SHALL BE AS FOLLOWS:	
SPECIES	lbs/acre
WESTERN WHEAT GRASS	<i>Paspalum smithii</i> 2.0
SIDEHATS GRAMA	<i>Bouteloua curtipendula</i> 2.0
SLENDER WHEAT GRASS	<i>Elymus trachycaulis</i> 2.0
LITTLE BLUESTEM	<i>Schizachyrium scoparium</i> 2.0
BLUE GRAMA	<i>Bouteloua gracilis</i> 0.5
SWITCH GRASS	<i>Panicum virgatum</i> 2.0
JUNE GRASS	<i>Koeleria cristata</i> 0.5
SAND DROPSEED	<i>Sporobolus cryptandrus</i> 0.5
	12.5 lbs

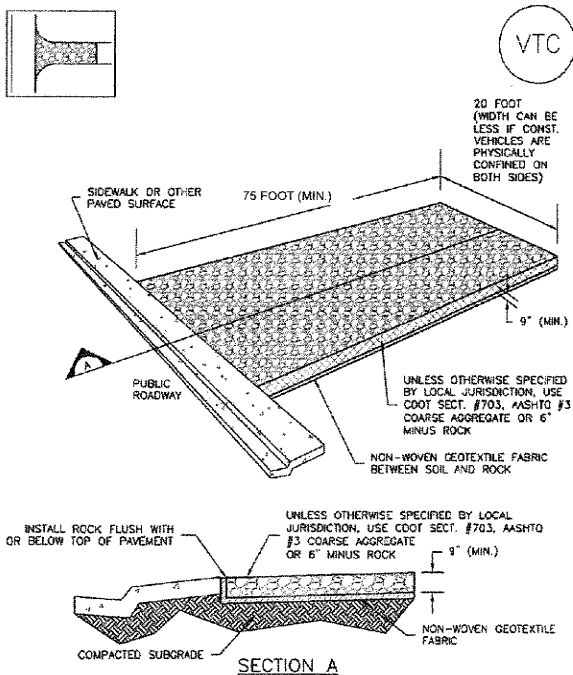
SEEDING APPLICATION: DRILL SEED 1/4" TO 1/2" INTO TOPSOIL. IN AREAS INACCESSIBLE TO A DRILL, HAND BROADCAST AT DOUBLE THE RATE AND RAKE 1/4" TO 1/2" INTO THE TOPSOIL.  
 MULCHING APPLICATION: 1-1/2 TONS NATIVE HAY PER ACRE, MECHANICALLY CRIMPED INTO THE TOPSOIL OR HYDRMULCH.

**SEEDING AND MULCH NTS**



**Vehicle Tracking Control (VTC) SM-4**

SM-4

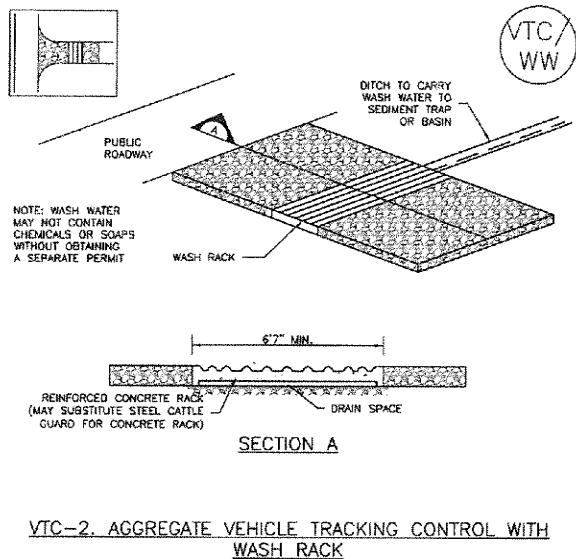


VTC-1. AGGREGATE VEHICLE TRACKING CONTROL

VTC-3

**Vehicle Tracking Control (VTC) SM-4**

SM-4

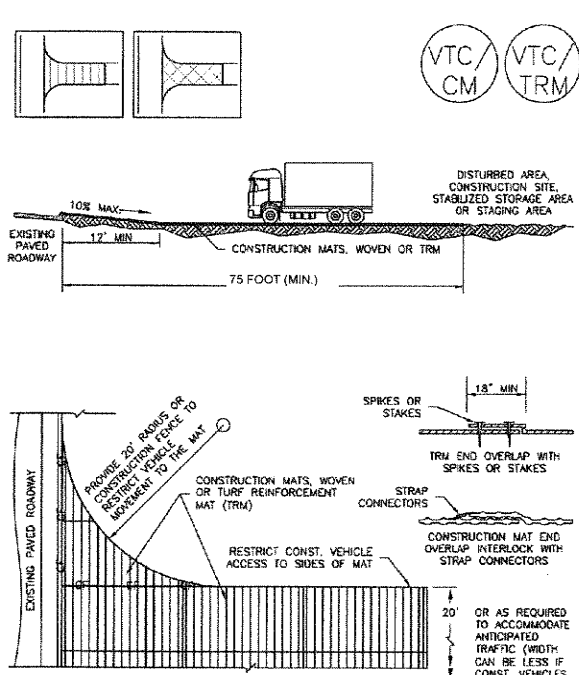


VTC-2. AGGREGATE VEHICLE TRACKING CONTROL WITH WASH RACK

VTC-4

**Vehicle Tracking Control (VTC) SM-4**

SM-4

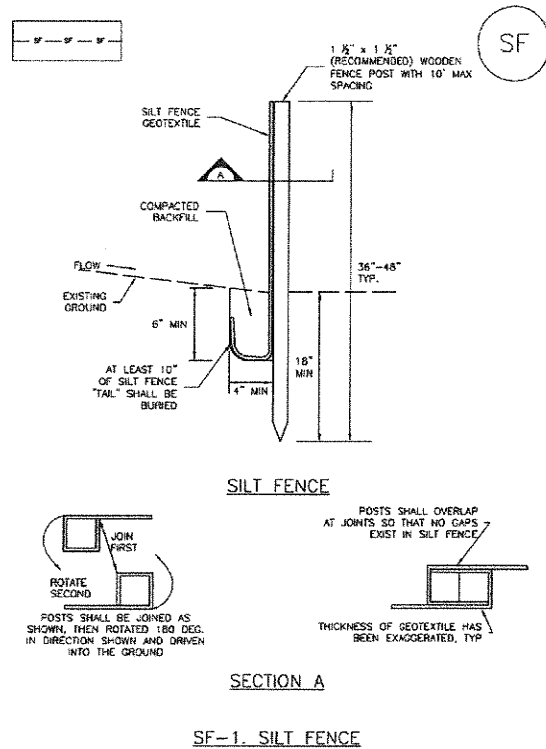


VTC-3. VEHICLE TRACKING CONTROL W/ CONSTRUCTION MAT OR TURF REINFORCEMENT MAT (TRM)

VTC-5

**Silt Fence (SF)**

SC-1



SILT FENCE

SECTION A SF-1. SILT FENCE

SF-3

**Silt Fence (SF)**

SC-1

- SILT FENCE INSTALLATION NOTES**
- SILT FENCE MUST BE PLACED AWAY FROM THE TOE OF THE SLOPE TO ALLOW FOR WATER PONDING. SILT FENCE AT THE TOE OF A SLOPE SHOULD BE INSTALLED IN A FLAT LOCATION AT LEAST SEVERAL FEET (2-5 FT) FROM THE TOE OF THE SLOPE TO ALLOW ROOM FOR PONDING AND DEPOSITION.
  - A UNIFORM 6" X 4" ANCHOR TRENCH SHALL BE EXCAVATED USING TRENCHER OR SILT FENCE INSTALLATION DEVICE. NO ROAD GRADERS, BACKHOES, OR SIMILAR EQUIPMENT SHALL BE USED.
  - COMPACT ANCHOR TRENCH BY HAND WITH A "JUMPING JACK" OR BY WHEEL ROLLING. COMPACTION SHALL BE SUCH THAT SILT FENCE RESISTS BEING PULLED OUT OF ANCHOR TRENCH BY HAND.
  - SILT FENCE SHALL BE PULLED TIGHT AS IT IS ANCHORED TO THE STAKES. THERE SHOULD BE NO NOTICEABLE SAG BETWEEN STAKES AFTER IT HAS BEEN ANCHORED TO THE STAKES.
  - SILT FENCE FABRIC SHALL BE ANCHORED TO THE STAKES USING 1" HEAVY DUTY STAPLES OR NAILS WITH 1" HEADS. STAPLES AND NAILS SHOULD BE PLACED 3" ALONG THE FABRIC DOWN THE STAKE.
  - AT THE END OF A RUN OF SILT FENCE ALONG A CONTOUR, THE SILT FENCE SHOULD BE TURNED PERPENDICULAR TO THE CONTOUR TO CREATE A "J-HOOK". THE "J-HOOK" EXTENDING PERPENDICULAR TO THE CONTOUR SHOULD BE OF SUFFICIENT LENGTH TO KEEP RUNOFF FROM FLOWING AROUND THE END OF THE SILT FENCE (TYPICALLY 10' - 20').
  - SILT FENCE SHALL BE INSTALLED PRIOR TO ANY LAND DISTURBING ACTIVITIES.
- SILT FENCE MAINTENANCE NOTES**
- INSPECT BMPs EACH WORKDAY, AND MAINTAIN THEM IN EFFECTIVE OPERATING CONDITION. MAINTENANCE OF BMPs SHOULD BE PROACTIVE, NOT REACTIVE. INSPECT BMPs AS SOON AS POSSIBLE (AND ALWAYS WITHIN 24 HOURS) FOLLOWING A STORM THAT CAUSES SURFACE EROSION, AND PERFORM NECESSARY MAINTENANCE.
  - FREQUENT OBSERVATIONS AND MAINTENANCE ARE NECESSARY TO MAINTAIN BMPs IN EFFECTIVE OPERATING CONDITION. INSPECTIONS AND CORRECTIVE MEASURES SHOULD BE DOCUMENTED THOROUGHLY.
  - WHERE BMPs HAVE FAILED, REPAIR OR REPLACEMENT SHOULD BE INITIATED UPON DISCOVERY OF THE FAILURE.
  - SEDIMENT ACCUMULATED UPSTREAM OF THE SILT FENCE SHALL BE REMOVED AS NEEDED TO MAINTAIN THE FUNCTIONALITY OF THE BMP, TYPICALLY WHEN DEPTH OF ACCUMULATED SEDIMENTS IS APPROXIMATELY 6".
  - REPAIR OR REPLACE SILT FENCE WHEN THERE ARE SIGNS OF WEAR, SUCH AS SAGGING, TEARING, OR COLLAPSE.
  - SILT FENCE IS TO REMAIN IN PLACE UNTIL THE UPSTREAM DISTURBED AREA IS STABILIZED AND APPROVED BY THE LOCAL JURISDICTION, OR IS REPLACED BY AN EQUIVALENT PERIMETER SEDIMENT CONTROL BMP.
  - WHEN SILT FENCE IS REMOVED, ALL DISTURBED AREAS SHALL BE COVERED WITH TOPSOIL, SEEDING AND MULCHED OR OTHERWISE STABILIZED AS APPROVED BY LOCAL JURISDICTION.
- (DETAILS ADAPTED FROM TOWN OF PARKER, COLORADO AND CITY OF ALBUQUA, NOT AVAILABLE IN AUTOCAD)  
 NOTE: MANY JURISDICTIONS HAVE BMP DETAILS THAT VARY FROM UDFCD STANDARD DETAILS. CONSULT WITH LOCAL JURISDICTIONS AS TO WHICH DETAIL SHOULD BE USED WHEN DIFFERENCES ARE NOTED.

SF-4

VTC-3

VTC-4

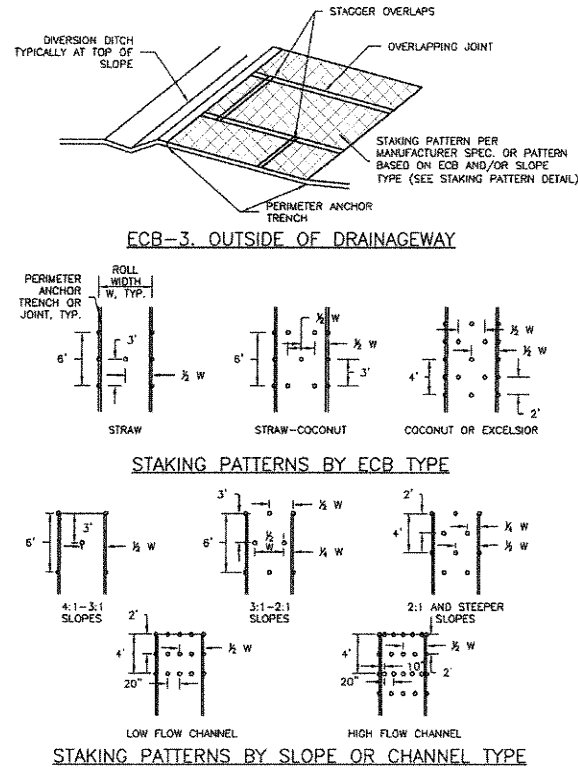
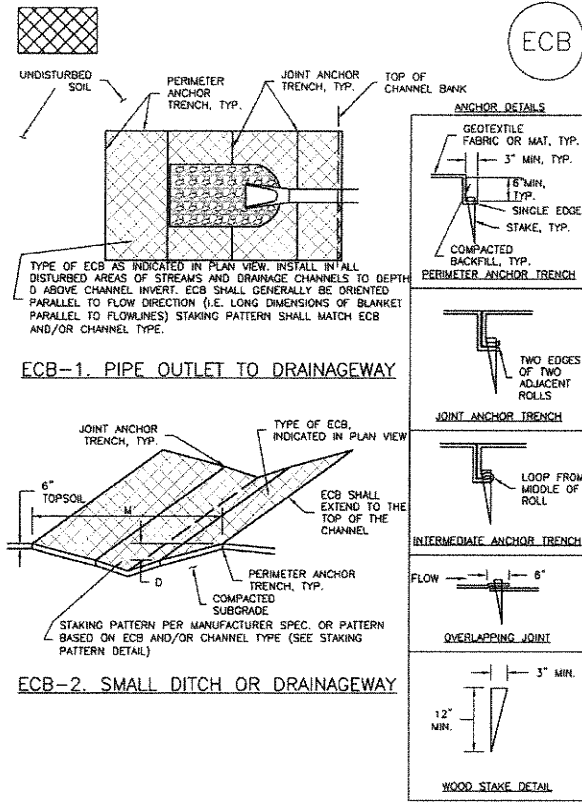
VTC-5

EPC 1/17/19



CHERRY CREEK CROSSING, FILING NO. 1 LOT 111  
 OVERLOT GRADING and EROSION CONTROL PLAN  
 EROSION CONTROL DETAILS  
 EL PASO COUNTY, COLORADO

Project No.14028
Date: JULY 27, 2018
Design: RNW
Drawn: EAK
Check: RNW
Revisions:



**EROSION CONTROL BLANKET INSTALLATION NOTES**

- SEE PLAN VIEW FOR:
  - LOCATION OF ECB.
  - TYPE OF ECB (STRAW, STRAW-COCONUT, COCONUT, OR EXCELSIOR).
  - AREA A, IN SQUARE YARDS OF EACH TYPE OF ECB.
- 100% NATURAL AND BIODEGRADABLE MATERIALS ARE PREFERRED FOR RECPs, ALTHOUGH SOME JURISDICTIONS MAY ALLOW OTHER MATERIALS IN SOME APPLICATIONS.
- IN AREAS WHERE ECBs ARE SHOWN ON THE PLANS, THE PERMITTEE SHALL PLACE TOPSOIL AND PERFORM FINAL GRADING, SURFACE PREPARATION, AND SEEDING AND MULCHING. SUBGRADE SHALL BE SMOOTH AND MOIST PRIOR TO ECB INSTALLATION AND THE ECB SHALL BE IN FULL CONTACT WITH SUBGRADE. NO GAPS OR VOIDS SHALL EXIST UNDER THE BLANKET.
- PERIMETER ANCHOR TRENCH SHALL BE USED ALONG THE OUTSIDE PERIMETER OF ALL BLANKET AREAS.
- JOINT ANCHOR TRENCH SHALL BE USED TO JOIN ROLLS OF ECBs TOGETHER (LONGITUDINALLY AND TRANSVERSELY) FOR ALL ECBs EXCEPT STRAW WHICH MAY USE AN OVERLAPPING JOINT.
- INTERMEDIATE ANCHOR TRENCH SHALL BE USED AT SPACING OF ONE-HALF ROLL LENGTH FOR COCONUT AND EXCELSIOR ECBs.
- OVERLAPPING JOINT DETAIL SHALL BE USED TO JOIN ROLLS OF ECBs TOGETHER FOR ECBs ON SLOPES.
- MATERIAL SPECIFICATIONS OF ECBs SHALL CONFORM TO TABLE ECB-1.
- ANY AREAS OF SEEDING AND MULCHING DISTURBED IN THE PROCESS OF INSTALLING ECBs SHALL BE RESEEDED AND MULCHED.
- DETAILS ON DESIGN PLANS FOR MAJOR DRAINAGEWAY STABILIZATION WILL GOVERN IF DIFFERENT FROM THOSE SHOWN HERE.

**TABLE ECB-1. ECB MATERIAL SPECIFICATIONS**

TYPE	COCONUT CONTENT	STRAW CONTENT	EXCELSIOR CONTENT	RECOMMENDED NETTING**
STRAW*	-	100%	-	DOUBLE/NATURAL
STRAW-COCONUT	30% MIN	70% MAX	-	DOUBLE/NATURAL
COCONUT	100%	-	-	DOUBLE/NATURAL
EXCELSIOR	-	-	100%	DOUBLE/NATURAL

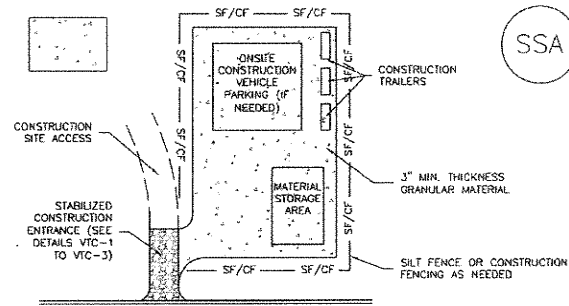
\*STRAW ECBs MAY ONLY BE USED SURFACES OF STRAIGHT AND SHALLOW CHANNELS.  
\*\*ALTERNATE NETTING MAY BE ACCEPTABLE IN SOME JURISDICTIONS.

**EROSION CONTROL BLANKET MAINTENANCE NOTES**

- INSPECT BMPs EACH WORKDAY, AND MAINTAIN THEM IN EFFECTIVE OPERATING CONDITION. MAINTENANCE OF BMPs SHOULD BE PROACTIVE, NOT REACTIVE. INSPECT BMPs AS SOON AS POSSIBLE (AND ALWAYS WITHIN 24 HOURS) FOLLOWING A STORM THAT CAUSES SURFACE EROSION, AND PERFORM NECESSARY MAINTENANCE.
- FREQUENT OBSERVATIONS AND MAINTENANCE ARE NECESSARY TO MAINTAIN BMPs IN EFFECTIVE OPERATING CONDITION. INSPECTIONS AND CORRECTIVE MEASURES SHOULD BE DOCUMENTED THOROUGHLY.
- WHERE BMPs HAVE FAILED, REPAIR OR REPLACEMENT SHOULD BE INITIATED UPON DISCOVERY OF THE FAILURE.
- ECBs SHALL BE LEFT IN PLACE TO EVENTUALLY BIODEGRADE, UNLESS REQUESTED TO BE REMOVED BY THE LOCAL JURISDICTION.
- ANY ECB PULLED OUT, TORN, OR OTHERWISE DAMAGED SHALL BE REPAIRED OR REINSTALLED. ANY SUBGRADE AREAS BELOW THE GEOTEXTILE THAT HAVE ERODED TO CREATE A VOID UNDER THE BLANKET, OR THAT REMAIN DEVOID OF GRASS SHALL BE REPAIRED, RESEEDED AND MULCHED AND THE ECB REINSTALLED.

**NOTE:** MANY JURISDICTIONS HAVE BMP DETAILS THAT VARY FROM UDFCD STANDARD DETAILS. CONSULT WITH LOCAL JURISDICTIONS AS TO WHICH DETAIL SHOULD BE USED WHEN DIFFERENCES ARE NOTED.

(DETAILS ADAPTED FROM DOUGLAS COUNTY, COLORADO AND TOWN OF PARKER, COLORADO, NOT AVAILABLE IN AUTOCAD)

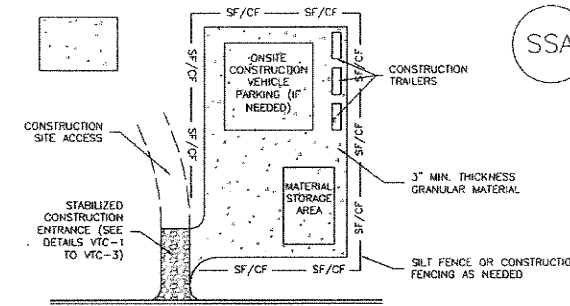


**STABILIZED STAGING AREA INSTALLATION NOTES**

- SEE PLAN VIEW FOR:
  - LOCATION OF STAGING AREA(S).
  - CONTRACTOR MAY ADJUST LOCATION AND SIZE OF STAGING AREA WITH APPROVAL FROM THE LOCAL JURISDICTION.
- STABILIZED STAGING AREA SHOULD BE APPROPRIATE FOR THE NEEDS OF THE SITE. OVERSIZING RESULTS IN A LARGER AREA TO STABILIZE FOLLOWING CONSTRUCTION.
- STAGING AREA SHALL BE STABILIZED PRIOR TO OTHER OPERATIONS ON THE SITE.
- THE STABILIZED STAGING AREA SHALL CONSIST OF A MINIMUM 3" THICK GRANULAR MATERIAL.
- UNLESS OTHERWISE SPECIFIED BY LOCAL JURISDICTION, ROCK SHALL CONSIST OF DOT SECT. #703, AASHTO #3 COARSE AGGREGATE OR 6" (MINUS) ROCK.
- ADDITIONAL PERIMETER BMPs MAY BE REQUIRED INCLUDING BUT NOT LIMITED TO SILT FENCE AND CONSTRUCTION FENCING.

**STABILIZED STAGING AREA MAINTENANCE NOTES**

- INSPECT BMPs EACH WORKDAY, AND MAINTAIN THEM IN EFFECTIVE OPERATING CONDITION. MAINTENANCE OF BMPs SHOULD BE PROACTIVE, NOT REACTIVE. INSPECT BMPs AS SOON AS POSSIBLE (AND ALWAYS WITHIN 24 HOURS) FOLLOWING A STORM THAT CAUSES SURFACE EROSION, AND PERFORM NECESSARY MAINTENANCE.
- FREQUENT OBSERVATIONS AND MAINTENANCE ARE NECESSARY TO MAINTAIN BMPs IN EFFECTIVE OPERATING CONDITION. INSPECTIONS AND CORRECTIVE MEASURES SHOULD BE DOCUMENTED THOROUGHLY.
- WHERE BMPs HAVE FAILED, REPAIR OR REPLACEMENT SHOULD BE INITIATED UPON DISCOVERY OF THE FAILURE.
- ROCK SHALL BE REAPPLIED OR REGRADED AS NECESSARY IF RUTTING OCCURS OR UNDERLYING SUBGRADE BECOMES EXPOSED.



**STABILIZED STAGING AREA INSTALLATION NOTES**

- SEE PLAN VIEW FOR:
  - LOCATION OF STAGING AREA(S).
  - CONTRACTOR MAY ADJUST LOCATION AND SIZE OF STAGING AREA WITH APPROVAL FROM THE LOCAL JURISDICTION.
- STABILIZED STAGING AREA SHOULD BE APPROPRIATE FOR THE NEEDS OF THE SITE. OVERSIZING RESULTS IN A LARGER AREA TO STABILIZE FOLLOWING CONSTRUCTION.
- STAGING AREA SHALL BE STABILIZED PRIOR TO OTHER OPERATIONS ON THE SITE.
- THE STABILIZED STAGING AREA SHALL CONSIST OF A MINIMUM 3" THICK GRANULAR MATERIAL.
- UNLESS OTHERWISE SPECIFIED BY LOCAL JURISDICTION, ROCK SHALL CONSIST OF DOT SECT. #703, AASHTO #3 COARSE AGGREGATE OR 6" (MINUS) ROCK.
- ADDITIONAL PERIMETER BMPs MAY BE REQUIRED INCLUDING BUT NOT LIMITED TO SILT FENCE AND CONSTRUCTION FENCING.

**STABILIZED STAGING AREA MAINTENANCE NOTES**

- INSPECT BMPs EACH WORKDAY, AND MAINTAIN THEM IN EFFECTIVE OPERATING CONDITION. MAINTENANCE OF BMPs SHOULD BE PROACTIVE, NOT REACTIVE. INSPECT BMPs AS SOON AS POSSIBLE (AND ALWAYS WITHIN 24 HOURS) FOLLOWING A STORM THAT CAUSES SURFACE EROSION, AND PERFORM NECESSARY MAINTENANCE.
- FREQUENT OBSERVATIONS AND MAINTENANCE ARE NECESSARY TO MAINTAIN BMPs IN EFFECTIVE OPERATING CONDITION. INSPECTIONS AND CORRECTIVE MEASURES SHOULD BE DOCUMENTED THOROUGHLY.
- WHERE BMPs HAVE FAILED, REPAIR OR REPLACEMENT SHOULD BE INITIATED UPON DISCOVERY OF THE FAILURE.
- ROCK SHALL BE REAPPLIED OR REGRADED AS NECESSARY IF RUTTING OCCURS OR UNDERLYING SUBGRADE BECOMES EXPOSED.

Project No. 14028
Date: JULY 29, 2018
Design: RNW
Drawn: EAK
Check: RNW
Revisions:

