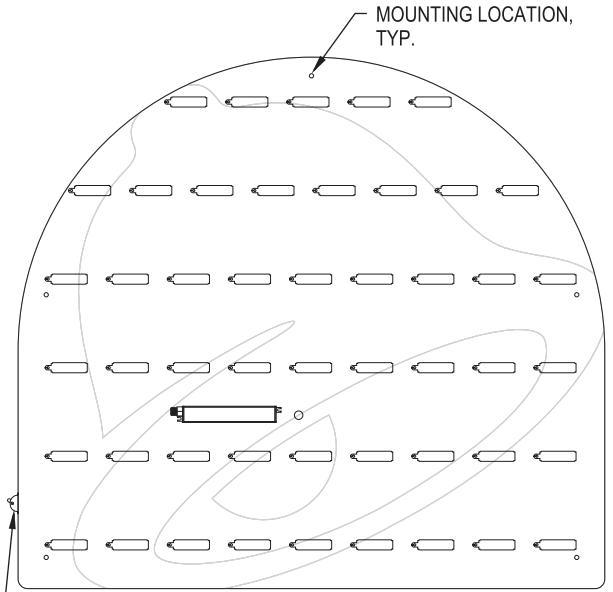
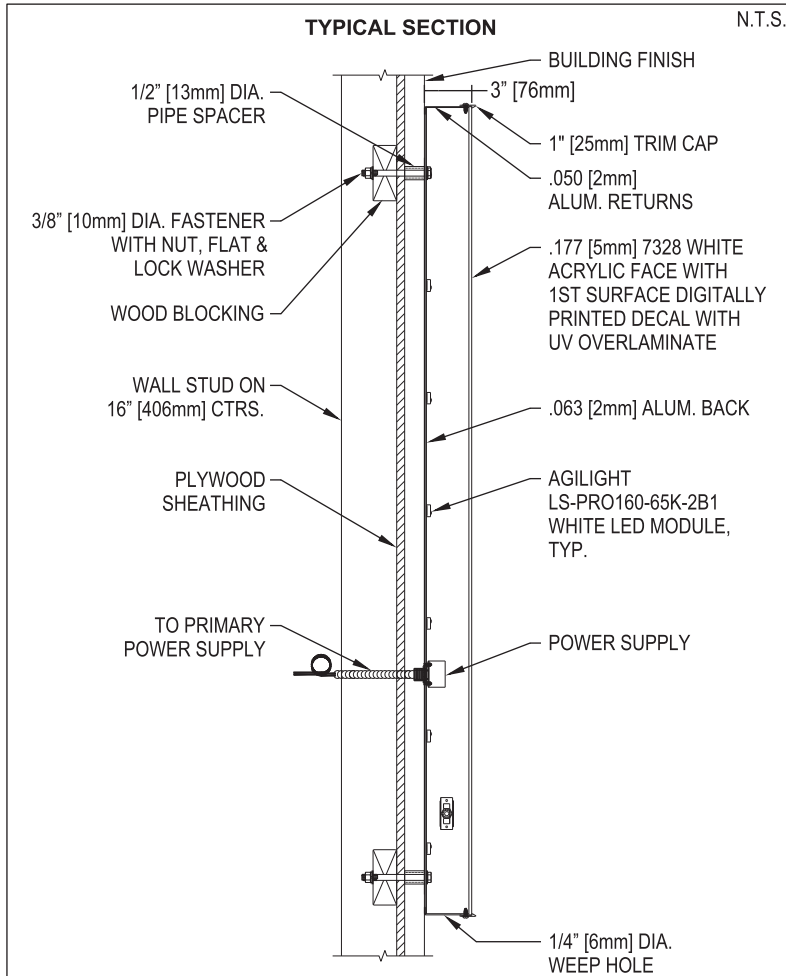


**FRONT VIEW**



**ILLUMINATION LAYOUT**

LED quantities and spacing may vary based on system used.



**SPECIFICATIONS**

- DESIGN PARAMETERS**
- Structural adequacy shall be the manufacturer's responsibility using the following criteria:
  - 100 MPH 3 second gust wind speed per ASCE 7-05 (130 MPH - ASCE 7-10). Category II, Exposure C. Components & Cladding, Zone 5.
  - Attachment may vary based on wall conditions.
  - Compliant with national building codes and standards (IBC 2009, IBC 2012, AISC 14th Edition, ASCE 7-05, ASCE 7-10, ACI & Aluminum Design Manual).
  - Refer to written documentation for material specifications.

- Materials**
- Cabinet: .050 [2mm] aluminum returns w/ black finish
  - .063 [2mm] aluminum back
  - 1" [25mm] black trim cap
  - Face: .177 [5mm] 7328 white acrylic with 1st surface digitally printed decal with UV overlaminate

- Area**
- Squared: 13.53 sf • Actual: 11.92 sf

- ELECTRICAL/ PERFORMANCE SPECIFICATIONS**
- UL & NEC approval required
  - 12V, Class II UL approved system
  - If alternate LED's are used:
    - 50,000 hour system where no greater than 30% lumen depreciation is experienced at 50K hours
    - Thermally managed surface mount devices (SMD)

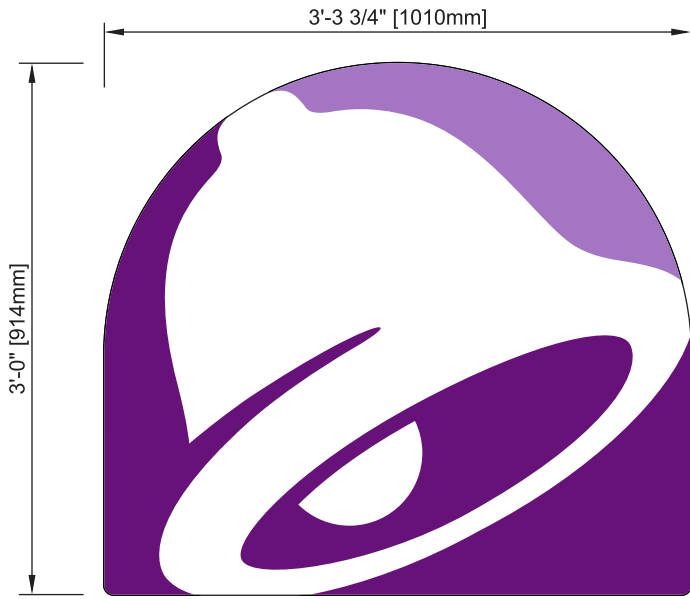
LED(s): (49) AgiLight LS-PRO160-65K-2B1 White (6500K) LEDs (25 ft) or equivalent - pre-approval required  
 Power Supply: (1) 12V/60W LED Power Supply @ 0.9 amps  
 Total Load: 0.9 amps  
 Circuits(s): (1) 20 amp-120V

**GRAPHIC & COLOR SPECIFICATIONS:**

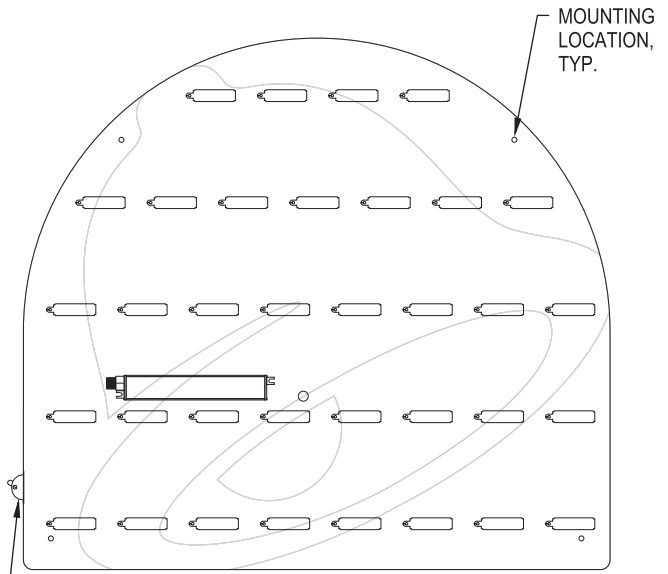
COLOR	PANTONE	PAINT
① Dark Purple	PMS 2603C	
② Light Purple	PMS 2577C	
③ Black	Pantone Black	
④ White	Pantone White 3M 3630-20	SW2123
⑤ TB Bronze Tiger Drylac	49-66230 C33	

SEAL ALL WALL PENETRATIONS TO PREVENT WATER INTRUSION AS FOLLOWS: INSTALL BUSHING AFTER E.I.F.S. APPLICATION HAS HARDENED. DRILL HOLE SLIGHTLY LARGER THAN BUSHING THROUGH INSULATION ONLY. STOP AT PLYWOOD. CAULK OPENING PRIOR TO INSERTING FASTENER TO SEAL PENETRATION.

NOT FOR CONSTRUCTION  
DECEMBER 2016



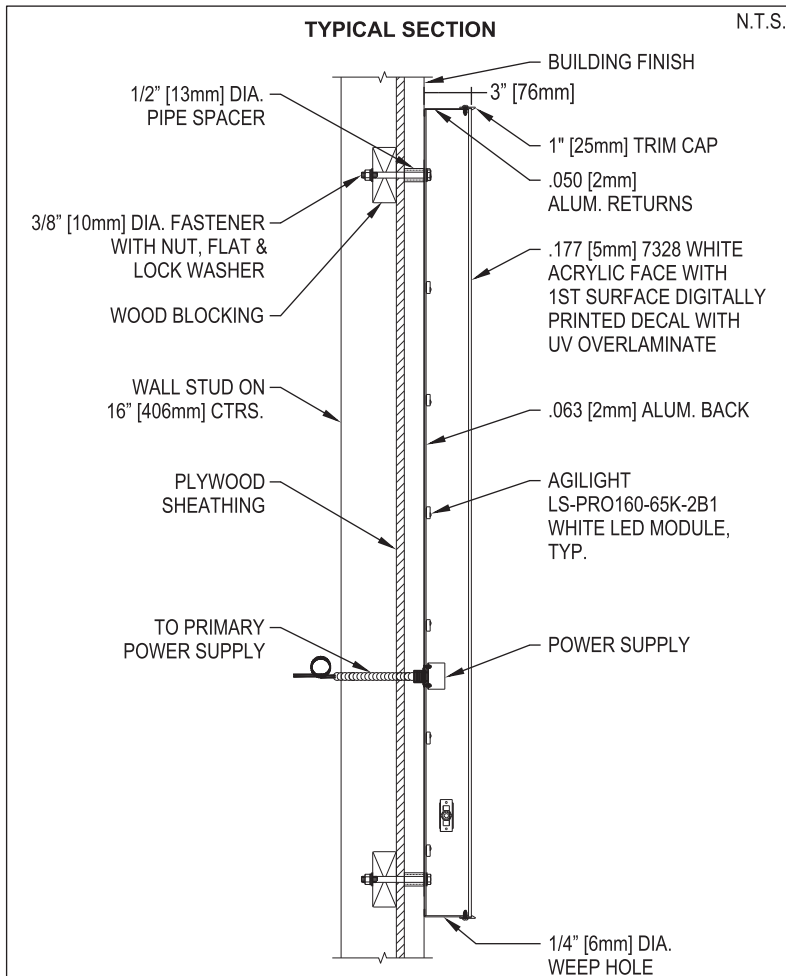
**FRONT VIEW**



**ILLUMINATION LAYOUT**

LED quantities and spacing may vary based on system used.

DISCONNECT SWITCH



SEAL ALL WALL PENETRATIONS TO PREVENT WATER INTRUSION AS FOLLOWS: INSTALL BUSHING AFTER E.I.F.S. APPLICATION HAS HARDENED. DRILL HOLE SLIGHTLY LARGER THAN BUSHING THROUGH INSULATION ONLY. STOP AT PLYWOOD. CAULK OPENING PRIOR TO INSERTING FASTENER TO SEAL PENETRATION.

**SPECIFICATIONS**

**DESIGN PARAMETERS**

- Structural adequacy shall be the manufacturer's responsibility using the following criteria:
- 100 MPH 3 second gust wind speed per ASCE 7-05 (130 MPH - ASCE 7-10), Category II, Exposure C. Components & Cladding, Zone 5.
- Attachment may vary based on wall conditions.
- Compliant with national building codes and standards (IBC 2009, IBC 2012, AISC 14th Edition, ASCE 7-05, ASCE 7-10, ACI & Aluminum Design Manual).
- Refer to written documentation for material specifications.

**Materials**

- Cabinet: .050 [2mm] aluminum returns w/ black finish
- .063 [2mm] aluminum back
- 1" [25mm] black trim cap
- Face: .177 [5mm] 7328 white acrylic with 1st surface digitally printed decal with UV overlaminate

**Area**

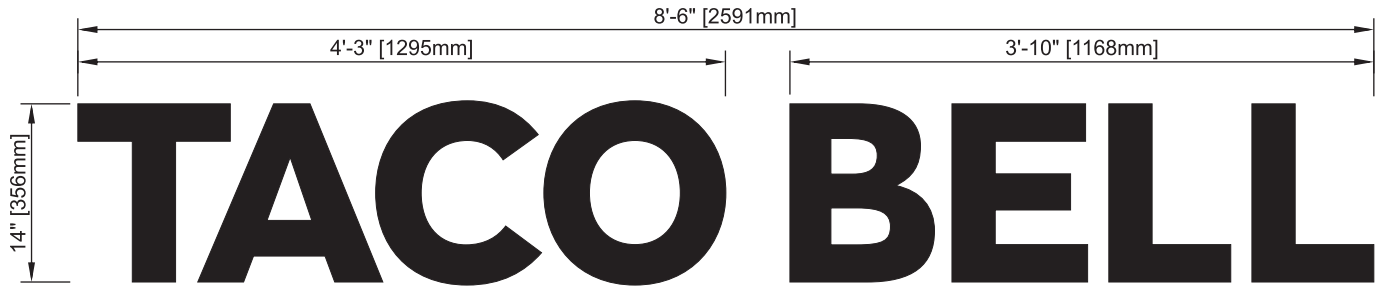
- Squared: 9.94 sf • Actual: 8.76 sf

**ELECTRICAL/ PERFORMANCE SPECIFICATIONS**

- UL & NEC approval required
- 12V, Class II UL approved system
- If alternate LED's are used:
  - 50,000 hour system where no greater than 30% lumen depreciation is experienced at 50K hours
  - Thermally managed surface mount devices (SMD)

LED(s): (35) AgiLight LS-PRO160-65K-2B1 White (6500K) LEDs (18 ft) or equivalent - pre-approval required  
 Power Supply: (1) 12V/60W LED Power Supply @ 0.9 amps  
 Total Load: 0.9 amps  
 Circuits(s): (1) 20 amp-120V

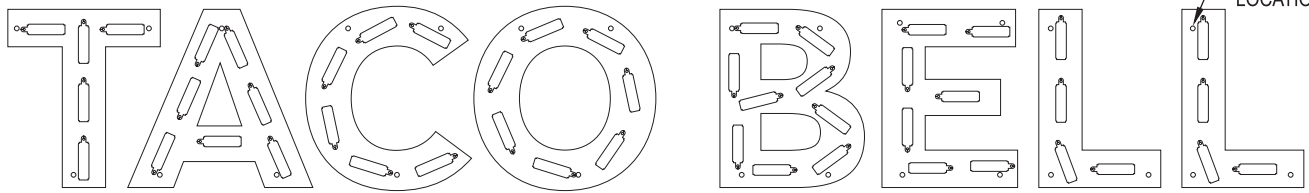
GRAPHIC & COLOR SPECIFICATIONS:			
COLOR	PANTONE	PAINT	
① Dark Purple	PMS 2603C		
② Light Purple	PMS 2577C		
③ Black	Pantone Black		
④ White	Pantone White 3M 3630-20		SW2123
⑤ TB Bronze Tiger Drylac	49-66230 C33		



**FRONT VIEW - DAY TIME**

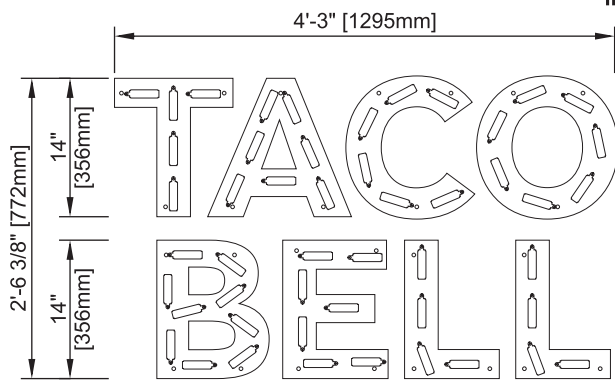


**NIGHT TIME VIEW**

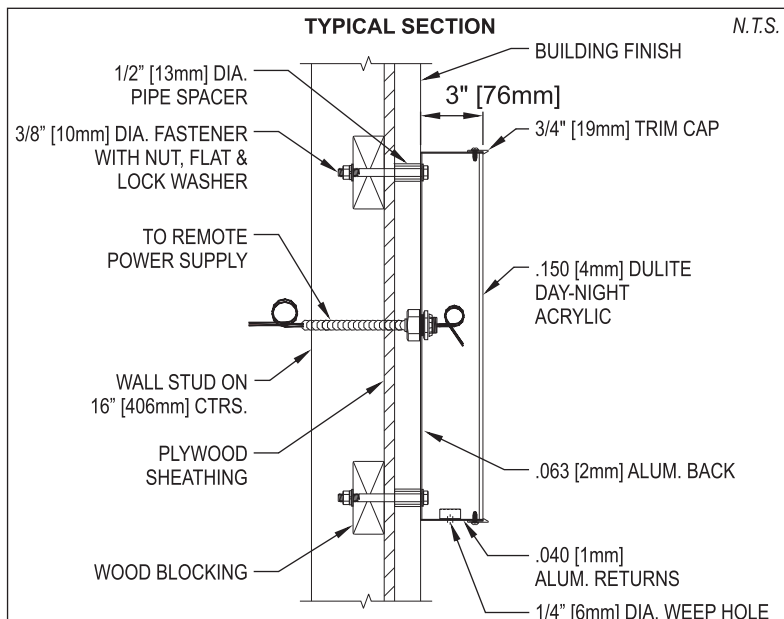


**ILLUMINATION LAYOUT**

*LED quantities and spacing may vary based on system used.*



**ALTERNATE LAYOUT CONFIGURATION**



**SEAL ALL WALL PENETRATIONS TO PREVENT WATER INTRUSION AS FOLLOWS: INSTALL BUSHING AFTER E.I.F.S. APPLICATION HAS HARDENED. DRILL HOLE SLIGHTLY LARGER THAN BUSHING THROUGH INSULATION ONLY. STOP AT PLYWOOD. CAULK OPENING PRIOR TO INSERTING FASTENER TO SEAL PENETRATION.**

**SPECIFICATIONS**

**DESIGN PARAMETERS**

- Structural adequacy shall be the manufacturer's responsibility using the following criteria:
- 100 MPH 3 second gust wind speed per ASCE 7-05 (130 MPH - ASCE 7-10). Category II, Exposure C. Components & Cladding, Zone 5.
- Attachment may vary based on wall conditions.
- Compliant with national building codes and standards (IBC 2009, IBC 2012, AISC 14th Edition, ASCE 7-05, ASCE 7-10, ACI & Aluminum Design Manual).
- Refer to written documentation for material specifications.

**Materials**

- Cabinet: .040 [1mm] aluminum returns w/ black finish and .063 aluminum back
- 3/4" [19mm] black trim cap
- Face: .150 [4mm] DuLite Day-Night Acrylic
- Removable face

**Area**

- Squared: 9.92 sf • Actual: 5.17 sf

**ELECTRICAL/ PERFORMANCE SPECIFICATIONS**

- UL & NEC approval required
- 12V, Class II UL approved system
- If alternate LED's are used:
  - 50,000 hour system where no greater than 30% lumen depreciation is experienced at 50K hours
  - Thermally managed surface mount devices (SMD)

LED(s): (49) AgiLight LS-PRO160-65K-2B1 White (6500K) LEDs (25 ft) or equivalent - pre-approval required

Power Supply: (1) 12V/60W LED Power Supply @ 0.9 amps - Remotely Located

Total Load: 0.9 amps

Circuits(s): (1) 20 amp-120V

**GRAPHIC & COLOR SPECIFICATIONS:**

COLOR	PANTONE	PAINT
① Dark Purple	PMS 2603C	
② Light Purple	PMS 2577C	
③ Black	Pantone Black	
④ White	Pantone White 3M 3630-20	SW2123
⑤ TB Bronze Tiger	Drylac 49-6230 C33	