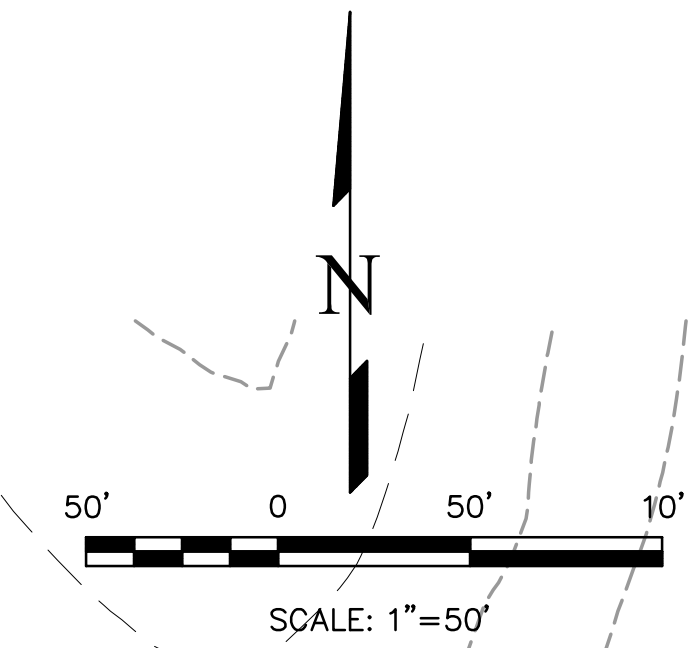
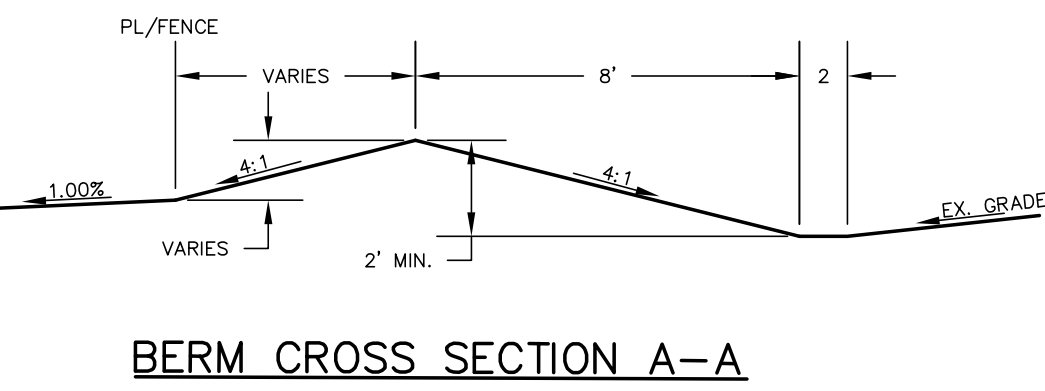


MVEA YODER SUBSTATION

EL PASO COUNTY

SITE PLAN

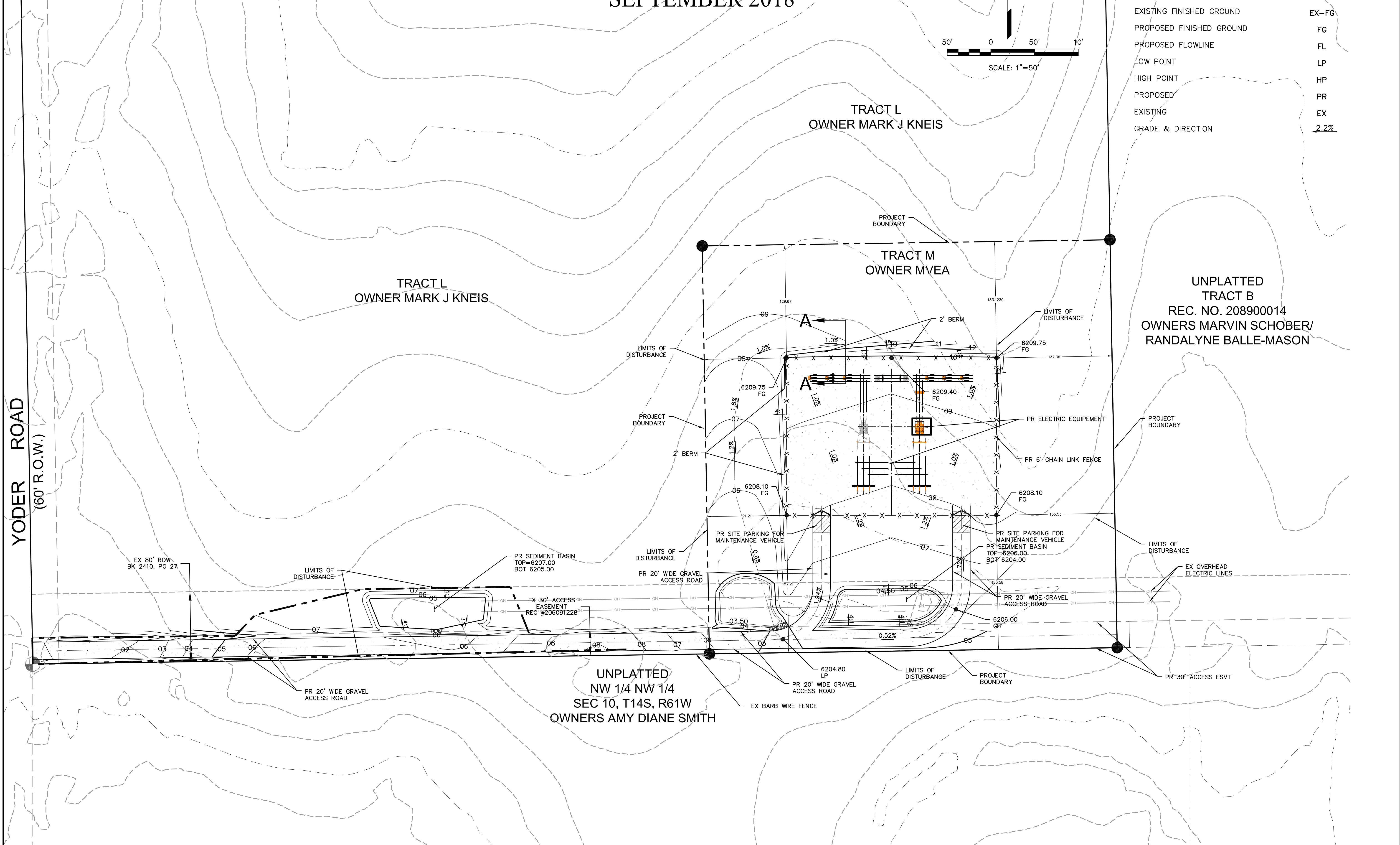
SEPTEMBER 2018



LEGEND

EXISTING CONTOURS - MINOR	---	6132
EXISTING CONTOURS - MAJOR	---	6130
PROPOSED CONTOURS - MINOR	---	6132
PROPOSED CONTOURS - MAJOR	---	6130
LIMITS OF CONSTRUCTION	---	---
EXISTING FINISHED GROUND	---	EX-FG
PROPOSED FINISHED GROUND	---	FG
PROPOSED FLOWLINE	---	FL
LOW POINT	---	LP
HIGH POINT	---	HP
PROPOSED	---	PR
EXISTING	---	EX
GRADE & DIRECTION	---	2.2%

YODER ROAD
(60' R.O.W.)



REVISIONS	NO.	DESCRIPTION	DATE
UNTIL SUCH TIME AS THESE DRAWINGS ARE APPROVED BY THE REVIEWING AGENCIES, TERRA NOVA ENGINEERING, INC. APPROVES THEIR USE ONLY FOR THE PROJECT AND PURPOSE STATED BY WRITTEN AUTHORIZATION.			

PREPARED FOR:
MVEA
 ATTN: DAVID WALDNER
 11140 E. WOODMAN RD.
 PEYTON, CO 80931
 719-495-2283

721 S. 2900 STREET
 COLORADO SPRINGS, CO 80904
 OFFICE: 719-635-6422
 FAX: 719-635-6426
 www.tnaseinc.com

MVEA YODER SUBSTATION

SITE PLAN

DESIGNED BY QNA
 DRAWN BY QNA
 CHECKED BY
 H-SCALE 1"=50'
 V-SCALE NA
 JOB NO. 1802.00
 DATE ISSUED 9/18/18
 SHEET NO. 1 OF 1