



1-800-922-1987

CLEAR VIEW INDUSTRIAL PARK, FILING 2A

GRADING, STORM AND EROSION CONTROL PLANS

THE LOCATIONS OF EXISTING ABOVE GROUND AND UNDERGROUND UTILITIES ARE SHOWN IN AN APPROXIMATE WAY ONLY. THE CONTRACTOR SHALL DETERMINE THE EXACT LOCATION OF ALL EXISTING UTILITIES BEFORE COMMENCING WORK. THE CONTRACTOR SHALL BE FULLY RESPONSIBLE FOR ANY AND ALL DAMAGES WHICH MIGHT BE CAUSED BY HIS FAILURE TO EXACTLY LOCATE AND PRESERVE ANY AND ALL ABOVE GROUND AND UNDERGROUND UTILITIES.



VICINITY MAP
N.T.S.

El Paso County:

County plan review is provided only for general conformance with County Design Criteria. The County is not responsible for the accuracy and adequacy of the design, dimensions, and/ or elevations which shall be confirmed at the job site. The County through the approval of this document assumes no responsibility for completeness and/ or accuracy of this document.

Filed in accordance with the requirements of the El Paso County Land Development Code, Drainage Criteria Manual, Volumes 1 and 2, and Engineering Criteria Manual as amended.

In accordance with ECM Section 1.12, these construction documents will be valid for construction for a period of 2 years from the date signed by the El Paso County Engineer. If construction has not started within those 2 years, the plans will need to be resubmitted for approval, including payment of review fees at the Planning and Community Development Directors discretion.

County Project Engineer Signature _____ Date _____

Revise to:
Jennifer Irvine, P.E.
County Engineer/ECM Administrator

Owner/Developer's Statement:

I, the owner/developer have read and will comply with the requirements of the grading and erosion control plan and all of the requirements specified in these detailed plans and specifications.

Kevin J. Ferguson, Manager (Lots 1A, 2A, 4A) _____ Date _____
Clear View Properties I, LLC
9720 Arroya Lane
Colorado Springs, CO 80908

Owner/Developer's Statement:

I, the owner/developer have read and will comply with the requirements of the grading and erosion control plan and all of the requirements specified in these detailed plans and specifications.

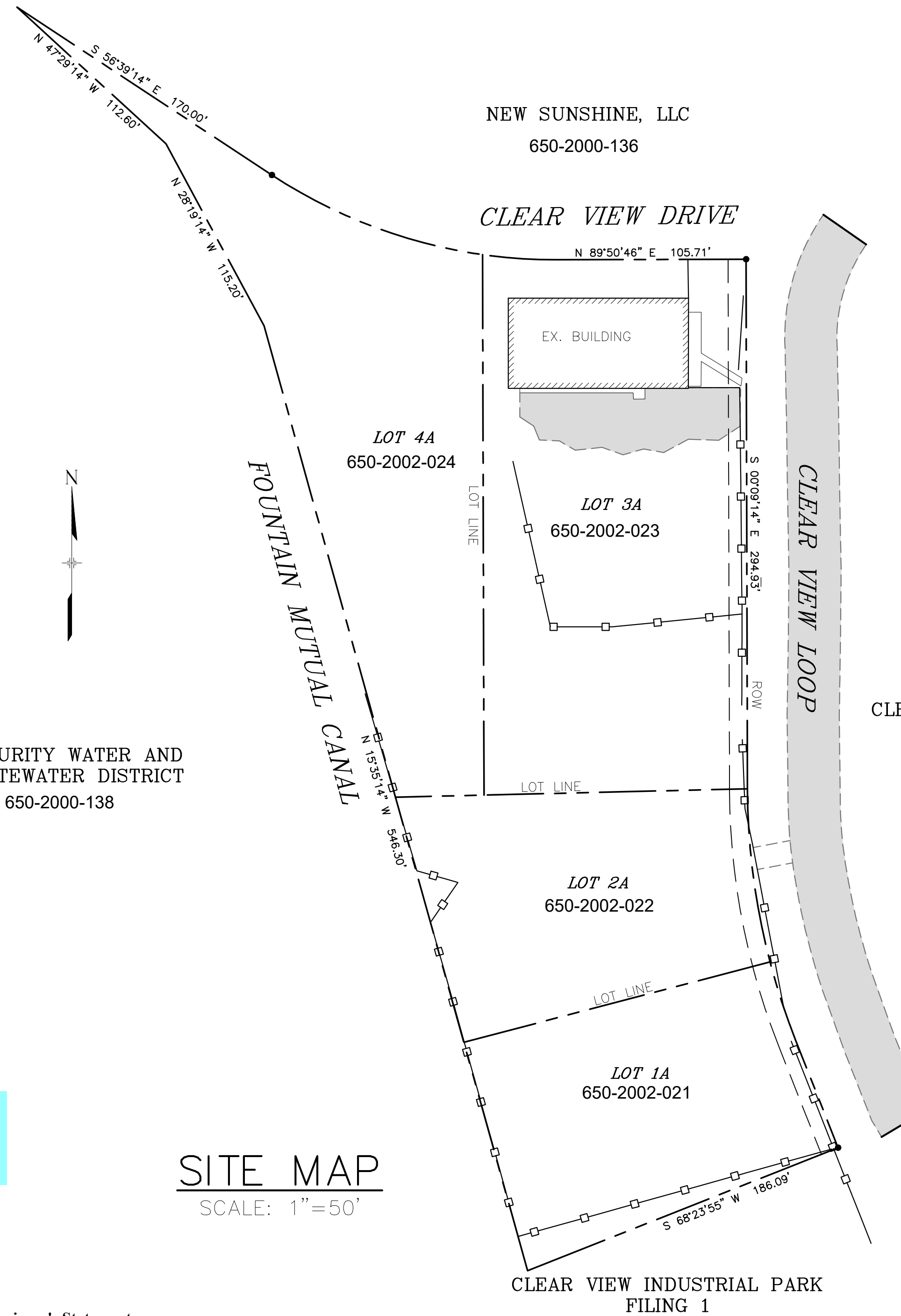
Robert C. Bullard, Manager (Lot 3A) _____ Date _____
Dilligaf Leasing, LLC
3950 Clear View Loop
Colorado Springs, CO 80911

SECURITY WATER AND
WASTEWATER DISTRICT
650-2000-138

Design Engineer's Statement:

These detailed plans and specifications were prepared under my direction and supervision. Said plans and specifications have been prepared according to the criteria established by the County for detailed roadway, drainage, grading and erosion control plans and specifications, and said plans and specifications are in conformity with applicable master drainage plans and master transportation plans. Said plans and specifications meet the purposes for which the particular roadway and drainage facilities are designed and are correct to the best of my knowledge and belief. I accept responsibility for any liability caused by any negligent acts, errors or omissions on my part in preparation of these detailed plans and specifications.

Jonathan Moore, P.E. #34944 _____ Date _____
For and Behalf of CTR Engineering, Inc.



SITE MAP
SCALE: 1"=50'

NEW SUNSHINE, LLC
650-2000-136

CLEAR VIEW INDUSTRIAL PARK
FILING 1
650-2001-007

CLEAR VIEW INDUSTRIAL PARK
FILING 1
650-2002-002

INDEX OF SHEETS

TITLE SHEET	1
GENERAL NOTES	2
SITE PLAN (EXISTING)	3
SITE GRADING AND CROSS-SECTIONS	4
POND DETAILS	5
POND DETAILS (2)	6
STORM PLAN AND PROFILE	7
NYLOPLAST DETAILS	8
EROSION CONTROL PLAN	9
EROSION CONTROL DETAILS SF & MU	10
EROSION CONTROL DETAILS VTP	11
EROSION CONTROL DETAILS SCL	12
EROSION CONTROL DETAILS ECB (1)	13
EROSION CONTROL DETAILS ECB (2)	14
EROSION CONTROL DETAILS CWA	15

NO.	DATE	DESCRIPTION	BY
REVISIONS			
CTR Engineering, Inc.			
16392 TIMBER MEADOW DRIVE COLORADO SPRINGS, CO 80908 (719) 964-6654			
PROJECT: CLEAR VIEW INDUSTRIAL PARK FILING 2A			
BENCHMARK: Elevations are based upon FIMS monument DR02, a 2" aluminum cap, stamped "CSU FIMS CONTROL DR02", at the southeast corner of Monica Drive and Hancock Expressway (Elevation=5927.27 NGVD29)			
PROJECT TITLE: GRADING, WATER QUALITY POND AND EROSION CONTROL			
SHEET TITLE: TITLE SHEET			
DESIGNED BY: JCM	SCALE:	DATE ISSUED: MAY 2020	
DRAWN BY: JCM	JH:	SHEET NO. 1 OF 15 SHEETS	
CHECKED BY: JH	V:		
DWG: C:\Temp\CV\CAD\Grad\1 Title Sheet-Grad.dwg			

Add "PCD File No CDR208"



1-800-922-1987

CLEAR VIEW INDUSTRIAL PARK, FILING 2A

GRADING, STORM AND EROSION CONTROL PLANS

THE LOCATIONS OF EXISTING ABOVE GROUND AND UNDERGROUND UTILITIES ARE SHOWN IN AN APPROXIMATE WAY ONLY. THE CONTRACTOR SHALL DETERMINE THE EXACT LOCATION OF ALL EXISTING UTILITIES BEFORE COMMENCING WORK. THE CONTRACTOR SHALL BE FULLY RESPONSIBLE FOR ANY AND ALL DAMAGES WHICH MIGHT BE CAUSED BY HIS FAILURE TO EXACTLY LOCATE AND PRESERVE ANY AND ALL ABOVE GROUND AND UNDERGROUND UTILITIES.

STANDARD NOTES FOR EL PASO COUNTY GRADING AND EROSION CONTROL PLANS

1	Stormwater discharges from construction sites shall not cause or threaten to cause pollution, contamination, or degradation of State Waters. All work and earth disturbance shall be done in a manner that minimizes pollution of any on-site or off-site waters, including wetlands.
2	Notwithstanding anything depicted in these plans in words or graphic representation, all design and construction related to roads, storm drainage and erosion control shall conform to the standards and requirements of the most recent version of the relevant adopted El Paso County standards, including the Land Development Code, the Engineering Criteria Manual, the Drainage Criteria Manual, and the Drainage Criteria Manual Volume 2. Any deviations from regulations and standards must be requested, and approved, in writing.
3	A separate Stormwater Management Plan (SMMP) for this project shall be completed and an Erosion and Stormwater Quality Control Permit (ESQCP) issued prior to commencing construction. Management of the SMMP during construction is the responsibility of the designated Qualified Stormwater Manager or Certified Erosion Control Inspector. The SMMP shall be located on site at all times during construction and shall be kept up to date with work progress and changes in the field.
4	Once the ESQCP is approved and a "Notice to Proceed" has been issued, the contractor may install the initial stage erosion and sediment control measures as indicated on the approved GEC. A Preconstruction Meeting between the contractor, engineer, and El Paso County will be held prior to any construction. It is the responsibility of the applicant to coordinate the meeting time and place with County staff.
5	Control measures must be installed prior to commencement of activities that could contribute pollutants to stormwater. Control measures for all slopes, channels, ditches, and disturbed land areas shall be installed immediately upon completion of the disturbance.
6	All temporary sediment and erosion control measures shall be maintained and remain in effective operating condition until permanent soil erosion control measures are implemented and final stabilization is established. All persons engaged in land disturbance activities shall assess the adequacy of control measures at the site and identify if changes to those control measures are needed to ensure the continued effective performance of the control measures. All changes to temporary sediment and erosion control measures must be incorporated into the Stormwater Management Plan.
7	Temporary stabilization shall be implemented on disturbed areas and stockpiles where ground disturbing construction activity has permanently ceased or temporarily ceased for longer than 14 days.
8	Final stabilization must be implemented at all applicable construction sites. Final stabilization is achieved when all ground disturbing activities are complete and all disturbed areas either have a uniform vegetative cover with individual plant density of 70 percent of pre-disturbance levels established or equivalent permanent alternative stabilization method is implemented. All temporary sediment and erosion control measures shall be removed upon final stabilization and before permit closure.
9	All permanent stormwater management facilities shall be installed as designed in the approved plans. Any proposed changes that affect the design or function of permanent stormwater management structures must be approved by the ECM Administrator prior to implementation.
10	Earth disturbances shall be conducted in such a manner so as to effectively minimize accelerated soil erosion and resulting sedimentation. All disturbances shall be designed, constructed, and completed so that the exposed area of any disturbed land shall be limited to the shortest practical period of time. Pre-existing vegetation shall be protected and maintained within 50 horizontal feet of a waters of the state unless shown to be infeasible and specifically requested and approved.

11	Compaction of soil must be prevented in areas designated for infiltration control measures or where final stabilization will be achieved by vegetative cover. Areas designated for infiltration control measures shall also be protected from sedimentation during construction until final stabilization is achieved. If compaction prevention is not feasible due to site constraints, all areas designated for infiltration and vegetation control measures must be loosened prior to installation of the control measure(s).
12	Any temporary or permanent facility designed and constructed for the conveyance of stormwater around, through, or from the earth disturbance area shall be a stabilized conveyance designed to minimize erosion and the discharge of sediment off site.
13	Concrete wash water shall be contained and disposed of in accordance with the SWMP. No wash water shall be discharged to or allowed to enter State Waters, including any surface or subsurface storm drainage system or facilities. Concrete washouts shall not be located in an area where shallow groundwater may be present, or within 50 feet of a surface water body, creek or stream.
14	During dewatering operations of uncontaminated ground water may be discharged on site, but shall not leave the site in the form of surface runoff unless an approved State dewatering permit is in place.
15	Erosion control blanketing or other protective covering shall be used on slopes steeper than 3:1.
16	Contractor shall be responsible for the removal of all wastes from the construction site for disposal in accordance with local and State regulatory requirements. No construction debris, tree slash, building material wastes or unused building materials shall be buried, dumped, or discharged at the site.
17	Waste materials shall not be temporarily placed or stored in the street, alley, or other public way, unless in accordance with an approved Traffic Control Plan. Control measures may be required by El Paso County Engineering if deemed necessary, based on specific conditions and circumstances.
18	Tracking of soils and construction debris off-site shall be minimized. Materials tracked off-site shall be cleaned up and properly disposed of immediately.
19	The owner/developer shall be responsible for the removal of all construction debris, dirt, trash, rock, sediment, soil, and sand that may accumulate in roads, storm drains and other drainage conveyance systems and stormwater appurtenances as a result of site development.
20	The quantity of materials stored on the project site shall be limited, as much as practical, to that quantity required to perform the work in an orderly sequence. All materials stored on-site shall be stored in a neat, orderly manner, in their original containers, with original manufacturer's labels.
21	No chemical(s) having the potential to be released in stormwater are to be stored or used onsite unless permission for the use of such chemical(s) is granted in writing by the ECM Administrator. In granting approval for the use of such chemical(s), special conditions and monitoring may be required.
22	Bulk storage of allowed petroleum products or other allowed liquid chemicals in excess of 55 gallons shall require adequate secondary containment protection to contain all spills onsite and to prevent any spilled materials from entering State Waters, any surface or subsurface storm drainage system or other facilities.
23	No person shall cause the impediment of stormwater flow in the curb and gutter or ditch except with approved sediment control measures.

24	Owner/developer and their agents shall comply with the "Colorado Water Quality Control Act" (Title 25, Article 8, CRS), and the "Clean Water Act" (33 USC 1344), in addition to the requirements of the Land Development Code, DCM Volume II and the ECM Appendix I. All appropriate permits must be obtained by the contractor prior to construction (1041, NPDES, Floodplain, 404, fugitive dust, etc.). In the event of conflicts between these requirements and other laws, rules, or regulations of other Federal, State, local, or County agencies, the most restrictive laws, rules, or regulations shall apply.
25	All construction traffic must enter/exit the site only at approved construction access points.
26	Prior to construction the permittee shall verify the location of existing utilities.
27	A water source shall be available on site during earthwork operations and shall be utilized as required to minimize dust from earthwork equipment and wind.
28	The soils report for this site has been prepared by _____ and shall be considered a part of these plans.
29	At least ten (10) days prior to the anticipated start of construction, for projects that will disturb one (1) acre or more, the owner or operator of construction activity shall submit a permit application for stormwater discharge to the Colorado Department of Public Health and Environment, Water Quality Division. The application contains certification of completion of a stormwater management plan (SWMP), of which this Grading and Erosion Control Plan may be a part. For information or application materials contact: Colorado Department of Public Health and Environment Water Quality Control Division WQCD - Permits 4300 Cherry Creek Drive South Denver, CO 80246-1530 Attn: Permits Unit

NO.	DATE	DESCRIPTION	BY
REVISIONS			
CTR Engineering, Inc.			
16392 TIMBER MEADOW DRIVE COLORADO SPRINGS, CO 80908 (719) 964-6654			
PROJECT: CLEAR VIEW INDUSTRIAL PARK FILING 2A			
BENCHMARK: Elevations are based upon FIMS monument DR02, a 2" aluminum cap, stamped "CSU FIMS CONTROL DR02", at the southeast corner of Monica Drive and Hancock Expressway (Elevation=5927.27 NGVD29)			
PROJECT TITLE: GRADING, WATER QUALITY POND AND EROSION CONTROL			
SHEET TITLE: GENERAL NOTES			
DESIGNED BY: JCM	SCALE:	DATE ISSUED: MAY 2020	
DRAWN BY: JCM	HH:		
CHECKED BY: JH	V:	SHEET NO. 2 OF 15 SHEETS	
DWG: C:\Temp\CV\CAD\Grad\2 GENERAL NOTES.dwg			

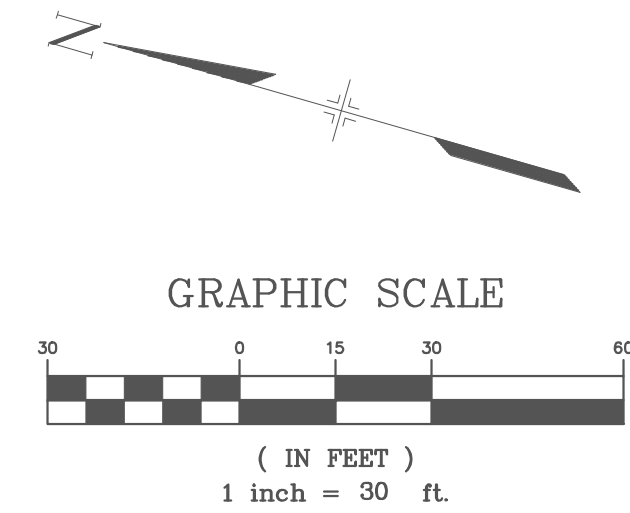
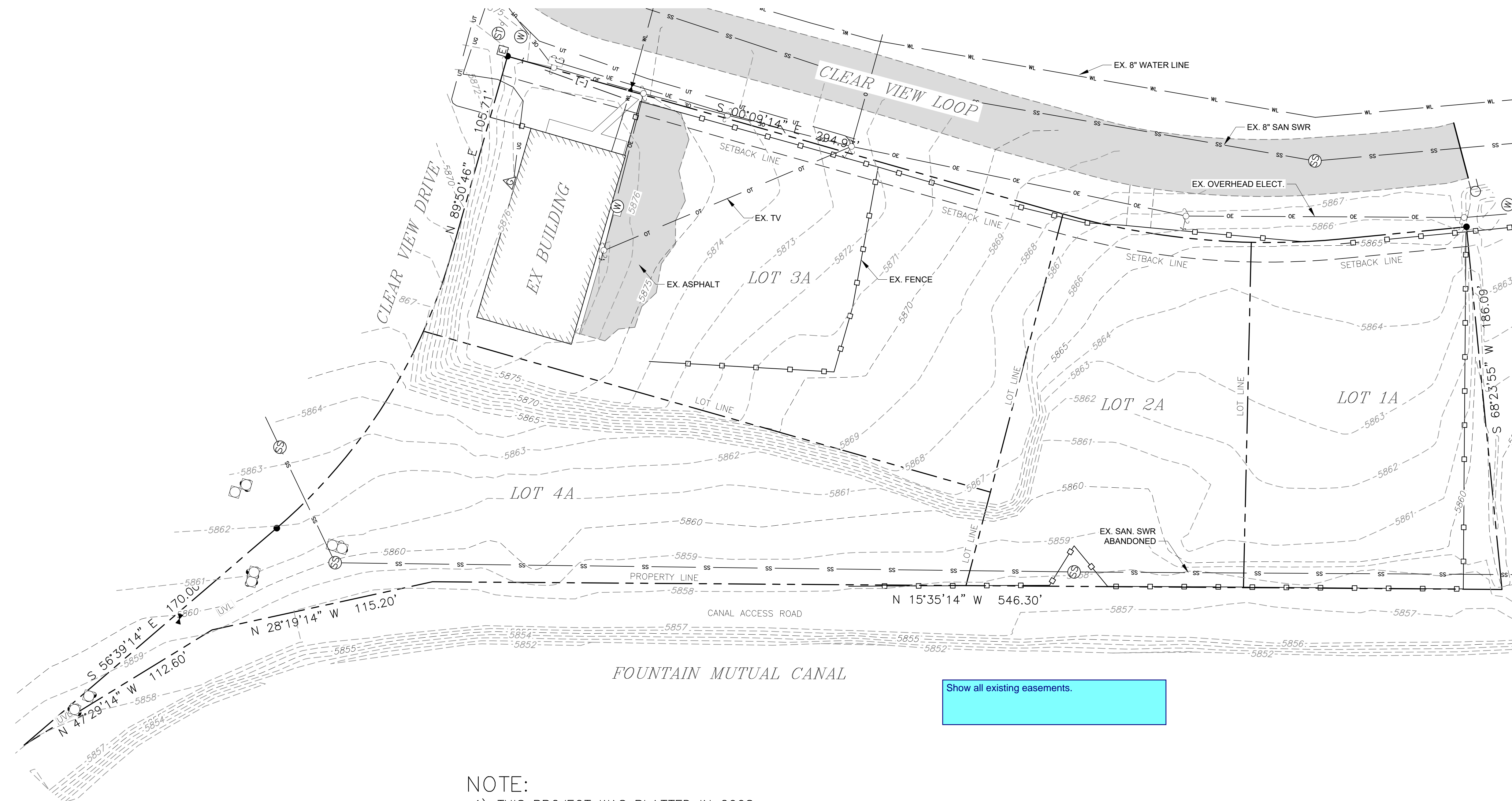


1-800-922-1987

CLEAR VIEW INDUSTRIAL PARK, FILING 2A

GRADING, STORM AND EROSION CONTROL PLANS

THE LOCATIONS OF EXISTING ABOVE GROUND AND UNDERGROUND UTILITIES ARE SHOWN IN AN APPROXIMATE WAY ONLY. THE CONTRACTOR SHALL DETERMINE THE EXACT LOCATION OF ALL EXISTING UTILITIES BEFORE COMMENCING WORK. THE CONTRACTOR SHALL BE FULLY RESPONSIBLE FOR ANY AND ALL DAMAGES WHICH MIGHT BE CAUSED BY HIS FAILURE TO EXACTLY LOCATE AND PRESERVE ANY AND ALL ABOVE GROUND AND UNDERGROUND UTILITIES.



LEGEND

- EXISTING CONTOURS
- EXISTING FENCE
- EXISTING LOTS LINES

NO.	DATE	DESCRIPTION	BY
REVISIONS			

CTR Engineering, Inc.

16392 TIMBER MEADOW DRIVE
COLORADO SPRINGS, CO 80908
(719) 964-6654

PROJECT: CLEAR VIEW INDUSTRIAL PARK FILING 2A

BENCHMARK: Elevations are based upon FIMS monument DR02, a 2" aluminum cap, stamped "CSU FIMS CONTROL DR02", at the southeast corner of Monica Drive and Hancock Expressway (Elevation=5927.27 NGVD29)

PROJECT TITLE: GRADING, WATER QUALITY POND AND EROSION CONTROL

SHEET TITLE: EXISTING SITE PLAN

DESIGNED BY: JCM SCALE: DATE ISSUED: MAY 2020
DRAWN BY: JCM H: 1"=40' V: SHEET NO. 3 OF 15 SHEETS
CHECKED BY: JH

DWG:

NOTE:

- 1) THIS PROJECT WAS PLATTED IN 2008
- 2) APPROXIMATELY \$60,000 OF WATER QUALITY ASSURANCE IMPROVEMENTS WAS POSTED AT TIME OF PLATTING IN 2008
- 3) LOT 3A CONTAINS THE ONLY EXISTING BUILDING
- 4) LOT 4A WILL **NO** CONTAIN THE WATER QUALITY POND AND NO BUILDINGS
- 5) LOT 1A AND 2A WILL BE DEVELOPED AT A LATER DATE
- 6) LOT 1A AND 2A WILL SUBMIT INDIVIDUAL SITE DEVELOPMENT PLANS ONCE THEY ARE SOLD TO A BUILDER
- 7) LOT 1A AND 2A WILL COMPLETE INDIVIDUAL SOILS/GEOTECHNICAL REPORTS AT TIME OF DEVELOPMENT

Fix. This is contradictory from the proposed design which locates a pond in Lot 4A for the overall subdivision.

Show all existing easements.

The study indicated that the traffic from the subdivision would contribute less than two percent to the total traffic at the nearby intersections with Hancock Expressway. Although all lots will have frontage onto dedicated public right-of-way, one of the lots (Lot 4) is proposed to take access via an easement (across Lot 3) to Clearview Loop. Lot 4 has frontage onto Clearview Drive. Lot 4 may be allowed to take direct access to it if it is extended in the future.

Show all existing easements.

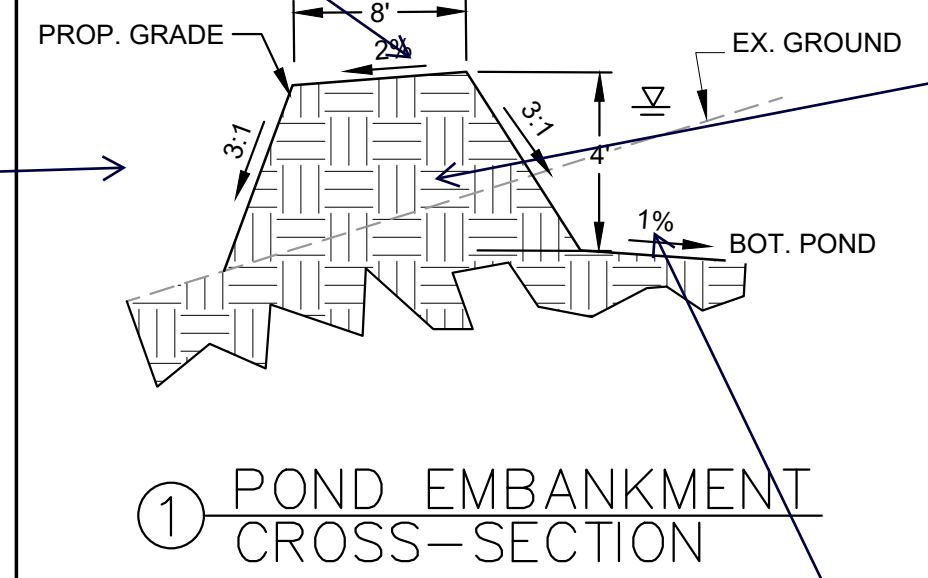
11.3.3 Embankment Structures

The width of the top of the embankment structure shall be a minimum of 12 feet for embankments less than 25 feet in height. Also, side slopes on embankment structures will vary with materials types used and shall be designed to produce a stable and easily maintained structure. A slope stability analysis shall be required on all Class 1 structures.

Revise access slope to drain towards the pond

Revise embankment width to a minimum 12' per DCM 11.3.3

Update cross section to show the property line and dimension label to the property line.



Submit a geotech recommendation for the embankment design (DCM 11.3.3) and identify the required compaction for the embankment.

A geotechnical analysis and report prepared by a Colorado Professional Engineer with recommendations for the foundation preparation and embankment construction shall be submitted to the City/County Engineer with the complete design analysis for all permanent detention facilities.

Revise pond bottom to 3%.

provide major contour labels.

Provide detail or call out maintenance access width and stabilized surfacing.

Revise to 12% per DCM 11.2.2

Adequate safety measures shall be provided with all detention facilities. A minimum 15-foot maintenance easement shall be provided around the perimeter of the impoundment and embankment areas. Access to the bottom of the pond from a public road shall be provided via a minimum 15-foot wide ramp at a slope no greater than twelve (12) percent.

Revise embankment grade

Provide a letter from Fountain Mutual Irrigation Co. confirming they have no objections to the proposed offsite improvements.

WARNING
THIS AREA IS A STORMWATER
FACILITY AND IS SUBJECT TO
PERIODIC FLOODING

DETENTION SIGN

NOTE:

- 1) POND DETAILS CAN BE FOUND ON SHEETS 5 AND 6
- 2) PROPOSED SWALES FOR LOTS 1A AND 2A ARE TEMPORARY
- 3) LOTS 1A AND 2A WILL BE OVER LOT GRADED ONCE THEY ARE DEVELOPED WITH A PARKING LOT THAT CONTAINS CURB AND GUTTER
- 4) LOTS 1A AND 2A WILL CONTAIN THEIR OWN SITE DEVELOPMENT AND DRAINAGE PLANS
- 5) THE OVERALL WATER QUALITY POND HAS BEEN DESIGN FOR ALL FOUR LOTS WITH THE CLEAR VIEW INDUSTRIAL PARK, FILING 2A
- 6) SIGNAGE - TOW SIGNS, EAH WITH A MINIMUM AREA OF 3 SQUARE FEET, SHALL BE PROVIDED AROUND THE PERIMETER OF ALL DETENTION FACILITIES. THE SIGNS SHALL BE FABRICATED OF DURABLE MATERIALS, SUCH AS METAL OR PLASTIC, USING RED LETTERING ON A WHITE BACKGROUND.

Proposed drainage way is in conflict with Lot 4A's access. See snippet to the right from the vacation/replat staff report (VA08004)

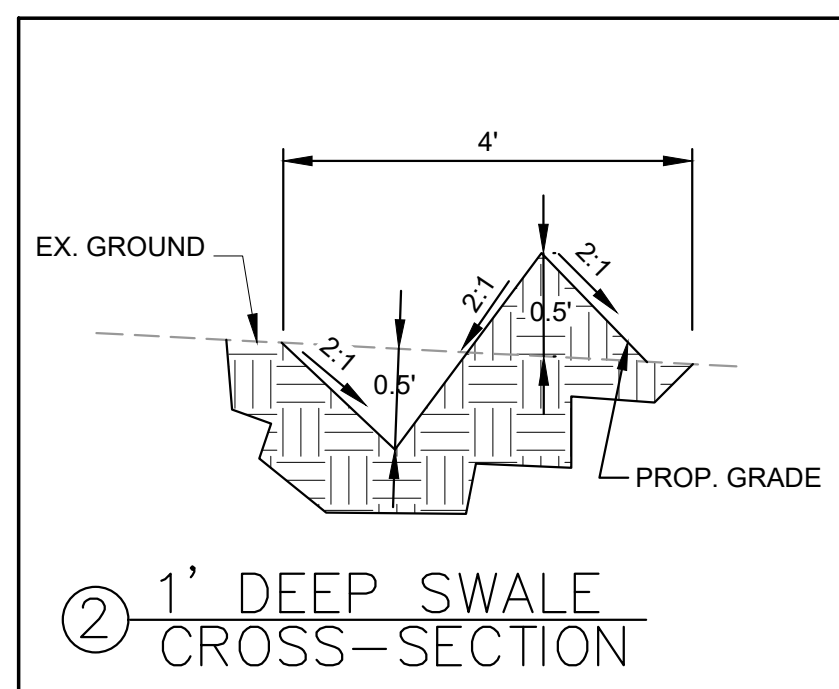
provide inlet calculation in the drainage report.

Drainage easement required for the pond.

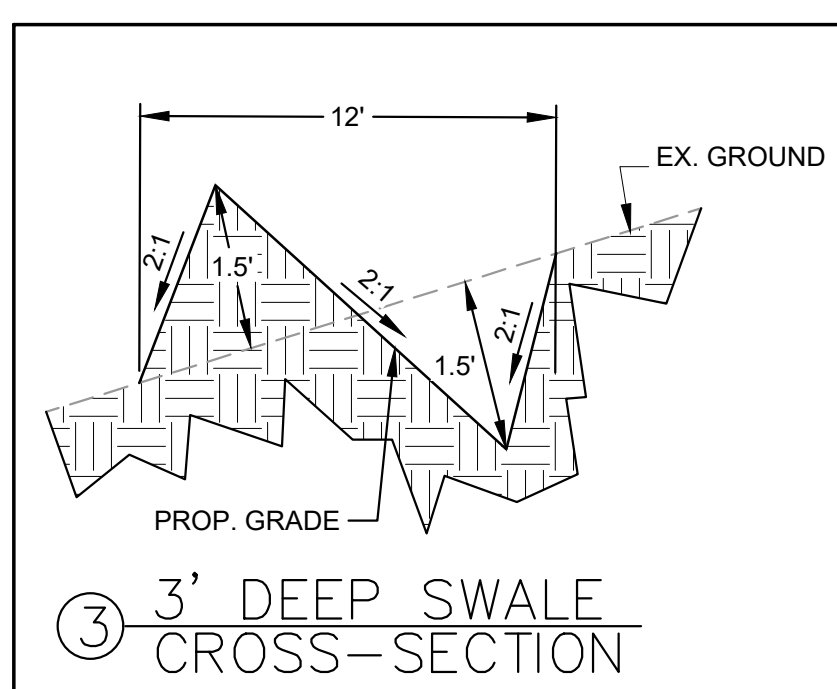
LEGEND

- PROPOSED STORM LINE
- EXISTING CONTOURS
- PROPOSED CONTOURS
- EXISTING FENCE
- EXISTING LOTS LINES

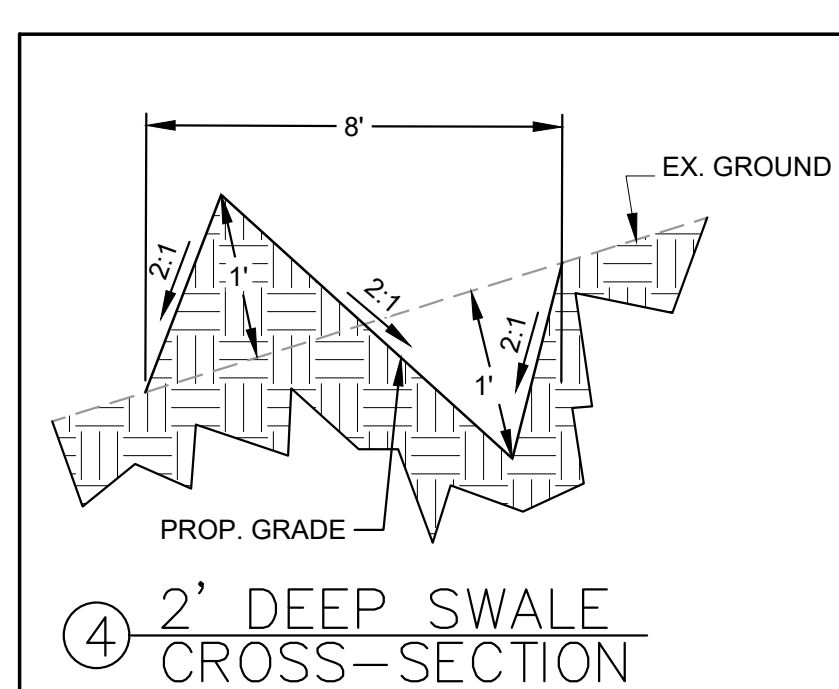
NO.	DATE	DESCRIPTION	BY
REVISIONS			
CTR Engineering, Inc.			
16392 TIMBER MEADOW DRIVE COLORADO SPRINGS, CO 80908 (719) 964-6654			
PROJECT: CLEAR VIEW INDUSTRIAL PARK FILING 2A			
BENCHMARK: Elevations are based upon FIMS monument DR02, a 2" aluminum cap, stamped "CSU FIMS CONTROL DR02", at the southeast corner of Monica Drive and Hancock Expressway (Elevation=5927.27 NGVD29)			
PROJECT TITLE: GRADING, WATER QUALITY POND AND EROSION CONTROL			
SHEET TITLE: PROP. GRADING PLAN			
DESIGNED BY: JCM	SCALE: 1"=30'	DATE ISSUED: MAY 2020	
DRAWN BY: JCM	JH	SHEET NO. 4 OF 15 SHEETS	
CHECKED BY: JH	V:	DWG:	



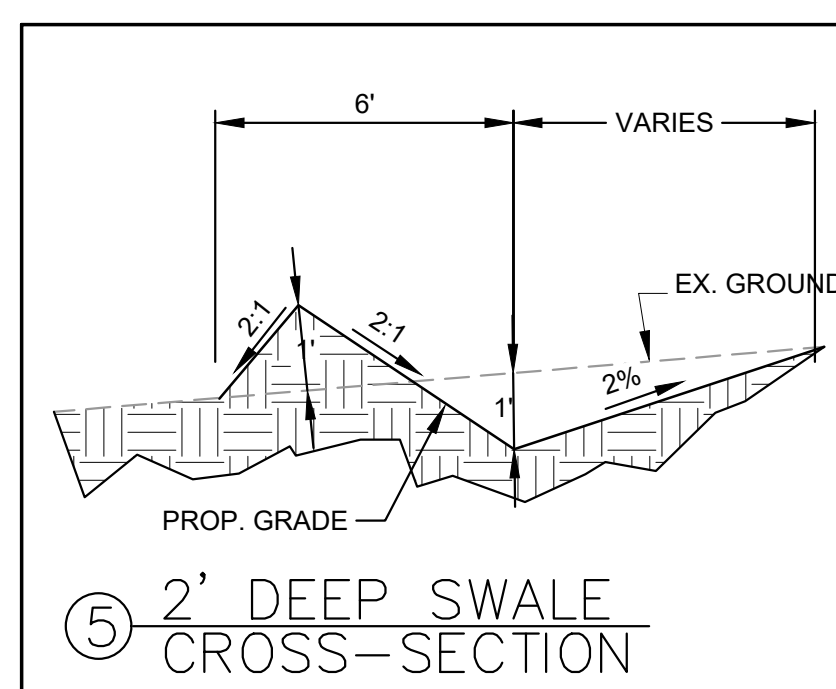
LONG. SLOPE = 2.7%



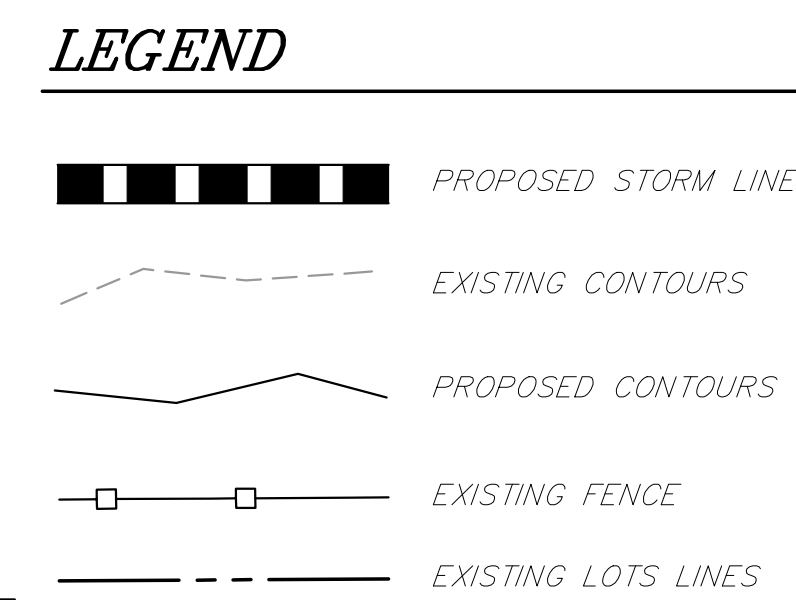
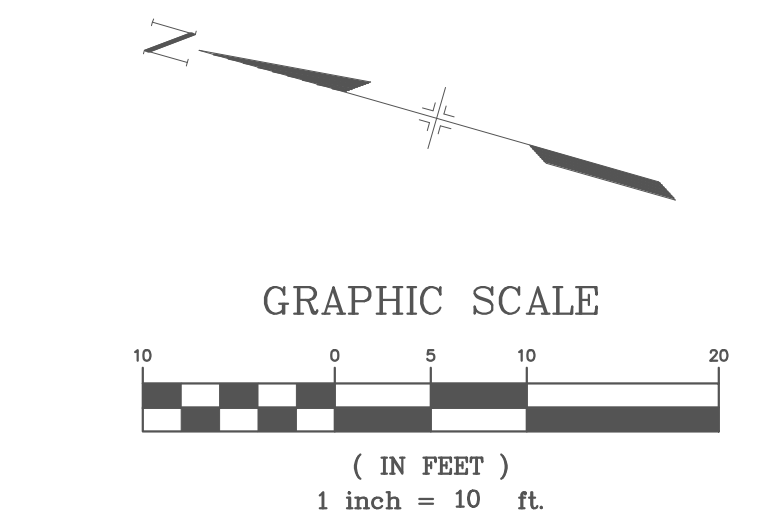
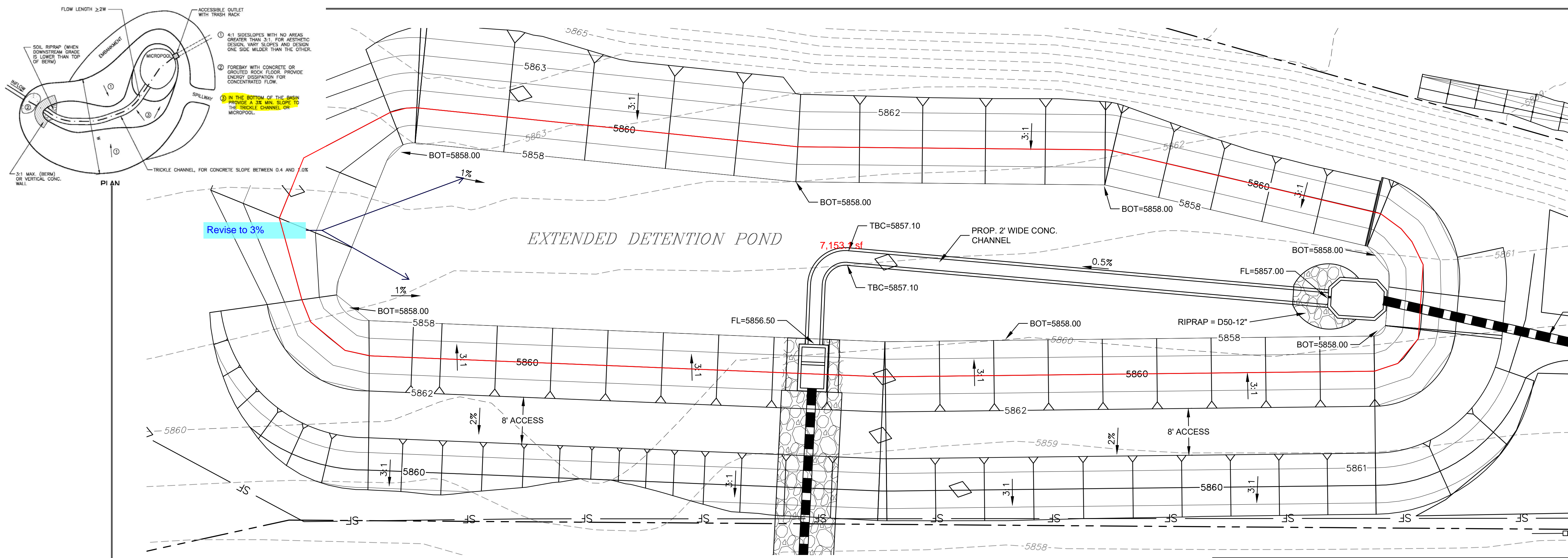
LONG. SLOPE = 0.84%



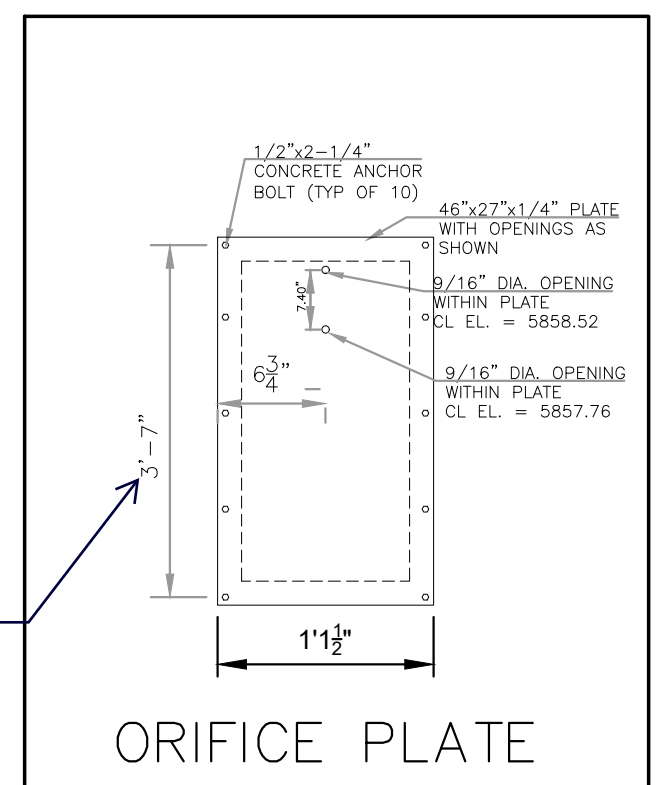
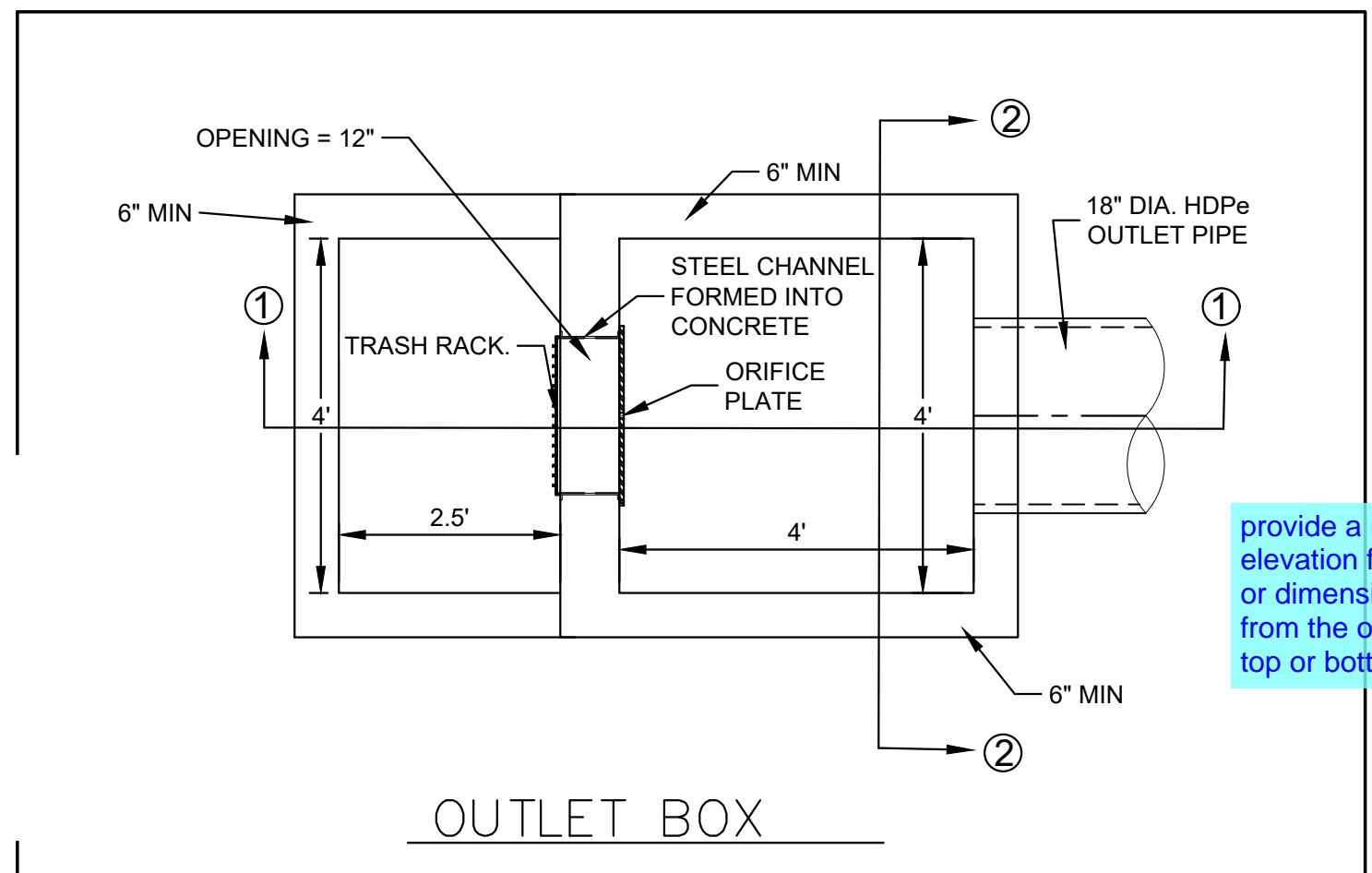
LONG. SLOPE = 1.2%



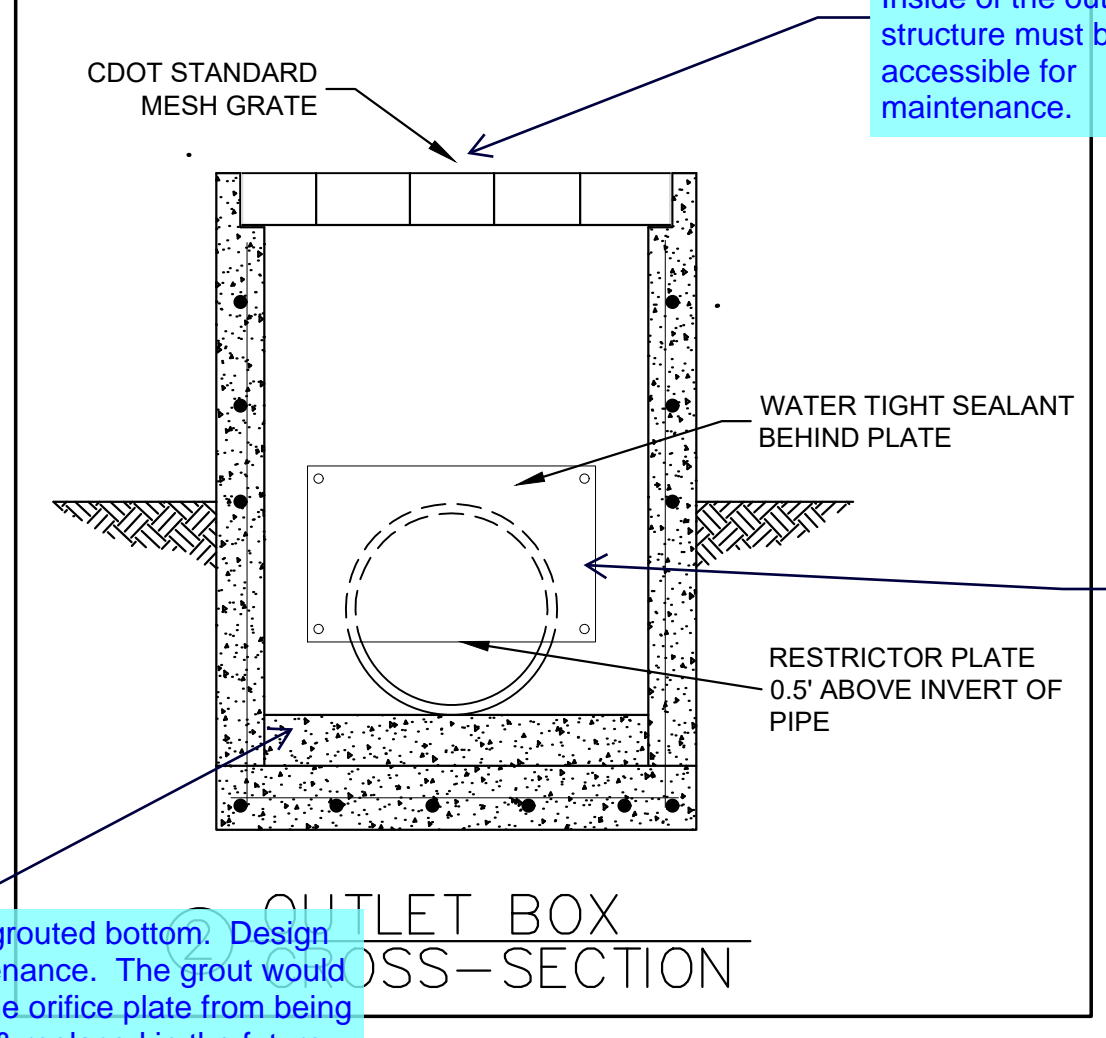
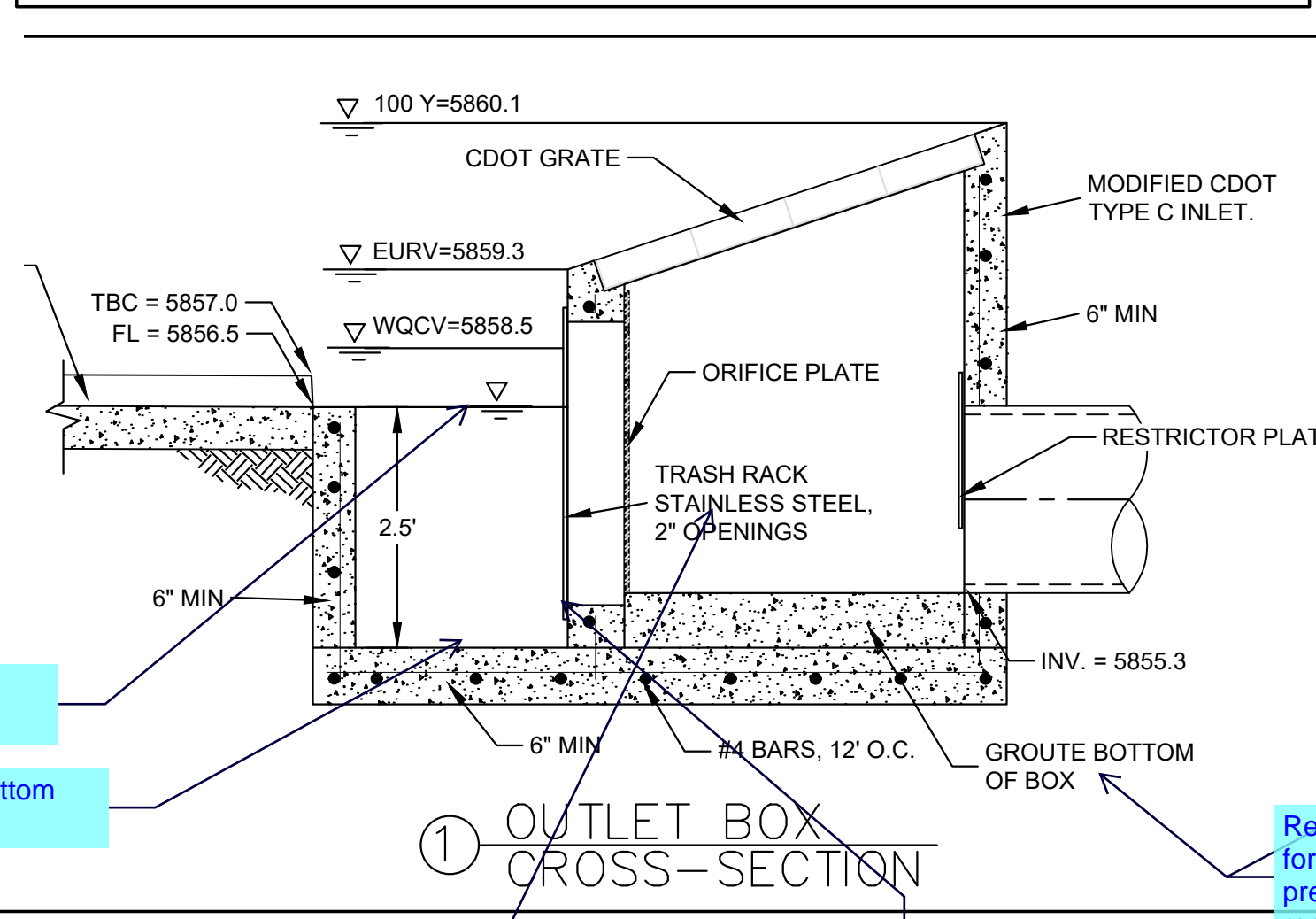
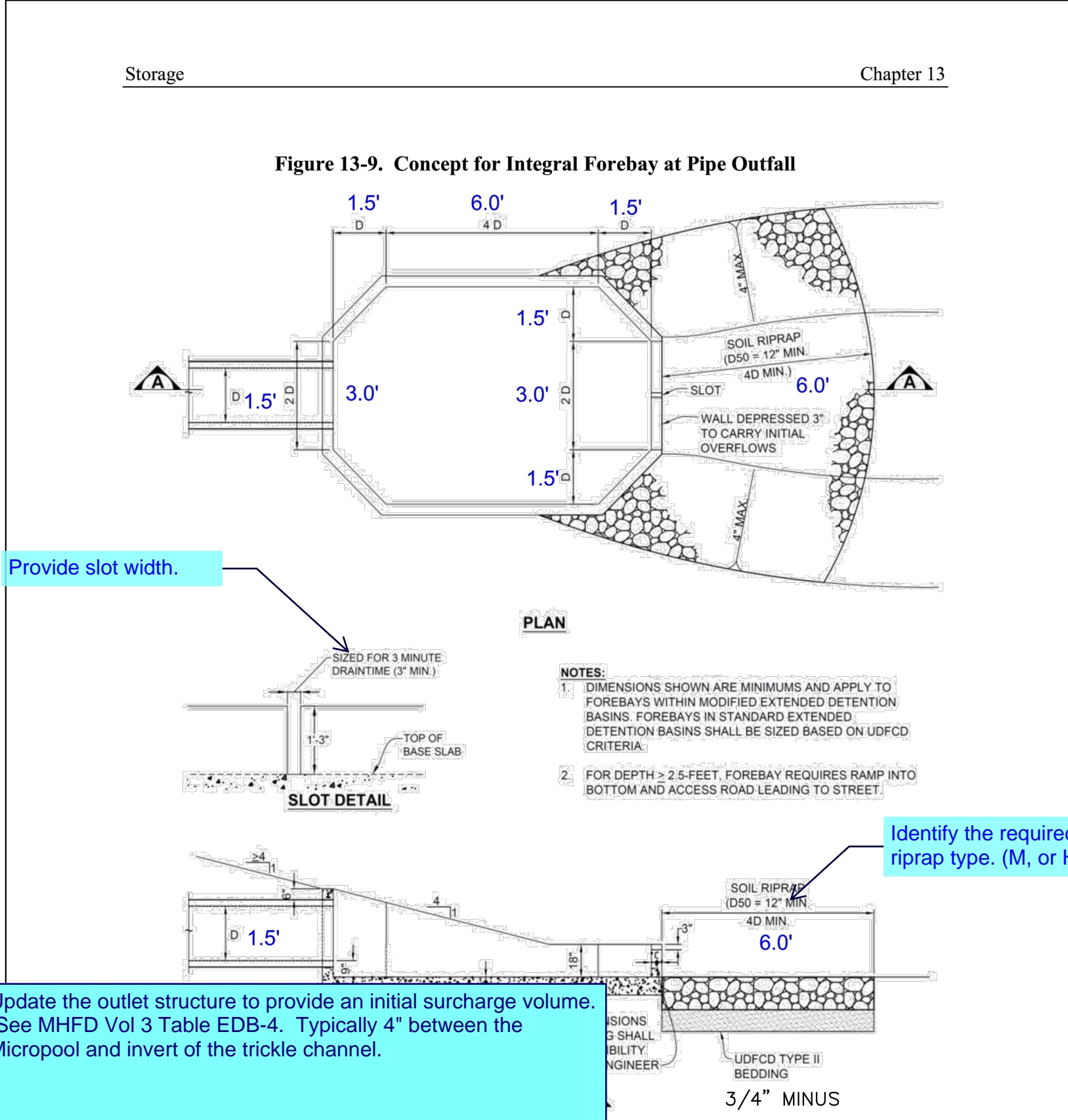
LONG. SLOPE = 0.54%



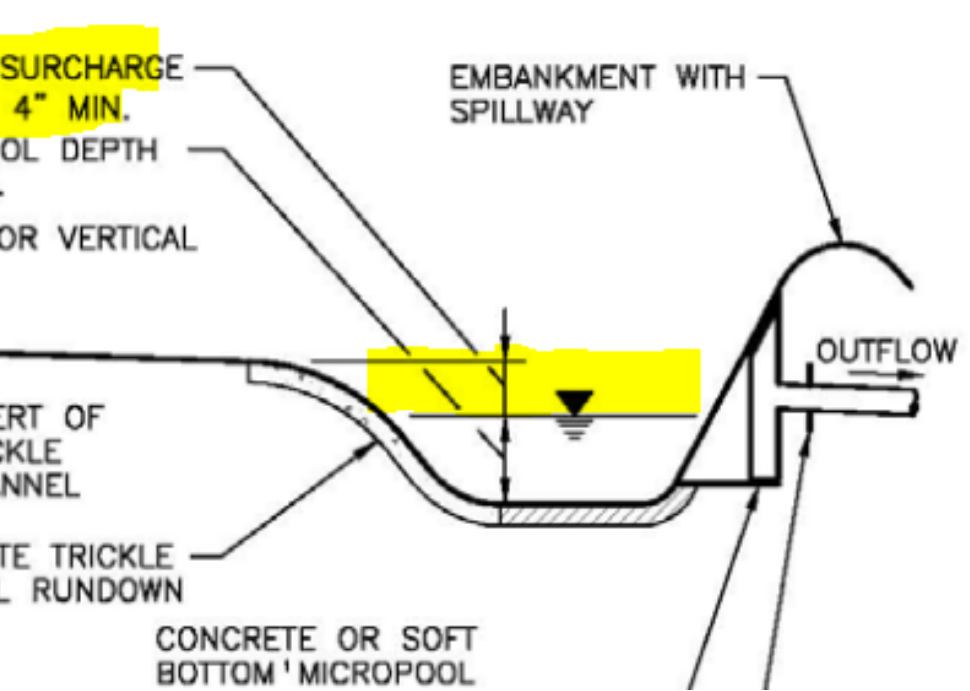
C:\Temp\CV\CAD\Grad\5 GRADING - Pond Details.dwg, 5/11/2020 10:58:10 AM, DWG To PDF.pc3



- NOTE:**
- 1) PROVIDE CONTINUOUS NEOPRENE GASKET BETWEEN ORIFICE PLATE AND CONCRETE STRUCTURE.
 - 2) C6X18.75 AMERICAN STANDARD STRUCTURAL STEEL CHANNEL FORMED INTO CONCRETE BOTTOM AND SIDES OF 12" OPENING TRASH RACK ATTACHED BY INTERMITTENT WELDS.
 - 3) ALL EXTERIOR STEEL SHALL BE WITH STAINLESS OR HOT DIPPED GALVANIZED.
 - 4) ALL METAL SURFACES ARE TO BE COATED WITH ZRC COLD GALVANIZING COMPOUND.
 - 5) SEE SHEET 6 FOR ADDITIONAL POND DETAILS (RIPRAP, EMERGENCY OVERFLOW CHANNEL, 2' CONCRETE CHANNEL).



- NOTE:**
- 1) PROVIDE DETAIL FOR HOW THE GRATE IS SECURED. INSIDE OF THE OUTLET STRUCTURE MUST BE ACCESSIBLE FOR MAINTENANCE.
 - 2) PROVIDE DIMENSION FOR RESTRICTOR PLATE TO INCLUDE PLATE THICKNESS.



NO.	DATE	DESCRIPTION	BY
REVISIONS			
<p>CTR Engineering, Inc.</p> <p>16392 TIMBER MEADOW DRIVE COLORADO SPRINGS, CO 80908 (719) 964-6654</p>			
PROJECT: CLEAR VIEW INDUSTRIAL PARK FILING 2A			
BENCHMARK: Elevations are based upon FIMS monument DR02, a 2" aluminum cap, stamped "CSU FIMS CONTROL DR02", at the southeast corner of Monica Drive and Hancock Expressway (Elevation=5927.27 NGVD29)			
PROJECT TITLE: GRADING, WATER QUALITY POND AND EROSION CONTROL			
SHEET TITLE: POND DETAILS			
DESIGNED BY: JCM	SCALE: 1"=10'	DATE ISSUED: MAY 2020	
DRAWN BY: JCM	CH. V.	SHEET NO. 5 OF 15 SHEETS	
CHECKED BY: JH		DWG:	

Revise. Acceptable are either a No. 93 Johnson Vee Wire Stainless Steel Well screen or AMICO KLEMP SR Series Aluminum Bar Grate or approved equivalent. See snippet above.

Provide the section detail of the trash rack proposed.

Provide section detail for how the trash rack and orifice plate is attached. is attached to the outlet structure. See MHFD Vol 3 Chapter 4 Figure OS-5 and OS-6 for an example.

Remove grouted bottom. Design for maintenance. The grout would prevent the orifice plate from being removed & replaced in the future.

May 2014

Add a section cut symbol or provide a callout on the grading plan corresponding to this spillway detail

Figure 13-12c. Emergency Spillway Protection

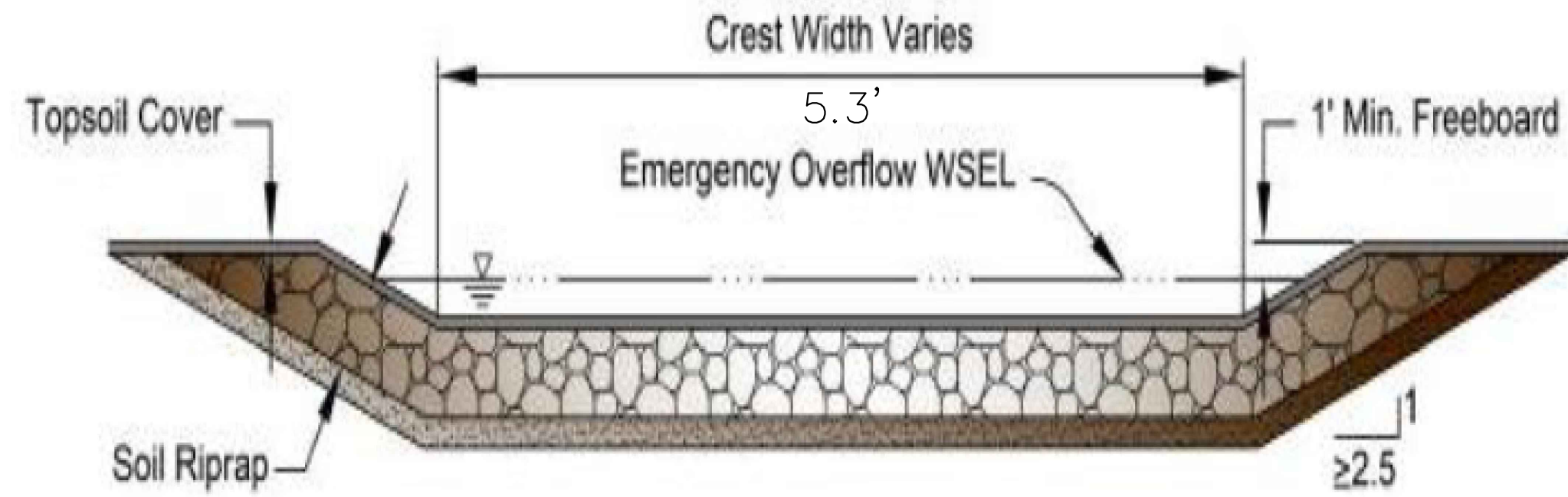
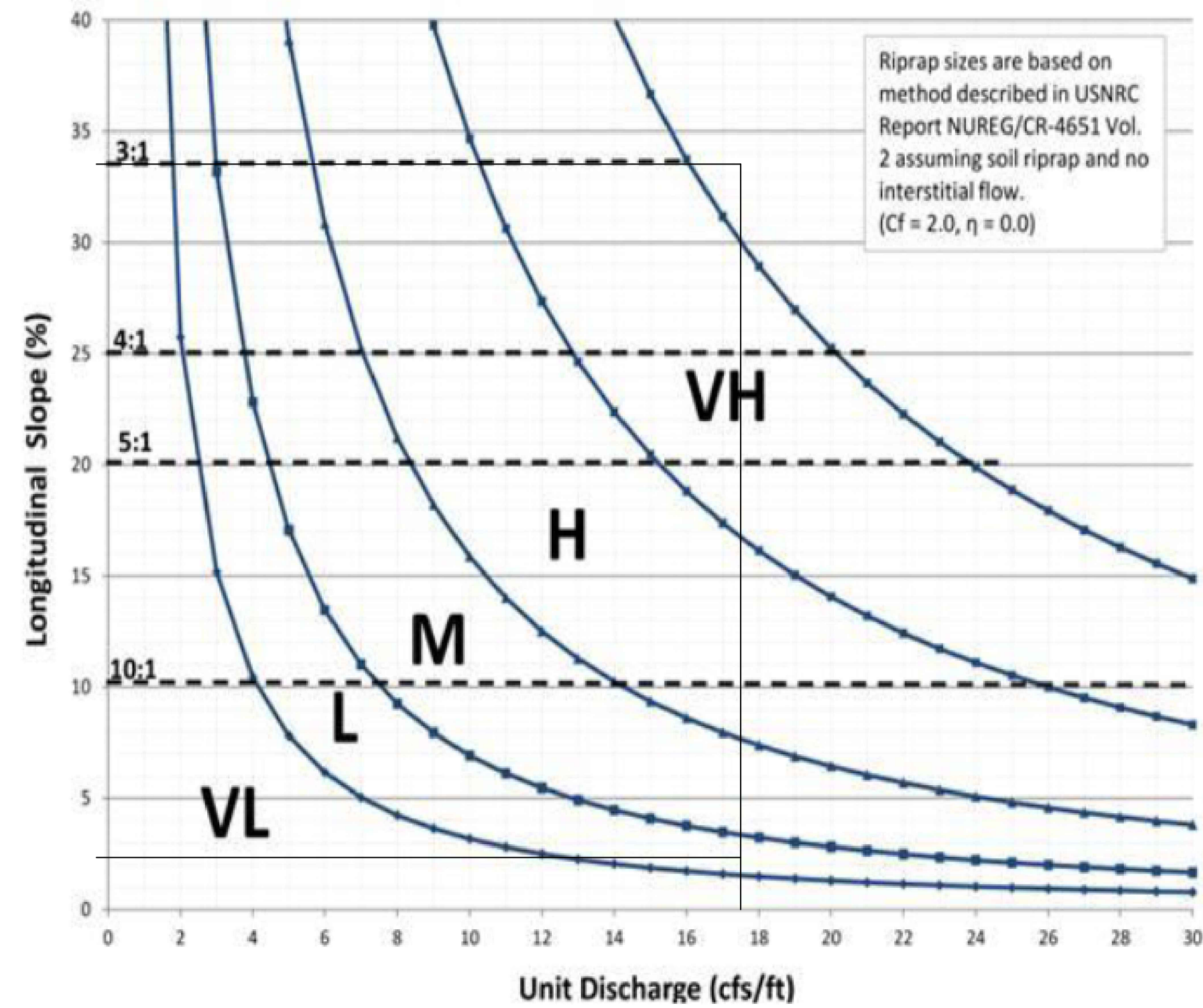


Figure 13-12d. Riprap Types for Emergency Spillway Protection



VH = D50 = 24" FOR 3:1 SLOPE ONLY

L = D50 = 9" FOR ALL OTHER SITE RIPRAP

Figure 13-12b. Emergency Spillway Profile at Embankment

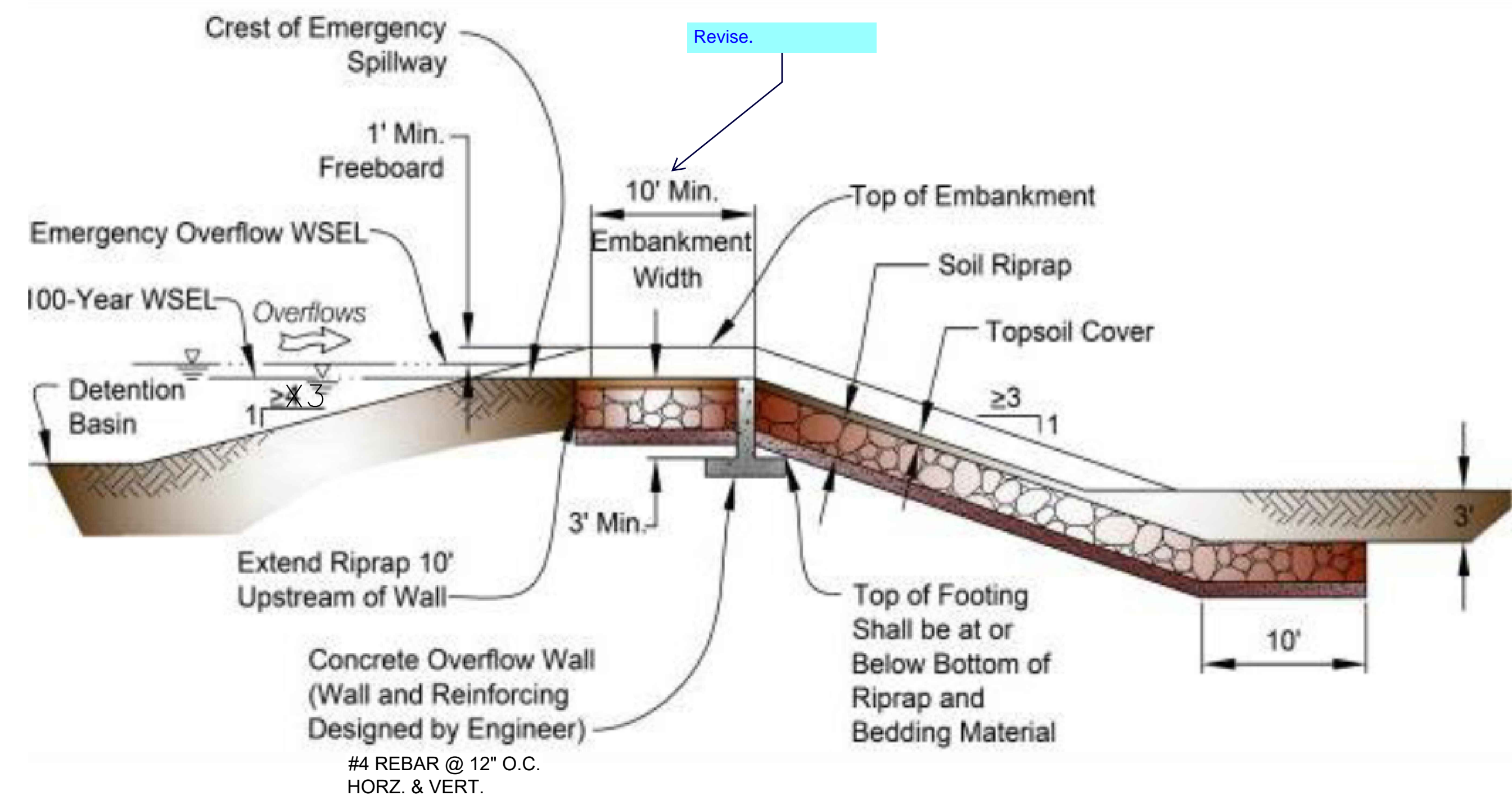
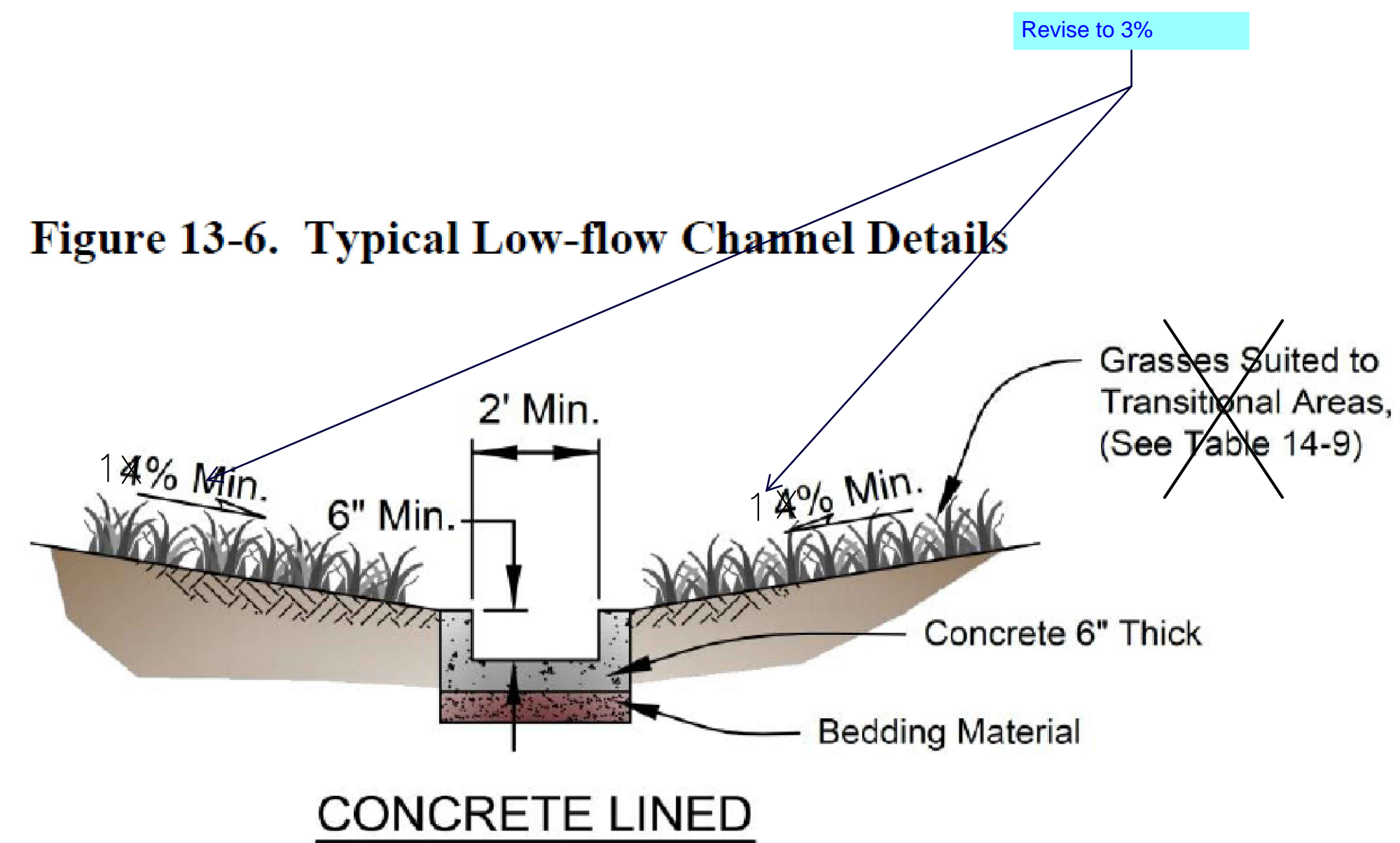


Figure 13-6. Typical Low-flow Channel Details



NO.	DATE	DESCRIPTION	BY
REVISIONS			
CTR Engineering, Inc.			
16392 TIMBER MEADOW DRIVE COLORADO SPRINGS, CO 80908 (719) 964-6654			
PROJECT: CLEAR VIEW INDUSTRIAL PARK FILING 2A			
BENCHMARK: Elevations are based upon FIMS monument DR02, a 2" aluminum cap, stamped "CSU FIMS CONTROL DR02", at the southeast corner of Monica Drive and Hancock Expressway (Elevation=5927.27 NGVD29)			
PROJECT TITLE: GRADING, WATER QUALITY POND AND EROSION CONTROL			
SHEET TITLE: POND DETAILS (2)			
DESIGNED BY: JCM	SCALE:	DATE ISSUED: MAY 2020	
DRAWN BY: JCM	H: NTS	SHEET NO. 6 OF 15 SHEETS	
CHECKED BY: JH	V:		
DWG:			

Remove. This appears to be a duplicate

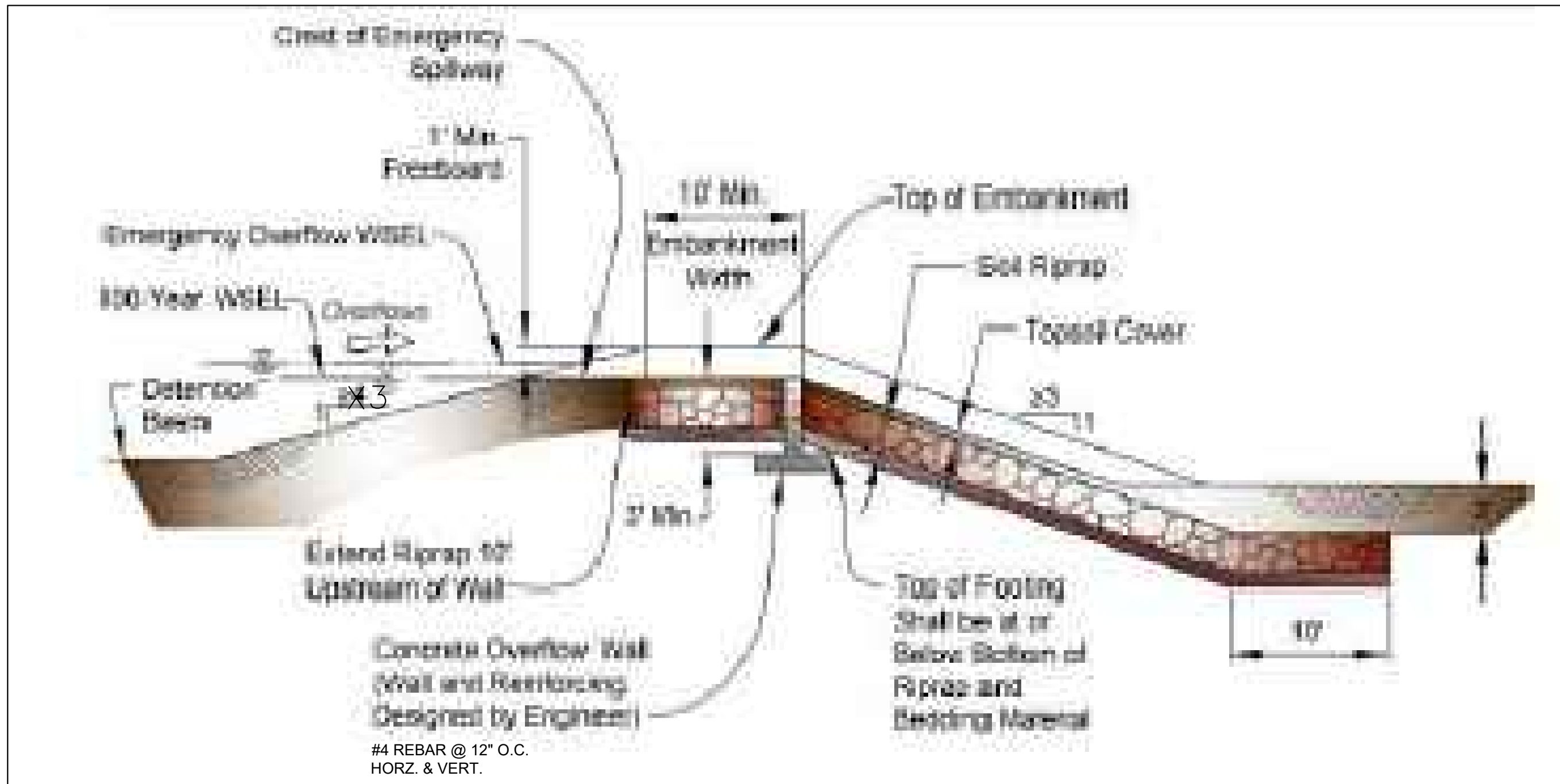
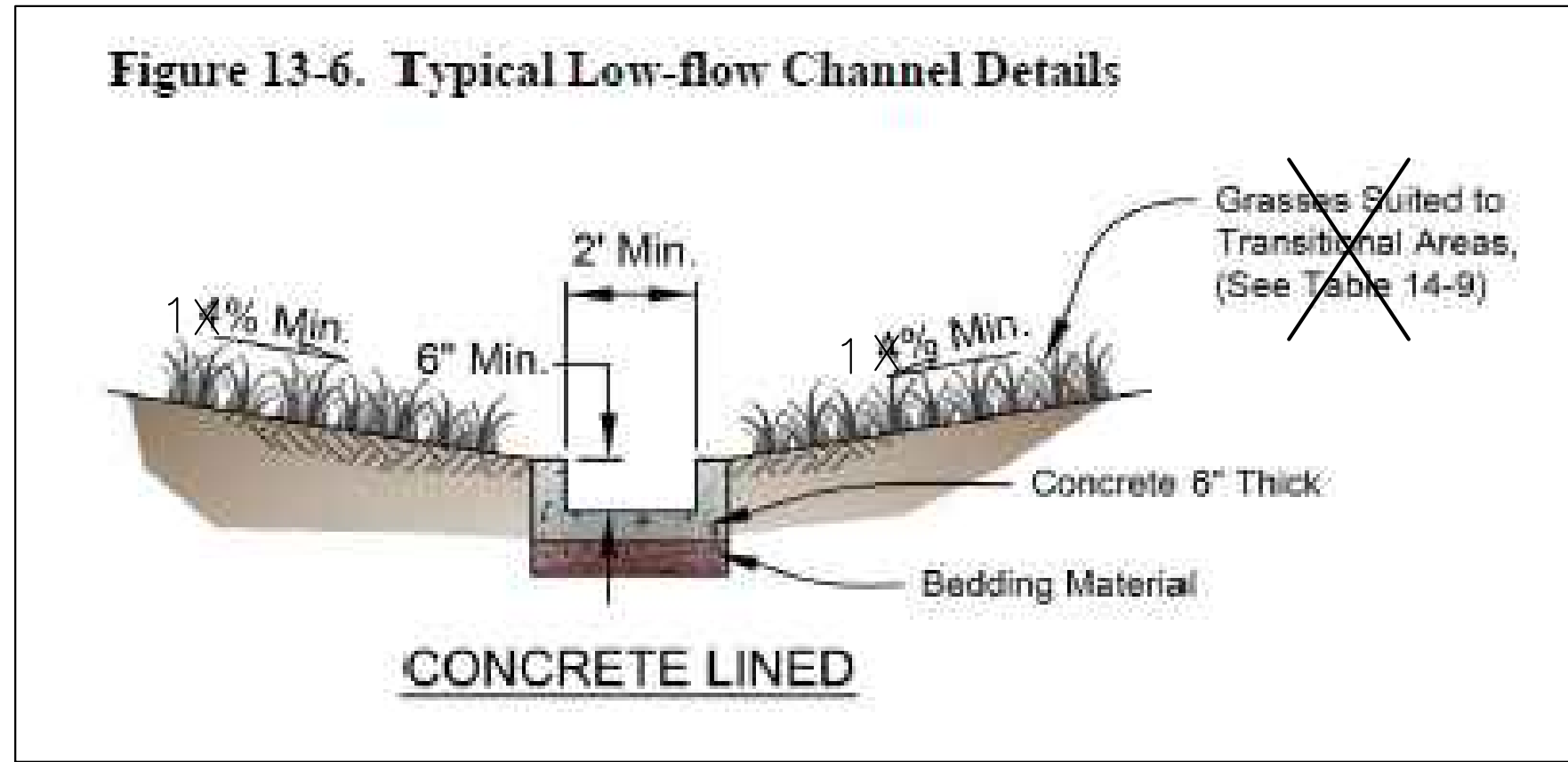


Figure 13-6. Typical Low-flow Channel Details

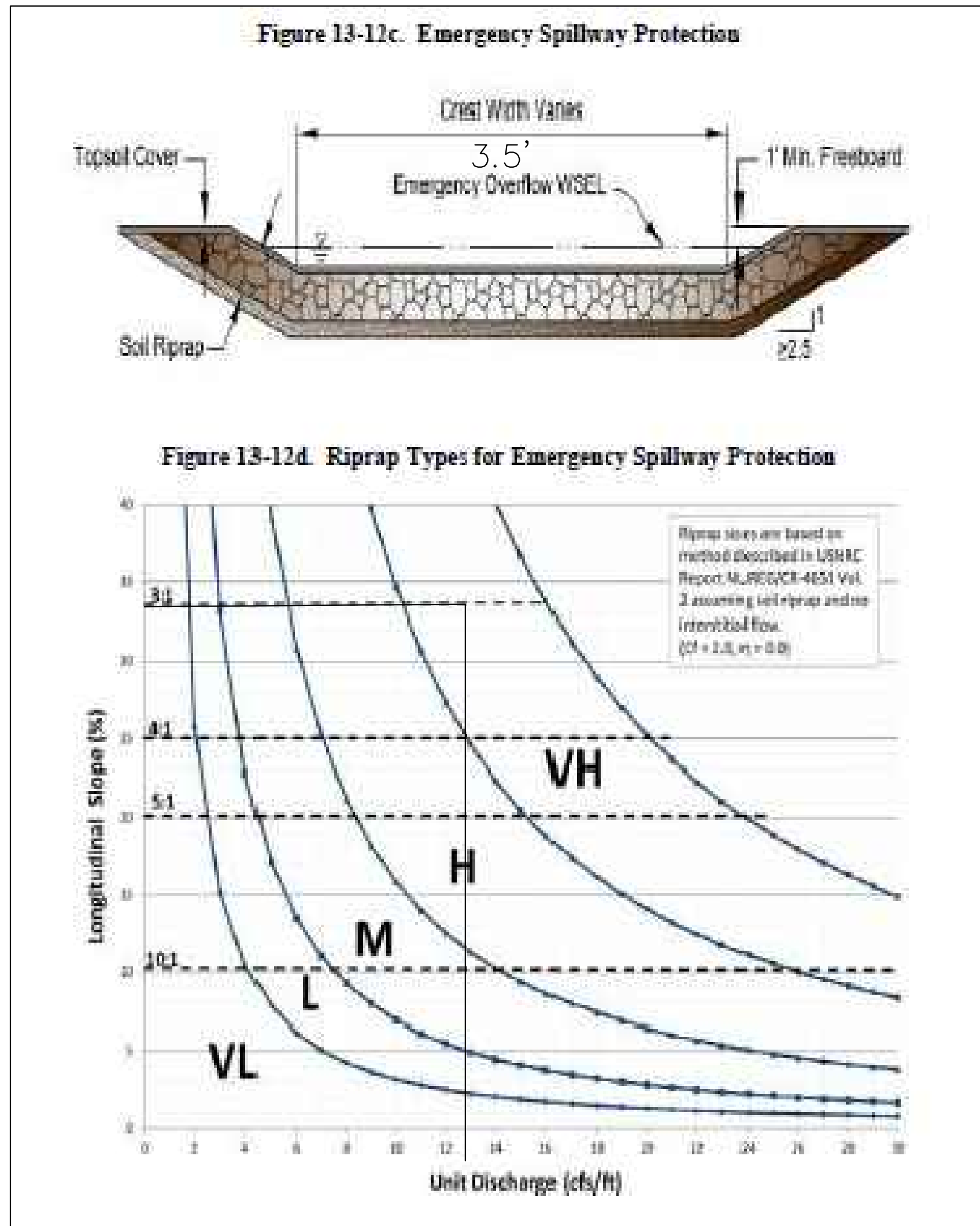
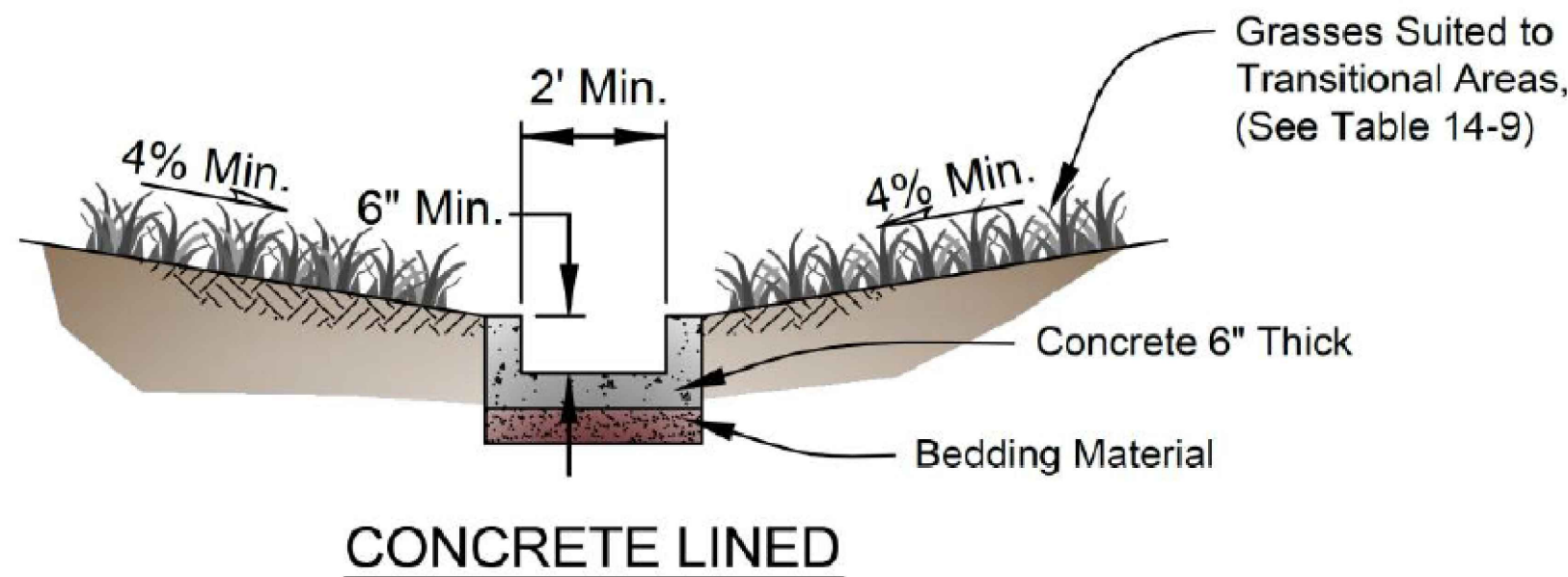
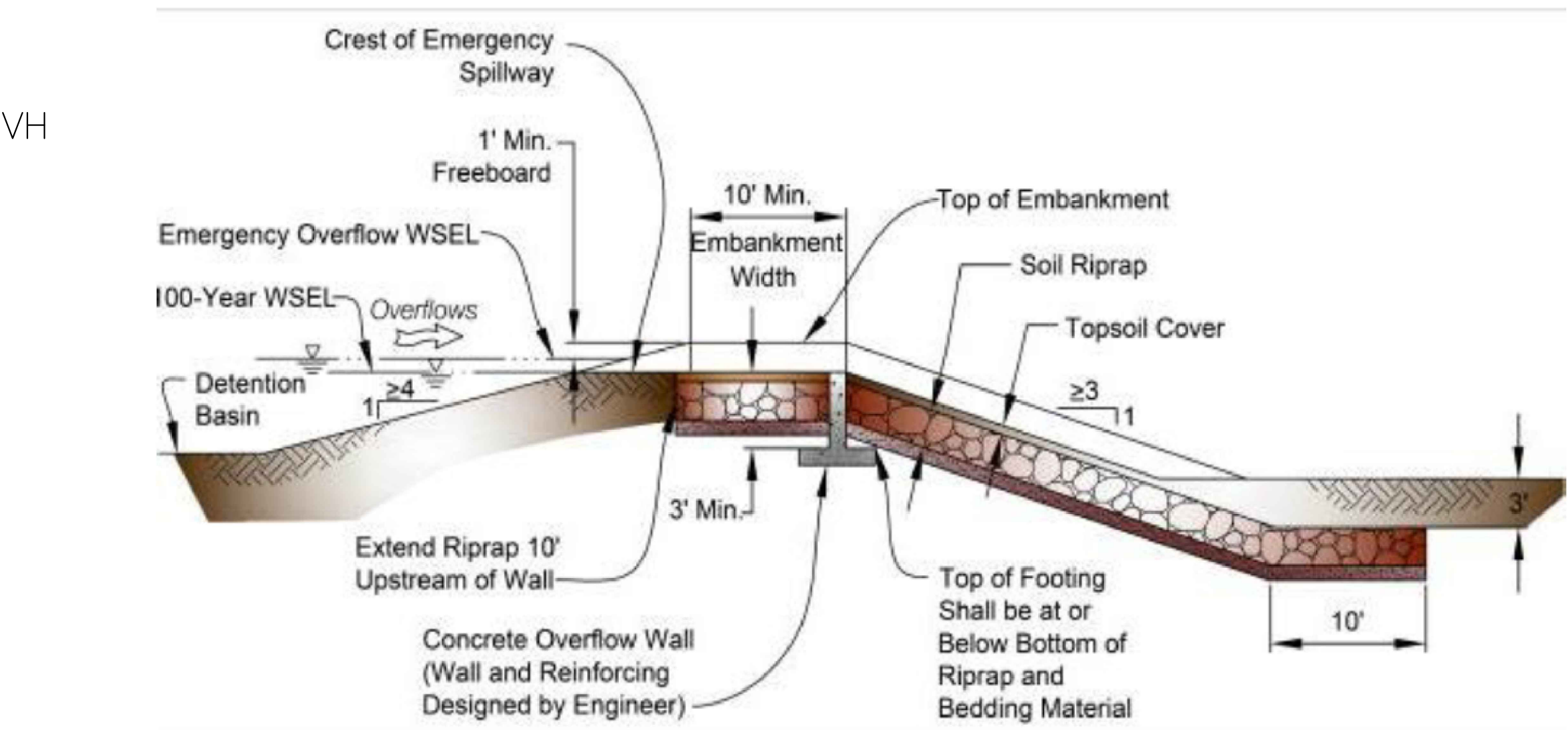
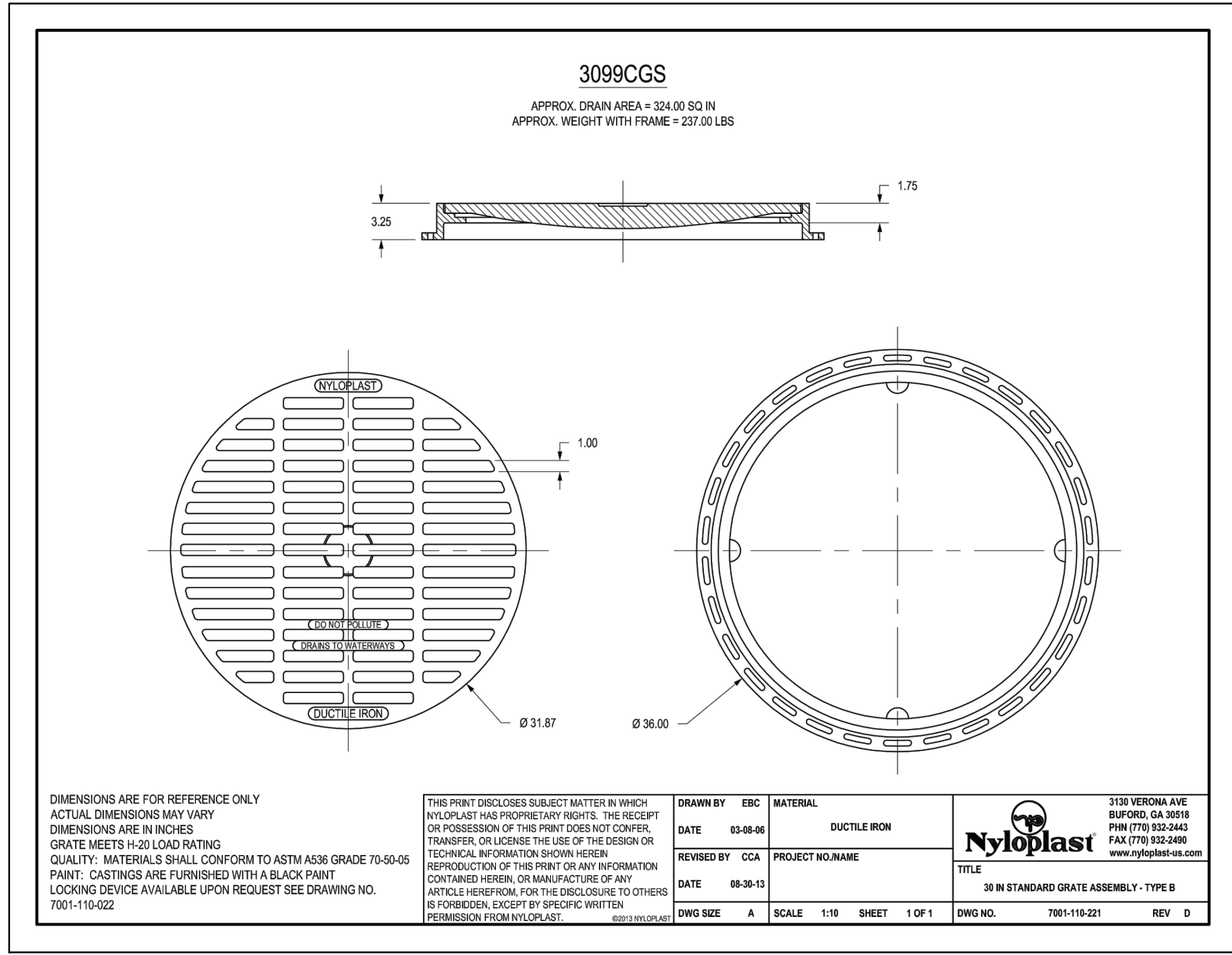
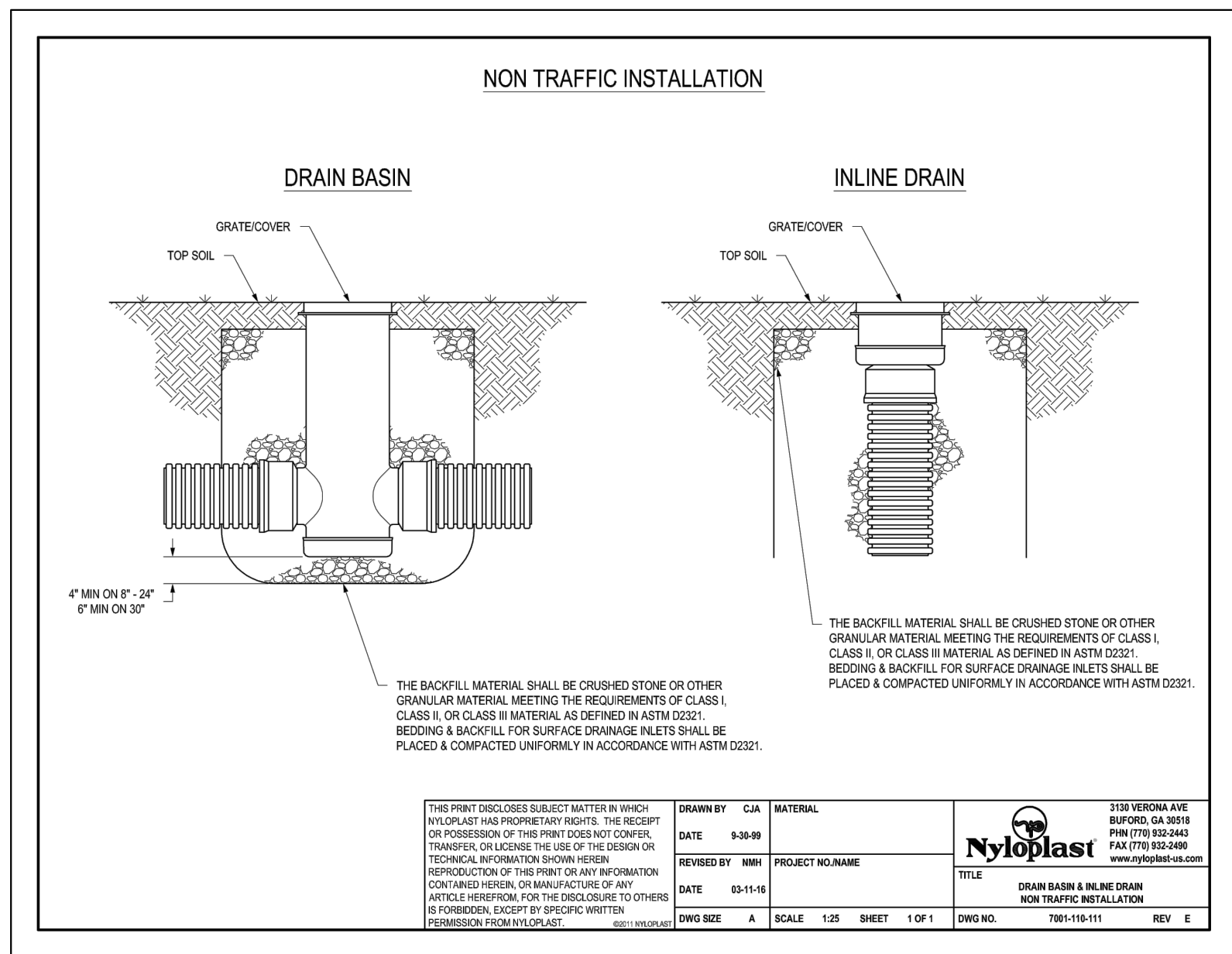
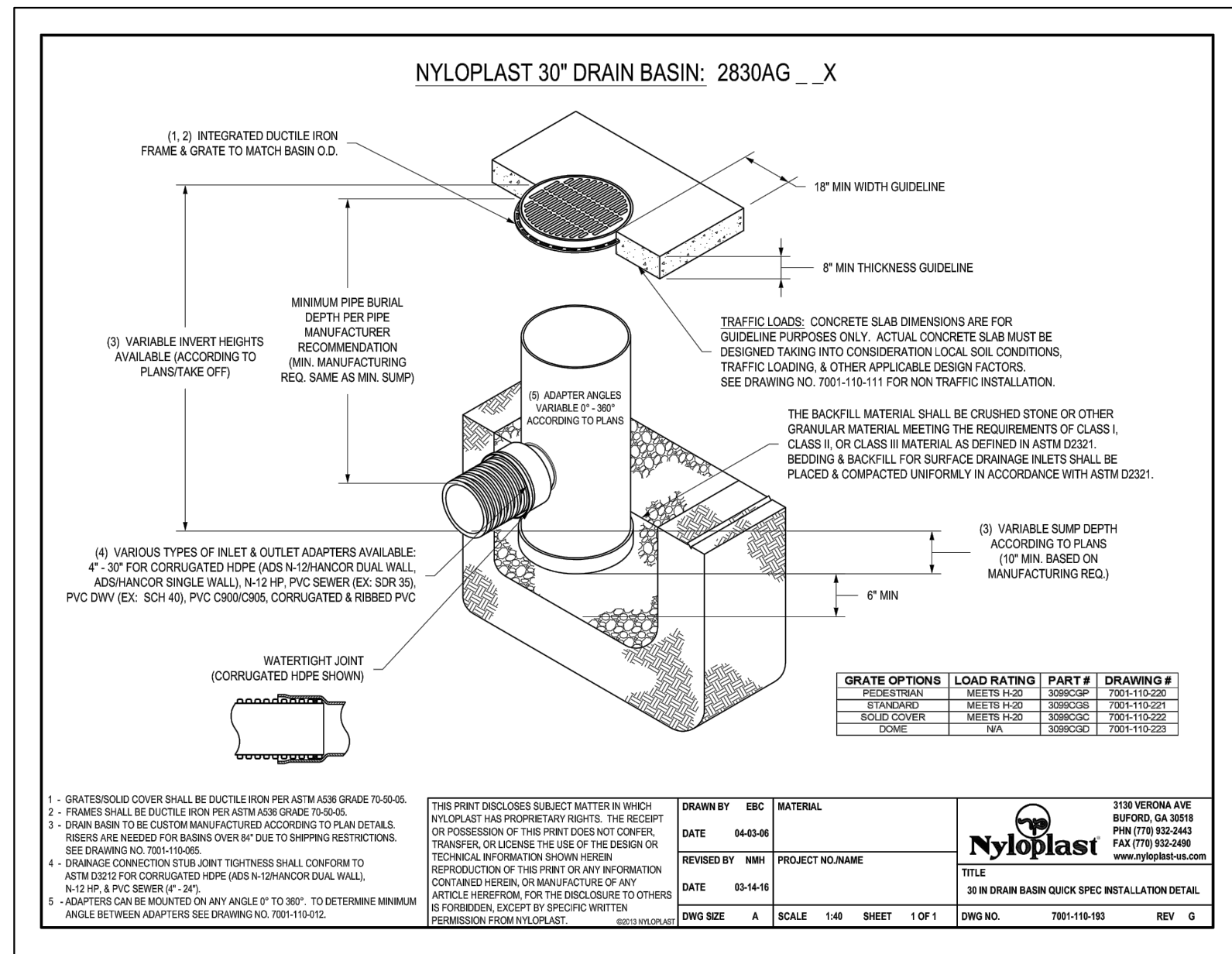


Figure 13-12b. Emergency Spillway Profile at Embankment



NO.	DATE	DESCRIPTION	BY
REVISIONS			
CTR Engineering, Inc.			
16392 TIMBER MEADOW DRIVE COLORADO SPRINGS, CO 80908 (719) 964-6654			
PROJECT: CLEAR VIEW INDUSTRIAL PARK FILING 2A			
BENCHMARK: Elevations are based upon FIMS monument DR02, a 2" aluminum cap, stamped "CSU FIMS CONTROL DR02", at the southeast corner of Monica Drive and Hancock Expressway (Elevation=5927.27 NGVD29)			
PROJECT TITLE: GRADING, WATER QUALITY POND AND EROSION CONTROL			
SHEET TITLE: POND DETAILS (2)			
DESIGNED BY: JCM	SCALE: H: NTS	DATE ISSUED: MAY 2020	
DRAWN BY: JCM	V: NTS	SHEET NO. 6 OF 13 SHEETS	
CHECKED BY: JH			
DWG:			



INLINE STORM
STA: 10+77.30

LOT 3A

Section 2721
Engineered Surface Drainage Products

GENERAL
PVC surface drainage inlets shall include the drain basin type as indicated on the contract drawing and referenced within the contract specifications. The ductile iron grates for each of these fittings are to be considered an integral part of the surface drainage inlet and shall be furnished by the same manufacturer. The surface drainage inlets shall be as manufactured by Nyloplast a division of Advanced Drainage Systems, Inc., or prior approved equal.

MATERIALS
The drain basins required for this contract shall be manufactured from PVC pipe stock, utilizing a thermforming process to reform the pipe stock to the specified configuration. The drainage pipe connection stubs shall be manufactured from PVC pipe stock and formed to provide a watertight connection with the specified pipe system. This joint tightness shall conform to ASTM D2321 for joints for drain and sewer plastic pipe using flexible elastomeric seals. The flexible elastomeric seals shall conform to ASTM F417. The pipe bell spigot shall be joined to the main body of the drain basin or catch basin. The raw material used to manufacture the pipe stock that is used to manufacture the main body and pipe stubs of the surface drainage inlets shall conform to ASTM D1784 cell class 12454.

The grates and frames furnished for all surface drainage inlets shall be ductile iron for sizes 8", 10", 12", 15", 18", 24" and 30" and shall be made specifically for each basin as to provide a round bottom flange that closely matches the diameter of the surface drainage inlet. Grates for drain basins shall be capable of supporting various wheel loads as specified by Nyloplast. 12" and 15" square grates will be hinged to the frame using pins. Ductile iron used in the manufacture of the castings shall conform to ASTM A536 grade 70-50-05. Grates and covers shall be provided painted black.

INSTALLATION
The specified PVC surface drainage inlet shall be installed using conventional flexible pipe backfill materials and procedures. The backfill material shall be crushed stone or other granular material meeting the requirements of class 1, class 2, or class 3 material as defined in ASTM D2321. Bedding and backfill for surface drainage inlets shall be well placed and compacted uniformly in accordance with ASTM D2321. The drain basin body will be cut at the time of the final grade. No brick, stone or concrete block will be required to set the grate to the final grade height. For load rated installations, a concrete slab shall be poured under and around the grate and frame. The concrete slab must be designed taking into consideration local soil conditions, traffic loading, and other applicable design factors. For other installation considerations such as migration of fines, ground water, and soft foundations refer to ASTM D2321 guidelines.

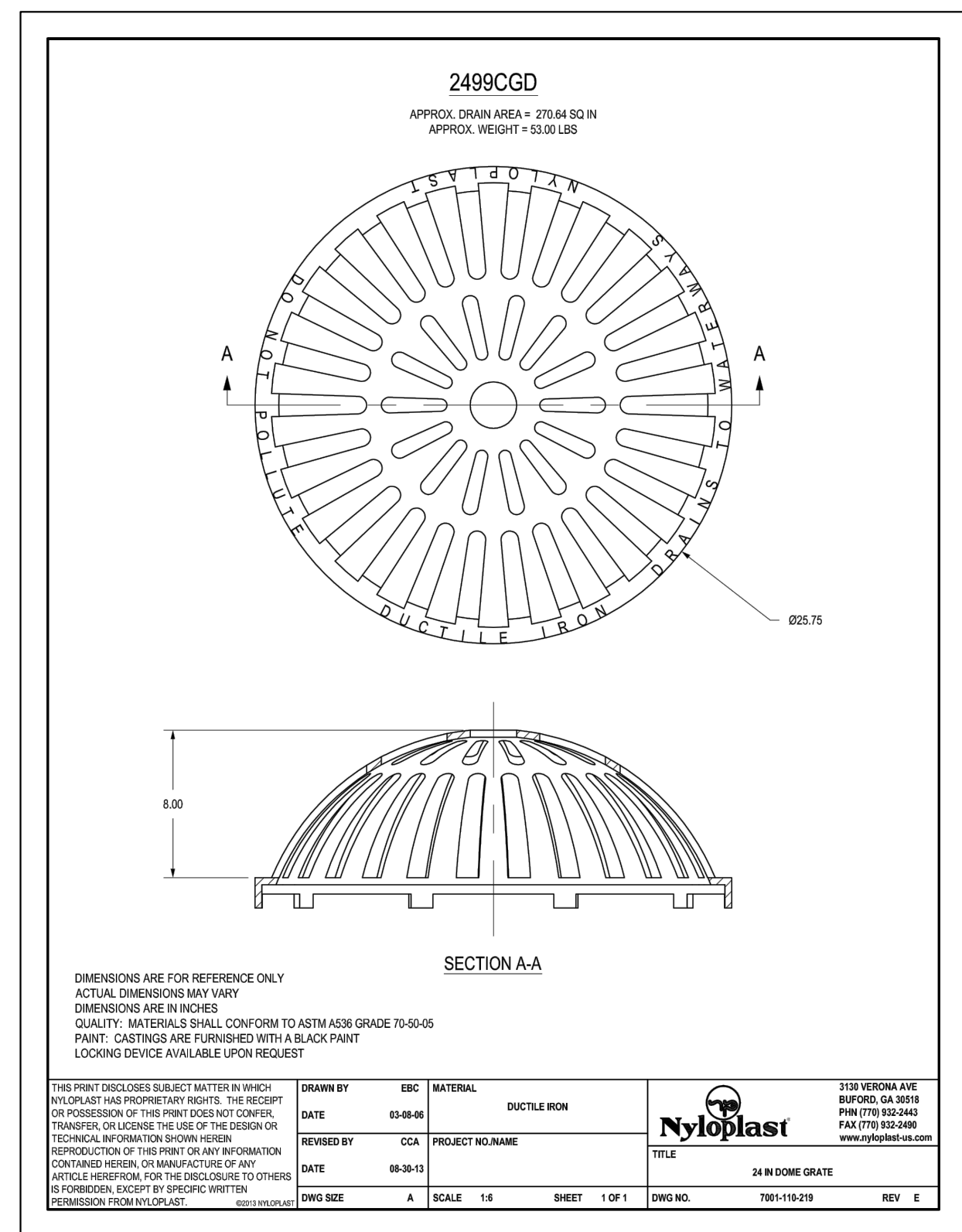
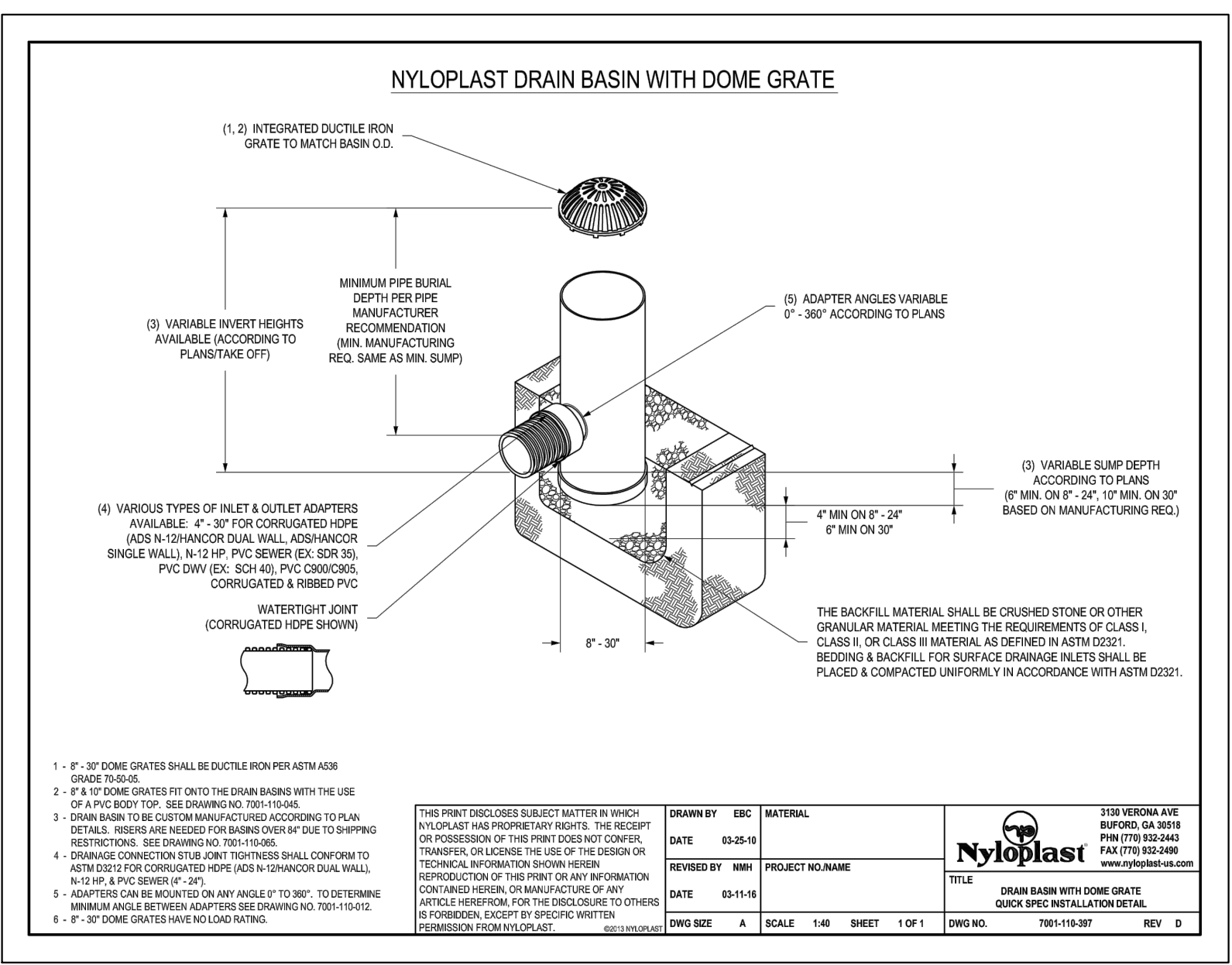
Section 2721
Engineered Surface Drainage Products

GENERAL
PVC surface drainage inlets shall include the drain basin type as indicated on the contract drawing and referenced within the contract specifications. The ductile iron grates for each of these fittings are to be considered an integral part of the surface drainage inlet and shall be furnished by the same manufacturer. The surface drainage inlets shall be as manufactured by Nyloplast a division of Advanced Drainage Systems, Inc., or prior approved equal.

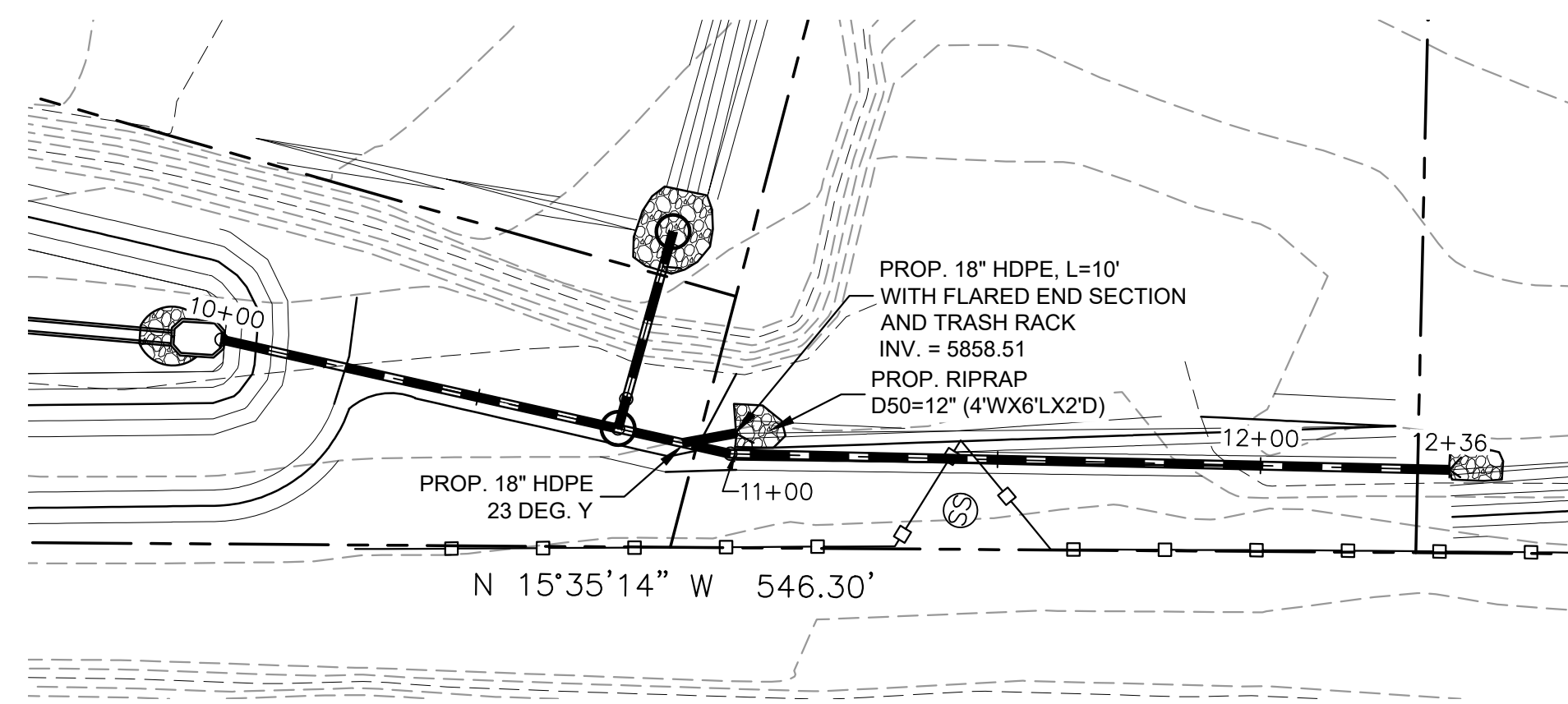
MATERIALS
The drain basins required for this contract shall be manufactured from PVC pipe stock, utilizing a thermforming process to reform the pipe stock to the specified configuration. The drainage pipe connection stubs shall be manufactured from PVC pipe stock and formed to provide a watertight connection with the specified pipe system. This joint tightness shall conform to ASTM D2321 for joints for drain and sewer plastic pipe using flexible elastomeric seals. The flexible elastomeric seals shall conform to ASTM F417. The pipe bell spigot shall be joined to the main body of the drain basin or catch basin. The raw material used to manufacture the pipe stock that is used to manufacture the main body and pipe stubs of the surface drainage inlets shall conform to ASTM D1784 cell class 12454.

The grates and frames furnished for all surface drainage inlets shall be ductile iron for sizes 8", 10", 12", 15", 18", 24" and 30" and shall be made specifically for each basin as to provide a round bottom flange that closely matches the diameter of the surface drainage inlet. Grates for drain basins shall be capable of supporting various wheel loads as specified by Nyloplast. 12" and 15" square grates will be hinged to the frame using pins. Ductile iron used in the manufacture of the castings shall conform to ASTM A536 grade 70-50-05. Grates and covers shall be provided painted black.

INSTALLATION
The specified PVC surface drainage inlet shall be installed using conventional flexible pipe backfill materials and procedures. The backfill material shall be crushed stone or other granular material meeting the requirements of class 1, class 2, or class 3 material as defined in ASTM D2321. Bedding and backfill for surface drainage inlets shall be well placed and compacted uniformly in accordance with ASTM D2321. The drain basin body will be cut at the time of the final grade. No brick, stone or concrete block will be required to set the grate to the final grade height. For load rated installations, a concrete slab shall be poured under and around the grate and frame. The concrete slab must be designed taking into consideration local soil conditions, traffic loading, and other applicable design factors. For other installation considerations such as migration of fines, ground water, and soft foundations refer to ASTM D2321 guidelines.

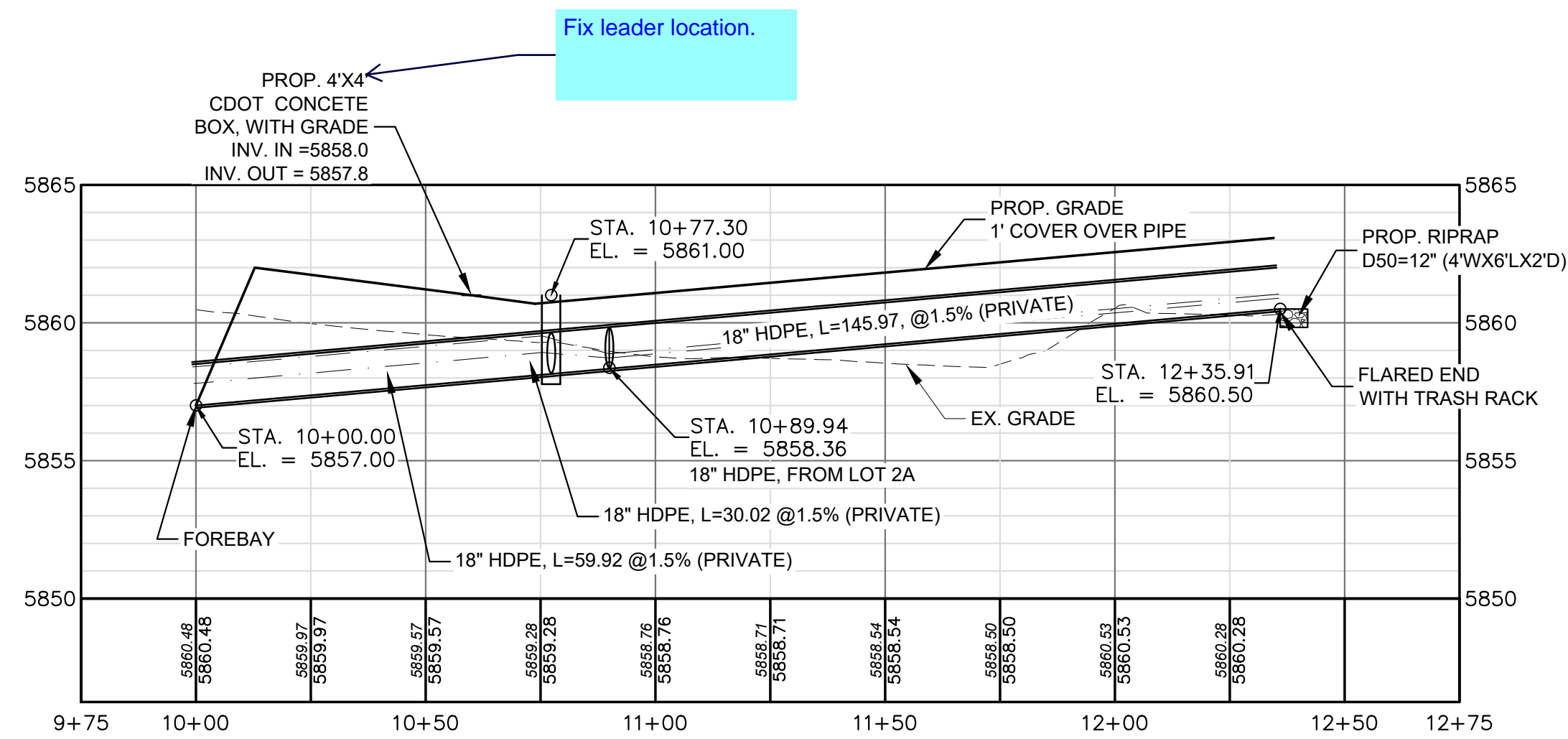


NO.	DATE	DESCRIPTION	BY
REVISIONS			
CTR Engineering, Inc.			
16392 TIMBER MEADOW DRIVE COLORADO SPRINGS, CO 80908 (719) 964-6654			
PROJECT: CLEAR VIEW INDUSTRIAL PARK FILING 2A			
BENCHMARK: Elevations are based upon FIMS monument DR02, a 2" aluminum cap, stamped "CSU FIMS CONTROL DR02", at the southeast corner of Monica Drive and Hancock Expressway (Elevation=5927.27 NGVD29)			
PROJECT TITLE: GRADING, WATER QUALITY POND AND EROSION CONTROL			
SHEET TITLE: NYLOPLAST DETAILS			
DESIGNED BY: JCM	SCALE: 1"=40'	DATE ISSUED: MAY 2020	
DRAWN BY: JCM	V:	SHEET NO. 7 OF 13 SHEETS	
CHECKED BY: JH			
DWG:			



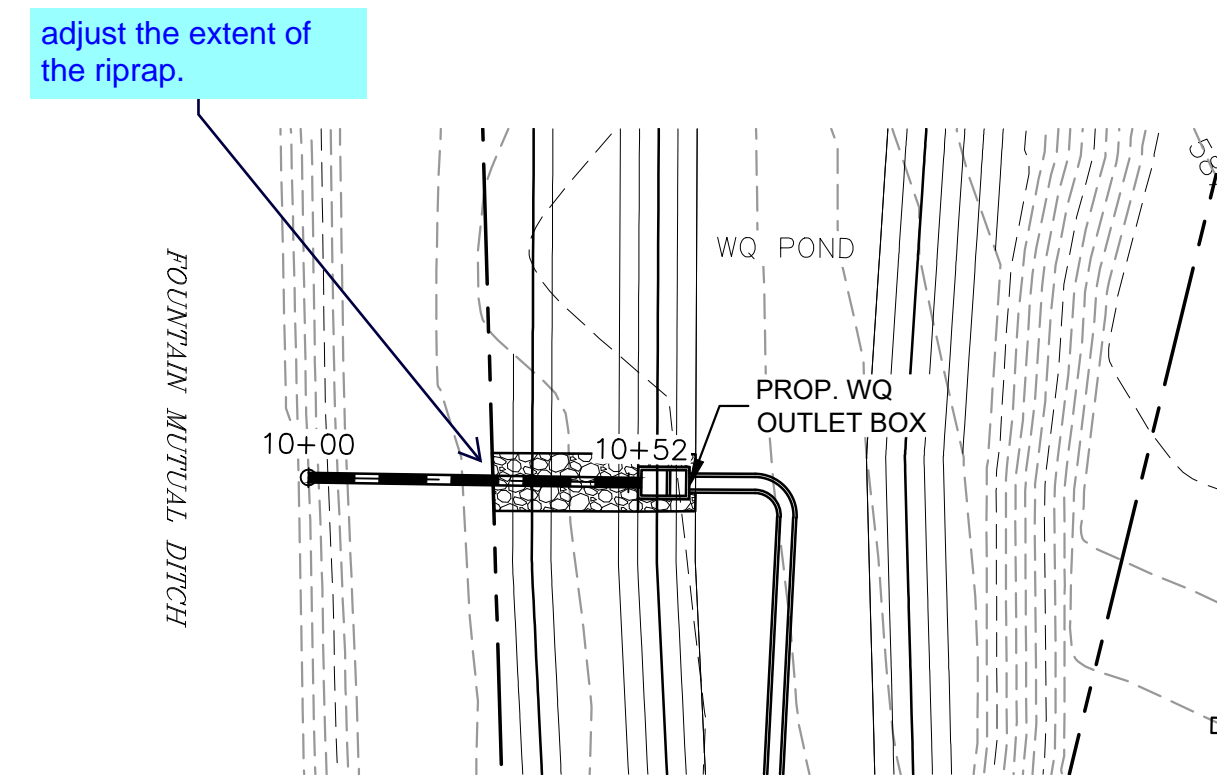
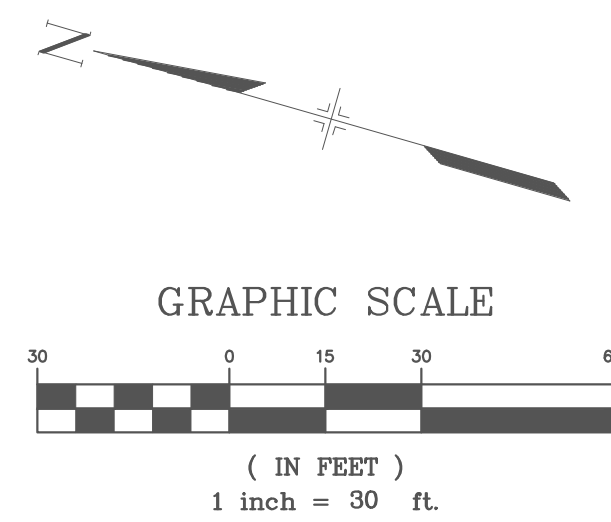
STORM LINE FOR POND

Extent of riprap does not match the spillway detail on sheet 6 which shows riprap extending 10 feet past the toe of the channel and 3 feet below the bottom of channel.

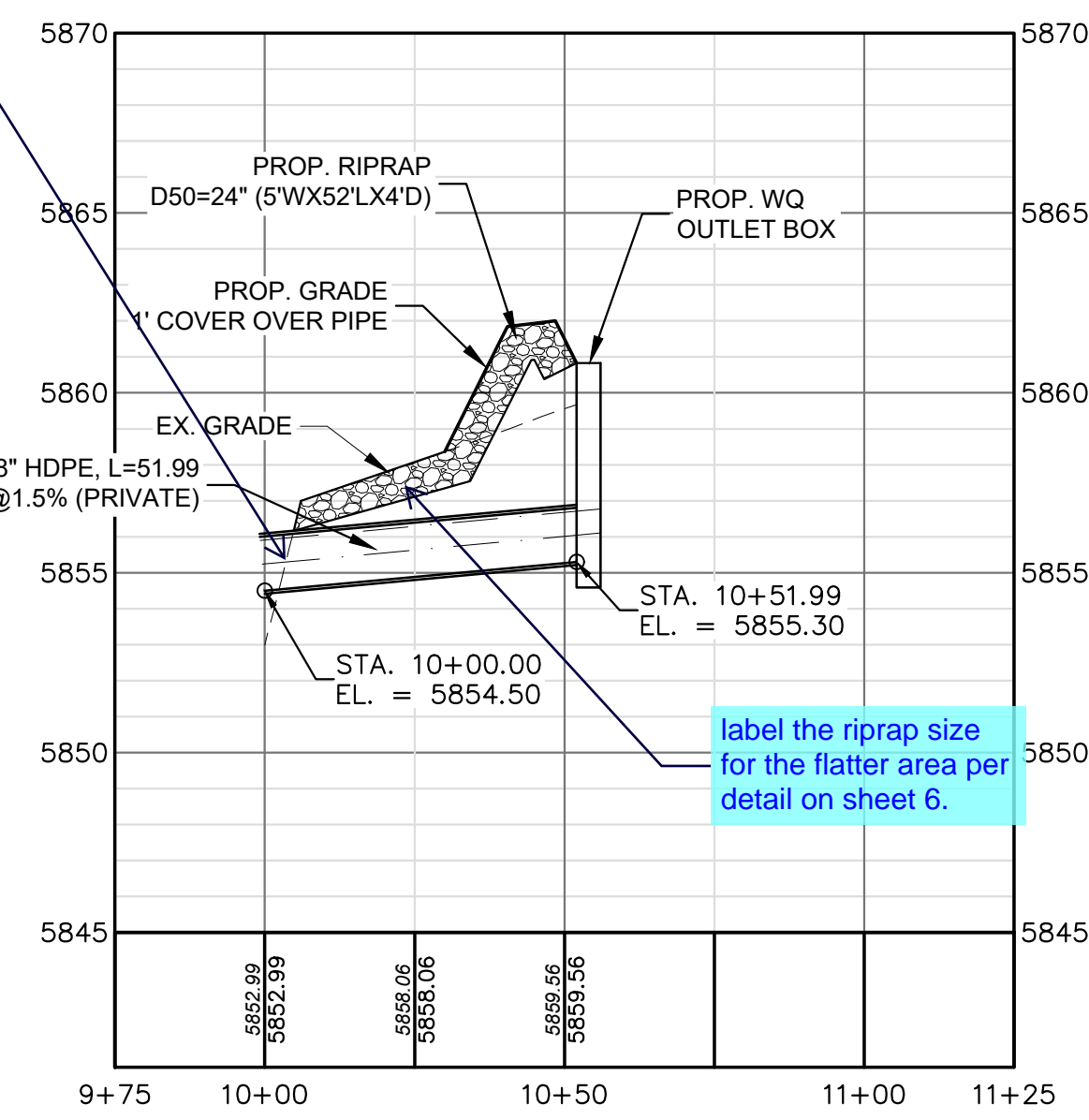


STORM PROFILE

HOR: 1"=30'
VERT: 1"=5'

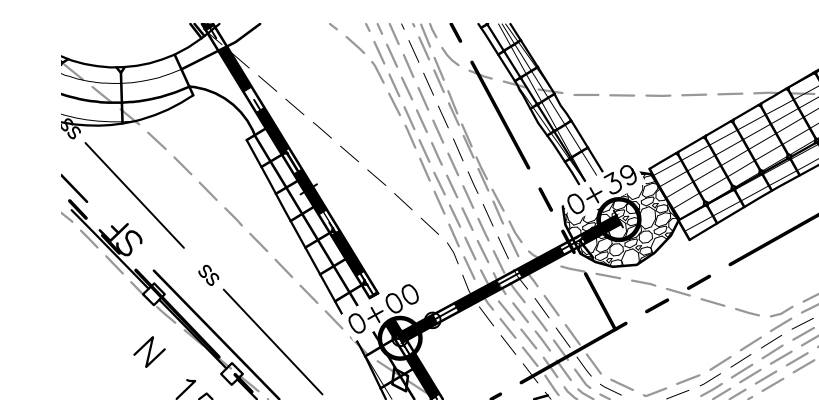
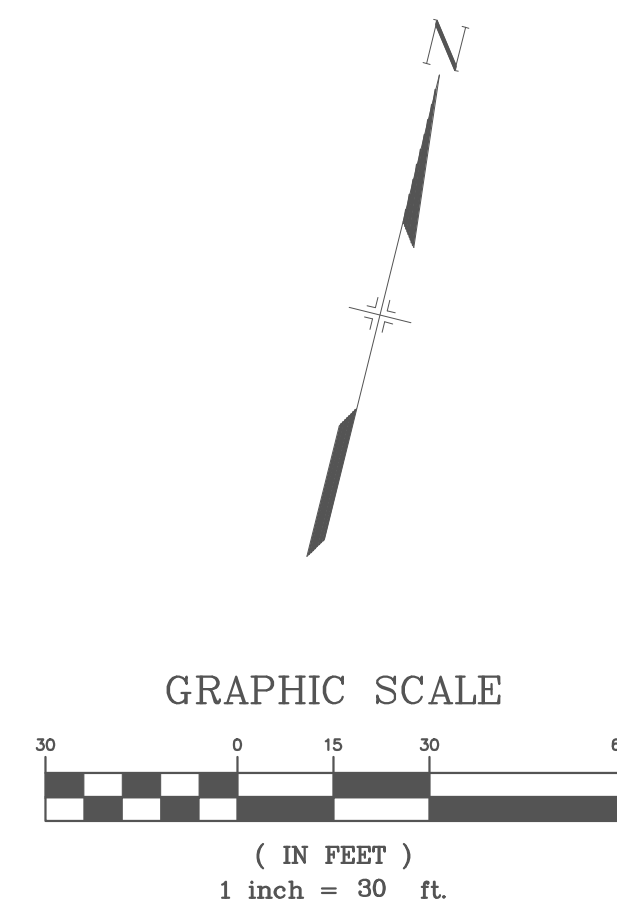


OUTLET PIPE

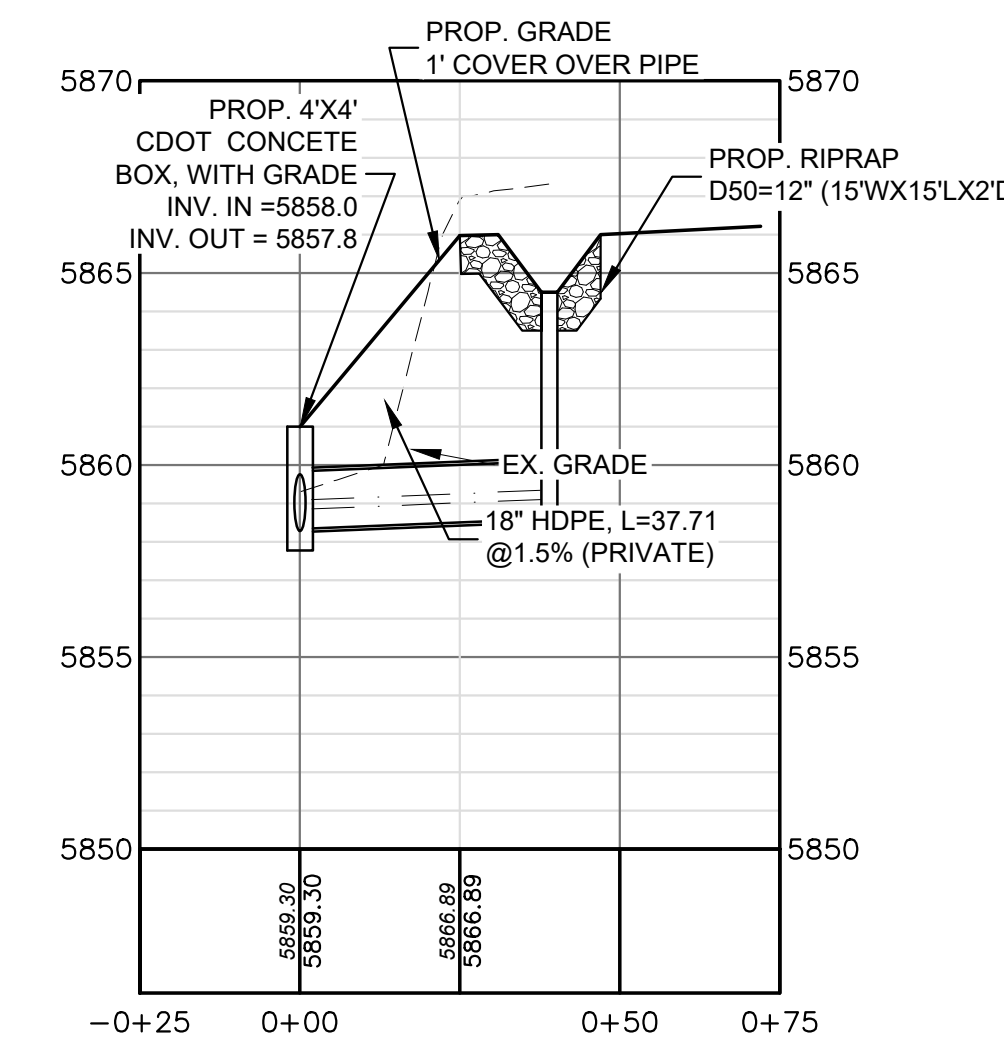


STORM PROFILE

HOR: 1"=30'
VERT: 1"=5'

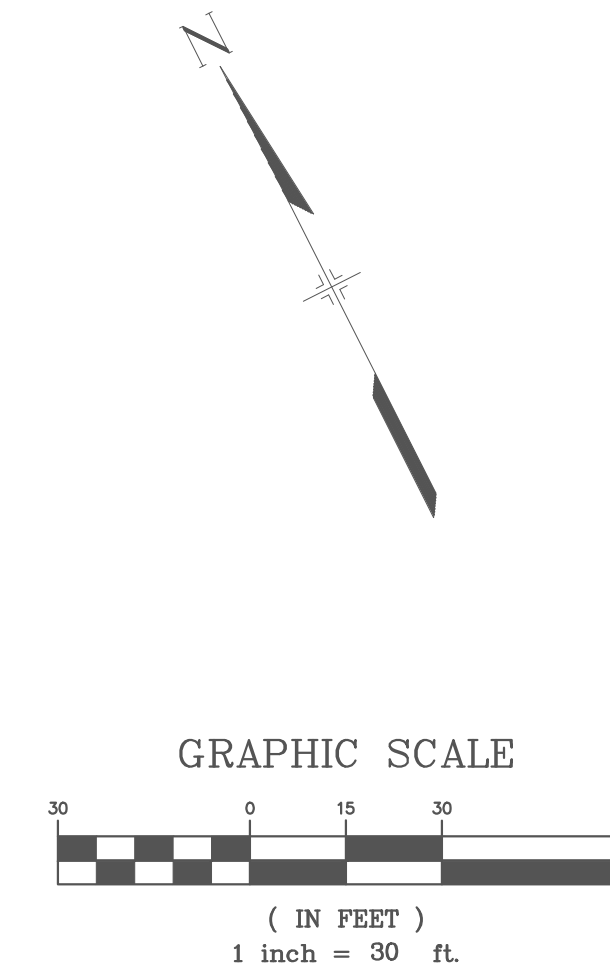


STORM PIPE FROM LOT 3A



STORM PROFILE

HOR: 1"=30'
VERT: 1"=5'



- NOTE:
- GRADES FOR TEMPORARY ACCESS ROAD TO FOUNTAIN CREEK MUST BE RESTORED TO EXISTING CONDITION.
 -

LEGEND

- PROPOSED STORM LINE
- EXISTING CONTOURS
- PROPOSED CONTOURS
- EXISTING FENCE
- EXISTING LOTS LINES

NO.	DATE	DESCRIPTION	BY
REVISIONS			

CTR Engineering, Inc.

16392 TIMBER MEADOW DRIVE
COLORADO SPRINGS, CO 80908
(719) 964-6654

PROJECT:
CLEAR VIEW
INDUSTRIAL PARK FILING 2A

BENCHMARK:
Elevations are based upon FIMS monument DR02, a 2" aluminum cap, stamped "CSU FIMS CONTROL DR02", at the southeast corner of Monica Drive and Hancock Expressway (Elevation=5927.27 NGVD29)

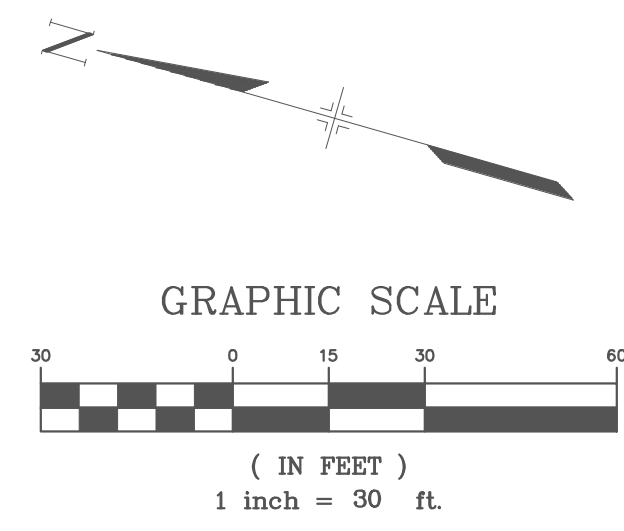
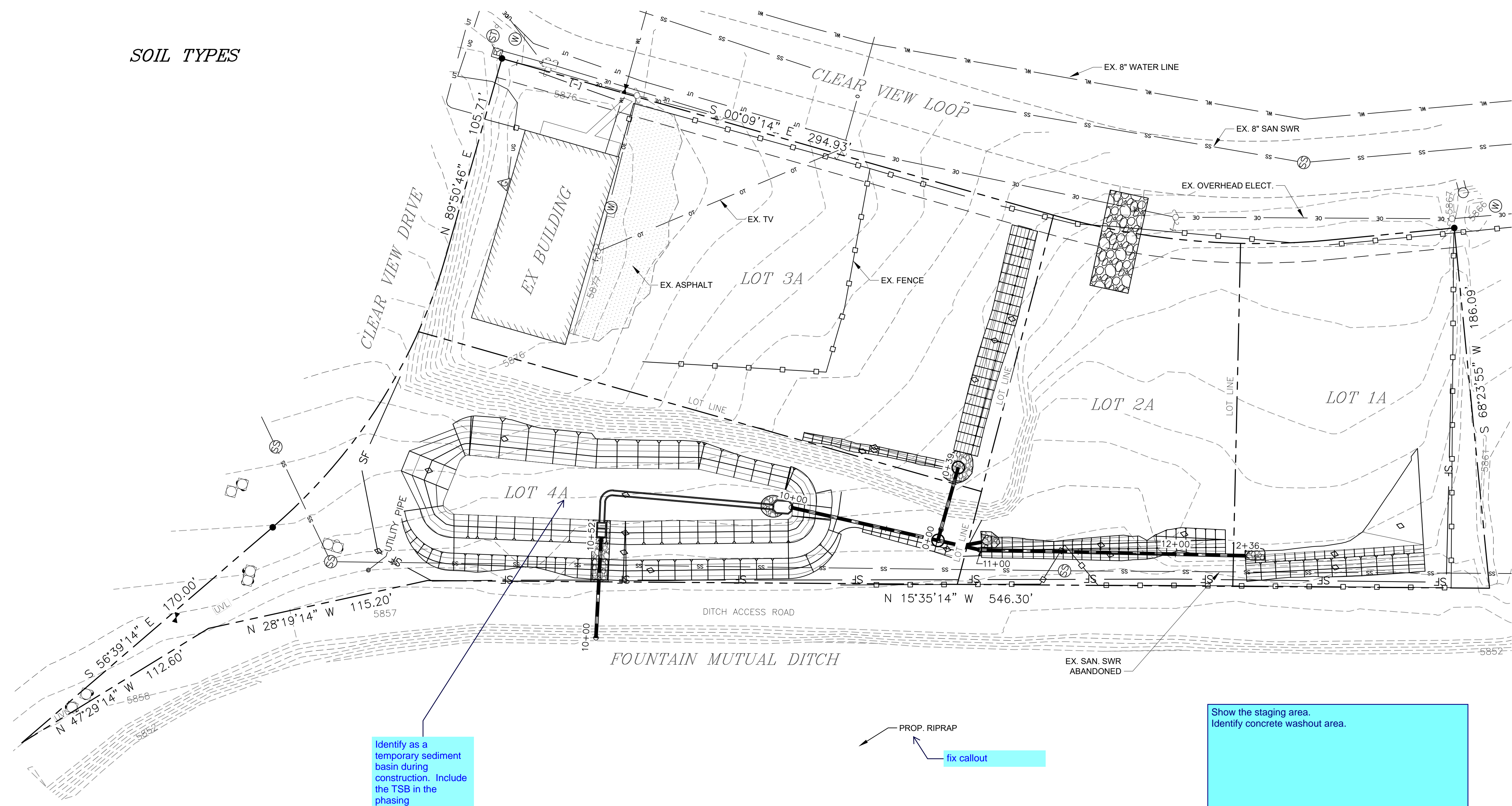
PROJECT TITLE:
GRADING, WATER QUALITY POND
AND EROSION CONTROL

SHEET TITLE:
STORM PLAN
AND PROFILE

DESIGNED BY: JCM SCALE: DATE ISSUED: MAY 2020
DRAWN BY: JCM H: 1"=40' SHEET NO. 5 OF 13 SHEETS
CHECKED BY: JH V:

DWG:

SOIL TYPES



LEGEND

- PROPOSED STORM LINE
- EXISTING CONTOURS
- PROPOSED CONTOURS
- EXISTING FENCE
- EXISTING LOTS LINES

Identify as a temporary sediment basin during construction. Include the TSB in the phasing

PROP. RIPRAP
fix callout

Show the staging area.
Identify concrete washout area.

LEGEND

- VTC VEHICLE TRACKING CONTROL
- SF SILT FENCE
- SCL SEDIMENT CONTROL LOG
- ECB EROSION CONTROL BLANKET
- MU MULCHING

EROSION CONTROL PHASING

- PHASE 1:
- PHASE 2:
- PHASE 3:
- PERMANENT:
- SLOPE PROTECTION:

- NOTE:
- 1) GRADES FOR TEMPORARY ACCESS ROAD TO FOUNTAIN CREEK MUST BE RESTORED TO EXISTING CONDITION.
 - 2) AREA OF DISTURBANCE = 1.2 AC. +/-
 - 3) AREA OF CUT = 0.76 AC. +/-
 - 4) CONSTRUCTION PERIMETER TO FOLLOW SILT FENCE LINE
 - 5) EXCESS SOIL TO BE PLACED ALONG FOUNTAIN CREEK BANK NEAR RIPRAP. SOIL TO BE COVERED WITH EROSION CONTROL BLANKET.
 - 6) SITE CONSISTS OF NATIVE GRASSES AND TREES. ALL TREES WITHIN THE GRADING AREA WILL BE REMOVED FROM THE SITE.
 - 7) FOR SOIL TYPES, SEE TABLE THIS SHEET.

NO.	DATE	DESCRIPTION	BY
REVISIONS			
CTR Engineering, Inc.			
16392 TIMBER MEADOW DRIVE COLORADO SPRINGS, CO 80908 (719) 964-6654			
PROJECT: CLEAR VIEW INDUSTRIAL PARK FILING 2A			
BENCHMARK: Elevations are based upon FIMS monument DR02, a 2" aluminum cap, stamped "CSU FIMS CONTROL DR02", at the southeast corner of Monica Drive and Hancock Expressway (Elevation=5927.27 NGVD29)			
PROJECT TITLE: GRADING, WATER QUALITY POND AND EROSION CONTROL			
SHEET TITLE: EROSION CONTROL PLAN			
DESIGNED BY: JCM	SCALE: 1"=40'	DATE ISSUED: MAY 2020	
DRAWN BY: JCM			
CHECKED BY: JH		SHEET NO. 5 OF 13 SHEETS	
DWG:			

Silt Fence (SF)

SC-1

Description

A silt fence is a woven geotextile fabric attached to wooden posts and trenched into the ground. It is designed as a sediment barrier to intercept sheet flow runoff from disturbed areas.



Photograph SF-1. Silt fence creates a sediment barrier, forcing sheet flow runoff to evaporate or infiltrate.

Appropriate Uses

A silt fence can be used where runoff is conveyed from a disturbed area as sheet flow. Silt fence is not designed to receive concentrated flow or to be used as a filter fabric. Typical uses include:

- Down slope of a disturbed area to accept sheet flow.
- Along the perimeter of a receiving water such as a stream, pond or wetland.
- At the perimeter of a construction site.

Design and Installation

Silt fence should be installed along the contour of slopes so that it intercepts sheet flow. The maximum recommended tributary drainage area per 100 lineal feet of silt fence, installed along the contour, is approximately 0.25 acres with a disturbed slope length of up to 150 feet and a tributary slope gradient no steeper than 3:1. Longer and steeper slopes require additional measures. This recommendation only applies to silt fence installed along the contour. Silt fence installed for other uses, such as perimeter control, should be installed in a way that will not produce concentrated flows. For example, a "J-hook" installation may be appropriate to force runoff to pond and evaporate or infiltrate in multiple areas rather than concentrate and cause erosive conditions parallel to the silt fence.

See Detail SF-1 for proper silt fence installation, which involves proper trenching, staking, securing the fabric to the stakes, and backfilling the silt fence. Properly installed silt fence should not be easily pulled out by hand and there should be no gaps between the ground and the fabric.

Silt fence must meet the minimum allowable strength requirements, depth of installation requirement, and other specifications in the design details. Improper installation of silt fence is a common reason for silt fence failure; however, when properly installed and used for the appropriate purposes, it can be highly effective.

Silt Fence	
Functions	
Erosion Control	No
Sediment Control	Yes
Site/Material Management	No

SC-1

Silt Fence (SF)

Maintenance and Removal

Inspection of silt fence includes observing the material for tears or holes and checking for slumping fence and undercut areas bypassing flows. Repair of silt fence typically involves replacing the damaged section with a new section. Sediment accumulated behind silt fence should be removed, as needed to maintain BMP effectiveness, typically before it reaches a depth of 6 inches.

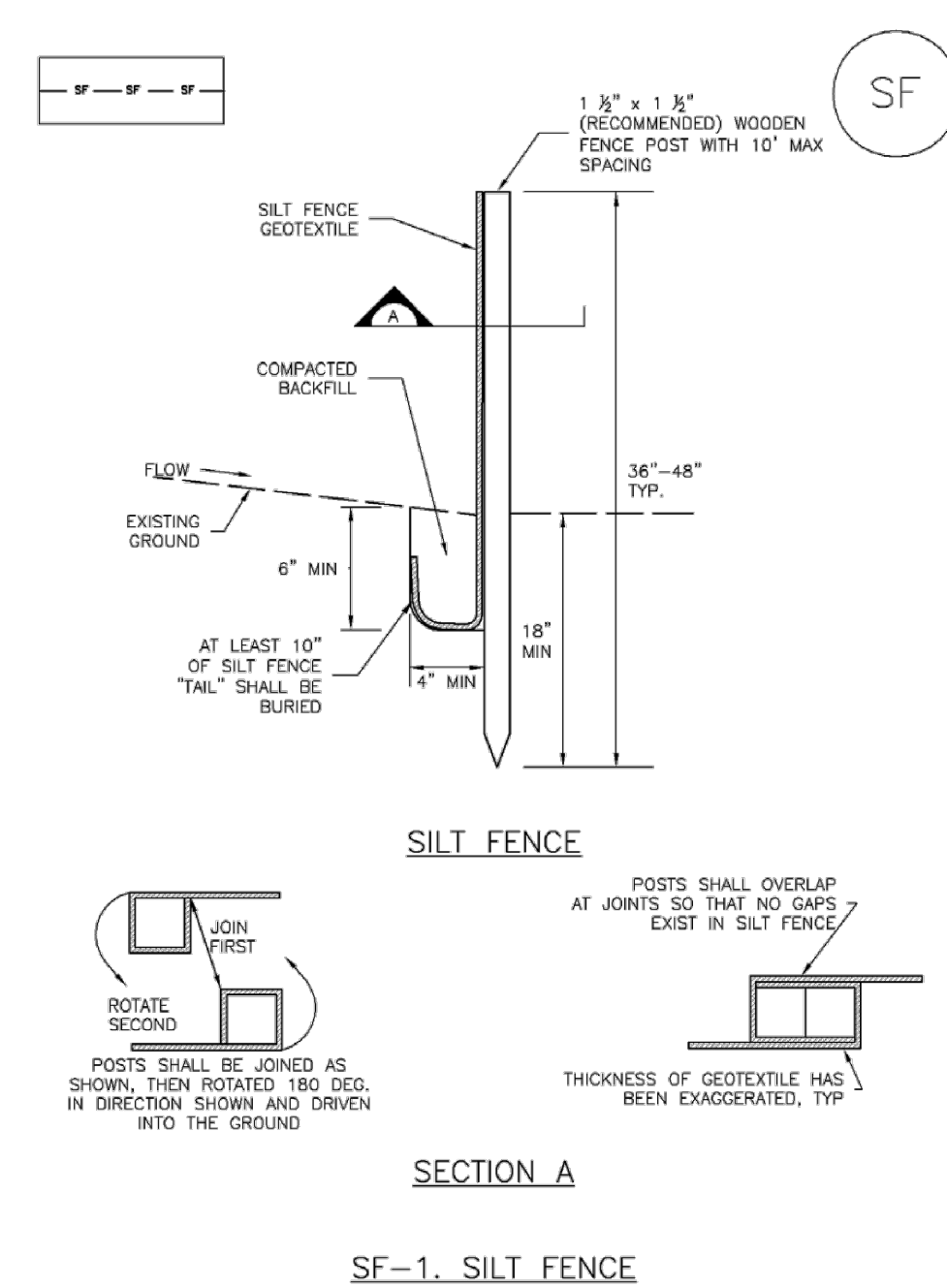
Silt fence may be removed when the upstream area has reached final stabilization.



Photograph SF-2. When silt fence is not installed along the contour, a "J-hook" installation may be appropriate to ensure that the BMP does not create concentrated flow parallel to the silt fence. Photo courtesy of Tom Gore.

Silt Fence (SF)

SC-1



SC-1

Silt Fence (SF)

SILT FENCE INSTALLATION NOTES

- SILT FENCE MUST BE PLACED AWAY FROM THE TOE OF THE SLOPE TO ALLOW FOR WATER PONDING. SILT FENCE AT THE TOE OF A SLOPE SHOULD BE INSTALLED IN A FLAT LOCATION AT LEAST SEVERAL FEET (2-3 FT) FROM THE TOE OF THE SLOPE TO ALLOW ROOM FOR PONDING AND DEPOSITION.
- A UNIFORM 6" X 4" ANCHOR TRENCH SHALL BE EXCAVATED USING TRENCHER OR SILT FENCE INSTALLATION DEVICE. NO ROAD GRADERS, BACKHOES, OR SIMILAR EQUIPMENT SHALL BE USED.
- COMPACT ANCHOR TRENCH BY HAND WITH A "JUMPING JACK" OR BY WHEEL ROLLING. COMPACTION SHALL BE SUCH THAT SILT FENCE RESISTS BEING PULLED OUT OF ANCHOR TRENCH BY HAND.
- SILT FENCE SHALL BE PULLED TIGHT AS IT IS ANCHORED TO THE STAKES. THERE SHOULD BE NO NOTICEABLE SAG BETWEEN STAKES AFTER IT HAS BEEN ANCHORED TO THE STAKES.
- SILT FENCE FABRIC SHALL BE ANCHORED TO THE STAKES USING 1" HEAVY DUTY STAPLES OR NAILS WITH 1" HEADS. STAPLES AND NAILS SHOULD BE PLACED 3" ALONG THE FABRIC DOWN THE STAKE.
- AT THE END OF A RUN OF SILT FENCE ALONG A CONTOUR, THE SILT FENCE SHOULD BE TURNED PERPENDICULAR TO THE CONTOUR TO CREATE A "J-HOOK." THE "J-HOOK" EXTENDING PERPENDICULAR TO THE CONTOUR SHOULD BE OF SUFFICIENT LENGTH TO KEEP RUNOFF FROM FLOWING AROUND THE END OF THE SILT FENCE (TYPICALLY 10' - 20').
- SILT FENCE SHALL BE INSTALLED PRIOR TO ANY LAND DISTURBING ACTIVITIES.

SILT FENCE MAINTENANCE NOTES

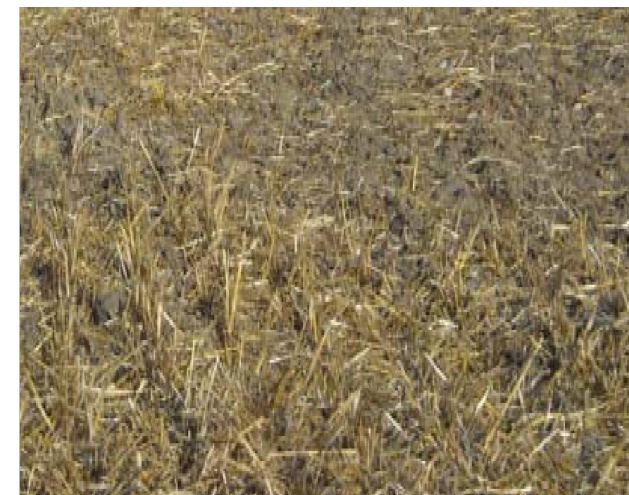
- INSPECT BMPs EACH WORKDAY, AND MAINTAIN THEM IN EFFECTIVE OPERATING CONDITION. MAINTENANCE OF BMPs SHOULD BE PROACTIVE, NOT REACTIVE. INSPECT BMPs AS SOON AS POSSIBLE (AND ALWAYS WITHIN 24 HOURS) FOLLOWING A STORM THAT CAUSES SURFACE EROSION, AND PERFORM NECESSARY MAINTENANCE.
 - FREQUENT OBSERVATIONS AND MAINTENANCE ARE NECESSARY TO MAINTAIN BMPs IN EFFECTIVE OPERATING CONDITION. INSPECTIONS AND CORRECTIVE MEASURES SHOULD BE DOCUMENTED THOROUGHLY.
 - WHERE BMPs HAVE FAILED, REPAIR OR REPLACEMENT SHOULD BE INITIATED UPON DISCOVERY OF THE FAILURE.
 - SEDIMENT ACCUMULATED UPSTREAM OF THE SILT FENCE SHALL BE REMOVED AS NEEDED TO MAINTAIN THE FUNCTIONALITY OF THE BMP, TYPICALLY WHEN DEPTH OF ACCUMULATED SEDIMENTS IS APPROXIMATELY 6".
 - REPAIR OR REPLACE SILT FENCE WHEN THERE ARE SIGNS OF WEAR, SUCH AS SAGGING, TEARING, OR COLLAPSE.
 - SILT FENCE IS TO REMAIN IN PLACE UNTIL THE UPSTREAM DISTURBED AREA IS STABILIZED AND APPROVED BY THE LOCAL JURISDICTION, OR IS REPLACED BY AN EQUIVALENT PERIMETER SEDIMENT CONTROL BMP.
 - WHEN SILT FENCE IS REMOVED, ALL DISTURBED AREAS SHALL BE COVERED WITH TOPSOIL, SEEDED AND MULCHED OR OTHERWISE STABILIZED AS APPROVED BY LOCAL JURISDICTION.
- (DETAIL ADAPTED FROM TOWN OF PARKER, COLORADO AND CITY OF AURORA, NOT AVAILABLE IN AUTOCAD)
NOTE: MANY JURISDICTIONS HAVE BMP DETAILS THAT VARY FROM UDFCD STANDARD DETAILS. CONSULT WITH LOCAL JURISDICTIONS AS TO WHICH DETAIL SHOULD BE USED WHEN DIFFERENCES ARE NOTED.

Mulching (MU)

EC-4

Description

Mulching consists of evenly applying straw, hay, shredded wood mulch, rock, bark or compost to disturbed soils and securing the mulch by crimping, tackifiers, netting or other measures. Mulching helps reduce erosion by protecting bare soil from rainfall impact, increasing infiltration, and reducing runoff. Although often applied in conjunction with temporary or permanent seeding, it can also be used for temporary stabilization of areas that cannot be reseeded due to seasonal constraints.



Photograph MU-1. An area that was recently seeded, mulched, and crimped.

Mulch can be applied either using standard mechanical dry application methods or using hydromulching equipment that hydraulically applies a slurry of water, wood fiber mulch, and often a tackifier.

Appropriate Uses

Use mulch in conjunction with seeding to help protect the seedbed and stabilize the soil. Mulch can also be used as a temporary cover on low to mild slopes to help temporarily stabilize disturbed areas where growing season constraints prevent effective reseeding. Disturbed areas should be properly mulched and tacked, or seeded, mulched and tacked promptly after final grade is reached (typically within no longer than 14 days) on portions of the site not otherwise permanently stabilized.

Standard dry mulching is encouraged in most jurisdictions; however, hydromulching may not be allowed in certain jurisdictions or may not be allowed near waterways.

Do not apply mulch during windy conditions.

Design and Installation

Prior to mulching, surface-roughen areas by rolling with a crimping or punching type roller or by track walking. Track walking should only be used where other methods are impractical because track walking with heavy equipment typically compacts the soil.

A variety of mulches can be used effectively at construction sites. Consider the following:

Mulch	
Functions	
Erosion Control	Yes
Sediment Control	Moderate
Site/Material Management	No

EC-4

Mulching (MU)

- Clean, weed-free and seed-free cereal grain straw should be applied evenly at a rate of 2 tons per acre and must be tacked or fastened by a method suitable for the condition of the site. Straw mulch must be anchored (and not merely placed) on the surface. This can be accomplished mechanically by crimping or with the aid of tackifiers or nets. Anchoring with a crimping implement is preferred, and is the recommended method for areas flatter than 3:1. Mechanical crimpers must be capable of tucking the long mulch fibers into the soil to a depth of 3 inches without cutting them. An agricultural disk, while not an ideal substitute, may work if the disk blades are dull or blunted and set vertically; however, the frame may have to be weighted to afford proper soil penetration.
- Grass hay may be used in place of straw; however, because hay is comprised of the entire plant including seed, mulching with hay may seed the site with non-native grass species which might in turn out-compete the native seed. Alternatively, native species of grass hay may be purchased, but can be difficult to find and are more expensive than straw. Purchasing and utilizing a certified weed-free straw is an easier and less costly mulching method. When using grass hay, follow the same guidelines as for straw (provided above).
- On small areas sheltered from the wind and heavy runoff, spraying a tackifier on the mulch is satisfactory for holding it in place. For steep slopes and special situations where greater control is needed, erosion control blankets anchored with stakes should be used instead of mulch.
- Hydraulic mulching consists of wood cellulose fibers mixed with water and a tackifying agent and should be applied at a rate of no less than 1,500 pounds per acre (1,425 lbs of fibers mixed with at least 75 lbs of tackifier) with a hydraulic mulcher. For steeper slopes, up to 2000 pounds per acre may be required for effective hydroseeding. Hydromulch typically requires up to 24 hours to dry; therefore, it should not be applied immediately prior to inclement weather. Application to roads, waterways and existing vegetation should be avoided.
- Erosion control mats, blankets, or nets are recommended to help stabilize steep slopes (generally 3:1 and steeper) and waterways. Depending on the product, these may be used alone or in conjunction with grass or straw mulch. Normally, use of these products will be restricted to relatively small areas. Biodegradable mats made of straw and jute, straw-coconut, coconut fiber, or excelsior can be used instead of mulch. (See the ECM/TRM BMP for more information.)
- Some tackifiers or binders may be used to anchor mulch. Check with the local jurisdiction for allowed tackifiers. Manufacturer's recommendations should be followed at all times. (See the Soil Binder BMP for more information on general types of tackifiers.)
- Rock can also be used as mulch. It provides protection of exposed soils to wind and water erosion and allows infiltration of precipitation. An aggregate base course can be spread on disturbed areas for temporary or permanent stabilization. The rock mulch layer should be thick enough to provide full coverage of exposed soil on the area it is applied.

Maintenance and Removal

After mulching, the bare ground surface should not be more than 10 percent exposed. Reapply mulch, as needed, to cover bare areas.

NO.	DATE	DESCRIPTION	BY
REVISIONS			
CTR Engineering, Inc.			
16392 TIMBER MEADOW DRIVE COLORADO SPRINGS, CO 80908 (719) 964-6654			
PROJECT: CLEAR VIEW INDUSTRIAL PARK FILING 2A			
BENCHMARK: Elevations are based upon FIMS monument DR02, a 2" aluminum cap, stamped "CSU FIMS CONTROL DR02", at the southeast corner of Monica Drive and Hancock Expressway (Elevation=5927.27 NGVD29)			
PROJECT TITLE: GRADING, WATER QUALITY POND AND EROSION CONTROL			
SHEET TITLE: GRADING AND EROSION DETAILS			
DESIGNED BY: JCM	SCALE: 1"=40'	DATE ISSUED: MAY 2020	
DRAWN BY: JCM			
CHECKED BY: JH			SHEET NO. 6 OF 13 SHEETS
DWG:			

Vehicle Tracking Control (VTC) SM-4

Description

Vehicle tracking controls provide stabilized construction site access where vehicles exit the site onto paved public roads. An effective vehicle tracking control helps remove sediment (mud or dirt) from vehicles, reducing tracking onto the paved surface.



Photograph VTC-1. A vehicle tracking control pad constructed with properly sized rock reduces off-site sediment tracking.

Appropriate Uses

Implement a stabilized construction entrance or vehicle tracking control where frequent heavy vehicle traffic exits the construction site onto a paved roadway. An effective vehicle tracking control is particularly important during the following conditions:

- Wet weather periods when mud is easily tracked off site.
- During dry weather periods where dust is a concern.
- When poorly drained, clayey soils are present on site.

Although wheel washes are not required in designs of vehicle tracking controls, they may be needed at particularly muddy sites.

Design and Installation

Construct the vehicle tracking control on a level surface. Where feasible, grade the tracking control towards the construction site to reduce off-site runoff. Place signage, as needed, to direct construction vehicles to the designated exit through the vehicle tracking control. There are several different types of stabilized construction entrances including:

VTC-1. Aggregate Vehicle Tracking Control. This is a coarse-aggregate surfaced pad underlain by a geotextile. This is the most common vehicle tracking control, and when properly maintained can be effective at removing sediment from vehicle tires.

VTC-2. Vehicle Tracking Control with Construction Mat or Turf Reinforcement Mat. This type of control may be appropriate for site access at very small construction sites with low traffic volume over vegetated areas. Although this application does not typically remove sediment from vehicles, it helps protect existing vegetation and provides a stabilized entrance.

Vehicle Tracking Control	
Erosion Control	Moderate
Sediment Control	Yes
Site/Material Management	Yes

SM-4 Vehicle Tracking Control (VTC)

VTC-3. Stabilized Construction Entrance/Exit with Wheel Wash. This is an aggregate pad, similar to VTC-1, but includes equipment for tire washing. The wheel wash equipment may be as simple as hand-held power washing equipment to more advanced proprietary systems. When a wheel wash is provided, it is important to direct wash water to a sediment trap prior to discharge from the site.

Vehicle tracking controls are sometimes installed in combination with a sediment trap to treat runoff.

Maintenance and Removal

Inspect the area for degradation and replace aggregate or material used for a stabilized entrance/exit as needed. If the area becomes clogged and ponds water, remove and dispose of excess sediment or replace material with a fresh layer of aggregate as necessary.

With aggregate vehicle tracking controls, ensure rock and debris from this area do not enter the public right-of-way.

Remove sediment that is tracked onto the public right of way daily or more frequently as needed. Excess sediment in the roadway indicates that the stabilized construction entrance needs maintenance.

Ensure that drainage ditches at the entrance/exit area remain clear.

A stabilized entrance should be removed only when there is no longer the potential for vehicle tracking to occur. This is typically after the site has been stabilized.

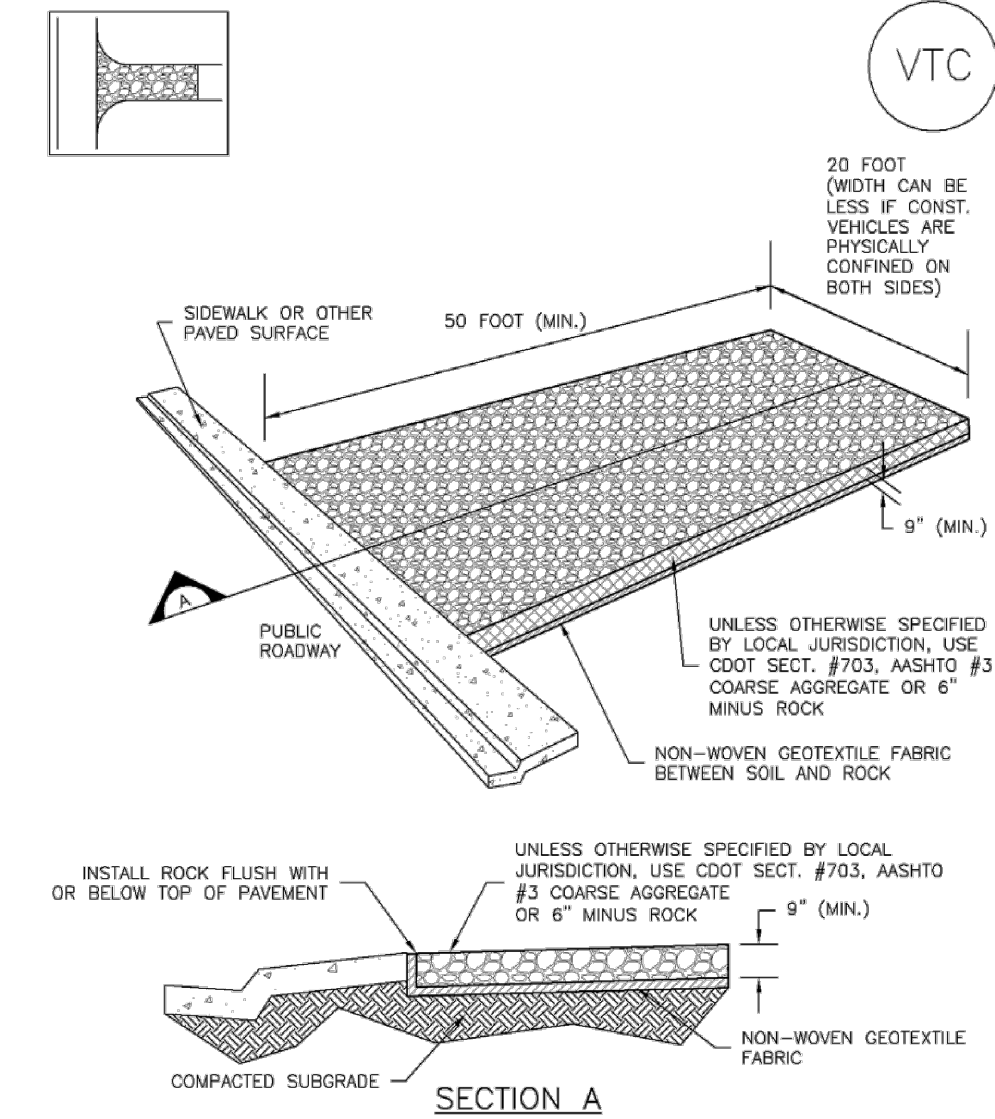
When wheel wash equipment is used, be sure that the wash water is discharged to a sediment trap prior to discharge. Also inspect channels conveying the water from the wash area to the sediment trap and stabilize areas that may be eroding.

When a construction entrance/exit is removed, excess sediment from the aggregate should be removed and disposed of appropriately. The entrance should be promptly stabilized with a permanent surface following removal, typically by paving.



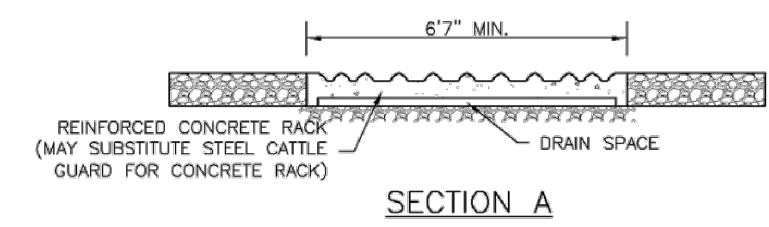
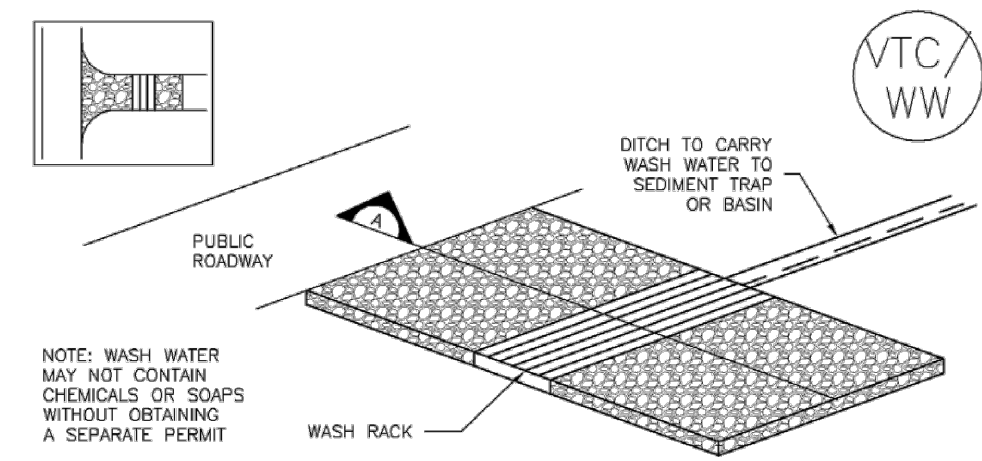
Photograph VTC-2. A vehicle tracking control pad with wheel wash facility. Photo courtesy of Tom Gore.

Vehicle Tracking Control (VTC) SM-4



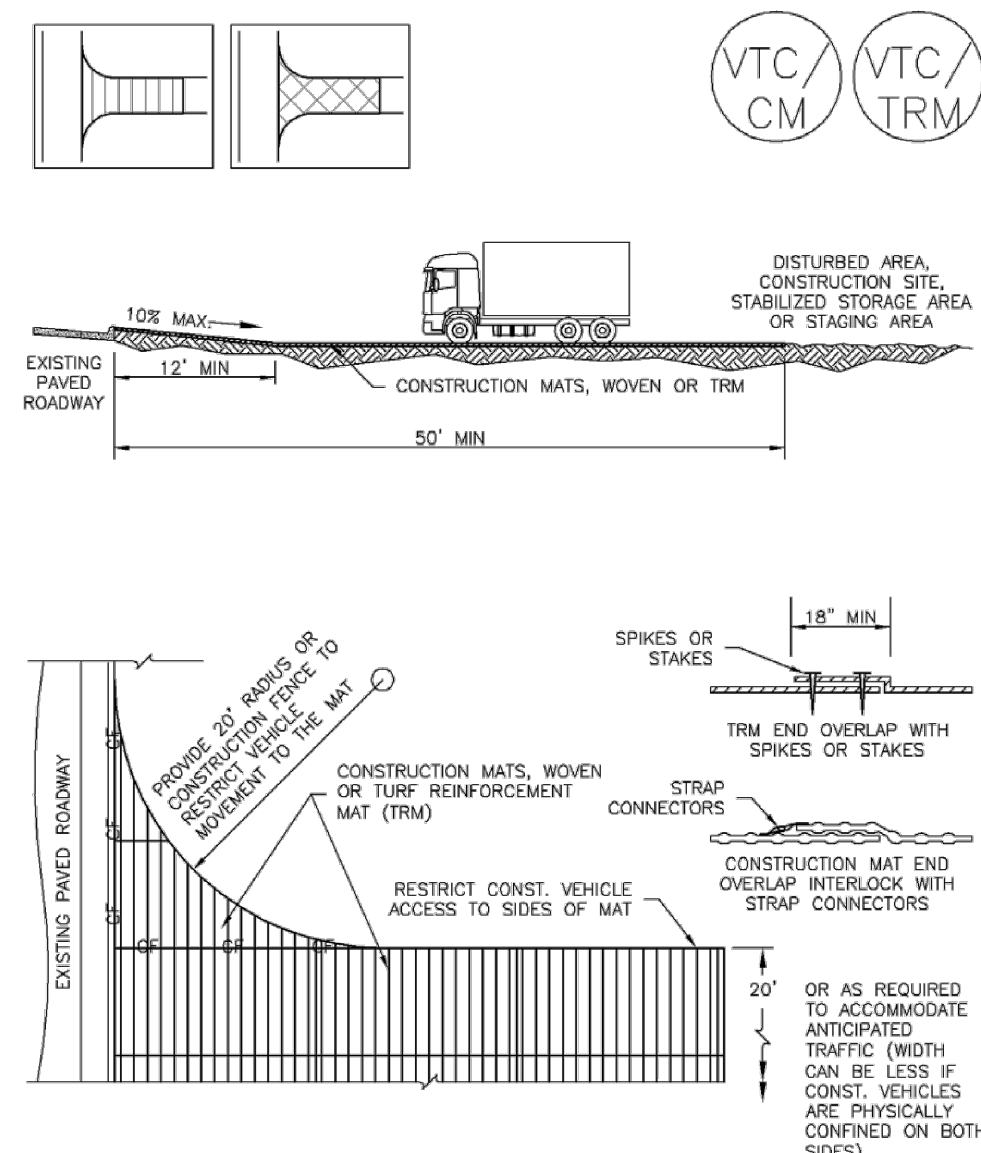
VTC-1. AGGREGATE VEHICLE TRACKING CONTROL

SM-4 Vehicle Tracking Control (VTC)



VTC-2. AGGREGATE VEHICLE TRACKING CONTROL WITH WASH RACK

Vehicle Tracking Control (VTC) SM-4



VTC-3. VEHICLE TRACKING CONTROL W/ CONSTRUCTION MAT OR TURF REINFORCEMENT MAT (TRM)

SM-4 Vehicle Tracking Control (VTC)

STABILIZED CONSTRUCTION ENTRANCE/EXIT INSTALLATION NOTES

1. SEE PLAN VIEW FOR -LOCATION OF CONSTRUCTION ENTRANCE(S)/EXIT(S) -TYPE OF CONSTRUCTION ENTRANCE(S)/EXIT(S) (WITH/WITHOUT WHEEL WASH, CONSTRUCTION MAT OR TRM).
2. CONSTRUCTION MAT OR TRM STABILIZED CONSTRUCTION ENTRANCES ARE ONLY TO BE USED ON SHORT DURATION PROJECTS (TYPICALLY RANGING FROM A WEEK TO A MONTH) WHERE THERE WILL BE LIMITED VEHICULAR ACCESS.
3. A STABILIZED CONSTRUCTION ENTRANCE/EXIT SHALL BE LOCATED AT ALL ACCESS POINTS WHERE VEHICLES ACCESS THE CONSTRUCTION SITE FROM PAVED RIGHT-OF-WAYS.
4. STABILIZED CONSTRUCTION ENTRANCE/EXIT SHALL BE INSTALLED PRIOR TO ANY LAND DISTURBING ACTIVITIES.
5. A NON-WOVEN GEOTEXTILE FABRIC SHALL BE PLACED UNDER THE STABILIZED CONSTRUCTION ENTRANCE/EXIT PRIOR TO THE PLACEMENT OF ROCK.
6. UNLESS OTHERWISE SPECIFIED BY LOCAL JURISDICTION, ROCK SHALL CONSIST OF DOT SECT. #703, AASHTO #3 COARSE AGGREGATE OR 6" (MINUS) ROCK.

STABILIZED CONSTRUCTION ENTRANCE/EXIT MAINTENANCE NOTES

1. INSPECT BMPs EACH WORKDAY, AND MAINTAIN THEM IN EFFECTIVE OPERATING CONDITION. MAINTENANCE OF BMPs SHOULD BE PROACTIVE, NOT REACTIVE. INSPECT BMPs AS SOON AS POSSIBLE (AND ALWAYS WITHIN 24 HOURS) FOLLOWING A STORM THAT CAUSES SURFACE EROSION, AND PERFORM NECESSARY MAINTENANCE.
2. FREQUENT OBSERVATIONS AND MAINTENANCE ARE NECESSARY TO MAINTAIN BMPs IN EFFECTIVE OPERATING CONDITION. INSPECTIONS AND CORRECTIVE MEASURES SHOULD BE DOCUMENTED THOROUGHLY.
3. WHERE BMPs HAVE FAILED, REPAIR OR REPLACEMENT SHOULD BE INITIATED UPON DISCOVERY OF THE FAILURE.
4. ROCK SHALL BE REAPPLIED OR REGRADED AS NECESSARY TO THE STABILIZED ENTRANCE/EXIT TO MAINTAIN A CONSISTENT DEPTH.
5. SEDIMENT TRACKED ONTO PAVED ROADS IS TO BE REMOVED THROUGHOUT THE DAY AND AT THE END OF THE DAY BY SHOVELING OR SWEEPING. SEDIMENT MAY NOT BE WASHED DOWN STORM SEWER DRAINS.

NOTE: MANY JURISDICTIONS HAVE BMP DETAILS THAT VARY FROM UDFCD STANDARD DETAILS. CONSULT WITH LOCAL JURISDICTIONS AS TO WHICH DETAIL SHOULD BE USED WHEN DIFFERENCES ARE NOTED.

(DETAILS ADAPTED FROM CITY OF BROOMFIELD, COLORADO, NOT AVAILABLE IN AUTOCAD)

NO.	DATE	DESCRIPTION	BY
REVISIONS			
CTR Engineering, Inc.			
16392 TIMBER MEADOW DRIVE COLORADO SPRINGS, CO 80908 (719) 964-6654			
PROJECT: CLEAR VIEW INDUSTRIAL PARK FILING 2A			
BENCHMARK: Elevations are based upon FIMS monument DR02, a 2" aluminum cap, stamped "CSU FIMS CONTROL DR02", at the southeast corner of Monica Drive and Hancock Expressway (Elevation=5927.27 NGVD29)			
PROJECT TITLE: GRADING, WATER QUALITY POND AND EROSION CONTROL			
SHEET TITLE: GRADING AND EROSION DETAILS			
DESIGNED BY: JCM	SCALE: 1"=40'	DATE ISSUED: MAY 2020	
DRAWN BY: JCM		SHEET NO. 7 OF 13 SHEETS	
CHECKED BY: JH			
DWG:			

Sediment Control Log (SCL)

SC-2

Description

A sediment control log is a linear roll made of natural materials such as straw, coconut fiber, or compost. The most common type of sediment control log has straw filling and is often referred to as a "straw wattle." All sediment control logs are used as a sediment barrier to intercept sheet flow runoff from disturbed areas.



Appropriate Uses

Sediment control logs can be used in the following applications to trap sediment:

- As perimeter control for stockpiles and the site.
- As part of inlet protection designs.
- As check dams in small drainage ditches. (Sediment control logs are not intended for use in channels with high flow velocities.)
- On disturbed slopes to shorten flow lengths (as an erosion control).
- As part of multi-layered perimeter control along a receiving water such as a stream, pond or wetland.



Photographs SCL-1 and SCL-2. Sediment control logs used as 1) a perimeter control around a soil stockpile; and, 2) as a "J-hook" perimeter control at the corner of a construction site.

Design and Installation

Sediment control logs should be installed along the contour to avoid concentrating flows. The maximum allowable tributary drainage area per 100 linear feet of sediment control log, installed along the contour, is approximately 0.25 acres with a disturbed slope length of up to 150 feet and a tributary slope gradient no steeper than 3:1. Longer and steeper slopes require additional measures. This recommendation only applies to sediment control logs installed along the contour. When installed for other uses, such as perimeter control, it should be installed in a way that will not produce concentrated flows. For example, a "J-hook" installation may be appropriate to force runoff to pond and evaporate or infiltrate in multiple areas rather than concentrate and cause erosive conditions parallel to the BMP.

Sediment Control Log	
Functions	
Erosion Control	Moderate
Sediment Control	Yes
Site/Material Management	No

SC-2 Sediment Control Log (SCL)

Although sediment control logs initially allow runoff to flow through the BMP, they can quickly become a barrier and should be installed as if they are impermeable.

Design details and notes for sediment control logs are provided in the following details. Sediment logs must be properly installed per the detail to prevent undercutting, bypassing and displacement. When installed on slopes, sediment control logs should be installed along the contours (i.e., perpendicular to flow).

Improper installation can lead to poor performance. Be sure that sediment control logs are properly trenched (if lighter than 8 lb/foot), anchored and tightly jointed.

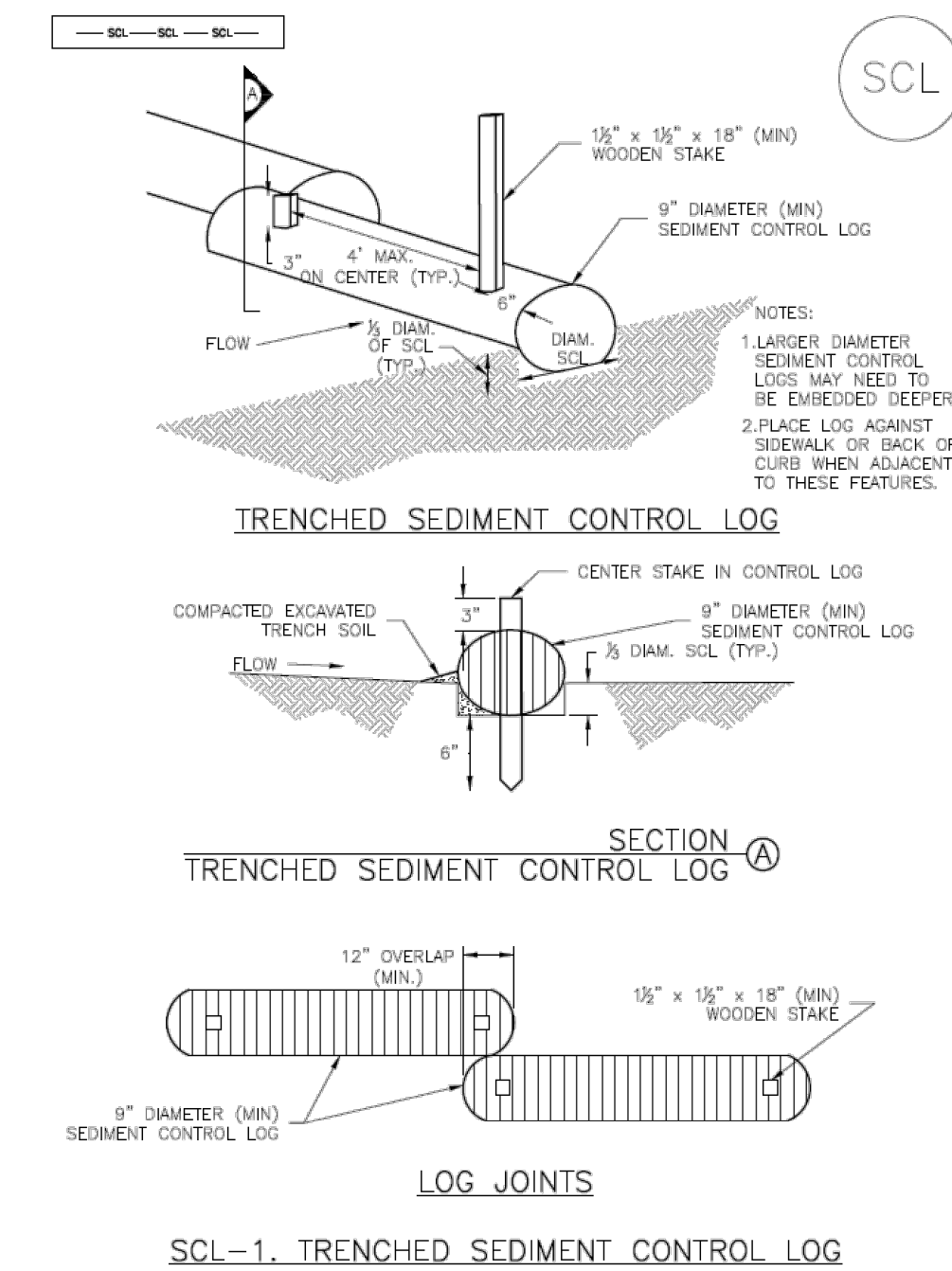
Maintenance and Removal

Be aware that sediment control logs will eventually degrade. Remove accumulated sediment before the depth is one-half the height of the sediment log and repair damage to the sediment log, typically by replacing the damaged section.

Once the upstream area is stabilized, remove and properly dispose of the logs. Areas disturbed beneath the logs may need to be seeded and mulched. Sediment control logs that are biodegradable may occasionally be left in place (e.g., when logs are used in conjunction with erosion control blankets as permanent slope breaks). However, removal of sediment control logs after final stabilization is typically appropriate when used in perimeter control, inlet protection and check dam applications. Compost from compost sediment control logs may be spread over the area and seeded as long as this does not cover newly established vegetation.

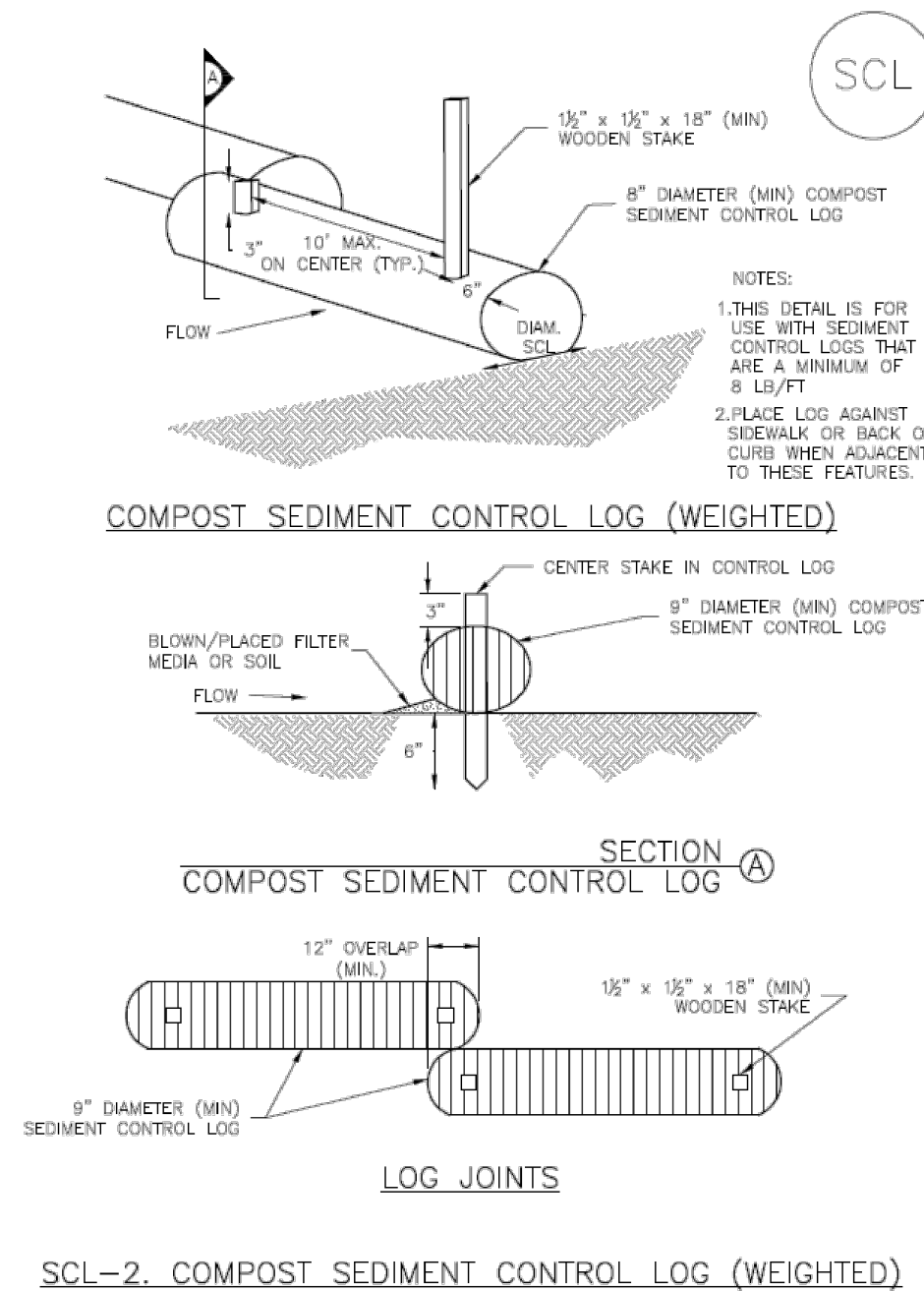
Sediment Control Log (SCL)

SC-2



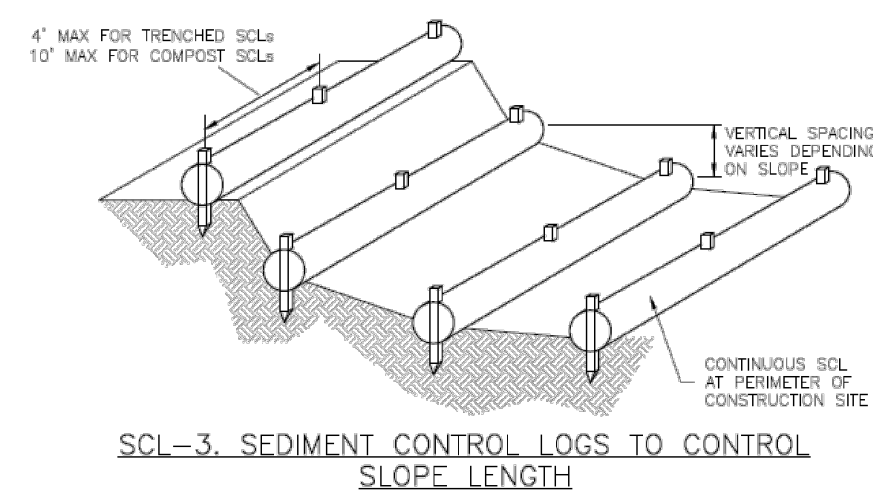
SCL-1. TRENCHED SEDIMENT CONTROL LOG

SC-2 Sediment Control Log (SCL)



SCL-2. COMPOST SEDIMENT CONTROL LOG (WEIGHTED)

Sediment Control Log (SCL) SC-2



SCL-3. SEDIMENT CONTROL LOGS TO CONTROL SLOPE LENGTH

SC-2 Sediment Control Log (SCL)

- SEDIMENT CONTROL LOG INSTALLATION NOTES**
- SEE PLAN VIEW FOR LOCATION AND LENGTH OF SEDIMENT CONTROL LOGS.
 - SEDIMENT CONTROL LOGS THAT ACT AS A PERIMETER CONTROL SHALL BE INSTALLED PRIOR TO ANY UPSTREAM LAND-DESTRUCTIVE ACTIVITIES.
 - SEDIMENT CONTROL LOGS SHALL CONSIST OF STRAW, COMPOST, EXCELSIOR OR COCONUT FIBER, AND SHALL BE FREE OF ANY NOXIOUS WEED SEEDS OR DEFECTS INCLUDING RIPS, HOLES AND OBVIOUS WEAR.
 - SEDIMENT CONTROL LOGS MAY BE USED AS SMALL CHECK DAMS IN DITCHES AND SWALES. HOWEVER, THEY SHOULD NOT BE USED IN PERENNIAL STREAMS.
 - IT IS RECOMMENDED THAT SEDIMENT CONTROL LOGS BE TRENCHED INTO THE GROUND TO A DEPTH OF APPROXIMATELY 1/3 OF THE DIAMETER OF THE LOG. IF TRENCHING TO THIS DEPTH IS NOT FEASIBLE AND/OR DESIRABLE (SHORT TERM INSTALLATION WITH DESIRE NOT TO DAMAGE LANDSCAPE) A LESSER TRENCHING DEPTH MAY BE ACCEPTABLE WITH MORE ROBUST STAKING. COMPOST LOGS THAT ARE 8 LB/FT DO NOT NEED TO BE TRENCHED.
 - THE UPHILL SIDE OF THE SEDIMENT CONTROL LOG SHALL BE BACKFILLED WITH SOIL OR FILTER MATERIAL THAT IS FREE OF ROCKS AND DEBRIS. THE SOIL SHALL BE TIGHTLY COMPACTED INTO THE SHAPE OF A RIGHT TRIANGLE USING A SHOVEL OR WEIGHTED LAWN ROLLER OR BLOWN IN PLACE.
 - FOLLOW MANUFACTURERS' GUIDANCE FOR STAKING. IF MANUFACTURERS' INSTRUCTIONS DO NOT SPECIFY SPACING, STAKES SHALL BE PLACED ON 4' CENTERS AND EMBEDDED A MINIMUM OF 6" INTO THE GROUND. 3" OF THE STAKE SHALL PROTRUDE FROM THE TOP OF THE LOG. STAKES THAT ARE BROKEN PRIOR TO INSTALLATION SHALL BE REPLACED. COMPOST LOGS SHOULD BE STAKED 10' ON CENTER.
- SEDIMENT CONTROL LOG MAINTENANCE NOTES**
- INSPECT BMPs EACH WORKDAY AND MAINTAIN THEM IN EFFECTIVE OPERATING CONDITION. MAINTENANCE OF BMPs SHOULD BE PROACTIVE, NOT REACTIVE. INSPECT BMPs AS SOON AS POSSIBLE (AND ALWAYS WITHIN 24 HOURS) FOLLOWING A STORM THAT CAUSES SURFACE EROSION, AND PERFORM NECESSARY MAINTENANCE.
 - FREQUENT OBSERVATIONS AND MAINTENANCE ARE NECESSARY TO MAINTAIN BMPs IN EFFECTIVE OPERATING CONDITION. INSPECTIONS AND CORRECTIVE MEASURES SHOULD BE DOCUMENTED THOROUGHLY.
 - WHERE BMPs HAVE FAILED, REPAIR OR REPLACEMENT SHOULD BE INITIATED UPON DISCOVERY OF THE FAILURE.
 - SEDIMENT ACCUMULATED UPSTREAM OF SEDIMENT CONTROL LOG SHALL BE REMOVED AS NEEDED TO MAINTAIN FUNCTIONALITY OF THE BMP, TYPICALLY WHEN DEPTH OF ACCUMULATED SEDIMENTS IS APPROXIMATELY 1/2 OF THE HEIGHT OF THE SEDIMENT CONTROL LOG.
 - SEDIMENT CONTROL LOG SHALL BE REMOVED AT THE END OF CONSTRUCTION. COMPOST FROM COMPOST LOGS MAY BE LEFT IN PLACE AS LONG AS BAGS ARE REMOVED AND THE AREA SEEDED. IF DISTURBED AREAS EXIST AFTER REMOVAL, THEY SHALL BE COVERED WITH TOP SOIL, SEEDED AND MULCHED OR OTHERWISE STABILIZED IN A MANNER APPROVED BY THE LOCAL JURISDICTION.
- (DETAILS ADAPTED FROM TOWN OF PARKER, COLORADO, JEFFERSON COUNTY, COLORADO, DOUGLAS COUNTY, COLORADO, AND CITY OF AURORA, COLORADO. NOT AVAILABLE IN AURORA.)
- NOTE: MANY JURISDICTIONS HAVE BMP DETAILS THAT VARY FROM IUDFC STANDARD DETAILS. CONSULT WITH LOCAL JURISDICTIONS AS TO WHICH DETAIL SHOULD BE USED WHEN DIFFERENCES ARE NOTED.

NO.	DATE	DESCRIPTION	BY
REVISIONS			
CTR Engineering, Inc.			
16392 TIMBER MEADOW DRIVE COLORADO SPRINGS, CO 80908 (719) 964-6654			
PROJECT:	CLEAR VIEW INDUSTRIAL PARK FILING 2A		
BENCHMARK:	Elevations are based upon FIMS monument DR02, a 2" aluminum cap, stamped "CSU FIMS CONTROL DR02", at the southeast corner of Monica Drive and Hancock Expressway (Elevation=5927.27 NGVD29)		
PROJECT TITLE:	GRADING, WATER QUALITY POND AND EROSION CONTROL		
SHEET TITLE:	GRADING AND EROSION DETAILS		
DESIGNED BY:	JCM	SCALE:	DATE ISSUED:
DRAWN BY:	JCM	1"=40'	MAY 2020
CHECKED BY:	JH	v:	SHEET NO. 8 OF 13 SHEETS
DWG:			

Compost Blanket and Filter Berm (CB) EC-5

Description

A compost blanket is a layer of compost uniformly applied to the soil in disturbed areas to control erosion, facilitate revegetation, and retain sediment resulting from sheet-flow runoff.

A compost filter berm is a dike of compost or a compost product that is placed perpendicular to runoff to control erosion in disturbed areas and retain sediment. Compost berms can be placed at regular intervals to help reduce the formation of rill and gully erosion when a compost blanket is stabilizing a slope.

Appropriate Uses

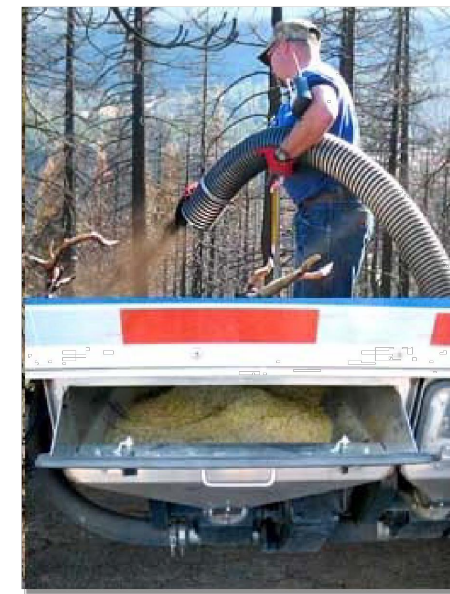
Compost blankets can be used as an alternative to erosion control blankets and mulching to help stabilize disturbed areas where sheet flow conditions are present. Compost blankets should not be used in areas of concentrated flows. Compost provides an excellent source of nutrients for plant growth, and should be considered for use in areas that will be permanently vegetated.

Design and Installation

See Detail CB-1 for design details and notes.

Do not place compost in areas where it can easily be transported into drainage pathways or waterways. When using a compost blanket on a slope, berms should be installed periodically to reduce the potential for concentrated flow and rilling. Seeding should be completed before an area is composted or incorporated into the compost.

Compost quality is an important consideration when selecting compost blankets or berms. Representative compost quality factors include pH, salinity, moisture content, organic matter content, stability (maturity), and physical contaminants. The compost should meet all local, state, and federal quality requirements. Biosolids compost must meet the Standards for Class A biosolids outlined in 40 CFR Part 503. The U.S. Composting Council (USCC) certifies compost products under its Seal of Testing Assurance (STA) Program. Compost producers whose products have been certified through the STA Program provide customers with a standard product label that allows comparison between compost products. Only STA certified, Class 1 compost should be used.



Photograph CB-1. Application of a compost blanket to a disturbed area. Photo courtesy of Caltrans.

Compost Blankets and Berms	
Functions	
Erosion Control	Yes
Sediment Control	Moderate
Site/Material Management	No

November 2010 Urban Drainage and Flood Control District Urban Storm Drainage Criteria Manual Volume 3 CB-1

EC-5 Compost Blanket and Filter Berm (CB)

Maintenance and Removal

When rills or gullies develop in an area that has been composted, fill and cover the area with additional compost and install berms as necessary to help reduce erosion.

Weed control can be a maintenance challenge in areas using compost blankets. A weed control strategy may be necessary, including measures such as mechanical removal and spot application of targeted herbicides by licensed applicators.

For compost berms, accumulated sediments should be removed from behind the berm when the sediments reach approximately one third the height of the berm. Areas that have been washed away should be replaced. If the berm has experienced significant or repeated washouts, a compost berm may not be the appropriate BMP for this area.

Compost blankets and berms biodegrade and do not typically require removal following site stabilization.

EC-2 Urban Drainage and Flood Control District Urban Storm Drainage Criteria Manual Volume 3 November 2010

Compost Blanket and Filter Berm (CB) EC-5

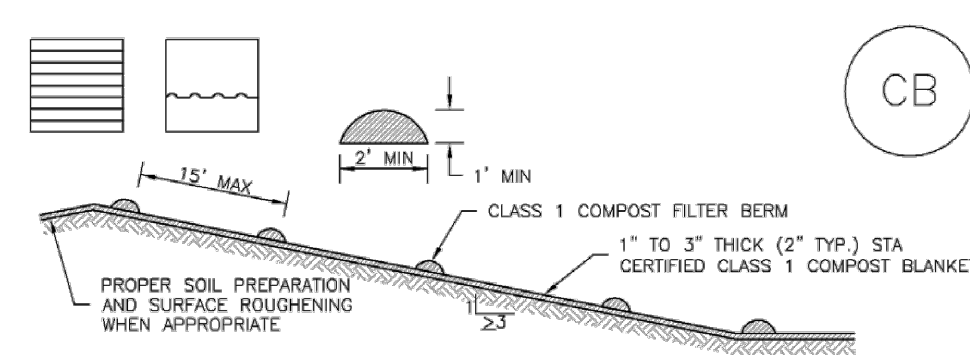


TABLE CB-1. CLASS 1 COMPOST	
PARAMETERS	CHARACTERISTIC
MINIMUM STABILITY INDICATOR	STABLE TO VERY STABLE
SOLUBLE SALTS	MAXIMUM 5 mmhos/cm
PH	6.0 - 8.0
AG INDEX	> 10
MATURITY INDICATOR EXPRESSED AS PERCENTAGE OF GERMINATION/VIGOR	80+ / 80+
MATURITY INDICATOR EXPRESSED AS AMMONIA N/ NITRATE N RATIO	< 4
MATURITY INDEX AS CARBON TO NITROGEN RATIO	20:1
TESTED FOR CLOSTRIDIA	YES/NEGATIVE RESULT
MOISTURE CONTENT	30-60%
ORGANIC MATTER CONTENT	25-45% OF DRY WEIGHT
PARTICLE SIZE DISTRIBUTION	3" (75mm) 100% PASSING
PRIMARY, SECONDARY NUTRIENTS, TRACE ELEMENTS	MUST BE REPORTED
TESTING AND TEST REPORT SUBMITTAL REQUIREMENTS	STA = CLOSTRIDIA
ORGANIC MATTER PER CUBIC YARD	MUST REPORT
CHEMICAL CONTAMINANTS	COMPLY WITH US EPA CLASS A STANDARD, 40 CFR 503.1 TABLES 1 & 3 LEVELS
MINIMUM MANUFACTURING/PRODUCTION REQUIREMENT	FULLY PERMITTED UNDER COLORADO DEPARTMENT OF PUBLIC HEALTH AND ENVIRONMENT, HAZARDOUS MATERIALS AND WASTE MANAGEMENT DIVISION
RISK FACTOR RELATING TO PLANT GERMINATION AND HEALTH	LOW

CB-1. COMPOST BLANKET AND COMPOST FILTER BERM

November 2010 Urban Drainage and Flood Control District Urban Storm Drainage Criteria Manual Volume 3 CB-3

EC-5 Compost Blanket and Filter Berm (CB)

COMPOST FILTER BERM AND COMPOST BLANKET INSTALLATION NOTES

- SEE PLAN VIEW FOR -LOCATION OF COMPOST FILTER BERM(S). -LENGTH OF COMPOST FILTER BERM(S).
- COMPOST BERMS AND BLANKETS MAY BE USED IN PLACE OF STRAW MULCH OR GEOTEXTILE FABRIC IN AREAS WHERE ACCESS TO LANDSCAPING IS DIFFICULT DUE TO LANDSCAPING OR OTHER OBJECTS OR IN AREAS WHERE A SMOOTH TURF GRASS FINISH IS DESIRED.
- FILTER BERMS SHALL RUN PARALLEL TO THE CONTOUR.
- FILTER BERMS SHALL BE A MINIMUM OF 1 FEET HIGH AND 2 FEET WIDE.
- FILTER BERMS SHALL BE APPLIED BY PNEUMATIC BLOWER OR BY HAND.
- FILTER BERMS SHALL ONLY BE UTILIZED IN AREAS WHERE SHEET FLOW CONDITIONS PREVAIL AND NOT IN AREAS OF CONCENTRATED FLOW.
- COMPOST BLANKETS SHALL BE APPLIED AT A DEPTH OF 1 -3 INCHES (TYPICALLY 2 INCHES). FOR AREAS WITH EXISTING VEGETATION THAT ARE TO BE SUPPLEMENTED BY COMPOST, A THIN 0.5-INCH LAYER MAY BE USED.
- SEEDING SHALL BE PERFORMED PRIOR TO THE APPLICATION OF COMPOST. ALTERNATIVELY, SEED MAY BE COMBINED WITH COMPOST AND BLOWN WITH THE PNEUMATIC BLOWER.
- WHEN TURF GRASS FINISH IS NOT DESIRED, SURFACE ROUGHENING ON SLOPES SHALL TAKE PLACE PRIOR TO COMPOST APPLICATION.
- COMPOST SHALL BE A CLASS 1 COMPOST AS DEFINED BY TABLE CB-1.

COMPOST FILTER BERM MAINTENANCE NOTES

- INSPECT BMPs EACH WORKDAY, AND MAINTAIN THEM IN EFFECTIVE OPERATING CONDITION. MAINTENANCE OF BMPs SHOULD BE PROACTIVE, NOT REACTIVE. INSPECT BMPs AS SOON AS POSSIBLE (AND ALWAYS WITHIN 24 HOURS) FOLLOWING A STORM THAT CAUSES SURFACE EROSION, AND PERFORM NECESSARY MAINTENANCE.
- FREQUENT OBSERVATIONS AND MAINTENANCE ARE NECESSARY TO MAINTAIN BMPs IN EFFECTIVE OPERATING CONDITION. INSPECTIONS AND CORRECTIVE MEASURES SHOULD BE DOCUMENTED THOROUGHLY.
- WHERE BMPs HAVE FAILED, REPAIR OR REPLACEMENT SHOULD BE INITIATED UPON DISCOVERY OF THE FAILURE.
- COMPOST BERMS AND BLANKETS SHALL BE REAPPLIED OR REGRADED AS NECESSARY IF RILLING IN THE COMPOST SURFACE OCCURS.

(DETAILS ADAPTED FROM ARAPAHOE COUNTY, COLORADO, NOT AVAILABLE IN AUTOCAD)

NOTE: MANY JURISDICTIONS HAVE BMP DETAILS THAT VARY FROM UDFCD STANDARD DETAILS. CONSULT WITH LOCAL JURISDICTIONS AS TO WHICH DETAIL SHOULD BE USED WHEN DIFFERENCES ARE NOTED.

EC-4 Urban Drainage and Flood Control District Urban Storm Drainage Criteria Manual Volume 3 November 2010

Rolled Erosion Control Products (RECP) EC-6

Description

Rolled Erosion Control Products (RECPs) include a variety of temporary or permanently installed manufactured products designed to control erosion and enhance vegetation establishment and survivability, particularly on slopes and in channels.

For applications where natural vegetation alone will provide sufficient permanent erosion protection, temporary products such as netting, open weave textiles and a variety of erosion control blankets (ECBs) made of biodegradable natural materials (e.g., straw, coconut fiber) can be used.

For applications where natural vegetation alone will not be sustainable under expected flow conditions, permanent rolled erosion control products such as turf reinforcement mats (TRMs) can be used. In particular, turf reinforcement mats are designed for discharges that exert velocities and shear stresses that exceed the typical limits of mature natural vegetation.

Appropriate Uses

RECPs can be used to control erosion in conjunction with revegetation efforts, providing seedbed protection from wind and water erosion. These products are often used on disturbed areas on steep slopes, in areas with highly erosive soils, or as part of drainageway stabilization. In order to select the appropriate RECP for site conditions, it is important to have a general understanding of the general types of these products, their expected longevity, and general characteristics.

The Erosion Control Technology Council (ECTC 2005) characterizes rolled erosion control products according to these categories:

- Mulch control netting:** A planar woven natural fiber or extruded geosynthetic mesh used as a temporary degradable rolled erosion control product to anchor loose fiber mulches.
- Open weave textile:** A temporary degradable rolled erosion control product composed of processed natural or polymer yarns woven into a matrix, used to provide erosion control and facilitate vegetation establishment.
- Erosion control blanket (ECB):** A temporary degradable rolled erosion control product composed of processed natural or polymer fibers which are mechanically, structurally or chemically bound together to form a continuous matrix to provide erosion control and facilitate vegetation establishment. ECBS can be further differentiated into rapidly degrading single-net and double-net types or slowly degrading types.

Rolled Erosion Control Products	
Functions	
Erosion Control	Yes
Sediment Control	No
Site/Material Management	No

November 2010 Urban Drainage and Flood Control District Urban Storm Drainage Criteria Manual Volume 3 RECP-1



Photograph RECP-1. Erosion control blanket protecting the slope from erosion and providing favorable conditions for revegetation.

EC-6 Rolled Erosion Control Products (RECP)

- Turf Reinforcement Mat (TRM):** A rolled erosion control product composed of non-degradable synthetic fibers, filaments, nets, wire mesh, and/or other elements, processed into a permanent, three-dimensional matrix of sufficient thickness. TRMs, which may be supplemented with degradable components, are designed to impart immediate erosion protection, enhance vegetation establishment and provide long-term functionality by permanently reinforcing vegetation during and after maturation. Note: TRMs are typically used in hydraulic applications, such as high flow ditches and channels, steep slopes, stream banks, and shorelines, where erosive forces may exceed the limits of natural, unreinforced vegetation or in areas where limited vegetation establishment is anticipated.

Tables RECP-1 and RECP-2 provide guidelines for selecting rolled erosion control products appropriate to site conditions and desired longevity. Table RECP-1 is for conditions where natural vegetation alone will provide permanent erosion control, whereas Table RECP-2 is for conditions where vegetation alone will not be adequately stable to provide long-term erosion protection due to flow or other conditions.

RECP-2 Urban Drainage and Flood Control District Urban Storm Drainage Criteria Manual Volume 3 November 2010

Rolled Erosion Control Products (RECP) EC-6

Table RECP-1. ECTC Standard Specification for Temporary Rolled Erosion Control Products (Adapted from Erosion Control Technology Council 2005)

Product Description	Slope Applications*		Channel Applications*	Minimum Tensile Strength ¹	Expected Longevity
	Maximum Gradient	C Factor ^{2,3}			
Mulch Control Nets	5:1 (H:V)	≤0.10 @ 5:1	0.25 lbs/ft ² (12 Pa)	5 lbs/ft (0.073 kN/m)	Up to 12 months
Netless Rolled Erosion Control Blankets	4:1 (H:V)	≤0.10 @ 4:1	0.5 lbs/ft ² (24 Pa)	5 lbs/ft (0.073 kN/m)	
Single-net Erosion Control Blankets & Open Weave Textiles	3:1 (H:V)	≤0.15 @ 3:1	1.5 lbs/ft ² (72 Pa)	50 lbs/ft (0.73 kN/m)	
Double-net Erosion Control Blankets	2:1 (H:V)	≤0.20 @ 2:1	1.75 lbs/ft ² (84 Pa)	75 lbs/ft (1.09 kN/m)	24 months
Mulch Control Nets	5:1 (H:V)	≤0.10 @ 5:1	0.25 lbs/ft ² (12 Pa)	25 lbs/ft (0.36 kN/m)	
Erosion Control Blankets & Open Weave Textiles (slowly degrading)	1.5:1 (H:V)	≤0.25 @ 1.5:1	2.00 lbs/ft ² (96 Pa)	100 lbs/ft (1.45 kN/m)	
Erosion Control Blankets & Open Weave Textiles	1:1 (H:V)	≤0.25 @ 1:1	2.25 lbs/ft ² (108 Pa)	125 lbs/ft (1.82 kN/m)	36 months

* C Factor and shear stress for mulch control nettings must be obtained with netting used in conjunction with pre-applied mulch material. (See Section 5.3 of Chapter 7 Construction BMPs for more information on the C Factor.)

¹ Minimum Average Roll Values. Machine direction using ECTC Mod. ASTM D 5035.

² C Factor calculated as ratio of soil loss from RECP protected slope (tested at specified or greater gradient, H:V) to ratio of soil loss from unprotected (control) plot in large-scale testing.

³ Required minimum shear stress RECP (unvegetated) can sustain without physical damage or excess erosion (> 12.7 mm (0.5 in) soil loss) during a 30-minute flow event in large-scale testing.

⁴ The permissible shear stress levels established for each performance category are based on historical experience with products characterized by Manning's roughness coefficients in the range of 0.01 - 0.05.

⁵ Acceptable large-scale test methods may include ASTM D 6459, or other independent testing deemed acceptable by the engineer.

⁶ Per the engineer's discretion. Recommended acceptable large-scale testing protocol may include ASTM D 6460, or other independent testing deemed acceptable by the engineer.

November 2010 Urban Drainage and Flood Control District Urban Storm Drainage Criteria Manual Volume 3 RECP-3

NO.	DATE	DESCRIPTION	BY
REVISIONS			
CTR Engineering, Inc. 16392 TIMBER MEADOW DRIVE COLORADO SPRINGS, CO 80908 (719) 964-6654			
PROJECT: CLEAR VIEW INDUSTRIAL PARK FILING 2A			
BENCHMARK: Elevations are based upon FIMS monument DR02, a 2" aluminum cap, stamped "CSU FIMS CONTROL DR02", at the southeast corner of Monica Drive and Hancock Expressway (Elevation=5927.27 NGVD29)			
PROJECT TITLE: GRADING, WATER QUALITY POND AND EROSION CONTROL			
SHEET TITLE: GRADING AND EROSION DETAILS			
DESIGNED BY: JCM	SCALE: 1"=40'	DATE ISSUED: MAY 2020	
DRAWN BY: JCM			
CHECKED BY: JH			SHEET NO. 9 OF 13 SHEETS
DWG:			

EC-6 Rolled Erosion Control Products (RECP)

Table RECP-2. ECTC Standard Specification for Permanent¹ Rolled Erosion Control Products
(Adapted from: Erosion Control Technology Council 2005)

Product Type	Slope Applications	Channel Applications	Minimum Tensile Strength ^{2,3}
TRMs with a minimum thickness of 0.25 inches (6.35 mm) per ASTM D 6525 and UV stability of 80% per ASTM D 4355 (500 hours exposure).	Maximum Gradient	Maximum Shear Stress ^{4,5}	Minimum Tensile Strength ^{2,3}
	0.5:1 (H:V)	6.0 lbs/ft ² (288 Pa)	125 lbs/ft (1.82 kN/m)
	0.5:1 (H:V)	8.0 lbs/ft ² (384 Pa)	150 lbs/ft (2.19 kN/m)
	0.5:1 (H:V)	10.0 lbs/ft ² (480 Pa)	175 lbs/ft (2.55 kN/m)

¹ For TRMs containing degradable components, all property values must be obtained on the non-degradable portion of the matting alone.
² Minimum Average Roll Values, machine direction only for tensile strength determination using ASTM D 6818 (Supersedes Mod. ASTM D 5035 for RECPs)
³ Field conditions with high loading and/or high survivability requirements may warrant the use of a TRM with a tensile strength of 44 kN/m (3,000 lb/ft) or greater.
⁴ Required minimum shear stress TRM (fully vegetated) can sustain without physical damage or excess erosion (> 12.7 mm (0.5 in.) soil loss) during a 30-minute flow event in large scale testing.
⁵ Acceptable large-scale testing protocols may include ASTM D 6460, or other independent testing deemed acceptable by the engineer.

Design and Installation

RECPs should be installed according to manufacturer's specifications and guidelines. Regardless of the type of product used, it is important to ensure no gaps or voids exist under the material and that all corners of the material are secured using stakes and trenching. Continuous contact between the product and the soil is necessary to avoid failure. Never use metal stakes to secure temporary erosion control products. Often wooden stakes are used to anchor RECPs; however, wood stakes may present installation and maintenance challenges and generally take a long time to biodegrade. Some local jurisdictions have had favorable experiences using biodegradable stakes.

This BMP Fact Sheet provides design details for several commonly used ECB applications, including:

- ECB-1 Pipe Outlet to Drainageway
- ECB-2 Small Ditch or Drainageway
- ECB-3 Outside of Drainageway

Rolled Erosion Control Products (RECP) EC-6

Staking patterns are also provided in the design details according to these factors:

- ECB type
- Slope or channel type

For other types of RECPs including TRMs, these design details are intended to serve as general guidelines for design and installation; however, engineers should adhere to manufacturer's installation recommendations.

Maintenance and Removal

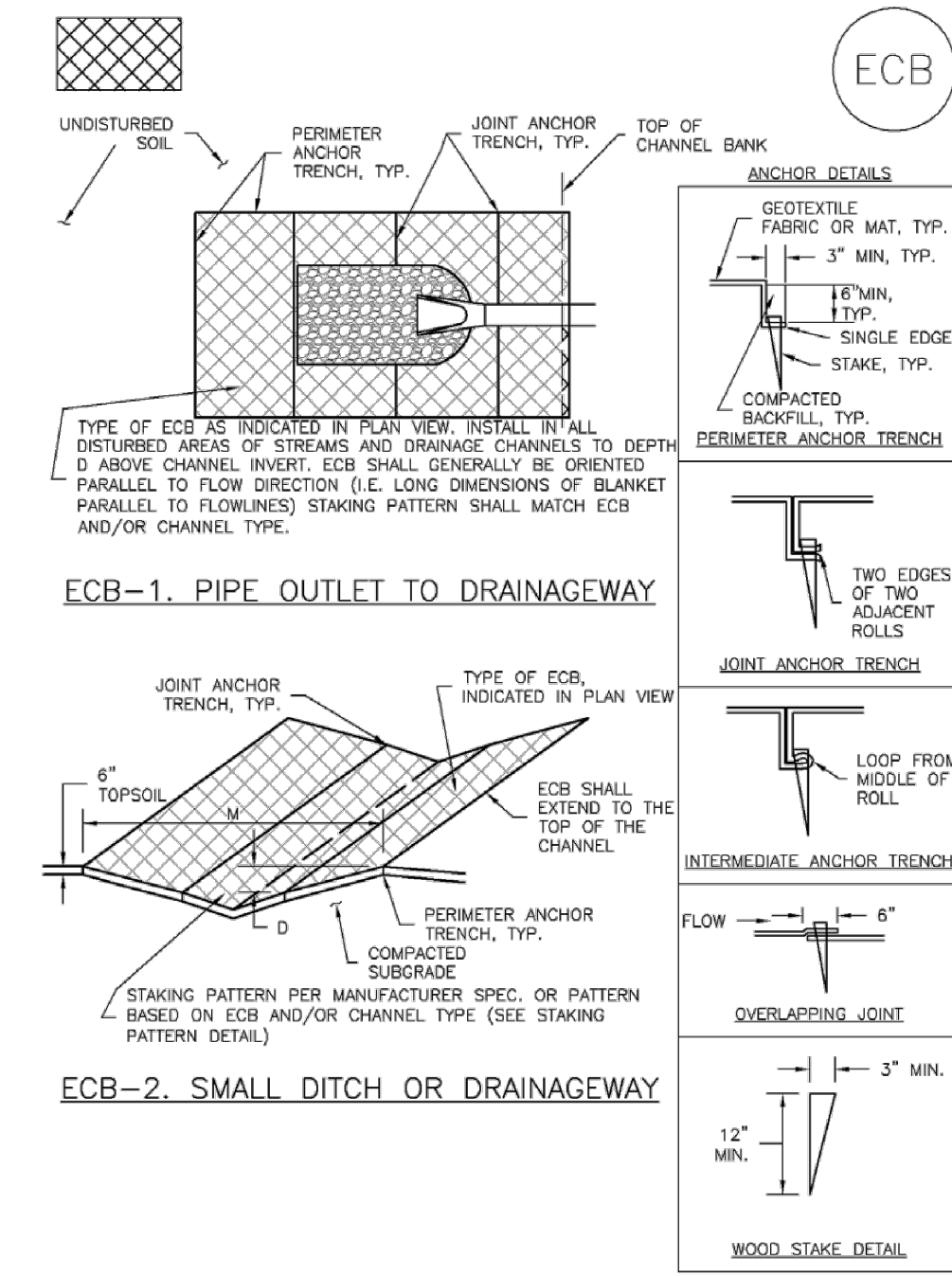
Inspection of erosion control blankets and other RECPs includes:

- Check for general signs of erosion, including voids beneath the mat. If voids are apparent, fill the void with suitable soil and replace the erosion control blanket, following the appropriate staking pattern.
- Check for damaged or loose stakes and secure loose portions of the blanket.

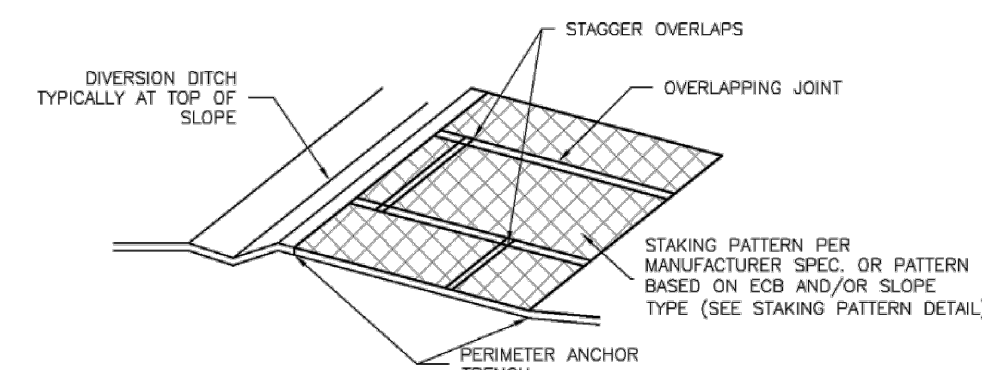
Erosion control blankets and other RECPs that are biodegradable typically do not need to be removed after construction. If they must be removed, then an alternate soil stabilization method should be installed promptly following removal.

Turf reinforcement mats, although generally resistant to biodegradation, are typically left in place as a dense vegetated cover grows in through the mat matrix. The turf reinforcement mat provides long-term stability and helps the established vegetation resist erosive forces.

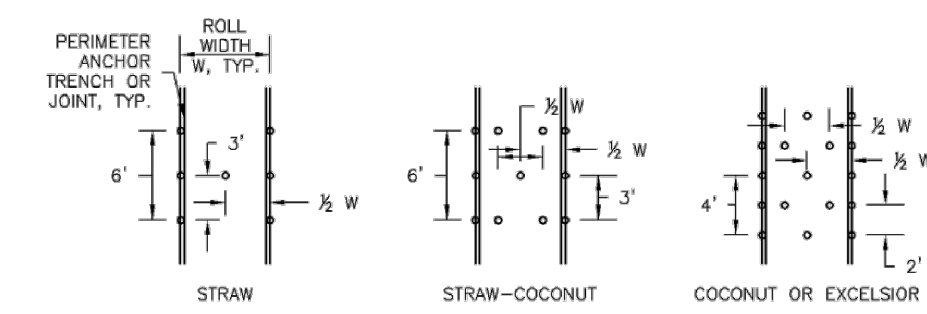
EC-6 Rolled Erosion Control Products (RECP)



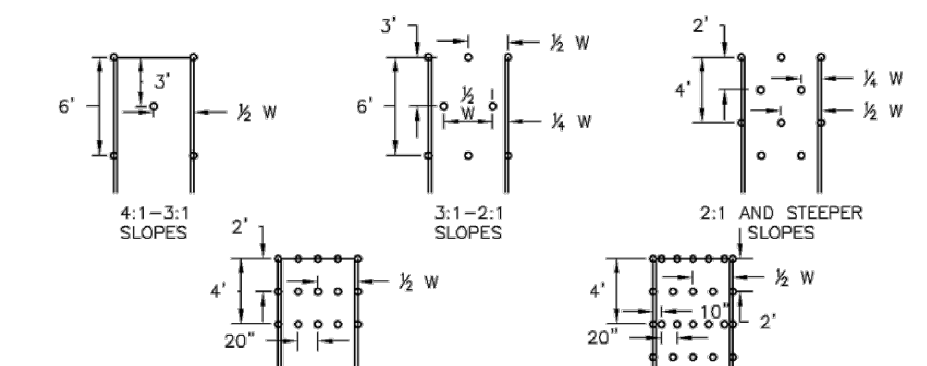
Rolled Erosion Control Products (RECP) EC-6



ECB-3. OUTSIDE OF DRAINAGEWAY



STAKING PATTERNS BY ECB TYPE



STAKING PATTERNS BY SLOPE OR CHANNEL TYPE

EC-6 Rolled Erosion Control Products (RECP)

EROSION CONTROL BLANKET INSTALLATION NOTES

- SEE PLAN VIEW FOR:
-LOCATION OF ECB
-TYPE OF ECB (STRAW, STRAW-COCOONUT, COCOONUT, OR EXCELSIOR)
-AREA, A, IN SQUARE YARDS OF EACH TYPE OF ECB.
- LOOK NATURAL AND BIODEGRADABLE MATERIALS ARE PREFERRED FOR RECPs, ALTHOUGH SOME JURISDICTIONS MAY ALLOW OTHER MATERIALS IN SOME APPLICATIONS.
- IN AREAS WHERE ECBs ARE SHOWN ON THE PLANS, THE PERMITTEE SHALL PLACE TOPSOIL AND PERFORM FINAL GRADING, SURFACE PREPARATION, AND SEEDING AND MULCHING. SUBGRADE SHALL BE SMOOTH AND MOST PRIOR TO ECB INSTALLATION AND THE ECB SHALL BE IN FULL CONTACT WITH SUBGRADE. NO GAPS OR VOIDS SHALL EXIST UNDER THE BLANKET.
- PERIMETER ANCHOR TRENCH SHALL BE USED ALONG THE OUTSIDE PERIMETER OF ALL BLANKET AREAS.
- JOINT ANCHOR TRENCH SHALL BE USED TO JOIN ROLLS OF ECBs TOGETHER (LONGITUDINALLY AND TRANSVERSELY) FOR ALL ECBs EXCEPT STRAW WHICH MAY USE AN OVERLAPPING JOINT.
- INTERMEDIATE ANCHOR TRENCH SHALL BE USED AT SPACING OF ONE-HALF ROLL LENGTH FOR COCONUT AND EXCELSIOR ECBs.
- OVERLAPPING JOINT DETAIL SHALL BE USED TO JOIN ROLLS OF ECBs TOGETHER FOR ECBs ON SLOPES.
- MATERIAL SPECIFICATIONS OF ECBs SHALL CONFORM TO TABLE ECB-1.
- ANY AREAS OF SEEDING AND MULCHING DISTURBED IN THE PROCESS OF INSTALLING ECBs SHALL BE RESEDED AND MULCHED.
- DETAILS ON DESIGN PLANS FOR MAJOR DRAINAGEWAY STABILIZATION WILL GOVERN IF DIFFERENT FROM THOSE SHOWN HERE.

TYPE	COCONUT CONTENT	STRAW CONTENT	EXCELSIOR CONTENT	RECOMMENDED NETTING*
STRAW	-	100%	-	DOUBLE/NATURAL
STRAW-COCOONUT	30% MIN	70% MAX	-	DOUBLE/NATURAL
COCONUT	100%	-	-	DOUBLE/NATURAL
EXCELSIOR	-	-	100%	DOUBLE/NATURAL

Rolled Erosion Control Products (RECP) EC-6

EROSION CONTROL BLANKET MAINTENANCE NOTES

- INSPECT BMPs EACH WORKDAY, AND MAINTAIN THEM IN EFFECTIVE OPERATING CONDITION. MAINTENANCE OF BMPs SHOULD BE PROACTIVE, NOT REACTIVE. INSPECT BMPs AS SOON AS POSSIBLE (AND ALWAYS WITHIN 24 HOURS) FOLLOWING A STORM THAT CAUSES SURFACE EROSION, AND PERFORM NECESSARY MAINTENANCE.
 - FREQUENT OBSERVATIONS AND MAINTENANCE ARE NECESSARY TO MAINTAIN BMPs IN EFFECTIVE OPERATING CONDITION. INSPECTIONS AND CORRECTIVE MEASURES SHOULD BE DOCUMENTED THOROUGHLY.
 - WHERE BMPs HAVE FAILED, REPAIR OR REPLACEMENT SHOULD BE INITIATED UPON DISCOVERY OF THE FAILURE.
 - ECBs SHALL BE LEFT IN PLACE TO EVENTUALLY BIODEGRADE, UNLESS REQUESTED TO BE REMOVED BY THE LOCAL JURISDICTION.
 - ANY ECB PULLED OUT, TORN, OR OTHERWISE DAMAGED SHALL BE REPAIRED OR REINSTALLED. ANY SUBGRADE AREAS BELOW THE GEOTEXTILE THAT HAVE ERODED TO CREATE A VOID UNDER THE BLANKET, OR THAT REMAIN DEVOID OF GRASS SHALL BE REPAIRED, RESEDED AND MULCHED AND THE ECB REINSTALLED.
- NOTE: MANY JURISDICTIONS HAVE BMP DETAILS THAT VARY FROM USDC STANDARD DETAILS. CONSULT WITH LOCAL JURISDICTIONS AS TO WHICH DETAIL SHOULD BE USED WHEN DIFFERENCES ARE NOTED.
- (DETAILS ADAPTED FROM DOUGLAS COUNTY, COLORADO AND TOWN OF PARKER, COLORADO, NOT AVAILABLE IN AUTOCAD)

NO.	DATE	DESCRIPTION	BY
REVISIONS			
CTR Engineering, Inc.			
16392 TIMBER MEADOW DRIVE COLORADO SPRINGS, CO 80908 (719) 964-6654			
PROJECT: CLEAR VIEW INDUSTRIAL PARK FILING 2A			
BENCHMARK: Elevations are based upon FIMS monument DR02, a 2" aluminum cap, stamped "CSU FIMS CONTROL DR02", at the southeast corner of Monica Drive and Hancock Expressway (Elevation=5927.27 NGVD29)			
PROJECT TITLE: GRADING, WATER QUALITY POND AND EROSION CONTROL			
SHEET TITLE: GRADING AND EROSION DETAILS			
DESIGNED BY: JCM	SCALE: 1"=40'	DATE ISSUED: MAY 2020	
DRAWN BY: JCM			
CHECKED BY: JH			
SHEET NO. 10 OF 13 SHEETS			
DWG:			

Concrete Washout Area (CWA)

MM-1

Description

Concrete waste management involves designating and properly managing a specific area of the construction site as a concrete washout area. A concrete washout area can be created using one of several approaches designed to receive wash water from washing of tools and concrete mixer chutes, liquid concrete waste from dump trucks, mobile batch mixers, or pump trucks. Three basic approaches are available: excavation of a pit in the ground, use of an above ground storage area, or use of prefabricated haul-away concrete washout containers. Surface discharges of concrete washout water from construction sites are prohibited.



Photograph CWA-1. Example of concrete washout area. Note gravel tracking pad for access and sign.

Appropriate Uses

Concrete washout areas must be designated on all sites that will generate concrete wash water or liquid concrete waste from onsite concrete mixing or concrete delivery.

Because pH is a pollutant of concern for washout activities, when unlined pits are used for concrete washout, the soil must have adequate buffering capacity to result in protection of state groundwater standards; otherwise, a liner/containment must be used. The following management practices are recommended to prevent an impact from unlined pits to groundwater:

- The use of the washout site should be temporary (less than 1 year), and
- The washout site should be not be located in an area where shallow groundwater may be present, such as near natural drainages, springs, or wetlands.

Design and Installation

Concrete washout activities must be conducted in a manner that does not contribute pollutants to surface waters or stormwater runoff. Concrete washout areas may be lined or unlined excavated pits in the ground, commercially manufactured prefabricated washout containers, or aboveground holding areas constructed of berms, sandbags or straw bales with a plastic liner.

Although unlined washout areas may be used, lined pits may be required to protect groundwater under certain conditions.

Do not locate an unlined washout area within 400 feet of any natural drainage pathway or waterbody or within 1,000 feet of any wells or drinking water sources. Even for lined concrete washouts, it is advisable to locate the facility away from waterbodies and drainage paths. If site constraints make these

Concrete Washout Area	
Functions	
Erosion Control	No
Sediment Control	No
Site/Material Management	Yes

November 2010 Urban Drainage and Flood Control District CWA-1
Urban Storm Drainage Criteria Manual Volume 3

MM-1 Concrete Washout Area (CWA)

setbacks infeasible or if highly permeable soils exist in the area, then the pit must be installed with an impermeable liner (16 mil minimum thickness) or surface storage alternatives using prefabricated concrete washout devices or a lined aboveground storage area should be used.

Design details with notes are provided in Detail CWA-1 for pits and CWA-2 for aboveground storage areas. Pre-fabricated concrete washout container information can be obtained from vendors.

Maintenance and Removal

A key consideration for concrete washout areas is to ensure that adequate signage is in place identifying the location of the washout area. Part of inspecting and maintaining washout areas is ensuring that adequate signage is provided and in good repair and that the washout area is being used, as opposed to washout in non-designated areas of the site.

Remove concrete waste in the washout area, as needed to maintain BMP function (typically when filled to about two-thirds of its capacity). Collect concrete waste and deliver offsite to a designated disposal location.

Upon termination of use of the washout site, accumulated solid waste, including concrete waste and any contaminated soils, must be removed from the site to prevent on-site disposal of solid waste. If the wash water is allowed to evaporate and the concrete hardens, it may be recycled.



Photograph CWA-2. Prefabricated concrete washout. Photo courtesy of CDOT.

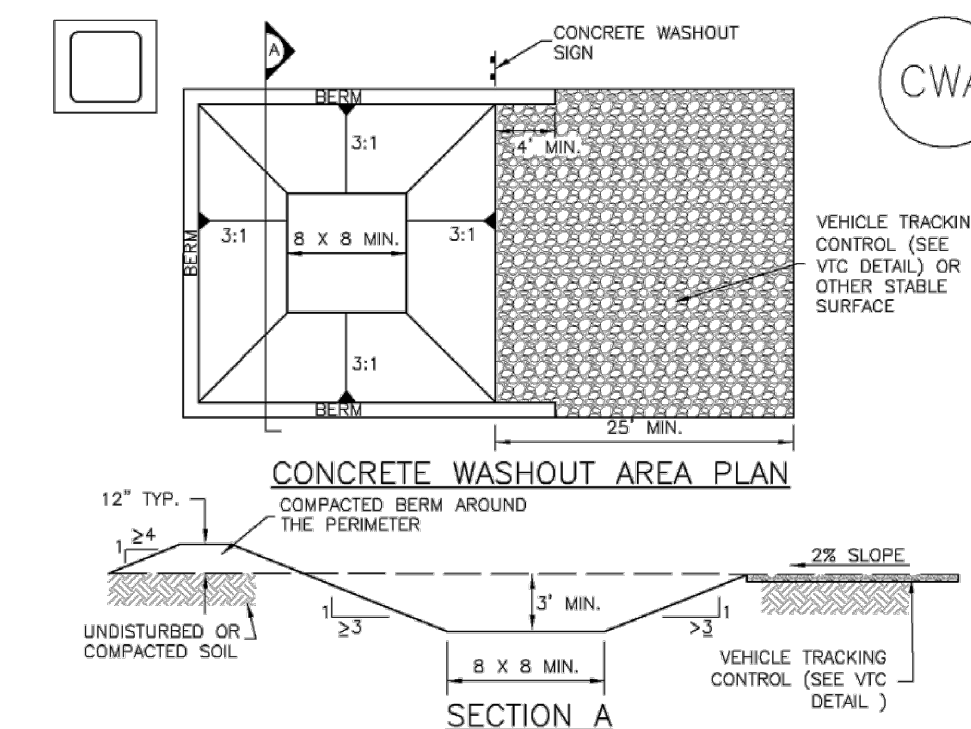


Photograph CWA-3. Earthen concrete washout. Photo courtesy of CDOT.

CWA-2 Urban Drainage and Flood Control District November 2010
Urban Storm Drainage Criteria Manual Volume 3

Concrete Washout Area (CWA)

MM-1



CWA-1. CONCRETE WASHOUT AREA

- CWA INSTALLATION NOTES**
1. SEE PLAN VIEW FOR: -CWA INSTALLATION LOCATION.
 2. DO NOT LOCATE AN UNLINED CWA WITHIN 400' OF ANY NATURAL DRAINAGE PATHWAY OR WATERBODY. DO NOT LOCATE WITHIN 1,000' OF ANY WELLS OR DRINKING WATER SOURCES. IF SITE CONSTRAINTS MAKE THIS INFEASIBLE, OR IF HIGHLY PERMEABLE SOILS EXIST ON SITE, THE CWA MUST BE INSTALLED WITH AN IMPERMEABLE LINER (16 MIL MIN. THICKNESS) OR SURFACE STORAGE ALTERNATIVES USING PREFABRICATED CONCRETE WASHOUT DEVICES OR A LINED ABOVE GROUND STORAGE ARE SHOULD BE USED.
 3. THE CWA SHALL BE INSTALLED PRIOR TO CONCRETE PLACEMENT ON SITE.
 4. CWA SHALL INCLUDE A FLAT SUBSURFACE PIT THAT IS AT LEAST 8' BY 8' SLOPES LEADING OUT OF THE SUBSURFACE PIT SHALL BE 3:1 OR FLATTER. THE PIT SHALL BE AT LEAST 3' DEEP.
 5. BERM SURROUNDING SIDES AND BACK OF THE CWA SHALL HAVE MINIMUM HEIGHT OF 1'.
 6. VEHICLE TRACKING PAD SHALL BE SLOPED 2% TOWARDS THE CWA.
 7. SIGNS SHALL BE PLACED AT THE CONSTRUCTION ENTRANCE, AT THE CWA, AND ELSEWHERE AS NECESSARY TO CLEARLY INDICATE THE LOCATION OF THE CWA TO OPERATORS OF CONCRETE TRUCKS AND PUMP RIGS.
 8. USE EXCAVATED MATERIAL FOR PERIMETER BERM CONSTRUCTION.

November 2010 Urban Drainage and Flood Control District CWA-3
Urban Storm Drainage Criteria Manual Volume 3

MM-1 Concrete Washout Area (CWA)

CWA MAINTENANCE NOTES

1. INSPECT BMPs EACH WORKDAY, AND MAINTAIN THEM IN EFFECTIVE OPERATING CONDITION. MAINTENANCE OF BMPs SHOULD BE PROACTIVE, NOT REACTIVE. INSPECT BMPs AS SOON AS POSSIBLE (AND ALWAYS WITHIN 24 HOURS) FOLLOWING A STORM THAT CAUSES SURFACE EROSION, AND PERFORM NECESSARY MAINTENANCE.
2. FREQUENT OBSERVATIONS AND MAINTENANCE ARE NECESSARY TO MAINTAIN BMPs IN EFFECTIVE OPERATING CONDITION. INSPECTIONS AND CORRECTIVE MEASURES SHOULD BE DOCUMENTED THOROUGHLY.
3. WHERE BMPs HAVE FAILED, REPAIR OR REPLACEMENT SHOULD BE INITIATED UPON DISCOVERY OF THE FAILURE.
4. THE CWA SHALL BE REPAIRED, CLEANED, OR ENLARGED AS NECESSARY TO MAINTAIN CAPACITY FOR CONCRETE WASTE. CONCRETE MATERIALS ACCUMULATED IN PIT, SHALL BE REMOVED ONCE THE MATERIALS HAVE REACHED A DEPTH OF 2'.
5. CONCRETE WASHOUT WATER, WASTED PIECES OF CONCRETE AND ALL OTHER DEBRIS IN THE SUBSURFACE PIT SHALL BE TRANSPORTED FROM THE JOB SITE IN A WATER-TIGHT CONTAINER AND DISPOSED OF PROPERLY.
6. THE CWA SHALL REMAIN IN PLACE UNTIL ALL CONCRETE FOR THE PROJECT IS PLACED.
7. WHEN THE CWA IS REMOVED, COVER THE DISTURBED AREA WITH TOP SOIL, SEED AND MULCH OR OTHERWISE STABILIZED IN A MANNER APPROVED BY THE LOCAL JURISDICTION.

(DETAIL ADAPTED FROM DOUGLAS COUNTY, COLORADO AND THE CITY OF PARKER, COLORADO, NOT AVAILABLE IN AUTOCAD).
NOTE: MANY JURISDICTIONS HAVE BMP DETAILS THAT VARY FROM UDFCD STANDARD DETAILS. CONSULT WITH LOCAL JURISDICTIONS AS TO WHICH DETAIL SHOULD BE USED WHEN DIFFERENCES ARE NOTED.

CWA-4 Urban Drainage and Flood Control District November 2010
Urban Storm Drainage Criteria Manual Volume 3

NO.	DATE	DESCRIPTION	BY
REVISIONS			
CTR Engineering, Inc.			
16392 TIMBER MEADOW DRIVE COLORADO SPRINGS, CO 80908 (719) 964-6654			
PROJECT: CLEAR VIEW INDUSTRIAL PARK FILING 2A			
BENCHMARK: Elevations are based upon FIMS monument DR02, a 2" aluminum cap, stamped "CSU FIMS CONTROL DR02", at the southeast corner of Monica Drive and Hancock Expressway (Elevation=5927.27 NGVD29)			
PROJECT TITLE: GRADING, WATER QUALITY POND AND EROSION CONTROL			
SHEET TITLE: GRADING AND EROSION DETAILS			
DESIGNED BY: JCM	SCALE: 1"=40'	DATE ISSUED: MAY 2020	
DRAWN BY: JCM			
CHECKED BY: JH		SHEET NO. 10 OF 13 SHEETS	
DWG:			