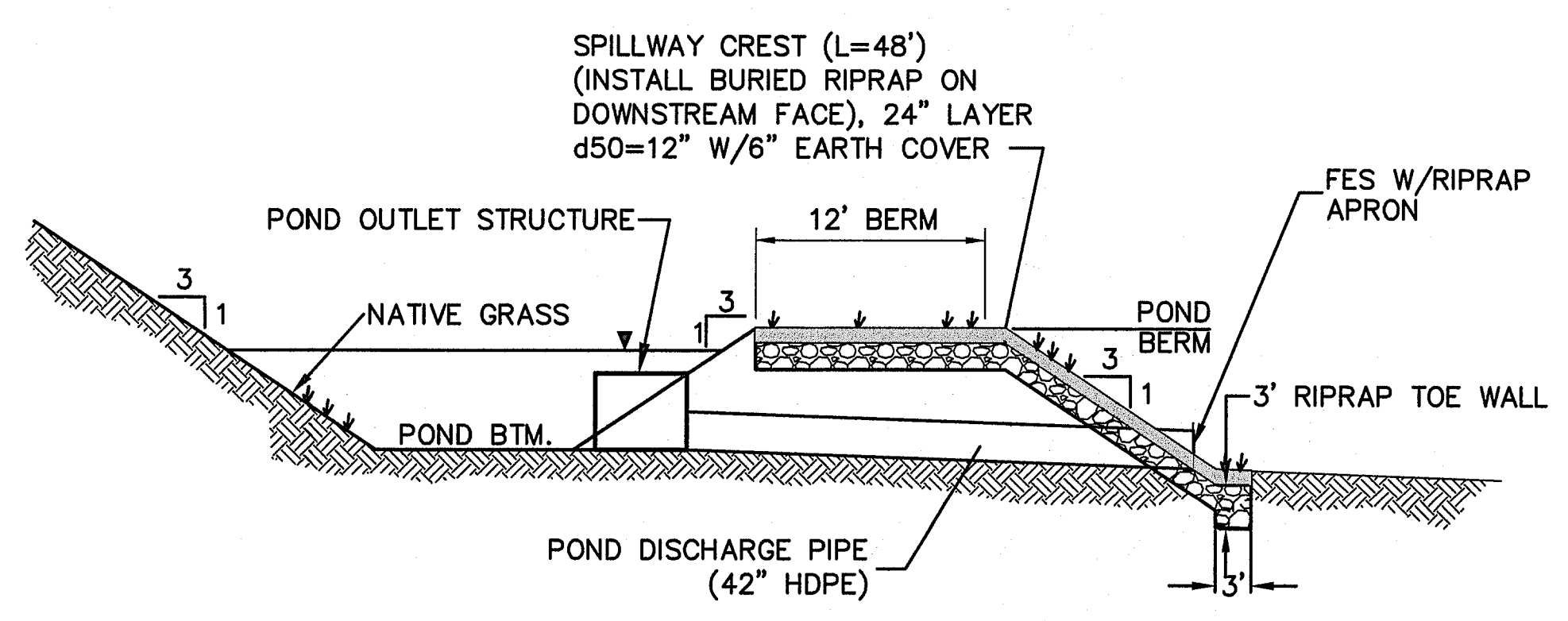


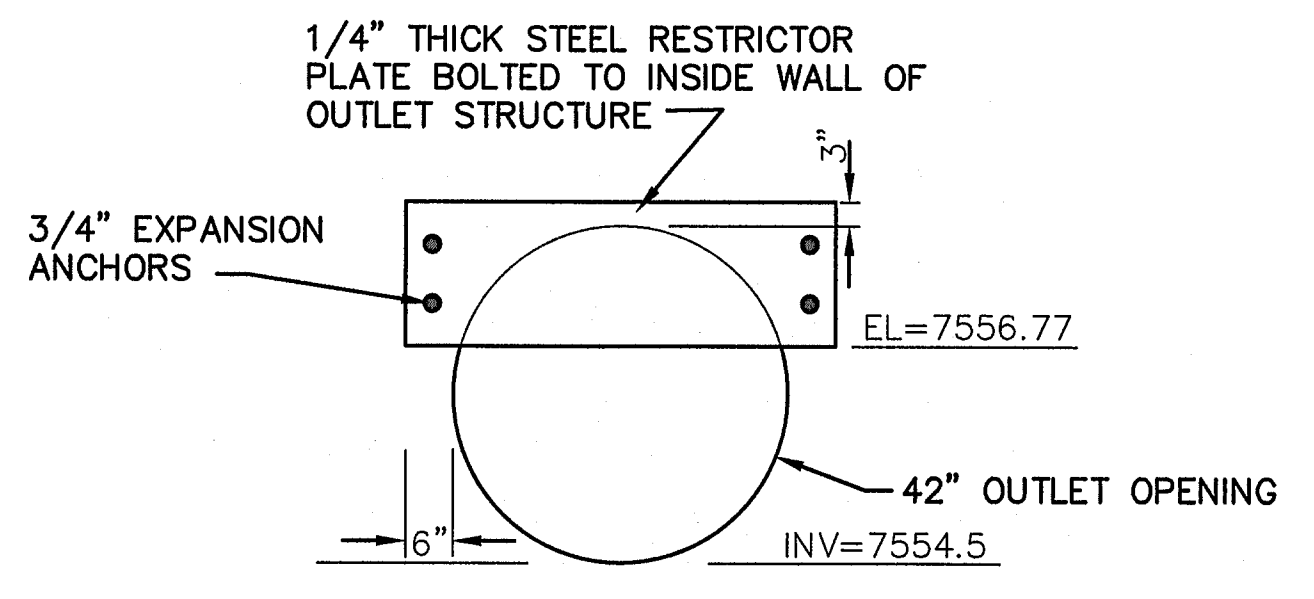
EMBANKMENT NOTES: STABILIZE/REPAIR EXISTING EMBANKMENT PER GEOTECHNICAL RECOMMENDATIONS (REFER TO ENTECH REPORT DATED 5/18/07):

- A. REPAIR RODENT DAMAGE AND FOX DEN
- B. RE-GRADE DOWNSTREAM FACE OF EMBANKMENT TO PROVIDE 2.5:1 MIN. SLOPE AND 12' MIN. TOP WIDTH
- C. RECOMPACT SOFT AREAS
- D. RE-VEGETATE & INSTALL EROSION PROTECTION

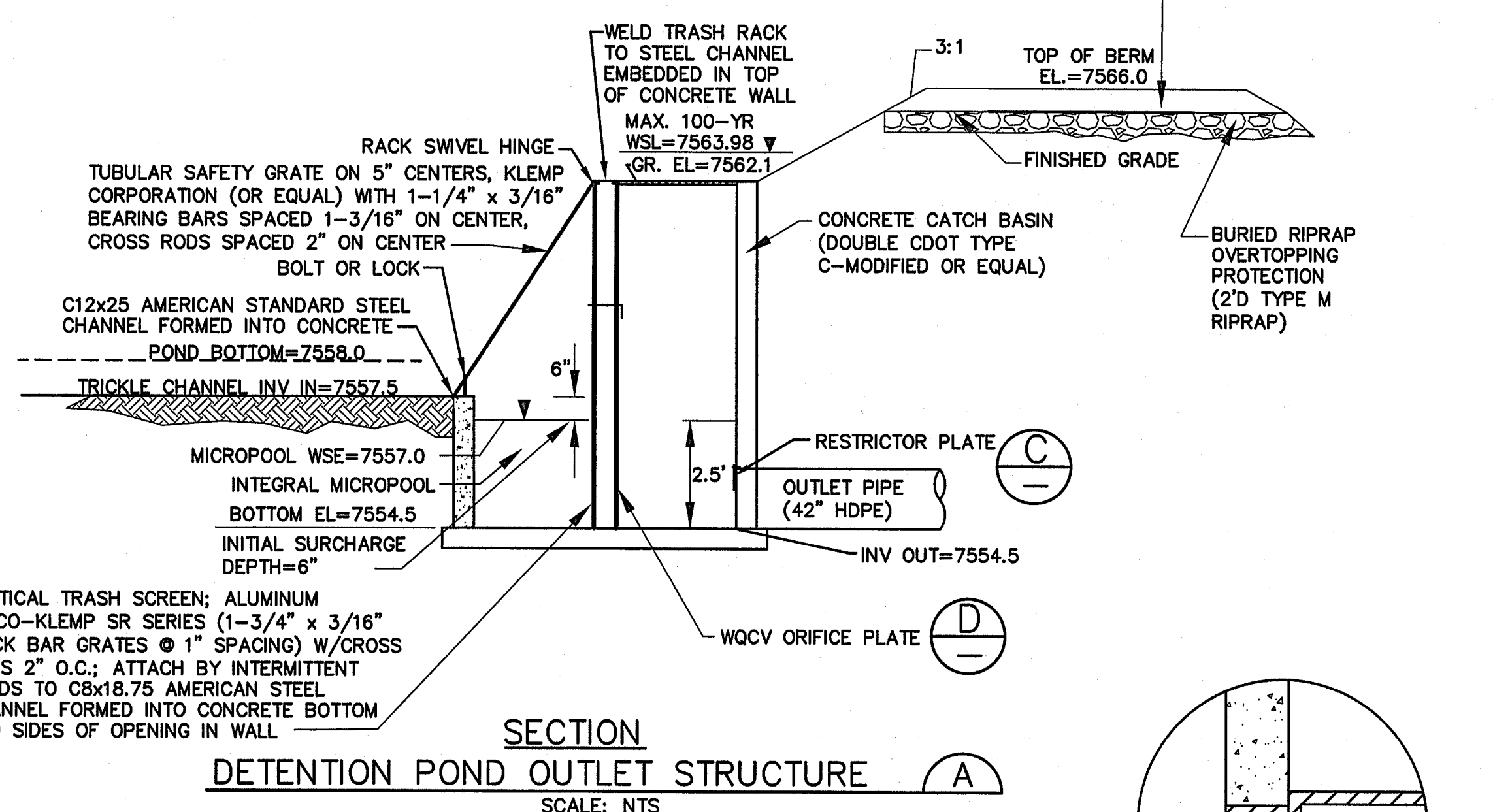
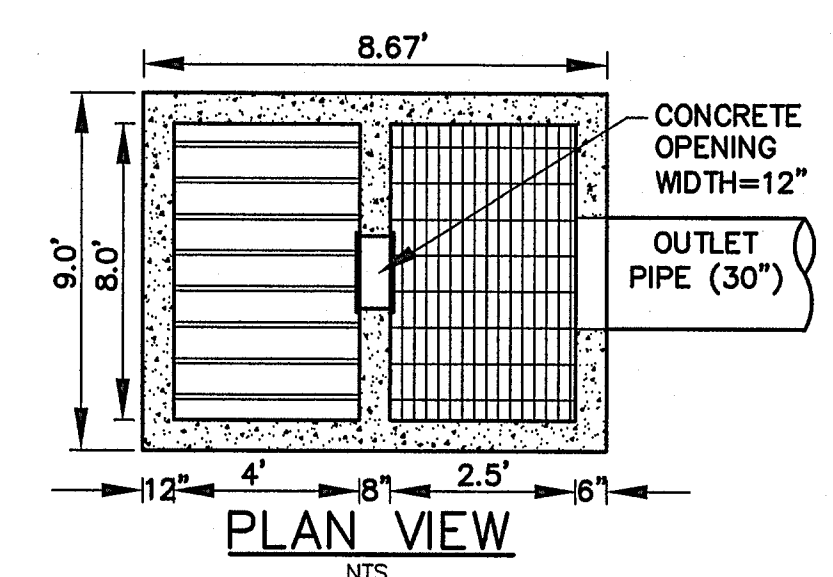
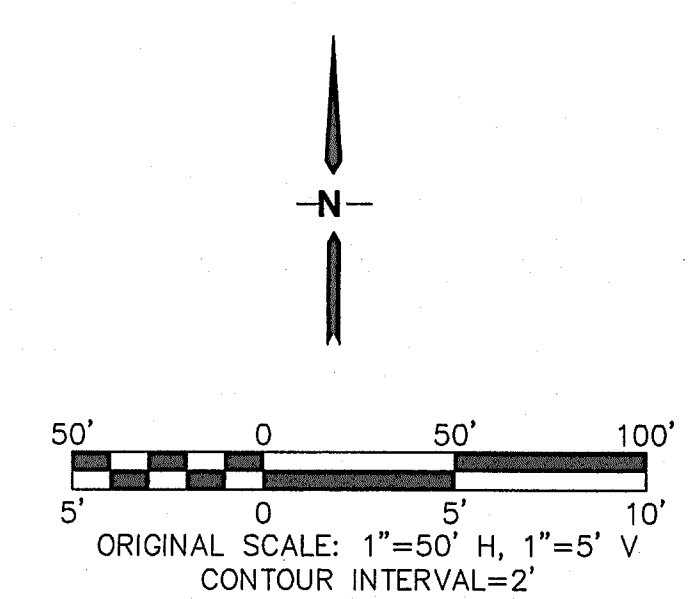
POND #4 PLAN



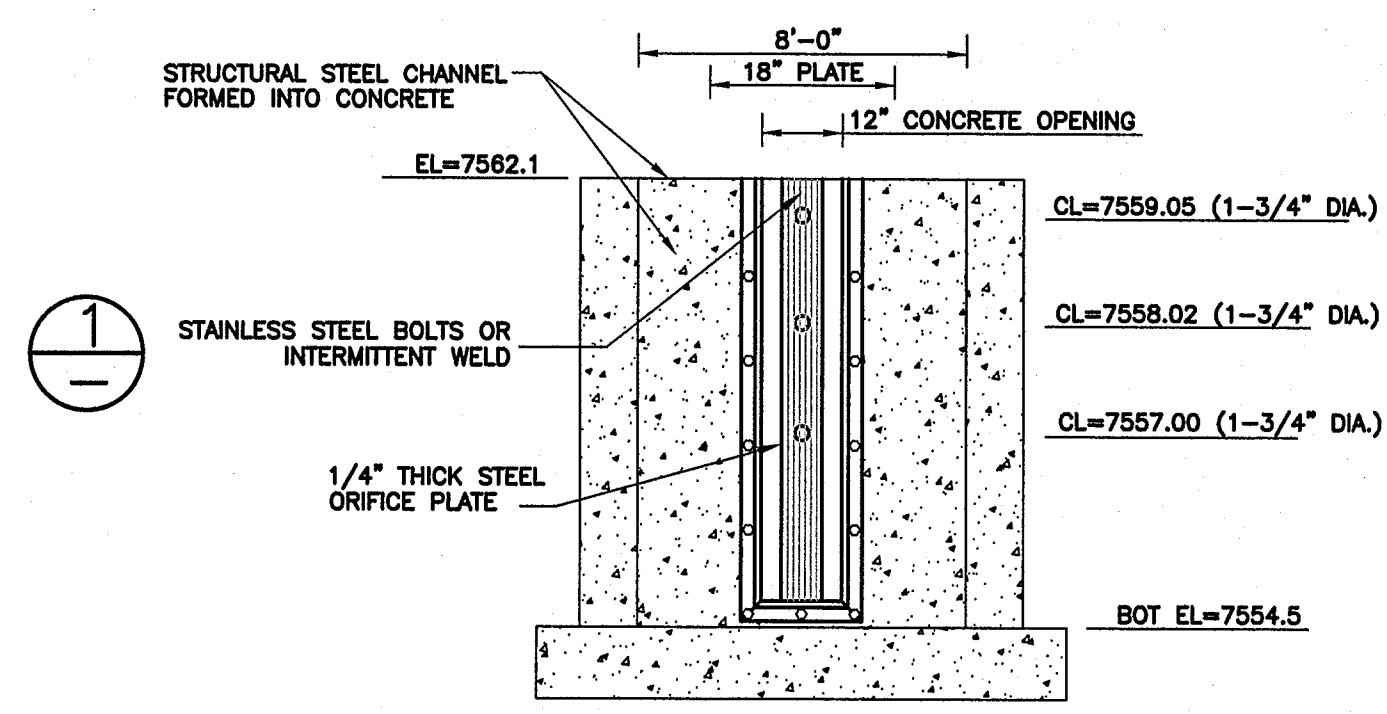
TYPICAL SECTION DETENTION POND #4
SCALE: NTS



RESTRICTOR PLATE DETAIL
SCALE: 1"=2'



SECTION DETENTION POND OUTLET STRUCTURE
SCALE: NTS



ORIFICE PLATE AND TRASH RACK DETAILS AND NOTES

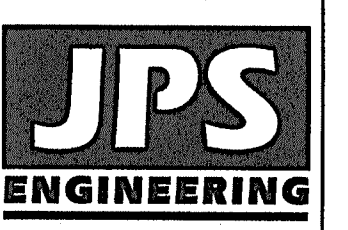
- ORIFICE PLATE NOTES:**
- PROVIDE GASKET MATERIAL BETWEEN THE ORIFICE PLATE AND CONCRETE.
 - BOLT PLATE TO CONCRETE 12" MAX. ON CENTER.
- EURV AND WQCV TRASH RACKS:**
- WELL-SCREEN TRASH RACKS (FOR CIRCULAR ORIFICES) SHALL BE STAINLESS STEEL AND SHALL BE ATTACHED BY INTERMITTENT WELDS ALONG THE EDGE OF THE MOUNTING FRAME.
- OVERFLOW TRASH RACKS:**
- ALL TRASH RACKS SHALL BE MOUNTED USING STAINLESS STEEL HARDWARE AND PROVIDED WITH HINGED AND LOCKABLE OR BOLTABLE ACCESS PANELS.
 - TRASH RACKS SHALL BE STAINLESS STEEL, ALUMINUM, OR STEEL. STEEL TRASH RACKS SHALL BE HOT DIP GALVANIZED AND MAY BE HOT POWDER COATED AFTER GALVANIZING.

Approved
By File No.
El Paso County Planning and Community Development
on behalf of El Paso County Engineering Service Manager
07/17/2020 8:48:18 AM



SETTLERS RANCH - FILING NO. 2B

**DETENTION POND #4
PLAN & DETAILS**



19 E. Willamette Ave.
Colorado Springs, CO
80903
PH: 719-477-9429
FAX: 719-477-0766
www.jpseng.com



CALL UTILITY NOTIFICATION
CENTER OF COLORADO
1-800-922-1987
CALL 24 HOURS AHEAD IN ADVANCE
BEFORE YOU DIG, GRADE, OR EXCAVATE
FOR THE MARKING OF UNDERGROUND
MEMBER UTILITIES.

| BY | DATE | REVISION |
|-----|----------|-----------------|
| JPS | 10/01/15 | COUNTY COMMENTS |
| JPS | 12/30/15 | COUNTY COMMENTS |
| JPS | 2/18/16 | COUNTY COMMENTS |
| JPS | 3/4/20 | COUNTY COMMENTS |
| JPS | 6/24/20 | COUNTY COMMENTS |

| | |
|----------------------|------------------------|
| HORIZ. SCALE: 1"=50' | DRAWN: MJP |
| VERT. SCALE: N/A | DESIGNED: JPS |
| SURVEYED: RAMPART | CHECKED: JPS |
| CREATED: 6/18/15 | LAST MODIFIED: 8/24/20 |
| PROJECT NO: 030501 | MODIFIED BY: BJJ |
| SHEET: | |

C2.01B

C:\Users\Owner\Desktop\projects\030501\settlers\F2B\C2.01-F2.dwg Jun 30, 2020 9:33am