

UTILITY CONTACTS:

WATER - MERIDIAN SERVICE METROPOLITAN DISTRICT
 POC: BRADEN McCRORY
 (719)-495-6567

GAS - BLACK HILLS ENERGY
 (719)-393-6625

SANITARY SEWER - MERIDIAN SERVICE METROPOLITAN DISTRICT
 POC: BRADEN McCRORY
 (719)-495-6567

ELECTRIC - MOUNTAIN VIEW ELECTRIC ASSOC.
 (719)-495-2283

DRAINAGE - EL PASO COUNTY PCD/INSPECTIONS
 (719)-520-6300

FALCON FIRE PROTECTION DISTRICT
 (719) 495-4050

DRAINAGE - MERIDIAN SERVICE METROPOLITAN DISTRICT
 POC: TOM KERBY
 (719)-495-7444

CAUTION - NOTICE TO CONTRACTOR

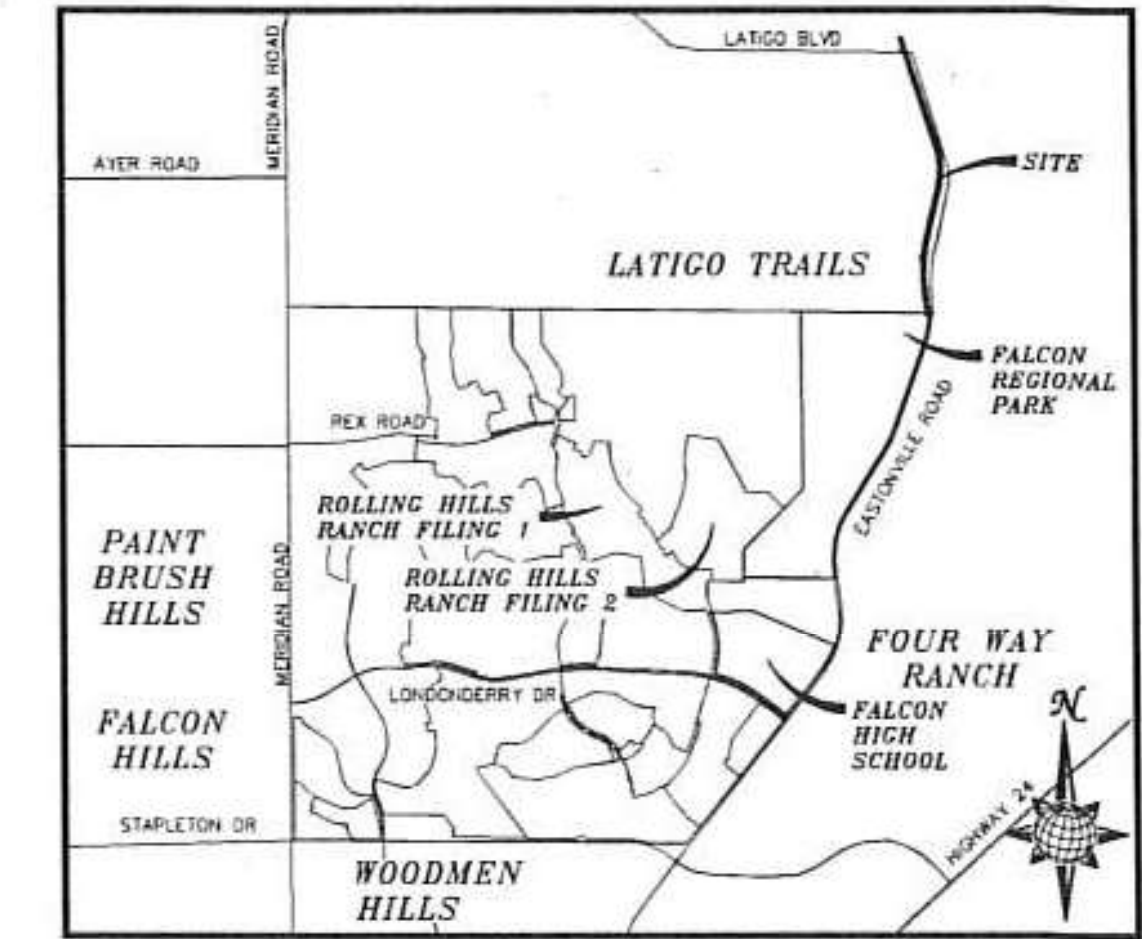
THE CONTRACTOR IS SPECIFICALLY CAUTIONED THAT THE LOCATION AND/OR ELEVATION OF EXISTING UTILITIES AS SHOWN ON THESE PLANS IS BASED ON RECORDS OF THE VARIOUS UTILITY COMPANIES AND, WHERE POSSIBLE, MEASUREMENTS TAKEN IN THE FIELD. THE INFORMATION IS NOT TO BE RELIED ON AS BEING EXACT OR COMPLETE. THE CONTRACTOR MUST CALL THE LOCAL UTILITY LOCATION CENTER AT LEAST 48 HOURS BEFORE ANY EXCAVATION TO REQUEST EXACT FIELD LOCATIONS OF UTILITIES. IT SHALL BE THE RESPONSIBILITY OF THE CONTRACTOR TO RELOCATE ALL EXISTING UTILITIES WHICH CONFLICT WITH THE PROPOSED IMPROVEMENTS SHOWN ON THE PLANS.

CONSTRUCTION DRAWINGS FOR LATIGO EASTONVILLE WATER PIPELINE

CONSTRUCTION PLANS

PREPARED FOR MERIDIAN SERVICE METROPOLITAN DISTRICT

PARCELS OF LAND LOCATED IN A PORTION OF SECTIONS 9, 16 AND 21,
 IN TOWNSHIP 12 SOUTH, RANGE 64 WEST OF THE 6TH PRINCIPAL MERIDIAN,
 EL PASO COUNTY, STATE OF COLORADO.



**VICINITY MAP
 N.T.S.**

SHEET NO	SHEET INDEX
1	COVER SHEET
2	INDEX SHEET
3-5	DETAIL SHEETS
6-10	PLAN AND PROFILE

No.	Revisions	Date	Inst.	Appr.	Date
1					
2					
3					
4					

TECH CONTRACTORS
 11886 STAPLETON DRIVE
 FALCON, CO 80831
 TELEPHONE: 719-495-7444
 FAX: 719-495-2457

OWNER'S STATEMENT:

I, THE OWNER HAVE READ AND WILL COMPLY WITH THE REQUIREMENTS OF THE GRADING AND EROSION CONTROL PLAN AND ALL OF THE REQUIREMENTS SPECIFIED IN THESE DETAILED PLANS AND SPECIFICATIONS.

J. Merkel 04/21/2023
 JIM MERKEL, GENERAL MANAGER DATE
 MERIDIAN SERVICE METROPOLITAN DISTRICT

DESIGN ENGINEER'S STATEMENT:

THESE DETAILED PLANS AND SPECIFICATIONS WERE PREPARED UNDER MY DIRECTION AND SUPERVISION. SAID PLANS AND SPECIFICATIONS HAVE BEEN PREPARED ACCORDING TO THE CRITERIA ESTABLISHED BY THE COUNTY FOR DETAILED ROADWAY, DRAINAGE, GRADING AND EROSION CONTROL PLANS AND SPECIFICATIONS, AND SAID DETAILED PLANS AND SPECIFICATIONS ARE IN CONFORMITY WITH APPLICABLE MASTER DRAINAGE AND MASTER TRANSPORTATION PLANS. SAID PLANS AND SPECIFICATIONS MEET THE PURPOSES FOR WHICH THE PARTICULAR ROADWAY AND DRAINAGE FACILITIES ARE DESIGNED AND ARE CORRECT TO THE BEST OF MY KNOWLEDGE AND BELIEF. I ACCEPT RESPONSIBILITY FOR ANY LIABILITY CAUSED BY ANY NEGLIGENT ACTS, ERRORS OR OMISSIONS ON MY PART IN PREPARATION OF THESE DETAILED PLANS AND SPECIFICATIONS.

THOMAS A. KERBY, P.E. #31429 DATE April 20, 2023

EL PASO COUNTY:

COUNTY PLAN REVIEW IS PROVIDED ONLY FOR GENERAL CONFORMANCE WITH COUNTY DESIGN CRITERIA. THE COUNTY IS NOT RESPONSIBLE FOR THE ACCURACY AND ADEQUACY OF THE DESIGN, DIMENSIONS, AND/OR ELEVATIONS WHICH SHALL BE CONFIRMED AT THE JOB SITE. THE COUNTY THROUGH THE APPROVAL OF THIS DOCUMENT ASSUMES NO RESPONSIBILITY FOR COMPLETENESS AND/OR ACCURACY OF THIS DOCUMENT.

IN ACCORDANCE WITH ECM SECTION 1.12, THESE CONSTRUCTION DOCUMENTS WILL BE VALID FOR CONSTRUCTION FOR A PERIOD OF 2 YEARS FROM THE DATE SIGNED BY THE EL PASO COUNTY ENGINEER. IF CONSTRUCTION HAS NOT BEEN STARTED WITHIN THOSE 2 YEARS, THE PLANS WILL NEED TO BE RESUBMITTED FOR APPROVAL, INCLUDING PAYMENT OF REVIEW FEES AT THE PLANNING AND COMMUNITY DEVELOPMENT DIRECTORS DISCRETION.

JOSHUA PALMER, P.E.
 COUNTY ENGINEER / ECM ADMINISTRATOR DATE

BASIS OF BEARING

BASIS OF BEARINGS FOR THIS DESCRIPTION IS THE SOUTH LINE OF THE SOUTHWEST QUARTER OF SECTION 29, T12S, R64W OF THE 6TH P.M., WHICH IS ASSUMED TO BEAR S89°25'42"E FROM THE SOUTHWEST CORNER OF SECTION 29 (A STONE W/SCRIBED "X") TO THE SOUTH QUARTER CORNER OF SECTION 29 (3.25" ALUM. CAP LS 30087).

OWNER'S STATEMENT:

I, THE OWNER HAVE READ AND WILL COMPLY WITH THE REQUIREMENTS OF THE GRADING AND EROSION CONTROL PLAN AND ALL OF THE REQUIREMENTS SPECIFIED IN THESE DETAILED PLANS AND SPECIFICATIONS.

Erug Altan 5/24/23
 ERUG ALTAN DATE
 FALCON LATIGO LLC

DISTRICT ENGINEER:

Thomas A. Kerby April 20, 2023
 THOMAS A. KERBY, PE CO 31429 DATE
 MERIDIAN SERVICE METROPOLITAN DISTRICT



BENCH MARK

1) MPRC1 - 3 1/4" ALUMINUM CAP ON NO.6 REBAR LOCATED AT THE NORTHEAST CORNER OF THE INTERSECTION OF LONDONDERRY DRIVE AND ANGELES ROAD, LOCATED AT THE SE CORNER OF THE MERIDIAN RANCH RECREATIONAL CENTER SIGN. ELEVATION - 7098.40'

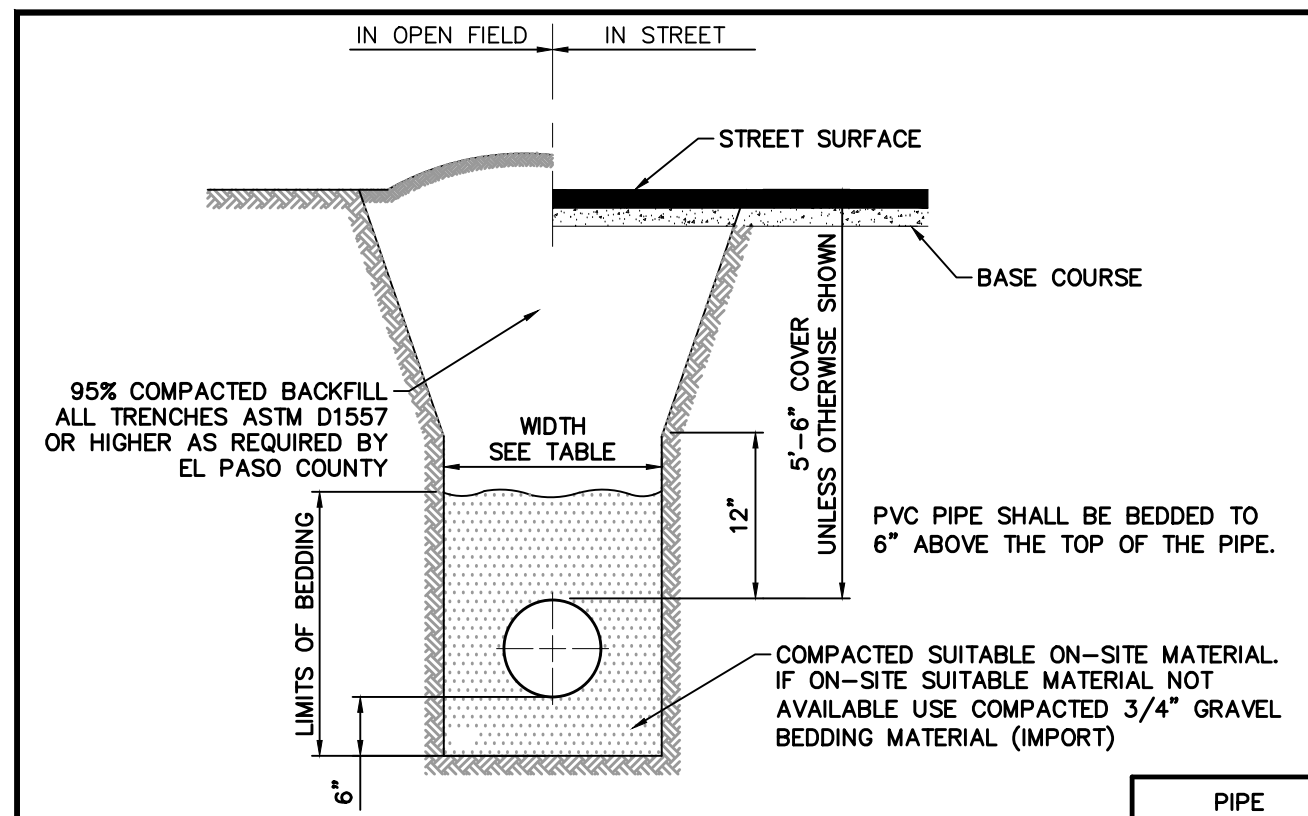
2) MRMS1 - 3 1/4" ALUMINUM CAP ON NO.6 REBAR LOCATED ON THE WEST SIDE OF RAINBOW BRIDGE DRIVE 1,150 FEET NORTH OF LONDONDERRY DRIVE, LOCATED NEAR THE BACK OF SIDE WALK AT THE NW CORNER OF RAINBOW BRIDGE DRIVE AND THE NORTHERLY ENTRANCE TO MERIDIAN RANCH ELEMENTARY SCHOOL (10480 RAINBOW BRIDGE DRIVE). ELEVATION - 7099.73'



MERIDIAN SERVICE
 METROPOLITAN DISTRICT
 LATIGO EASTONVILLE WATER
 PIPELINE
 COVERSHEET

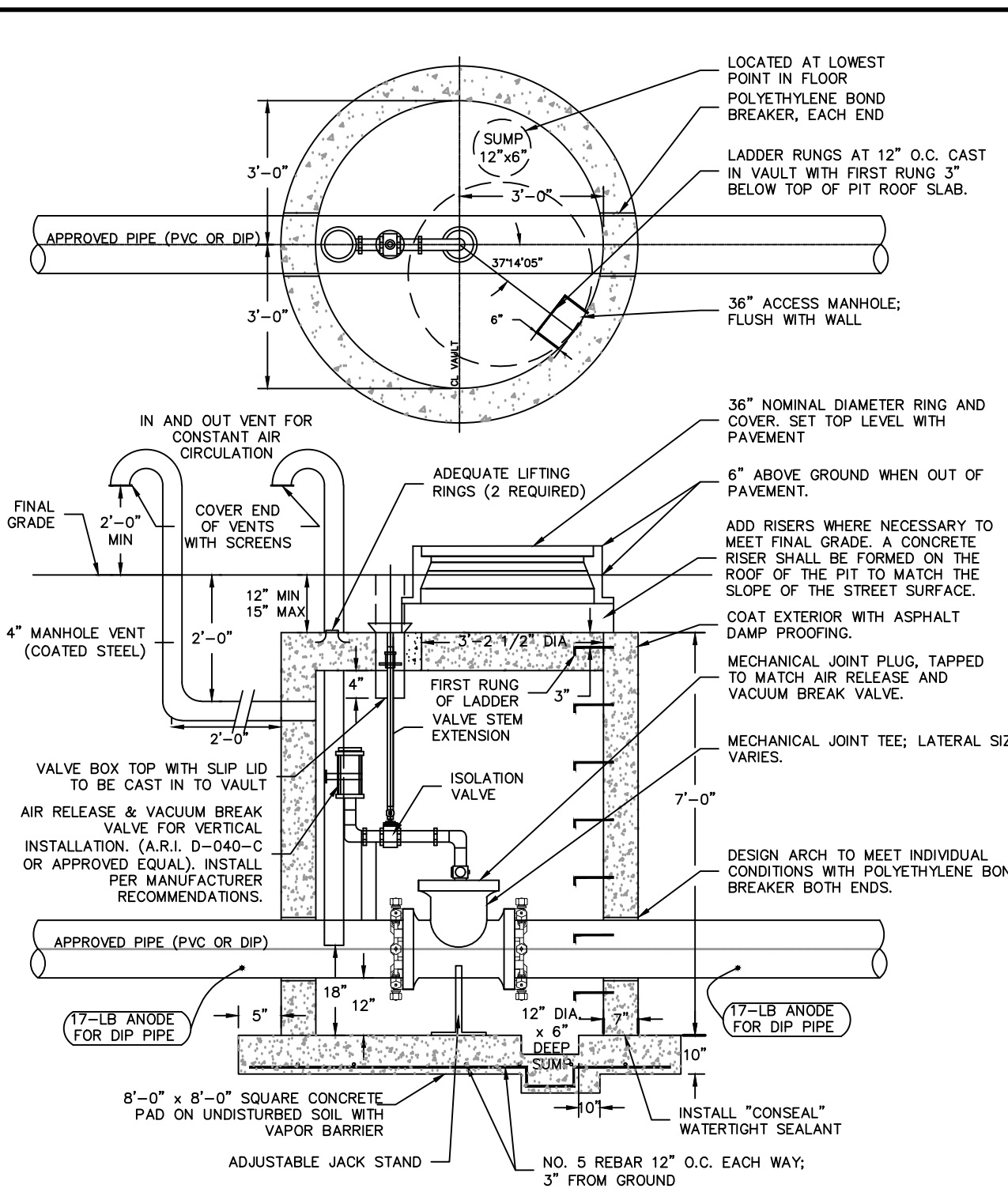
Drawn by LCA
 Checked by TK
 Date FEBRUARY 2023

Scale AS SHOWN
 1 of 10



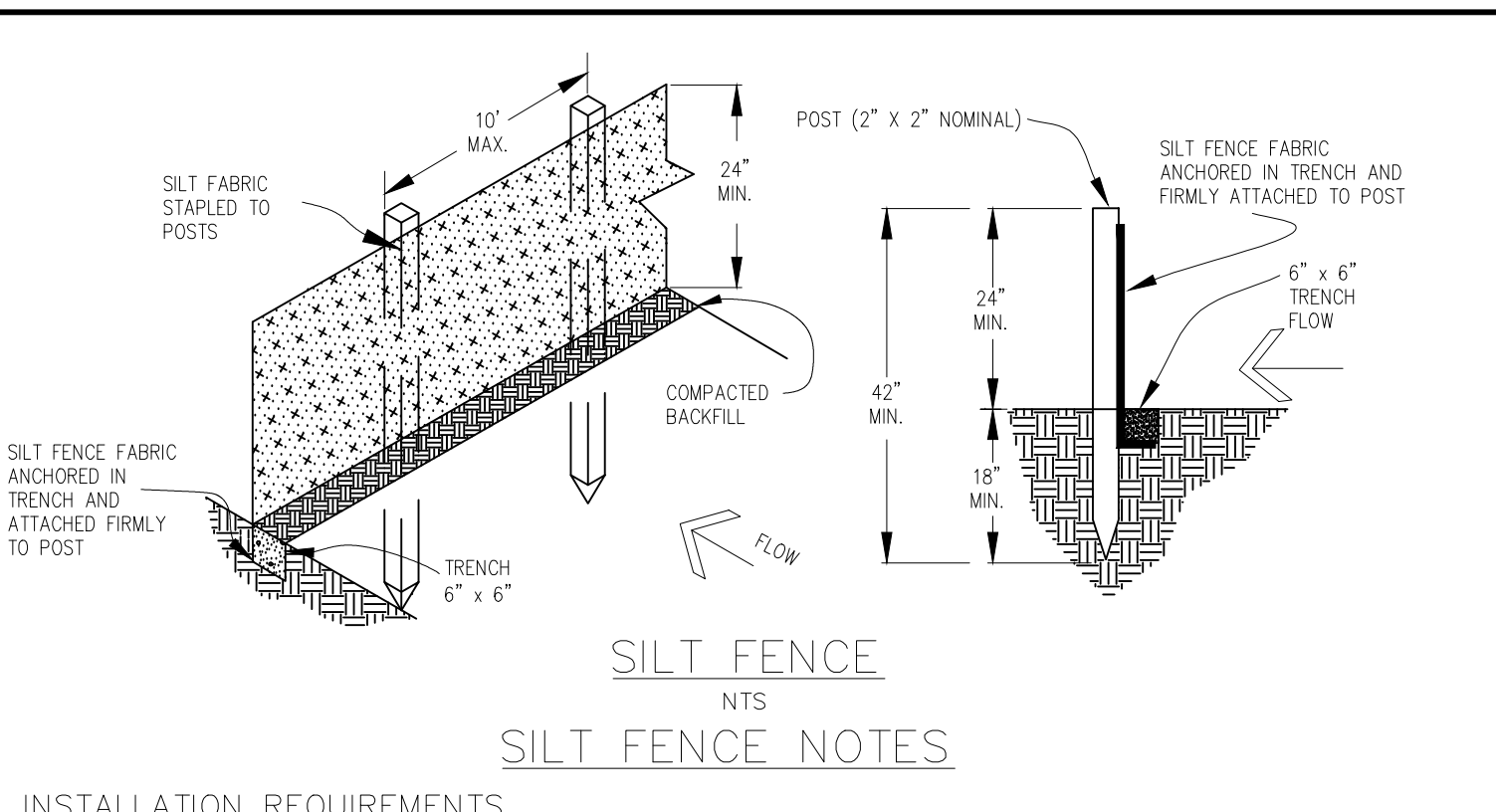
PIPE CHART

PIPE DIAMETER	MINIMUM WIDTH	MAXIMUM WIDTH
4"	1'-4"	4'-0"
6"	1'-6"	4'-0"
8"	1'-8"	4'-0"
12"	2'-0"	4'-0"
18"	3'-0"	4'-0"
24"	3'-6"	4'-0"
30"	4'-0"	6'-0"
36"	5'-0"	6'-0"
42"	6'-0"	8'-0"
48"	6'-0"	8'-0"
54"	8'-0"	8'-0"
60"	8'-0"	8'-0"
66"	8'-0"	10'-0"
72"	10'-0"	12'-0"



- NOTES:**
1. ALL CONCRETE WORK SHALL COMPLY WITH LATEST ACI-318 SPECIFICATIONS.
 2. ALL LADDER RUNGS MUST LINE UP BOTH HORIZONTALLY AND VERTICALLY.
 3. ALL SUPPORT MATERIALS SHALL BE GIVEN 2 COATS OF RUST INHIBITIVE PAINT.
 4. ALL LADDER RUNGS MUST LINE UP BOTH HORIZONTAL AND VERTICAL.
 5. AIR AND VACUUM VALVE STATIONS TO BE HOUSED IN A 6' DIAMETER PRECAST CONCRETE VAULT DESIGNED FOR HS-20 LOADING CONDITIONS AND 300 PSF SURCHARGE LOAD.
 6. GROUT ALL ARCHES FULL W/PORTLAND CEMENT, NON-SHRINK GROUT. SEAL AS NECESSARY FOR WATERTIGHT CONNECTION.

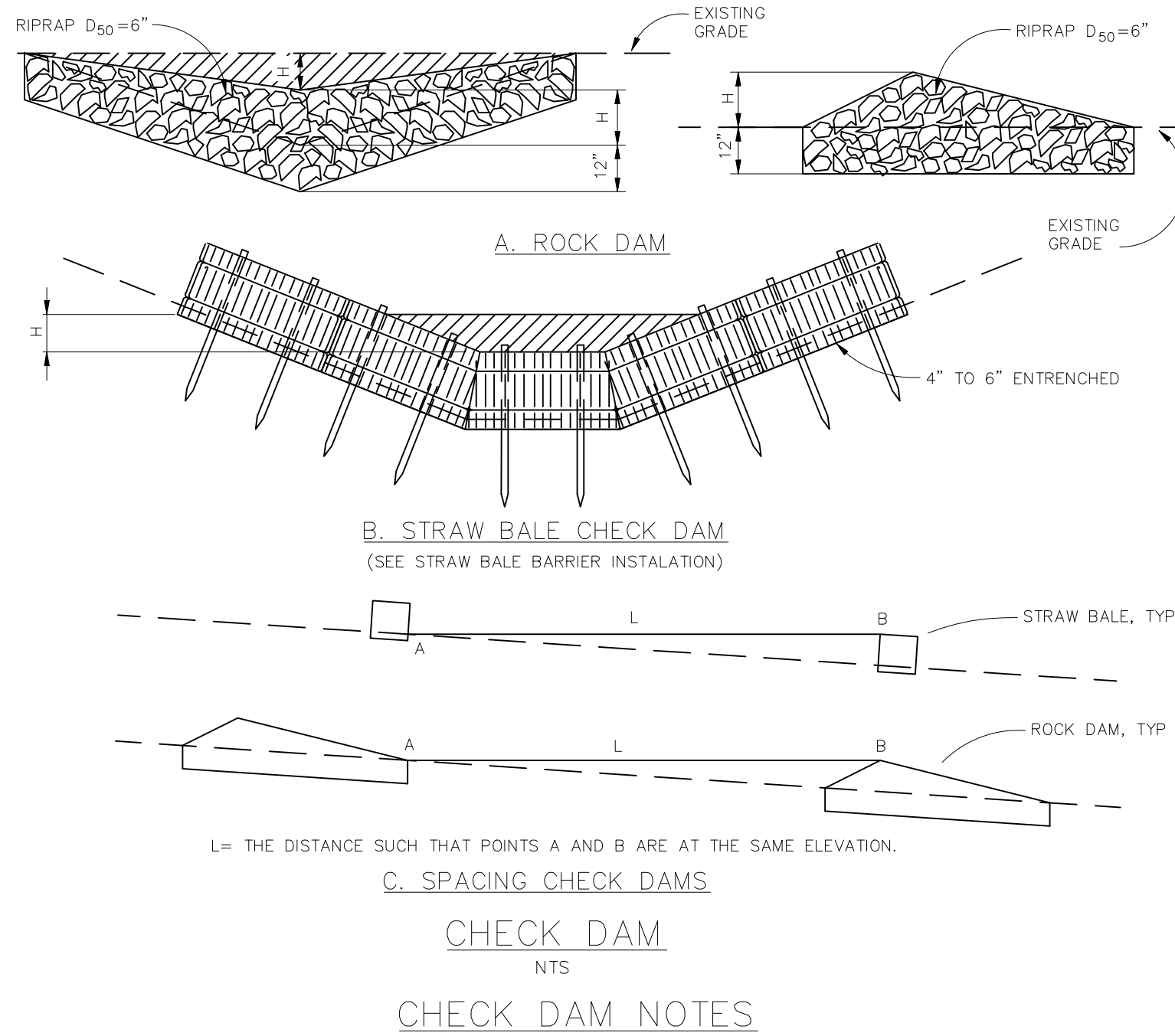
**AIR-VAC STATION
STA 34+82.02 SHEET 7
& STA 45+85.33 SHEET 8
SCALE : N.T.S.**



- INSTALLATION REQUIREMENTS**
1. SILT FENCES SHALL BE INSTALLED PRIOR TO ANY LAND DISTURBING ACTIVITIES.
 2. WHEN JOINTS ARE NECESSARY, SILT FENCE GEOTEXTILE SHALL BE SPLICED TOGETHER ONLY AT SUPPORT POST AND SECURELY SEALED.
 3. METAL POSTS SHALL BE "STUDDED TEE" OR "U" TYPE WITH MINIMUM WEIGHT OF 1.33 POUNDS PER LINEAR FOOT. WOOD POSTS SHALL HAVE A MINIMUM DIAMETER OR CROSS SECTION DIMENSION OF 2 INCHES.
 4. THE FILTER MATERIAL SHALL BE FASTENED SECURELY TO METAL OR WOOD POSTS USING WIRE TIES, OR TO WOOD POSTS WITH 3/4" LONG #9 HEAVY-DUTY STAPLES. THE SILT FENCE GEOTEXTILE SHALL NOT BE STAPLED TO EXISTING TREES.
 5. WHILE NOT REQUIRED, WIRE MESH FENCE MAY BE USED TO SUPPORT THE GEOTEXTILE. WIRE FENCE SHALL BE FASTENED SECURELY TO THE UPSLOPE SIDE OF THE POSTS USING HEAVY-DUTY WIRE STAPLES AT LEAST 3/4" LONG. TIE WIRES OR HOG RINGS. THE WIRE SHALL EXTEND INTO THE TRENCH A MINIMUM OF 6" AND SHALL NOT EXTEND MORE THAN 3' ABOVE THE ORIGINAL GROUND SURFACE.
- MAINTENANCE REQUIREMENTS**
1. CONTRACTOR SHALL INSPECT SILT FENCES IMMEDIATELY AFTER EACH RAINFALL, AT LEAST DAILY DURING PROLONGED RAINFALL, AND WEEKLY DURING PERIODS OF NO RAINFALL. DAMAGED, COLLAPSED, UNINTRENCHED OR INEFFECTIVE SILT FENCES SHALL BE PROMPTLY REPAIRED OR REPLACED.
 2. SEDIMENT SHALL BE REMOVED FROM BEHIND SILT FENCE WHEN IT ACCUMULATES TO HALF THE EXPOSED GEOTEXTILE HEIGHT.
 3. SILT FENCES SHALL BE REMOVED WHEN ADEQUATE VEGETATIVE COVER IS ATTAINED AS APPROVED BY THE CITY.

LEGEND		
SYMBOL	ACRONYM	DESCRIPTION
[Symbol]	RCP W/FES	REINFORCED CONCRETE PIPE W/FLARED END SECTIONS
[Symbol]	INLET	STORM SEWER INLET BOX
[Symbol]	STMH	STORM SEWER MANHOLE
[Symbol]	ST	STORM SEWER LINE
[Symbol]	SS	SANITARY SEWER MAIN
[Symbol]	MR SSMH	SANITARY SEWER MANHOLE
[Symbol]	WM	WATER MAIN (ALL PIPES PVC, UNLESS OTHERWISE NOTED)
[Symbol]	GV	WATER GATE VALVE
[Symbol]	BV	WATER BUTTERFLY VALVE
[Symbol]	BOV	WATER BLOW-OFF VALVE
[Symbol]	HYD ASSY	FIRE HYDRANT ASSEMBLY
[Symbol]	TEE W/GV	WATER TEE W/ GATE VALVES
[Symbol]	TS	TEST STATION
[Symbol]	HB	HAY BALE DAM (INTERIM)
[Symbol]	SF	SILT FENCE (INITIAL/INTERIM)
[Symbol]	RD	ROCK DAM (INTERIM)
[Symbol]	PI	EXISTING FEATURES
[Symbol]	PI	POINT OF INTERSECTION
[Symbol]	PI	EXISTING CONTOUR (10')
[Symbol]	PI	EXISTING CONTOUR (2')
[Symbol]	PI	FLOW DIRECTION ARROW
[Symbol]	VTC	VEHICLE TRACKING CONTROL (INITIAL/INTERIM)
[Symbol]	CWA	CONCRETE WASHOUT (INTERIM)
[Symbol]	CWA	CONSTRUCTION BOUNDARY
[Symbol]	CWA	LIMITS OF DISTURBANCE

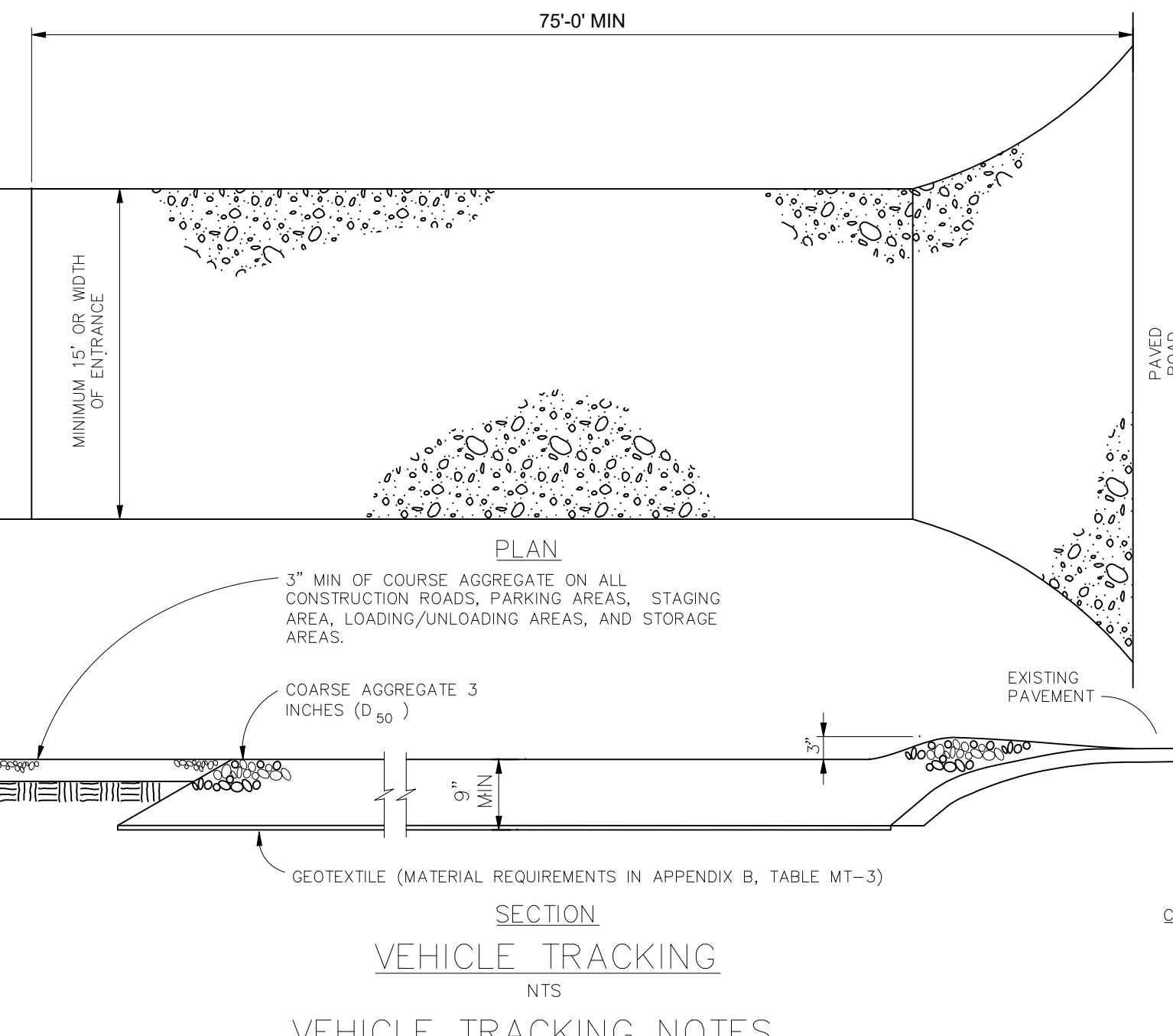
NOTE:
STAGGING AREA, VTC AND CWA TO BE LOCATED AND UPDATED IN THE CONTRACTORS SWMP.



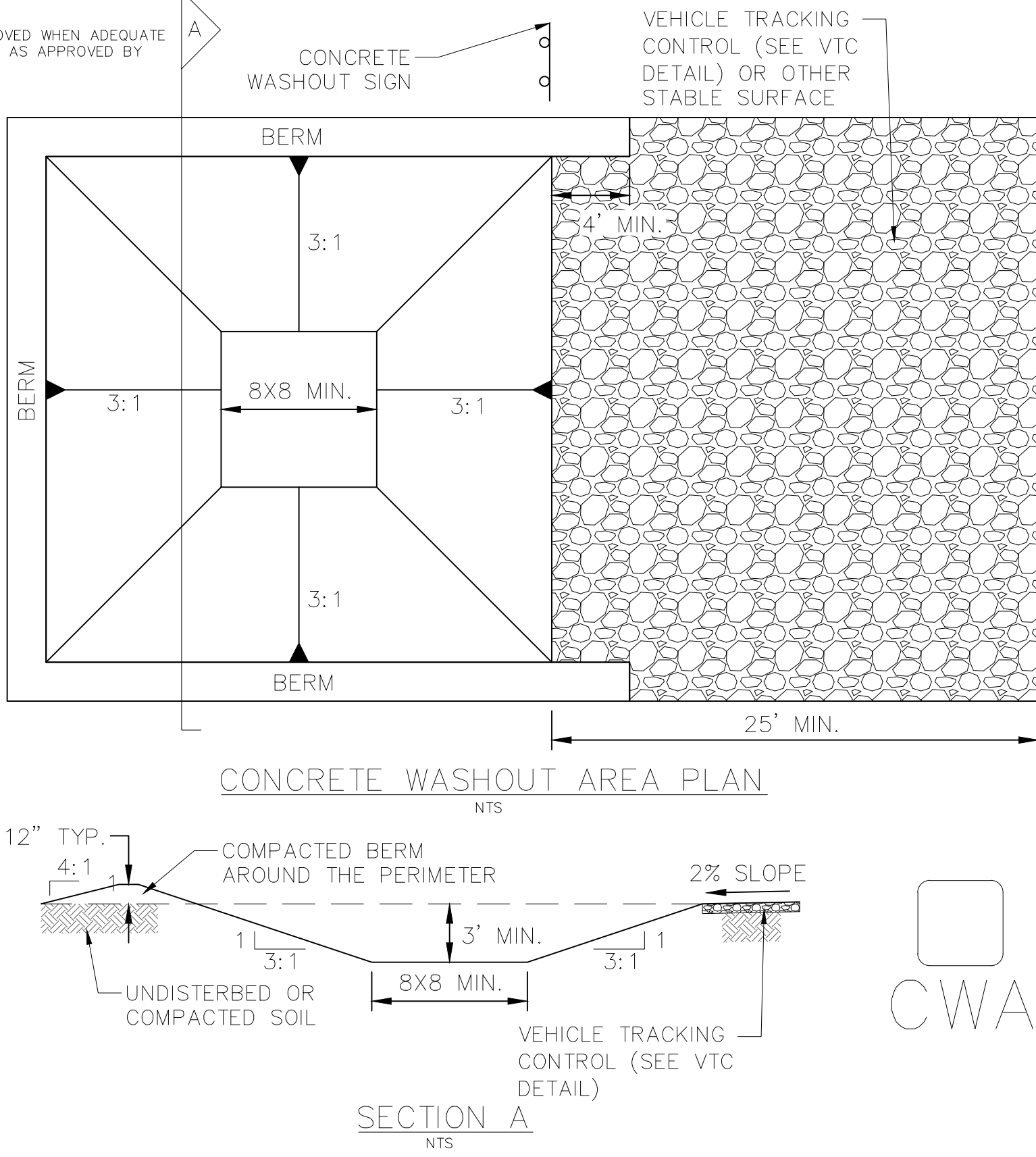
- INSTALLATION REQUIREMENTS**
1. STRAW BALES USED AS CHECK DAMS ARE TO MEET THE REQUIREMENTS STATED IN FIGURE SBB-2.
 2. THE "H" DIMENSION SHALL BE SELECTED TO PROVIDE WEIR FLOW CONVEYANCE FOR 2-YEAR FLOW OR GREATER.
- MAINTENANCE REQUIREMENTS**
1. REGULAR INSPECTIONS ARE TO BE MADE OF ALL CHECK DAMS, ESPECIALLY AFTER STORM EVENTS.
 2. REPLACE STONE AS NECESSARY TO MAINTAIN THE CORRECT HEIGHT OF THE DAM.
 3. ACCUMULATED SEDIMENT AND DEBRIS IS TO BE REMOVED FROM BEHIND THE DAMS AFTER EACH STORM OR WHEN 1/2 OF THE ORIGINAL HEIGHT OF THE DAM IS REACHED.
 4. CHECK DAMS ARE TO REMAIN IN PLACE AND OPERATIONAL UNTIL THE DRAINAGE AREA AND CHANNEL ARE PERMANENTLY STABILIZED.
 5. WHEN CHECK DAMS ARE REMOVED THE CHANNEL LINING OR VEGETATION IS TO BE RESTORED.

**TWO WORKING DAYS
BEFORE YOU DIG
CALL 811**

OR
UTILITY NOTIFICATION CENTER OF COLORADO
1-800-922-1987
(SEE COVER FOR LIST OF UTILITY CONTACTS)



- INSTALLATION REQUIREMENTS**
1. ALL ENTRANCES TO THE CONSTRUCTION SITE ARE TO BE STABILIZED PRIOR TO CONSTRUCTION BEGINNING.
 2. CONSTRUCTION ENTRANCES ARE TO BE BUILT WITH AN APRON TO ALLOW FOR TURNING TRAFFIC, BUT SHOULD NOT BE BUILT OVER EXISTING PAVEMENT EXCEPT FOR A SLIGHT OVERLAP.
 3. AREAS TO BE STABILIZED ARE TO BE PROPERLY GRADED AND COMPACTED PRIOR TO LAYING DOWN GEOTEXTILE AND STONE.
 4. CONSTRUCTION ROADS, PARKING AREAS, LOADING/UNLOADING ZONES, STORAGE AREAS, AND STAGING AREAS ARE TO BE STABILIZED.
 5. CONSTRUCTION ROADS ARE TO BE BUILT TO CONFORM TO SITE GRADES, BUT SHOULD NOT HAVE SIDE SLOPES OR ROAD GRADES THAT ARE EXCESSIVELY STEEP.
- MAINTENANCE REQUIREMENTS**
1. REGULAR INSPECTIONS ARE TO BE MADE OF ALL STABILIZED AREAS, ESPECIALLY AFTER STORM EVENTS.
 2. STONES ARE TO BE REAPPLIED PERIODICALLY AND WHEN REPAIR IS NECESSARY.
 3. SEDIMENT TRACKED ONTO PAVED ROADS IS TO BE REMOVED DAILY BY SHOVELING OR SWEEPING. SEDIMENT IS NOT TO BE WASHED DOWN STORM SEWER DRAINS.
 4. STORM SEWER INLET PROTECTION IS TO BE IN PLACE, INSPECTED, AND CLEANED IF NECESSARY.
 5. OTHER ASSOCIATED SEDIMENT CONTROL MEASURES ARE TO BE INSPECTED TO ENSURE GOOD WORKING CONDITION.



- CWA INSTALLATION NOTES:**
1. SEE PLAN VIEW FOR CWA INSTALLATION LOCATION.
 2. DO NOT LOCATE AN UNLINED CWA WITHIN 400' OF ANY NATURAL DRAINAGE PATHWAY OR WATERBODY. DO NOT LOCATE WITHIN 1000' OF ANY WELLS OR DRINKING WATER SOURCES. IF SITE CONSTRAINTS MAKE THIS INFEASIBLE, OR IF HIGHLY PERMEABLE SOILS EXIST ON SITE, THE CWA MUST BE INSTALLED WITH AN IMPERMEABLE LINER (16 MIL MIN. THICKNESS) OR SURFACE STORAGE ALTERNATIVES USING PREFABRICATED CONCRETE WASHOUT DEVICES OR A LINED ABOVE GROUND STORAGE SHOULD BE USED.
 3. THE CWA SHALL BE INSTALLED PRIOR TO CONCRETE PLACEMENT ON SITE.
 4. CWA SHALL INCLUDE A FLAT SUBSURFACE PIT THAT IS AT LEAST 8' X 8'. SLOPES LEADING OUT OF THE SUBSURFACE PIT SHALL BE 3:1 OR FLATTER. THE PIT SHALL BE AT LEAST 3' DEEP.
 5. BERM SURROUNDING SIDES AND BACK OF THE CWA SHALL HAVE A MINIMUM HEIGHT OF 1'.
 6. VEHICLE TRACKING PAD SHALL BE SLOPED 2% TOWARDS THE CWA.
 7. SIGNS SHALL BE PLACED AT THE CONSTRUCTION ENTRANCE, AT THE CWA, AND ELSEWHERE AS NECESSARY TO CLEARLY INDICATE THE LOCATION OF THE CWA TO OPERATORS OF CONCRETE TRUCKS AND PUMP RIGS.
 8. USE EXCAVATED MATERIAL FOR PERIMETER BERM CONSTRUCTION.
- CWA MAINTENANCE NOTES:**
1. INSPECT BMPs EACH WORKDAY AND MAINTAIN THEM IN EFFECTIVE OPERATING CONDITION. MAINTENANCE OF BMPs SHOULD BE PROACTIVE, NOT REACTIVE. INSPECT BMPs AS SOON AS POSSIBLE (AND ALWAYS WITHIN 24 HOURS) FOLLOWING A STORM THAT CAUSES SURFACE EROSION AND PERFORM NECESSARY MAINTENANCE.
 2. FREQUENT OBSERVATIONS AND MAINTENANCE ARE NECESSARY TO MAINTAIN BMPs IN EFFECTIVE OPERATING CONDITION. INSPECTIONS AND CORRECTIVE MEASURES SHOULD BE DOCUMENTED THOROUGHLY.
 3. WHERE BMPs HAVE FAILED, REPAIR OR REPLACEMENT SHOULD BE INITIATED UPON DISCOVERY OF THE FAILURE.
 4. THE CWA SHALL BE REPAIRED, CLEANED, OR ENLARGED AS NECESSARY TO MAINTAIN CAPACITY FOR CONCRETE WASTE. CONCRETE MATERIALS ACCUMULATED IN PIT SHALL BE REMOVED ONCE THE MATERIALS HAVE REACHED A DEPTH OF 2'.
 5. CONCRETE WASHOUT WATER, WASTED PIECES OF CONCRETE AND ALL OTHER DEBRIS IN THE SUBSURFACE PIT SHALL BE TRANSPORTED FROM THE JOB SITE IN A WATER-TIGHT CONTAINER AND DISPOSED OF PROPERLY.
 6. THE CWA SHALL REMAIN IN PLACE UNTIL ALL CONCRETE FOR THE PROJECT IS PLACED.
 7. WHEN THE CWA IS REMOVED, COVER THE DISTURBED AREA WITH TOPSOIL, SEED AND MULCH OR OTHERWISE STABILIZED IN A MANNER APPROVED BY THE LOCAL JURISDICTION.

TECH CONTRACTORS
11886 STAPLETON DRIVE
FALCON, CO 80831
TELEPHONE: 719.495.7444
FAX: 719.495.2457

MERIDIAN SERVICE
EST. 2000
METROPOLITAN DISTRICT

MERIDIAN SERVICE
METROPOLITAN DISTRICT
LATIGO EASTONVILLE WATER PIPELINE
DETAIL SHEET

Scale: **AS SHOWN**

Drawn by: **LOG**

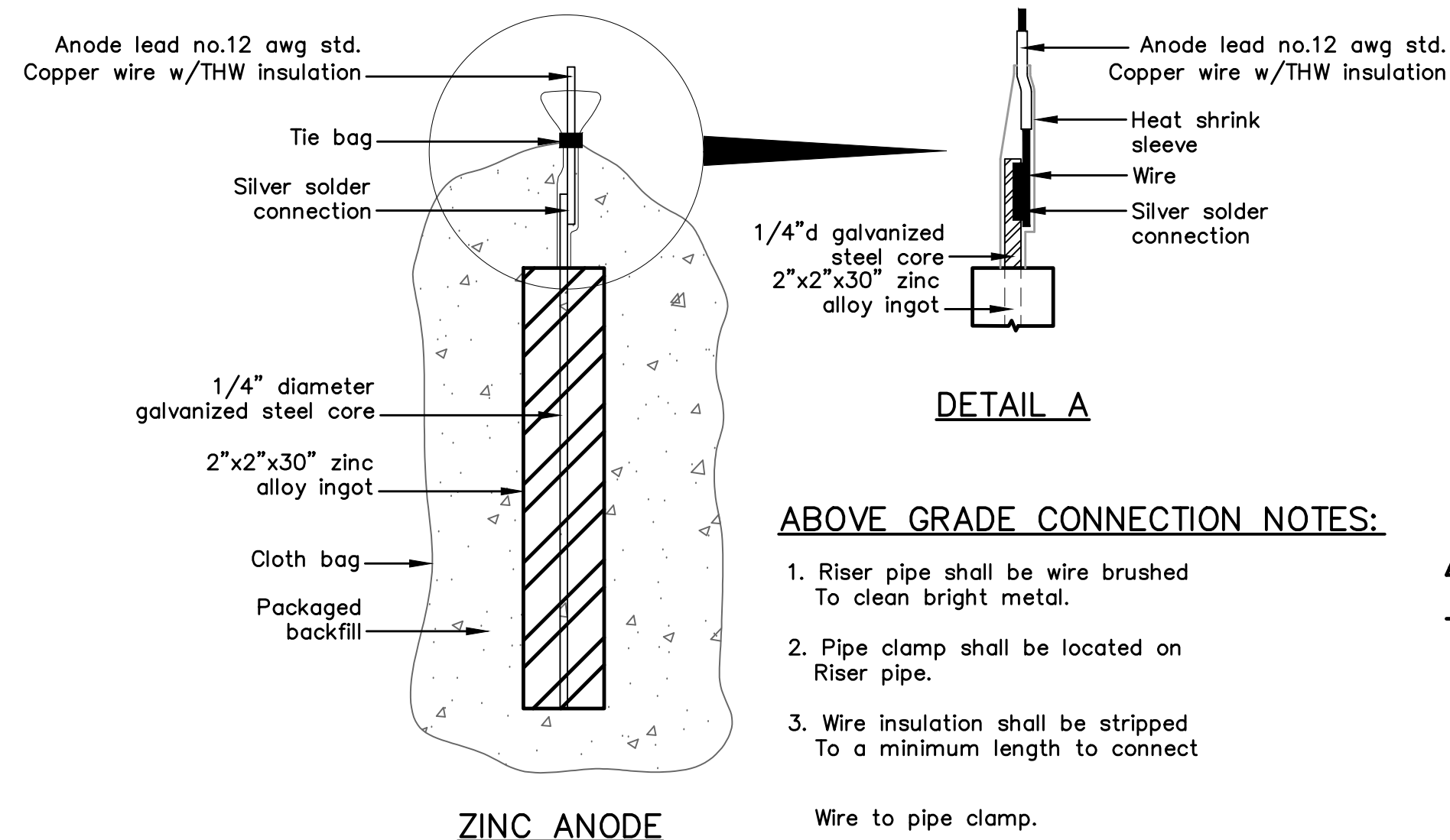
Checked by: **TAK**

Date: **FEBRUARY 2023**

3 of 10

PROFESSIONAL ENGINEER
31429
2023

EPC PCD NO. CDR2310



ZINC ANODE

ZINC ANODE AND CONNECTORS FOR 1" AND 2" WATER SERVICE

ABOVE GRADE CONNECTION NOTES:

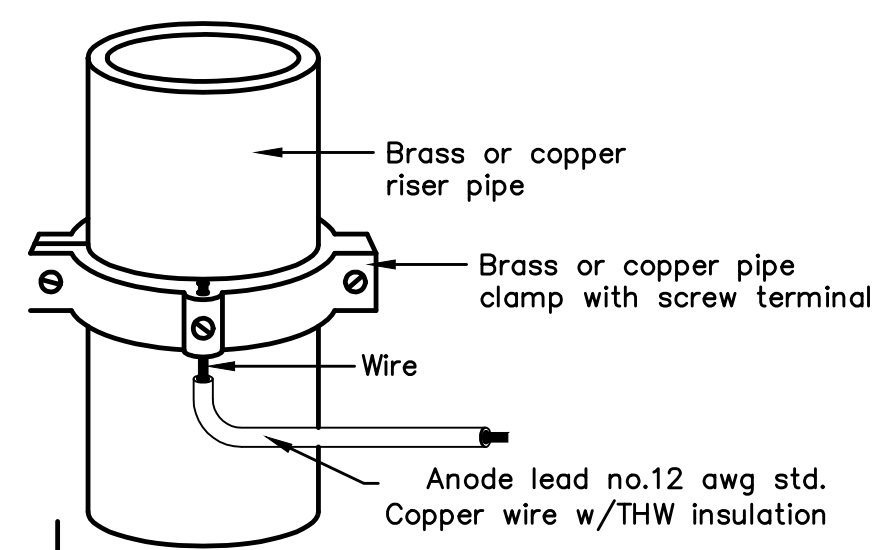
1. Riser pipe shall be wire brushed To clean bright metal.
2. Pipe clamp shall be located on Riser pipe.
3. Wire insulation shall be stripped To a minimum length to connect

Wire to pipe clamp.

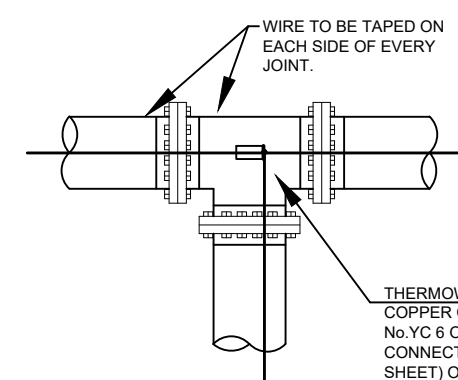
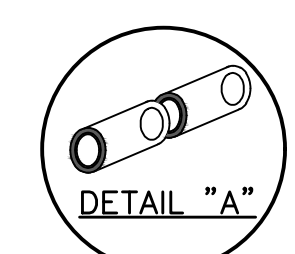
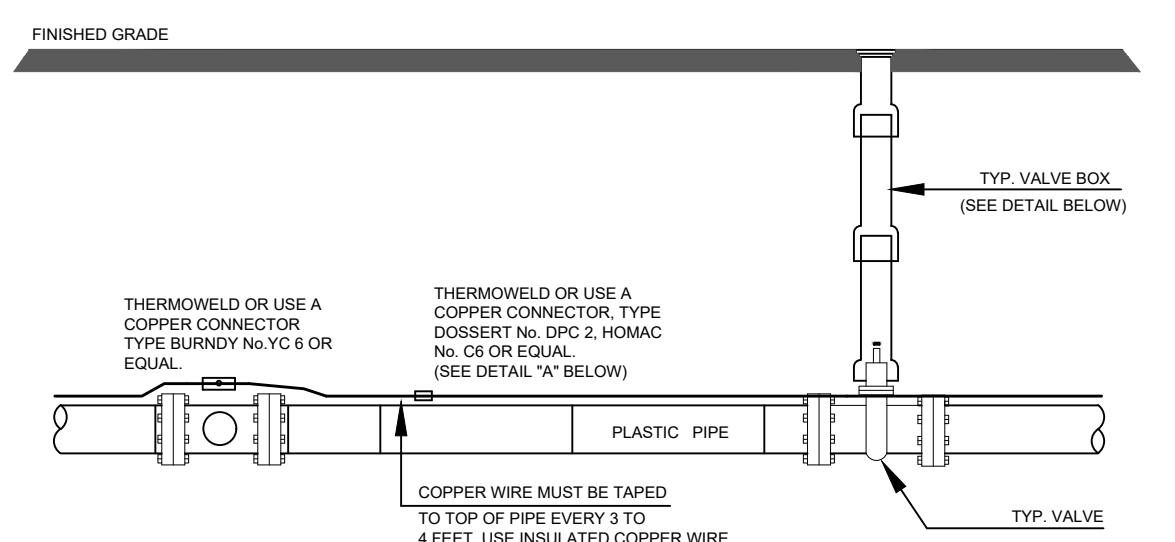
PACKAGED BACKFILL COMPOSITION:

75% gypsum
20% bentonite
5% sodium sulfate

Ingot weight: 30 lbs.
Pkgd. Weight: 70 lbs. Approx.



ANODE LEAD ABOVE GRADE CONNECTION



Anode Design

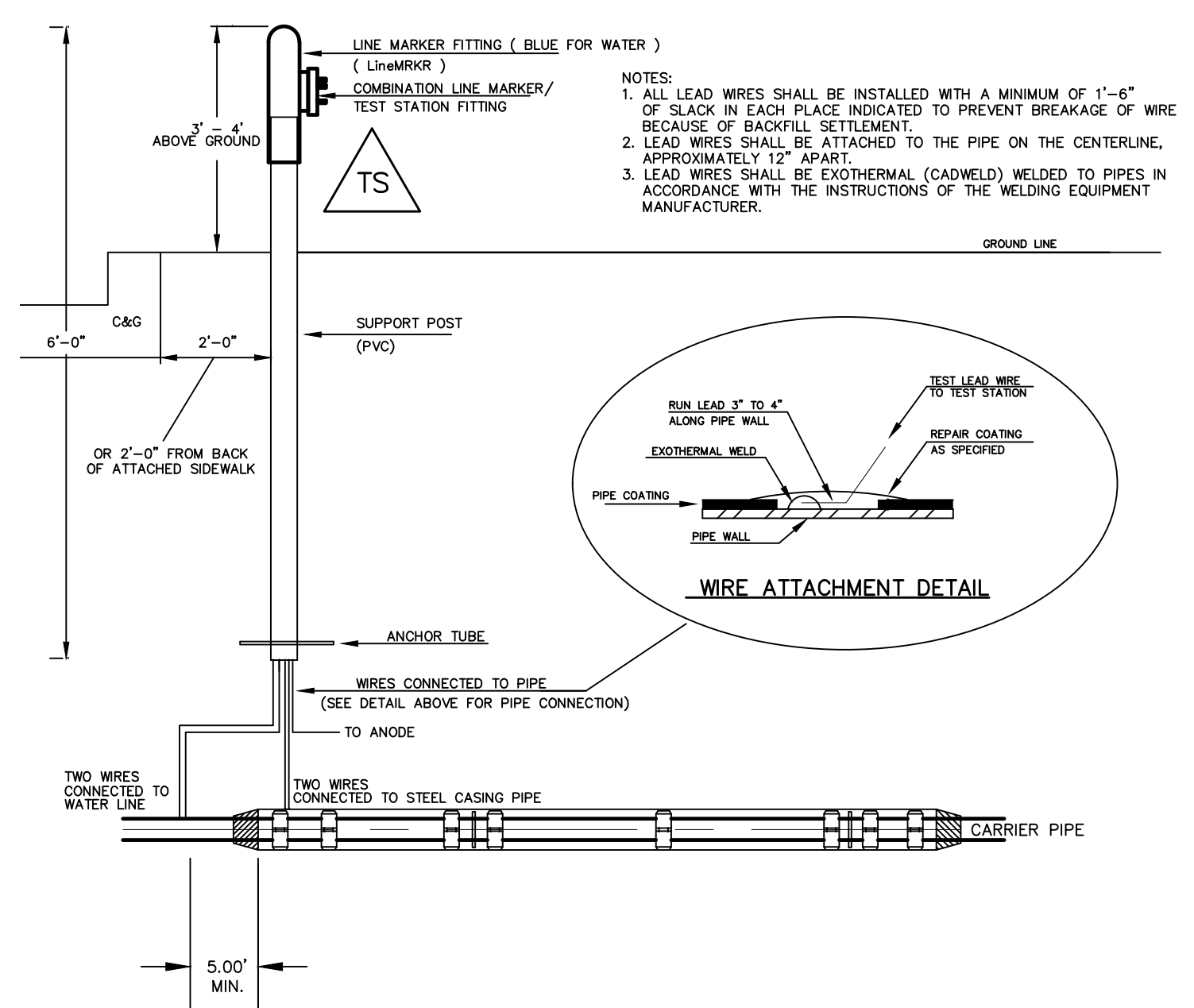
For use with DIP in conjunction with poly-wrap sleeves and piping in 1000 ohm-cm soil estimating a 5% holiday area.

Pipe Size Inches	Actual OD Inches	Anode Spacing Feet (see note 2)	Anode Weight (lb)
4	4.8	763	17 lb
6	6.9	531	17 lb
8	9.05	405	17 lb
12	13.20	277	17 lb
16	16	210	32 lb
20	20	169	32 lb
24	24	142	48 lb
30	30	114	48 lb
36	36	95.7	48 lb
42	42	82.4	48 lb
48	48	72.1	48 lb
54	54	64.2	48 lb

The distance from the point of the beginning to the first anode shall not exceed one half the recommended spacing.

NOTES

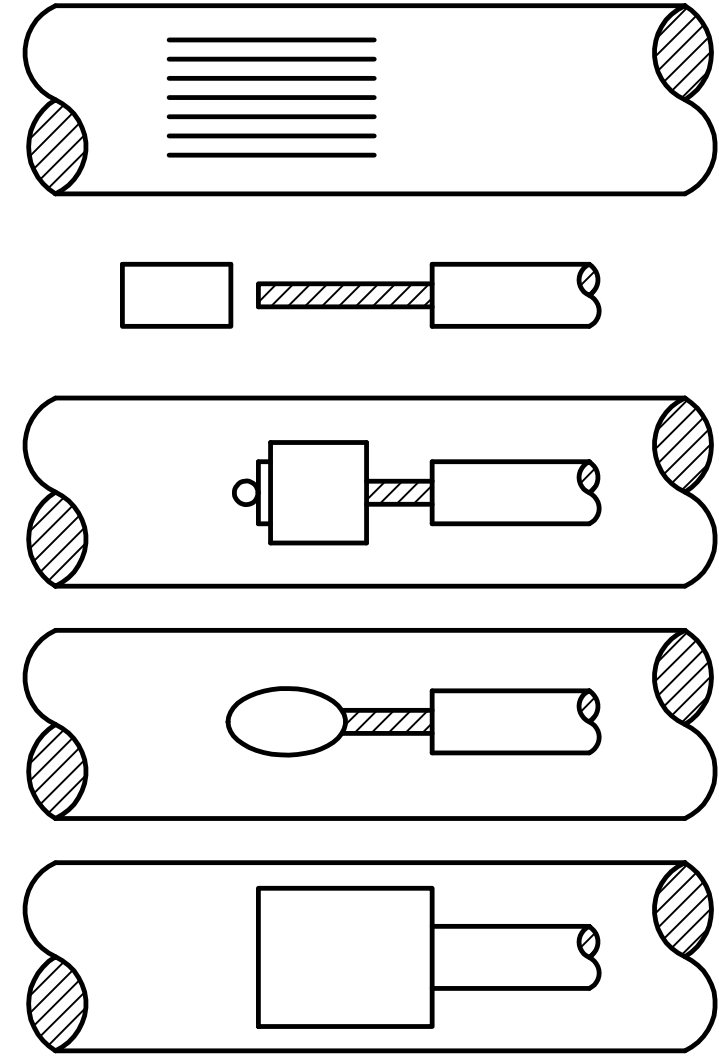
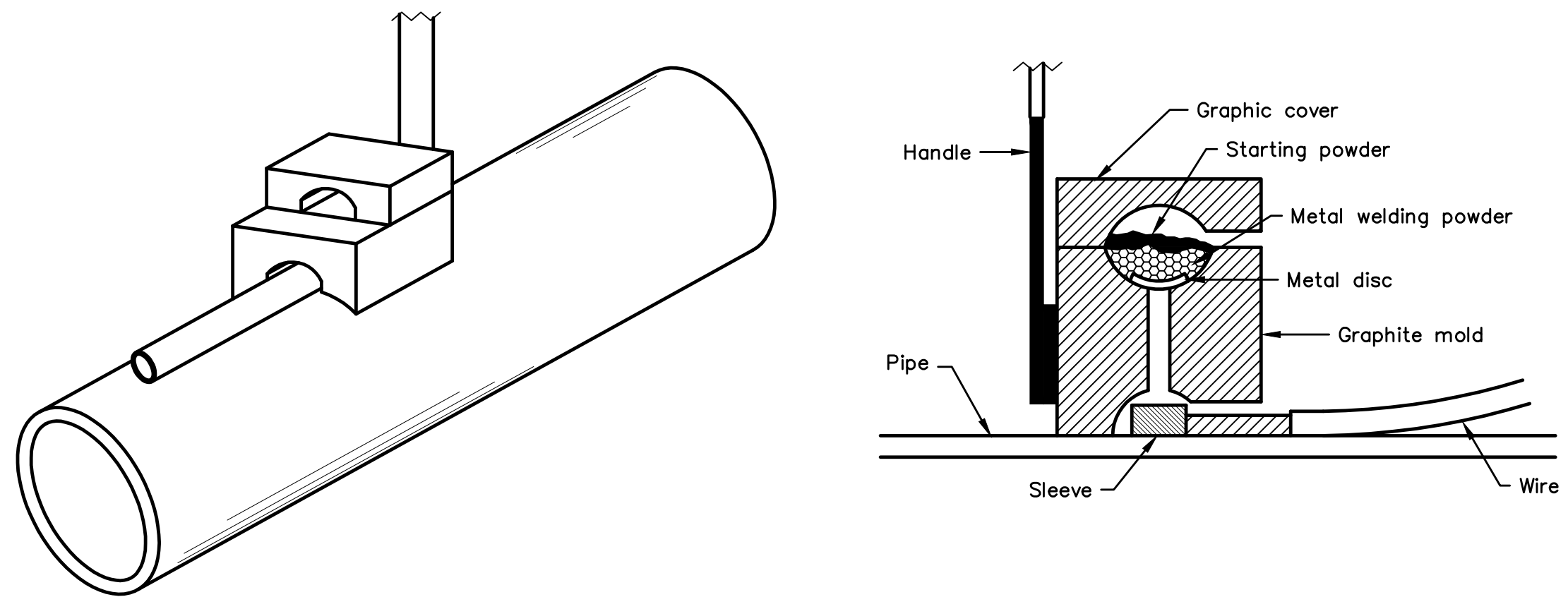
1. Cadweld connection to be primed and coated carefully. Packed anode should be covered with fine soil containing no rocks or dirt clumps, tamped.
2. When anodes are required with metal fittings and appurtenances together with PVC pipe installations, the anodes shall be placed and attached to the metal fittings in same manner as shown on this drawing. 9 lb anodes can be used on metal fittings when using PVC pipe.
3. Packaged anode to be wetted and covered with soil prior to backfilling.



TYPICAL DETAIL FOR TEST STATION WITH STEEL SLEEVE INSTALLATION

NOTES:

- 1.) Lowerings to be cathodically protected under the direction of the MSMD Inspector, per standards. (For anode size see detail above.)
- 2.) Example can vary due to site conditions and MSMD Inspector's direction's.
- 3.) Reference Colorado Springs Utilities Standard Detail Drawing No. A 8-6 - Steel Sleeve Installation.



NOTES:

1. All wire welds shall be minimum 3 inches apart.
2. Standard weld cartridges shall be used for steel surfaces.

EXOTHERMIC WELD PROCESS

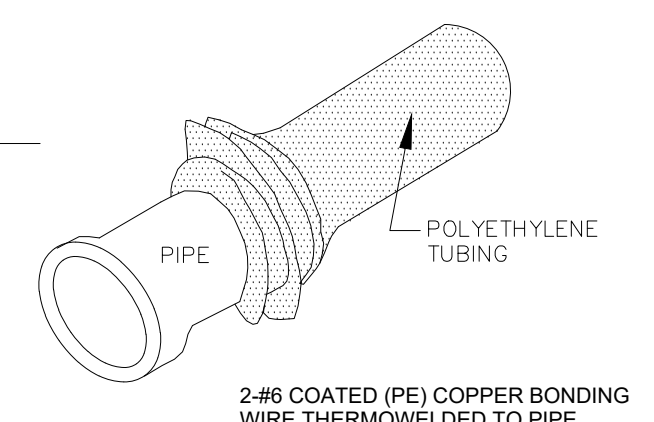
NOTE

1. Contractor is responsible for continuity of all tracer wire.
2. Tracer wire is required on all pipes per MSMD specifications (PVC and HDPE).

FIELD INSTALLATION OF POLYETHYLENE WRAP FOR DIP PIPE AND FITTINGS.

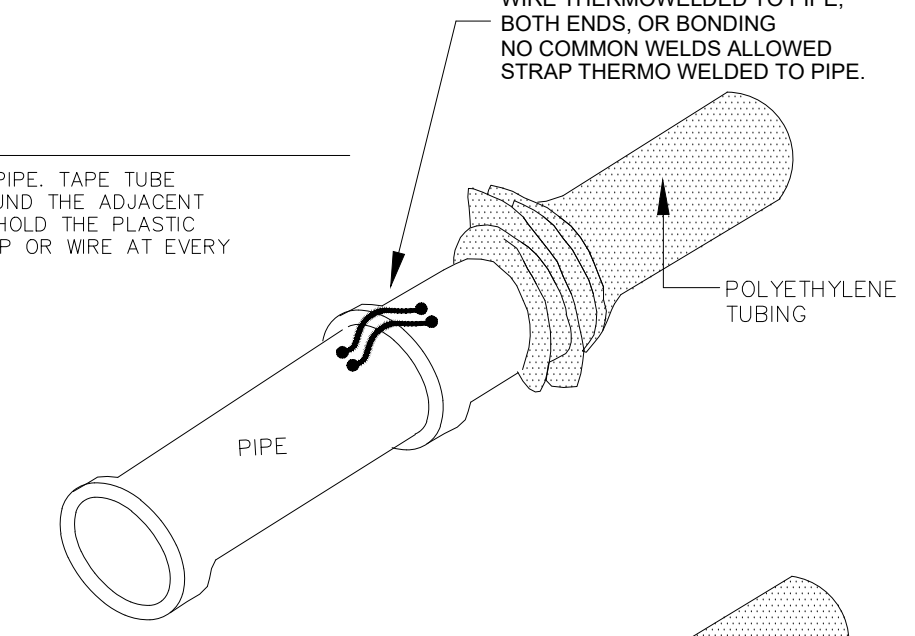
STEP 1:

PLACE TUBE OF POLYETHYLENE MATERIAL ON PIPE PRIOR TO LOWERING IT INTO TRENCH.



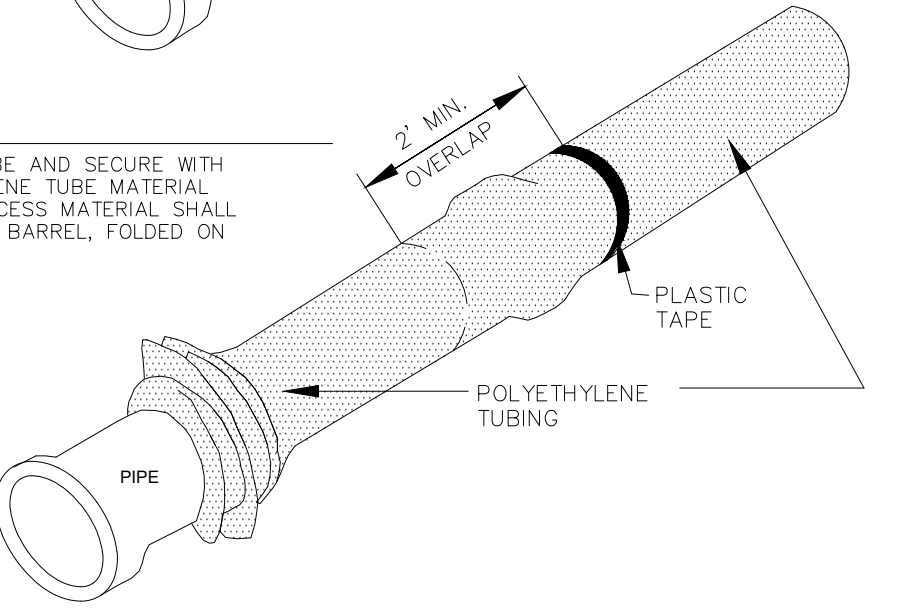
STEP 2:

PULL TUBE OVER THE LENGTH OF THE PIPE. TAP TUBE TO END AT JOINT. FOLD MATERIAL AROUND THE ADJACENT SPIGOT END AND WRAP WITH TAPE TO HOLD THE PLASTIC TUBE IN PLACE. INSTALL BONDING STRAP OR WIRE AT EVERY JOINT OF PIPE PRIOR TO WRAPPING.



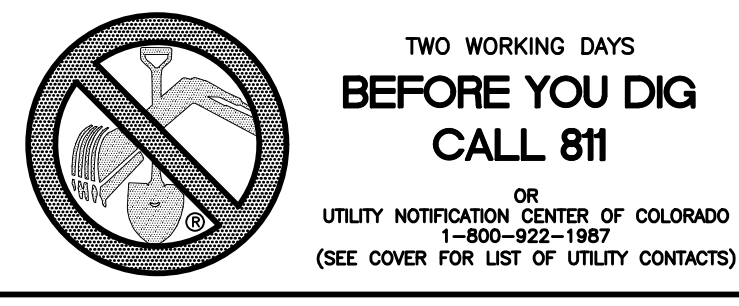
STEP 3:

OVERLAP FIRST TUBE WITH ADJACENT TUBE AND SECURE WITH PLASTIC ADHESIVE TAPE. THE POLYETHYLENE TUBE MATERIAL COVERING THE PIPE SHALL BE LOOSE. EXCESS MATERIAL SHALL BE NEATLY DRAWN UP AROUND THE PIPE BARREL, FOLDED ON TOP OF PIPE AND TAPED IN PLACE.

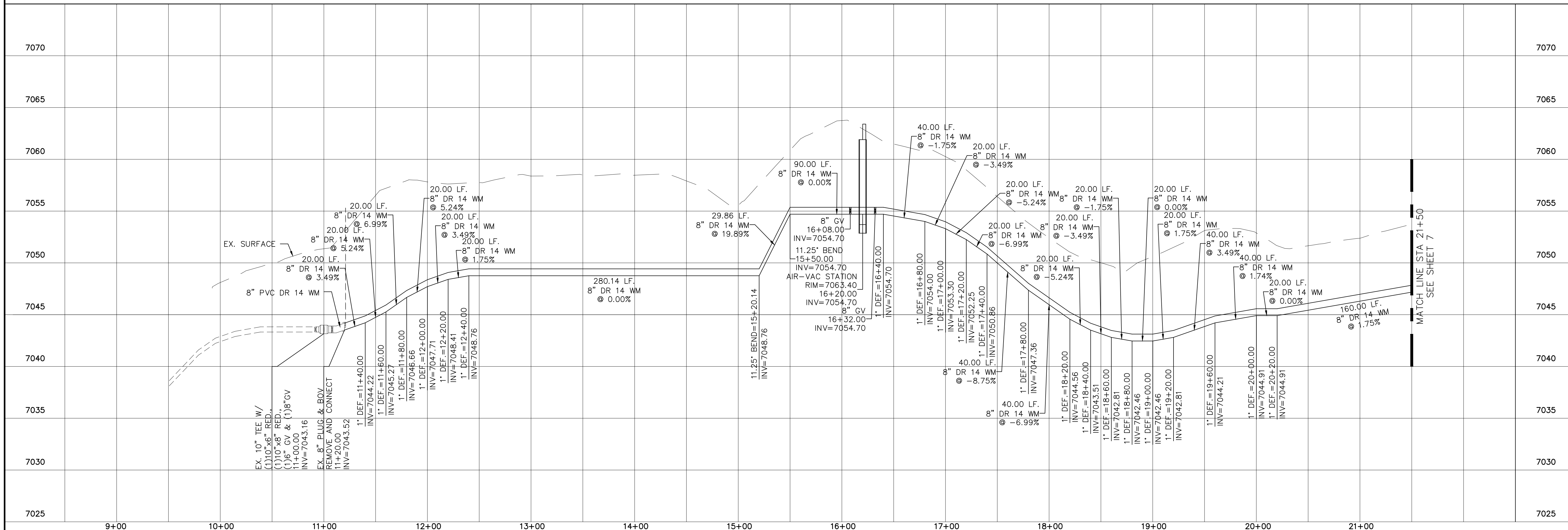
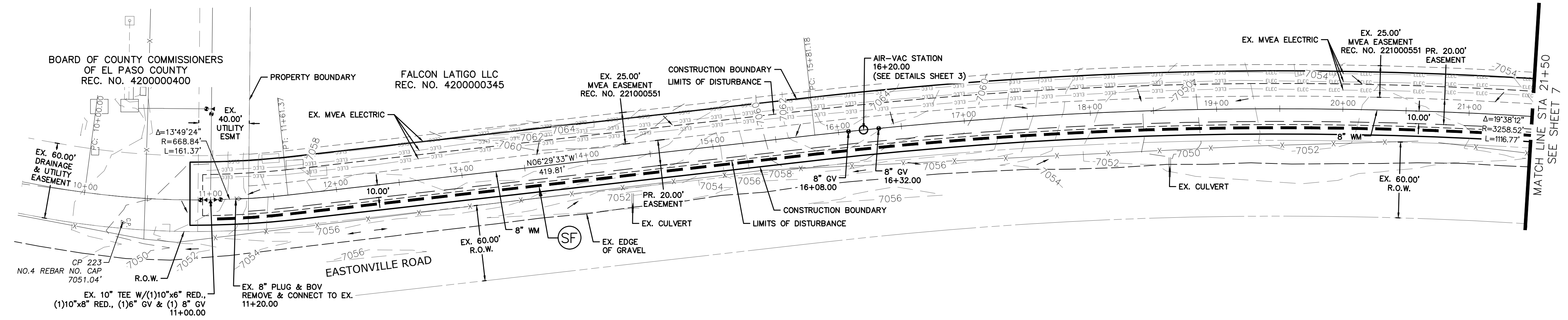
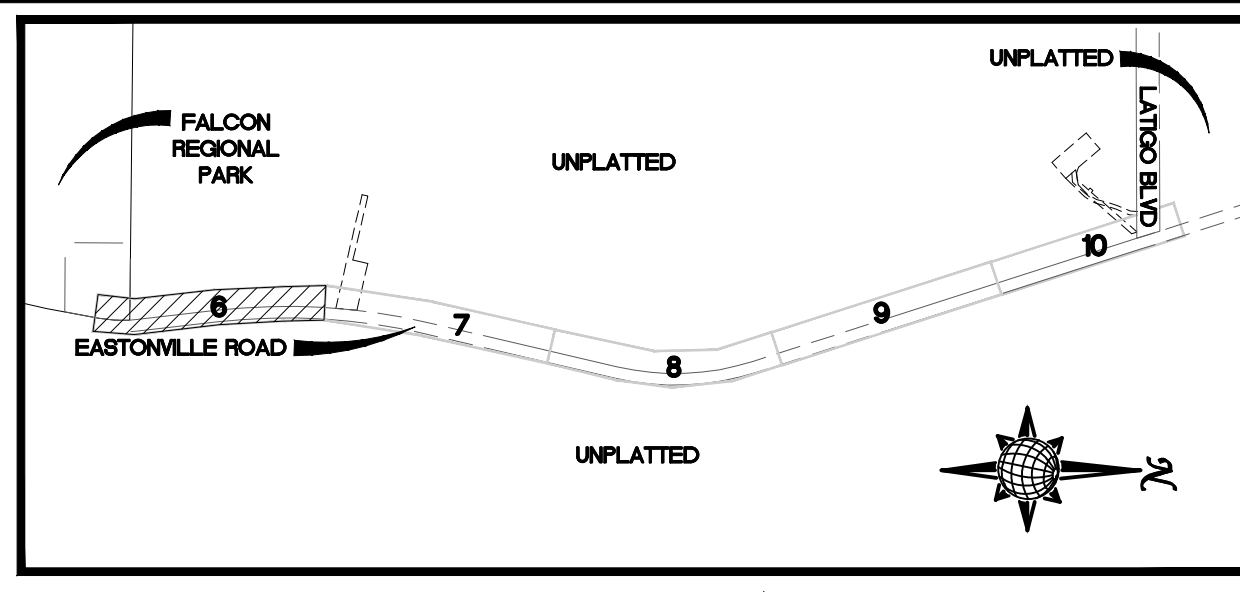
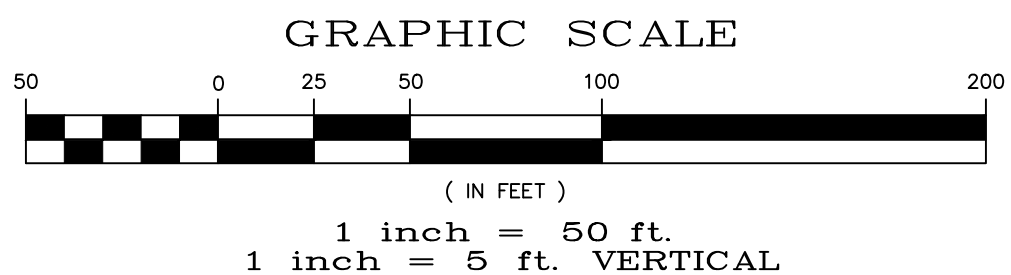
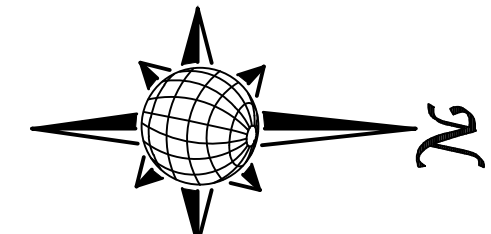


TWO WORKING DAYS BEFORE YOU DIG CALL 811 OR UTILITY NOTIFICATION CENTER OF COLORADO 1-800-922-1987 (SEE COVER FOR LIST OF UTILITY CONTACTS)

1	2	3	4	No.	Revisions	Date	Appr.
<p>TECH CONTRACTORS 11886 STAPLETON DRIVE FALCON, CO 80831 TELEPHONE: 719.495.7444 FAX: 719.495.2457</p>							
<p>MERIDIAN SERVICE METROPOLITAN DISTRICT LATIGO EASTONVILLE WATER PIPELINE DETAIL SHEET</p>							
Drawn by	LOG	Checked by	TAK	Date	FEBRUARY 2023		
Scale	AS SHOWN	5	of	10			

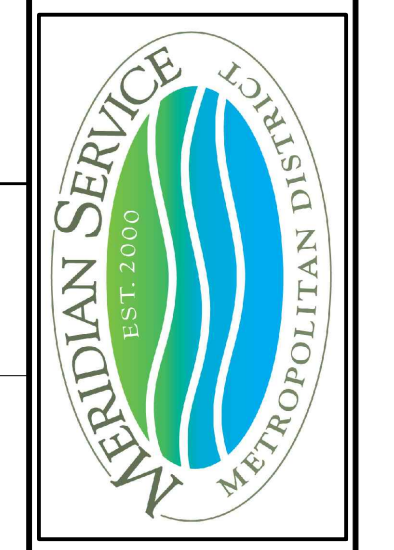


TWO WORKING DAYS
BEFORE YOU DIG
CALL 811
OR
UTILITY NOTIFICATION CENTER OF COLORADO
1-800-922-1987
(SEE COVER FOR LIST OF UTILITY CONTACTS)



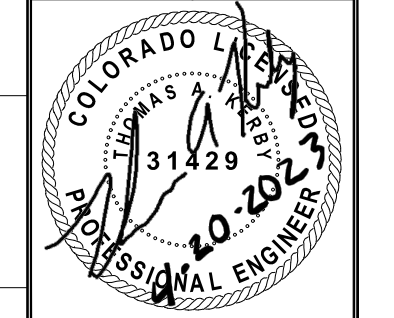
No.	Revisions	Date	Invt.	Appr.	Date
1					
2					
3					
4					

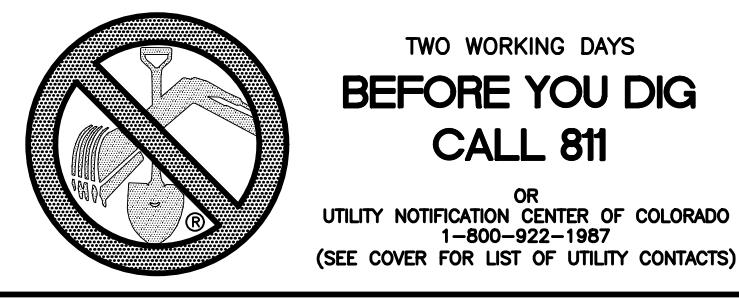
TECH CONTRACTORS
11886 STAPLETON DRIVE
FALCON, CO 80831
TELEPHONE: 719.495.7444
FAX: 719.495.2457



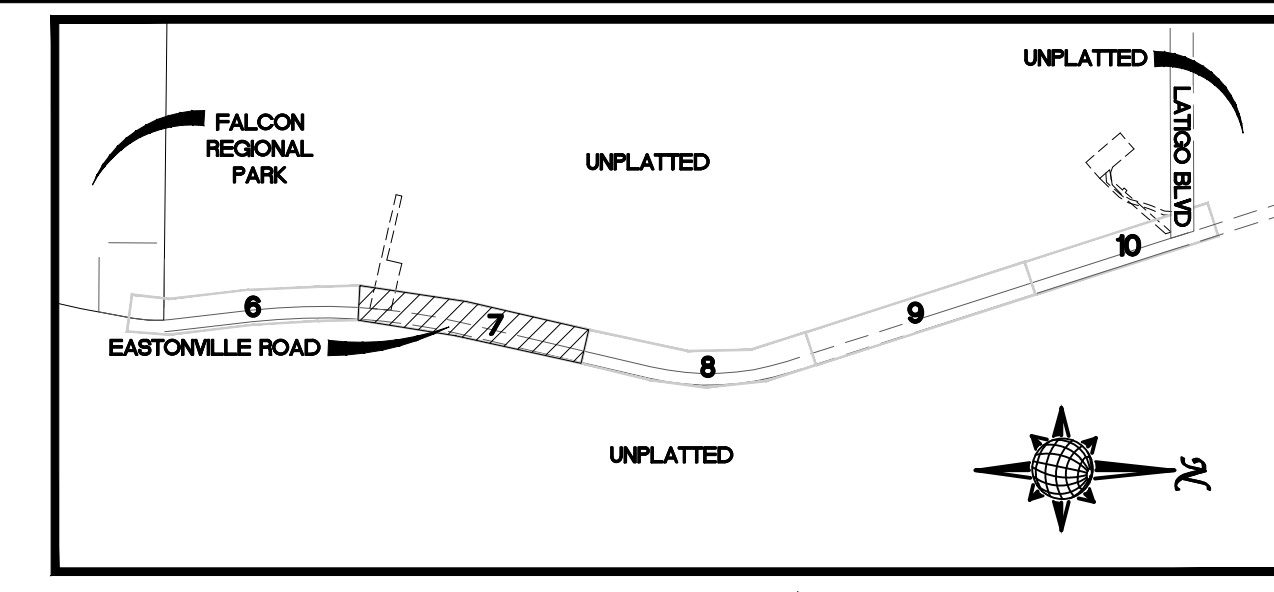
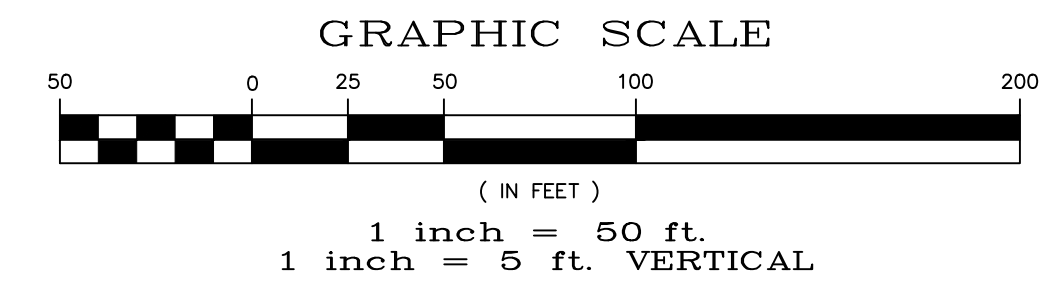
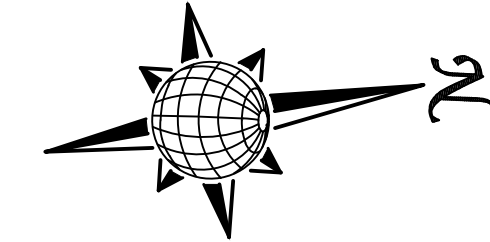
MERIDIAN SERVICE
METROPOLITAN DISTRICT
LATIGO EASTONVILLE WATER
PIPELINE
PLAN AND PROFILE

Scale	AS SHOWN
Drawn by	LOG
Checked by	TAK
Date	FEBRUARY 2023
6 of 10	

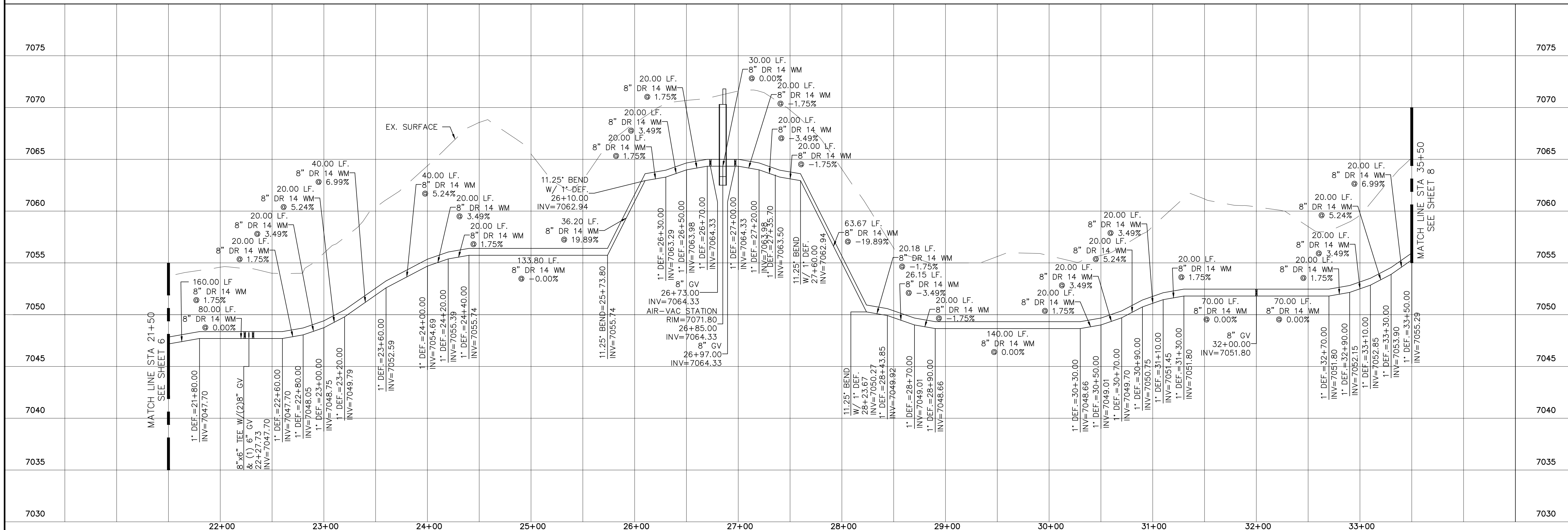
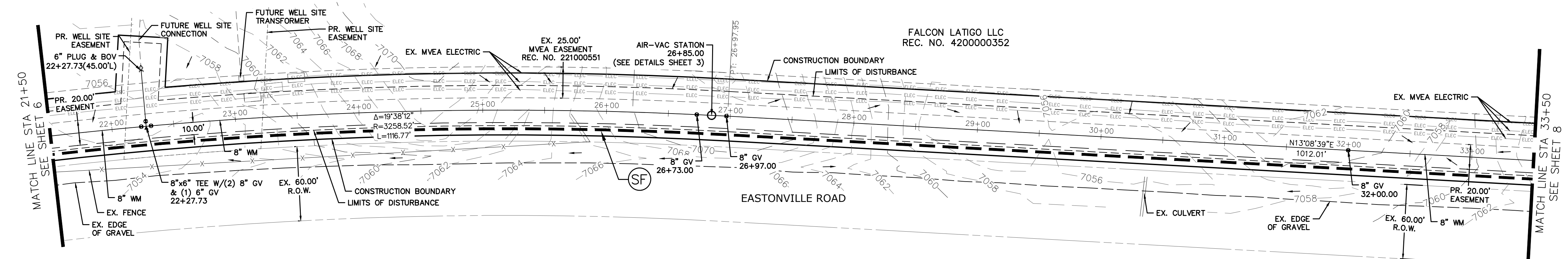




**TWO WORKING DAYS
BEFORE YOU DIG
CALL 811**
OF
UTILITY NOTIFICATION CENTER OF COLORADO
1-800-922-1987
(SEE COVER FOR LIST OF UTILITY CONTACTS)

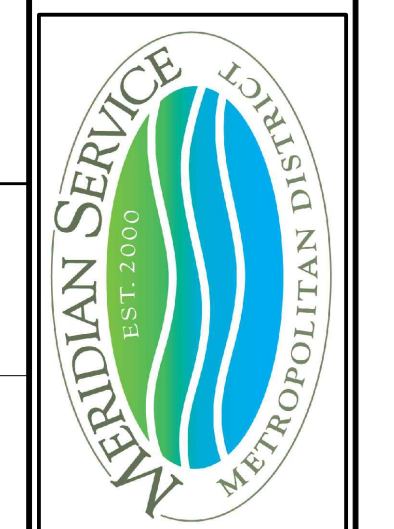


INDEX MAP
N.T.S.



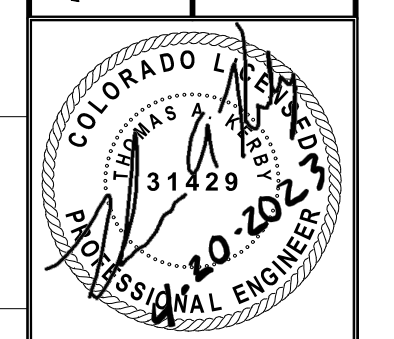
Date	Appr.	Date	Instr.

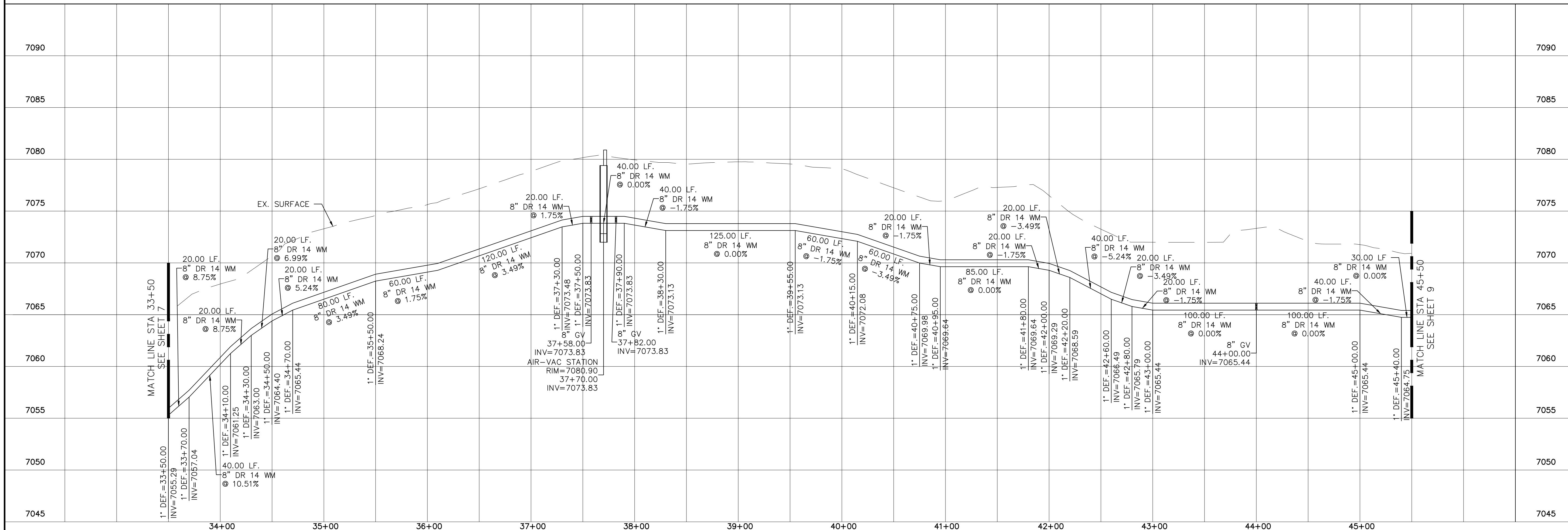
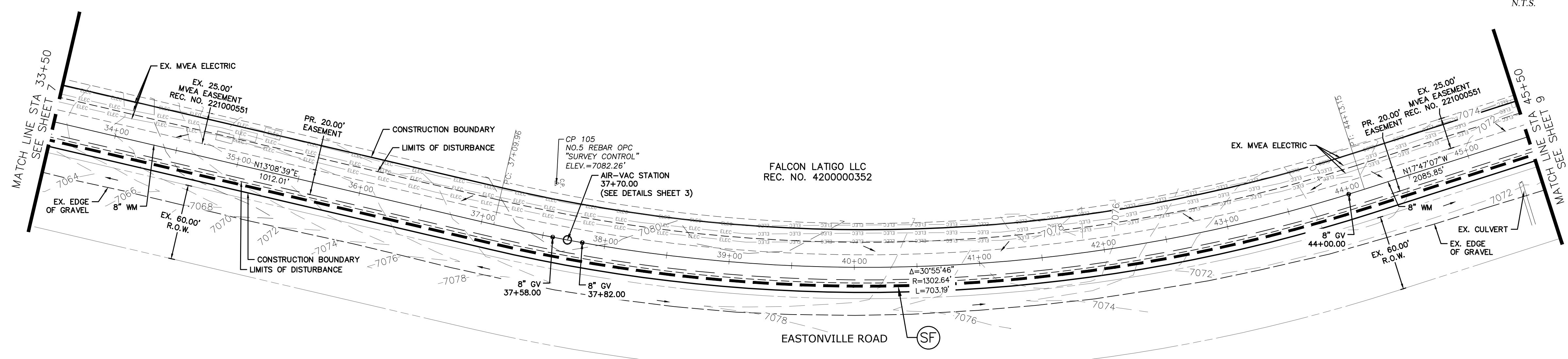
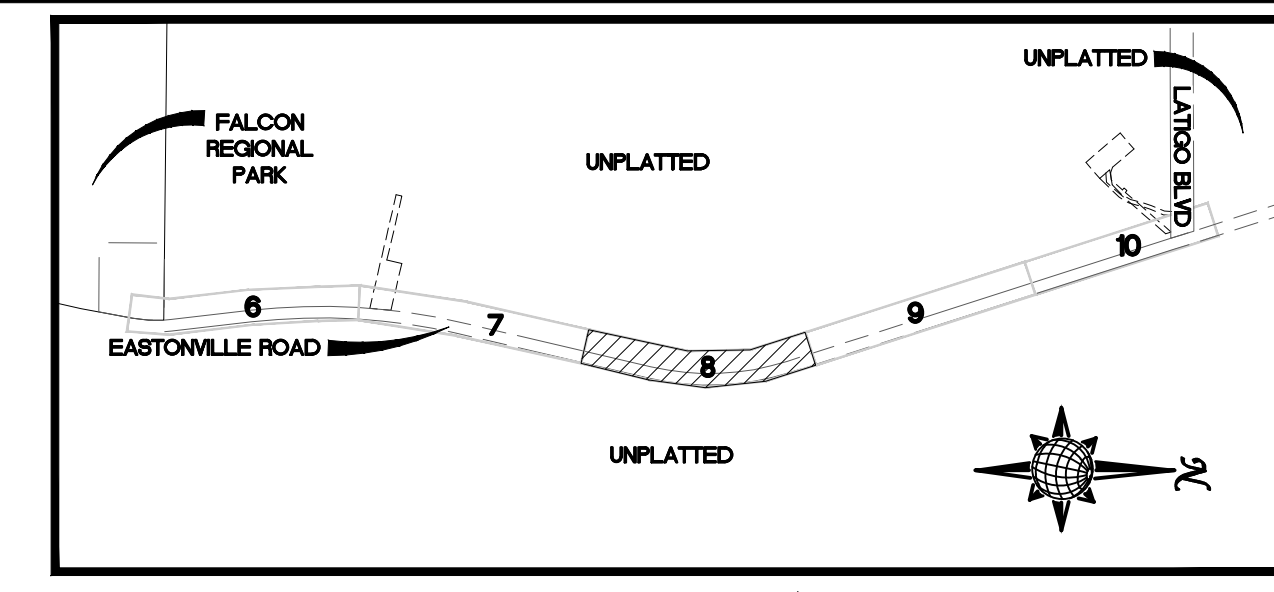
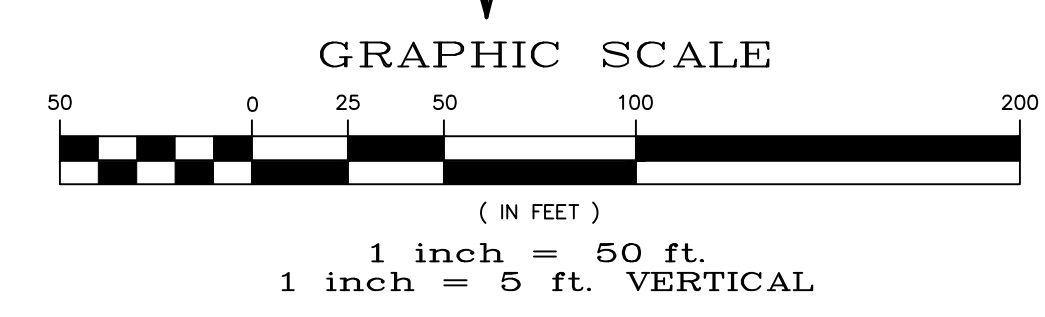
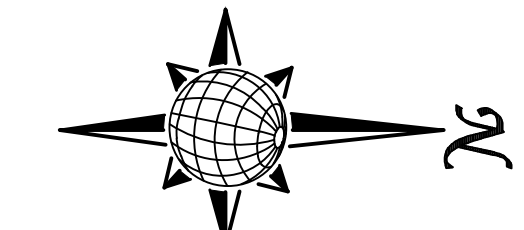
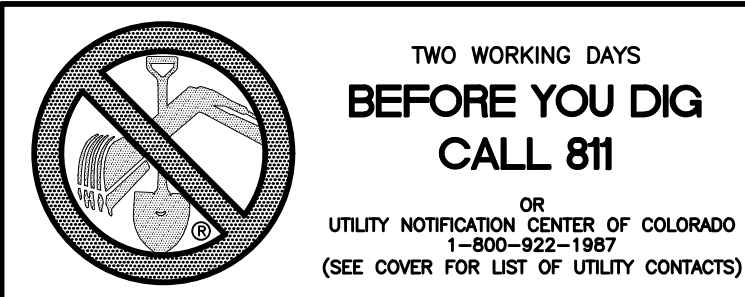
TECH CONTRACTORS
11886 STAPLETON DRIVE
FALCON, CO 80831
TELEPHONE: 719.495.7444
FAX: 719.495.2457



MERIDIAN SERVICE
METROPOLITAN DISTRICT
LATIGO EASTONVILLE WATER
PIPELINE
PLAN AND PROFILE

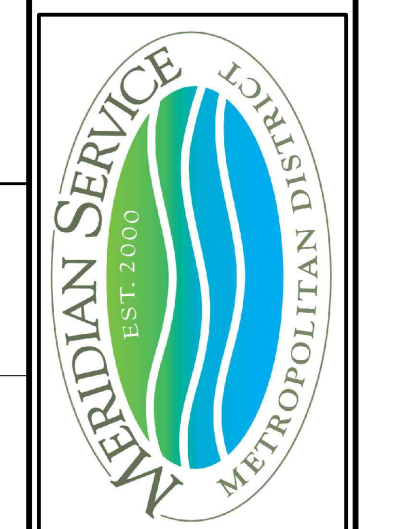
Drawn by
AS SHOWN
Checked by
7 of 10
Date
FEBRUARY 2023





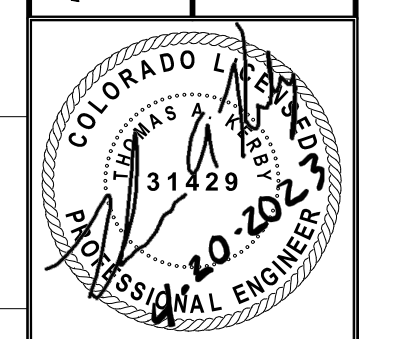
No.	Date	Appr.
1		
2		
3		
4		

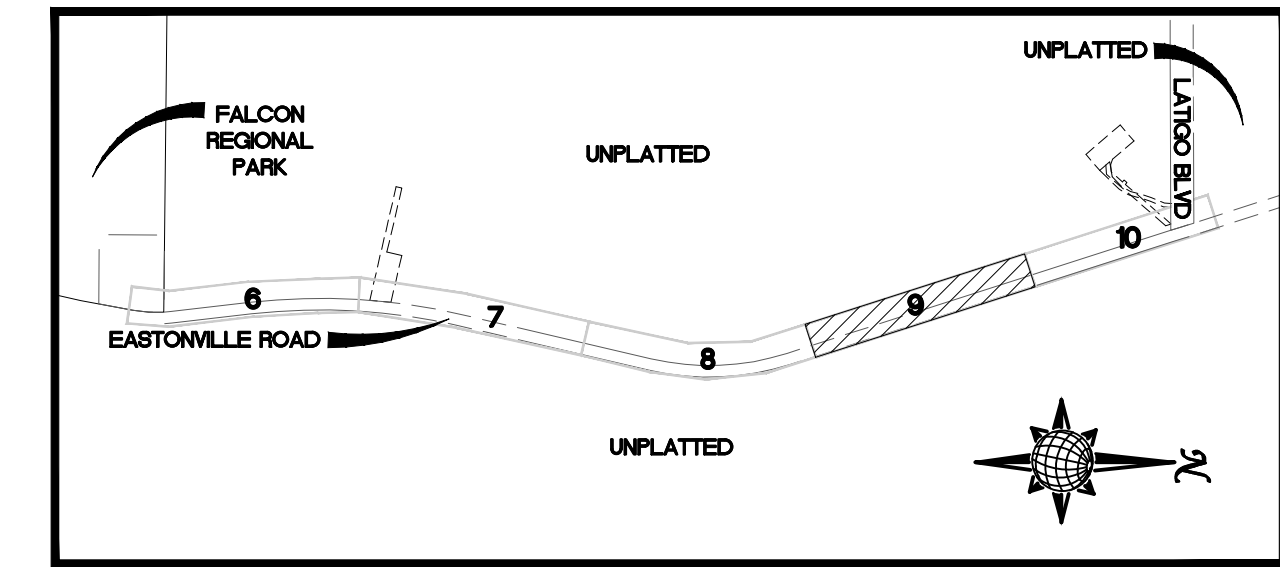
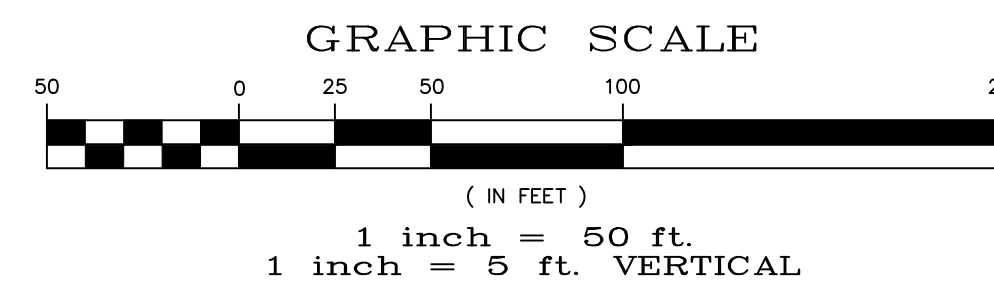
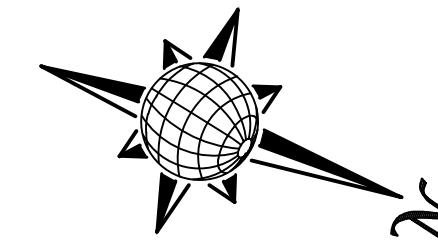
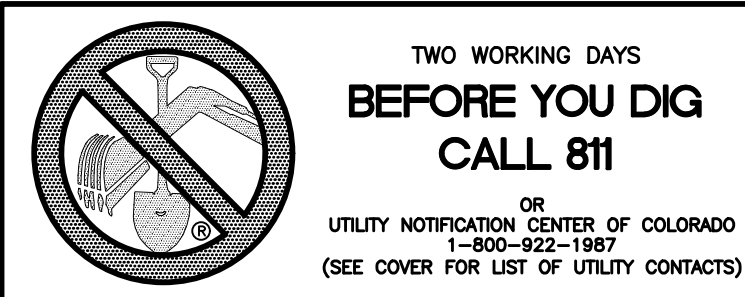
TECH CONTRACTORS
11886 STAPLETON DRIVE
FALCON, CO 80831
TELEPHONE: 719.495.7444
FAX: 719.495.2457



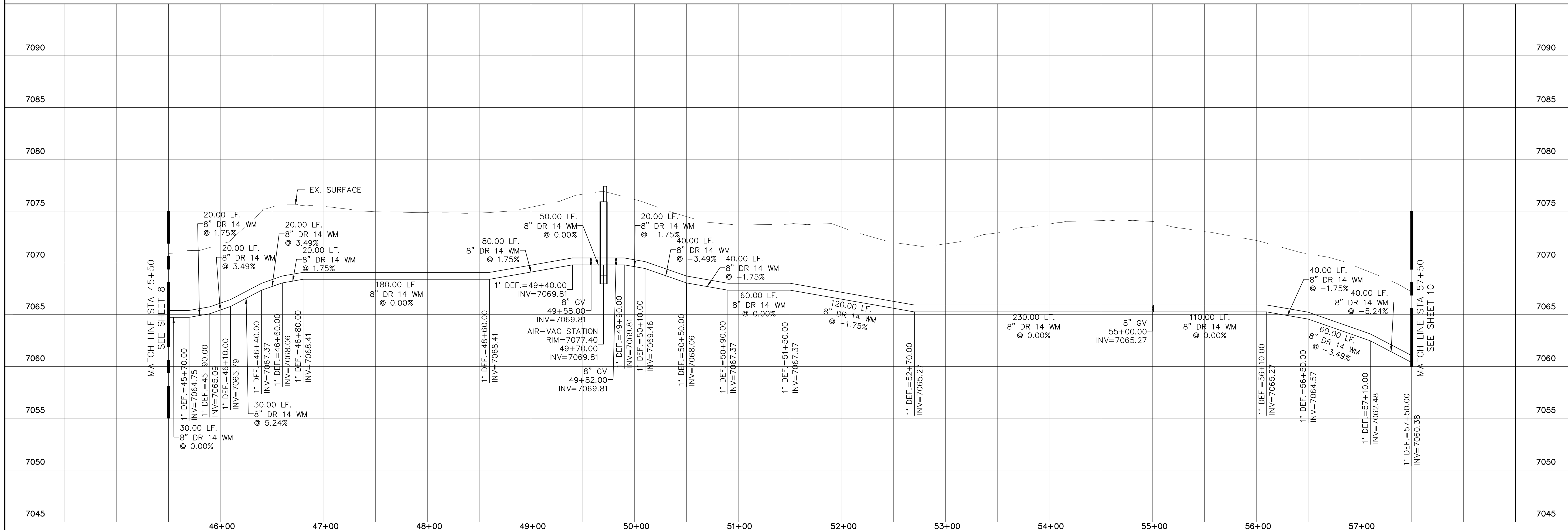
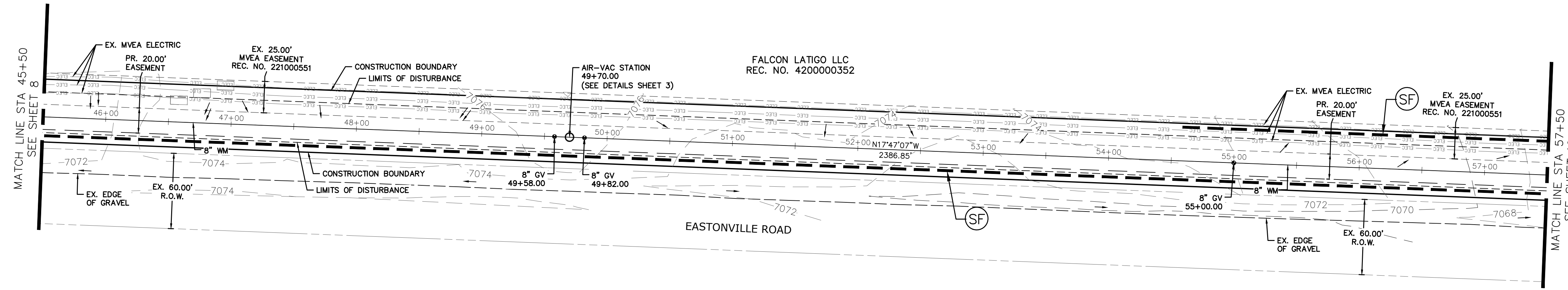
MERIDIAN SERVICE
METROPOLITAN DISTRICT
LATIGO EASTONVILLE WATER
PIPELINE
PLAN AND PROFILE

Scale AS SHOWN
8 of 10
Date FEBRUARY 2023

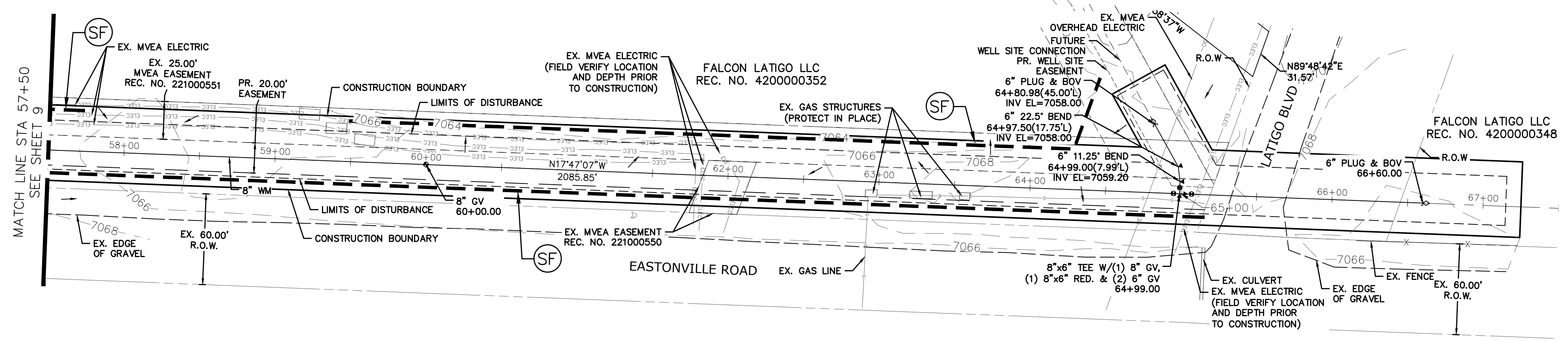
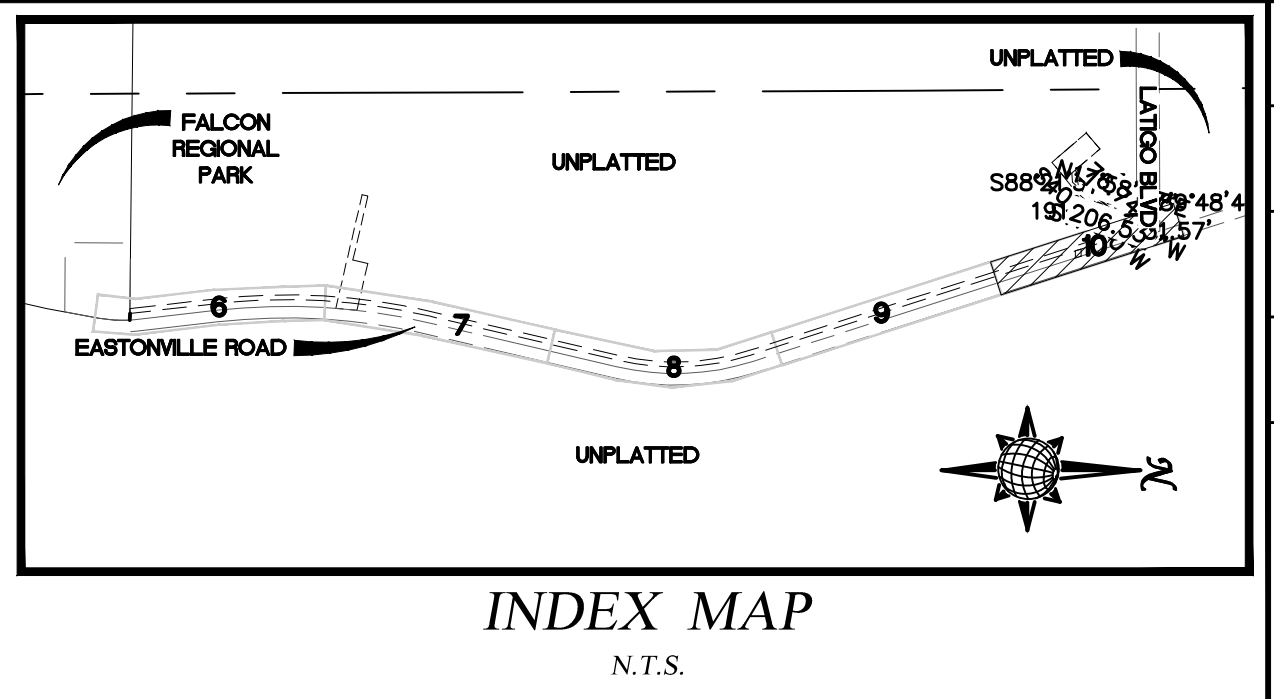
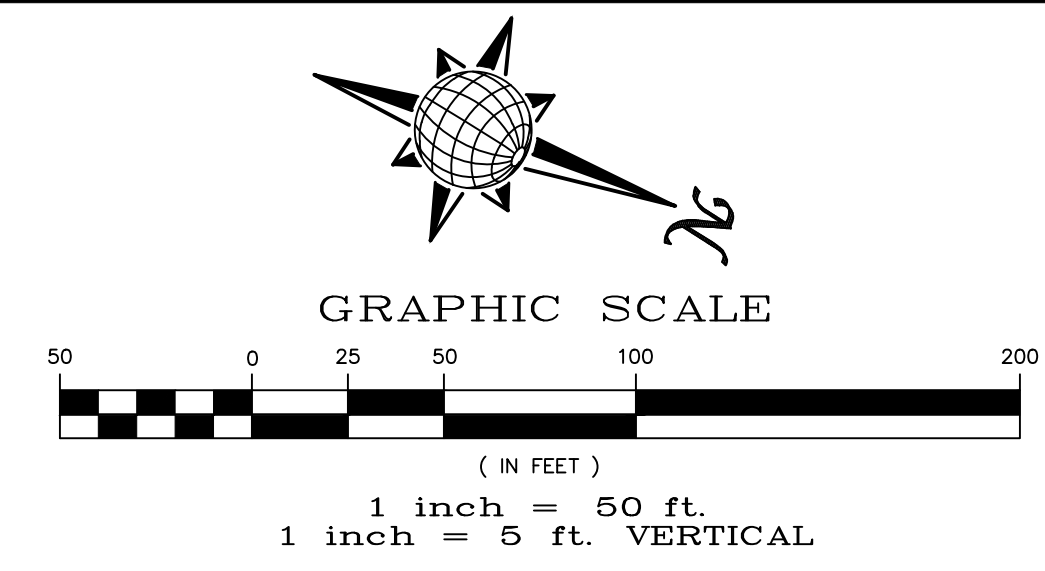




INDEX MAP
N.T.S.



1	2	3	4	No.	Revisions
<p>TECH CONTRACTORS 11886 STAPLETON DRIVE FALCON, CO 80831 TELEPHONE: 719.495.7444 FAX: 719.495.2457</p>					
<p>MERIDIAN SERVICE METROPOLITAN DISTRICT LATIGO EASTONVILLE WATER PIPELINE PLAN AND PROFILE</p>					
Scale	AS SHOWN	Drawn by	LOG	Checked by	TAK
				Date	FEBRUARY 2023
		9	of	10	



Station	Profile Description	Station
7080		7080
7075		7075
7070		7070
7065		7065
7060	20.00 LF. 8" DR 14 WM @ -1.75% 20.00 LF. 8" DR 14 WM @ -1.75% 160.00 LF. 8" DR 14 WM @ 0.00% 10.00 LF. 8" DR 14 WM @ 0.00% 40.00 LF. 8" DR 14 WM @ -1.75% 50.00 LF. 8" DR 14 WM @ 0.00% 60.00 LF. 8" DR 14 WM @ -1.75% 40.00 LF. 8" DR 14 WM @ 0.00% 120.00 LF. 8" DR 14 WM @ 1.75% 229.00 LF. 8" DR 14 WM @ 0.00% 153.00 LF. 6" DR 14 WM @ 0.00%	7060
7055	1" DEF.=57+50.00 INV=7060.38 1" DEF.=57+70.00 INV=7059.68 1" DEF.=57+90.00 INV=7059.33 1" DEF.=59+50.00 INV=7059.33 1" DEF.=59+90.00 INV=7058.64 1" DEF.=60+50.00 INV=7058.64 1" DEF.=61+10.00 INV=7057.59 1" DEF.=61+50.00 INV=7057.59 1" DEF.=62+70.00 INV=7059.68 8"x6" TEE W/(1) 8" GV (1) 8"x6" RED. & (2) 6" GV 64+99.00 INV=7059.68 6" PLUG & BOV 66+60.00 INV=7058.77	7055
7050		7050
7045		7045
7040		7040
7035		7035

No.	Revisions	Date	Invt.	Appr.	Date
1					
2					
3					
4					

TECH CONTRACTORS
 11886 STAPLETON DRIVE
 FALCON, CO 80831
 TELEPHONE: 719.495.7444
 FAX: 719.495.2457



MERIDIAN SERVICE
 METROPOLITAN DISTRICT
 LATIGO EASTONVILLE WATER
 PIPELINE
 PLAN AND PROFILE

Drawn by LOG
 Checked by TAK
 Date FEBRUARY 2023

Scale AS SHOWN
 10 of 10

