

**MS-06 CHANNEL IMPROVEMENTS - TYPICAL SECTION**

SCALE: 1"=10'

TYPICAL SECTION FOR CHANNEL EAST OF SAN ISIDRO TRAIL

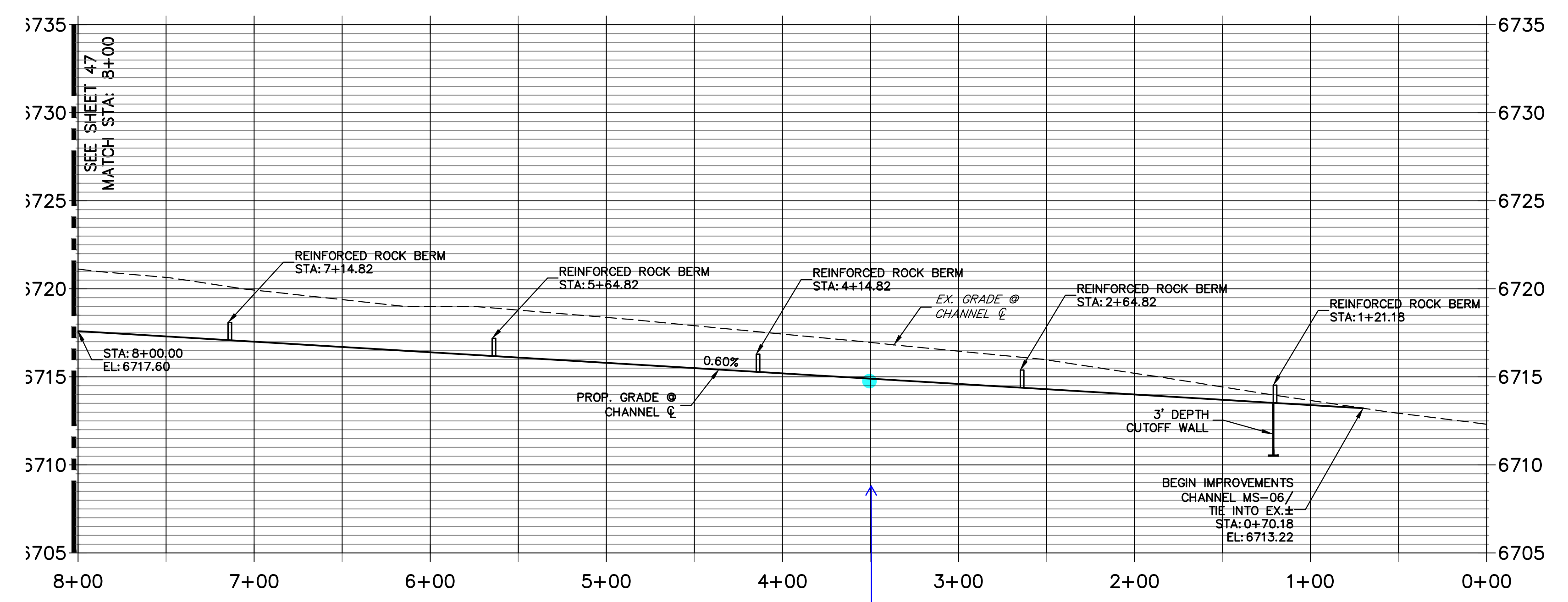
CHANNEL SEED MIX: EROSION CONTROL BLANKET WITH PAWNEE BUTTES SEED INC. - "LOW GROW NATIVE MIX"

-IDAHO FESCUE  
-SANDBERG BLUEGRASS  
-ROCKY MOUNTAIN FESCUE  
-BIG BLUEGRASS

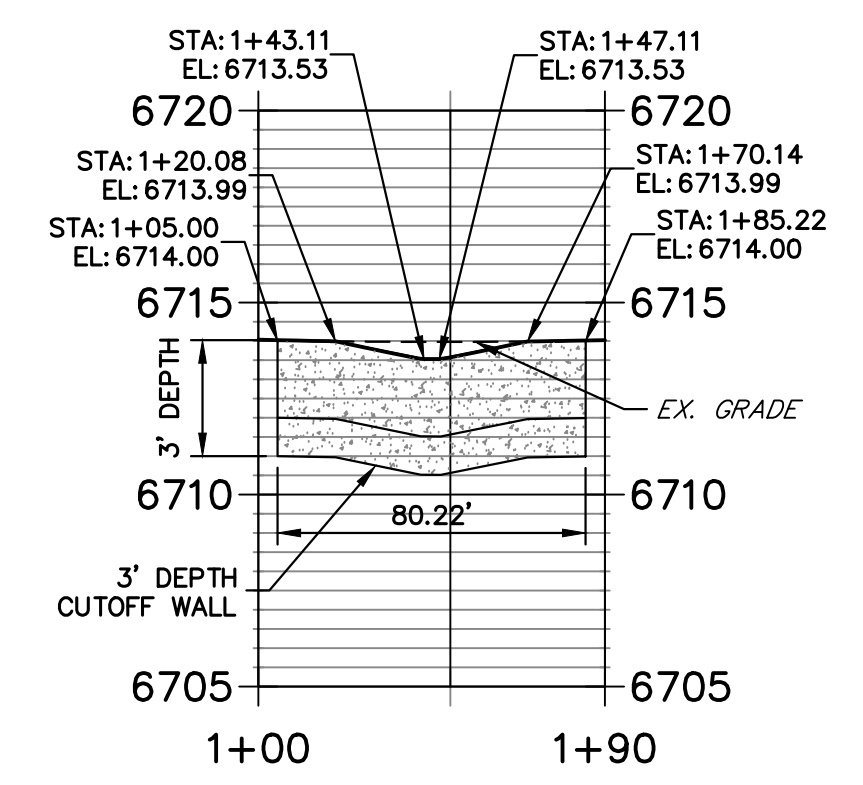
**NOTES**

- TURF REINFORCING MATS (TRM) PER URBAN STORM DRAINAGE CRITERIA MANUAL (USDGM) VOLUME 3 CRITERIA FOR ROLLED EROSION CONTROL PRODUCTS (RECP), EC-6, TABLE RECP-2.
- DETAILS FOR THE ECB & TRM MEASURES CAN BE FOUND ON SHEET 64

**MS-06 PROFILE  
STA 0+00.00 TO 8+00.00**



**CUTOFF WALL 3 PROFILE  
STA 1+00.00 TO 1+90.22**



**JR Response: Cutoff walls have been added to this section along the full graded width.**

Consider adding a cutoff wall at the full graded width (see FDR sheet)

811 Know what's below. Call before you dig.

HORIZONTAL ORIGINAL SCALE: 1" = 50'

VERTICAL ORIGINAL SCALE: 1" = 5'

ENGINEER'S STATEMENT

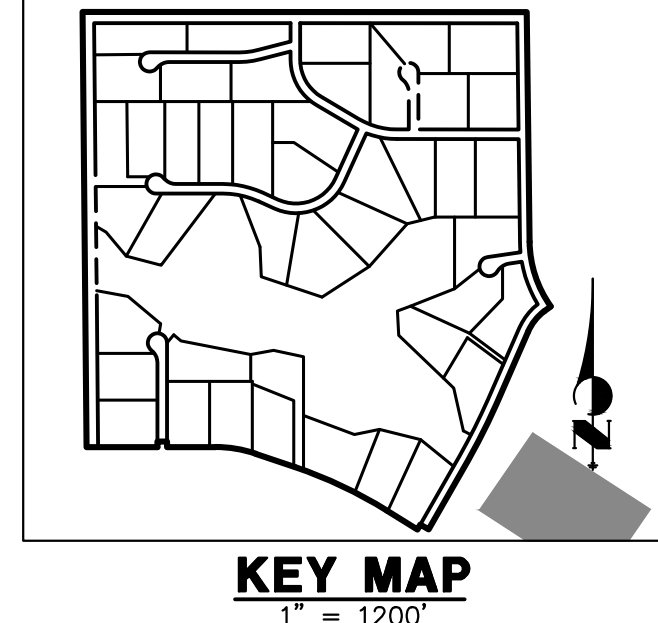
PREPARED UNDER MY DIRECT SUPERVISION AND ON BEHALF OF JR ENGINEERING

Bryan T. Law, P.E.

DATE: 4/22/24

25043

PROFESSIONAL ENGINEER



UNTIL SUCH TIME AS THESE DRAWINGS ARE APPROVED BY THE APPROPRIATE REVIEWING AGENCIES, JR ENGINEERING APPROVES THEIR USE AS DESIGNATED BY WRITTEN AUTHORIZATION.

PREPARED FOR  
**ROI PROPERTY GROUP, LLC**  
2495 RIGDON STREET  
NAPA, CALIFORNIA  
(707) 365-6891  
BRADY WILLIAMS

**J.R. ENGINEERING**  
A Westman Company  
Central 300-740-0888 • Colorado Springs 719-588-2583  
Fort Collins 970-491-9888 • www.jrengineering.com

SADDLEHORN RANCH - FILING 3 CHANNEL IMPROVEMENT PLANS

DESIGNED BY: AAM  
DRAWN BY: AAM  
CHECKED BY:

DATE: 4/17/24

DATE: 4/22/24

25043

PROFESSIONAL ENGINEER

SHEET 48 OF 64  
JOB NO. 25142.05