



STORMWATER MANAGEMENT PLAN (SWMP)
Legacy Church – Green Mountain Falls

FOR

Project:
Legacy Church
Green Mountain Falls, El Paso County, Colorado

Prepared For:
Pearson Ministries International, L.P.
P.O. Box 340
Woodland Park, CO 80866
Lauren Leeper
(817) 992-2657

Prepared By:
Kimley-Horn and Associates, Inc.
2 North Nevada Avenue, Suite 300
Colorado Springs, Colorado 80903
Eric Gunderson, P.E.
(719) 453-0180

Add PCD File No. PPR1933

July 19, 2019

OWNER’S CERTIFICATION4

ENGINEER’S CERTIFICATION.....5

PERMITTEE / OPERATOR RESPONSIBILITIES6

PERMITTEE CERTIFICATION.....7

OPERATOR CERTIFICATION.....7

SUBCONTRACTOR CERTIFICATION7

INTRODUCTION8

 PERMIT COVERAGE AND APPLICATIONS.....8

 DEFINITIONS8

SITE DESCRIPTION9

 GENERAL PROJECT DESCRIPTION.....9

 PROJECT CONTACTS9

 PROJECT LOCATION10

 VICINITY MAP10

SITE CONDITIONS11

 VEGETATION11

 DRAINAGE.....11

 CHARACTERISTICS11

 SOILS.....11

AREAS & VOLUMES.....11

EROSION & SEDIMENT CONTROL MEASURES.....11

TIMING & SCHEDULE13

STORMWATER MANAGEMENT CONTROLS14

 SWMP ADMINISTRATOR.....14

 SITE SPECIFIC POLLUTION SOURCES.....14

 IDENTIFICATION OF POLLUTANT SOURCES.....14

 BEST MANAGEMENT PRACTICES FOR STORMWATER POLLUTION PREVENTION.....16

FINAL STABILIZATION AND LONG TERM STORMWATER MANAGEMENT18

INSPECTION AND MAINTENANCE19

TERM AND CONDITIONS OF THE CDPS GENERAL PERMIT19

 GENERAL LIMITATIONS.....19

 PROHIBITION OF NON-STORMWATER DISCHARGES.....20

 SWMP RETENTION REQUIREMENTS20

 SWMP REVIEW / CHANGES20

 RESPONSIVE SWMP CHANGES21

CONCLUSIONS.....21

REFERENCES21

- APPENDIX A – EARTHWORK CALCULATIONS**
- APPENDIX B – SOILS INFORMATION**
- APPENDIX C – SPILL PREVENTION, CONTROL AND COUNTERMEASURE PLAN**
- APPENDIX D – CDPS PERMIT APPLICATION**
- APPENDIX E – SAMPLE FORMS**
- APPENDIX F – FLOOD RATE INSURANCE MAP**
- APPENDIX G – TEMPORARY BMP DETAILS**
- APPENDIX H – GEC PLANS**

OWNER'S CERTIFICATION

"The owner will comply with the requirements of the Erosion and Stormwater Quality Control Plan including temporary BMP inspection requirements and final stabilization requirements. I acknowledge the responsibility to determine whether the construction activities on these plans require Colorado Discharge Permit System (CDPS) permitting for Stormwater discharges associated with Construction Activity."

Lauren Leeper
Pearsons Ministries International L.P.

Date _____

ENGINEER'S CERTIFICATION

"This Erosion and Stormwater Quality Control Plan was prepared under my direction and supervision and is correct to the best of my knowledge and belief. If such work is performed in accordance with the grading and erosion control plan, the work will not become a hazard to life and limb, endanger property, or adversely affect the safety, use, or stability of a public way, drainage channel, or other property."

Eric Gunderson, P.E.
Colorado Registered Professional Engineer # 49487

PERMITTEE / OPERATOR RESPONSIBILITIES

This Stormwater Management Plan (SWMP) is prepared for Pearsons Ministries International, L.P. (the Owner) to fulfill the Colorado Discharge Permit System (CDPS) requirements for El Paso County and the State of Colorado Department of Public Health and Environment (CDPHE) for the Legacy Church project (the Project). This narrative, in conjunction with the Stormwater Management Plan, examines measures taken onsite to improve stormwater quality leaving the site, and also addresses important erosion control measures implemented prior to and during construction. A general overview of the procedures outlined in the SWMP which the Operator (the Contractor) shall follow is provided below for reference.

	Responsibility <u>Operator</u>
1. Submit and Receive the Colorado Discharge Permit System (CDPS) General Permit through CDPHE	<input type="checkbox"/>
2. Complete the Permittee / Operator SWMP Certifications provided within the SWMP Narrative.	<input type="checkbox"/>
3. Complete the Operator / SWMP Administrator Contact Information identified in the SWMP Narrative.	<input type="checkbox"/>
4. Post the Site in accordance with the requirements identified on the SWMP Site Map included in the appendices of this report.	<input type="checkbox"/>
5. Commence BMP installation and construction in accordance with the Phased BMP Implementation.	<input type="checkbox"/>
6. Complete Land Disturbance / BMP / Site Stabilization Log, a copy of which is included in the appendices of this report.	<input type="checkbox"/>
7. Complete Inspections in accordance with the SWMP Inspection Schedule and Procedures outlined within the SWMP Narrative.	<input type="checkbox"/>
8. Complete field maintenance or field modifications to Stormwater Management Practices based upon the results of the Inspection.	<input type="checkbox"/>
9. Maintain current records of the SWMP Inspections in accordance with the Inspection Record Keeping identified in the SWMP Narrative.	<input type="checkbox"/>
10. Maintain current records of the Land Disturbance / BMP / Site Stabilization Log, a copy of which is included in the appendices of this report.	<input type="checkbox"/>
11. Maintain current records of the BMP Corrective Action Log, a copy of which is included in the appendices of this report.	<input type="checkbox"/>
12. Maintain current records of the SWMP Amendment Log, a copy which is included in the appendices of this report.	<input type="checkbox"/>
13. Achieve Final Stabilization in accordance with the Final Stabilization practices outlined within the SWMP Narrative.	<input type="checkbox"/>
14. File the County Construction Stormwater Inactivation Notice.	<input type="checkbox"/>

This summary is provided for Permittee / Operator convenience only and shall not be considered all-inclusive with respect to stormwater management responsibilities. The Permittee / Operator shall

familiarize themselves with the County and CDPS General Permit and SWMP and implement stormwater management strategies based upon the recommendations identified herein and varying site conditions.

PERMITTEE CERTIFICATION

I certify under penalty of law that this document and all attachments were prepared under my direction or supervision in accordance with a system designed to assure that qualified personnel properly gather and evaluate the information submitted. Based on my inquiry of the person or persons who manage the system, or those persons directly responsible for gathering the information, the information submitted is to the best of my knowledge and belief, true, accurate and complete. I am aware that there are significant penalties for submitting false information, including the possibility of fine and imprisonment for knowing violations.

Owner's Authorized Agent:

Date:

OPERATOR CERTIFICATION

I certify under penalty of law that a complete Stormwater Management Plan, has been prepared for my activity. Based on my inquiry of the person or persons who manage the system, or those persons directly responsible for gathering the information, the Stormwater Management Plan is, to the best of my knowledge and belief, true, accurate, and complete. I am aware that there are significant penalties for falsely certifying the completion of said SWMP, including the possibility of fine and imprisonment for knowing violations.

Operator's Authorized Agent:

Date:

SUBCONTRACTOR CERTIFICATION

I certify under penalty of law that a complete Stormwater Management Plan, has been prepared for my activity. Based on my inquiry of the person or persons who manage the system, or those persons directly responsible for gathering the information, the Stormwater Management Plan is, to the best of my knowledge and belief, true, accurate, and complete. I am aware that there are significant penalties for falsely certifying the completion of said SWMP, including the possibility of fine and imprisonment for knowing violations.

Subcontractor's Authorized Agent:

Date:

Note: Additional Subcontractor Certifications shall be completed as necessary.

INTRODUCTION

The purpose of this report is to outline the SWMP plan for the Legacy Church facility (herein the “Project”) located at 10460 West Highway 24, Green Mountain Falls, CO 80819, County of El Paso (the “County), Colorado (herein the “Site”).

PERMIT COVERAGE AND APPLICATIONS

Based upon a Site Disturbance Area greater than 1 acre, this Site requires the approval of this Stormwater Management Plan and a Grading and Erosion Control Plan with the County and the issuance of a Colorado Discharge Permit System (CDPS) - Stormwater Discharge Associated with Construction Activities Application (the “General Permit”) through the Colorado Department of Public Health and Environment (CDPHE).

A copy of the CDPS General Permit is included in the Appendices of this report.

DEFINITIONS

CDPHE – Colorado Department of Public Health and Environment

Operator – The group or individual that is responsible for day-to-day operations on the project site. The Operator will be assigned the SWMP Administrator role and these terms are used interchangeably in the SWMP.

SWMP – Construction Activities Stormwater Management Plan

SWMP Administrator – The specific individual(s), position or title that is responsible for developing, implementing, maintaining and revising the SWMP. The activities and responsibilities of the Administrator shall address all aspects of the facility’s SWMP. The Operator will be assigned the SWMP Administrator role and these terms are used interchangeably in the SWMP.

Permittee – The specific individual(s), position or title that is legally responsible for compliance with the permit. The Permittee is authorized to sign and certify the permit application.

SITE DESCRIPTION

GENERAL PROJECT DESCRIPTION

The Project is located within Township 13 South, Range 68 West of the Sixth Principal Meridian, County of El Paso, State of Colorado (see Vicinity Map). The Site is bounded primarily by wooded undeveloped land with a few small cabins and residences on all sides. The Site is currently developed and consists of an existing 20,000 square foot building with gravel private driveway, gravel parking areas and an asphalt drop off area adjacent to the front entryway into the building. The Site generally slopes from northeast to southwest.

The Project involves paving the existing gravel private driveway and gravel parking areas adjacent to the existing building with asphalt pavement. The existing building will remain and additions to the building are not proposed. The total disturbed area will be 2.5 acres. All disturbed areas will be revegetated consistent with the existing conditions on-site.

PROJECT CONTACTS

SWMP Preparer

Company: Kimley-Horn and Associates, Inc.
Contact: Eric Gunderson, P.E.
Address: 2 North Nevada Avenue, Suite 300
Colorado Springs, CO 80903
Phone: 719.453.0180
Email: eric.gunderson@kimley-horn.com

SWMP Administrator

Company: Pearsons Ministries International, L.P.

Contact: Lauren Leeper

Address: PO Box 340
Woodland Park, CO 80866

Phone: (817) 992-2657

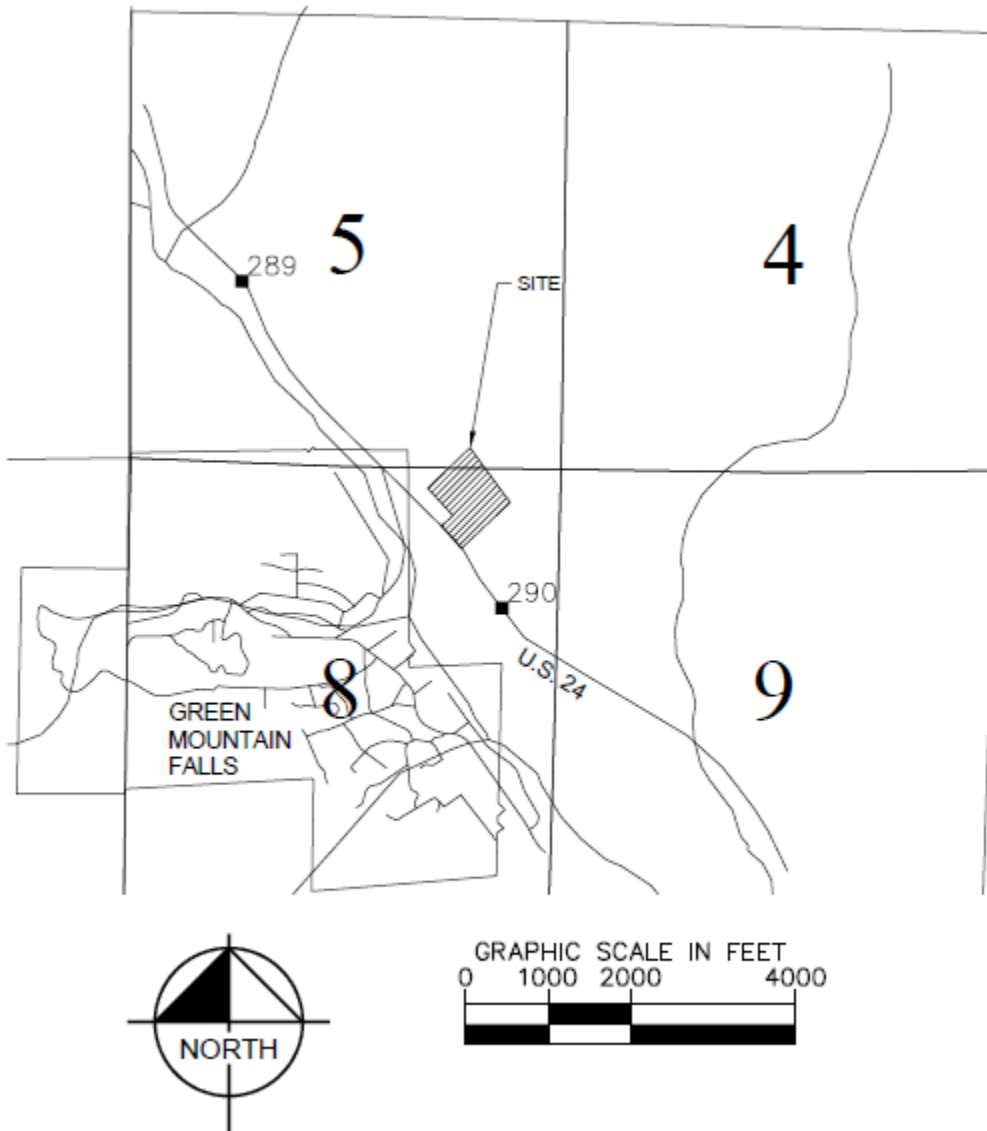
Email: lauren@pearsonsmministries.com

PROJECT LOCATION

The Project is located within Township 13 South, Range 68 West of the Sixth Principal Meridian, County of El Paso, State of Colorado (see Vicinity Map). The Site is bounded primarily by wooded undeveloped land with a few small cabins and residences on all sides. The Site is currently developed and consists of an existing 20,000 square foot building with gravel private driveway, gravel parking areas and an asphalt drop off area adjacent to the front entryway into the building.

VICINITY MAP

A vicinity map is provided below for reference:



SITE CONDITIONS

VEGETATION

The existing site is currently developed with onsite vegetation consisting of native grasses, brush, and trees. The site is 0% void of vegetation except for the gravel driveway and parking areas.

DRAINAGE

CHARACTERISTICS

The Site is located within El Paso County's Upper Fountain basin and consists of slopes ranging from 2% to 4:1.

Developed runoff from the Project will generally be directed by means of curb and gutter, drainage swales and proposed storm sewer pipes towards two permanent extended detention basins ("EDBs") located along the western boundary of the Site. The EDBs will have permanent concrete outlet structures that will release the water quality capture volume ("WQCV") and 100 year detention volume at historic rates to the existing storm outfall on-site.

On-site disturbance associated with the project is limited to paving of existing gravel areas and construction of the two EDBs.

Flood insurance rate map (FIRM) number 08041C0459G effective date December 7, 2018, indicates this parcel of land is in Zone X (area determined to be out of the 100-year and 500-year flood plain).

SOILS

NRCS soil data is available for this site and it has been determined that soils onsite are generally USCS Soil Group D. The site does not currently provide on-site water quality or detention for the project area. Soil Group D has a high runoff potential. The proposed grading for the site will match historic grading and drainage patterns. Significant impacts upon discharge are not anticipated.

Per drainage report this should be zone D (area of undetermined flood hazard)

AREAS & VOLUMES

The gross site area is approximately 3.7 acres. The total anticipated project disturbance area is 2.5 acres.

Please provide the total site area.

The earthwork calculations for the site are included in Appendix A of this report.

include paving of gravel roads

EROSION & SEDIMENT CONTROL MEASURES

Construction operations including grading, hauling of soil, drainage, gravel roads, and final stabilization shall implement erosion and sediment control measures as described below and in the Timing section of this report. Additional measures shall be implemented as appropriate.

Erosion and sediment control measures shall be implemented during construction of the Project. Grading and earthwork activities will be performed within the limits of construction (LOC). A stabilized staging areas (SSA) shall be installed for construction staging and material storage activities. Temporary Soil Stockpiles (SP) shall be protected from stormwater using Silt Fencing (SF) or other perimeter control to inhibit soil transport as well as at material storage areas. Culvert Inlet protection (CIP) will be implemented to ensure that sediment that makes it into the ditches not enter the storm sewer system. Temporary Drainage Swale/Dikes (DS) will be used to help convey site runoff to the

sediment basins. Types of Drainage Swales/Dikes to be used will be determined by the SWMP administrator; callouts on plans are provided for general locations only. A Silt Fence (SF) and Construction Fence (CF) shall be used for perimeter control. Concrete Washout (CWA) shall be used. Permanent seeding (PS) shall be utilized after completion of final stabilization measures or final earthwork disturbances. In addition to those measures noted above, Perimeter Control and Portable Toilets will also be utilized on site. Portable toilets shall be located on flat surfaces away from drainage paths, tie-downed or stake-downed, emptied regularly, and where possible secondary containment pans shall be provided under the portable toilets. Please see the Grading and Erosion Control Plans for locations and sizing of recommended erosion control measures.

All persons engaged in earth disturbances shall design, implement, and maintain acceptable soil erosion and sedimentation control measures, in conformance with the erosion and sediment control technical standards adopted by the County. All temporary erosion and sediment control facilities, and all permanent facilities intended to control erosion of any earth disturbance operation shall be installed before any earth disturbance operations take place. Any earth disturbances shall be conducted in such a manner to effectively control runoff volumes, reduce accelerated soil erosion, sediment movement, and deposition off-site. All earth disturbances shall be completed in such a manner so that the total amount of soil exposed at any given time shall be minimized, and the exposed area of any disturbed land shall be limited to the shortest possible period of time. Temporary soil erosion control facilities shall be removed and earth disturbance areas graded and stabilized with permanent soil erosion control measures pursuant to approved plans and specifications.

Permanent soil erosion control measures for all slopes, channels, ditches, or any disturbed land area shall be completed within fourteen (14) calendar days after final grading or the final earth disturbances have been completed. When it is not possible to permanently stabilize a disturbed area after an earth disturbance has been completed or where significant earth disturbance activity ceases, temporary soil erosion control measures shall be implemented within fourteen (14) calendar days. All temporary soil erosion control measures shall be maintained until permanent soil erosion measures are implemented.

Paved and impervious surfaces which are adjacent to construction sites must be swept on a daily basis and as needed during the day when sediment and other materials are tracked or discharged onto them. Either sweeping by hand or use of street sweepers is acceptable. Street sweepers using water while sweeping is preferred in order to minimize dust. Flushing off paved surfaces with water is prohibited.

All construction site operators shall control waste such as hazardous chemicals (to include but not be limited to, heavy equipment maintenance fluids, motor oil, antifreeze and secondary containment of vehicle fuel), litter, and sanitary waste at the construction site that may cause adverse impacts to water quality. Chemicals, paints, solvents, fertilizers, and other toxic materials must be stored in weatherproof containers. During application, the contents must be kept in trucks or within storage facilities. Runoff containing such material must be collected, removed from the site, treated, and disposed at an approved solid waste or chemical disposal facility.

Throughout build-out, the developer shall be responsible for implementing and maintaining Best Management Practices (BMPs) to control erosion and sediment problems on all idle lots.

All stockpiles shall require erosion and sediment control. All stockpiles shall:

- Not be located adjacent to a waterway.
- Be stabilized within 14 days after establishment. Stabilization shall include, but not be limited to, surface roughening, seeding, and mulching.

- Not exceed 10 feet in height.
- Utilize silt fence in all downslope sides of the stockpile.

TIMING & SCHEDULE

The general sequence of the phasing of the related construction activities will occur according to the following anticipated sequence:

Project sequence:

Include the installation of VTC.

Please also provide anticipated date of final stabilization.

BMP Implementation

The site grading is anticipated to start Fall 2019 and be completed by Fall 2019. The operator shall complete the BMP sequencing as follows:

1. Prepare and submit the state of Colorado, Colorado department of public health and environment (CDPHE) State Stormwater Discharge Permit Application through the online submittal portal. A copy of an example permit shall be provided to the owner upon receipt from the CDPHE.
2. Install SWMP information sign (S) in accordance with applicable County, state, and owner requirements.
3. Install perimeter controls (CF) and ensure that the limits of construction (LOC) are defined as necessary or known by all parties which will be responsible for construction on the site.
4. Install silt fence (SF) and SCL as shown on the GEC plans.
5. Install culvert inlet protection (CIP) on existing culverts as shown on the GEC plans.
6. Construct required stabilized staging area (SSA).
7. Upon completion of the initial BMP installation, the operator shall schedule a pre-construction meeting with the owner and the County erosion control inspector to confirm BMPs installed are adequate prior to proceeding with additional land disturbing activities.
8. Complete required permanent grading operations necessary for the extended detention basin construction. Conduct excavation as needed for the underground utilities. Stockpile materials in accordance with the stockpile management (SP) BMP.
9. Temporary stabilize (TS) all areas of the site which will remain inactive for a period greater than 30 days in accordance with El Paso County, CDPHE and owner requirements. Temporary stabilization shall be implemented within 14 days of disturbance. Contractor to choose annual grass appropriate for the area based on Table TS/PS-1 of the Urban Storm Drainage Criteria Manual Volume 3.
10. Install concrete washout area (CWA) prior to construction of concrete improvements.
11. Complete required paving of gravel parking and drive areas as well as proposed curb, gutter and sidewalk improvements.

12. Construct underground utilities.
13. Complete fine grading and proceed with temporary stabilization (TS) and permanent stabilization (PS) practices in accordance with approved reseeding landscape plans.
14. Achieve permanent stabilization in accordance with El Paso County, CDPHE and owner requirements.
15. Remove remaining BMPs once permanent stabilization (PS) has been achieved. Repair and stabilize areas disturbed through BMP removal.
16. Notify the owner of intent to file the notice of inactivation with El Paso County and CDPHE and receive owner acceptance to proceed with stormwater management close-out.
17. Notify the El Paso County of the intent to file the notice of inactivation and receive El Paso County field acceptance prior to proceeding with filing the notice of inactivation with the El Paso County.
18. Proceed with filing the notice of inactivation with the El Paso County and CDPHE.
19. Provide the owner with a copy of all stormwater documentation (permits, inspection reports, logs, etc.) Upon completion of the project, file the notice of inactivation.

STORMWATER MANAGEMENT CONTROLS

SWMP ADMINISTRATOR

The SWMP Administrator is the Operator selected for the project. The SWMP Administrator is responsible for developing, implementing, maintaining and revising the SWMP. The activities and responsibilities of the Administrator shall address all aspects of the facility's SWMP. Location of the SWMP and GEC plans/records should be kept on-site in the job/construction trailer at all times.

SITE SPECIFIC POLLUTION SOURCES

Further identification of site-specific pollutants that fall within the categories outlined in the next section may be field noted using the corresponding log included in the appendices of this report. The logs are intended to record site-specific pollutants, the date of arrival on the site, the date removed from the site, and the methods of treatment.

IDENTIFICATION OF POLLUTANT SOURCES

Evaluation of general sediment and non-sediment pollution sources associated with site construction activities, as outlined within the General Permit, consist of the following:

- **Disturbed and Stored Soils** – Earth disturbing activities (grading, excavation, etc.) will be necessary for this project; therefore, the potential exists for disturbed site soils to contribute sediment to stormwater discharges.
- **Vehicle Tracking and Sediment** – Construction traffic will be entering and exiting the Site; therefore, the potential exists for vehicle tracking to contribute sediment to stormwater discharges.

- **Management of Contaminated Soils** – Contaminated soils are not anticipated on this Site. If encountered, the SWMP Administrator shall take appropriate containment and treatment measures.
- **Loading and Unloading Operations** – Loading and unloading operations will be taking place at the Site; therefore, the potential exists for these operations to introduce sediment and non-sediment pollutants to stormwater discharges.
- **Outdoor Storage of Materials** – Limited outdoor storage of materials is anticipated with the construction of this site; however, outdoor storage of chemicals, fertilizers, etc. is not anticipated.
- **Vehicle and Equipment Maintenance and Fueling** – Routine maintenance and fueling of vehicles and equipment is anticipated with this Site; therefore, the potential exists for pollutants associated with these activities to contribute pollutants to stormwater discharges.
- **Significant Dust or Particulate Generating Processes** – Earth disturbing activities (grading, excavation, etc.) will be necessary for this project; therefore, the potential exists for windblown site soils to contribute sediment to stormwater discharges.
- **Routine Maintenance** – Routine maintenance involving fertilizers, pesticides, detergents, fuels, solvents, oils, etc., other than those identified within Vehicle and Equipment Maintenance and Fueling are not anticipated with this project. If encountered, the SWMP Administrator shall take appropriate containment and treatment measures.
- **Onsite Waste Management** – Waste management consisting of solid waste piles, liquid wastes, dumpsters, etc. are anticipated onsite; therefore, the potential exists for these operations to introduce sediment and non-sediment pollutants to stormwater discharges.
- **Concrete Truck / Equipment Washing** – Concrete truck and equipment washing are anticipated with this project. The SWMP Administrator shall take appropriate containment and treatment measures.
- **Dedicated Asphalt and Concrete Batch Plants** – Dedicated asphalt and/or concrete batch plants are not anticipated with this project. If encountered, the SWMP Administrator shall take appropriate containment and treatment measures and document as necessary.
- **Non-Industrial Waste Sources** – Non-Industrial waste sources limited to portable sanitary facilities are anticipated with this project.
- **Additional Pollutant Sources** – Additional areas or procedures where potential spills could occur are not anticipated with this project.

Logs for the identification of pollutant sources are included in the Appendices for reference and use.

Based on the following, the potential to contribute pollutants to stormwater discharges is not significant for most of the pollutants identified above:

- Relatively Low Frequency of the Activities
- The Ability to Schedule Activities During Dry Weather
- Existing Site Topography
- The Ability to Implement Primary and Secondary Containment for Product Storage
- The Ability to Locate Activities Away from Drainage Ways

Potential pollutant sources noted below shall be mitigated by use of Best Management Practices (BMPs) as noted in the following sections:

- Disturbed and Stored Soils
- Vehicle Tracking and Sediment
- Loading and Unloading Operations

- Outdoor Storage
- Vehicle Equipment and Maintenance Fueling
- Significant Dust or Particulate Generating Processes
- Non-Industrial Waste Sources

BEST MANAGEMENT PRACTICES FOR STORMWATER POLLUTION PREVENTION

Structural Practices for Erosion and Sediment Control

Structural BMPs shall be implemented onsite to minimize erosion and sediment transport. Recommended BMPs based upon a limited site review may be seen within the SWMP Site Map included in the Appendices of this report. Additional BMPs shall be implemented by the SWMP Administrator if necessary to prevent sediment-laden runoff from leaving the project site. The SWMP shall be updated to reflect any changes or revisions enacted in the field.

Non-Structural Practices for Erosion and Sediment Control

Non-Structural BMPs shall be implemented onsite to minimize erosion and sediment transport. Recommended BMPs based upon a limited site review may be seen within the SWMP Site Map included in the Appendices of this report. Additional BMPs shall be implemented by the SWMP Administrator if necessary to prevent sediment-laden runoff from leaving the project site. The SWMP shall be updated to reflect any changes or revisions enacted in the field.

Phased BMP Implementation

Construction of the identified improvements will take place under two main phases of construction anticipated as identified within the construction sequencing included within this report.

A Land Disturbance, BMP Installation, and Stabilization Log is provided in the Appendices and shall be filled out accordingly during BMP implementation.

Materials Handling and Spill Prevention

Any hazardous or potentially hazardous material that is brought onto the construction site shall be handled properly in order to reduce the potential for stormwater pollution. In an effort to minimize the potential for a spill of petroleum product or hazardous materials to come in contact with stormwater, the following steps shall be implemented:

- Material Safety Data Sheets (MSDS) information shall be kept on site for any and all applicable materials.
- All materials with hazardous properties (such as pesticides, petroleum products, fertilizers, detergents, construction chemicals, acids, paints, paint solvents, additives for soil stabilization, concrete, curing compounds and additives, etc.) shall be stored in a secure location, under cover and in appropriate, tightly sealed containers when not in use.
- The minimum practical quantity of all such materials shall be kept on the job site and scheduled for delivery as close to the time of use as practical.
- A spill control and containment kit (containing, for example, absorbent material, acid neutralizing agent, brooms, dust pans, mops, rags, gloves, goggles, plastic and metal trash containers, etc.) shall be provided on the construction site and location(s) shown on Site Maps.
- All of the product in a container shall be used before the container is disposed of. All such containers shall be triple rinsed, with water prior to disposal. The rinse water used in these containers shall be disposed of in a manner in compliance with State and Federal regulations and shall not be allowed to mix with stormwater discharges.

- All products shall be stored in and used from the original container with the original product label and used in strict compliance with the instructions on the product label.
- The disposal of excess or used products shall be in strict compliance with instructions on the product label.

Temporary onsite fuel tanks for construction vehicles shall meet all state and federal regulations. Tanks shall have approved spill containment with the capacity required by the applicable regulations. From NFPA 30: All tanks shall be provided with secondary containment (i.e. containment external to and separate from primary containment). Secondary containment shall be constructed of materials of sufficient thickness, density and composition so as not to be structurally weakened as a result of contact with the fuel stored and capable of containing discharged fuel for a period of time equal to or longer than the maximum anticipated time sufficient to allow recovery of discharged fuel.

The tanks shall be in sound condition free of rust or other damage which might compromise containment. Fuel storage areas shall meet all Environmental Protection Agency (EPA), OSHA and other regulatory requirements for signage, fire extinguisher, etc. Hoses, valves, fittings, caps, filler nozzles and associated hardware shall be maintained in proper working condition at all times. The location of fuel tanks shall be shown on the Site Maps and shall be located to minimize exposure to weather and surface water drainage features.

The Operator shall develop and implement a Materials Handling and Spill Prevention Plan (MHSPP) in accordance with the EPA and State of Colorado requirements. In the event of an accidental spill, immediate action shall be undertaken by the Operator to contain and remove the spilled material. All hazardous materials, including contaminated soil, shall be disposed of by the Operator in the manner specified by federal, state and local regulations and by the manufacturer of such products. As soon as possible, the spill shall be reported to the appropriate agencies. As required under the provisions of the Clean Water Act, any spill or discharge entering waters of the United States shall be properly reported. The Operator shall prepare a written record of any spill and associated clean-up activities of petroleum products or hazardous materials in excess of 1 gallon or reportable quantities, whichever is less.

Any spills of petroleum products or hazardous materials in excess of Reportable Quantities as defined by EPA or the state or local agency regulations, shall be immediately reported to the Colorado Department of Public Health and Environment spill reporting lines.

- CDPHE Environmental Release and Incident Reporting Line (877) 518-5608.

For reference, a bulletin on Environmental Spill Reporting published by the CDPHE, has been included in the Appendices of this report.

Vehicle Tracking and Dust Control

Vehicle Tracking Control BMPs (structural and non-structural) shall be implemented in order to control potential sediment discharges from vehicle tracking. Practices shall be implemented for all areas of potential vehicle tracking which include, but are not limited to reduced site access and utilization of designated haul routes.

Areas of soil that are denuded of vegetation and have little protection from particles being picked up and carried by wind should be protected with a temporary cover or kept under control with water or other soil adhering products to limit wind transported particles exiting the site perimeter.

Waste Management and Disposal

An effective first step towards preventing pollution in stormwater from work sites involves using a common sense approach to improve the facility's basic housekeeping methods. Poor housekeeping practices result in increased waste and potential for stormwater contamination.

No solid materials are allowed to be discharged from the site with stormwater. All solid waste, including disposable materials incidental to the construction activities, must be collected and placed in containers. Secure covers for the containers shall be provided at all times to meet state and local requirements. The location of solid waste receptacles shall be identified on the SWMP by the Operator.

Concrete waste is anticipated with this project; and therefore, a dedicated concrete washout is required. The SWMP Administrator shall take appropriate containment and treatment measures and document as necessary.

Portable Toilets

Portable toilets shall be provided on-site as necessary for construction personnel. Portable toilets shall be located on flat surfaces away from drainage paths, tie-downed or stake-downed, emptied regularly, and where possible secondary containment pans shall be provided under the portable toilets. In the event of a spill, the Permittee shall follow spill prevention measures as noted in the Appendix. Toilets shall be located away from anticipated stormwater discharges. Proper and regular maintenance and cleaning shall occur as a preventive measure.

Groundwater and Stormwater Dewatering

Except as noted below, all discharges covered by this permit shall be composed entirely of stormwater associated with construction activity.

- Emergency Fire Fighting Activities
- Uncontaminated Spring Water

Groundwater dewatering is not anticipated. Before excavation, or if encountered, the operator shall file for appropriate permits with the CDPHE.

FINAL STABILIZATION AND LONG TERM STORMWATER MANAGEMENT

Permanent stabilization will be needed on the site where there is proposed seeding and mulching. Permanent stabilization of landscape areas will be limited to the proposed EDBs. Permanent stabilization will also consist of the paving of the existing gravel driveway and parking areas. Reference landscape plans for complete permanent stabilization details. For highest success probability, the Site will be drilled during the spring between April and early May or in the fall after the first of September until the ground freezes. Final stabilization is reached when all ground surface disturbing activities at the site have been completed, and uniform vegetative cover has been established with an individual plant density of at least 70 percent of pre-disturbance plant density levels, or equivalent permanent, physical erosion reduction methods have been employed, as determined by the County Engineering Inspector. Documentation of pre-disturbance conditions assists in making this determination.

Long term stormwater management is attained using check dams that will slow runoff and a drainage channel that will direct runoff until all runoff ultimately reaches Fountain Creek.

Provide description of Long-term stormwater quality
(i.e. permanent water quality/detention ponds)

INSPECTION AND MAINTENANCE

Permittee or contractor shall produce written inspection records every seven (7) days and after significant precipitation events. All necessary maintenance and repair shall be completed immediately. The purpose of site inspections is to assess performance of pollutant controls. The inspections will be conducted by the contractor's Storm Water Coordinator. Based on these inspections, it is the responsibility of the contractor to revise or implement additional Best Management Practices, repair erosion control measures, modify, maintain, supplement, or take additional steps as necessary to achieve effective pollutant control measures.

Examples of specific items to evaluate during site inspections are listed below. This list is not intended to be comprehensive. During each inspection, the inspector must evaluate overall pollutant control system performance as well as particular details of individual system components. Additional factors should be considered as appropriate to the circumstances.

- A. Locations where vehicles enter and exit the site must be inspected for evidence of off-site sediment tracking. A stabilized VTC shall be constructed where vehicles enter and exit. Exits shall be maintained or supplemented as necessary to prevent the release of sediment from vehicles leaving the site.
- B. Sediment barriers must be inspected and they must be extended, repaired or cleaned at such time as their original capacity has been reduced by 33 percent. All material excavated from behind sediment barriers shall be stockpiled on the up-slope side. Additional sediment barriers must be constructed as needed.
- C. Inspections shall evaluate disturbed areas and areas used for storing materials that are exposed to rainfall for evidence of, or the potential for, pollutants entering the drainage system or discharging from the site. If necessary, the materials must be covered or original covers must be repaired or supplemented. Also, protective berms must be constructed, if needed, in order to contain runoff from material storage areas, and/or run-on.
- D. All discharge points must be inspected to determine whether erosion control measures are effective in preventing significant impacts to receiving waters.

A sample report from the EPA has been included in the Appendix for reference.

TERM AND CONDITIONS OF THE CDPS GENERAL PERMIT

GENERAL LIMITATIONS

The following limitations shall apply to discharges associated with construction activities:

- Stormwater discharges from construction activities shall not cause, have the reasonable potential to cause, or measurably contribute to an exceedance of any water quality standard, including narrative standards for water quality.
- Concrete washout water shall not be discharged to state surface waters or to storm sewer systems. Onsite permanent disposal of concrete washout waste is not authorized by this permit. Discharge to the ground of concrete washout waste that will subsequently be disposed of offsite is authorized by this permit. See Part I.D.3.c of the permit.

- Bulk storage structures for petroleum products and any other chemicals shall have secondary containment or equivalent adequate protection so as to contain all spills and prevent any spilled material from entering State Waters.
- No chemicals are to be added to the discharge unless permission for the use of a specific chemical is granted by CDPHE. In granting the use of such chemicals, special conditions and monitoring may be addressed by separate correspondence.
- CDPHE reserves the right to require sampling and testing, on a case-by-case basis, in the event that there is reason to suspect that compliance with the SWMP is a problem, or to measure the effectiveness of the BMPs in removing pollutants in the effluent. Such monitoring may include Whole Effluent Toxicity testing.
- All site wastes must be properly managed to prevent potential pollution of State Waters. This permit does not authorize onsite waste disposal.
- All dischargers must comply with the lawful requirements of federal agencies, municipalities, counties, drainage districts and other local agencies regarding any discharges of stormwater to storm drain systems or other water courses under their jurisdiction, including applicable requirements in municipal stormwater management programs developed to comply with CDPS permits. Dischargers must comply with local stormwater management requirements, policies, or guidelines including erosion and sediment control.

The above information is taken directly from the CDPHE General Permit.

PROHIBITION OF NON-STORMWATER DISCHARGES

Except as identified within the Terms and Conditions of the General Permit (Section D.3 – Prohibition of Non-Stormwater Discharges), all discharges covered by this permit shall be composed entirely of stormwater associated with construction activity. Discharges of material other than stormwater must be addressed in a separate CDPS permit issued for that discharge.

Discharges to the ground from construction dewatering activities that do not meet the referenced criteria must be covered under a separate CDPS discharge permit. Contaminated groundwater requiring coverage under a separate CDPS discharge permit may include groundwater contaminated with pollutants from a landfill, mining activity, industrial pollutant plume, underground storage tank, or other source.

The above information is taken from the CDPHE General Permit.

SWMP RETENTION REQUIREMENTS

The permittee must document inspection results and maintain a record of the results for a period of 3 years following expiration or inactivation of permit coverage. These records must be made available to the County, CDPHE or EPA upon request.

In order to fulfill this requirement, the SWMP Administrator shall retain a copy of the SWMP and provide the original to the owner/permittee upon inactivation of the permit.

SWMP REVIEW / CHANGES

At nearly every site, the recommended and/or implemented BMPs will need to be modified to adapt to changing site conditions, or to ensure that the potential pollutants are consistently and properly managed. The Operator shall amend the SWMP:

- When there is a change in design, construction, operation, or maintenance of the site, which would require the implementation of new or revised BMPs; or

- If the SWMP proves to be ineffective in achieving the general objectives of controlling pollutants in stormwater discharges associated with construction activity; or
- When BMPs are no longer necessary and removed.

SWMP changes shall be made prior to changes in site conditions, except as noted below. Revisions may include, but are not limited to, potential pollutant source identification, selection of appropriate BMPs for site conditions, BMP maintenance procedures and interim and final stabilization practices. The SWMP changes may include a schedule for further BMP design and implementation, provided that, if any interim BMPs are needed to comply with the permit, they are also included in the SWMP and implemented during the interim period.

RESPONSIVE SWMP CHANGES

SWMP changes addressing BMP installation and/or implementation are often required to be made in response to changing conditions, or when current BMPs are determined ineffective. The majority of these SWMP revisions can be made immediately with quick in-the-field revisions to the SWMP. In the less common situation where more complex development of materials to modify the SWMP is necessary, the revisions shall be made in accordance with the following requirements:

- The SWMP shall be revised as soon as practicable, but in no case more than 72 hours after the change(s) in BMP installation/implementation occur at the site; and
- A notation must be included in the SWMP prior to the site change(s) that includes the time and date of the change(s) in the field, an identification of the BMP(s) removed or added and the location(s) of those BMP(s).

Any BMP deficiencies, replacement or additional BMPs that may be required shall be documented on the Stormwater Management Plans and in the appropriate logs. Copies of the Corrective Action Log and SWMP Amendment Log have been included in the Appendices for reference and use.

CONCLUSIONS

Temporary erosion control measures and BMPs will enhance stormwater quality within the project area by capturing and detaining sediment-laden runoff prior to discharging off-site.

REFERENCES

Colorado Discharge Permit System (CDPS) – Stormwater Discharge Associated with Construction Activities Application - Prepared by Water Quality Control Division, Colorado Department of Public Health and Environment; Revised March 2016.

Colorado Discharge Permit System (CDPS) General Permit – Stormwater Discharges Associated with Construction Activity - Prepared by Water Quality Control Division, Colorado Department of Public Health and Environment; signed and issued on May 31, 2007 and administratively continued effective July 1, 2012.

Stormwater Discharges Associated with Construction Activity – Stormwater Management Plan Preparation Guidance - Prepared by Water Quality Control Division, Colorado Department of Public Health and Environment; Revised April 2011.

Urban Storm Drainage Criteria Manual, Volume 3 - Urban Drainage and Flood Control District, Denver, CO.; November 2010.

APPENDICES

**APPENDIX A
EARTHWORK CALCULATIONS**

Earthwork Volume Calculations

Area	Cut (CY)	Fill (CY)	Net (CY)	Notes
Site	1,150	0	1,150 Cut	Excess material to be hauled of site and disposed of by Contractor

**APPENDIX B
SOILS INFORMATION**



United States
Department of
Agriculture

NRCS

Natural
Resources
Conservation
Service

A product of the National
Cooperative Soil Survey,
a joint effort of the United
States Department of
Agriculture and other
Federal agencies, State
agencies including the
Agricultural Experiment
Stations, and local
participants

Custom Soil Resource Report for Pike National Forest, Eastern Part, Colorado, Parts of Douglas, El Paso, Jefferson, and Teller Counties



Preface

Soil surveys contain information that affects land use planning in survey areas. They highlight soil limitations that affect various land uses and provide information about the properties of the soils in the survey areas. Soil surveys are designed for many different users, including farmers, ranchers, foresters, agronomists, urban planners, community officials, engineers, developers, builders, and home buyers. Also, conservationists, teachers, students, and specialists in recreation, waste disposal, and pollution control can use the surveys to help them understand, protect, or enhance the environment.

Various land use regulations of Federal, State, and local governments may impose special restrictions on land use or land treatment. Soil surveys identify soil properties that are used in making various land use or land treatment decisions. The information is intended to help the land users identify and reduce the effects of soil limitations on various land uses. The landowner or user is responsible for identifying and complying with existing laws and regulations.

Although soil survey information can be used for general farm, local, and wider area planning, onsite investigation is needed to supplement this information in some cases. Examples include soil quality assessments (<http://www.nrcs.usda.gov/wps/portal/nrcs/main/soils/health/>) and certain conservation and engineering applications. For more detailed information, contact your local USDA Service Center (<https://offices.sc.egov.usda.gov/locator/app?agency=nrcs>) or your NRCS State Soil Scientist (http://www.nrcs.usda.gov/wps/portal/nrcs/detail/soils/contactus/?cid=nrcs142p2_053951).

Great differences in soil properties can occur within short distances. Some soils are seasonally wet or subject to flooding. Some are too unstable to be used as a foundation for buildings or roads. Clayey or wet soils are poorly suited to use as septic tank absorption fields. A high water table makes a soil poorly suited to basements or underground installations.

The National Cooperative Soil Survey is a joint effort of the United States Department of Agriculture and other Federal agencies, State agencies including the Agricultural Experiment Stations, and local agencies. The Natural Resources Conservation Service (NRCS) has leadership for the Federal part of the National Cooperative Soil Survey.

Information about soils is updated periodically. Updated information is available through the NRCS Web Soil Survey, the site for official soil survey information.

The U.S. Department of Agriculture (USDA) prohibits discrimination in all its programs and activities on the basis of race, color, national origin, age, disability, and where applicable, sex, marital status, familial status, parental status, religion, sexual orientation, genetic information, political beliefs, reprisal, or because all or a part of an individual's income is derived from any public assistance program. (Not all prohibited bases apply to all programs.) Persons with disabilities who require

alternative means for communication of program information (Braille, large print, audiotape, etc.) should contact USDA's TARGET Center at (202) 720-2600 (voice and TDD). To file a complaint of discrimination, write to USDA, Director, Office of Civil Rights, 1400 Independence Avenue, S.W., Washington, D.C. 20250-9410 or call (800) 795-3272 (voice) or (202) 720-6382 (TDD). USDA is an equal opportunity provider and employer.

Contents

Preface	2
How Soil Surveys Are Made	5
Soil Map	8
Soil Map.....	9
Legend.....	10
Map Unit Legend.....	12
Map Unit Descriptions.....	12
Pike National Forest, Eastern Part, Colorado, Parts of Douglas, El Paso, Jefferson, and Teller Counties.....	14
47—Sphinx, warm-Rock outcrop complex, 15 to 80 percent slopes.....	14
References	16

How Soil Surveys Are Made

Soil surveys are made to provide information about the soils and miscellaneous areas in a specific area. They include a description of the soils and miscellaneous areas and their location on the landscape and tables that show soil properties and limitations affecting various uses. Soil scientists observed the steepness, length, and shape of the slopes; the general pattern of drainage; the kinds of crops and native plants; and the kinds of bedrock. They observed and described many soil profiles. A soil profile is the sequence of natural layers, or horizons, in a soil. The profile extends from the surface down into the unconsolidated material in which the soil formed or from the surface down to bedrock. The unconsolidated material is devoid of roots and other living organisms and has not been changed by other biological activity.

Currently, soils are mapped according to the boundaries of major land resource areas (MLRAs). MLRAs are geographically associated land resource units that share common characteristics related to physiography, geology, climate, water resources, soils, biological resources, and land uses (USDA, 2006). Soil survey areas typically consist of parts of one or more MLRA.

The soils and miscellaneous areas in a survey area occur in an orderly pattern that is related to the geology, landforms, relief, climate, and natural vegetation of the area. Each kind of soil and miscellaneous area is associated with a particular kind of landform or with a segment of the landform. By observing the soils and miscellaneous areas in the survey area and relating their position to specific segments of the landform, a soil scientist develops a concept, or model, of how they were formed. Thus, during mapping, this model enables the soil scientist to predict with a considerable degree of accuracy the kind of soil or miscellaneous area at a specific location on the landscape.

Commonly, individual soils on the landscape merge into one another as their characteristics gradually change. To construct an accurate soil map, however, soil scientists must determine the boundaries between the soils. They can observe only a limited number of soil profiles. Nevertheless, these observations, supplemented by an understanding of the soil-vegetation-landscape relationship, are sufficient to verify predictions of the kinds of soil in an area and to determine the boundaries.

Soil scientists recorded the characteristics of the soil profiles that they studied. They noted soil color, texture, size and shape of soil aggregates, kind and amount of rock fragments, distribution of plant roots, reaction, and other features that enable them to identify soils. After describing the soils in the survey area and determining their properties, the soil scientists assigned the soils to taxonomic classes (units). Taxonomic classes are concepts. Each taxonomic class has a set of soil characteristics with precisely defined limits. The classes are used as a basis for comparison to classify soils systematically. Soil taxonomy, the system of taxonomic classification used in the United States, is based mainly on the kind and character of soil properties and the arrangement of horizons within the profile. After the soil

Custom Soil Resource Report

scientists classified and named the soils in the survey area, they compared the individual soils with similar soils in the same taxonomic class in other areas so that they could confirm data and assemble additional data based on experience and research.

The objective of soil mapping is not to delineate pure map unit components; the objective is to separate the landscape into landforms or landform segments that have similar use and management requirements. Each map unit is defined by a unique combination of soil components and/or miscellaneous areas in predictable proportions. Some components may be highly contrasting to the other components of the map unit. The presence of minor components in a map unit in no way diminishes the usefulness or accuracy of the data. The delineation of such landforms and landform segments on the map provides sufficient information for the development of resource plans. If intensive use of small areas is planned, onsite investigation is needed to define and locate the soils and miscellaneous areas.

Soil scientists make many field observations in the process of producing a soil map. The frequency of observation is dependent upon several factors, including scale of mapping, intensity of mapping, design of map units, complexity of the landscape, and experience of the soil scientist. Observations are made to test and refine the soil-landscape model and predictions and to verify the classification of the soils at specific locations. Once the soil-landscape model is refined, a significantly smaller number of measurements of individual soil properties are made and recorded. These measurements may include field measurements, such as those for color, depth to bedrock, and texture, and laboratory measurements, such as those for content of sand, silt, clay, salt, and other components. Properties of each soil typically vary from one point to another across the landscape.

Observations for map unit components are aggregated to develop ranges of characteristics for the components. The aggregated values are presented. Direct measurements do not exist for every property presented for every map unit component. Values for some properties are estimated from combinations of other properties.

While a soil survey is in progress, samples of some of the soils in the area generally are collected for laboratory analyses and for engineering tests. Soil scientists interpret the data from these analyses and tests as well as the field-observed characteristics and the soil properties to determine the expected behavior of the soils under different uses. Interpretations for all of the soils are field tested through observation of the soils in different uses and under different levels of management. Some interpretations are modified to fit local conditions, and some new interpretations are developed to meet local needs. Data are assembled from other sources, such as research information, production records, and field experience of specialists. For example, data on crop yields under defined levels of management are assembled from farm records and from field or plot experiments on the same kinds of soil.

Predictions about soil behavior are based not only on soil properties but also on such variables as climate and biological activity. Soil conditions are predictable over long periods of time, but they are not predictable from year to year. For example, soil scientists can predict with a fairly high degree of accuracy that a given soil will have a high water table within certain depths in most years, but they cannot predict that a high water table will always be at a specific level in the soil on a specific date.

After soil scientists located and identified the significant natural bodies of soil in the survey area, they drew the boundaries of these bodies on aerial photographs and

Custom Soil Resource Report

identified each as a specific map unit. Aerial photographs show trees, buildings, fields, roads, and rivers, all of which help in locating boundaries accurately.

Soil Map

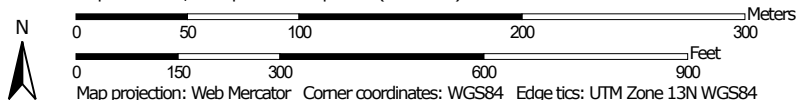
The soil map section includes the soil map for the defined area of interest, a list of soil map units on the map and extent of each map unit, and cartographic symbols displayed on the map. Also presented are various metadata about data used to produce the map, and a description of each soil map unit.

Custom Soil Resource Report Soil Map



Soil Map may not be valid at this scale.

Map Scale: 1:3,390 if printed on A portrait (8.5" x 11") sheet.



MAP LEGEND

Area of Interest (AOI)

 Area of Interest (AOI)

Soils

 Soil Map Unit Polygons

 Soil Map Unit Lines


 Soil Map Unit Points

Special Point Features






-  Blowout
-  Borrow Pit
-  Clay Spot
-  Closed Depression
-  Gravel Pit
-  Gravelly Spot
-  Landfill
-  Lava Flow
-  Marsh or swamp
-  Mine or Quarry
-  Miscellaneous Water
-  Perennial Water
-  Rock Outcrop
-  Saline Spot
-  Sandy Spot
-  Severely Eroded Spot
-  Sinkhole
-  Slide or Slip
-  Sodic Spot

-  Spoil Area
-  Stony Spot
-  Very Stony Spot
-  Wet Spot
-  Other
-  Special Line Features


Water Features

 Streams and Canals

Transportation

-  Rails
-  Interstate Highways
-  US Routes
-  Major Roads
-  Local Roads

Background

 Aerial Photography

MAP INFORMATION

The soil surveys that comprise your AOI were mapped at 1:24,000.

Warning: Soil Map may not be valid at this scale.

Enlargement of maps beyond the scale of mapping can cause misunderstanding of the detail of mapping and accuracy of soil line placement. The maps do not show the small areas of contrasting soils that could have been shown at a more detailed scale.

Please rely on the bar scale on each map sheet for map measurements.

Source of Map: Natural Resources Conservation Service
 Web Soil Survey URL:
 Coordinate System: Web Mercator (EPSG:3857)

Maps from the Web Soil Survey are based on the Web Mercator projection, which preserves direction and shape but distorts distance and area. A projection that preserves area, such as the Albers equal-area conic projection, should be used if more accurate calculations of distance or area are required.

This product is generated from the USDA-NRCS certified data as of the version date(s) listed below.

Soil Survey Area: Pike National Forest, Eastern Part, Colorado, Parts of Douglas, El Paso, Jefferson, and Teller Counties
 Survey Area Data: Version 5, Sep 10, 2018

Soil map units are labeled (as space allows) for map scales 1:50,000 or larger.

Date(s) aerial images were photographed: Jul 4, 2010—Oct 16, 2017

The orthophoto or other base map on which the soil lines were compiled and digitized probably differs from the background

MAP LEGEND

MAP INFORMATION

imagery displayed on these maps. As a result, some minor shifting of map unit boundaries may be evident.

Map Unit Legend

Map Unit Symbol	Map Unit Name	Acres in AOI	Percent of AOI
47	Sphinx, warm-Rock outcrop complex, 15 to 80 percent slopes	47.6	100.0%
Totals for Area of Interest		47.6	100.0%

Map Unit Descriptions

The map units delineated on the detailed soil maps in a soil survey represent the soils or miscellaneous areas in the survey area. The map unit descriptions, along with the maps, can be used to determine the composition and properties of a unit.

A map unit delineation on a soil map represents an area dominated by one or more major kinds of soil or miscellaneous areas. A map unit is identified and named according to the taxonomic classification of the dominant soils. Within a taxonomic class there are precisely defined limits for the properties of the soils. On the landscape, however, the soils are natural phenomena, and they have the characteristic variability of all natural phenomena. Thus, the range of some observed properties may extend beyond the limits defined for a taxonomic class. Areas of soils of a single taxonomic class rarely, if ever, can be mapped without including areas of other taxonomic classes. Consequently, every map unit is made up of the soils or miscellaneous areas for which it is named and some minor components that belong to taxonomic classes other than those of the major soils.

Most minor soils have properties similar to those of the dominant soil or soils in the map unit, and thus they do not affect use and management. These are called noncontrasting, or similar, components. They may or may not be mentioned in a particular map unit description. Other minor components, however, have properties and behavioral characteristics divergent enough to affect use or to require different management. These are called contrasting, or dissimilar, components. They generally are in small areas and could not be mapped separately because of the scale used. Some small areas of strongly contrasting soils or miscellaneous areas are identified by a special symbol on the maps. If included in the database for a given area, the contrasting minor components are identified in the map unit descriptions along with some characteristics of each. A few areas of minor components may not have been observed, and consequently they are not mentioned in the descriptions, especially where the pattern was so complex that it was impractical to make enough observations to identify all the soils and miscellaneous areas on the landscape.

The presence of minor components in a map unit in no way diminishes the usefulness or accuracy of the data. The objective of mapping is not to delineate pure taxonomic classes but rather to separate the landscape into landforms or landform segments that have similar use and management requirements. The delineation of such segments on the map provides sufficient information for the development of resource plans. If intensive use of small areas is planned, however,

Custom Soil Resource Report

onsite investigation is needed to define and locate the soils and miscellaneous areas.

An identifying symbol precedes the map unit name in the map unit descriptions. Each description includes general facts about the unit and gives important soil properties and qualities.

Soils that have profiles that are almost alike make up a *soil series*. Except for differences in texture of the surface layer, all the soils of a series have major horizons that are similar in composition, thickness, and arrangement.

Soils of one series can differ in texture of the surface layer, slope, stoniness, salinity, degree of erosion, and other characteristics that affect their use. On the basis of such differences, a soil series is divided into *soil phases*. Most of the areas shown on the detailed soil maps are phases of soil series. The name of a soil phase commonly indicates a feature that affects use or management. For example, Alpha silt loam, 0 to 2 percent slopes, is a phase of the Alpha series.

Some map units are made up of two or more major soils or miscellaneous areas. These map units are complexes, associations, or undifferentiated groups.

A *complex* consists of two or more soils or miscellaneous areas in such an intricate pattern or in such small areas that they cannot be shown separately on the maps. The pattern and proportion of the soils or miscellaneous areas are somewhat similar in all areas. Alpha-Beta complex, 0 to 6 percent slopes, is an example.

An *association* is made up of two or more geographically associated soils or miscellaneous areas that are shown as one unit on the maps. Because of present or anticipated uses of the map units in the survey area, it was not considered practical or necessary to map the soils or miscellaneous areas separately. The pattern and relative proportion of the soils or miscellaneous areas are somewhat similar. Alpha-Beta association, 0 to 2 percent slopes, is an example.

An *undifferentiated group* is made up of two or more soils or miscellaneous areas that could be mapped individually but are mapped as one unit because similar interpretations can be made for use and management. The pattern and proportion of the soils or miscellaneous areas in a mapped area are not uniform. An area can be made up of only one of the major soils or miscellaneous areas, or it can be made up of all of them. Alpha and Beta soils, 0 to 2 percent slopes, is an example.

Some surveys include *miscellaneous areas*. Such areas have little or no soil material and support little or no vegetation. Rock outcrop is an example.

Pike National Forest, Eastern Part, Colorado, Parts of Douglas, El Paso, Jefferson, and Teller Counties

47—Sphinx, warm-Rock outcrop complex, 15 to 80 percent slopes

Map Unit Setting

National map unit symbol: jpzj
Elevation: 6,500 to 9,200 feet
Mean annual precipitation: 15 to 24 inches
Mean annual air temperature: 43 to 48 degrees F
Frost-free period: 70 to 125 days
Farmland classification: Not prime farmland

Map Unit Composition

Sphinx, warm, and similar soils: 60 percent
Rock outcrop: 25 percent
Minor components: 15 percent
Estimates are based on observations, descriptions, and transects of the mapunit.

Description of Sphinx, Warm

Setting

Landform: Mountain slopes
Landform position (three-dimensional): Mountaintop, mountainflank
Down-slope shape: Linear, convex
Across-slope shape: Linear, convex
Parent material: Weathered from granite

Typical profile

O_i - 0 to 1 inches: slightly decomposed plant material
A - 1 to 5 inches: gravelly coarse sandy loam
AC - 5 to 13 inches: very gravelly loamy coarse sand
Cr - 13 to 61 inches: weathered bedrock

Properties and qualities

Slope: 15 to 70 percent
Depth to restrictive feature: 10 to 20 inches to paralithic bedrock
Natural drainage class: Somewhat excessively drained
Runoff class: Very high
Capacity of the most limiting layer to transmit water (K_{sat}): Very low to moderately low (0.00 to 0.06 in/hr)
Depth to water table: More than 80 inches
Frequency of flooding: None
Frequency of ponding: None
Salinity, maximum in profile: Nonsaline to very slightly saline (0.0 to 2.0 mmhos/cm)
Available water storage in profile: Very low (about 0.9 inches)

Interpretive groups

Land capability classification (irrigated): None specified
Land capability classification (nonirrigated): 7e
Hydrologic Soil Group: D
Other vegetative classification: Ponderosa pine/kinnikinnick (PIPO/ARUV) (C1140)
Hydric soil rating: No

Description of Rock Outcrop

Setting

Landform: Mountain slopes
Landform position (three-dimensional): Mountaintop, mountainflank
Down-slope shape: Linear, convex
Across-slope shape: Linear, convex

Typical profile

R - 0 to 61 inches: bedrock

Properties and qualities

Slope: 15 to 80 percent
Depth to restrictive feature: 0 inches to lithic bedrock
Runoff class: Very high
Capacity of the most limiting layer to transmit water (Ksat): Very low to moderately low (0.00 to 0.06 in/hr)
Available water storage in profile: Very low (about 0.0 inches)

Interpretive groups

Land capability classification (irrigated): None specified
Land capability classification (nonirrigated): 8
Hydrologic Soil Group: D
Hydric soil rating: No

Minor Components

Sphinx, dark surface

Percent of map unit: 10 percent
Landform: Mountain slopes
Landform position (three-dimensional): Mountainflank
Down-slope shape: Linear, convex
Across-slope shape: Linear, convex
Other vegetative classification: Ponderosa pine/kinnikinnick (PIPO/ARUV)
(C1140)
Hydric soil rating: No

Garber

Percent of map unit: 5 percent
Landform: Drainageways, mountain slopes
Landform position (three-dimensional): Mountainbase
Down-slope shape: Linear, convex, concave
Across-slope shape: Linear, convex, concave
Hydric soil rating: No

References

- American Association of State Highway and Transportation Officials (AASHTO). 2004. Standard specifications for transportation materials and methods of sampling and testing. 24th edition.
- American Society for Testing and Materials (ASTM). 2005. Standard classification of soils for engineering purposes. ASTM Standard D2487-00.
- Cowardin, L.M., V. Carter, F.C. Golet, and E.T. LaRoe. 1979. Classification of wetlands and deep-water habitats of the United States. U.S. Fish and Wildlife Service FWS/OBS-79/31.
- Federal Register. July 13, 1994. Changes in hydric soils of the United States.
- Federal Register. September 18, 2002. Hydric soils of the United States.
- Hurt, G.W., and L.M. Vasilas, editors. Version 6.0, 2006. Field indicators of hydric soils in the United States.
- National Research Council. 1995. Wetlands: Characteristics and boundaries.
- Soil Survey Division Staff. 1993. Soil survey manual. Soil Conservation Service. U.S. Department of Agriculture Handbook 18. http://www.nrcs.usda.gov/wps/portal/nrcs/detail/national/soils/?cid=nrcs142p2_054262
- Soil Survey Staff. 1999. Soil taxonomy: A basic system of soil classification for making and interpreting soil surveys. 2nd edition. Natural Resources Conservation Service, U.S. Department of Agriculture Handbook 436. http://www.nrcs.usda.gov/wps/portal/nrcs/detail/national/soils/?cid=nrcs142p2_053577
- Soil Survey Staff. 2010. Keys to soil taxonomy. 11th edition. U.S. Department of Agriculture, Natural Resources Conservation Service. http://www.nrcs.usda.gov/wps/portal/nrcs/detail/national/soils/?cid=nrcs142p2_053580
- Tiner, R.W., Jr. 1985. Wetlands of Delaware. U.S. Fish and Wildlife Service and Delaware Department of Natural Resources and Environmental Control, Wetlands Section.
- United States Army Corps of Engineers, Environmental Laboratory. 1987. Corps of Engineers wetlands delineation manual. Waterways Experiment Station Technical Report Y-87-1.
- United States Department of Agriculture, Natural Resources Conservation Service. National forestry manual. http://www.nrcs.usda.gov/wps/portal/nrcs/detail/soils/home/?cid=nrcs142p2_053374
- United States Department of Agriculture, Natural Resources Conservation Service. National range and pasture handbook. <http://www.nrcs.usda.gov/wps/portal/nrcs/detail/national/landuse/rangepasture/?cid=stelprdb1043084>

Custom Soil Resource Report

United States Department of Agriculture, Natural Resources Conservation Service. National soil survey handbook, title 430-VI. http://www.nrcs.usda.gov/wps/portal/nrcs/detail/soils/scientists/?cid=nrcs142p2_054242

United States Department of Agriculture, Natural Resources Conservation Service. 2006. Land resource regions and major land resource areas of the United States, the Caribbean, and the Pacific Basin. U.S. Department of Agriculture Handbook 296. http://www.nrcs.usda.gov/wps/portal/nrcs/detail/national/soils/?cid=nrcs142p2_053624

United States Department of Agriculture, Soil Conservation Service. 1961. Land capability classification. U.S. Department of Agriculture Handbook 210. http://www.nrcs.usda.gov/Internet/FSE_DOCUMENTS/nrcs142p2_052290.pdf

**APPENDIX C
SPILL PREVENTION, CONTROL AND COUNTERMEASURE PLAN**

involving a radioactive or infectious material, or there is a release of a marine pollutant.

Spills and incidents that have or may result in a spill along a highway must be reported to the nearest law enforcement agency immediately. The Colorado State Patrol and CDPHE must also be notified as soon as possible. In the event of a spill of hazardous waste at a transfer facility, the transporter must notify CDPHE within 24 hours if the spill exceeds 55 gallons or if there is a fire or explosion.

The National Response Center should be notified as soon as possible after discovery of a release of a hazardous liquid or carbon dioxide from a pipeline system if a person is killed or injured, there is a fire or explosion, there is property damage of \$50,000 or more, or any nearby water body is contaminated.

The National Response Center and the Colorado Public Utilities Commission Gas Pipeline Safety Section must be notified as soon as possible, but not more than two hours after discovery of a release of gas from a natural gas pipeline or liquefied natural gas facility if a person is killed or injured, there is an emergency shutdown of the facility, or there is property damage of \$50,000 or more. The Colorado Public Utilities Commission should also be notified if there is a gas leak from a pipeline, liquefied natural gas system, master meter system or a propane system that results in the evacuation of 50 or more people from an occupied building or the closure of a roadway.

Oil and Gas Exploration

All Class I major events on federal lands, including releases of hazardous substances in excess of the CERCLA reportable quantity and spills of more than 100 barrels of fluid and/or 500 MCF of gas released, must be reported to the Bureau of Land Management (BLM) immediately. Spills of oil, gas, salt water, toxic liquids and waste materials must also be reported to the BLM and the surface management agency.

Spills of exploration and production (E&P) waste on state or private lands in excess of 20 barrels, and spills of any size that impact or threaten to impact waters of the state, an occupied structure, or public byway must be reported to the Colorado Oil and Gas Conservation Commission as soon as practicable, but not more than 24 hours after discovery. Spills of any

size that impact or threaten to impact waters of the state must be reported to CDPHE immediately. Spills that impact or threaten to impact a surface water intake must be reported to the emergency contact for that facility immediately after discovery. Spills of more than five (5) barrels of E&P waste must be reported in writing to the Oil and Gas Conservation Commission within 10 days of discovery.

REPORTING NUMBERS

National Response Center (24-hour)
1-800-424-8802

CDPHE Colorado Environmental Release and Incident Reporting Line (24-hour)
1-877-518-5608

Radiation Incident Reporting Line (24-hour)
303-877-9757

Colorado State Patrol (24-hour)
303-239-4501

Division of Oil and Public Safety
(business hours)
303-318-8547

Oil and Gas Conservation Commission
(business hours)
303-894-2100

Colorado Public Utilities Commission Gas Pipeline Safety Section (business hours)
303-894-2851

Local Emergency Planning Committees
(to obtain list, business hours)
720-852-6603



**Colorado Department
of Public Health
and Environment**

Environmental Spill Reporting

Colorado Department of Public
Health and Environment
4300 Cherry Creek Drive South
Denver, CO 80246-1530

<http://www.cdphe.state.co.us>

January 2009

When a release of a hazardous material or other substance occurs to the environment, there are a number of reporting and notification requirements that must be followed by the company or individual responsible for the release. Most spills are covered by more than one reporting requirement, and **all** requirements must be met. In addition to verbal notification, written reports are generally required. This brochure briefly explains the major requirements. A more detailed description is provided in the "Reporting Environmental Releases in Colorado" Guidance Document, available on the web.

Releases that must be reported to the Colorado Department of Public Health and Environment (CDPHE) may be reported to the Colorado Environmental Release and Incident Reporting Line.

ENVIRONMENTAL SPILL REPORTING

CERCLA, EPCRA and RCRA

The Comprehensive Environmental Response, Compensation and Liability Act (CERCLA) and the Emergency Planning and Community Right-to-Know Act (EPCRA) require that a release of a reportable quantity or more of a hazardous substance to the environment be reported immediately to the appropriate authorities when the release is discovered.

Under CERCLA, reportable quantities were established for hazardous substances listed or designated under other environmental statutes. These include:

- all hazardous air pollutants (HAPs) listed under Section 112(b) of the Clean Air Act.
- all toxic pollutants designated under Section 307(a) or Section 311(b)(2)(A) of the Clean Water Act.
- all Resource Conservation and Recovery Act (RCRA) characteristic and listed hazardous wastes.
- any element, compound, or substance designated under Section 102 of CERCLA.

EPCRA established a list of extremely hazardous substances (EHS) that could cause serious irreversible health effects from accidental releases. Many substances appear on both the CERCLA and EPCRA lists. EPCRA extremely hazardous substances that are also CERCLA hazardous substances have the same reportable quantity (RQ) as under CERCLA. EPCRA extremely hazardous substances that are not listed under CERCLA have a reportable quantity that is equal to their threshold planning quantity (TPQ). A list of CERCLA reportable quantities is included in 40 CFR Section 302.4. A list of EPCRA threshold planning quantities is included in 40 CFR Part 355 Appendices A & B.

CERCLA-reportable releases must be reported immediately to the National Response Center (NRC), while EPCRA-reportable releases must be reported immediately to the National Response Center, the State Emergency Response Commission (SERC) and the affected Local Emergency Planning Committee (LEPC). If the release is an EPCRA extremely

hazardous substance, but not a CERCLA hazardous substance, and there is absolutely no potential to affect off-site persons, then only the State Emergency Planning Commission (represented by CDPHE for reporting purposes) and the Local Emergency Planning Committee need to be notified.

In the case of a release of hazardous waste stored in tanks, RCRA-permitted facilities and large quantity generators must also notify CDPHE within 24 hours of any release to the environment that is greater than one (1) pound.

Radiation Control

Each licensee or registrant must report to the Radiation Incident Reporting Line in the event of lost, stolen or missing licensed or registered radioactive materials or radiation machines, releases of radioactive materials, contamination events, and fires or explosions involving radioactive materials. Releases of radionuclides are reportable under CERCLA.

Clean Water Act

The Clean Water Act requires the person in charge of a facility or vessel to immediately report to the National Response Center all discharges of oil or designated hazardous substances to water. Oil means oil of any kind or form. Designated hazardous substances are included in the CERCLA list.

The Clean Water Act also requires that facilities with a National Pollutant Discharge Elimination System (NPDES) permit report to the National Response Center within 24 hours of becoming aware of any unanticipated bypasses or upsets that cause an exceedance of the effluent limits in their permit and any violations of their maximum daily discharge limits for pollutants listed in their permit.

A release of any chemical, oil, petroleum product, sewage, etc., which may enter waters of the state of Colorado (which include surface water, ground water and dry gullies and storm sewers leading to surface water) must be reported immediately to CDPHE. Any accidental discharge to the sanitary sewer system must be reported immediately to the local sewer authority and the affected wastewater treatment plant. For additional regarding releases to water, please see "Guidance for Reporting Spills under the Colorado

Water Quality Control Act and Colorado Discharge Permits" at <http://www.cdph.state.co.us/op/wqcc/Resources/Guidance/spillguidance.pdf>.

Clean Air Act

Hazardous air pollutants (HAPs) are designated as hazardous substances under CERCLA. If a facility has an air permit but the permit does not allow for or does not specify the release of a substance, or if the facility does not have an air permit, then all releases in excess of the CERCLA / EPCRA reportable quantity for that substance must be reported to the National Response Center and CDPHE. If the facility releases more of a substance than is allowed under its air permit, the facility must also report the release. Discharges of a substance that are within the allowable limits specified in the facility's permit do not need to be reported.

Regulated Storage Tanks

Owners and operators of regulated storage tank systems must report a release or suspected release of regulated substances to the Division of Oil and Public Safety at the Colorado Department of Labor and Employment within 24 hours. Under this program, the reportable quantity for petroleum releases is 25 gallons or more, or any amount that causes a sheen on nearby surface water. Spills of less than 25 gallons of petroleum must be immediately contained and cleaned up. If cleanup cannot be accomplished within 24 hours, the Division of Oil and Public Safety must be notified immediately.

Spills of hazardous substances from tanks in excess of the CERCLA or EPCRA reportable quantity must be reported immediately to the National Response Center, CDPHE and the local fire authority, and to the Division of Oil and Public Safety within 24 hours.

Transportation and Pipelines

The person in physical possession of a hazardous material must notify the National Response Center as soon as practical, but not to exceed 12 hours after the incident, if as a direct result of the hazardous material, a person is killed or injured, there is an evacuation of the general public lasting more than an hour, a major transportation artery is shut down for an hour or more, the flight pattern of an aircraft is altered, there is fire, spillage or suspected contamination

Description

Spills and leaks of solid and liquid materials processed, handled or stored outdoors can be a significant source of stormwater pollutants. Spilled substances can reach receiving waters when runoff washes these materials from impervious surfaces or when spills directly enter the storm sewer system during dry weather conditions.

Effective spill control includes both spill prevention and spill response measures and depends on proper employee training for spill response measures and may also include structural spill containment, particularly at industrial locations. Structural spill containment measures typically include temporary or permanent curbs or berms that surround a potential spill site. Berms may be constructed of concrete, earthen material, metal, synthetic liners, or other material that will safely contain the spill. Spill control devices may also include valves, slide gates, or other devices that can control and contain spilled material before it reaches the storm sewer system or receiving waters.



Photograph SPCC-1. Use of secondary containment around supplies stored outside helps to reduce the likelihood of spill and leaks reaching the storm sewer system in runoff. Photo courtesy of Tom Gore.

Appropriate Uses

Implement spill prevention, containment and control measures at municipal, commercial and industrial facilities in areas where materials may be spilled in quantities that may adversely impact receiving waters when discharged directly or through the storm sewer system. Check local, state, and/or federal regulations to determine when spill containment and control measures are required by law. Spill Prevention, Control and Countermeasures Plans may be required for certain facilities handling oil and hazardous substances under Section 311(j)(1)(C) of the federal Clean Water Act.

Practice Guidelines

Spill Prevention Measures

- Train employees on potential sources of pollution on-site and provide clear, common-sense spill prevention practices. Require that these practices be strictly followed.
- Identify equipment that may be exposed to stormwater, pollutants that may be generated and possible sources of leaks or discharges.
- Perform regular inspection and preventative maintenance of equipment to ensure proper operation and to check for leaks or evidence of discharge (stains). Provide clear procedures to ensure that needed repairs are completed and provide temporary leak containment until such repairs can be implemented.

Also See These BMP Fact Sheets

- Covering Storage/Handling Areas
- Good Housekeeping
- Vehicle Fueling, Maintenance, Washing & Storage
- Preventative Maintenance

S-2 Spill Prevention, Containment and Control

- Drain or replace motor oil and other automotive fluids in a designated area away from storm sewer inlets. Collect spent fluids and recycle or dispose of properly. Never dispose of these fluids in the storm sewer or sanitary sewer.
- In fueling areas, clean up spills with dry methods (absorbents) and use damp cloths on gas pumps and damp mops on paved surfaces. Never use a hose to “wash down” a fuel spill.
- Where practical, reduce stormwater contact with equipment and materials by implementing indoor or covered storage, implementing stormwater run-on control measures and following good housekeeping practices.

Identification of Spill Areas

Identify potential spill areas, potential spill volumes, material types, frequency of material use, and drainage paths from spill areas with relation to storm sewer inlets, adjacent waterbodies, structural BMPs, and containment structures. Use this information to determine the types of spill prevention and control measures needed specific to the site conditions. Examples of potential spill locations include:

- Loading and unloading areas
- Outdoor storage areas
- Outdoor manufacturing or processing activities
- Waste disposal/storage areas
- Areas that generate significant dust or particulates (that may be subsequently deposited on the ground)
- Salt piles
- Areas prone to spills based on past experience at the site
- Locations where other routine maintenance activities occur such as equipment maintenance and cleaning, pesticide/fertilizer application, etc.

Additionally, areas where smaller leaks may occur such as parking should also have basic spill cleanup procedures.

Material Handling Procedures

From a water quality perspective, the primary principle behind effective material handling practices is to minimize exposure to stormwater. This can be accomplished by storing the material indoors under weather-resistant covering, elevating the material off the ground by using pallets, and diverting stormwater around materials storage areas. Representative outdoor materials handling procedures include:

- Keep bulk solid materials such as raw materials, sand, gravel, topsoil, compost, concrete, packing materials, metal products and other materials covered and protected from stormwater.
- When practical, store materials on impermeable surfaces.
- Store hazardous materials according to federal, state, and local hazardous materials requirements.

- Adopt procedures that reduce the chance of spills or leaks during filling or transfer of materials.
- Substitute less toxic or non-toxic materials for toxic materials.
- Store containers that are easily punctured or damaged away from high traffic areas (i.e., adopt a materials flow/plant layout plan).
- Add waste-capture containers such as collection pans for lubricating fluids.
- Store drums and containers with liquid materials on impermeable surfaces and provide secondary containment where appropriate. Drums stored outdoors should be located on pallets to minimize contact with runoff.

Spill Response Procedures and Equipment

Spill response procedures should be tailored to site-specific conditions and industry-specific regulatory requirements. General spill response procedures include:

- Containment and cleanup of spills should begin promptly after the spill is observed.
- Sweep up small quantities of dry chemical or solids to reduce exposure to runoff. Shoveling may be used for larger quantities of materials.
- Absorbents should be readily accessible in fueling areas or other areas susceptible to spills.
- Wipe up small spills with a shop rag, store shop rags in appropriate containers, dispose of rags properly or use a professional industrial cleaning service.
- Contain medium-sized spills with absorbents (e.g., kitty litter, sawdust) and use inflatable berms or absorbent “snakes” as temporary booms for the spill. Store and dispose of absorbents properly. Wet/dry vacuums may also be used, but not for volatile fluids.
- Develop procedures and locations for containing and storing leaking containers.
- Install drip pans below minor equipment leaks and properly dispose of collected material until a repair can be made.
- For large spills, first contain the spill and plug storm drain inlets where the liquid may migrate off-site, then clean up the spill.
- Excavation of spill areas to removed contaminated material may be required where large liquid spills occur on unpaved surfaces.
- An inventory of cleanup materials should be maintained onsite and strategically located based on the types and quantities of chemicals present.

Structural Spill Containment Measures

Two general approaches are often used when implementing spill containment measures. The first approach is designed to contain the entire spill. The second approach uses curbing to route spilled material to a collection basin. Both containment berming and curbing should be sized to safely contain or convey to a collection basin a spill from the largest storage tank, rail car, tank truck, or other containment device in the possible spill area. The spill containment area must have an impermeable surface (e.g.,

S-2 Spill Prevention, Containment and Control

impermeable liner, asphalt or concrete) to prevent groundwater contamination. The containment system must be designed to enable collection and removal of spilled material through a pump or vacuum trucks, use of sorbent or gelling material, or other measures. Material removed from the spill area must be disposed of or recycled according to local, state, and federal standards.

If the capacity of the containment berming or the collection basin is exceeded, supplemental spill control measures should be available such as a portable containment device, sorbent materials, or gelling agents that eventually solidify the material. Water that collects within containment areas due to rainfall or snowmelt must be appropriately treated before release from the spill area.

Spill Plan Development

Many industries are required by federal law to have a Spill Prevention, Control and Countermeasures Plan (SPCC) that meets specific regulatory criteria when certain types and quantities of materials are used or processed at a site. These plans can be instrumental in developing a spill control plan for stormwater management purposes. Even if an SPCC plan is not legally required at a site, a spill control plan for stormwater management purposes may be necessary. Representative information appropriate for a spill control plan, building on concepts previously introduced in this Fact Sheet, includes:

- Site plan showing where materials are stored and handled, and where associated activities occur.
- Notification procedures to be used in the event of an accident
- Instructions for clean-up procedures.
- A designated person with spill response and clean-up authority.
- Training of key personnel in plan and clean-up procedures.
- Signs posted at critical locations providing a summary of SPCC plan information, phone numbers, contacts, equipment locations, etc.
- Provisions requiring spills to be cleaned up, corrective actions taken, or countermeasures implemented immediately.
- Provisions for absorbents to be made available for use in fuel areas, and for containers to be available for used absorbents.
- Prohibition on washing absorbents into the storm drainage system or into the sanitary sewer system via floor drains.
- Provision for emergency spill containment and clean-up kits in accessible and convenient locations. Kits should contain the appropriate clean-up materials applicable to the materials stored at the site.

Key Spill Notification Contacts in Colorado

- Colorado Department of Public Health and Environment Toll-Free 24-hour Environmental Emergency Spill Reporting Line: 1-877-518-5608
- National Response Center: 1-800-424-8802 (24-hour)
- Local Emergency Planning Committee (OEM): 303-273-162
- Division of Oil & Public Safety-Storage Tanks: 303-318-8547
- Oil and Gas Conservation Commission: 303-894-2100 or 1-888-235-1101 (toll-free spill/complaint line)

**APPENDIX D
CDPS PERMIT APPLICATION**

STATE OF COLORADO

COLORADO DEPARTMENT OF PUBLIC HEALTH AND ENVIRONMENT

Dedicated to protecting and improving the health and environment of the people of Colorado

Water Quality Control Division
4300 Cherry Creek Drive South
WQCD-WQPS-B2
Denver, CO 80246-1530
(303) 692-3500 www.coloradowaterpermits.com



For Agency Use Only

Permit Number Assigned

COR03-_____

Date Received ____/____/____
MM DD YYYY

COLORADO DISCHARGE PERMIT SYSTEM (CDPS)

STORMWATER DISCHARGE ASSOCIATED WITH CONSTRUCTION ACTIVITIES APPLICATION

PHOTO COPIES, FAXED COPIES, PDF COPIES OR EMAILS WILL NOT BE ACCEPTED.

Please print or type. Original signatures are required.

All items must be completed accurately and in their entirety for the application to be deemed complete. Incomplete applications will not be processed until all information is received which will ultimately delay the issuance of a permit. If more space is required to answer any question, please attach additional sheets to the application form. Applications must be submitted by mail or hand delivered to:

Colorado Department of Public Health and Environment
Water Quality Control Division
4300 Cherry Creek Drive South
WQCD-WQPS-B2
Denver, CO 80246-1530

Any additional information that you would like the Division to consider in developing the permit should be provided with the application. Examples include effluent data and/or modeling and planned pollutant removal strategies.

HOW TO COMPLETE THIS APPLICATION

1. Online via web browser. You must use Internet Explorer (version 8 and above). All other browsers disable the electronic submission features.

OR

2. Download and save this form to your computer. Then open Adobe Reader (or Acrobat), select File, then Open and navigate to where the form is saved. This is the best option if using a Mac computer (Do not use the Mac Preview program).

PERMIT INFORMATION

Reason for Application: NEW CERT RENEW CERT EXISTING CERT# _____

Applicant is: Property Owner Contractor/Operator

A. CONTACT INFORMATION—NOT ALL CONTACTS MAY APPLY *indicates required

* PERMITTEE (if more than one please add additional pages)

* ORGANIZATION FORMAL NAME: _____

1) * PERMITTEE CONTACT the person **authorized to sign and certify** the permit application.

This person receives all permit correspondences and is the person **responsible** for ensuring compliance with the permit.

Responsible Person (Title): _____

Currently Held By (Person): FirstName: _____ LastName: _____

Telephone: _____ Email Address: _____

Organization: _____

Mailing Address: _____

City: _____ State: _____ Zip Code: _____

This form must be signed by the Permittee (listed in item 1) to be considered complete.

Per Regulation 61 In all cases, it shall be signed as follows:

In the case of corporations, by a responsible corporate officer. For the purposes of this section, the responsible corporate officer is responsible for the overall operation of the facility from which the discharge described in the application originates.

In the case of a partnership, by a general partner.

In the case of a sole proprietorship, by the proprietor.

In the case of a municipal, state, or other public facility, by either a principal executive officer or ranking elected official.

2) **DMR COGNIZANT OFFICIAL (i.e. authorized agent)** the person or position authorized to **sign and certify reports required by the Division** including Discharge Monitoring Reports *DMR's, Annual Reports, Compliance Schedule submittals, and other information requested by the Division. The Division will transmit pre-printed reports (ie. DMR's) to this person. If more than one, please add additional pages.

Same as 1) Permittee

Responsible Person (Title): _____

Currently Held By (Person): FirstName: _____ LastName: _____

Telephone: _____ Email Address: _____

Organization: _____

Mailing Address: _____

City: _____ State: _____ Zip Code: _____

Per Regulation 61 : All reports required by permits, and other information requested by the Division shall be signed by the permittee or by a duly authorized representative of that person. A person is a duly authorized representative only if:

- i. The authorization is made in writing by the permittee.
- ii. The authorization specifies either an individual or a position having responsibility for the overall operation of the regulated facility or activity such as the position of plant manager, operator of a well or a well field, superintendent, position of equivalent responsibility, or an individual or position having overall responsibility for environmental matters for the company. (A duly authorized representative may thus be either a **named individual** or any individual occupying a **named position**); and
- iii. The written authorization is submitted to the Division.

3) ***SITE CONTACT** local contact for questions relating to the facility & discharge authorized by this permit

Same as 1) Permittee

Responsible Person (Title): _____

Currently Held By (Person): FirstName: _____ LastName: _____

Telephone: _____ Email Address: _____

Organization: _____

Mailing Address: _____

City: _____ State: _____ Zip Code: _____

4) ***BILLING CONTACT** if different than the permittee.

Same as 1) Permittee

Responsible Person (Title): _____

Currently Held By (Person): FirstName: _____ LastName: _____

Telephone: _____ Email Address: _____

Organization: _____

Mailing Address: _____

City: _____ State: _____ Zip Code: _____

5) OTHER CONTACT TYPES (check below) Add pages if necessary:

Responsible Person (Title): _____

Currently Held By (Person): _____ LastName: _____

Telephone: _____ Email Address: _____

Organization: _____

Mailing Address: _____

City: _____ State: _____ Zip Code: _____

- Pretreatment Coordinator
- Environmental Contact
- Biosolids Responsible Party
- Other: _____
- Property Owner
- Inspection Facility Contact
- Consultant
- Compliance Contact
- Stormwater MS4 Responsible Person
- Stormwater Authorized Representative

B) PERMITTED PROJECT/FACILITY INFORMATION

Project/Facility Name _____

Street Address or Cross Streets _____

(e.g., "S. of Park St. between 5th Ave. and 10th Ave.", or "W. side of C.R. 21, 3.25 miles N. of Hwy 10"; A street name without an address, intersection, mile marker, or other identifying information describing the location of the project is not adequate. For **linear projects**, the route of the project should be described as best as possible with the location more accurately indicated by a map.)

City: _____ Zip Code: _____ County: _____

Facility Latitude/Longitude - (approximate center of site to nearest 15 seconds using one of the following formats)

Decimal Degrees

OR 001A Latitude _____ . _____ 001A Longitude _____ . _____ (e.g., 39.703°, 104.933°)
Degrees (to 3 decimal places) Degrees (to 3 decimal places)

Degrees, Minutes, Seconds

001A Latitude _____ ° _____ ' _____ " 001A Longitude _____ ° _____ ' _____ " e.g., 39°46'11"N, 104°53'11"W
Degrees Minutes Seconds Degrees Minutes Seconds

For the approximate center point of the property, to the nearest 15 seconds. The latitude and longitude must be provided as either degrees, minutes, and seconds, or in decimal degrees with three decimal places. This information may be obtained from a variety of sources, including:

- **Surveyors or engineers** for the project should have, or be able to calculate, this information.
- EPA maintains a **web-based siting tool** as part of their Toxic Release Inventory program that uses interactive maps and aerial photography to help users get latitude and longitude. The siting tool can be accessed at www.epa.gov/tri/report/siting_tool/index.htm
- **U.S. Geological Survey topographical map(s)**, available at area map stores.
- Using a **Global Positioning System (GPS) unit** to obtain a direct reading.

Note: the latitude/longitude required above is not the directional degrees, minutes, and seconds provided on a site legal description to define property boundaries.

C) MAP (Attachment) If no map is submitted, the permit will not be issued Facility Information

Map: Attach a map that indicates the site location and that CLEARLY shows the boundaries of the area that will be disturbed. Maps must be **no larger** than 11x17 inches.

D) LEGAL DESCRIPTION

Legal description: If subdivided, provide the legal description below, or indicate that it is not applicable (**do not** supply Township/Range/Section or metes and bounds description of site)

Subdivision(s): _____ Lot(s): _____ Block(s) _____

OR Not applicable (site has not been subdivided)

E) AREA OF CONSTRUCTION SITE

Total area of project site _____ Area of project site to undergo disturbance _____

Note: aside from clearing, grading and excavation activities, disturbed areas also include areas receiving overburden (e.g., stockpiles), demolition areas, and areas with heavy equipment/vehicle traffic and storage that disturb existing vegetative cover

Total disturbed area of Larger Common Plan of Development or Sale. If applicable: _____

(i.e., total, including all phases, filings, lots, and infrastructure not covered by this application)

Provide both the total area of the construction site, and the area that will undergo disturbance, in acres. **Note:** aside from clearing, grading and excavation activities, disturbed areas also include areas receiving overburden (e.g., stockpiles), demolition areas, and areas with heavy equipment/vehicle traffic and storage that disturb existing vegetative cover (see construction activity description under the APPLICABILITY section on page 1). If the project is part of a **larger common plan of development or sale** (see the definition under the APPLICABILITY section on page 1), the disturbed area of the total plan must also be included.

F) NATURE OF CONSTRUCTION ACTIVITY

Check the appropriate box(s) or provide a brief description that indicates the general nature of the construction activities. (The full description of activities must be included in the Stormwater Management Plan.)

- Single Family Residential Development
- Multi-Family Residential Development
- Commercial Development
- Oil and Gas Production and/or Exploration (including pad sites and associated infrastructure)
- Highway/Road Development (not including roadways associated with commercial or residential development)
- Other—Description: _____

G) ANTICIPATED CONSTRUCTION SCHEDULE

Construction Start Date: _____ Final Stabilization Date: _____

- *Construction Start Date* - This is the day you expect to begin ground disturbing activities, including grubbing, stockpiling, excavating, demolition, and grading activities.
- *Final Stabilization Date* - in terms of permit coverage, this is when the site is finally stabilized. This means that all ground surface disturbing activities at the site have been completed, and all disturbed areas have been either built on, paved, or a uniform vegetative cover has been established with an individual plant density of at least 70 percent of pre-disturbance levels. **Permit coverage must be maintained until the site is finally stabilized. Even if you are only doing one part of the project, the estimated final stabilization date must be for the overall project.** If permit coverage is still required once your part is completed, the permit certification may be transferred or reassigned to a new responsible entity(s).

H) RECEIVING WATERS (If discharge is to a ditch or storm sewer, include the name of the ultimate receiving waters)

Immediate Receiving Water(s): _____

Ultimate Receiving Water(s): _____

Identify the receiving water of the stormwater from your site. Receiving waters are any waters of the State of Colorado. This includes all water courses, even if they are usually dry. If stormwater from the construction site enters a ditch or storm sewer system, identify that system and indicate the ultimate receiving water for the ditch or storm sewer. **Note:** a stormwater discharge permit does not allow a discharge into a ditch or storm sewer system without the approval of the owner/operator of that system.

I) SIGNATURE PAGE

1. You may print and sign this document and mail the hard copy to the State along with required documents.

OR

2. **Electronic Submission Signature**

You may choose to submit your application electronically, along with required attachments. To do so, click the SUBMIT button below which will direct you, via e-mail, to sign the document electronically using the DocuSign Electronic Signature process. Once complete, you will receive, again via e-mail, an electronically stamped Adobe pdf of this application. Print the signature page from the electronically stamped pdf, sign it and mail it to the WQCD Permits Section to complete the application process (address is on page 1 of the application).

- **The Division encourages use of the electronic submission of the application and electronic signature. This method meets signature requirements as required by the State of Colorado.**
- **The ink signed copy of the electronically stamped pdf signature page is also required. This requirement meets Federal EPA Requirements. Processing of the application will begin with the receipt of the valid electronic signature.**

STORMWATER MANAGEMENT PLAN CERTIFICATION

"I certify under penalty of law that a complete Stormwater Management Plan, as described in Appendix B of this application, has been prepared for my activity. Based on my inquiry of the person or persons who manage the system, or those persons directly responsible for gathering the information, the Stormwater Management Plan is, to the best of my knowledge and belief, true, accurate, and complete. I am aware that there are significant penalties for falsely certifying the completion of said SWMP, including the possibility of fine and imprisonment for knowing violations."

"I certify under penalty of law that this document and all attachments were prepared under my direction or supervision in accordance with a system designed to assure that qualified personnel properly gather and evaluate the information submitted. Based on my inquiry of the person or persons who manage the system, or those persons directly responsible for gathering the information, the information submitted is to the best of my knowledge and belief, true, accurate and complete. I am aware that there are significant penalties for submitting false information, including the possibility of fine and imprisonment for knowing violations."

"I understand that submittal of this application is for coverage under the State of Colorado General Permit for Stormwater Discharges Associated with Construction Activity **for the entirety of the construction site/project described and applied for, until such time as the application is amended or the certification is transferred, inactivated, or expired.**" [Reg 61.4(1)(h)]

For DocuSign
Electronic Signature _____ Ink Signature _____ Date: _____
Signature of Legally Responsible Person or Authorized Agent (submission must include original signature)

Name (printed) Title

This form must be signed by the Permittee to be considered complete. **Per Regulation 61 In all cases**, it shall be signed as follows:

- In the case of corporations, by a responsible corporate officer. For the purposes of this section, the responsible corporate officer is responsible for the over all operation of the facility from which the discharge described in the application originates.
- In the case of a partnership, by a general partner.
- In the case of a sole proprietorship, by the proprietor.
- In the case of a municipal, state, or other public facility, by either a principal executive officer or ranking elected official

3rd Party Preparer: If this form was prepared by an authorized agent on behalf of the Permittee, please complete the fields below.

Preparer Name (printed) Email Address

**DO NOT INCLUDE A COPY OF THE STORMWATER MANAGEMENT PLAN
DO NOT INCLUDE PAYMENT—AN INVOICE WILL BE SENT AFTER THE CERTIFICATION IS ISSUED.**

**APPENDIX E
SAMPLE FORMS**

Corrective Action Report Form – Field Version

Purpose

This Corrective Action Report Form is designed to assist you in preparing corrective action reports for EPA's 2012 Construction General Permit (CGP). If you are covered under EPA's 2012 CGP, this form will enable you to create a corrective action report that complies with the minimum reporting requirements of Part 5.4 of the permit.

You are only required to fill out this form if one of the corrective action triggering conditions in Part 5.2.1 or 5.3 occurs on your site. Routine maintenance and repairs are generally not considered to be a corrective action triggering condition. Corrective actions are triggered only for specific, more serious conditions that are identified below in the "Overview of Corrective Action Requirements."

If you are covered under a state CGP, this form may be helpful in developing a report that can be used for that permit; however it will need to be modified to meet the specific requirements of the permit. If your permitting authority requires you to use a specific corrective action report form, you should not use this form.

Notes

While EPA has made every effort to ensure the accuracy of all instructions and guidance contained in the Corrective Action Report Form, the actual obligations of regulated construction activities are determined by the relevant provisions of the permit, not by the form. In the event of a conflict between the Corrective Action Report Form and any corresponding provision of the 2012 CGP, you must abide by the requirements in the permit. EPA welcomes comments on the Corrective Action Report Form at any time and will consider those comments in any future revision of this document. You may contact EPA for CGP-related inquiries at cgp@epa.gov.

Overview of Corrective Action Requirements

Construction operators covered under the 2012 CGP are required to conduct corrective actions and report on progress made in correcting the problem condition(s) in accordance with the following requirements:

Corrective Action Triggering Conditions (Parts 5.2.1 and 5.3)

Corrective action is required whenever any of the following conditions occur at your site:

- A required stormwater control was never installed, was installed incorrectly, or not in accordance with the requirements in Part 2 and/or 3;
- The stormwater controls (e.g., erosion and sediment controls or pollution prevention controls) that have been installed and maintained are not effective enough for the discharge to meet applicable water quality standards or applicable requirements in Part 3.1 of the permit;
- A Part 2.3.1 prohibited discharge has occurred or is occurring; or
- Any corrective actions required by EPA as a result of permit violations found during an inspection carried out under Part 4.2.

Deadlines for Completing Corrective Actions (Part 5.2.1)

You must complete corrective action (e.g., installing and making operational any new or modified control, correcting errors in installation, preventing, mitigating, or cleaning up spills or leaks making repairs) by no later than 7 calendar days from the time of discovery of the condition. If infeasible to complete the installation or repair within 7 calendar days, you must document why it is infeasible and document your schedule for completing the corrective action as soon as practicable.

Deadlines for Documenting Corrective Actions in a Report (Part 5.4)

You are required to complete a corrective action report for each of corrective action you take in accordance with the following deadlines.

- Within 24 hours of discovering the occurrence of a corrective action triggering condition, you must document the following:
 - The condition identified at your site;

- The nature of the condition identified; and
 - The date and time of the condition identified and how it was identified
- Within 7 calendar days of discovering a triggering condition, you must document the following:
 - Any follow-up actions taken to review the design, installation, and maintenance of stormwater controls, including the dates such actions occurred;
 - A summary of stormwater controls modifications taken or to be taken, including a schedule of activities necessary to implement changes, and the date the modifications are completed or expected to be completed; and
 - Notice of whether SWPPP modifications are required as a result of the condition identified or corrective action.

Instructions for Using This Report Form

This Field Version of the Corrective Action Report Form is intended to be used in the field and filled out by hand. If you will be filling out the Corrective Action Report Form electronically (i.e., you will be typing in your findings), please use the Electronic Version of the Corrective Action Report Form available at www.epa.gov/npdes/stormwater/swppp. The Electronic Version includes text fields with instructions for what to enter.

The following tips for using this form will help you ensure that the minimum permit requirements are met:

- **Review the corrective action requirements.** Before you fill out this corrective action report form, read the CGP's Part 5 corrective action requirements. This will ensure that you have a working understanding of the permit's underlying corrective action requirements.
- **Complete a separate report for each condition that triggers corrective action.** For each triggering condition on your site, you will need to fill out a separate corrective action report form.
- **Complete all required text fields.** Fill out all text fields. Only by filling out all fields will the form be compliant with the requirements of the permit. (Note: Where you do not need the number of rows provided in the corrective action report form, you leave those rows blank. Or, if you need more space to document your findings, you may add an additional sheet.)
- **Sign and certify each corrective action report.** Each corrective action report form must be signed and certified by the permittee to be considered complete. Where your corrective actions are carried out by a contractor or subcontractor, it is recommended that you also have the form signed and certified by the inspector, in addition to the signature and certification required of the permitted operator. The form includes a signature block for both parties.
- **Include the corrective action report form with your SWPPP.** Once your form is complete, make sure to include a copy of the corrective action report form in your SWPPP in accordance with Part 7.2.12.4 of the CGP.
- **Retain copies of all corrective action reports with your records.** You must retain copies of your corrective action reports in your records in accordance with the requirements in Part 5.4.4 of the 2012 CGP. These reports must be retained for at least 3 years from the date your permit coverage expires or is terminated.

Section-by-Section Instructions

You will find specific instructions corresponding to each section of the report form on the reverse side of each page. These instructions were written in order to provide you with more details in terms of what EPA expects to be documented in these reports.

Section A – Initial Report (CGP Part 5.4.1)

(Complete this section within 24 hours of discovering the condition that triggered corrective action)

Name of Project		CGP Tracking No.		Today's Date	
Date Problem First Discovered		Time Problem First Discovered			
Name and Contact Information of Individual Completing this Form					

What site conditions triggered the requirement to conduct corrective action *(check the box that applies):*

- A required stormwater control was never installed, was installed incorrectly, or not in accordance with the requirements in Part 2 and/or 3
- The stormwater controls that have been installed and maintained are not effective enough for the discharge to meet applicable water quality standards or applicable requirements in Part 3.1 of the permit
- A Part 2.3.1 prohibited discharge has occurred or is occurring
- EPA requires corrective action as a result of permit violations found during an EPA inspection carried out under Part 4.2

Provide a description of the problem:

Deadline for completing corrective action *(Enter date that is either: (1) no more than 7 calendar days after the date you discovered the problem, or (2) if it is infeasible to complete work within the first 7 days, enter the date that is as soon as practicable following the 7th day):*

If your estimated date of completion falls after the 7-day deadline, explain (1) why you believe it is infeasible to complete work within 7 days, and (2) why the date you have established for making the new or modified stormwater control operational is the soonest practicable timeframe:

Section B – Corrective Action Progress (CGP Part 5.4.2)

(Complete this section no later than 7 calendar days after discovering the condition that triggered corrective action)

Section B.1 – Why the Problem Occurred

Cause(s) of Problem (Add an additional sheet if necessary)	How This Was Determined and the Date You Determined the Cause
1.	1.
2.	2.

Section B.2 – Stormwater Control Modifications to be Implemented to Correct the Problem

List of Stormwater Control Modification(s) Needed to Correct Problem (Add an additional sheet if necessary)	Date of Completion	SWPPP Update Necessary?	Notes
1.		<input type="checkbox"/> Yes <input type="checkbox"/> No If yes, provide date SWPPP modified:	
2.		<input type="checkbox"/> Yes <input type="checkbox"/> No If yes, provide date SWPPP modified:	

Instructions for Filling Out the Initial Report (Section A)

You must complete Section A of the report form within 24 hours of discovering the condition that triggered corrective action

Name of Project

Enter the name for the project.

CGP Tracking No.

Enter the tracking number that was assigned to your NOI application for permit coverage.

Today's Date

Enter the date you completed this form.

Date/Time Problem First Discovered

Specify the date on which the triggering condition was first discovered. Also specify the time of the discovery.

Name/Contact Information

Provide the individual's name, title, and contact information as directed in the form.

Site Condition That Triggered Corrective Action

Under the CGP, corrective action is required when one of 3 triggering conditions occurs at your site. See CGP Parts 5.2.1 and 5.3. Check the box that corresponds to the condition that triggered this corrective action.

Description of the Site Condition

Provide a summary description of the condition you found that triggered corrective action under CGP Part 5.2.1 and the specific location where it was found. Be as specific as possible about the location; it is recommended that you refer to a precise point on your site map. If you have already provided this explanation in an inspection report, you can refer to that report.

Deadline for Completing Corrective Action

This deadline is fixed in CGP Part 5.2.1. For all projects, the deadline is either: (1) no more than 7 calendar days after the date you discovered the problem, or (2) if it is infeasible to complete work within the first 7 days, as soon as practicable following the 7th day. If your estimated date of completion falls after the 7-day deadline consistent with (2), above, explain (a) why you believe it is infeasible to complete work within 7 days, and (b) why the date you have established for making the new or modified stormwater control operational is the soonest practicable timeframe:

Instructions for Filling Out the Corrective Action Progress Table (Section B)

You must complete Section B of the report form no later than 7 calendar days after discovering the condition that triggered corrective action.

Section B.1 – Why the Problem Occurred

After you have had the opportunity to examine the problem more closely, provide details as to what you believe to be the cause of the problem, and specify the follow-up actions you took (along with the dates of such actions) to diagnose the problem. This is consistent with CGP Part 5.4.2.1.

Section B.2 – Stormwater Control Modifications to be Implemented

Provide a list of modifications you plan to make to your stormwater controls to correct the problem and the date you completed such work. Keep in mind that your work must be completed within the timeline specified in Section A for the completion of corrective action work.

Also, if a SWPPP modification is necessary consistent with Part 7.4.1.1 in order to reflect changes implemented at your site, indicate the date you modified your SWPPP. Keep in mind that SWPPP changes must be made within 7 days of discovering the problem that triggered this corrective action.

Space is provided for you to include additional notes or observations regarding the change that you implemented at your site to correct the problem.

Section C – Certification and Signature (CGP Part 5.4.3)

Section C.1 – Certification and Signature by Contractor or Subcontractor

"I certify under penalty of law that this document and all attachments were prepared under my direction or supervision in accordance with a system designed to assure that qualified personnel properly gathered and evaluated the information submitted. Based on my inquiry of the person or persons who manage the system, or those persons directly responsible for gathering the information, the information submitted is, to the best of my knowledge and belief, true, accurate, and complete. I am aware that there are significant penalties for submitting false information, including the possibility of fine and imprisonment for knowing violations."

Signature of Contractor or Subcontractor: _____ **Date:** _____

Printed Name and Affiliation: _____

Section C.2 – Certification and Signature by Permittee

"I certify under penalty of law that this document and all attachments were prepared under my direction or supervision in accordance with a system designed to assure that qualified personnel properly gathered and evaluated the information submitted. Based on my inquiry of the person or persons who manage the system, or those persons directly responsible for gathering the information, the information submitted is, to the best of my knowledge and belief, true, accurate, and complete. I am aware that there are significant penalties for submitting false information, including the possibility of fine and imprisonment for knowing violations."

**Signature of Permittee or
"Duly Authorized Representative":** _____ **Date:** _____

Printed Name and Affiliation: _____

Instructions for Signature and Certification (Section C)

Each corrective action report must be signed and certified to be considered complete.

Section C.1 – Contractor or Subcontractor Signature and Certification

Where a contractor or subcontractor is relied on to complete this report and the associated corrective action, you should require the individual(s) to sign and certify each report. Note that this does not relieve you of the requirement to sign and certify the report as well.

Section C.2 – Signature and Certification by Permittee

At a minimum, the corrective action report form must be signed by either (1) the person who signed the NOI, or (2) a duly authorized representative of that person. The following requirements apply to scenarios (1) and (2):

If the signatory will be the person who signed the NOI for permit coverage, as a reminder, that person must be one of the following types of individuals:

- *For a corporation:* A responsible corporate officer. For the purpose of this subsection, a responsible corporate officer means: (i) a president, secretary, treasurer, or vice-president of the corporation in charge of a principal business function, or any other person who performs similar policy- or decision-making functions for the corporation, or (ii) the manager of one or more manufacturing, production, or operating facilities, provided, the manager is authorized to make management decisions which govern the operation of the regulated facility including having the explicit or implicit duty of making major capital investment recommendations, and initiating and directing other comprehensive measures to assure long term environmental compliance with environmental laws and regulations; the manager can ensure that the necessary systems are established or actions taken to gather complete and accurate information for permit application requirements; and where authority to sign documents has been assigned or delegated to the manager in accordance with corporate procedures.
- *For a partnership or sole proprietorship:* A general partner or the proprietor, respectively.
- *For a municipality, state, federal, or other public agency:* Either a principal executive officer or ranking elected official. For purposes of this subsection, a principal executive officer of a federal agency includes (i) the chief executive officer of the agency, or (ii) a senior executive officer having responsibility for the overall operations of a principal geographic unit of the agency (e.g., Regional Administrator of EPA).

If the signatory will be a duly authorized representative, the following requirements must be met:

- The authorization is made in writing by the person who signed the NOI (see above);
- The authorization specifies either an individual or a position having responsibility for the overall operation of the regulated facility or activity such as the position of plant manager, operator of a well or a well field, superintendent, position of equivalent responsibility, or an individual or position having overall responsibility for environmental matters for the company. (A duly authorized representative may thus be either a named individual or any individual occupying a named position); and
- The signed and dated written authorization is included in the SWPPP. A copy must be submitted to EPA, if requested.

Inspection Report Template – Field Version

Purpose

This Inspection Report Template (or “template”) was designed to assist you in preparing inspection reports for EPA’s 2012 Construction General Permit (CGP). If you are covered under the 2012 CGP, this template will enable you to create an inspection report form that is customized to the specific circumstances of your project and that complies with the minimum reporting requirements of Part 4.1.7 of the permit. Note that the use of this form is optional; you may use your own inspection report form provided it includes the minimum information required in Part 4.1.7 of the CGP.

If you are covered under a state CGP, this template may be helpful in developing a form that can be used for that permit; however it will need to be modified to meet the specific requirements of that permit. If your permitting authority requires you to use a specific inspection report form, you should not use this form.

Notes:

While EPA has made every effort to ensure the accuracy of all instructions and guidance contained in the Inspection Report Template, the actual obligations of regulated construction activities are determined by the relevant provisions of the permit, not by the template. In the event of a conflict between the Inspection Report Template and any corresponding provision of the 2012 CGP, you must abide by the requirements in the permit. EPA welcomes comments on the Inspection Report Template at any time and will consider those comments in any future revision of this document. You may contact EPA for CGP-related inquiries at cgp@epa.gov.

Overview of Inspection Requirements

Construction operators covered under the 2012 CGP are subject to the following requirements in Part 4:

Inspection Frequency (see Part 4.1.4)

You are required to conduct inspections either:

- Once every 7 calendar days; or
- Once every 14 calendar days and within 24 hours of a storm event of 0.25 inches or greater.

Your inspection frequency is increased if the site discharges to a sensitive water. See Part 4.1.3. Your inspection frequency may be decreased to account for stabilized areas, or for arid, semi-arid, or drought-stricken conditions, or for frozen conditions. See Part 4.1.4.

Areas That Need to Be Inspected (see Part 4.1.5)

During each inspection, you must inspect the following areas of your site:

- Cleared, graded, or excavated areas of the site;
- Stormwater controls (e.g., perimeter controls, sediment basins, inlets, exit points etc.) and pollution prevention practices (e.g., pollution prevention practices for vehicle fueling/maintenance and washing, construction product storage, handling, and disposal, etc.) at the site;
- Material, waste, or borrow areas covered by the permit, and equipment storage and maintenance areas;
- Areas where stormwater flows within the site;
- Stormwater discharge points; and
- Areas where stabilization has been implemented.

What to Check For During Your Inspection (see Part 4.1.6)

During your site inspection, you are required to check:

- Whether stormwater controls or pollution prevention practices require maintenance or corrective action, or whether new or modified controls are required;
- For the presence of conditions that could lead to spills, leaks, or other pollutant accumulations and discharges;
- Whether there are visible signs of erosion and sediment accumulation at points of discharge and to the channels and streambanks that are in the immediate vicinity of the discharge;
- If a stormwater discharge is occurring at the time of the inspection, whether there are obvious, visual signs of pollutant discharges; and
- If any permit violations have occurred on the site.

Inspection Reports (see Part 4.1.7)

Within 24 hours of completing each inspection, you are required to complete an inspection report that includes:

- Date of inspection;
- Names and titles of persons conducting the inspection;
- Summary of inspection findings;
- Rain gauge or weather station readings if your inspection is triggered by the 0.25 inch storm threshold; and
- If you determine that a portion of your site is unsafe to access for the inspection, documentation of what conditions prevented the inspection and where these conditions occurred on the site

Instructions for Using This Template

This Field Version of the Inspection Report Template is intended to be used in the field and filled out by hand. If you will be filling out the Inspection Report Template electronically (i.e., you will be typing in your findings), please use the Electronic Version of the Inspection Report Template available at www.epa.gov/npdes/stormwater/swppp. The Electronic Version includes text fields with instructions for what to enter.

Keep in mind that this document is a template and not an "off-the-shelf" inspection report that is ready to use without some modification. You must first customize this form to include the specifics of your project in order for it to be useable for your inspection reports. Once you have entered all of your site-specific information into these fields, you may print out this form for use in the field to complete inspection reports.

The following tips for using this template will help you ensure that the minimum permit requirements are met:

- **Review the inspection requirements.** Before you start developing your inspection report form, read the CGP's Part 4 inspection requirements. This will ensure that you have a working understanding of the permit's underlying inspection requirements.
- **Complete all required text fields.** Fill out all text fields. Only by filling out all fields will the template be compliant with the requirements of the permit. (Note: Where you do not need the number of rows provided in the template form for your inspection, you may leave those rows blank. Or, if you need more space to document your findings, you may add an additional sheet.)
- **Use your site map to document inspection findings.** In several places in the template, you are directed to specify the location of certain features of your site, including where stormwater controls are installed and where you will be stabilizing exposed soil. You are also asked to fill in location information for unsafe conditions and the locations of any discharges occurring during your inspections. Where you are asked for location information, EPA encourages you to reference the point on your SWPPP site map that corresponds to the requested location on the inspection form. Using the site map as a tool in this way will help you conduct efficient inspections, will assist you in evaluating problems found, and will ensure proper documentation.
- **Sign and certify each inspection report.** Each inspection report must be signed and certified by the permittee to be considered complete. Where your inspections are carried out by a contractor or subcontractor, it is recommended that you also have the form signed and certified by the inspector, in addition to the signature and certification required of the permitted operator. The template includes a signature block for both parties.
- **Include the inspection form with your SWPPP.** Once your form is complete, make sure to include a copy of the inspection form in your SWPPP in accordance with Part 7.2.12.4 of the CGP.
- **Retain copies of all inspection reports with your records.** You must also retain in your records copies of all inspection reports in accordance with the requirements in Part 4.1.7.3 of the 2012 CGP. These reports must be retained for at least 3 years from the date your permit coverage expires or is terminated.

Section-by-Section Instructions

You will find specific instructions corresponding to each section of the report form on the reverse side of each page. These instructions provide you with more details in terms of what EPA expects to be documented in these reports.

General Information
(see reverse for instructions)

Name of Project	CGP Tracking No.	Inspection Date
------------------------	-------------------------	------------------------

Inspector Name, Title & Contact Information	
--	--

Present Phase of Construction	
--------------------------------------	--

Inspection Location (if multiple inspections are required, specify location where this inspection is being conducted)	
--	--

Inspection Frequency *(Note: you may be subject to different inspection frequencies in different areas of the site. Check all that apply.)*

Standard Frequency: Weekly Every 14 days and within 24 hours of a 0.25" rain

Increased Frequency: Every 7 days and within 24 hours of a 0.25" rain (for areas of sites discharging to sediment or nutrient-impaired waters or to waters designated as Tier 2, Tier 2.5, or Tier 3)

Reduced Frequency:

- Once per month (for stabilized areas)
- Once per month and within 24 hours of a 0.25" rain (for arid, semi-arid, or drought-stricken areas during seasonally dry periods or during drought)
- Once per month (for frozen conditions where earth-disturbing activities are being conducted)

Was this inspection triggered by a 0.25" storm event? Yes No

If yes, how did you determined whether a 0.25" storm event has occurred?

Rain gauge on site Weather station representative of site. Specify weather station source:

Total rainfall amount that triggered the inspection (in inches):

Unsafe Conditions for Inspection

Did you determine that any portion of your site was unsafe for inspection per CGP Part 4.1.5? Yes No

If "yes", complete the following:

- Describe the conditions that prevented you from conducting the inspection in this location:

- Location(s) where conditions were found:

Instructions for Filling Out “General Information” Section

Name of Project

Enter the name for the project.

CGP Tracking No.

Enter the tracking number that was assigned to your NOI application for permit coverage.

Inspection Date

Enter the date you conducted the inspection.

Inspector Name, Title & Contact Information

Provide the name of the person(s) (either a member of your company's staff or a contractor or subcontractor) that conducted this inspection. Provide the inspector's name, title, and contact information as directed in the form.

Present Phase of Construction

If this project is being completed in more than one phase, indicate which phase it is currently in.

Inspection Location

If your project has multiple locations where you conduct separate inspections, specify the location where this inspection is being conducted. If only one inspection is conducted for your entire project, enter "Entire Site." If necessary, complete additional inspection report forms for each separate inspection location.

Inspection Frequency

Check the box that describes the inspection frequency that applies to you. Note that you may be subject to different inspection frequencies in different areas of your site. If your project does not discharge to a "sensitive water" (i.e., a water impaired for sediment or nutrients, or listed as Tier 2, 2.5, or 3 by your state or tribe) and you are not affected by any of the circumstances described in CGP Part 4.1.4, then you can choose your frequency based on CGP Part 4.1.2 – either weekly, or every other week and within 24 hrs of a 0.25 in storm event. For any portion of your site that discharges to a sensitive water, your inspection frequency for that area is fixed under CGP Part 4.1.3 at weekly and within 24 hrs of a 0.25 inch storm event. If portions of your site are stabilized, are located in arid, semi-arid, or drought-stricken areas, or are subject to frozen conditions, consult CGP Part 4.1.4 for the applicable inspection frequency. Check all the inspection frequencies that apply to your project.

Was This Inspection Triggered by a 0.25 Inch Storm Event?

If you were required to conduct this inspection because of a 0.25 inch (or greater) rain event, indicate whether you relied on an on-site rain gauge or a nearby weather station (and where the weather station is located). Also, specify the total amount of rainfall for this specific storm event.

Unsafe Conditions for Inspection

Inspections are not required where a portion of the site or the entire site is subject to unsafe conditions. See CGP Part 4.1.5. These conditions should not regularly occur, and should not be consistently present on a site. Generally, unsafe conditions are those that render the site (or a portion of it) inaccessible or that would pose a significant probability of injury to applicable personnel. Examples could include severe storm or flood conditions, high winds, and downed electrical wires.

If your site, or a portion of it, is affected by unsafe conditions during the time of your inspection, provide a description of the conditions that prevented you from conducting the inspection and what parts of the site were affected. If the entire site was considered unsafe, specify the location as "Entire site"

Condition and Effectiveness of Erosion and Sediment (E&S) Controls (CGP Part 2.1)

(see reverse for instructions)

Type/Location of E&S Control [Add an additional sheet if necessary]	Repairs or Other Maintenance Needed?*	Corrective Action Required?*	Date on Which Maintenance or Corrective Action First Identified?	Notes
1.	<input type="checkbox"/> Yes <input type="checkbox"/> No	<input type="checkbox"/> Yes <input type="checkbox"/> No		
2.	<input type="checkbox"/> Yes <input type="checkbox"/> No	<input type="checkbox"/> Yes <input type="checkbox"/> No		
3.	<input type="checkbox"/> Yes <input type="checkbox"/> No	<input type="checkbox"/> Yes <input type="checkbox"/> No		
4.	<input type="checkbox"/> Yes <input type="checkbox"/> No	<input type="checkbox"/> Yes <input type="checkbox"/> No		
5.	<input type="checkbox"/> Yes <input type="checkbox"/> No	<input type="checkbox"/> Yes <input type="checkbox"/> No		
6.	<input type="checkbox"/> Yes <input type="checkbox"/> No	<input type="checkbox"/> Yes <input type="checkbox"/> No		
7.	<input type="checkbox"/> Yes <input type="checkbox"/> No	<input type="checkbox"/> Yes <input type="checkbox"/> No		
8.	<input type="checkbox"/> Yes <input type="checkbox"/> No	<input type="checkbox"/> Yes <input type="checkbox"/> No		
9.	<input type="checkbox"/> Yes <input type="checkbox"/> No	<input type="checkbox"/> Yes <input type="checkbox"/> No		
10.	<input type="checkbox"/> Yes <input type="checkbox"/> No	<input type="checkbox"/> Yes <input type="checkbox"/> No		

* **Note:** The permit differentiates between conditions requiring repairs and maintenance, and those requiring corrective action. The permit requires maintenance in order to keep controls in effective operating condition and requires repairs if controls are not operating as intended. Corrective actions are triggered only for specific, more serious conditions, which include: 1) A required stormwater control was never installed, was installed incorrectly, or not in accordance with the requirements in Part 2 and/or 3; 2) You become aware that the stormwater controls you have installed and are maintaining are not effective enough for the discharge to meet applicable water quality standards or applicable requirements in Part 3.1; 3) One of the prohibited discharges in Part 2.3.1 is occurring or has occurred; or 4) EPA requires corrective actions as a result of a permit violation found during an inspection carried out under Part 4.2. If a condition on your site requires a corrective action, you must also fill out a corrective action form found at www.epa.gov/npdes/stormwater/swppp. See Part 5 of the permit for more information.

Instructions for Filling Out the “Erosion and Sediment Control” Table

Type and Location of E&S Controls

Provide a list of all erosion and sediment (E&S) controls that your SWPPP indicates will be installed and implemented at your site. This list must include at a minimum all E&S controls required by CGP Part 2.1.2. Include also any natural buffers established under CGP Part 2.1.2.1. Buffer requirements apply if your project's earth-disturbing activities will occur within 50 feet of a surface water. You may group your E&S controls on your form if you have several of the same type of controls (e.g., you may group “Inlet Protection Measures”, “Perimeter Controls”, and “Stockpile Controls” together on one line), but if there are any problems with a specific control, you must separately identify the location of the control, whether repairs or maintenance or corrective action are necessary, and in the notes section you must describe the specifics about the problem you observed.

Repairs or Other Maintenance Needed?

Answer “yes” if the E&S control requires a repair of any kind (due to normal wear and tear, or as a result of damage) or requires maintenance in order for the control to continue operating effectively. At a minimum, maintenance is required in the following specific instances: (1) for perimeter controls, whenever sediment has accumulated to ½ or more the above-ground height of the control (CGP Part 2.1.2.2.b); (2) where sediment has been tracked-out onto the surface of off-site streets or other paved areas (CGP Part 2.1.2.3.d); (3) for inlet protection measures, when sediment accumulates, the filter becomes clogged, and/or performance is compromised (CGP Part 2.1.2.9.b); and (4) for sediment basins, as necessary to maintain at least ½ of the design capacity of the basin (CGP Part 2.1.3.2.b). Note: In many cases, “yes” answers are expected and indicate a project with an active operation and maintenance program. You should also answer “yes” if work to fix the problem is still ongoing from the previous inspection.

Corrective Action Needed?

Answer “yes” if during your inspection you found any of the following conditions to be present (CGP, Part 5.2.1): (1) a required E&S control was never installed, was installed incorrectly, or not in accordance with the corresponding CGP Part 2 or 3 requirement; (2) you become aware that the inadequacy of the E&S control has led to an exceedance of an applicable water quality standard; or (3) EPA requires corrective action for an E&S control as a result of a permit violation found during an inspection carried out under Part 4.2. If you answer “yes”, you must take corrective action and complete a corrective action report, found at www.epa.gov/npdes/stormwater/swppp. Note: You should answer “yes” if work to fix the problem from a previous inspection is still ongoing.

Date on Which Maintenance or Corrective Action First Identified?

Provide the date on which the condition that triggered the need for maintenance or corrective action was first identified. If the condition was just discovered during this inspection, enter the inspection date. If the condition is a carryover from a previous inspection, enter the original date of the condition's discovery.

Notes

For each E&S control and the area immediately surrounding it, note whether the control is properly installed and whether it appears to be working to minimize sediment discharge. Describe any problem conditions you observed such as the following, and why you think they occurred as well as actions (e.g., repairs, maintenance, or corrective action) you will take or have taken to fix the problem:

1. Failure to install or to properly install a required E&S control
2. Damage or destruction to an E&S control caused by vehicles, equipment, or personnel, a storm event, or other event
3. Mud or sediment deposits found downslope from E&S controls
4. Sediment tracked out onto paved areas by vehicles leaving construction site
5. Noticeable erosion at discharge outlets or at adjacent streambanks or channels
6. Erosion of the site's sloped areas (e.g., formation of rills or gullies)
7. E&S control is no longer working due to lack of maintenance

For buffer areas, make note of whether they are marked off as required, whether there are signs of construction disturbance within the buffer, which is prohibited under the CGP, and whether there are visible signs of erosion resulting from discharges through the area.

If repairs, maintenance, or corrective action is required, briefly note the reason. If repairs, maintenance, or corrective action have been completed, make a note of the date it was completed and what was done. *If corrective action is required, note that you will need to complete a separate corrective action report describing the condition and your work to fix the problem.*

Condition and Effectiveness of Pollution Prevention (P2) Practices (CGP Part 2.3)

(see reverse for instructions)

Type/Location of P2 Practices [Add an additional sheet if necessary]	Repairs or Other Maintenance Needed?*	Corrective Action Required?*	Date on Which Maintenance or Corrective Action First Identified?	Notes
1.	<input type="checkbox"/> Yes <input type="checkbox"/> No	<input type="checkbox"/> Yes <input type="checkbox"/> No		
2.	<input type="checkbox"/> Yes <input type="checkbox"/> No	<input type="checkbox"/> Yes <input type="checkbox"/> No		
3.	<input type="checkbox"/> Yes <input type="checkbox"/> No	<input type="checkbox"/> Yes <input type="checkbox"/> No		
4.	<input type="checkbox"/> Yes <input type="checkbox"/> No	<input type="checkbox"/> Yes <input type="checkbox"/> No		
5.	<input type="checkbox"/> Yes <input type="checkbox"/> No	<input type="checkbox"/> Yes <input type="checkbox"/> No		
6.	<input type="checkbox"/> Yes <input type="checkbox"/> No	<input type="checkbox"/> Yes <input type="checkbox"/> No		
7.	<input type="checkbox"/> Yes <input type="checkbox"/> No	<input type="checkbox"/> Yes <input type="checkbox"/> No		
8.	<input type="checkbox"/> Yes <input type="checkbox"/> No	<input type="checkbox"/> Yes <input type="checkbox"/> No		
9.	<input type="checkbox"/> Yes <input type="checkbox"/> No	<input type="checkbox"/> Yes <input type="checkbox"/> No		
10.	<input type="checkbox"/> Yes <input type="checkbox"/> No	<input type="checkbox"/> Yes <input type="checkbox"/> No		

* **Note:** The permit differentiates between conditions requiring repairs and maintenance, and those requiring corrective action. The permit requires maintenance in order to keep controls in effective operating condition and requires repairs if controls are not operating as intended. Corrective actions are triggered only for specific, more serious conditions, which include: 1) A required stormwater control was never installed, was installed incorrectly, or not in accordance with the requirements in Part 2 and/or 3; 2) You become aware that the stormwater controls you have installed and are maintaining are not effective enough for the discharge to meet applicable water quality standards or applicable requirements in Part 3.1; 3) One of the prohibited discharges in Part 2.3.1 is occurring or has occurred; or 4) EPA requires corrective actions as a result of a permit violation found during an inspection carried out under Part 4.2. If a condition on your site requires a corrective action, you must also fill out a corrective action form found at www.epa.gov/npdes/stormwater/swppp. See Part 5 of the permit for more information.

Instructions for Filling Out the "Pollution Prevention (P2) Practice" Table

Type and Location of P2 Controls

Provide a list of all pollution prevention (P2) practices that are implemented at your site. This list must include all P2 practices required by Part 2.3.3, and those that are described in your SWPPP.

Repairs or Other Maintenance Needed?

Answer "yes" if the P2 practice requires a repair of any kind (due to normal wear and tear, or as a result of damage) or requires maintenance in order for the control to continue operating effectively. Note: In many cases, "yes" answers are expected and indicate a project with an active operation and maintenance program.

Corrective Action Needed?

Answer "yes" if during your inspection you found any of the following conditions to be present (CGP, Part 5.2.1): (1) a required P2 practice was never installed, was installed incorrectly, or not in accordance with the corresponding CGP Part 2 requirement; (2) you become aware that the inadequacy of the P2 practice has led to an exceedance of an applicable water quality standard; (3) one of the "prohibited discharges" listed in CGP Part 2.3.1 is occurring or has occurred, or (4) EPA requires corrective action for a P2 practice as a result of a permit violation found during an inspection carried out under Part 4.2. If you answer "yes", you must take corrective action and complete a corrective action report (see www.epa.gov/npdes/stormwater/swppp). Note: You should answer "yes" if work to fix the problem from a previous inspection is still ongoing.

Date on Which Maintenance or Corrective Action First Identified?

Provide the date on which the condition that triggered the need for maintenance or corrective action was first identified. If the condition was just discovered during this inspection, enter the inspection date. If the condition is a carryover from a previous inspection, enter the original date of the condition's discovery.

Notes

For each P2 control and the area immediately surrounding it, note whether the control is properly installed, whether it appears to be working to minimize or eliminate pollutant discharges, and whether maintenance or corrective action is required. Describe problem conditions you observed such as the following, and why you think they occurred, as well as actions you will take or have taken to fix the problem:

1. Failure to install or to properly install a required P2 control
2. Damage or destruction to a P2 control caused by vehicles, equipment, or personnel, or a storm event
3. Evidence of a spill, leak, or other type of pollutant discharge, or failure to have properly cleaned up a previous spill, leak, or other type of pollutant discharge
4. Spill response supplies are absent, insufficient, or not where they are supposed to be located
5. Improper storage, handling, or disposal of chemicals, building materials or products, fuels, or wastes
6. P2 practice is no longer working due to lack of maintenance

If repairs, maintenance, or corrective action is required, briefly note the reason. If repairs, maintenance, or corrective action have been completed, make a note of the date it was completed and what was done. *If corrective action is required, note that you will need to complete a separate corrective action report describing the condition and your work to fix the problem.*

Stabilization of Exposed Soil (CGP Part 2.2)

(see reverse for instructions)

Stabilization Area [Add an additional sheet if necessary]	Stabilization Method	Have You Initiated Stabilization?	Notes
1.		<input type="checkbox"/> YES <input type="checkbox"/> NO If yes, provide date:	
2.		<input type="checkbox"/> YES <input type="checkbox"/> NO If yes, provide date:	
3.		<input type="checkbox"/> YES <input type="checkbox"/> NO If yes, provide date:	
4.		<input type="checkbox"/> YES <input type="checkbox"/> NO If yes, provide date:	
5.		<input type="checkbox"/> YES <input type="checkbox"/> NO If yes, provide date:	

Description of Discharges (CGP Part 4.1.6.6)

(see reverse for instructions)

Was a stormwater discharge or other discharge occurring from any part of your site at the time of the inspection? Yes No
 If "yes", provide the following information for each point of discharge:

Discharge Location [Add an additional sheet if necessary]	Observations
1.	Describe the discharge: At points of discharge and the channels and banks of surface waters in the immediate vicinity, are there any visible signs of erosion and/or sediment accumulation that can be attributed to your discharge? <input type="checkbox"/> Yes <input type="checkbox"/> No If yes, describe what you see, specify the location(s) where these conditions were found, and indicate whether modification, maintenance, or corrective action is needed to resolve the issue:
2.	Describe the discharge: At points of discharge and the channels and banks of surface waters in the immediate vicinity, are there any visible signs of erosion and/or sediment accumulation that can be attributed to your discharge? <input type="checkbox"/> Yes <input type="checkbox"/> No If yes, describe what you see, specify the location(s) where these conditions were found, and indicate whether modification, maintenance, or corrective action is needed to resolve the issue:

Instructions for Filling Out the “Stabilization of Exposed Soil” Table

Stabilization Area

List all areas where soil stabilization is required to begin because construction work in that area has permanently stopped or temporarily stopped (i.e., work will stop for 14 or more days), and all areas where stabilization has been implemented.

Stabilization Method

For each area, specify the method of stabilization (e.g., hydroseed, sod, planted vegetation, erosion control blanket, mulch, rock).

Have You Initiated Stabilization

For each area, indicate whether stabilization has been initiated.

Notes

For each area where stabilization has been initiated, describe the progress that has been made, and what additional actions are necessary to complete stabilization. Note the effectiveness of stabilization in preventing erosion. If stabilization has been initiated but not completed, make a note of the date it is to be completed. If stabilization has been completed, make a note of the date it was completed. If stabilization has not yet been initiated, make a note of the date it is to be initiated, and the date it is to be completed.

Instructions for Filling Out the “Description of Discharges” Table

You are only required to complete this section if a discharge is occurring at the time of the inspection.

Was a Stormwater Discharge Occurring From Any Part of Your Site At The Time of the Inspection?

During your inspection, examine all points of discharge from your site, and determine whether a discharge is occurring. If there is a discharge, answer “yes” and complete the questions below regarding the specific discharge. If there is not a discharge, answer “no” and skip to the next page.

Discharge Location (repeat as necessary if there are multiple points of discharge)

Location of discharge. Specify the location on your site where the discharge is occurring. The location may be an outlet from a stormwater control or constructed stormwater channel, a discharge into a storm sewer inlet, or a specific point on the site. Be as specific as possible; it is recommended that you refer to a precise point on your site map.

Describe the discharge. Include a specific description of any noteworthy characteristics of the discharge such as color; odor; floating, settled, or suspended solids; foam; oil sheen; and other obvious pollution indicators.

Are there visible signs of erosion or sediment accumulation? At each point of discharge and the channel and streambank in the immediate vicinity, visually assess whether there are any obvious signs of erosion and/or sediment accumulation that can be attributed to your discharge. If you answer “yes”, include a description in the space provided of the erosion and sediment deposition that you have found, specify where on the site or in the surface water it is found, and indicate whether modification, maintenance, or corrective action is needed to resolve the issue.

Contractor or Subcontractor Certification and Signature

(see reverse for instructions)

"I certify under penalty of law that this document and all attachments were prepared under my direction or supervision in accordance with a system designed to assure that qualified personnel properly gathered and evaluated the information submitted. Based on my inquiry of the person or persons who manage the system, or those persons directly responsible for gathering the information, the information submitted is, to the best of my knowledge and belief, true, accurate, and complete. I am aware that there are significant penalties for submitting false information, including the possibility of fine and imprisonment for knowing violations."

Signature of Contractor or Subcontractor: _____ **Date:** _____

Printed Name and Affiliation: _____

Certification and Signature by Permittee

(see reverse for instructions)

"I certify under penalty of law that this document and all attachments were prepared under my direction or supervision in accordance with a system designed to assure that qualified personnel properly gathered and evaluated the information submitted. Based on my inquiry of the person or persons who manage the system, or those persons directly responsible for gathering the information, the information submitted is, to the best of my knowledge and belief, true, accurate, and complete. I am aware that there are significant penalties for submitting false information, including the possibility of fine and imprisonment for knowing violations."

**Signature of Permittee or
"Duly Authorized Representative":** _____ **Date:** _____

Printed Name and Affiliation: _____

Instructions for Signature/Certification

Each inspection report must be signed and certified to be considered complete.

Contractor or Subcontractor Signature and Certification

Where a contractor or subcontractor is relied on to carry out the inspection and complete the inspection report, you should require the inspector to sign and certify each report. Note that this does not relieve the permitted operator of the requirement to sign and certify the inspection report as well.

Signature and Certification by Permittee

At a minimum, the inspection report must be signed by either (1) the person who signed the NOI, or (2) a duly authorized representative of that person. The following requirements apply to scenarios (1) and (2):

If the signatory will be the person who signed the NOI for permit coverage, as a reminder, that person must be one of the following types of individuals:

- *For a corporation:* A responsible corporate officer. For the purpose of this subsection, a responsible corporate officer means: (i) a president, secretary, treasurer, or vice-president of the corporation in charge of a principal business function, or any other person who performs similar policy- or decision-making functions for the corporation, or (ii) the manager of one or more manufacturing, production, or operating facilities, provided, the manager is authorized to make management decisions which govern the operation of the regulated facility including having the explicit or implicit duty of making major capital investment recommendations, and initiating and directing other comprehensive measures to assure long term environmental compliance with environmental laws and regulations; the manager can ensure that the necessary systems are established or actions taken to gather complete and accurate information for permit application requirements; and where authority to sign documents has been assigned or delegated to the manager in accordance with corporate procedures.
- *For a partnership or sole proprietorship:* A general partner or the proprietor, respectively.
- *For a municipality, state, federal, or other public agency:* Either a principal executive officer or ranking elected official. For purposes of this subsection, a principal executive officer of a federal agency includes (i) the chief executive officer of the agency, or (ii) a senior executive officer having responsibility for the overall operations of a principal geographic unit of the agency (e.g., Regional Administrator of EPA).

If the signatory will be a duly authorized representative, the following requirements must be met:

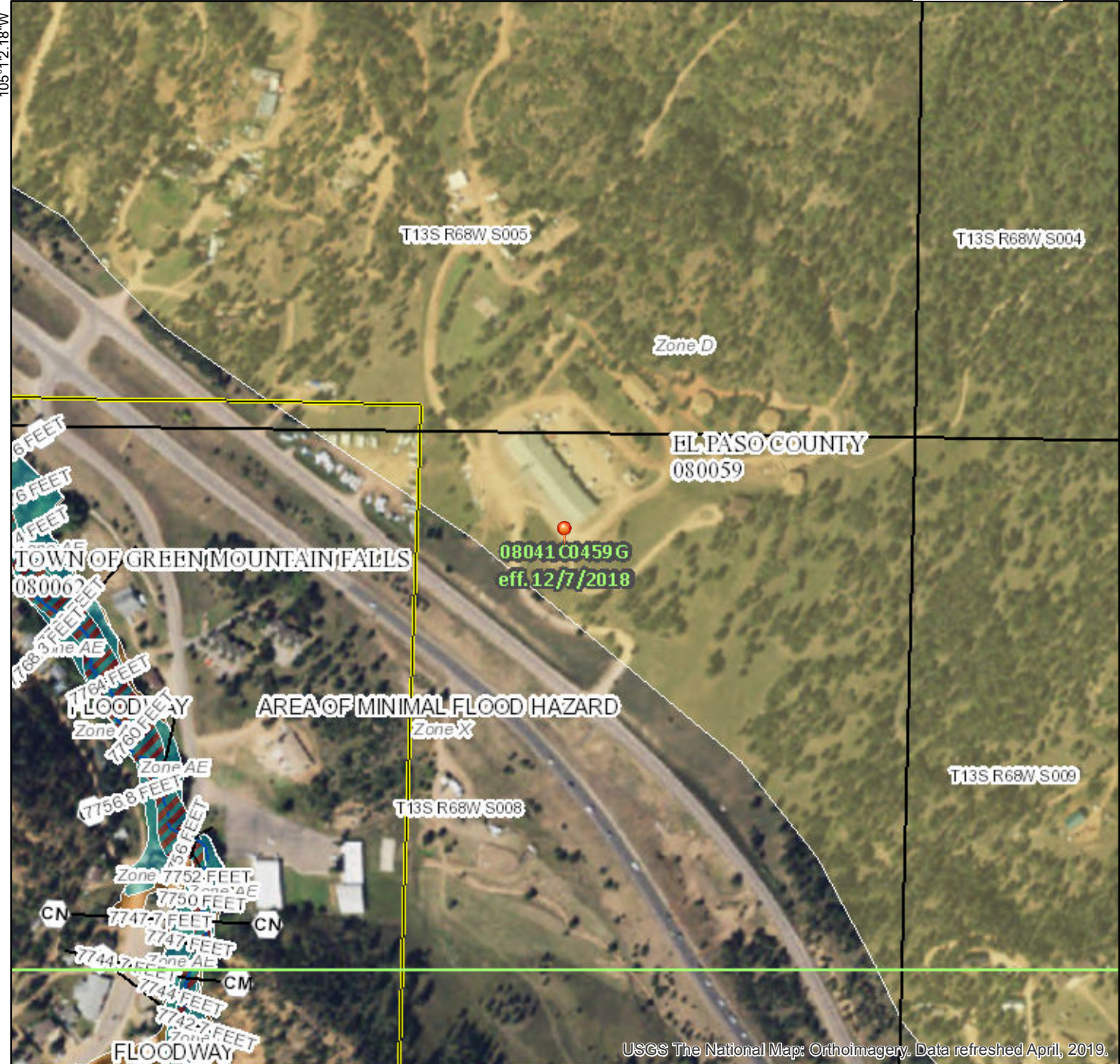
- The authorization is made in writing by the person who signed the NOI (see above);
- The authorization specifies either an individual or a position having responsibility for the overall operation of the regulated facility or activity such as the position of plant manager, operator of a well or a well field, superintendent, position of equivalent responsibility, or an individual or position having overall responsibility for environmental matters for the company. (A duly authorized representative may thus be either a named individual or any individual occupying a named position); and
- The signed and dated written authorization is included in the SWPPP. A copy must be submitted to EPA, if requested.

**APPENDIX F
FLOOD INSURANCE RATE MAP**

National Flood Hazard Layer FIRMette



38°56'40.44"N



Legend

SEE FIS REPORT FOR DETAILED LEGEND AND INDEX MAP FOR FIRM PANEL LAYOUT

SPECIAL FLOOD HAZARD AREAS	Without Base Flood Elevation (BFE) Zone A, V, A99	With BFE or Depth Zone AE, AO, AH, VE, AR
		Regulatory Floodway

OTHER AREAS OF FLOOD HAZARD

Orange box	0.2% Annual Chance Flood Hazard, Areas of 1% annual chance flood with average depth less than one foot or with drainage areas of less than one square mile Zone X
Grey box	Future Conditions 1% Annual Chance Flood Hazard Zone X
Blue/white striped box	Area with Reduced Flood Risk due to Levee. See Notes. Zone X
Yellow/white striped box	Area with Flood Risk due to Levee Zone D

OTHER AREAS

White box	Area of Minimal Flood Hazard Zone X
Blue outline	Effective LOMRs
Light orange box	Area of Undetermined Flood Hazard Zone D

GENERAL STRUCTURES

Black dashed line	Channel, Culvert, or Storm Sewer
Black vertical lines	Levee, Dike, or Floodwall

OTHER FEATURES

B 20.2	Cross Sections with 1% Annual Chance Water Surface Elevation
C - - -	Coastal Transect
~ 513 ~	Base Flood Elevation Line (BFE)
Red line	Limit of Study
Yellow line	Jurisdiction Boundary
Black dashed line	Coastal Transect Baseline
Blue line	Profile Baseline
Blue line	Hydrographic Feature

MAP PANELS

Green box	Digital Data Available
Green box with grid	No Digital Data Available
Green box with X	Unmapped

The pin displayed on the map is an approximate point selected by the user and does not represent an authoritative property location.

This map complies with FEMA's standards for the use of digital flood maps if it is not void as described below. The basemap shown complies with FEMA's basemap accuracy standards.

The flood hazard information is derived directly from the authoritative NFHL web services provided by FEMA. This map was exported on **7/18/2019 at 4:06:34 PM** and does not reflect changes or amendments subsequent to this date and time. The NFHL and effective information may change or become superseded by new data over time.

This map image is void if the one or more of the following map elements do not appear: basemap imagery, flood zone labels, legend, scale bar, map creation date, community identifiers, FIRM panel number, and FIRM effective date. Map images for unmapped and unmodernized areas cannot be used for regulatory purposes.

0 250 500 1,000 1,500 2,000 Feet 1:6,000

105°024.72'W

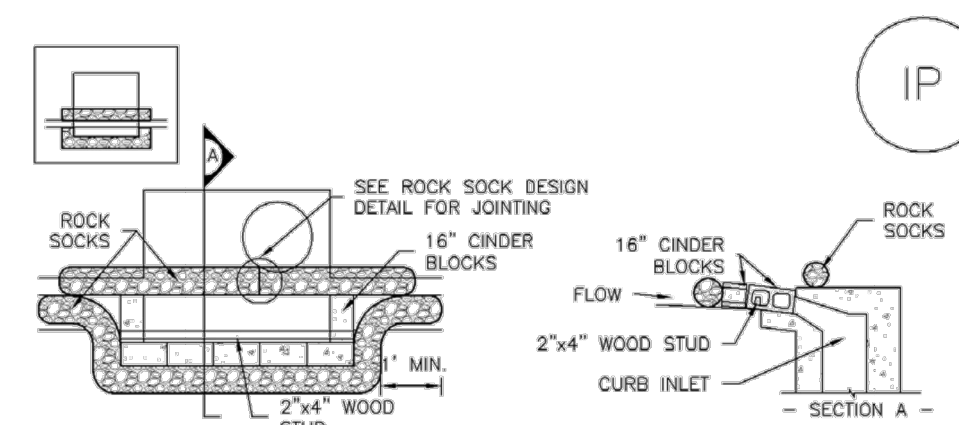
38°56'12.46"N

USGS The National Map: Orthoimagery. Data refreshed April, 2019.

**APPENDIX G
TEMPORARY BMP DETAILS**

k:\cos_civil\096856000_green mountain falls church\CADD\Sheets\CD\096856000CD_GEC ECDT.dwg Roberts, Jared 7/19/2019 1:49 PM

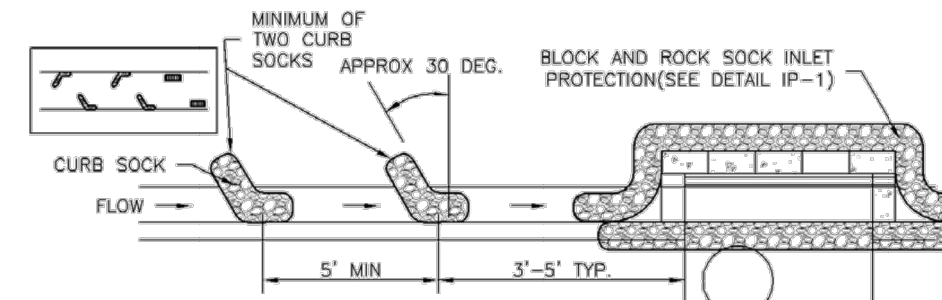
SC-6 Inlet Protection (IP)



IP-1. BLOCK AND ROCK SOCK SUMP OR ON GRADE INLET PROTECTION

BLOCK AND CURB SOCK INLET PROTECTION INSTALLATION NOTES

1. SEE ROCK SOCK DESIGN DETAIL FOR INSTALLATION REQUIREMENTS.
2. CONCRETE "CINDER" BLOCKS SHALL BE LAID ON THEIR SIDES AROUND THE INLET IN A SINGLE ROW, ABUTTING ONE ANOTHER WITH THE OPEN END FACING AWAY FROM THE CURB.
3. GRAVEL BAGS SHALL BE PLACED AROUND CONCRETE BLOCKS, CLOSELY ABUTTING ONE ANOTHER AND JOINTED TOGETHER IN ACCORDANCE WITH ROCK SOCK DESIGN DETAIL.



IP-2. CURB ROCK SOCKS UPSTREAM OF INLET PROTECTION

CURB ROCK SOCK INLET PROTECTION INSTALLATION NOTES

1. SEE ROCK SOCK DESIGN DETAIL INSTALLATION REQUIREMENTS.
2. PLACEMENT OF THE SOCK SHALL BE APPROXIMATELY 30 DEGREES FROM PERPENDICULAR IN THE OPPOSITE DIRECTION OF FLOW.
3. SOCKS ARE TO BE FLUSH WITH THE CURB AND SPACED A MINIMUM OF 5 FEET APART.
4. AT LEAST TWO CURB SOCKS IN SERIES ARE REQUIRED UPSTREAM OF ON-GRADE INLETS.

IP-4 Urban Drainage and Flood Control District August 2013
Urban Storm Drainage Criteria Manual Volume 3

SC-6 Inlet Protection (IP)

GENERAL INLET PROTECTION INSTALLATION NOTES

1. SEE PLAN VIEW FOR:
-LOCATION OF INLET PROTECTION.
-TYPE OF INLET PROTECTION (IP.1, IP.2, IP.3, IP.4, IP.5, IP.6)
2. INLET PROTECTION SHALL BE INSTALLED PROMPTLY AFTER INLET CONSTRUCTION OR PAVING IS COMPLETE (TYPICALLY WITHIN 48 HOURS). IF A RAINFALL/RUNOFF EVENT IS FORECAST, INSTALL INLET PROTECTION PRIOR TO ONSET OF EVENT.
3. MANY JURISDICTIONS HAVE BMP DETAILS THAT VARY FROM UDFCD STANDARD DETAILS. CONSULT WITH LOCAL JURISDICTIONS AS TO WHICH DETAIL SHOULD BE USED WHEN DIFFERENCES ARE NOTED.

INLET PROTECTION MAINTENANCE NOTES

1. INSPECT BMPs EACH WORKDAY, AND MAINTAIN THEM IN EFFECTIVE OPERATING CONDITION. MAINTENANCE OF BMPs SHOULD BE PROACTIVE, NOT REACTIVE. INSPECT BMPs AS SOON AS POSSIBLE (AND ALWAYS WITHIN 24 HOURS) FOLLOWING A STORM THAT CAUSES SURFACE EROSION, AND PERFORM NECESSARY MAINTENANCE.
2. FREQUENT OBSERVATIONS AND MAINTENANCE ARE NECESSARY TO MAINTAIN BMPs IN EFFECTIVE OPERATING CONDITION. INSPECTIONS AND CORRECTIVE MEASURES SHOULD BE DOCUMENTED THOROUGHLY.
3. WHERE BMPs HAVE FAILED, REPAIR OR REPLACEMENT SHOULD BE INITIATED UPON DISCOVERY OF THE FAILURE.
4. SEDIMENT ACCUMULATED UPSTREAM OF INLET PROTECTION SHALL BE REMOVED AS NECESSARY TO MAINTAIN BMP EFFECTIVENESS, TYPICALLY WHEN STORAGE VOLUME REACHES 50% OF CAPACITY, A DEPTH OF 6" WHEN SILT FENCE IS USED, OR 1/4 OF THE HEIGHT FOR STRAW BALES.
5. INLET PROTECTION IS TO REMAIN IN PLACE UNTIL THE UPSTREAM DISTURBED AREA IS PERMANENTLY STABILIZED, UNLESS THE LOCAL JURISDICTION APPROVES EARLIER REMOVAL OF INLET PROTECTION IN STREETS.
6. WHEN INLET PROTECTION AT AREA INLETS IS REMOVED, THE DISTURBED AREA SHALL BE COVERED WITH TOP SOIL, SEEDED AND MULCHED, OR OTHERWISE STABILIZED IN A MANNER APPROVED BY THE LOCAL JURISDICTION.

(DETAIL ADAPTED FROM TOWN OF PARKER, COLORADO AND CITY OF AURORA, COLORADO, NOT AVAILABLE IN AUTOCAD)

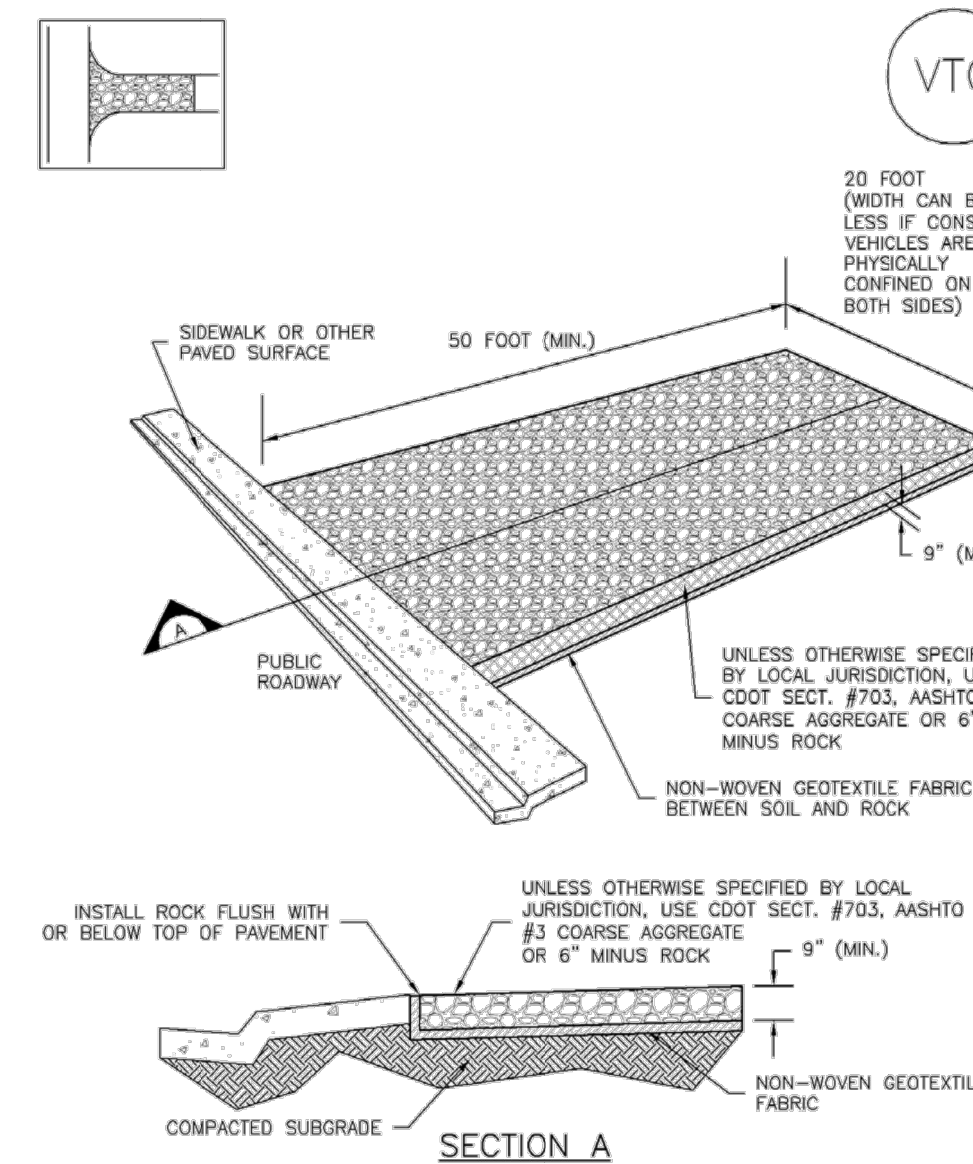
NOTE: MANY JURISDICTIONS HAVE BMP DETAILS THAT VARY FROM UDFCD STANDARD DETAILS. CONSULT WITH LOCAL JURISDICTIONS AS TO WHICH DETAIL SHOULD BE USED WHEN DIFFERENCES ARE NOTED.

NOTE: THE DETAILS INCLUDED WITH THIS FACT SHEET SHOW COMMONLY USED, CONVENTIONAL METHODS OF INLET PROTECTION IN THE DENVER METROPOLITAN AREA. THERE ARE MANY PROPRIETARY INLET PROTECTION METHODS ON THE MARKET. UDFCD NEITHER ENDORSES NOR DISCOURAGES USE OF PROPRIETARY INLET PROTECTION; HOWEVER, IN THE EVENT PROPRIETARY METHODS ARE USED, THE APPROPRIATE DETAIL FROM THE MANUFACTURER MUST BE INCLUDED IN THE SWMP AND THE BMP MUST BE INSTALLED AND MAINTAINED AS SHOWN IN THE MANUFACTURER'S DETAILS.

NOTE: SOME MUNICIPALITIES DISCOURAGE OR PROHIBIT THE USE OF STRAW BALES FOR INLET PROTECTION. CHECK WITH LOCAL JURISDICTION TO DETERMINE IF STRAW BALE INLET PROTECTION IS ACCEPTABLE.

IP-8 Urban Drainage and Flood Control District August 2013
Urban Storm Drainage Criteria Manual Volume 3

Vehicle Tracking Control (VTC) SM-4



VTC-1. AGGREGATE VEHICLE TRACKING CONTROL

VTC-6 November 2010 Urban Drainage and Flood Control District November 2010
Urban Storm Drainage Criteria Manual Volume 3

SM-4 Vehicle Tracking Control (VTC)

STABILIZED CONSTRUCTION ENTRANCE/EXIT INSTALLATION NOTES

1. SEE PLAN VIEW FOR:
-LOCATION OF CONSTRUCTION ENTRANCE(S)/EXIT(S).
-TYPE OF CONSTRUCTION ENTRANCE(S)/EXIT(S) (WITH/WITHOUT WHEEL WASH, CONSTRUCTION MAT OR TRM).
2. CONSTRUCTION MAT OR TRM STABILIZED CONSTRUCTION ENTRANCES ARE ONLY TO BE USED ON SHORT DURATION PROJECTS (TYPICALLY RANGING FROM A WEEK TO A MONTH) WHERE THERE WILL BE LIMITED VEHICULAR ACCESS.
3. A STABILIZED CONSTRUCTION ENTRANCE/EXIT SHALL BE LOCATED AT ALL ACCESS POINTS WHERE VEHICLES ACCESS THE CONSTRUCTION SITE FROM PAVED RIGHT-OF-WAYS.
4. STABILIZED CONSTRUCTION ENTRANCE/EXIT SHALL BE INSTALLED PRIOR TO ANY LAND DISTURBING ACTIVITIES.
5. A NON-WOVEN GEOTEXTILE FABRIC SHALL BE PLACED UNDER THE STABILIZED CONSTRUCTION ENTRANCE/EXIT PRIOR TO THE PLACEMENT OF ROCK.
6. UNLESS OTHERWISE SPECIFIED BY LOCAL JURISDICTION, ROCK SHALL CONSIST OF DOT SECT. #703, ASHTO #3 COARSE AGGREGATE OR 6" (MINUS) ROCK.

STABILIZED CONSTRUCTION ENTRANCE/EXIT MAINTENANCE NOTES

1. INSPECT BMPs EACH WORKDAY, AND MAINTAIN THEM IN EFFECTIVE OPERATING CONDITION. MAINTENANCE OF BMPs SHOULD BE PROACTIVE, NOT REACTIVE. INSPECT BMPs AS SOON AS POSSIBLE (AND ALWAYS WITHIN 24 HOURS) FOLLOWING A STORM THAT CAUSES SURFACE EROSION, AND PERFORM NECESSARY MAINTENANCE.
2. FREQUENT OBSERVATIONS AND MAINTENANCE ARE NECESSARY TO MAINTAIN BMPs IN EFFECTIVE OPERATING CONDITION. INSPECTIONS AND CORRECTIVE MEASURES SHOULD BE DOCUMENTED THOROUGHLY.
3. WHERE BMPs HAVE FAILED, REPAIR OR REPLACEMENT SHOULD BE INITIATED UPON DISCOVERY OF THE FAILURE.
4. ROCK SHALL BE REAPPLIED OR REGRADED AS NECESSARY TO THE STABILIZED ENTRANCE/EXIT TO MAINTAIN A CONSISTENT DEPTH.
5. SEDIMENT TRACKED ONTO PAVED ROADS IS TO BE REMOVED THROUGHOUT THE DAY AND AT THE END OF THE DAY BY SHOVELING OR SWEEPING. SEDIMENT MAY NOT BE WASHED DOWN STORM SEWER DRAINS.

NOTE: MANY JURISDICTIONS HAVE BMP DETAILS THAT VARY FROM UDFCD STANDARD DETAILS. CONSULT WITH LOCAL JURISDICTIONS AS TO WHICH DETAIL SHOULD BE USED WHEN DIFFERENCES ARE NOTED.

(DETAILS ADAPTED FROM CITY OF BROOMFIELD, COLORADO, NOT AVAILABLE IN AUTOCAD)

VTC-6 Urban Drainage and Flood Control District November 2010
Urban Storm Drainage Criteria Manual Volume 3

Kimley»Horn
2019 KIMLEY-HORN AND ASSOCIATES, INC.
2 North Nevada Avenue Suite 300
Colorado Springs, Colorado 80903 (719) 453-0180

DESIGNED BY: EUG
DRAWN BY: JAR
CHECKED BY: EUG
DATE: 7/19/19

LEGACY CHURCH
GREEN MOUNTAIN FALLS, COLORADO
GRADING AND EROSION CONTROL PLANS
EROSION CONTROL DETAILS (1 OF 5)

PRELIMINARY
FOR REVIEW ONLY
NOT FOR
CONSTRUCTION
7/19/19
Kimley»Horn
Kimley-Horn and Associates, Inc.

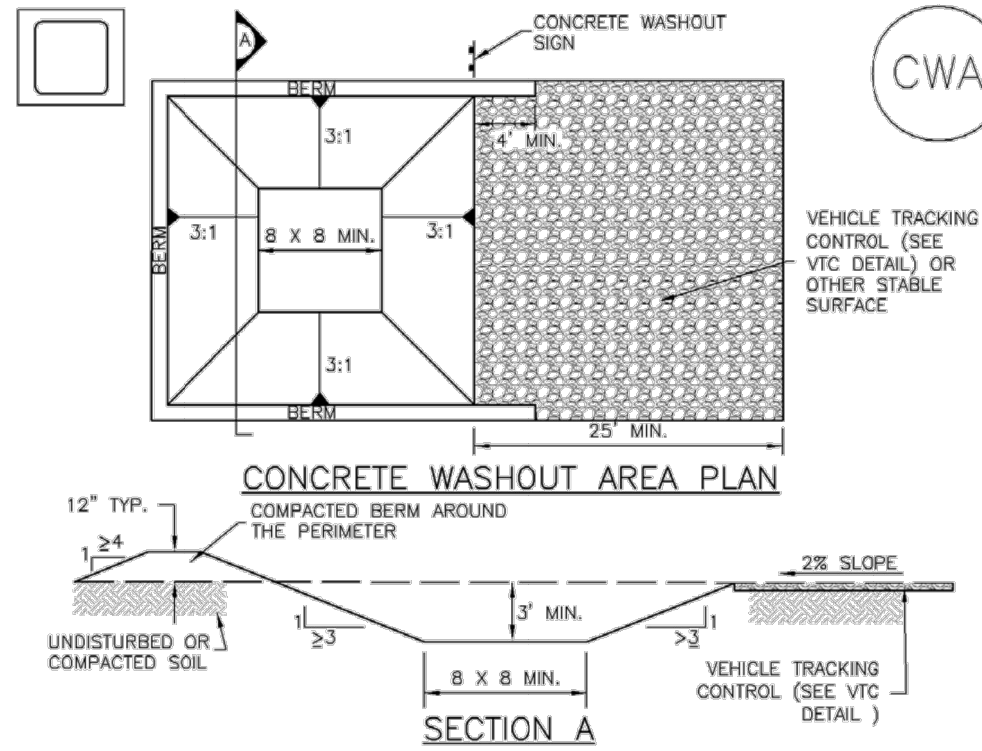
PROJECT NO.
096856000

SHEET

C2.2

NO.	BY	DATE	APPR.
1	INITIAL SUBMITTAL	JAN 7/19/19	EUG
	REVISION		

Concrete Washout Area (CWA) MM-1



CWA-1. CONCRETE WASHOUT AREA

- CWA INSTALLATION NOTES**
- SEE PLAN VIEW FOR:
-CWA INSTALLATION LOCATION.
 - DO NOT LOCATE AN UNLINED CWA WITHIN 400' OF ANY NATURAL DRAINAGE PATHWAY OR WATERBODY. DO NOT LOCATE WITHIN 1,000' OF ANY WELLS OR DRINKING WATER SOURCES. IF SITE CONSTRAINTS MAKE THIS INFEASIBLE, OR IF HIGHLY PERMEABLE SOILS EXIST ON SITE, THE CWA MUST BE INSTALLED WITH AN IMPERMEABLE LINER (16 MIL MIN. THICKNESS) OR SURFACE STORAGE ALTERNATIVES USING PREFABRICATED CONCRETE WASHOUT DEVICES OR A LINED ABOVE GROUND STORAGE ARE SHOULD BE USED.
 - THE CWA SHALL BE INSTALLED PRIOR TO CONCRETE PLACEMENT ON SITE.
 - CWA SHALL INCLUDE A FLAT SUBSURFACE PIT THAT IS AT LEAST 8' BY 8' SLOPES LEADING OUT OF THE SUBSURFACE PIT SHALL BE 3:1 OR FLATTER, THE PIT SHALL BE AT LEAST 3' DEEP.
 - BERM SURROUNDING SIDES AND BACK OF THE CWA SHALL HAVE MINIMUM HEIGHT OF 1'.
 - VEHICLE TRACKING PAD SHALL BE SLOPED 2% TOWARDS THE CWA.
 - SIGNS SHALL BE PLACED AT THE CONSTRUCTION ENTRANCE, AT THE CWA, AND ELSEWHERE AS NECESSARY TO CLEARLY INDICATE THE LOCATION OF THE CWA TO OPERATORS OF CONCRETE TRUCKS AND PUMP RIGS.
 - USE EXCAVATED MATERIAL FOR PERIMETER BERM CONSTRUCTION.

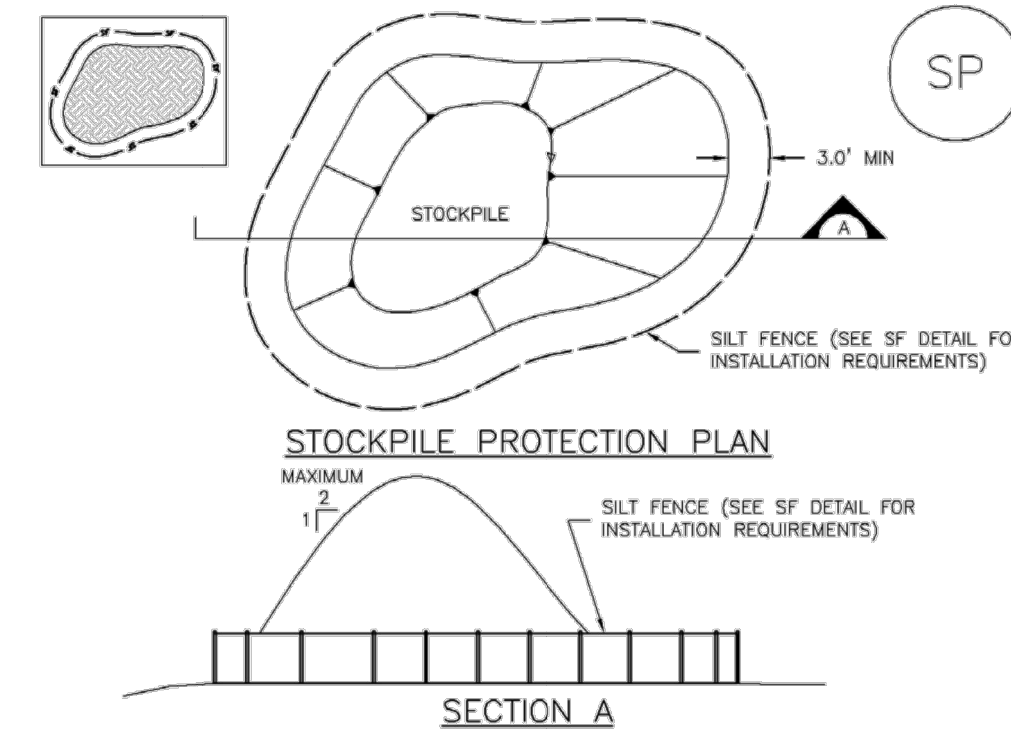
November 2010 Urban Drainage and Flood Control District CWA-3
Urban Storm Drainage Criteria Manual Volume 3

MM-1 Concrete Washout Area (CWA)

- CWA MAINTENANCE NOTES**
- INSPECT BMPs EACH WORKDAY, AND MAINTAIN THEM IN EFFECTIVE OPERATING CONDITION. MAINTENANCE OF BMPs SHOULD BE PROACTIVE, NOT REACTIVE. INSPECT BMPs AS SOON AS POSSIBLE (AND ALWAYS WITHIN 24 HOURS) FOLLOWING A STORM THAT CAUSES SURFACE EROSION, AND PERFORM NECESSARY MAINTENANCE.
 - FREQUENT OBSERVATIONS AND MAINTENANCE ARE NECESSARY TO MAINTAIN BMPs IN EFFECTIVE OPERATING CONDITION. INSPECTIONS AND CORRECTIVE MEASURES SHOULD BE DOCUMENTED THOROUGHLY.
 - WHERE BMPs HAVE FAILED, REPAIR OR REPLACEMENT SHOULD BE INITIATED UPON DISCOVERY OF THE FAILURE.
 - THE CWA SHALL BE REPAIRED, CLEANED, OR ENLARGED AS NECESSARY TO MAINTAIN CAPACITY FOR CONCRETE WASTE. CONCRETE MATERIALS, ACCUMULATED IN PIT, SHALL BE REMOVED ONCE THE MATERIALS HAVE REACHED A DEPTH OF 2'.
 - CONCRETE WASHOUT WATER, WASTED PIECES OF CONCRETE AND ALL OTHER DEBRIS IN THE SUBSURFACE PIT SHALL BE TRANSPORTED FROM THE JOB SITE IN A WATER-TIGHT CONTAINER AND DISPOSED OF PROPERLY.
 - THE CWA SHALL REMAIN IN PLACE UNTIL ALL CONCRETE FOR THE PROJECT IS PLACED.
 - WHEN THE CWA IS REMOVED, COVER THE DISTURBED AREA WITH TOP SOIL, SEED AND MULCH OR OTHERWISE STABILIZED IN A MANNER APPROVED BY THE LOCAL JURISDICTION.
- (DETAIL ADAPTED FROM SOULAS COUNTY, COLORADO AND THE CITY OF PARKER, COLORADO, NOT AVAILABLE IN AUTOCAD)
NOTE: MANY JURISDICTIONS HAVE BMP DETAILS THAT VARY FROM UDFCD STANDARD DETAILS. CONSULT WITH LOCAL JURISDICTIONS AS TO WHICH DETAIL SHOULD BE USED WHEN DIFFERENCES ARE NOTED.

CWA-4 Urban Drainage and Flood Control District November 2010
Urban Storm Drainage Criteria Manual Volume 3

Stockpile Management (SP) MM-2



SP-1. STOCKPILE PROTECTION

- STOCKPILE PROTECTION INSTALLATION NOTES**
- SEE PLAN VIEW FOR:
-LOCATION OF STOCKPILES.
-TYPE OF STOCKPILE PROTECTION.
 - INSTALL PERIMETER CONTROLS IN ACCORDANCE WITH THEIR RESPECTIVE DESIGN DETAILS. SILT FENCE IS SHOWN IN THE STOCKPILE PROTECTION DETAILS; HOWEVER, OTHER TYPES OF PERIMETER CONTROLS INCLUDING SEDIMENT CONTROL LOGS OR ROCK SOCKS MAY BE SUITABLE IN SOME CIRCUMSTANCES. CONSIDERATIONS FOR DETERMINING THE APPROPRIATE TYPE OF PERIMETER CONTROL FOR A STOCKPILE INCLUDE WHETHER THE STOCKPILE IS LOCATED ON A PERVIOUS OR IMPERVIOUS SURFACE, THE RELATIVE HEIGHTS OF THE PERIMETER CONTROL AND STOCKPILE, THE ABILITY OF THE PERIMETER CONTROL TO CONTAIN THE STOCKPILE WITHOUT FAILING IN THE EVENT THAT MATERIAL FROM THE STOCKPILE SHIFTS OR SLUMPS AGAINST THE PERIMETER, AND OTHER FACTORS.
 - STABILIZE THE STOCKPILE SURFACE WITH SURFACE ROUGHENING, TEMPORARY SEEDING AND MULCHING, EROSION CONTROL BLANKETS, OR SOIL BINDERS. SOILS STOCKPILED FOR AN EXTENDED PERIOD (TYPICALLY FOR MORE THAN 60 DAYS) SHOULD BE SEEDED AND MULCHED WITH A TEMPORARY GRASS COVER ONCE THE STOCKPILE IS PLACED (TYPICALLY WITHIN 14 DAYS). USE OF MULCH ONLY OR A SOIL BINDER IS ACCEPTABLE IF THE STOCKPILE WILL BE IN PLACE FOR A MORE LIMITED TIME PERIOD (TYPICALLY 30-60 DAYS).
 - FOR TEMPORARY STOCKPILES ON THE INTERIOR PORTION OF A CONSTRUCTION SITE, WHERE OTHER DOWNGRADIENT CONTROLS, INCLUDING PERIMETER CONTROL, ARE IN PLACE, STOCKPILE PERIMETER CONTROLS MAY NOT BE REQUIRED.

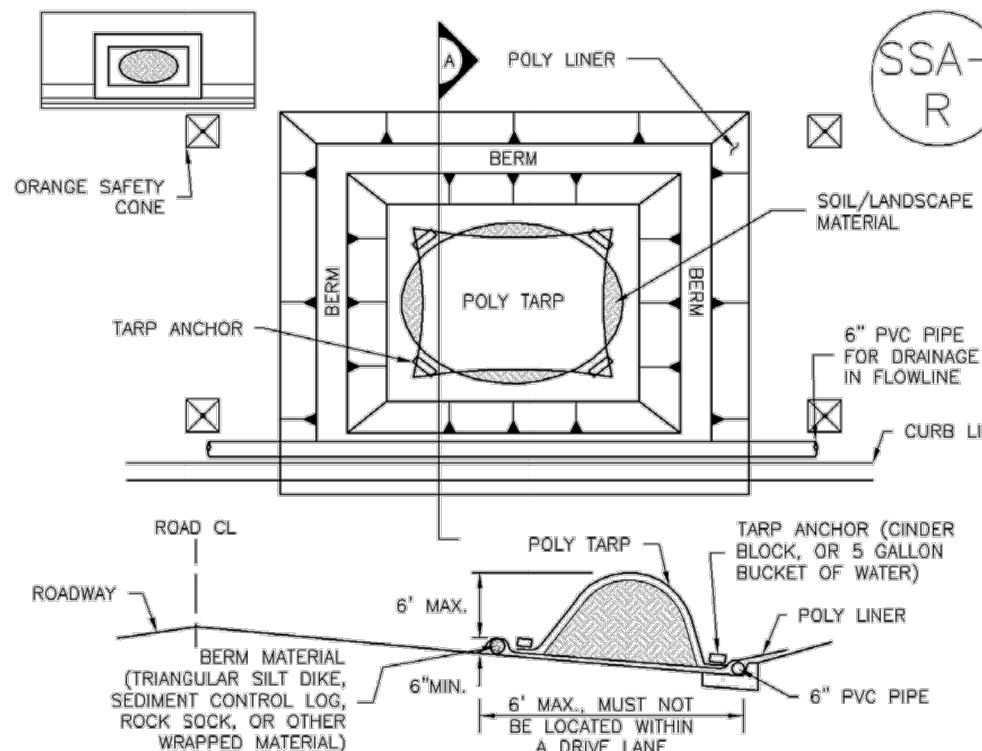
November 2010 Urban Drainage and Flood Control District SP-3
Urban Storm Drainage Criteria Manual Volume 3

MM-2 Stockpile Management (SM)

- STOCKPILE PROTECTION MAINTENANCE NOTES**
- INSPECT BMPs EACH WORKDAY, AND MAINTAIN THEM IN EFFECTIVE OPERATING CONDITION. MAINTENANCE OF BMPs SHOULD BE PROACTIVE, NOT REACTIVE. INSPECT BMPs AS SOON AS POSSIBLE (AND ALWAYS WITHIN 24 HOURS) FOLLOWING A STORM THAT CAUSES SURFACE EROSION, AND PERFORM NECESSARY MAINTENANCE.
 - FREQUENT OBSERVATIONS AND MAINTENANCE ARE NECESSARY TO MAINTAIN BMPs IN EFFECTIVE OPERATING CONDITION. INSPECTIONS AND CORRECTIVE MEASURES SHOULD BE DOCUMENTED THOROUGHLY.
 - WHERE BMPs HAVE FAILED, REPAIR OR REPLACEMENT SHOULD BE INITIATED UPON DISCOVERY OF THE FAILURE.
 - IF PERIMETER PROTECTION MUST BE MOVED TO ACCESS SOIL STOCKPILE, REPLACE PERIMETER CONTROLS BY THE END OF THE WORKDAY.
 - STOCKPILE PERIMETER CONTROLS CAN BE REMOVED ONCE ALL THE MATERIAL FROM THE STOCKPILE HAS BEEN USED.
- (DETAILS ADAPTED FROM PARKER, COLORADO, NOT AVAILABLE IN AUTOCAD)
NOTE: MANY JURISDICTIONS HAVE BMP DETAILS THAT VARY FROM UDFCD STANDARD DETAILS. CONSULT WITH LOCAL JURISDICTIONS AS TO WHICH DETAIL SHOULD BE USED WHEN DIFFERENCES ARE NOTED.

SP-4 Urban Drainage and Flood Control District November 2010
Urban Storm Drainage Criteria Manual Volume 3

Stockpile Management (SP) MM-2



SP-2. MATERIALS STAGING IN ROADWAY

- MATERIALS STAGING IN ROADWAYS INSTALLATION NOTES**
- SEE PLAN VIEW FOR:
-LOCATION OF MATERIAL STAGING AREA(S).
-CONTRACTOR MAY ADJUST LOCATION AND SIZE OF STAGING AREA WITH APPROVAL FROM THE LOCAL JURISDICTION.
 - FEATURE MUST BE INSTALLED PRIOR TO EXCAVATION, EARTHWORK OR DELIVERY OF MATERIALS.
 - MATERIALS MUST BE STATIONED ON THE POLY LINER. ANY INCIDENTAL MATERIALS DEPOSITED ON PAVED SECTION OR ALONG CURB LINE MUST BE CLEANED UP PROMPTLY.
 - POLY LINER AND TARP COVER SHOULD BE OF SIGNIFICANT THICKNESS TO PREVENT DAMAGE OR LOSS OF INTEGRITY.
 - SAND BAGS MAY BE SUBSTITUTED TO ANCHOR THE COVER TARP OR PROVIDE BERMING UNDER THE BASE LINER.
 - FEATURE IS NOT INTENDED FOR USE WITH WET MATERIAL THAT WILL BE DRAINING AND/OR SPREADING OUT ON THE POLY LINER OR FOR DEMOLITION MATERIALS.
 - THIS FEATURE CAN BE USED FOR:
-UTILITY REPAIRS.
-WHEN OTHER STAGING LOCATIONS AND OPTIONS ARE LIMITED.
-OTHER LIMITED APPLICATION AND SHORT DURATION STAGING.

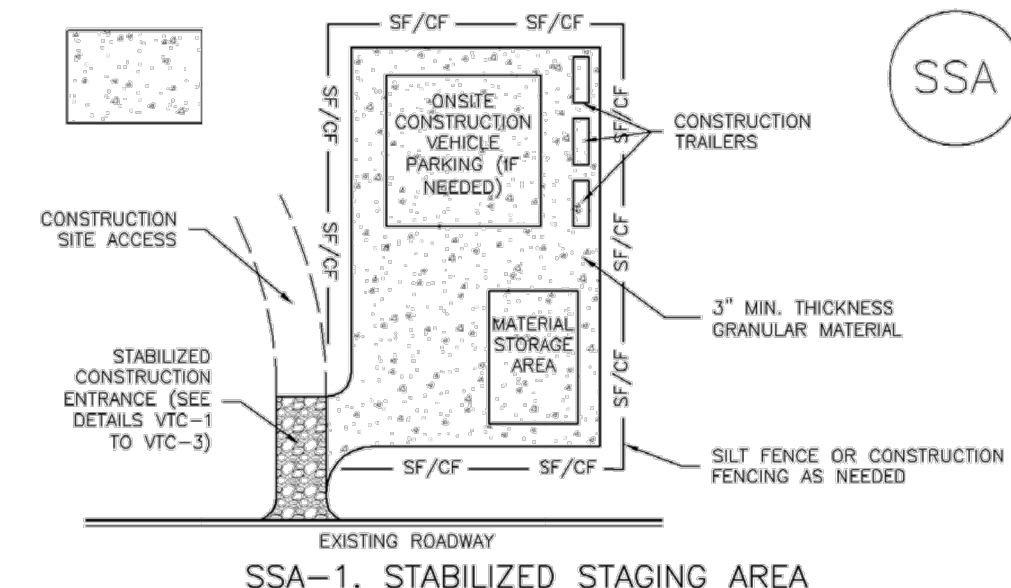
November 2010 Urban Drainage and Flood Control District SP-5
Urban Storm Drainage Criteria Manual Volume 3

MM-2 Stockpile Management (SM)

- MATERIALS STAGING IN ROADWAY MAINTENANCE NOTES**
- INSPECT BMPs EACH WORKDAY, AND MAINTAIN THEM IN EFFECTIVE OPERATING CONDITION. MAINTENANCE OF BMPs SHOULD BE PROACTIVE, NOT REACTIVE. INSPECT BMPs AS SOON AS POSSIBLE (AND ALWAYS WITHIN 24 HOURS) FOLLOWING A STORM THAT CAUSES SURFACE EROSION, AND PERFORM NECESSARY MAINTENANCE.
 - FREQUENT OBSERVATIONS AND MAINTENANCE ARE NECESSARY TO MAINTAIN BMPs IN EFFECTIVE OPERATING CONDITION. INSPECTIONS AND CORRECTIVE MEASURES SHOULD BE DOCUMENTED THOROUGHLY.
 - WHERE BMPs HAVE FAILED, REPAIR OR REPLACEMENT SHOULD BE INITIATED UPON DISCOVERY OF THE FAILURE.
 - INSPECT PVC PIPE ALONG CURB LINE FOR CLOGGING AND DEBRIS. REMOVE OBSTRUCTIONS PROMPTLY.
 - CLEAN MATERIAL FROM PAVED SURFACES BY SWEEPING OR VACUUMING.
- NOTE: MANY JURISDICTIONS HAVE BMP DETAILS THAT VARY FROM UDFCD STANDARD DETAILS. CONSULT WITH LOCAL JURISDICTIONS AS TO WHICH DETAIL SHOULD BE USED WHEN DIFFERENCES ARE NOTED.
(DETAILS ADAPTED FROM AURORA, COLORADO)

SP-6 Urban Drainage and Flood Control District November 2010
Urban Storm Drainage Criteria Manual Volume 3

Stabilized Staging Area (SSA) SM-6



SSA-1. STABILIZED STAGING AREA

- STABILIZED STAGING AREA INSTALLATION NOTES**
- SEE PLAN VIEW FOR:
-LOCATION OF STAGING AREA(S).
-CONTRACTOR MAY ADJUST LOCATION AND SIZE OF STAGING AREA WITH APPROVAL FROM THE LOCAL JURISDICTION.
 - STABILIZED STAGING AREA SHOULD BE APPROPRIATE FOR THE NEEDS OF THE SITE. OVERSIZING RESULTS IN A LARGER AREA TO STABILIZE FOLLOWING CONSTRUCTION.
 - STAGING AREA SHALL BE STABILIZED PRIOR TO OTHER OPERATIONS ON THE SITE.
 - THE STABILIZED STAGING AREA SHALL CONSIST OF A MINIMUM 3" THICK GRANULAR MATERIAL.
 - UNLESS OTHERWISE SPECIFIED BY LOCAL JURISDICTION, ROCK SHALL CONSIST OF DOT SECT. #703, AASHTO #3 COARSE AGGREGATE OR 6" (MINUS) ROCK.
 - ADDITIONAL PERIMETER BMPs MAY BE REQUIRED INCLUDING BUT NOT LIMITED TO SILT FENCE AND CONSTRUCTION FENCING.
- STABILIZED STAGING AREA MAINTENANCE NOTES**
- INSPECT BMPs EACH WORKDAY, AND MAINTAIN THEM IN EFFECTIVE OPERATING CONDITION. MAINTENANCE OF BMPs SHOULD BE PROACTIVE, NOT REACTIVE. INSPECT BMPs AS SOON AS POSSIBLE (AND ALWAYS WITHIN 24 HOURS) FOLLOWING A STORM THAT CAUSES SURFACE EROSION, AND PERFORM NECESSARY MAINTENANCE.
 - FREQUENT OBSERVATIONS AND MAINTENANCE ARE NECESSARY TO MAINTAIN BMPs IN EFFECTIVE OPERATING CONDITION. INSPECTIONS AND CORRECTIVE MEASURES SHOULD BE DOCUMENTED THOROUGHLY.
 - WHERE BMPs HAVE FAILED, REPAIR OR REPLACEMENT SHOULD BE INITIATED UPON DISCOVERY OF THE FAILURE.
 - ROCK SHALL BE REAPPLIED OR REGRADED AS NECESSARY IF RUTTING OCCURS OR UNDERLYING SUBGRADE BECOMES EXPOSED.

November 2010 Urban Drainage and Flood Control District SSA-3
Urban Storm Drainage Criteria Manual Volume 3

SM-6 Stabilized Staging Area (SSA)

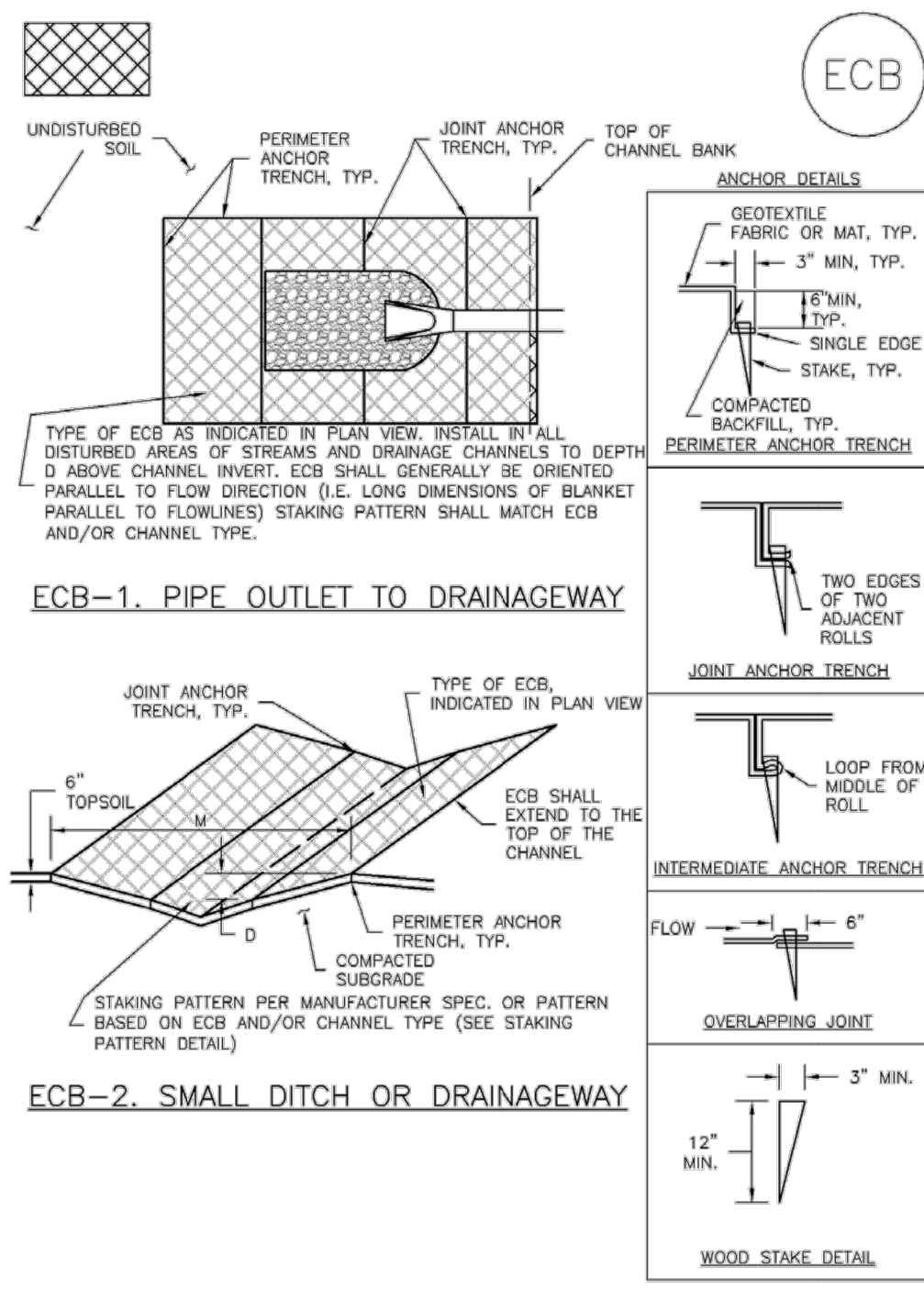
- STABILIZED STAGING AREA MAINTENANCE NOTES**
- STABILIZED STAGING AREA SHALL BE ENLARGED IF NECESSARY TO CONTAIN PARKING, STORAGE, AND UNLOADING/LOADING OPERATIONS.
 - THE STABILIZED STAGING AREA SHALL BE REMOVED AT THE END OF CONSTRUCTION. THE GRANULAR MATERIAL SHALL BE REMOVED OR, IF APPROVED BY THE LOCAL JURISDICTION, USED ON SITE, AND THE AREA COVERED WITH TOPSOIL, SEEDING AND MULCHED OR OTHERWISE STABILIZED IN A MANNER APPROVED BY LOCAL JURISDICTION.
- NOTE: MANY MUNICIPALITIES PROHIBIT THE USE OF RECYCLED CONCRETE AS GRANULAR MATERIAL FOR STABILIZED STAGING AREAS DUE TO DIFFICULTIES WITH RE-ESTABLISHMENT OF VEGETATION IN AREAS WHERE RECYCLED CONCRETE WAS PLACED.
NOTE: MANY JURISDICTIONS HAVE BMP DETAILS THAT VARY FROM UDFCD STANDARD DETAILS. CONSULT WITH LOCAL JURISDICTIONS AS TO WHICH DETAIL SHOULD BE USED WHEN DIFFERENCES ARE NOTED.
(DETAILS ADAPTED FROM DOUGLAS COUNTY, COLORADO, NOT AVAILABLE IN AUTOCAD)

SSA-4 Urban Drainage and Flood Control District November 2010
Urban Storm Drainage Criteria Manual Volume 3

k:\cos_civil\096856000_green mountain falls church\CADD\Sheets\CD\096856000_GEC ECDT.dwg Roberts, Jared 7/19/2019 1:49 PM

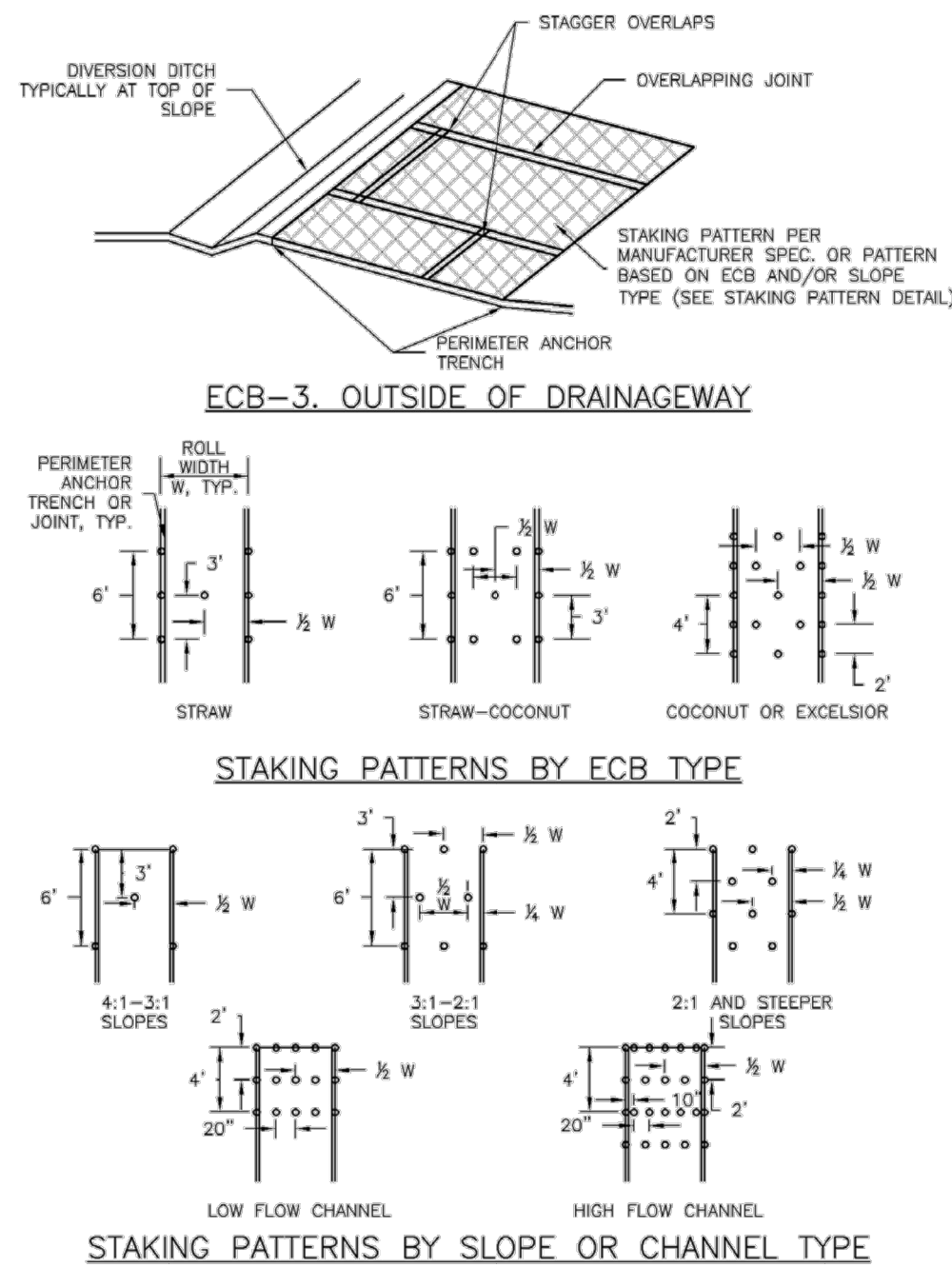
NO.	1	BY	JAR	DATE	7/19/19	APPR.	EJG
REVISION		INITIAL					
2019 KIMLEY-HORN AND ASSOCIATES, INC. 2 North Nevada Avenue Suite 300 Colorado Springs, Colorado 80903 (719) 453-0180							
DESIGNED BY: EJG DRAWN BY: JAR CHECKED BY: EJG DATE: 7/19/19							
LEGACY CHURCH GREEN MOUNTAIN FALLS, COLORADO GRADING AND EROSION CONTROL PLANS EROSION CONTROL DETAILS (2 OF 5)							
PRELIMINARY FOR REVIEW ONLY NOT FOR CONSTRUCTION 7/19/19 							
PROJECT NO. 096856000							
SHEET C2.3							

EC-6 Rolled Erosion Control Products (RECP)



RECP-6 Urban Drainage and Flood Control District November 2010
Urban Storm Drainage Criteria Manual Volume 3

Rolled Erosion Control Products (RECP) EC-6



November 2010 Urban Drainage and Flood Control District RECP-7
Urban Storm Drainage Criteria Manual Volume 3

EC-6 Rolled Erosion Control Products (RECP)

- EROSION CONTROL BLANKET INSTALLATION NOTES**
- SEE PLAN VIEW FOR:
 - LOCATION OF ECB.
 - TYPE OF ECB (STRAW, STRAW-COCONUT, COCONUT, OR EXCELSIOR).
 - AREA, A, IN SQUARE YARDS OF EACH TYPE OF ECB.
 - 100% NATURAL AND BIODEGRADABLE MATERIALS ARE PREFERRED FOR RECPs, ALTHOUGH SOME JURISDICTIONS MAY ALLOW OTHER MATERIALS IN SOME APPLICATIONS.
 - IN AREAS WHERE ECBs ARE SHOWN ON THE PLANS, THE PERMITEE SHALL PLACE TOPSOIL AND PERFORM FINAL GRADING, SURFACE PREPARATION, AND SEEDING AND MULCHING. SUBGRADE SHALL BE SMOOTH AND MOST PRIOR TO ECB INSTALLATION AND THE ECB SHALL BE IN FULL CONTACT WITH SUBGRADE. NO GAPS OR VOIDS SHALL EXIST UNDER THE BLANKET.
 - PERIMETER ANCHOR TRENCH SHALL BE USED ALONG THE OUTSIDE PERIMETER OF ALL BLANKET AREAS.
 - JOINT ANCHOR TRENCH SHALL BE USED TO JOIN ROLLS OF ECBs TOGETHER (LONGITUDINALLY AND TRANSVERSELY) FOR ALL ECBs EXCEPT STRAW WHICH MAY USE AN OVERLAPPING JOINT.
 - INTERMEDIATE ANCHOR TRENCH SHALL BE USED AT SPACING OF ONE-HALF ROLL LENGTH FOR COCONUT AND EXCELSIOR ECBs.
 - OVERLAPPING JOINT DETAIL SHALL BE USED TO JOIN ROLLS OF ECBs TOGETHER FOR ECBs ON SLOPES.
 - MATERIAL SPECIFICATIONS OF ECBs SHALL CONFORM TO TABLE ECB-1.
 - ANY AREAS OF SEEDING AND MULCHING DISTURBED IN THE PROCESS OF INSTALLING ECBs SHALL BE RESEEDED AND MULCHED.
 - DETAILS ON DESIGN PLANS FOR MAJOR DRAINAGEWAY STABILIZATION WILL GOVERN IF DIFFERENT FROM THOSE SHOWN HERE.

TABLE ECB-1. ECB MATERIAL SPECIFICATIONS

TYPE	COCONUT CONTENT	STRAW CONTENT	EXCELSIOR CONTENT	RECOMMENDED NETTING**
STRAW*	-	100%	-	DOUBLE/NATURAL
STRAW-COCONUT	30% MIN	70% MAX	-	DOUBLE/NATURAL
COCONUT	100%	-	-	DOUBLE/NATURAL
EXCELSIOR	-	-	100%	DOUBLE/NATURAL

*STRAW ECBs MAY ONLY BE USED OUTSIDE OF STREETS AND DRAINAGE CHANNELS.
**ALTERNATE NETTING MAY BE ACCEPTABLE IN SOME JURISDICTIONS.

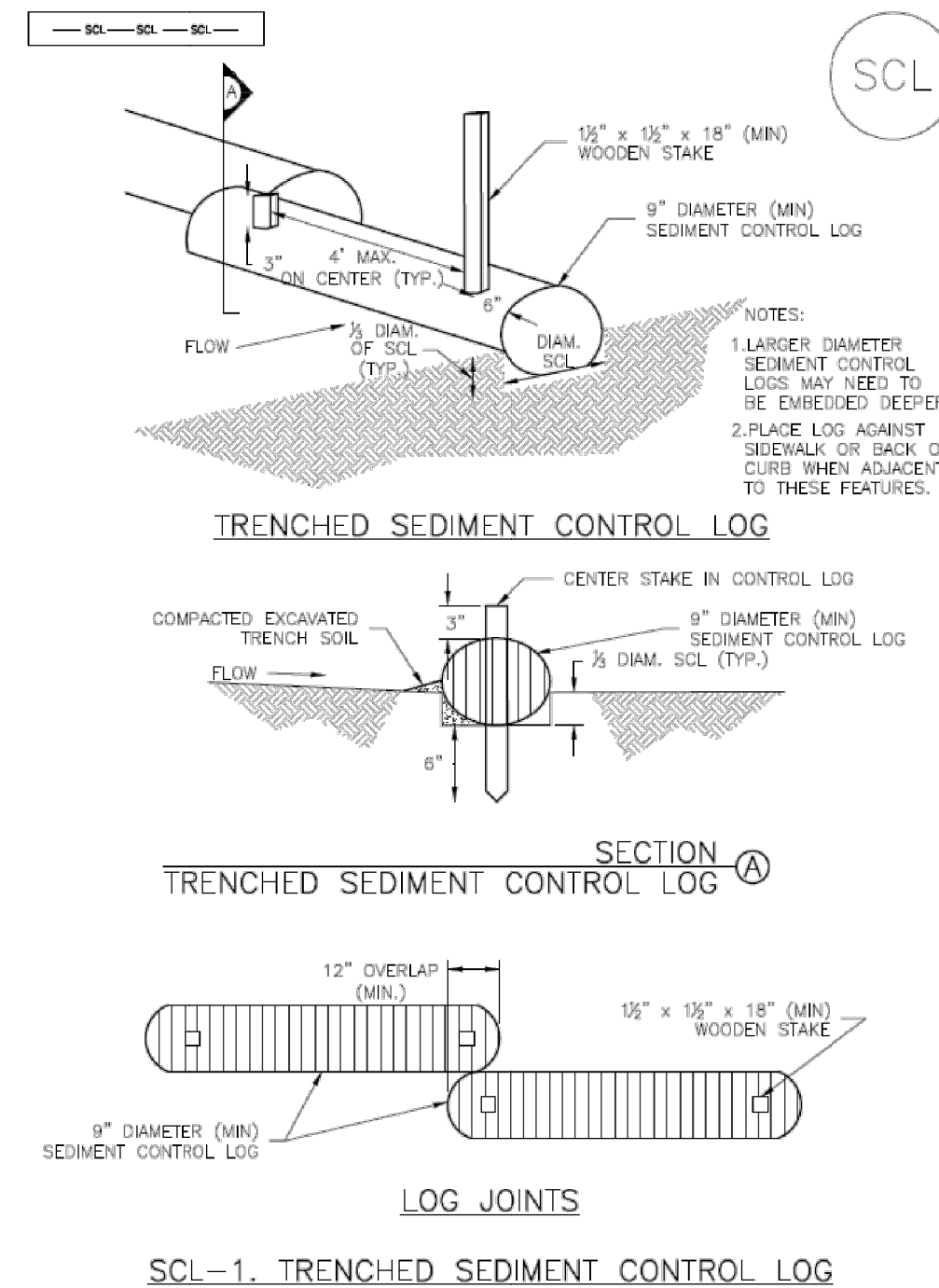
RECP-8 Urban Drainage and Flood Control District November 2010
Urban Storm Drainage Criteria Manual Volume 3

Rolled Erosion Control Products (RECP) EC-6

- EROSION CONTROL BLANKET MAINTENANCE NOTES**
- INSPECT BMPs EACH WORKDAY, AND MAINTAIN THEM IN EFFECTIVE OPERATING CONDITION. MAINTENANCE OF BMPs SHOULD BE PROACTIVE, NOT REACTIVE. INSPECT BMPs AS SOON AS POSSIBLE (AND ALWAYS WITHIN 24 HOURS) FOLLOWING A STORM THAT CAUSES SURFACE EROSION, AND PERFORM NECESSARY MAINTENANCE.
 - FREQUENT OBSERVATIONS AND MAINTENANCE ARE NECESSARY TO MAINTAIN BMPs IN EFFECTIVE OPERATING CONDITION. INSPECTIONS AND CORRECTIVE MEASURES SHOULD BE DOCUMENTED THOROUGHLY.
 - WHERE BMPs HAVE FAILED, REPAIR OR REPLACEMENT SHOULD BE INITIATED UPON DISCOVERY OF THE FAILURE.
 - ECBs SHALL BE LEFT IN PLACE TO EVENTUALLY BIODEGRADE, UNLESS REQUESTED TO BE REMOVED BY THE LOCAL JURISDICTION.
 - ANY ECB PULLED OUT, TORN, OR OTHERWISE DAMAGED SHALL BE REPAIRED OR REINSTALLED. ANY SUBGRADE AREAS BELOW THE GEOTEXTILE THAT HAVE ERODED TO CREATED A VOID UNDER THE BLANKET, OR THAT REMAIN DEVOID OF GRASS SHALL BE REPAIRED, RESEEDED AND MULCHED AND THE ECB REINSTALLED.
- NOTE: MANY JURISDICTIONS HAVE BMP DETAILS THAT VARY FROM UDFCD STANDARD DETAILS. CONSULT WITH LOCAL JURISDICTIONS AS TO WHICH DETAIL SHOULD BE USED WHEN DIFFERENCES ARE NOTED.
- (DETAILS ADAPTED FROM DOUGLAS COUNTY, COLORADO AND TOWN OF PARKER COLORADO, NOT AVAILABLE IN AUTOCAD)

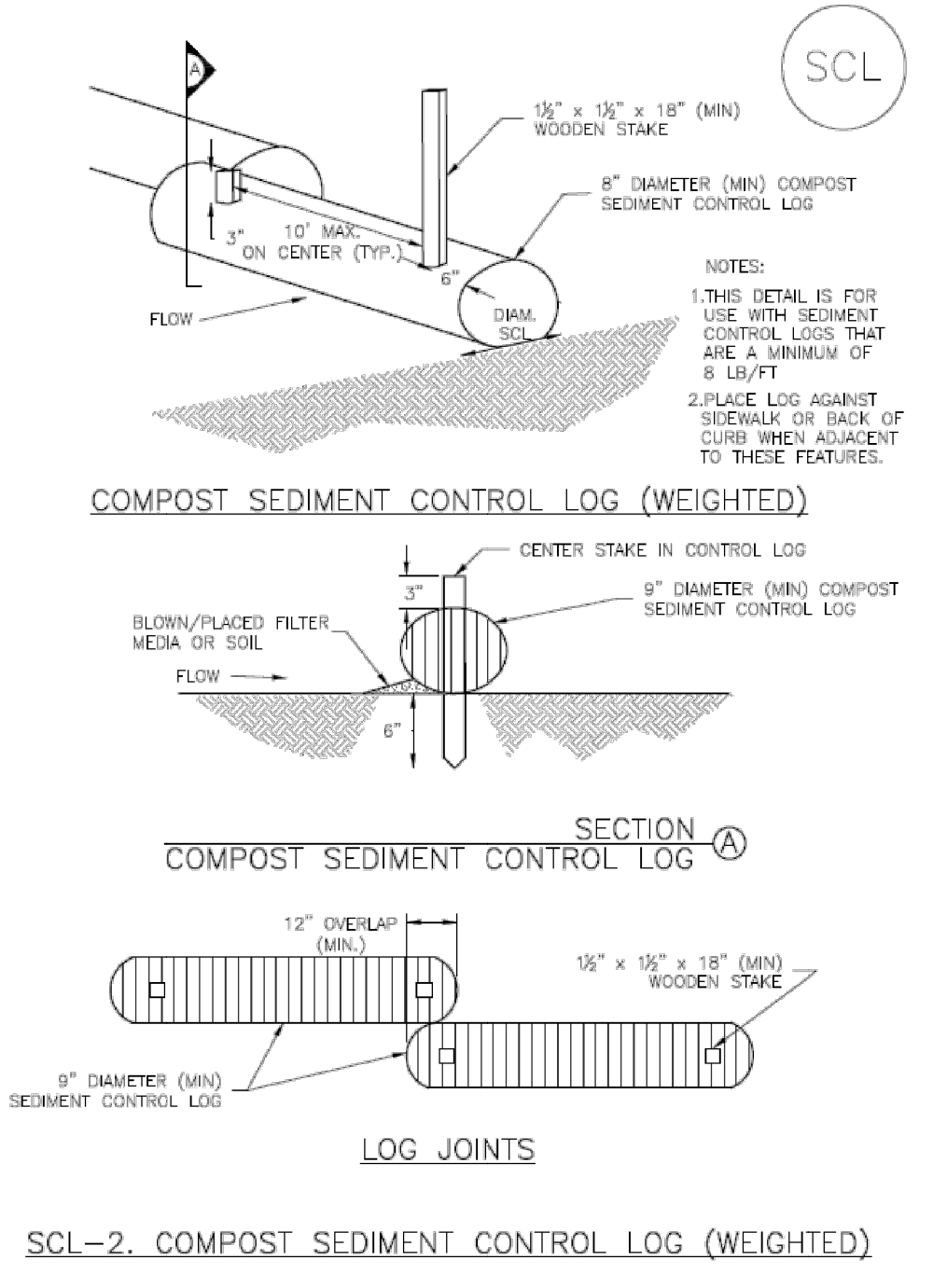
November 2010 Urban Drainage and Flood Control District RECP-9
Urban Storm Drainage Criteria Manual Volume 3

Sediment Control Log (SCL) SC-2



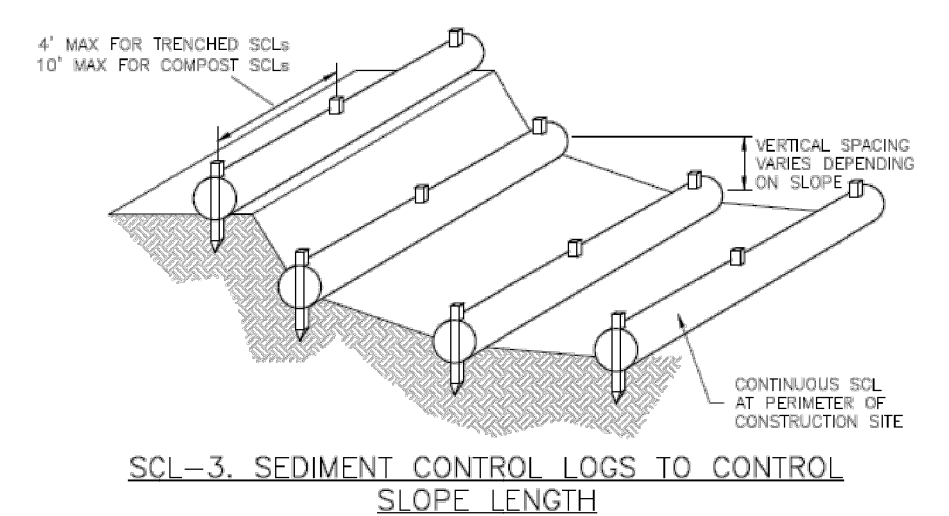
November 2015 Urban Drainage and Flood Control District SCL-3
Urban Storm Drainage Criteria Manual Volume 3

SC-2 Sediment Control Log (SCL)



SCL-4 Urban Drainage and Flood Control District November 2015
Urban Storm Drainage Criteria Manual Volume 3

Sediment Control Log (SCL) SC-2



November 2015 Urban Drainage and Flood Control District SCL-5
Urban Storm Drainage Criteria Manual Volume 3

SC-2 Sediment Control Log (SCL)

- SEDIMENT CONTROL LOG INSTALLATION NOTES**
- SEE PLAN VIEW FOR LOCATION AND LENGTH OF SEDIMENT CONTROL LOGS.
 - SEDIMENT CONTROL LOGS THAT ACT AS A PERIMETER CONTROL SHALL BE INSTALLED PRIOR TO ANY UPGRADE/GRADING AND DISTURBING ACTIVITIES.
 - SEDIMENT CONTROL LOGS SHALL CONSIST OF STRAW, COMPOST, EXCELSIOR OR COCONUT FIBER, AND SHALL BE FREE OF ANY NOXIOUS WEED SEEDS OR DEFECTS INCLUDING RIPS, HOLES AND OBVIOUS WEAR.
 - SEDIMENT CONTROL LOGS MAY BE USED AS SMALL CHECK DAMS IN DITCHES AND SWALES. HOWEVER, THEY SHOULD NOT BE USED IN PERENNIAL STREAMS.
 - IT IS RECOMMENDED THAT SEDIMENT CONTROL LOGS BE TRENCHED INTO THE GROUND TO A DEPTH OF APPROXIMATELY 1/2 OF THE DIAMETER OF THE LOG. IF TRENCHING TO THIS DEPTH IS NOT FEASIBLE AND/OR DESIRABLE (SHORT TERM INSTALLATION WITH DESIRE NOT TO DAMAGE LANDSCAPE) A LESSER TRENCHING DEPTH MAY BE ACCEPTABLE WITH MORE ROBUST STAKING. COMPOST LOGS THAT ARE 8 LB/FT DO NOT NEED TO BE TRENCHED.
 - THE UPHILL SIDE OF THE SEDIMENT CONTROL LOG SHALL BE BACKFILLED WITH SOIL OR FILTER MATERIAL THAT IS FREE OF ROCKS AND DEBRIS. THE SOIL SHALL BE TIGHTLY COMPACTED INTO THE SHAPE OF A RIGHT TRIANGLE USING A SHOVEL OR WEIGHTED LAWN ROLLER OR BLOWN IN PLACE.
 - FOLLOW MANUFACTURERS' GUIDANCE FOR STAKING. IF MANUFACTURERS' INSTRUCTIONS DO NOT SPECIFY SPACING, STAKES SHALL BE PLACED ON 4' CENTERS AND EMBEDDED A MINIMUM OF 6" INTO THE GROUND. 3" OF THE STAKE SHALL PROTRUDE FROM THE TOP OF THE LOG. STAKES THAT ARE BROKEN PRIOR TO INSTALLATION SHALL BE REPLACED. COMPOST LOGS SHOULD BE STAKED 10' ON CENTER.
- SEDIMENT CONTROL LOG MAINTENANCE NOTES**
- INSPECT BMPs EACH WORKDAY, AND MAINTAIN THEM IN EFFECTIVE OPERATING CONDITION. MAINTENANCE OF BMPs SHOULD BE PROACTIVE, NOT REACTIVE. INSPECT BMPs AS SOON AS POSSIBLE (AND ALWAYS WITHIN 24 HOURS) FOLLOWING A STORM THAT CAUSES SURFACE EROSION, AND PERFORM NECESSARY MAINTENANCE.
 - FREQUENT OBSERVATIONS AND MAINTENANCE ARE NECESSARY TO MAINTAIN BMPs IN EFFECTIVE OPERATING CONDITION. INSPECTIONS AND CORRECTIVE MEASURES SHOULD BE DOCUMENTED THOROUGHLY.
 - WHERE BMPs HAVE FAILED, REPAIR OR REPLACEMENT SHOULD BE INITIATED UPON DISCOVERY OF THE FAILURE.
 - SEDIMENT ACCUMULATED UPSTREAM OF SEDIMENT CONTROL LOG SHALL BE REMOVED AS NEEDED TO MAINTAIN FUNCTIONALITY OF THE BMP. TYPICALLY WHEN DEPTH OF ACCUMULATED SEDIMENTS IS APPROXIMATELY 1/2 OF THE HEIGHT OF THE SEDIMENT CONTROL LOG.
 - SEDIMENT CONTROL LOG SHALL BE REMOVED AT THE END OF CONSTRUCTION. COMPOST FROM COMPOST LOGS MAY BE LEFT IN PLACE AS LONG AS BMPs ARE REMOVED AND THE AREA SEEDED. IF DISTURBED AREAS EXIST AFTER REMOVAL, THEY SHALL BE COVERED WITH TOP SOIL, SEEDDED AND MULCHED OR OTHERWISE STABILIZED IN A MANNER APPROVED BY THE LOCAL JURISDICTION.
- (DETAILS ADAPTED FROM TOWN OF PARKER, COLORADO, JEFFERSON COUNTY, COLORADO, DOUGLAS COUNTY, COLORADO, AND CITY OF AURORA, COLORADO, NOT AVAILABLE IN AUTOCAD)
- NOTE: MANY JURISDICTIONS HAVE BMP DETAILS THAT VARY FROM UDFCD STANDARD DETAILS. CONSULT WITH LOCAL JURISDICTIONS AS TO WHICH DETAIL SHOULD BE USED WHEN DIFFERENCES ARE NOTED.

SCL-6 Urban Drainage and Flood Control District November 2015
Urban Storm Drainage Criteria Manual Volume 3

k:\cos_civil\096856000_green mountain falls church\CADD\Sheets\CD\096856000_GEC EDT.dwg Roberts, Jared 7/19/2019 1:49 PM

Kimley»Horn
2019 KIMLEY-HORN AND ASSOCIATES, INC.
2 North Nevada Avenue Suite 300
Colorado Springs, Colorado 80903 (719) 453-0180

DESIGNED BY: EUG
DRAWN BY: JAR
CHECKED BY: EUG
DATE: 7/19/19

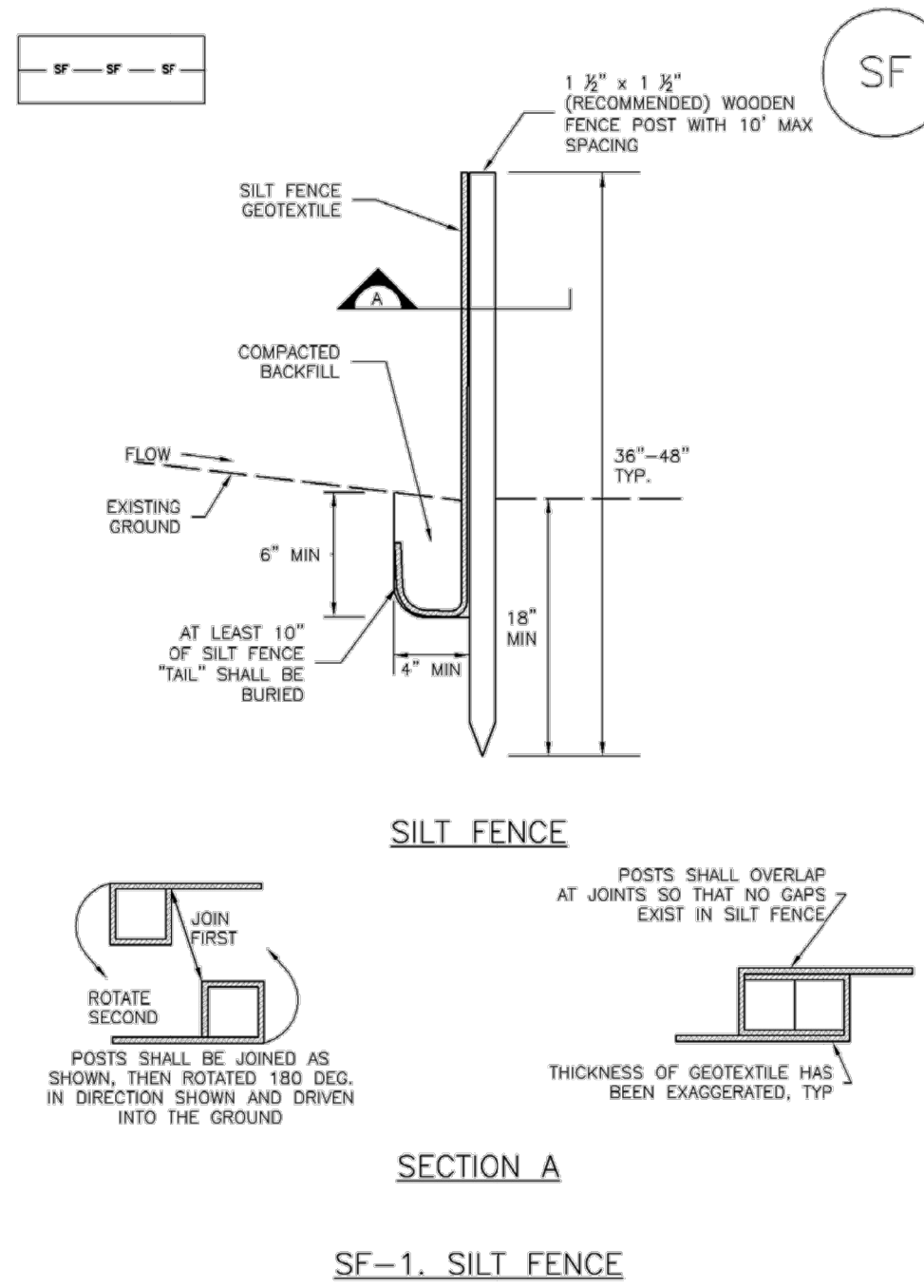
LEGACY CHURCH
GREEN MOUNTAIN FALLS, COLORADO
GRADING AND EROSION CONTROL PLANS
EROSION CONTROL DETAILS (3 OF 5)

PRELIMINARY
FOR REVIEW ONLY
NOT FOR CONSTRUCTION
19/19
Kimley»Horn
Kimley-Horn and Associates, Inc.

PROJECT NO.
096856000

SHEET
C2.4

Silt Fence (SF) SC-1



November 2010 Urban Drainage and Flood Control District Urban Storm Drainage Criteria Manual Volume 3 SF-3

SC-1 Silt Fence (SF)

SILT FENCE INSTALLATION NOTES

- SILT FENCE MUST BE PLACED AWAY FROM THE TOE OF THE SLOPE TO ALLOW FOR WATER PONDING. SILT FENCE AT THE TOE OF A SLOPE SHOULD BE INSTALLED IN A FLAT LOCATION AT LEAST SEVERAL FEET (2-5 FT) FROM THE TOE OF THE SLOPE TO ALLOW ROOM FOR PONDING AND DEPOSITION.
- A UNIFORM 6" X 4" ANCHOR TRENCH SHALL BE EXCAVATED USING TRENCHER OR SILT FENCE INSTALLATION DEVICE. NO ROAD GRADERS, BACKHOES, OR SIMILAR EQUIPMENT SHALL BE USED.
- COMPACT ANCHOR TRENCH BY HAND WITH A "JUMPING JACK" OR BY WHEEL ROLLING. COMPACTION SHALL BE SUCH THAT SILT FENCE RESISTS BEING PULLED OUT OF ANCHOR TRENCH BY HAND.
- SILT FENCE SHALL BE PULLED TIGHT AS IT IS ANCHORED TO THE STAKES. THERE SHOULD BE NO NOTICEABLE SAG BETWEEN STAKES AFTER IT HAS BEEN ANCHORED TO THE STAKES.
- SILT FENCE FABRIC SHALL BE ANCHORED TO THE STAKES USING 1" HEAVY DUTY STAPLES OR NAILS WITH 1" HEADS. STAPLES AND NAILS SHOULD BE PLACED 3" ALONG THE FABRIC DOWN THE STAKE.
- AT THE END OF A RUN OF SILT FENCE ALONG A CONTOUR, THE SILT FENCE SHOULD BE TURNED PERPENDICULAR TO THE CONTOUR TO CREATE A "J-HOOK." THE "J-HOOK" EXTENDING PERPENDICULAR TO THE CONTOUR SHOULD BE OF SUFFICIENT LENGTH TO KEEP RUNOFF FROM FLOWING AROUND THE END OF THE SILT FENCE (TYPICALLY 10' - 20').
- SILT FENCE SHALL BE INSTALLED PRIOR TO ANY LAND DISTURBING ACTIVITIES.

SILT FENCE MAINTENANCE NOTES

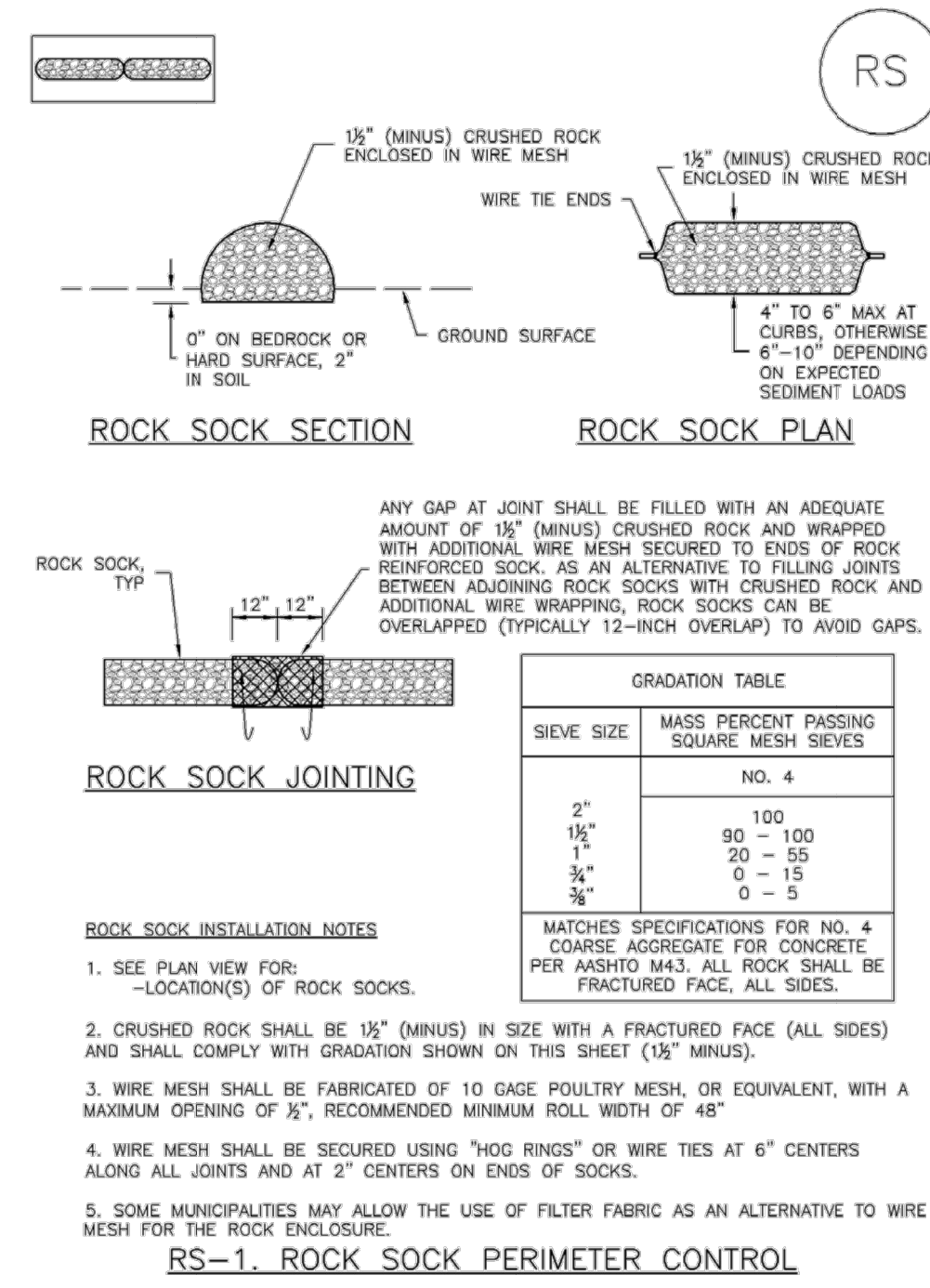
- INSPECT BMPs EACH WORKDAY, AND MAINTAIN THEM IN EFFECTIVE OPERATING CONDITION. MAINTENANCE OF BMPs SHOULD BE PROACTIVE, NOT REACTIVE. INSPECT BMPs AS SOON AS POSSIBLE (AND ALWAYS WITHIN 24 HOURS) FOLLOWING A STORM THAT CAUSES SURFACE EROSION, AND PERFORM NECESSARY MAINTENANCE.
- FREQUENT OBSERVATIONS AND MAINTENANCE ARE NECESSARY TO MAINTAIN BMPs IN EFFECTIVE OPERATING CONDITION. INSPECTIONS AND CORRECTIVE MEASURES SHOULD BE DOCUMENTED THOROUGHLY.
- WHERE BMPs HAVE FAILED, REPAIR OR REPLACEMENT SHOULD BE INITIATED UPON DISCOVERY OF THE FAILURE.
- SEDIMENT ACCUMULATED UPSTREAM OF THE SILT FENCE SHALL BE REMOVED AS NEEDED TO MAINTAIN THE FUNCTIONALITY OF THE BMP, TYPICALLY WHEN DEPTH OF ACCUMULATED SEDIMENTS IS APPROXIMATELY 6".
- REPAIR OR REPLACE SILT FENCE WHEN THERE ARE SIGNS OF WEAR, SUCH AS SAGGING, TEARING, OR COLLAPSE.
- SILT FENCE IS TO REMAIN IN PLACE UNTIL THE UPSTREAM DISTURBED AREA IS STABILIZED AND APPROVED BY THE LOCAL JURISDICTION, OR IS REPLACED BY AN EQUIVALENT PERIMETER SEDIMENT CONTROL BMP.

(DETAIL ADAPTED FROM TOWN OF PARKER, COLORADO AND CITY OF AURORA, COLORADO, NOT AVAILABLE IN AUTOCAD)

NOTE: MANY JURISDICTIONS HAVE BMP DETAILS THAT VARY FROM UDFCD STANDARD DETAILS. CONSULT WITH LOCAL JURISDICTIONS AS TO WHICH DETAIL SHOULD BE USED WHEN DIFFERENCES ARE NOTED.

SF-4 Urban Drainage and Flood Control District Urban Storm Drainage Criteria Manual Volume 3 November 2010

SC-5 Rock Sock (RS)



RS-2 Urban Drainage and Flood Control District Urban Storm Drainage Criteria Manual Volume 3 November 2010

Rock Sock (RS) SC-5

ROCK SOCK MAINTENANCE NOTES

- INSPECT BMPs EACH WORKDAY, AND MAINTAIN THEM IN EFFECTIVE OPERATING CONDITION. MAINTENANCE OF BMPs SHOULD BE PROACTIVE, NOT REACTIVE. INSPECT BMPs AS SOON AS POSSIBLE (AND ALWAYS WITHIN 24 HOURS) FOLLOWING A STORM THAT CAUSES SURFACE EROSION, AND PERFORM NECESSARY MAINTENANCE.
- FREQUENT OBSERVATIONS AND MAINTENANCE ARE NECESSARY TO MAINTAIN BMPs IN EFFECTIVE OPERATING CONDITION. INSPECTIONS AND CORRECTIVE MEASURES SHOULD BE DOCUMENTED THOROUGHLY.
- WHERE BMPs HAVE FAILED, REPAIR OR REPLACEMENT SHOULD BE INITIATED UPON DISCOVERY OF THE FAILURE.
- ROCK SOCKS SHALL BE REPLACED IF THEY BECOME HEAVILY SOILED, OR DAMAGED BEYOND REPAIR.
- SEDIMENT ACCUMULATED UPSTREAM OF ROCK SOCKS SHALL BE REMOVED AS NEEDED TO MAINTAIN FUNCTIONALITY OF THE BMP, TYPICALLY WHEN DEPTH OF ACCUMULATED SEDIMENTS IS APPROXIMATELY 1/2 OF THE HEIGHT OF THE ROCK SOCK.
- ROCK SOCKS ARE TO REMAIN IN PLACE UNTIL THE UPSTREAM DISTURBED AREA IS STABILIZED AND APPROVED BY THE LOCAL JURISDICTION.
- WHEN ROCK SOCKS ARE REMOVED, ALL DISTURBED AREAS SHALL BE COVERED WITH TOPSOIL, SEEDED AND MULCHED OR OTHERWISE STABILIZED AS APPROVED BY LOCAL JURISDICTION.

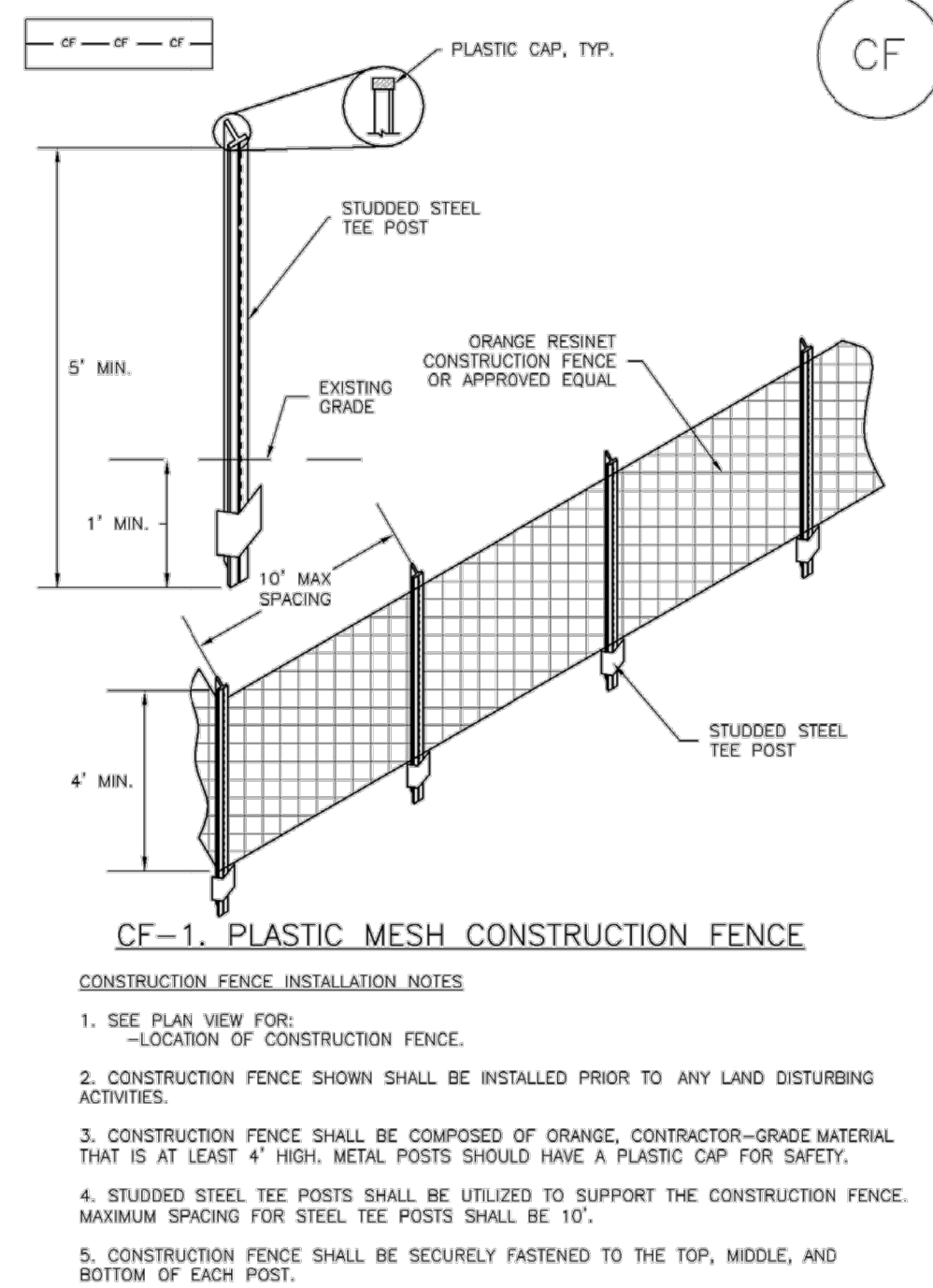
(DETAIL ADAPTED FROM TOWN OF PARKER, COLORADO AND CITY OF AURORA, COLORADO, NOT AVAILABLE IN AUTOCAD)

NOTE: MANY JURISDICTIONS HAVE BMP DETAILS THAT VARY FROM UDFCD STANDARD DETAILS. CONSULT WITH LOCAL JURISDICTIONS AS TO WHICH DETAIL SHOULD BE USED WHEN DIFFERENCES ARE NOTED.

NOTE: THE DETAILS INCLUDED WITH THIS FACT SHEET SHOW COMMONLY USED, CONVENTIONAL METHODS OF ROCK SOCK INSTALLATION IN THE DENVER METROPOLITAN AREA. THERE ARE MANY OTHER SIMILAR PROPRIETARY PRODUCTS ON THE MARKET. UDFCD NEITHER ENDORSES NOR DISCOURAGES USE OF PROPRIETARY PROTECTION PRODUCTS; HOWEVER, IN THE EVENT PROPRIETARY METHODS ARE USED, THE APPROPRIATE DETAIL FROM THE MANUFACTURER MUST BE INCLUDED IN THE SWMP AND THE BMP MUST BE INSTALLED AND MAINTAINED AS SHOWN IN THE MANUFACTURER'S DETAILS.

November 2010 Urban Drainage and Flood Control District Urban Storm Drainage Criteria Manual Volume 3 RS-3

SM-3 Construction Fence (CF)



CF-2 Urban Drainage and Flood Control District Urban Storm Drainage Criteria Manual Volume 3 November 2010

Construction Fence (CF) SM-3

CONSTRUCTION FENCE MAINTENANCE NOTES

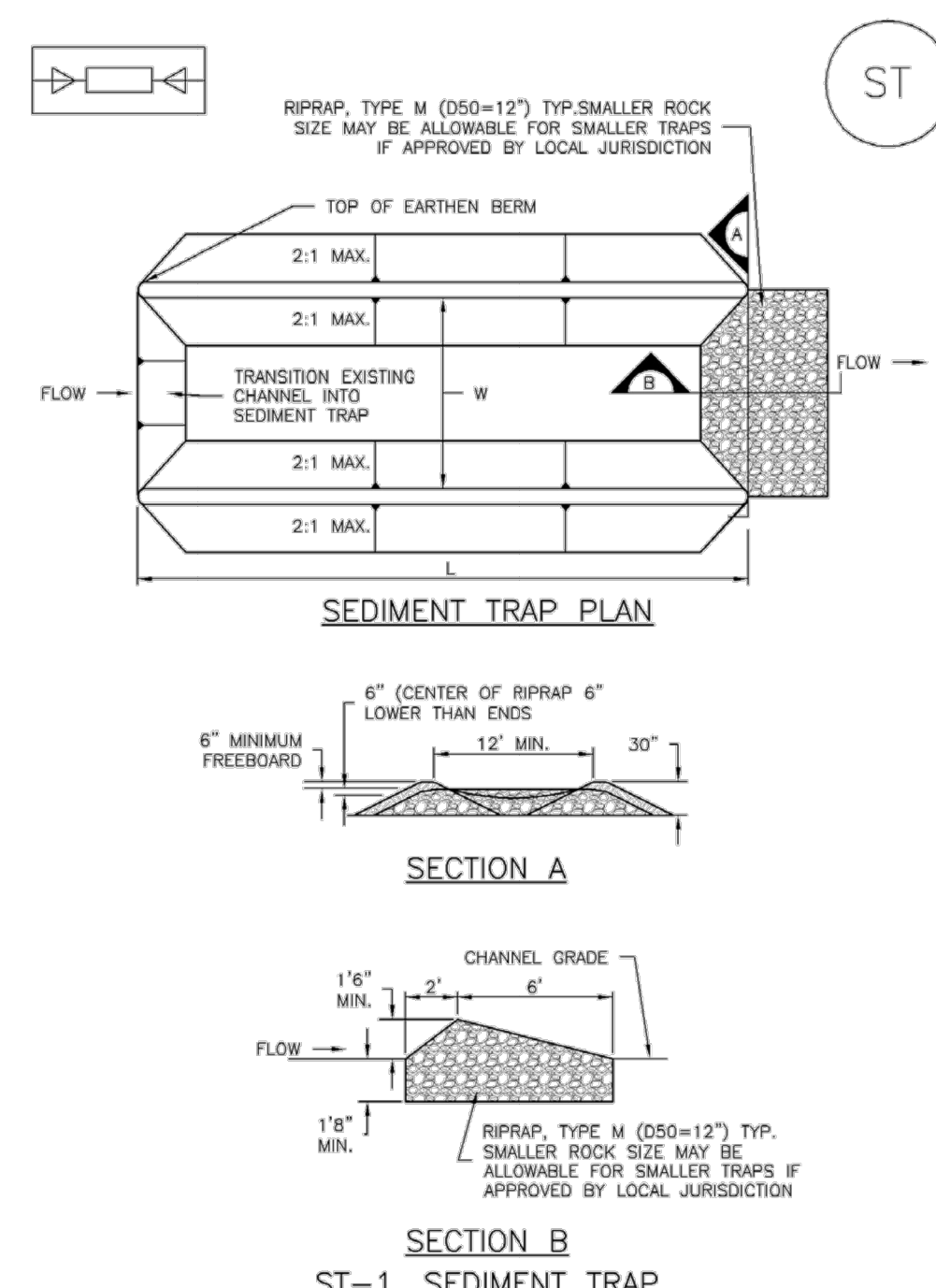
- INSPECT BMPs EACH WORKDAY, AND MAINTAIN THEM IN EFFECTIVE OPERATING CONDITION. MAINTENANCE OF BMPs SHOULD BE PROACTIVE, NOT REACTIVE. INSPECT BMPs AS SOON AS POSSIBLE (AND ALWAYS WITHIN 24 HOURS) FOLLOWING A STORM THAT CAUSES SURFACE EROSION, AND PERFORM NECESSARY MAINTENANCE.
- FREQUENT OBSERVATIONS AND MAINTENANCE ARE NECESSARY TO MAINTAIN BMPs IN EFFECTIVE OPERATING CONDITION. INSPECTIONS AND CORRECTIVE MEASURES SHOULD BE DOCUMENTED THOROUGHLY.
- WHERE BMPs HAVE FAILED, REPAIR OR REPLACEMENT SHOULD BE INITIATED UPON DISCOVERY OF THE FAILURE.
- CONSTRUCTION FENCE SHALL BE REPAIRED OR REPLACED WHEN THERE ARE SIGNS OF DAMAGE SUCH AS RIPS OR SAGS. CONSTRUCTION FENCE IS TO REMAIN IN PLACE UNTIL THE UPSTREAM DISTURBED AREA IS STABILIZED AND APPROVED BY THE LOCAL JURISDICTION.
- WHEN CONSTRUCTION FENCES ARE REMOVED, ALL DISTURBED AREAS ASSOCIATED WITH THE INSTALLATION, MAINTENANCE, AND/OR REMOVAL OF THE FENCE SHALL BE COVERED WITH TOPSOIL, SEEDED AND MULCHED, OR OTHERWISE STABILIZED AS APPROVED BY LOCAL JURISDICTION.

NOTE: MANY JURISDICTIONS HAVE BMP DETAILS THAT VARY FROM UDFCD STANDARD DETAILS. CONSULT WITH LOCAL JURISDICTIONS AS TO WHICH DETAIL SHOULD BE USED WHEN DIFFERENCES ARE NOTED.

(DETAIL ADAPTED FROM TOWN OF PARKER, COLORADO, NOT AVAILABLE IN AUTOCAD)

November 2010 Urban Drainage and Flood Control District Urban Storm Drainage Criteria Manual Volume 3 CF-3

SC-8 Sediment Trap (ST)



ST-2 Urban Drainage and Flood Control District Urban Storm Drainage Criteria Manual Volume 3 November 2010

Sediment Trap (ST) SC-8

SEDIMENT TRAP MAINTENANCE NOTES

- INSPECT BMPs EACH WORKDAY, AND MAINTAIN THEM IN EFFECTIVE OPERATING CONDITION. MAINTENANCE OF BMPs SHOULD BE PROACTIVE, NOT REACTIVE. INSPECT BMPs AS SOON AS POSSIBLE (AND ALWAYS WITHIN 24 HOURS) FOLLOWING A STORM THAT CAUSES SURFACE EROSION, AND PERFORM NECESSARY MAINTENANCE.
- FREQUENT OBSERVATIONS AND MAINTENANCE ARE NECESSARY TO MAINTAIN BMPs IN EFFECTIVE OPERATING CONDITION. INSPECTIONS AND CORRECTIVE MEASURES SHOULD BE DOCUMENTED THOROUGHLY.
- WHERE BMPs HAVE FAILED, REPAIR OR REPLACEMENT SHOULD BE INITIATED UPON DISCOVERY OF THE FAILURE.
- REMOVE SEDIMENT ACCUMULATED IN TRAP AS NEEDED TO MAINTAIN THE FUNCTIONALITY OF THE BMP, TYPICALLY WHEN THE SEDIMENT DEPTH REACHES 1/2 THE HEIGHT OF THE RIPRAP OUTLET.
- SEDIMENT TRAPS SHALL REMAIN IN PLACE UNTIL THE UPSTREAM DISTURBED AREA IS STABILIZED AND APPROVED BY THE LOCAL JURISDICTION.
- WHEN SEDIMENT TRAPS ARE REMOVED, THE DISTURBED AREA SHALL BE COVERED WITH TOPSOIL, SEEDED AND MULCHED OR OTHERWISE STABILIZED IN A MANNER APPROVED BY THE LOCAL JURISDICTION.

(DETAILS ADAPTED FROM DOUGLAS COUNTY, COLORADO, NOT AVAILABLE IN AUTOCAD)

NOTE: MANY JURISDICTIONS HAVE BMP DETAILS THAT VARY FROM UDFCD STANDARD DETAILS. CONSULT WITH LOCAL JURISDICTIONS AS TO WHICH DETAIL SHOULD BE USED WHEN DIFFERENCES ARE NOTED.

November 2010 Urban Drainage and Flood Control District Urban Storm Drainage Criteria Manual Volume 3 ST-3

k:\cos_civil\096856000_green mountain falls church\CADD\Sheets\CD\096856000_GEC ECDT.dwg Roberts, Jared 7/19/2019 1:49 PM

Kimley-Horn
2019 KIMLEY-HORN AND ASSOCIATES, INC.
2 North Nevada Avenue Suite 300
Colorado Springs, Colorado 80903 (719) 453-0180

DESIGNED BY: EUG
DRAWN BY: JAR
CHECKED BY: EUG
DATE: 7/19/19

LEGACY CHURCH
GREEN MOUNTAIN FALLS, COLORADO
GRADING AND EROSION CONTROL PLANS
EROSION CONTROL DETAILS (4 OF 5)

PRELIMINARY
FOR REVIEW ONLY
NOT FOR
CONSTRUCTION
7/19/19
Kimley-Horn
Kimley-Horn and Associates, Inc.

PROJECT NO.
096856000

SHEET

C2.5

NO.	REVISION	BY	DATE	APPR.
1	INITIAL SUBMITTAL	JAR	7/19/19	EUG

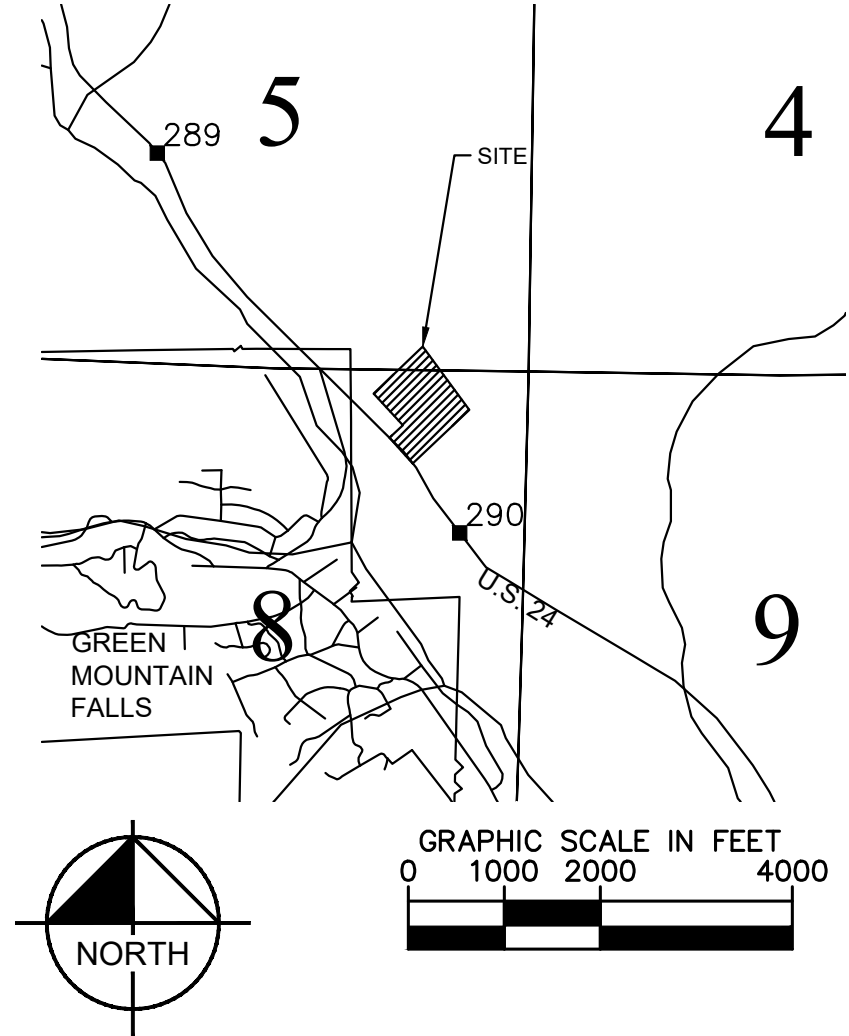
**APPENDIX H
GEC PLANS**

STANDARD NOTES FOR EL PASO COUNTY GRADING AND EROSION CONTROL PLANS:

- STORMWATER DISCHARGES FROM CONSTRUCTION SITES SHALL NOT CAUSE OR THREATEN TO CAUSE POLLUTION, CONTAMINATION, OR DEGRADATION OF STATE WATERS. ALL WORK AND EARTH DISTURBANCE SHALL BE DONE IN A MANNER THAT MINIMIZES POLLUTION OF ANY ON-SITE OR OFF SITE WATERS, INCLUDING WETLANDS.
- NOTWITHSTANDING ANYTHING DEPICTED IN THESE PLANS IN WORDS OR GRAPHIC REPRESENTATION, ALL DESIGN AND CONSTRUCTION RELATED TO ROADS, STORM DRAINAGE AND EROSION CONTROL SHALL CONFORM TO THE STANDARDS AND REQUIREMENTS OF THE MOST RECENT VERSION OF THE RELEVANT ADOPTED EL PASO COUNTY STANDARDS, INCLUDING THE LAND DEVELOPMENT CODE, THE ENGINEERING CRITERIA MANUAL, THE DRAINAGE CRITERIA MANUAL, AND THE DRAINAGE CRITERIA MANUAL VOLUME 2. ANY DEVIATIONS TO REGULATIONS AND STANDARDS MUST BE REQUESTED, AND APPROVED, IN WRITING.
- A SEPARATE STORMWATER MANAGEMENT PLAN (SMWP) FOR THIS PROJECT SHALL BE COMPLETED AND AN EROSION AND STORMWATER QUALITY CONTROL PERMIT (ESQCP) ISSUED PRIOR TO COMMENCING CONSTRUCTION. DURING CONSTRUCTION THE SWMP IS THE RESPONSIBILITY OF THE DESIGNATED QUALIFIED STORMWATER MANAGER OR CERTIFIED EROSION CONTROL INSPECTOR AND SHALL BE LOCATED ON SITE AT ALL TIMES AND SHALL BE KEPT UP TO DATE WITH WORK PROGRESS AND CHANGES IN THE FIELD.
- ONCE THE ESQCP HAS BEEN APPROVED AND A "NOTICE TO PROCEED" HAS BEEN ISSUED, THE CONTRACTOR MAY INSTALL THE INITIAL STAGE EROSION AND SEDIMENT CONTROL MEASURES AS INDICATED ON THE APPROVED GEC. A PRECONSTRUCTION MEETING BETWEEN THE CONTRACTOR, ENGINEER, AND EL PASO COUNTY WILL BE HELD PRIOR TO ANY CONSTRUCTION. IT IS THE RESPONSIBILITY OF THE APPLICANT TO COORDINATE THE MEETING TIME AND PLACE WITH COUNTY STAFF.
- CONTROL MEASURES MUST BE INSTALLED PRIOR TO COMMENCEMENT OF ACTIVITIES THAT MAY CONTRIBUTE POLLUTANTS TO STORMWATER. TEMPORARY SEDIMENT AND EROSION CONTROL MEASURES FOR ALL SLOPES, CHANNELS, DITCHES, OR ANY DISTURBED LAND AREA SHALL BE COMPLETED IMMEDIATELY UPON COMPLETION OF THE DISTURBANCE.
- ALL TEMPORARY SEDIMENT AND EROSION CONTROL MEASURES SHALL BE MAINTAINED AND REMAIN IN EFFECTIVE OPERATING CONDITION UNTIL PERMANENT SOIL EROSION CONTROL MEASURES ARE IMPLEMENTED AND FINAL STABILIZATION IS ESTABLISHED. ALL PERSONS ENGAGED IN LAND DISTURBANCE ACTIVITIES SHALL ASSESS THE ADEQUACY OF CONTROL MEASURES AT THE SITE AND IDENTIFY IF CHANGES TO THOSE CONTROL MEASURES IS NEEDED TO ENSURE THE CONTINUED EFFECTIVE PERFORMANCE OF THE CONTROL MEASURES. ALL CHANGES TO TEMPORARY SEDIMENT AND EROSION CONTROL MEASURES MUST BE INCORPORATED INTO THE STORMWATER MANAGEMENT PLAN PRIOR TO IMPLEMENTATION.
- TEMPORARY STABILIZATION SHALL BE IMPLEMENTED ON DISTURBED AREAS AND STOCKPILES WHERE GROUND DISTURBING CONSTRUCTION ACTIVITY HAS PERMANENTLY CEASED OR TEMPORARILY CEASED FOR LONGER THAN 14 DAYS. AN AREA THAT IS GOING TO REMAIN IN AN INTERIM STATE FOR MORE THAN 60 DAYS SHALL ALSO BE STABILIZED.
- FINAL STABILIZATION MUST BE IMPLEMENTED AT ALL APPLICABLE CONSTRUCTION SITES. FINAL STABILIZATION IS ACHIEVED WHEN ALL GROUND DISTURBING ACTIVITIES ARE COMPLETE AND ALL DISTURBED AREAS EITHER HAVE A UNIFORM VEGETATIVE COVER WITH INDIVIDUAL PLAN DENSITY OF 70 PERCENT OF PRE-DISTURBANCE LEVELS ESTABLISHED OR EQUIVALENT PERMANENT ALTERNATIVE STABILIZATION METHOD IS IMPLEMENTED. ALL TEMPORARY SEDIMENT AND EROSION CONTROL MEASURES SHALL BE REMOVED UPON FINAL STABILIZATION AND BEFORE PERMIT CLOSURE.
- ALL PERMANENT STORMWATER MANAGEMENT FACILITIES SHALL BE INSTALLED AS DEFINED IN THE APPROVED PLANS. ANY PROPOSED CHANGES THAT EFFECT THE HYDROLOGY OR HYDRAULICS OF A PERMANENT STORMWATER MANAGEMENT STRUCTURES MUST BE APPROVED BY THE ECM ADMINISTRATOR PRIOR TO IMPLEMENTATION.
- ANY EARTH DISTURBANCE SHALL BE CONDUCTED IN SUCH A MANNER SO AS TO EFFECTIVELY MINIMIZE ACCELERATED SOIL EROSION AND RESULTING SEDIMENTATION. ALL DISTURBANCES SHALL BE DESIGNED, CONSTRUCTED, AND COMPLETED SO THAT THE EXPOSED AREA OF ANY DISTURBED LAND SHALL BE LIMITED TO THE SHORTEST PRACTICAL PERIOD OF TIME. PRE-EXISTING VEGETATION SHALL BE PROTECTED AND MAINTAINED WITHIN 50 HORIZONTAL FEET OF A WATERS OF THE STATE, UNLESS INFEASIBLE.
- COMPACTION OF SOIL MUST BE PREVENTED IN AREAS DESIGNATED FOR INFILTRATION CONTROL MEASURES OR WHERE FINAL STABILIZATION WILL BE ACHIEVED BY VEGETATIVE COVER. AREAS DESIGNATED FOR INFILTRATION CONTROL SHALL ALSO BE PROTECTED FROM SEDIMENTATION DURING CONSTRUCTION UNTIL FINAL STABILIZATION IS ACHIEVED.
- ANY TEMPORARY OR PERMANENT FACILITY DESIGNED AND CONSTRUCTED FOR THE CONVEYANCE OF STORMWATER AROUND, THROUGH, OR FROM THE EARTH DISTURBANCE AREA SHALL BE A STABILIZED CONVEYANCE DESIGNED TO MINIMIZE EROSION AND THE DISCHARGE OF SEDIMENT OFF SITE.
- CONCRETE WASH WATER SHALL BE CONTAINED AND DISPOSED OF IN ACCORDANCE WITH THE SWMP. NO WASH WATER SHALL BE DISCHARGED TO OR ALLOWED TO RUNOFF TO STATE WATERS, INCLUDING ANY SURFACE OR SUBSURFACE STORM DRAINAGE SYSTEM OR FACILITIES. CONCRETE WASHOUT SHALL NOT BE LOCATED IN AN AREA WHERE SHALLOW GROUNDWATER MAY BE PRESENT, OR WITHIN 50 FEET OF A SURFACE WATER BODY.
- DEWATERING OPERATIONS: UNCONTAMINATED GROUND WATER MAY BE DISCHARGED ON SITE, BUT MAY NOT LEAVE THE SITE IN THE FORM OF SURFACE RUNOFF.
- EROSION CONTROL BLANKETING IS TO BE USED ON SLOPES STEEPER THAN 3:1.
- BUILDING, CONSTRUCTION, EXCAVATION, OR OTHER WASTE MATERIALS SHALL NOT BE TEMPORARILY PLACED OR STORED IN THE STREET, ALLEY, OR OTHER PUBLIC WAY, UNLESS IN ACCORDANCE WITH AN APPROVED TRAFFIC CONTROL PLAN. BMP'S MAY BE REQUIRED BY EL PASO COUNTY ENGINEERING IF DEEMED NECESSARY, BASED ON SPECIFIC CONDITIONS AND CIRCUMSTANCES.
- VEHICLE TRACKING OF SOILS AND CONSTRUCTION DEBRIS OFF-SITE SHALL BE MINIMIZED. MATERIALS TRACKED OFFSITE SHALL BE CLEANED UP AND PROPERLY DISPOSED OF IMMEDIATELY.
- CONTRACTOR SHALL BE RESPONSIBLE FOR THE REMOVAL OF ALL WASTES FROM THE CONSTRUCTION SITE FOR DISPOSAL IN ACCORDANCE WITH LOCAL AND STATE REGULATORY REQUIREMENTS. NO CONSTRUCTION DEBRIS, TREE SLASH, BUILDING MATERIAL WASTES OR UNUSED BUILDING MATERIALS SHALL BE BURIED, DUMPED, OR DISCHARGED AT THE SITE.
- THE OWNER, SITE DEVELOPER, CONTRACTOR, AND/OR THEIR AUTHORIZED AGENTS SHALL BE RESPONSIBLE FOR THE REMOVAL OF ALL CONSTRUCTION DEBRIS, DIRT, TRASH, ROCK, SEDIMENT, AND SAND THAT MAY ACCUMULATE IN THE STORM SEWER OR OTHER DRAINAGE CONVEYANCE SYSTEM AND STORMWATER APPURTENANCES AS A RESULT OF SITE DEVELOPMENT.
- THE QUANTITY OF MATERIALS STORED ON THE PROJECT SITE SHALL BE LIMITED, AS MUCH AS PRACTICAL, TO THAT QUANTITY REQUIRED TO PERFORM THE WORK IN AN ORDERLY SEQUENCE. ALL MATERIALS STORED ON-SITE SHALL BE STORED IN A NEAT, ORDERLY MANNER, IN THEIR ORIGINAL CONTAINERS, WITH ORIGINAL MANUFACTURER'S LABELS.
- NO CHEMICALS ARE TO BE USED BY THE CONTRACTOR, WHICH HAVE THE POTENTIAL TO BE RELEASED IN STORMWATER UNLESS PERMISSION FOR THE USE OF A SPECIFIC CHEMICAL IS GRANTED IN WRITING BY THE ECM ADMINISTRATOR. IN GRANTING THE USE OF SUCH CHEMICALS, SPECIAL CONDITIONS AND MONITORING MAY BE REQUIRED.

LEGACY CHURCH - GREEN MOUNTAIN FALLS

EROSION CONTROL PLANS SITUATED IN A PORTION OF THE SOUTHEAST QUARTER OF THE SOUTHEAST QUARTER OF SECTION 5 AND THE EAST HALF OF THE NORTHEAST QUARTER OF SECTION 8, TOWNSHIP 13 SOUTH, RANGE 68 WEST OF THE 6TH P.M., COUNTY OF EL PASO, STATE OF COLORADO



SHEET INDEX	
Sheet Number	Sheet Title
GRADING AND EROSION CONTROL PLAN	
C2.0	COVER SHEET
C2.1	GRADING AND EROSION CONTROL PLAN
C2.2	EROSION CONTROL DETAILS (1 OF 5)
C2.3	EROSION CONTROL DETAILS (2 OF 5)
C2.4	EROSION CONTROL DETAILS (3 OF 5)
C2.5	EROSION CONTROL DETAILS (4 OF 5)
C2.6	EROSION CONTROL DETAILS (5 OF 5)

- BULK STORAGE OF PETROLEUM PRODUCTS OR OTHER LIQUID CHEMICALS IN EXCESS OF 55 GALLONS SHALL HAVE ADEQUATE SECONDARY CONTAINMENT PROTECTION TO CONTAIN ALL SPILLS AND PREVENT ANY SPILLED MATERIAL FROM ENTERING STATE WATERS, INCLUDING ANY SURFACE OR SUBSURFACE STORM DRAINAGE SYSTEM OR FACILITIES.
- NO PERSON SHALL CAUSE THE IMPEDIMENT OF STORMWATER FLOW IN THE FLOW LINE OF THE CURB AND GUTTER OR IN THE DITCH FLOW LINE.
- INDIVIDUALS SHALL COMPLY WITH THE "COLORADO WATER QUALITY CONTROL ACT" (TITLE 25, ARTICLE 8, CRS), AND THE "CLEAN WATER ACT" (33 USC 1344), IN ADDITION TO THE REQUIREMENTS INCLUDED IN THE DCM VOLUME II AND THE ECM APPENDIX I. ALL APPROPRIATE PERMITS MUST BE OBTAINED BY THE CONTRACTOR PRIOR TO CONSTRUCTION (NPDES, FLOODPLAIN, 404, FUGITIVE DUST, ETC.). IN THE EVENT OF CONFLICTS BETWEEN THESE REQUIREMENTS AND LAWS, RULES, OR REGULATIONS OF OTHER FEDERAL, STATE, OR COUNTY AGENCIES, THE MORE RESTRICTIVE LAWS, RULES, OR REGULATIONS SHALL APPLY.
- ALL CONSTRUCTION TRAFFIC MUST ENTER/EXIT THE SITE AT APPROVED CONSTRUCTION ACCESS POINTS.
- PRIOR TO ACTUAL CONSTRUCTION THE PERMITEE SHALL VERIFY THE LOCATION OF EXISTING UTILITIES.
- A WATER SOURCE SHALL BE AVAILABLE ON SITE DURING EARTHWORK OPERATIONS AND UTILIZED AS REQUIRED TO MINIMIZE DUST FROM EARTHWORK EQUIPMENT AND WIND.
- THE SOILS REPORT FOR THIS SITE HAS BEEN PREPARED BY _____ AND SHALL BE CONSIDERED A PART OF THESE PLANS.
- AT LEAST TEN (10) DAYS PRIOR TO THE ANTICIPATED START OF CONSTRUCTION, FOR PROJECTS THAT WILL DISTURB 1 ACRE OR MORE, THE OWNER OR OPERATOR OF CONSTRUCTION ACTIVITY SHALL SUBMIT A PERMIT APPLICATION FOR STORMWATER DISCHARGE TO THE COLORADO DEPARTMENT OF PUBLIC HEALTH AND ENVIRONMENT, WATER QUALITY DIVISION. THE APPLICATION CONTAINS CERTIFICATION OF COMPLETION OF A STORMWATER MANAGEMENT PLAN (SMWP), OF WHICH THIS GRADING AND EROSION CONTROL PLAN MAY BE A PART. FOR INFORMATION OR APPLICATION

MATERIALS CONTACT:
COLORADO DEPARTMENT OF PUBLIC HEALTH AND ENVIRONMENT
WATER QUALITY CONTROL DIVISION
WQCD -PERMITS
4300 CHERRY CREEK DRIVE SOUTH
DENVER, CO 80246-1530
ATTN: PERMITS UNIT

CONTACTS:

OWNER:
PEARSONS MINISTRIES INTERNATIONAL
PO BOX 340
WOODLAND PARK, CO 80866
TEL: (719) 992-2657
CONTACT: LAUREN LEEPER

ENGINEER:
KIMLEY-HORN AND ASSOCIATES, INC.
2 NEVADA NORTH AVE., SUITE 300
COLORADO SPRINGS, CO 80903
TEL: (719) 453-0182
CONTACT: ERIC GUNDERSON, P.E.

EL PASO COUNTY:
EL PASO COUNTY
PCD DEPARTMENT
2880 INTERNATIONAL CIRCLE, SUITE 110
COLORADO SPRINGS, CO 80910
PHONE: (719) 520-3600

SURVEYOR:
BARRON LAND, LLC
2790 N. ACADEMY BLVD. SUITE 311
COLORADO SPRINGS, CO 80917
TEL: (719) 360-6827
CONTACT: SPENCER BARRON, PLS

LAND AREA:

TOTAL PROPERTY AREA: +/- 148 ACRES
TOTAL PROJECT AREA: +/- 3.66 ACRES

BENCHMARK:

12" SPIKE SET FLUSH WITH GRADE AS SHOWN HEREON. ELEVATION = 7945.04 (NAVD 88, GEOID 12B). ELEVATION ESTABLISHED BY NGS OPUS SOLUTION RETURNED TO SURVEYOR ON JUNE 20, 2019.

LEGAL DESCRIPTION

A PORTION OF THE SOUTHEAST QUARTER OF THE SOUTHEAST QUARTER OF SECTION 5 AND THE EAST HALF OF THE NORTHEAST QUARTER OF SECTION 8, TOWNSHIP 13 SOUTH, RANGE 68 WEST OF THE 6TH P.M., COUNTY OF EL PASO, STATE OF COLORADO.

SOIL TYPE:

THE SOIL ON SITE IS USGS HYDROLOGIC SOIL GROUP D.

FLOOD ZONE DESIGNATION

FEDERAL EMERGENCY MANAGEMENT AGENCY, FLOOD INSURANCE RATE MAP, MAP NUMBER 08041C0459G, EFFECTIVE DATE DECEMBER 7, 2018 INDICATES THIS PARCEL OF LAND IS LOCATED IN ZONE D (AREA OF UNDETERMINED FLOOD HAZARD)

SITE INFORMATION:

TIMING:
ANTICIPATED STARTING AND COMPLETION TIME PERIOD OF SITE GRADING:
START: FALL 2019
END: SPRING 2019

EXPECTED DATE ON WHICH THE FINAL STABILIZATION WILL BE COMPLETE:
FALL 2020

AREAS:
TOTAL DISTURBED AREA: 3.66 ACRES

RECEIVING WATERS:
NAME OF RECEIVING WATERS:

DESCRIPTION OF EXISTING VEGETATION:
THE EXISTING SITE IS CURRENTLY DEVELOPED AND GROUND COVER CONSISTS OF 100% WEEDS, BRUSH, GRASSES, AND TREES.

DESCRIPTION OF PERMANENT BMPS:
WATER QUALITY DETENTION PONDS AND LANDSCAPING

DEVELOPER'S/OWNER'S SIGNATURE BLOCK

THE OWNER WILL COMPLY WITH THE REQUIREMENTS OF THE GRADING AND EROSION CONTROL PLAN.

OWNER SIGNATURE _____ DATE _____

ENGINEER'S SIGNATURE BLOCK

THIS GRADING AND EROSION CONTROL PLAN WAS PREPARED UNDER MY DIRECTION AND SUPERVISION AND IS CORRECT TO THE BEST OF MY KNOWLEDGE AND BELIEF. SAID PLAN HAS BEEN PREPARED ACCORDING TO THE CRITERIA ESTABLISHED BY THE COUNTY FOR GRADING AND EROSION CONTROL PLANS. I ACCEPT RESPONSIBILITY FOR ANY LIABILITY CAUSED BY ANY NEGLIGENT ACTS, ERRORS OR OMISSIONS ON MY PART IN PREPARING THIS REPORT.

ERIC GUNDERSON, PE - KIMLEY-HORN AND ASSOCIATES, INC. DATE _____

EL PASO COUNTY

COUNTY PLAN REVIEW IS PROVIDED ONLY FOR GENERAL CONFORMANCE WITH COUNTY DESIGN CRITERIA. THE COUNTY IS NOT RESPONSIBLE FOR THE ACCURACY AND ADEQUACY OF THE DESIGN, DIMENSIONS, AND/OR ELEVATIONS WHICH SHALL BE CONFIRMED AT THE JOB SITE. THE COUNTY THROUGH THE APPROVAL OF THIS DOCUMENT ASSUMES NO RESPONSIBILITY FOR COMPLETENESS AND/OR ACCURACY OF THIS DOCUMENT.

FILED IN ACCORDANCE WITH THE REQUIREMENTS OF THE EL PASO COUNTY LAND DEVELOPMENT CODE, DRAINAGE CRITERIA, AND ENGINEERING CRITERIA MANUAL AS AMENDED.

COUNTY PROJECT ENGINEER SIGNATURE _____ DATE _____

NO.	REVISION	BY	DATE
1		JAR	7/19/19

Kimley-Horn
2019 KIMLEY-HORN AND ASSOCIATES, INC.
2 North Nevada Avenue Suite 300
Colorado Springs, Colorado 80903 (719) 453-0180

DESIGNED BY: EUG
DRAWN BY: JAR
CHECKED BY: EUG
DATE: 7/19/19

LEGACY CHURCH
GREEN MOUNTAIN FALLS, COLORADO
GRADING AND EROSION CONTROL PLANS
GESQCP PLAN COVER SHEET

PRELIMINARY
FOR REVIEW ONLY
NOT FOR
CONSTRUCTION
7/19/19
Kimley-Horn
Kimley-Horn and Associates, Inc.

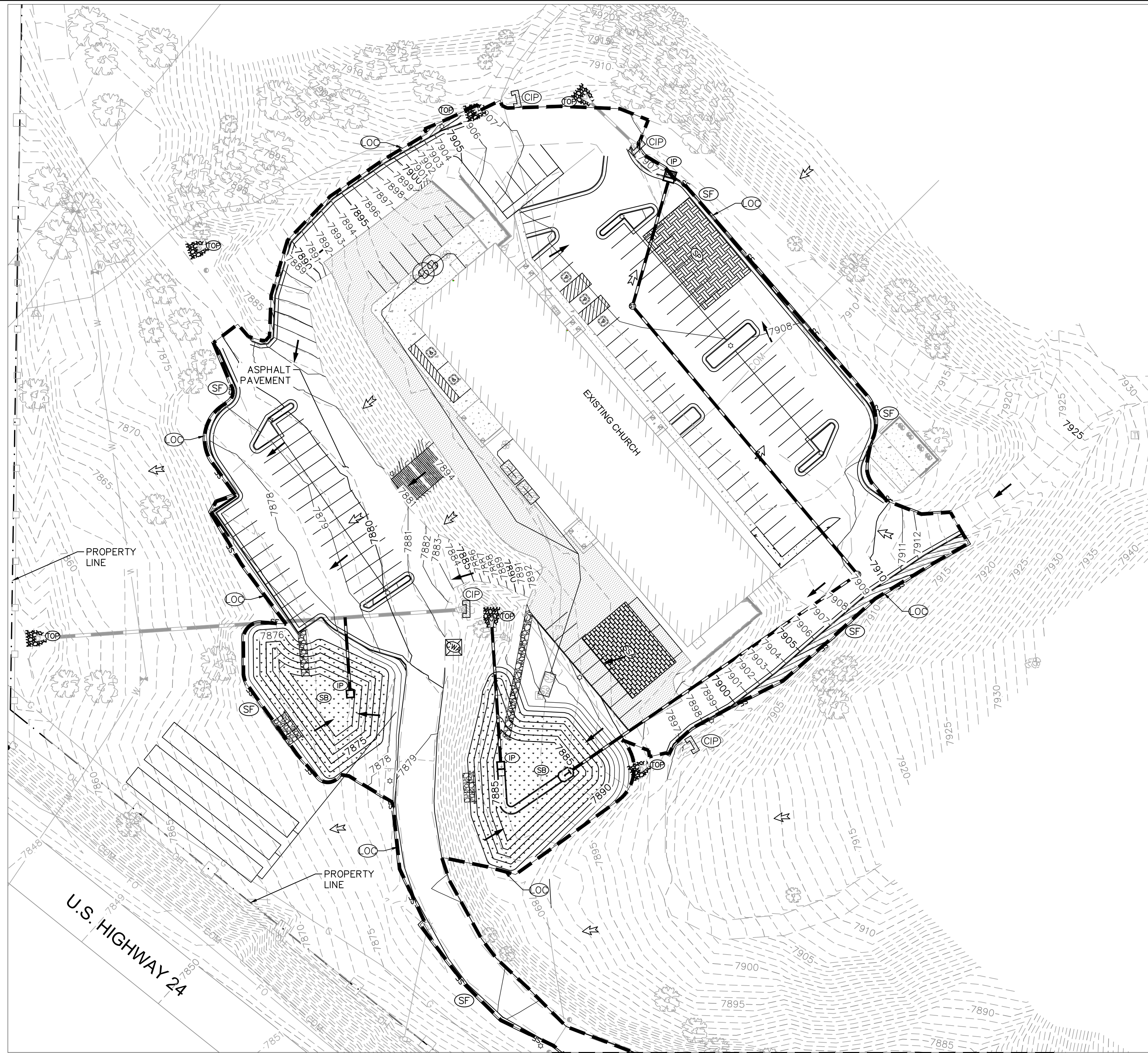
PROJECT NO.
096856000

SHEET
C2.0

k:\cos_civil\096856000_green mountain falls church\CADD\Sheets\CD\096856000_GECV.dwg Roberts, Jared 7/19/2019 1:48 PM



k:\cos_civil\096856000_green mountain falls church\CADD\Sheets\CD\096856000CD_EC.dwg Roberts, Jared 7/19/2019 1:48 PM



MATCHLINE, SEE THIS SHEET

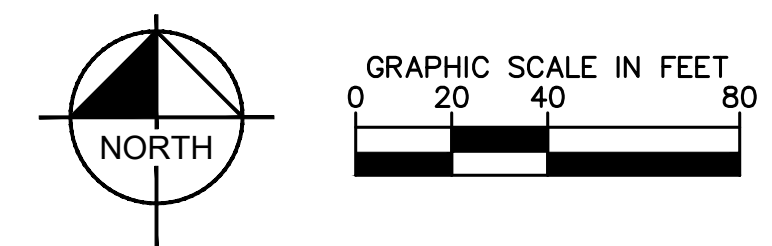
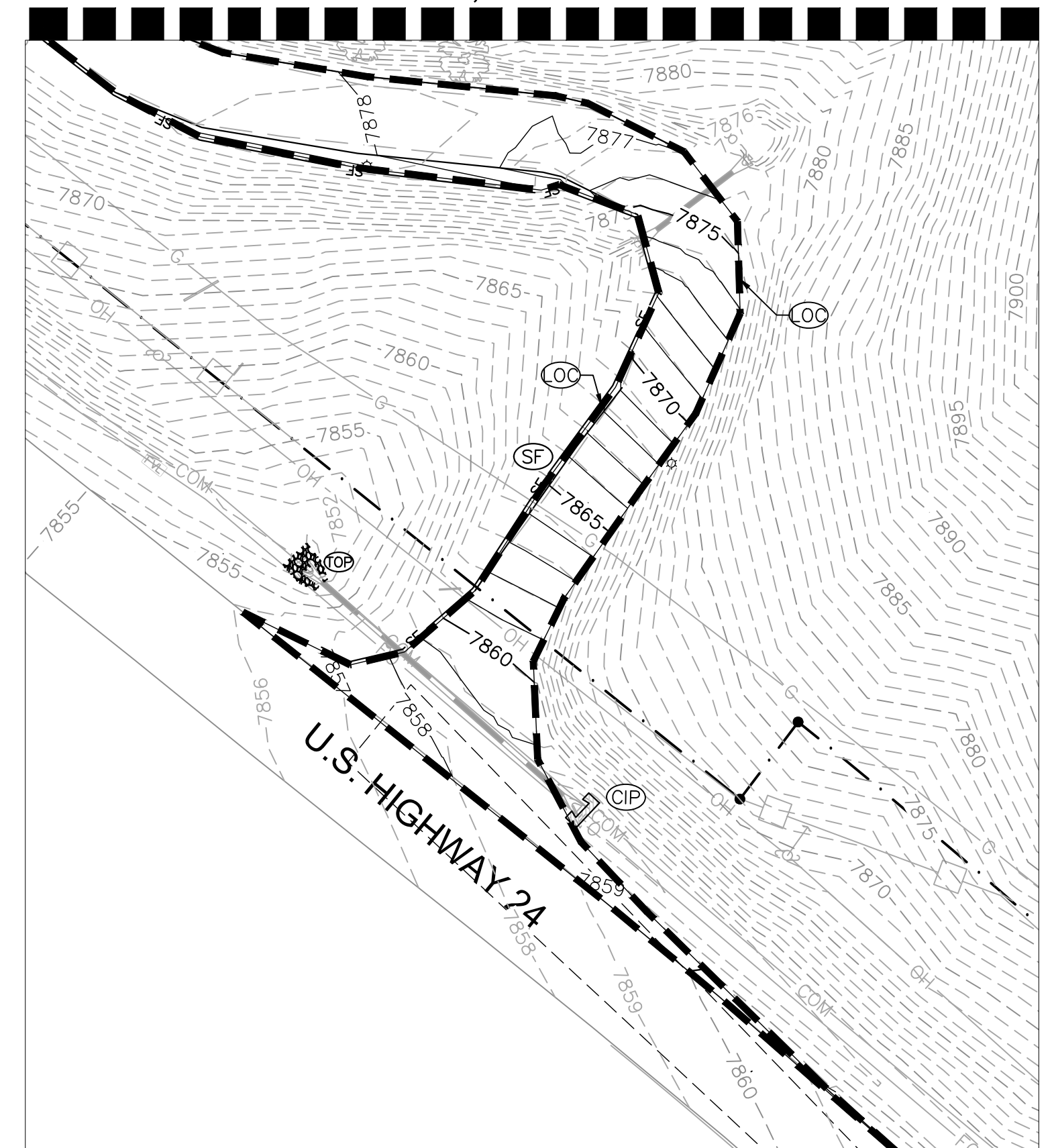
LEGEND

- PROPERTY LINE
- LIMITS OF CONSTRUCTION (LOC)
- SF- SILT FENCE (SF)
- [Brick Pattern] STABILIZED STAGING AREA (SSA)
- [Square with X] CONCRETE WASHOUT (CWA)
- [Zigzag Pattern] INLET PROTECTION (IP)
- [Stippled Area] SOIL STOCKPILE (SP)
- [Arrow] EXISTING FLOW ARROW
- [Arrow] PROPOSED FLOW ARROW
- [Dotted Area] TEMPORARY OUTLET PROTECTION (TOP)
- [Dotted Area] SEDIMENT BASIN (SB)
- [Square with X] CULVERT INLET PROTECTION (CIP)

LIMITS OF CONSTRUCTION

- ONSITE IMPROVEMENTS = ±3.66 ACRES
- OFFSITE IMPROVEMENTS = ±0.00 ACRES
- TOTAL = ±3.66 ACRES

MATCHLINE, SEE THIS SHEET



NO.	REVISION	DATE	BY	APPR.
1	INITIAL SUBMITTAL	JAN 7/19/19	EJG	

Kimley Horn
 2019 KIMLEY-HORN AND ASSOCIATES, INC.
 2 North Nevada Avenue Suite 300 (719) 453-0180
 Colorado Springs, Colorado 80903 (719) 453-0180

DESIGNED BY: EJG
 DRAWN BY: JAR
 CHECKED BY: EJG
 DATE: 7/19/19

**LEGACY CHURCH
 GREEN MOUNTAIN FALLS, COLORADO
 GRADING AND EROSION CONTROL PLANS
 GRADING AND EROSION CONTROL PLAN**

PRELIMINARY
 FOR REVIEW ONLY
 NOT FOR
 CONSTRUCTION
 Kimley Horn
 Kimley-Horn and Associates, Inc.

PROJECT NO.
 096856000
 SHEET
C2.1

Markup Summary

8/12/2019 1:55:55 PM (1)

ERIC LUDENSON, P.E.
(719) 453-0180

Subject: Text Box
Page Label: 1
Author: Daniel Torres
Date: 8/12/2019 1:55:55 PM
Color: ■

Add PCD File No. PPR1933

Add PCD File No. PPR1933

July 19, 2019

8/12/2019 2:02:12 PM (1)

Subject: Callout
Page Label: 11
Author: Daniel Torres
Date: 8/12/2019 2:02:12 PM
Color: ■

Per drainage report this should be zone D (area of undetermined flood hazard)

8/12/2019 2:14:44 PM (1)

Subject: Callout
Page Label: 11
Author: Daniel Torres
Date: 8/12/2019 2:14:44 PM
Color: ■

Please provide the total site area.

8/12/2019 2:25:48 PM (1)

Subject: Text Box
Page Label: 13
Author: Daniel Torres
Date: 8/12/2019 2:25:48 PM
Color: ■

Include the installation of VTC.

8/12/2019 2:27:48 PM (1)

Subject: Callout
Page Label: 11
Author: Daniel Torres
Date: 8/12/2019 2:27:48 PM
Color: ■

include paving of gravel roads

8/12/2019 2:30:26 PM (1)

Subject: Text Box
Page Label: 13
Author: Daniel Torres
Date: 8/12/2019 2:30:26 PM
Color: ■

Please also provide anticipated date of final stabilization.

8/12/2019 2:49:55 PM (1)

Subject: Text Box
Page Label: 18
Author: Daniel Torres
Date: 8/12/2019 2:49:55 PM
Color: ■

Provide description of Long-term stormwater quality (i.e. permanent water quality/detention ponds)