



YOW Architects PC
Architecture & Planning
115 S. Weber Colorado Springs, Colorado 719-475-8133

Revision Schedule

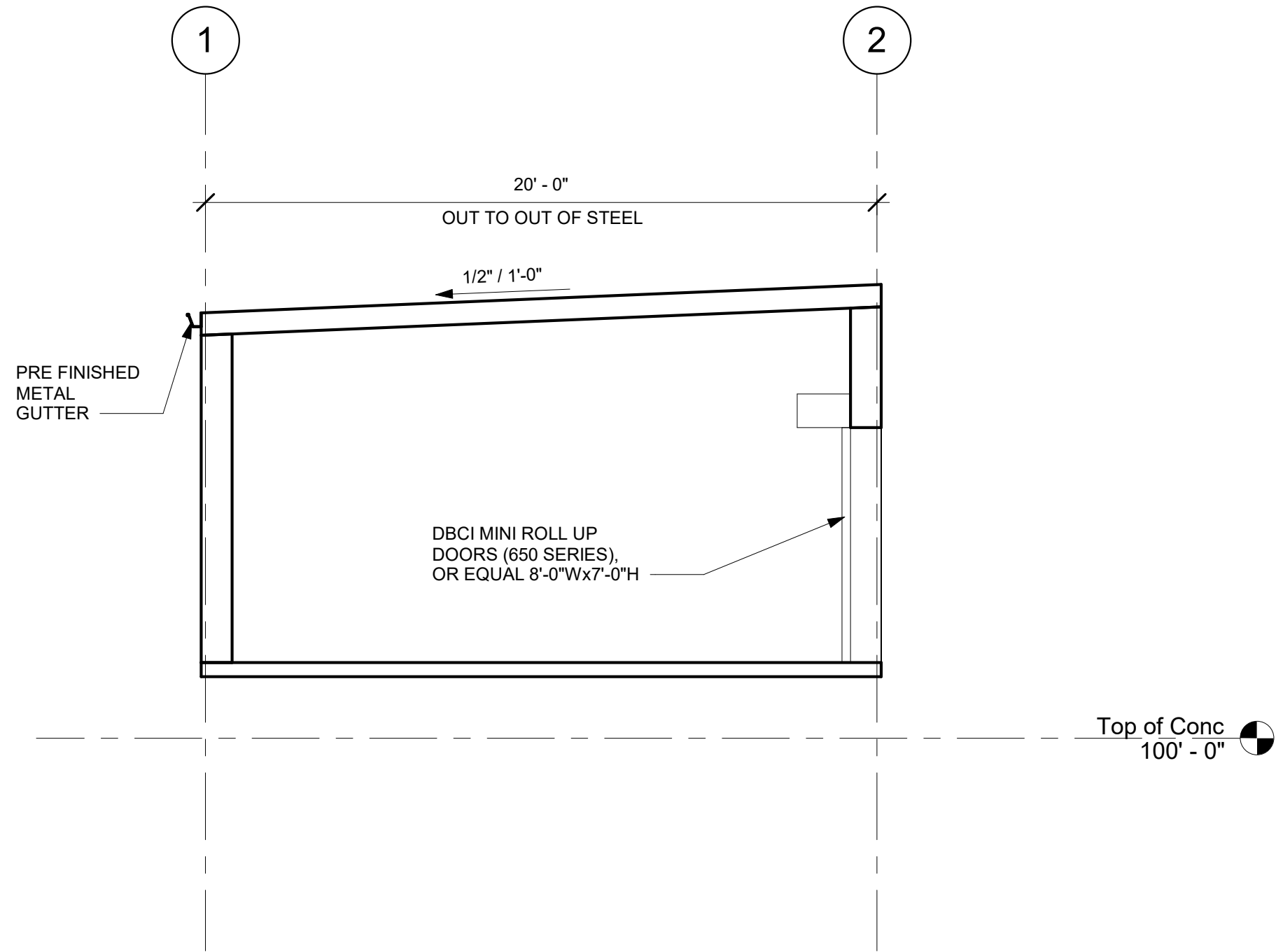
NOT FOR CONSTRUCTION

Meridian Self Storage Facility -
TYPICAL EXTERIOR BUILDING
DEVELOPMENT PLAN

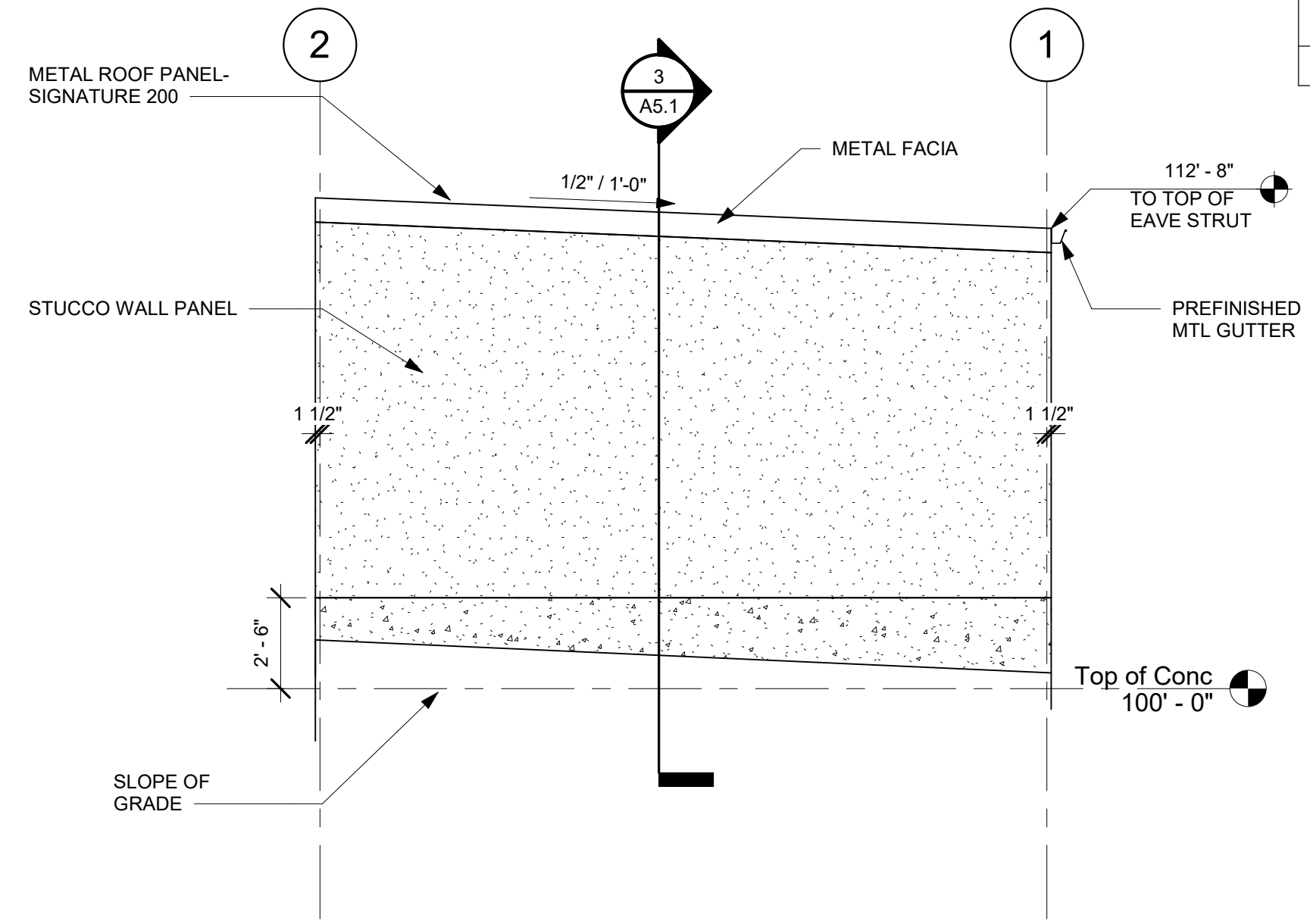
Project Number
23.071
Date
9.7.2023
Drawn By
JB/ATT
Checked By
YOW

A5.1
Building Elevations & Sections
Scale
As indicated

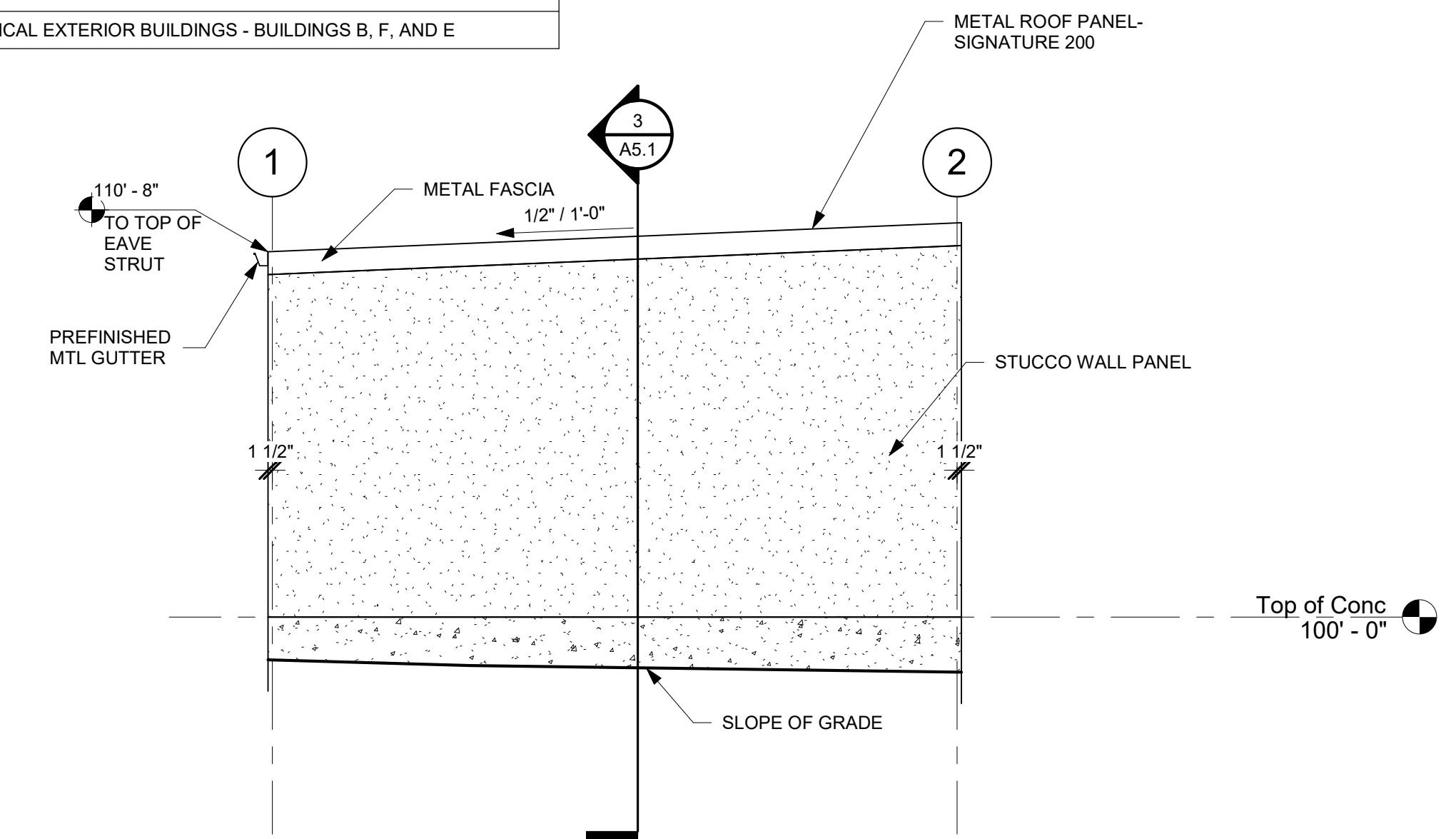
MATERIAL COLOR PALETTE
- WALL PANEL - WILL BE A STUCCO FINISH PANEL FROM THE P.E.M.B. SUPPLIER IN TAN/BEIGE COLOR RANGE
- METAL ROOF PANEL - DARK TAN/BEIGE COLOR RANGE
- METAL TRIM - DARK TAN COLOR RANGE
- GARAGE DOORS - RED
- ROOF METAL PANELS - SIGNATURE 200 METAL PANEL BY P.E.M.B.
- WALL PANELS - STUCCO FINISH PANEL BY P.E.M.B.
TYPICAL EXTERIOR BUILDINGS - BUILDINGS B, F, AND E



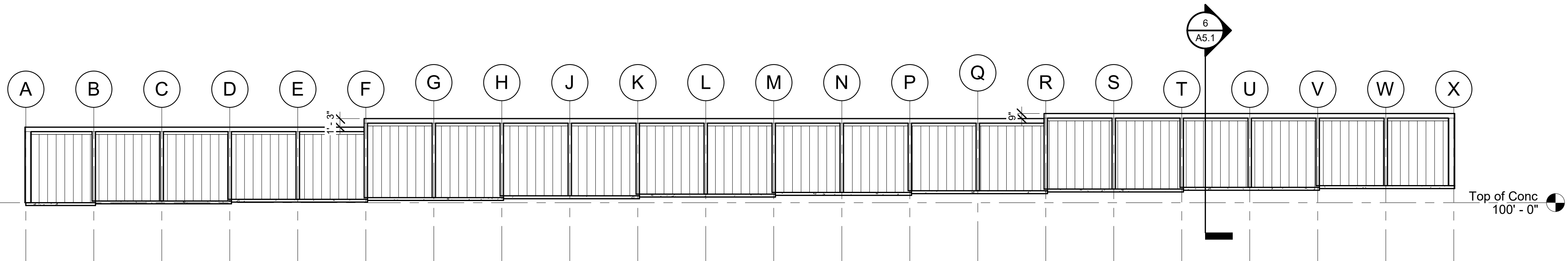
6 Building Section
1/4" = 1'-0"



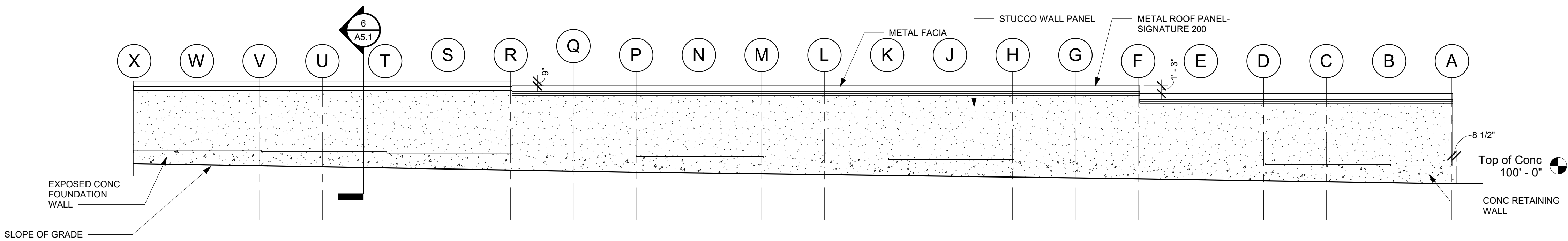
5 Side Wall Elevation - North
1/4" = 1'-0"



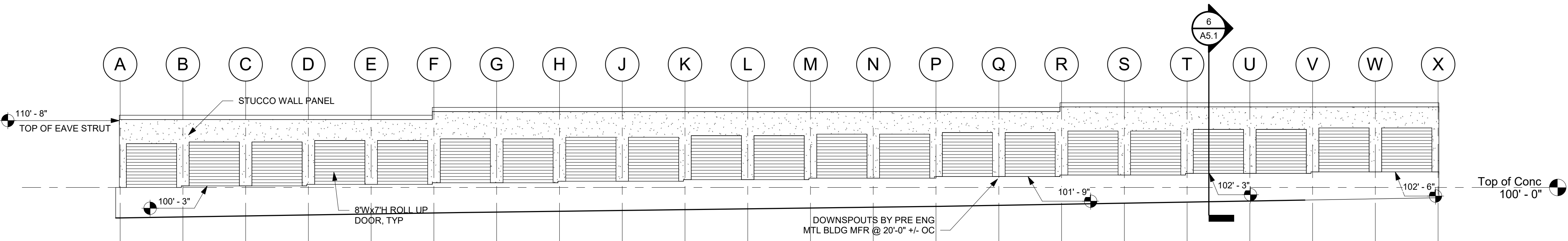
4 Side Wall Elevation - South
1/4" = 1'-0"



3 Building Section 1
3/32" = 1'-0"



2 Back Wall Elevation - Northwest
3/32" = 1'-0"



1 Front Wall Elevation - Southeast
3/32" = 1'-0"

9/7/2023 3:43:36 PM



YOW Architects PC
 Architecture & Planning
 115 S. Weber Colorado Springs, Colorado 719-475-8133

NOT FOR CONSTRUCTION

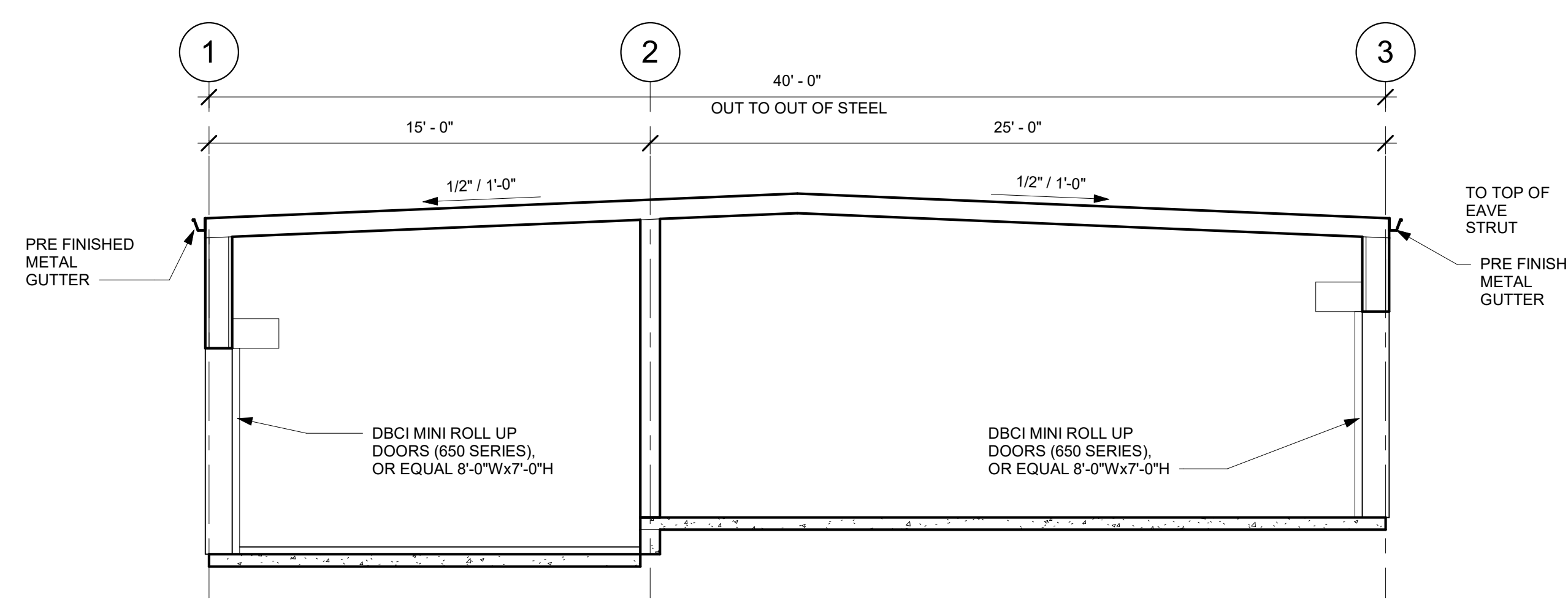
Meridian Self Storage Facility -
 TYPICAL INTERIOR BUILDING
 DEVELOPMENT PLAN

Project Number
23.071
 Date
 9.7.2023
 Revisions

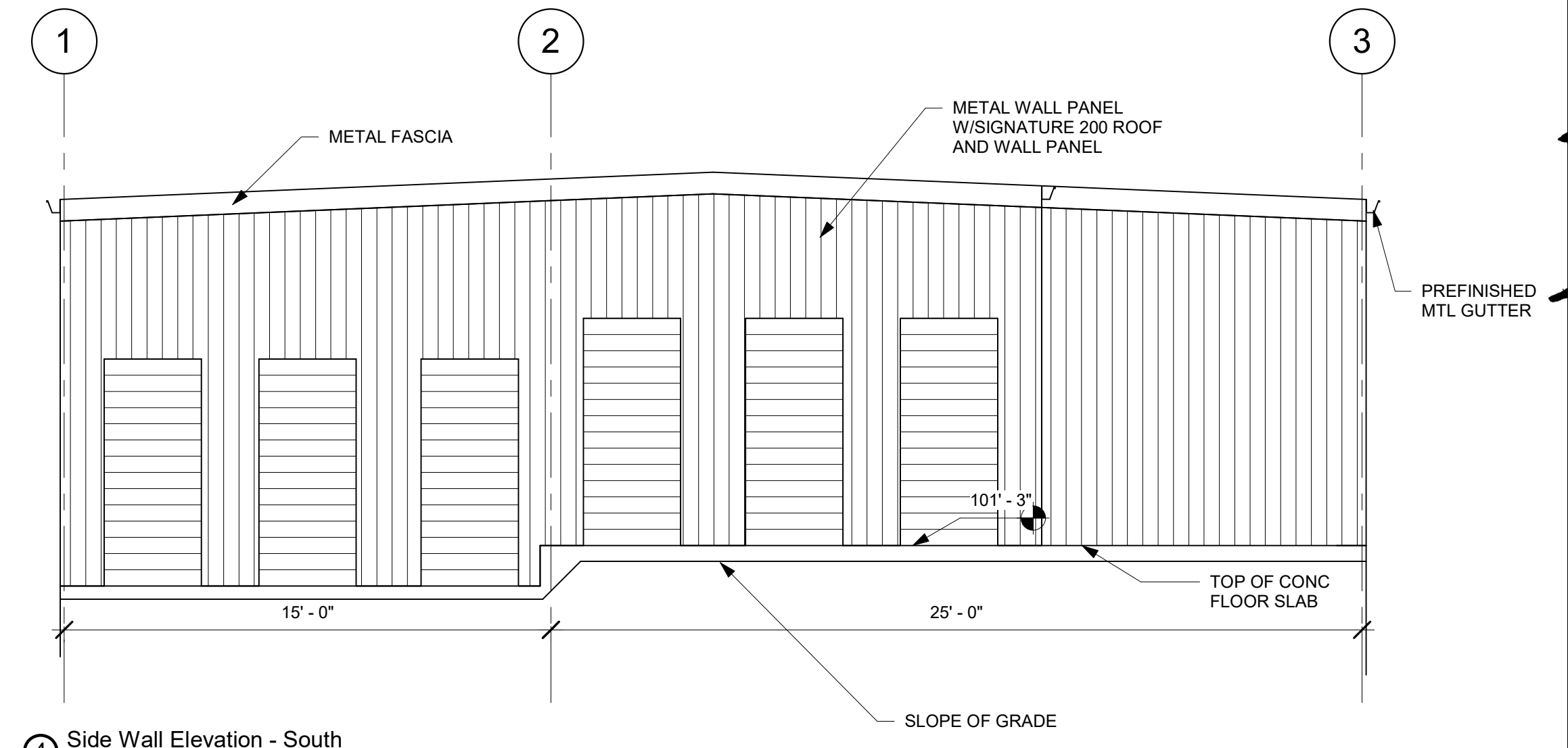
Drawn By
 ATT
 Checked By
 YOW

A5.1
 Building Elevations & Sections
 Scale
 As indicated

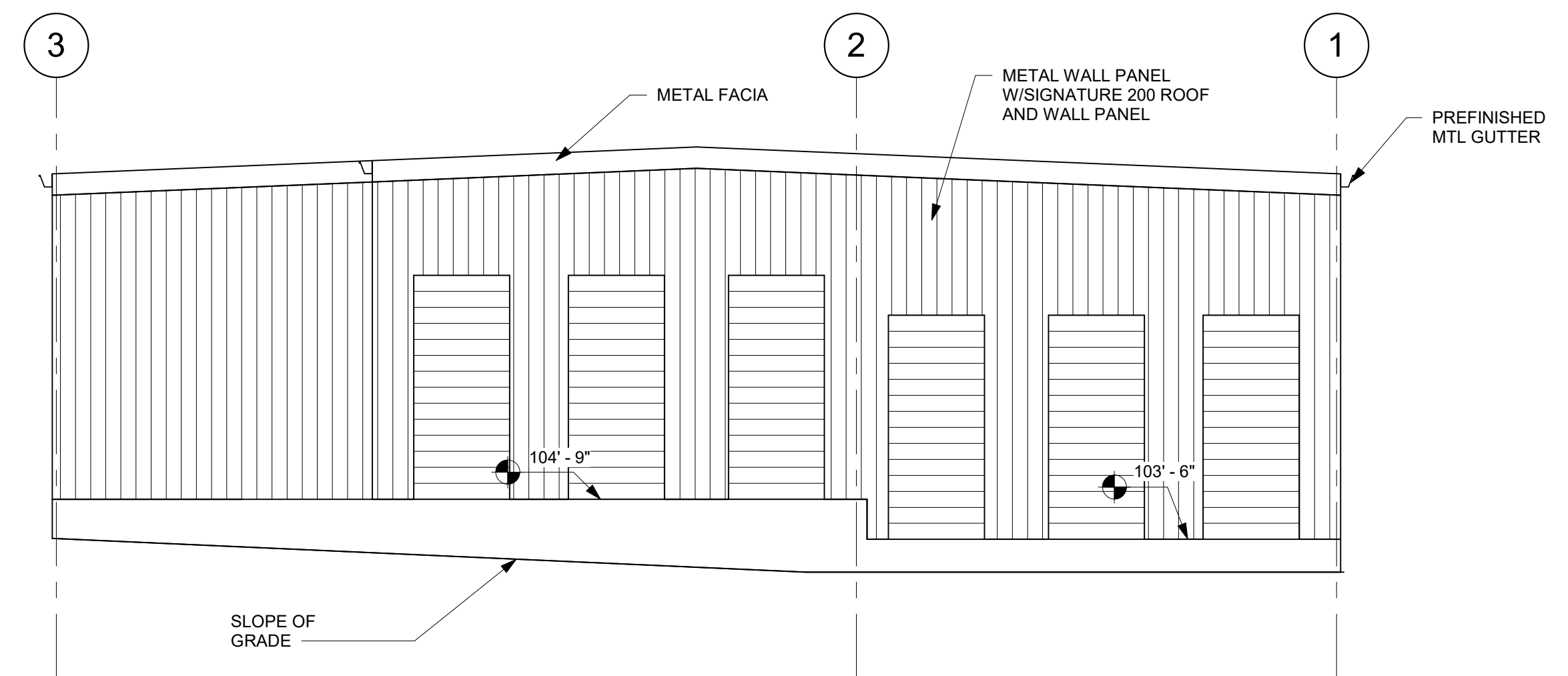
MATERIAL COLOR PALETTE	
- METAL WALL PANEL - TAN/BEIGE COLOR RANGE	
- METAL ROOF PANEL - DARK TAN/BEIGE COLOR RANGE	
- METAL TRIM - DARK TAN COLOR RANGE	
- GARAGE DOORS - RED	
- ROOF AND WALL PANELS - SIGNATURE 200 METAL PANEL BY P.E.M.B.	
TYPICAL INTERIOR BUILDINGS - BUILDINGS C, D, G, H AND J	



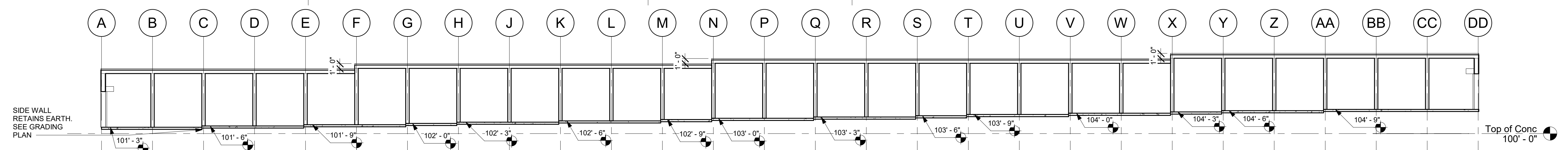
6 Section 1
 1/4" = 1'-0"



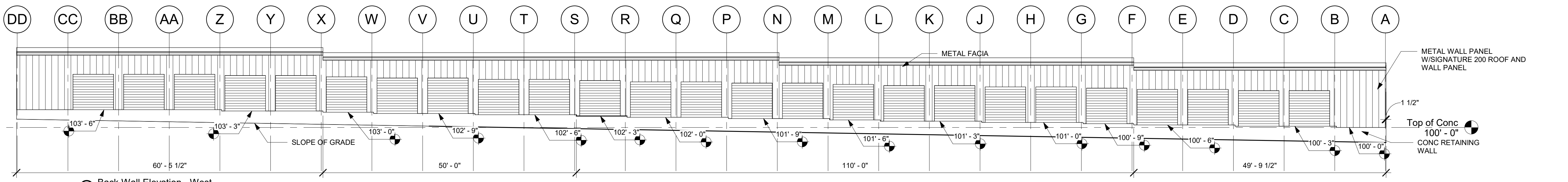
4 Side Wall Elevation - South
 1/4" = 1'-0"



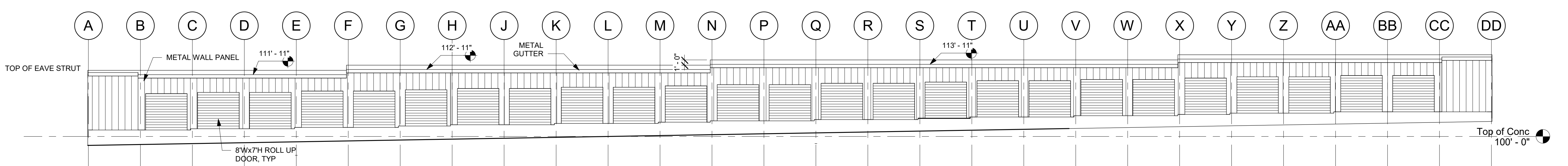
5 Side Wall Elevation - North
 1/4" = 1'-0"



3 Building Section 1
 3/32" = 1'-0"



2 Back Wall Elevation - West
 3/32" = 1'-0"

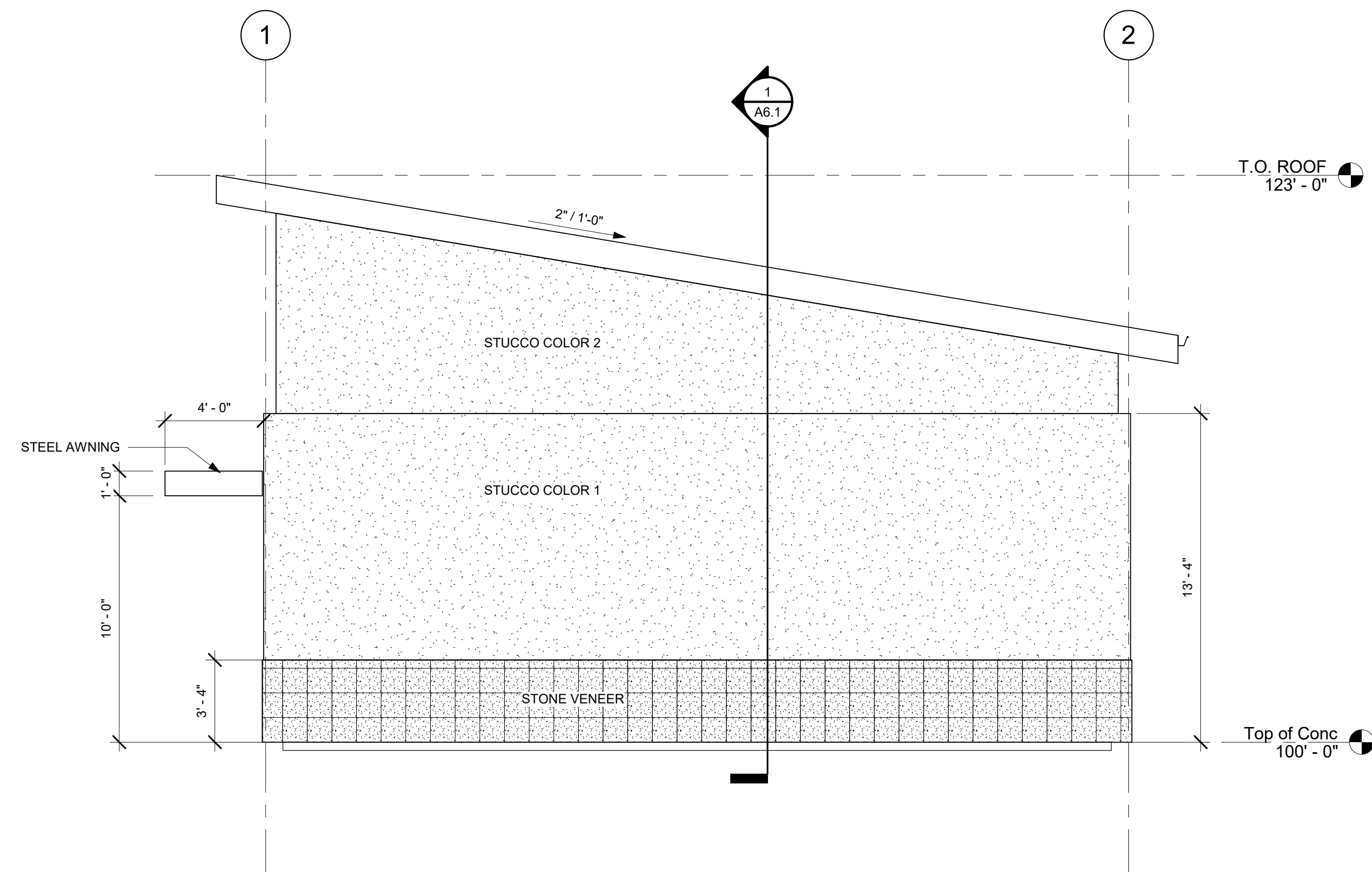


1 Front Wall Elevation - East
 3/32" = 1'-0"

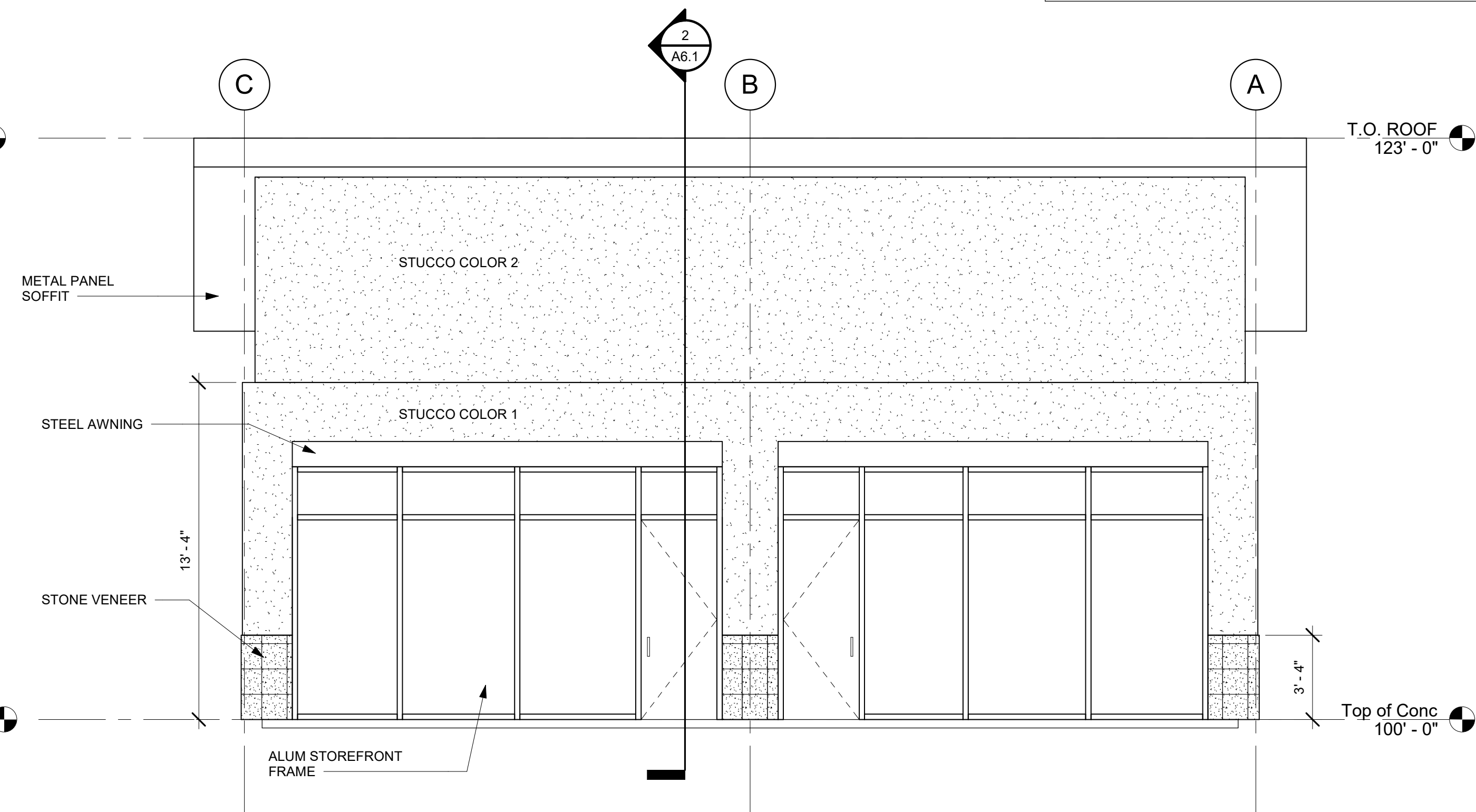
9/7/2023 3:13:33 PM



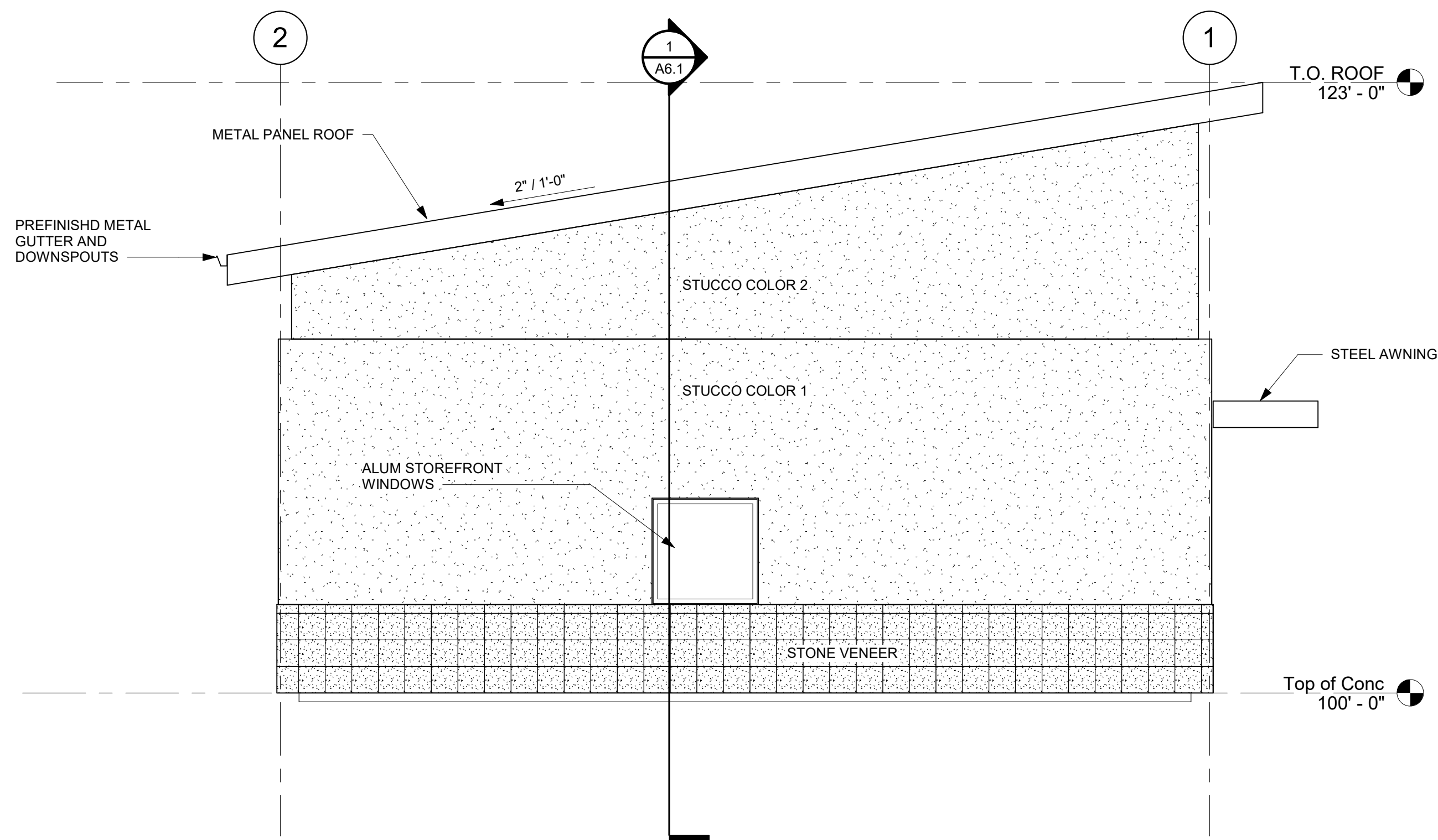
MATERIAL COLOR PALETTE
- METAL ROOF PANEL - RED
- METAL SOFFIT PANEL - RED
- METAL TRIM - RED
- STEEL AWNING - RED
- ALUMINUM STOREFRONT FRAMES - CLEAR ANODIZED
- WINDOWS - CLEAR ANODIZED
- STUCCO COLOR 1 - DARK CHARCOAL
- STUCCO COLOR 2 - BEIGE COLORS
- STONE - TAN COLOR RANGE
- ROOF PANELS - SIGNATURE 200 METAL PANEL BY P.E.M.B.



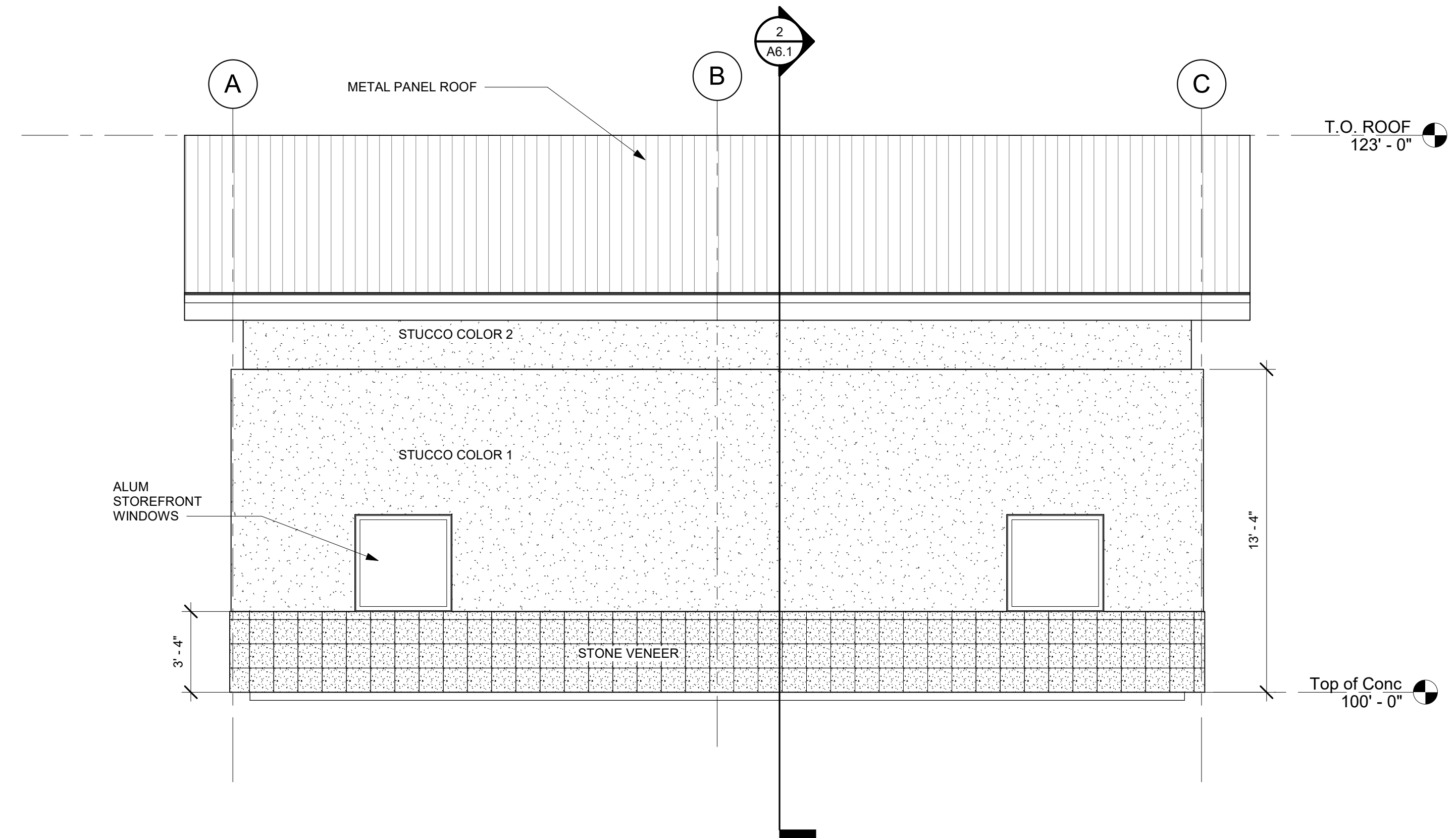
④ South Elevation
1/4" = 1'-0"



② West Elevation
1/4" = 1'-0"



⑤ North Elevation
1/4" = 1'-0"



① East Elevation
1/4" = 1'-0"

YOW Architects PC
Architecture & Planning
115 S. Weber Colorado Springs, Colorado 719-475-8133

Revision Schedule

NO.	DESCRIPTION	DATE

NOT FOR CONSTRUCTION

Meridian Self Storage Facility -
OFFICE BUILDING A
DEVELOPMENT PLAN

Project Number
23.071
Date
9.7.2023
Drawn By
ATT
Checked By
YOW

A5.1
Building Elevations
Scale
1/4" = 1'-0"