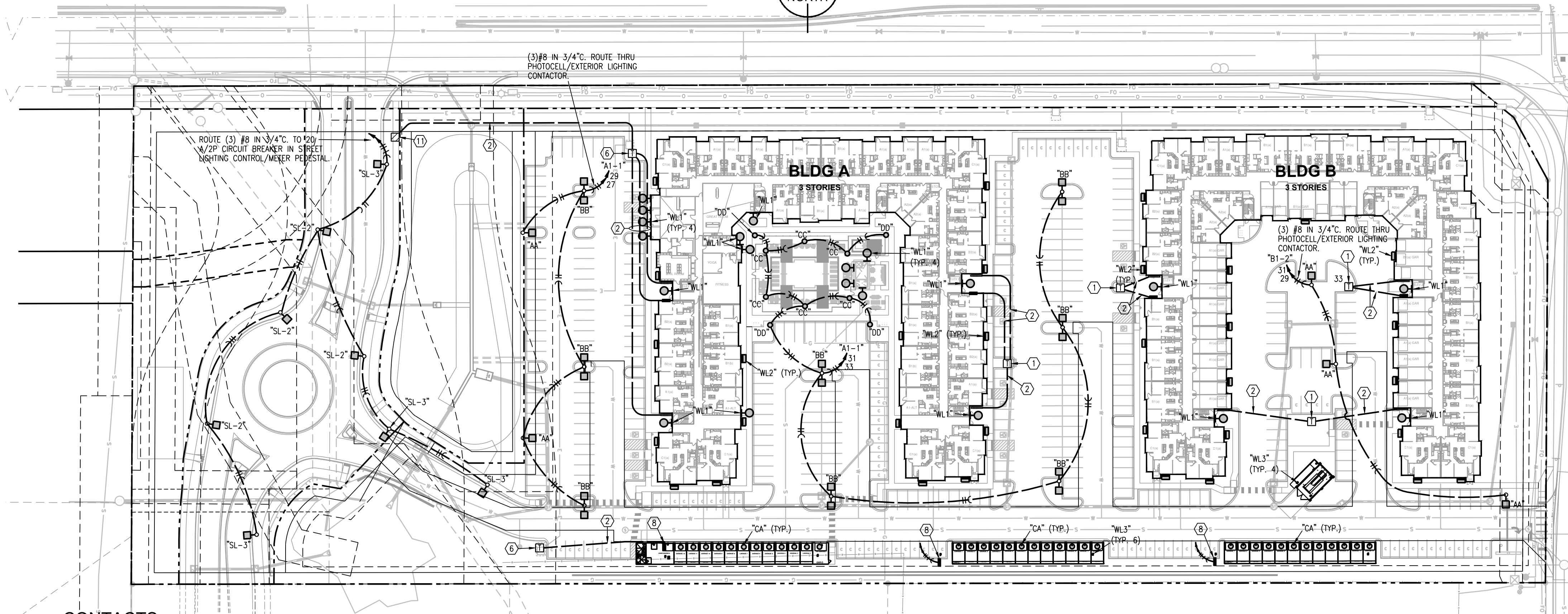
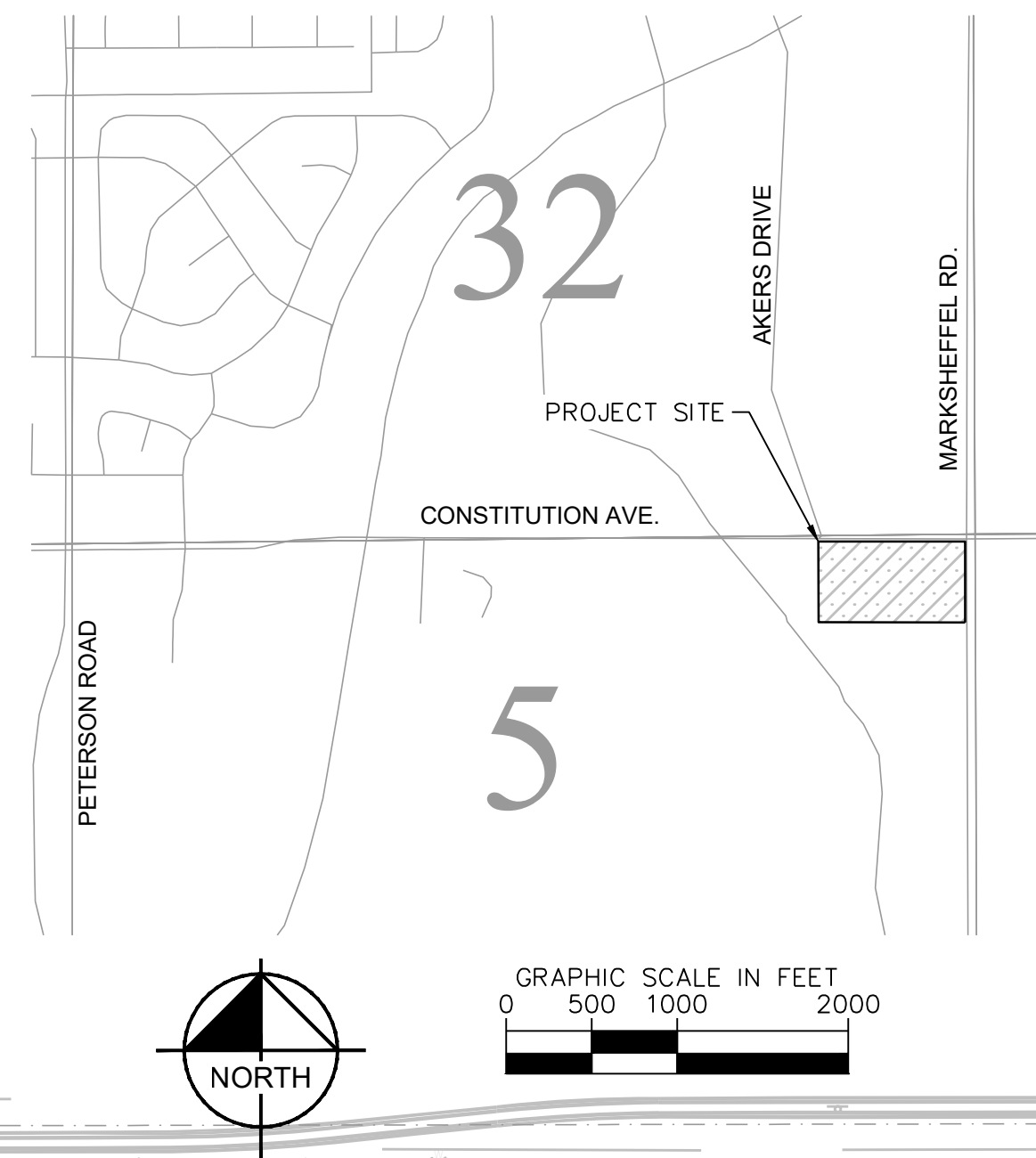


THE CITIZEN ON CONSTITUTION

SITE DEVELOPMENT PLAN

A PORTION OF THE NORTHEAST QUARTER OF SECTION 5, TOWNSHIP 14 SOUTH, RANGE 65 WEST OF THE 6TH P.M.,
CITY OF COLORADO SPRINGS, COUNTY OF EL PASO, STATE OF COLORADO



- NOTES:**
- COORDINATE WATER AND SANITARY SEWER WITH CIVIL DRAWINGS. VERIFY ALL UTILITY LOCATIONS WITH PROVIDERS.
 - PRIMARY AND SECONDARY POWER AND TRANSFORMER LOCATIONS SHOWN ARE PRELIMINARY ONLY. FINAL DESIGN BY COLORADO SPRINGS UTILITIES. VERIFY PRIMARY CONDUIT ROUTING AND REQUIREMENTS/CONTRACTOR RESPONSIBILITIES WITH UTILITY COMPANY AND INCLUDE ALL COSTS. CONTACT JOE REUTER, JREUTER@CSU.ORG
 - CONTRACTOR SHALL INCLUDE IN BASE BID ALL COSTS AND FEES IMPOSED BY THE UTILITY PROVIDERS TO ESTABLISH SERVICE TO THE BUILDING.
 - FIELD VERIFY ALL ABOVE AND BELOW GRADE UTILITIES. CALL 1-800-DIG-SAFE (1-800-344-7233) 48 HOURS PRIOR TO ANY DIGGING FOR UTILITY LOCATORS.
 - REFER TO CIVIL DRAWINGS FOR COORDINATION AND LOCATION OF OTHER BUILDING SERVICES.
 - TRANSFORMER AND LIGHT POLE LOCATIONS SHALL BE COORDINATED WITH OTHER SITE UTILITIES AND LOCATED SUCH THAT THEY ARE NOT DIRECTLY ABOVE UNDERGROUND UTILITIES.
 - PROVIDE PULL STRING IN ALL VOICE/DATA/CATV CONDUITS.
 - REFERENCE BUILDING PLANS FOR CIRCUITING OF BUILDING MOUNTED EXTERIOR LIGHTING

- LEGEND:**
- PROPOSED LOCATION FOR 3 PHASE TRANSFORMER. TRANSFORMER BY POWER COMPANY. PAD BY CONTRACTOR ACCORDING TO POWER COMPANY STANDARDS.
 - FEEDERS AND CONDUIT FOR SECONDARY SERVICE FROM TRANSFORMER TO BUILDING ALONG WITH TRENCHING AND BACKFILL BY CONTRACTOR. TRANSFORMER BY POWER COMPANY. REFER TO RISER DIAGRAM FOR DETAILS.
 - 24"x36"x30" QUARTZITE HANDHOLE FOR TELE/DATA/CATV SYSTEMS. VERIFY SIZE, QUANTITY AND LOCATION WITH UTILITY PROVIDER(S).
 - (3) 4" C. FOR VOICE/DATA/CATV SYSTEMS AT 36" MIN. BELOW-GRADE. VERIFY SIZE AND QUANTITY WITH UTILITY PROVIDER(S).
 - ROUTE (3) 4" C. FOR VOICE/DATA/CATV SYSTEMS TO DEMARC LOCATION AT 36" MIN. BELOW-GRADE. VERIFY SIZE, QUANTITY AND DEMARC LOCATION WITH UTILITY PROVIDER(S).
 - PROPOSED LOCATION FOR 1 PHASE TRANSFORMER TRANSFORMER POWER COMPANY. PAD BY CONTRACTOR ACCORDING TO POWER COMPANY STANDARDS.
 - 3/4" C. UP TO GAS GRILL (90 MBH). PROVIDE WITH GAS SHUTOFF VALVE AND SOLENOID VALVE. CONNECTED TO TIMER. REFERENCE LANDSCAPE DRAWINGS.
 - GARAGE PANEL. REFER TO SHEET ME201 FOR SIZE. FEEDER SHALL CONSIST OF (4) #8 IN 1" C. TO DESIGNATED HOUSE PANEL IN BUILDING #2.
 - (3) #8 IN 3/4" C. ROUTE THRU PHOTOCELL/EXTERIOR LIGHTING CONTACTOR IN CLUBHOUSE.
 - POWER/USB PEDESTAL. REFER TO LANDSCAPE DRAWINGS.
 - STREET LIGHTING CONTROL/METER PEDESTAL EQUAL TO MYERS POWER PRODUCTS, INC. #MUG16-M100. 120/208 V., 1PH., NEMA 3R. PROVIDE WITH 100 A. MCB, BUILT-IN LIGHTING ARRESTOR, PHOTOCELL, AUTO-TEST SWITCH AND SLIP FITTING FOR CONCRETE PAD MOUNTING.

CONTACTS:

OWNER:
THE GARRETT COMPANIES, INC.
1051 GREENWOOD SPRINGS BLVD, SUITE 101
GREENWOOD, IN 46143
TEL: (317) 497-8275
CONTACT: ANDREW WHITE

EL PASO COUNTY:
EL PASO COUNTY
PCD DEPARTMENT
2880 INTERNATIONAL CIRCLE, SUITE 110
COLORADO SPRINGS, CO 80910
PHONE: (719) 520-6300

ENGINEER:
KIMLEY-HORN AND ASSOCIATES, INC.
4582 SOUTH ULSTER STREET, SUITE 1500
DENVER, CO 80237
TEL: (303) 228-2318
CONTACT: DAN SKEEHAN, P.E.

SURVEYOR:
BARRON LAND, LLC
2790 N. ACADEMY BLVD. SUITE 311
COLORADO SPRINGS, CO 80917
TEL: (719) 360-6827
CONTACT: SPENCER BARRON, PLS

1 SITE PLAN
1"=60'-0" ELECTRICAL



MOH	9/12/2022	MOH	10/24/2022
1	1	NO.	REVISION
2	2	NO.	REVISION
		BY	DATE
			APPR

3888 SW Summerfield Drive, Suite A
Colorado Springs, CO 80907
8888 Colorado Boulevard, Suite 102
Overland Park, Kansas 66210
Telephone: (785) 233-3252
Email: lsand@lsand.com
LSA PROJECT NO: 2207004

LS&A
Larimer Summers
& Associates, P.A.
CONSULTING ENGINEERS

DESIGNED BY: DBE
DRAWN BY: CAD
CHECKED BY: DBE
DATE: 04/18/2022

THE CITIZEN ON CONSTITUTION
EL PASO COUNTY, COLORADO
SITE DEVELOPMENT PLAN
SITE PLAN - ELECTRICAL

PRELIMINARY
FOR REVIEW ONLY
NOT FOR
CONSTRUCTION
Kimley-Horn
Kimley-Horn and Associates, Inc.

PROJECT NO.
096481004

SHEET

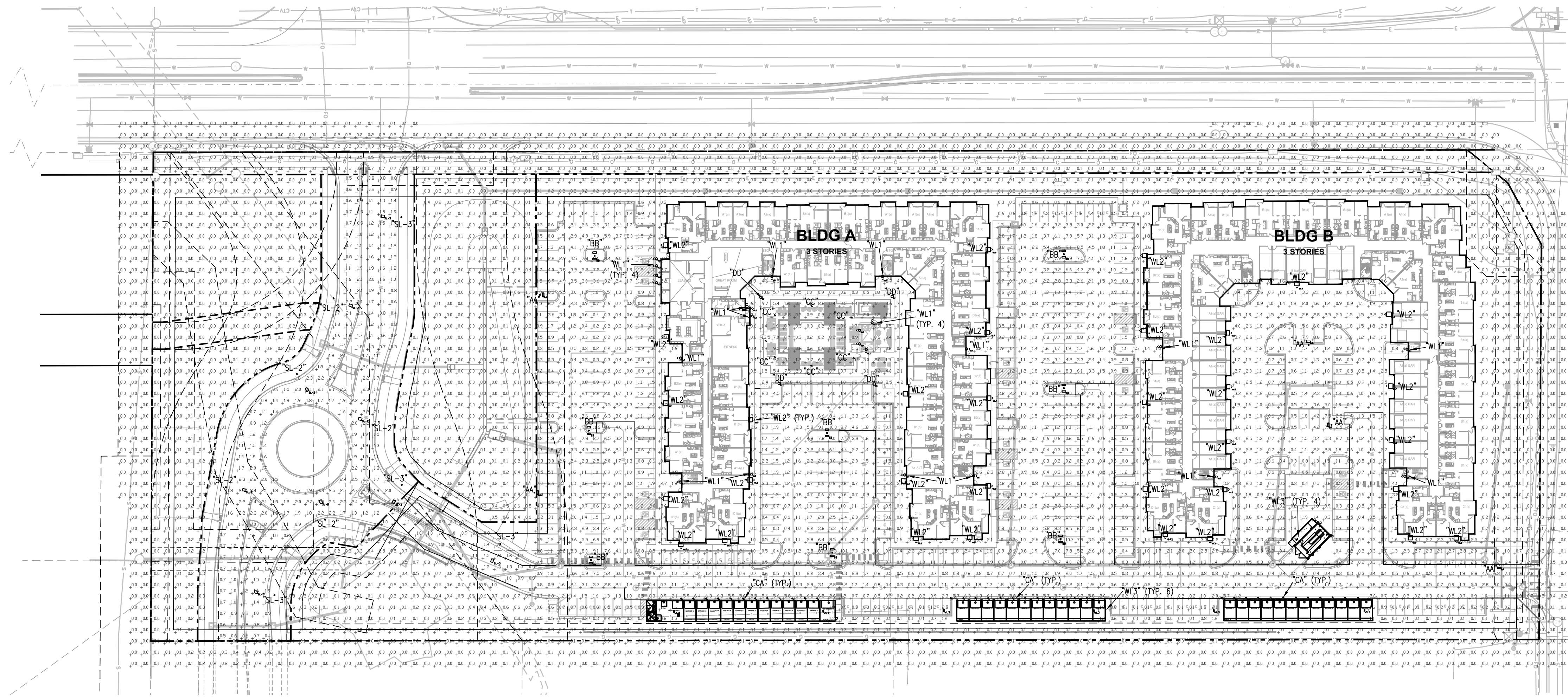
E0-01

10-24-22

THE CITIZEN ON CONSTITUTION

SITE DEVELOPMENT PLAN

A PORTION OF THE NORTHEAST QUARTER OF SECTION 5, TOWNSHIP 14 SOUTH, RANGE 65 WEST OF THE 6TH P.M.,
CITY OF COLORADO SPRINGS, COUNTY OF EL PASO, STATE OF COLORADO



1 **SITE PLAN**
1"=60'-0" PHOTOMETRIC

PHOTOMETRIC STATISTICS (fc)				
Description	Avg	Max	Min	Average/Min
Roundabout	1.6	2.7	0.4	4.0:1
Collector Roads	1	2	0.3	3.4:1
Site	0.9	18.3	0	-

811 Know what's below.
Call before you dig.

CALL UTILITY NOTIFICATION
CENTER OF COLORADO
1-800-922-1987
CALL 2-BUSINESS DAYS IN ADVANCE
BEFORE YOU DIG, GRADE, OR EXCAVATE
FOR THE MARKING OF UNDERGROUND
MEMBER UTILITIES



10-24-22

THE CITIZEN ON CONSTITUTION
 EL PASO COUNTY, COLORADO
 SITE DEVELOPMENT PLAN
 SITE PLAN - PHOTOMETRICS

PRELIMINARY
FOR REVIEW ONLY
NOT FOR CONSTRUCTION
Kimley-Horn
Kimley-Horn and Associates, Inc.

PROJECT NO.
096481004

SHEET

E0-02

NO.	REVISION	BY	DATE	APPR.
1				
2				

3888 SW Summerfield Drive, Suite A
Overland Park, Kansas 66210
Telephone: (785) 233-3252
Email: lsand@lsand.com
LSA PROJECT NO: 2207004



DESIGNED BY: DBE
DRAWN BY: CAD
CHECKED BY: DBE
DATE: 04/18/2022

THE CITIZEN ON CONSTITUTION SITE DEVELOPMENT PLAN

A PORTION OF THE NORTHEAST QUARTER OF SECTION 5, TOWNSHIP 14 SOUTH, RANGE 65 WEST OF THE 6TH P.M.,
CITY OF COLORADO SPRINGS, COUNTY OF EL PASO, STATE OF COLORADO

EXTERIOR LIGHTING FIXTURE SCHEDULE														
MARK	MANUFACTURER	CATALOG NUMBER	DESCRIPTION	MOUNTING				FINISH	LED	CODE	WATTAGE	LUMENS	LIGHT LOSS FACTOR	REMARKS
				RECESS.	SURF.	WALL	MOUNTING HEIGHT							
"AA"	MAXLITE	MP-AR-100-U-T3-30-B/GMP-PM-B	POLE LIGHT		POLE		20'-0"	DK BRONZE	X	3000K	100	12,460	0.9	1
"BB"	MAXLITE	(2) MP-AR-100-U-T3-30-B/GMP-PM-B	POLE LIGHT		POLE		20'-0"	DK BRONZE	X	3000K	100	24,920	0.9	1,2
"CC"	MAXLITE	BL-CLRD17U-30-B	BOLLARD		BOLLARD		3'-8"	DK BRONZE	X	3000 K	17	1081	0.9	
"DD"	MAXLITE	PTSM-53UTS-30B	POST TOP		POLE		12'-0"	DK BRONZE	X	3000K	53	6830	0.9	3
"SL-2"	AMERICAN ELECTRIC LIGHTING	ATB0-P203-MVOLT-R3	STREET POLE LIGHT		POLE		25'-0"	DK BRONZE	X	3000K	70	10,056	0.9	4
"SL-3"	AMERICAN ELECTRIC LIGHTING	ATB0-P203-MVOLT-R4	STREET POLE LIGHT		POLE		25'-0"	DK BRONZE	X	3000K	70	10,056	0.9	4
"WL1"	PROGRESS LIGHTING	P5676-2030K9	WALL MOUNTED LIGHT			X	6'-0"	DK BRONZE	X	3000K	9	400	0.9	
"WL2"	MAXLITE	WPCL-70-U-T4-CS-B	WALL MOUNTED LIGHT			X	20'-0"	DK BRONZE	X	3000K	70	8,872	0.9	
"WL3"	HUBBELL LIGHTING	LNC-SLU-3K-3	WALL MOUNTED LIGHT			X	8'-0"	DK BRONZE	X	3000K	13	833	0.9	
"CA"	MAXLITE	DL7119CSWH	SURFACE DOWN LIGHT			X	9'-0"	WHITE	X	3000K	11	1000	0.9	

- REMARKS:
- Provide with 20' tall direct buried screw in pole.
 - Provide with (2) heads mounted on single pole, 180 degrees apart
 - Provide with 12' tall direct buried screw in pole. Post top mounting.
 - Provide with 25' straight round steel pole. Dark Bronze in Color.

AA, BB MPulse AREA LIGHT

A stunning blend of performance, value and aesthetics, the MPulse Area Light is available in a wide range of lumen packages to address a variety of outdoor lighting needs. The Area Light can be combined with a full, architectural-grade LED family to create a total site solution for commercial, municipal, retail, education, and hospitality applications. Optional visual comfort optics distribute light through a non-polluted light source that creates uniform, eye-pleasing illumination with minimal glare. The high-performance, IP66-rated luminaire delivers a minimum of 120 lumens per watt, providing significant energy savings while remaining durable in the field.



DIMENSIONS: Please see pg. 4 for dimensional drawings. 100W-300W also available for wall mount applications, use QMP-KS mount

- PERFORMANCE:**
- Available in lumen packages ranging from 12,400lm to 38,400lm
 - Calculated lumen maintenance value of > 90% (L90) at 100,000 hours calculated at 25°C
 - 120-277V dimming standard. 347-480V options available
 - 10KV surge suppression standard
- OPTICS:**
- Available in Type II, Type III, Type IV, and Type V optics
- OPTIONS:**
- NEMA 3-pin and 7-pin photocell receptacle
 - High/Low/Off PIR fixture-integrated photo/motion sensor compatible with FSIR-100 remote control
- FINISHES:**
- Satin bronze and silver finish standard
- CONTROLS:**
- Photo/Motion Sensor:** The Wattstopper FSP-211 uses passive infrared (PIR) sensing technology to react to changes in infrared energy (i.e. moving body heat) within the coverage area. This slim, low-profile sensor is designed for installation inside the bottom of a light fixture body and is ideal for outdoor environments. The sensor operates at 120V/230V-240V and single phase 277V. The motion sensor is fully adjustable with dimmed light level options as well as on/off dusk to dawn control. Sensor can be combined with various lenses to operate at mounting heights from 6' to 40'. Factory settings can be adjusted via the FSIR-100, a wireless configuration tool. **Note that the sensor comes with photocell setting disabled and the FSIR-100 must be purchased if photocell functionality is desired.**
- FACTORY DEFAULTS:**
- | | |
|-------------|-------|
| High Mode | 10V |
| Low Mode | IV |
| Time Delay | 5 Min |
| Cut Off | Max |
| Sensitivity | Max |
- CONSTRUCTION:**
- Die Cast Aluminum housing
 - Tempered Glass
 - 12' 18/3 cord standard
- MOUNTING:**
- Straight arm, trunion swivel, and 2-3/8" slipfitter knuckle options available.
- ENVIRONMENT:**
- Listed for use in wet locations to UL standards and IP66 rated.
- PHOTOMETRICS:**
- Please see page 6 for Iso-footcandle layouts. All IES files available online.
- WARRANTY:**
- 10-year standard warranty with labor allowance* (further details available at www.maxlite.com/warranties)
- *Warranty Limitations: Product must be rated for the application per the Product Data Sheet (PDS); operated <16 hrs/day in ambient of -29°F to 104°F.
- *Up to \$25/unit; labor allowances of up to \$500/unit available for purchase - contact MaxLite representative for details.

IPC, P17 Options: Allow the use of 3rd party distributed intelligence controllers designed to connect to the fixture via our NEMA standard C136.41 3-, and 7-pin twist lock receptacle to provide dimming and On/Off control. Separate Photocell options are available, see page 2.

MaxLite Phone: 1-800-555-5629 | Fax: 973-244-7333 | Web: www.maxlite.com | E-mail: info@maxlite.com | MAX18182

Submittal by Insulation Products
jia.rago@insulationproducts.com M-317-372-4947
All Rights Reserved

CC MaxLite A NEW WAVE OF LIGHT

PROJECT NAME: _____ CATALOG NUMBER: _____
NOTES: _____ FIXTURE SCHEDULE: _____

PATHMAX™ LED BOLLARDS CLASSIC SERIES DOME TOP



BL	BL FAMILY	RO	RO SHAPE	RO WATTAGE	RO VOLTAGE	U	U VOLTAGE	LED MODULE	FINISH	DISTRIBUTION	HEIGHT	OPTIONS
B1	Bollard	CL2	Round	18W	18W	U	120-277V	30-300K, 40-400K, 50-500K, 80 CR	B1	Wide Beam	30" or 42"	MS=Daylight/Motion Sensor (On/Off) RPC=NEMA 3-pin receptacle (Photocell sold separately)
B2	Bollard	CL2	Round	17W	17W	U	120-277V	30-300K, 40-400K, 50-500K, 80 CR	B2	Wide Beam	30" or 42"	MS=Daylight/Motion Sensor (On/Off) RPC=NEMA 3-pin receptacle (Photocell sold separately)

Phone: 1-800-555-5629 | Fax: 973-244-7333 | Web: www.maxlite.com | E-mail: info@maxlite.com | MAX18184

Submittal by Insulation Products
jia.rago@insulationproducts.com M-317-372-4947
All Rights Reserved

MaxLite A NEW WAVE OF LIGHT

DD

LED POST TOP SPIDER MOUNT PTSM SERIES



- PRODUCT DESCRIPTION:**
- Maxlite's Post Top Spider Mount offers a sleek, stylish area fixture ideal for pathways and parks for general area lighting applications. It comes in 3 different outputs and offers photocell and motion sensor options.
- FEATURES:**
- Die cast aluminum housing with corrosion resistant powder coat paint finish
 - 6,800-15,000 lumens
 - Choice of 53/78/143W, 126-130 lm/W
 - Available in 3000K, 4000K or 5000K
 - 120V-277V, 50/60Hz
 - UV stabilized vandal resistant polycarbonate lens
 - Slip fitter mounting fits 2 3/8" tenon
 - Passes ANSI 3G vibration test
 - On/Off Motion sensor or 3pin NEMA twist lock photocell receptacle available as options
 - cULus certified for WL
- CONSTRUCTION:**
- Extruded Aluminum Housing
 - Clear Polycarbonate lens
 - An optional GFCI can be installed and centered 12" from the top of the shaft
- ENVIRONMENT:**
- CSA Group for wet locations
 - IP65 rated Optical system
- INSTALLATION:**
- Flush Mounting Base with Vandal Resistant Screws
 - Installation Kit with 8" Anchor Bolts Included
- WARRANTY:**
- 10-year standard warranty with labor allowance* (further details available at www.maxlite.com/warranties)
- *Warranty Limitations: Product must be rated for the application per the Product Data Sheet (PDS); operated <16 hrs; in ambient of -29°F to 104°F.
- *Up to \$25/unit; labor allowances of up to \$500/unit available for purchase - contact MaxLite representative for details.

MODEL SELECTION		U	TS	B		
FAMILY	WATTAGE (NOMINAL)	VOLTAGE	DISTRIBUTION	CCT	FINISH	OPTIONS
PTSM-Post Top Spider Mount	53-300W 78-78W 143-143W	U=120-277V	TS=Type V	30=3000K 40=4000K 50=5000K	B=Bronze C=Clear M=Maxlite for additional finishes	MS=Daylight/Motion Sensor (On/Off) RPC=NEMA 3-pin receptacle (Photocell sold separately)

DLC OPL						ACCESSORIES		
MODEL NUMBER	PRODUCT ID	MODEL NUMBER	PRODUCT ID	MODEL NUMBER	PRODUCT ID	MODEL # (OPTION CODE)	DESCRIPTION	ACCESSORY IMAGE
PTSM53UTS-30B	PLR0P9HRCM	PTSM143UTS-30B	PL1VYAR1PDU	PTSM143UTS-50B	PL1VYAR1PDU	TREBZ (101877)	Turnon Reducer, 3" to 2-3/8", Bronze	
PTSM53UTS-40B	PLR0E09GCC	PTSM143UTS-40B	PL26293C3MJ	PTSM143UTS-40B	PL26293C3MJ			
PTSM53UTS-50B	PLHXP9E5LAP	PTSM143UTS-50B	PL66XMR0R2J	PTSM143UTS-50B	PL66XMR0R2J			

Phone: 1-800-555-5629 | Fax: 973-244-7333 | Web: www.maxlite.com | E-mail: info@maxlite.com | MAX18211

Submittal by Insulation Products
jia.rago@insulationproducts.com M-317-372-4947
All Rights Reserved

811 Know what's below.
Call before you dig.

CALL UTILITY NOTIFICATION
CENTER OF COLORADO
1-800-922-1987
CALL 2-BUSINESS DAYS IN ADVANCE
BEFORE YOU DIG, GRADE, OR EXCAVATE
FOR THE MARKING OF UNDERGROUND
MEMBER UTILITIES



10-24-22

NO.	DATE	REVISION	BY	DATE	APPR.
1	9/12/2022				
2	10/24/2022				

3888 SW Summerfield Drive, Suite A
Overland Park, Kansas 66210
Tel: (785) 233-3252
Email: lsa@lsasandassociates.com
LSA PROJECT NO: 220704



DESIGNED BY: DBE
DRAWN BY: CAD
CHECKED BY: DBE
DATE: 04/18/2022

THE CITIZEN ON CONSTITUTION
EL PASO COUNTY, COLORADO
SITE DEVELOPMENT PLAN
SITE PLAN - CUT SHEETS

PRELIMINARY
FOR REVIEW ONLY
NOT FOR CONSTRUCTION
Kimley-Horn
Kimley-Horn and Associates, Inc.

PROJECT NO.
096481004

SHEET
E0-03

THE CITIZEN ON CONSTITUTION SITE DEVELOPMENT PLAN

A PORTION OF THE NORTHEAST QUARTER OF SECTION 5, TOWNSHIP 14 SOUTH, RANGE 65 WEST OF THE 6TH P.M.,
CITY OF COLORADO SPRINGS, COUNTY OF EL PASO, STATE OF COLORADO

WL1
PROGRESS LIGHTING

Small Wall Lantern

Wall mounted • Wet location listed PROGRESS LED

Description:

The one-light wall lantern from the Belle LED Collection features neutral undertones and a cage reminiscent of industrial spaces that is ideal for both interior and exterior settings. This fixture is available in convertible ceiling/pendant and wall mount options. Small LED wall lantern. Antique Bronze finish.

Specifications:

- Antique Bronze (20) (painted)
- Aluminum Construction
- Etched glass diffuser
- LED Module is replaceable (part # 93554049)
- Neutral undertones
- Cage reminiscent of industrial spaces
- Ideal for both interior and exterior spaces
- 603 lumens 69.2 lumens/watt per module (source)
- 3000K color temperature, 90a CRI
- Dimmable to 10% brightness (See Dimming Notes)
- Back plate covers a standard 4" octagonal recessed outlet box
- Mounting strap for outlet box included
- 6" of wire supplied
- ENERGY STAR® qualified
- Meets California Title 24 high efficiency requirements for outdoor use only

Performance:

Number of Modules	1
Input Power	9w
Input Voltage	120 V
Input Frequency	60 Hz
Lumens (LPW - Source)	623/69.2 (LM-82)
Lumens (LPW - Delivered)	401/50.9 (LM-79)
CCT	3000 K
CRI	90 CRI
Life (hours)	60,000 (L70/TM-21)
FCC	Meets FCC Title 47, Part 15 Class B
Max. Start Temp	30 °C
Max. Operating Temp	30 °C
Warranty	5 year warranty
Labels	iCMAus Wet location listed ENERGY STAR® qualified Meets California Title 24 high efficiency requirements for outdoor use only

P5676-2030K9

Images:

Dimensions:

Width: 5-1/2"
Depth: 7-3/8"
Height: 10-5/8"
H/CTR: 3"

Glass
Width: 4-3/8"
Length: 4-3/8"
Height: 8-3/4"

For more information visit our website: www.progresslighting.com

Progress Lighting • 701 Millennium Boulevard • Greenville, SC 29607

Submitted by InSolution Products
jin.rago@insolutionproducts.com M-317-372-4947
All Rights Reserved

Page 1 of 2
02/26/2021

Submitted by InSolution Products
jin.rago@insolutionproducts.com M-317-372-4947
All Rights Reserved

WL2
MaxLite
A NEW WAVE OF LIGHT

**WALLMAX™ LARGE CUTOFF
WPCL SERIES**

Built-in level helps ensure straight mounting

CCT Selectable switch
Choose between 3K, 4K or 5K

PRODUCT DESCRIPTION:

WallMax Cutoff Wall Packs are a full cutoff architectural wall mounted fixture ideal for commercial offices, schools and other public administrative buildings. It offers a wide range of outputs and options including CCT selectability so the customer can choose between 3000K, 4000K and 5000K color temperatures.

FEATURES:

- 120V-277V, 347V-480V available
- 0-10V dimming
- Color Selectable between 3000K, 4000K or 5000K

CONTROL OPTIONS:

- Photocontrol (120V-277V)
- Dimmable motion sensor with photocontrol (requires RMRC-100 remote control to program)

INSTALLATION:

- 1/2" threaded conduit hole in the center of the back housing
- 5 1/2" threaded conduit holes, one on each side of the back housing and 2 on the top of the housing
- Built-in level helps ensure straight mounting

CONSTRUCTION:

Die Cast Aluminum housing with polycarbonate LED lens

WARRANTY:

10-year standard warranty with labor allowance* (further details available at www.maxlite.com/warranty)

*Warranty Limitations: Product must be rated for the application per the Product Data Sheet (PDS), operated ≤16 hrs. in ambient of -29°F to 104°F.
*Up to \$25/unit; labor allowances of up to \$500/unit available for purchase – contact MaxLite representative for details.

ORDER STRUCTURE

FAMILY	WATTAGE	VOLTAGE	DISTRIBUTION	CCT	FINISH	OPTIONS*
WPCLa WallMax Cutoff	40w <40W 100w 100W	120-277V 120-277V	T4a Type IV	Cs CCT Selectable (3K, 4K, 5K)	Ba Bronze	EM0a Battery Backup, 0°C, 120V or 277V only EM0b Battery Backup, -20°C, 120V or 277V only MS* PIR Daylight/Motion Sensor PC* 120-277V Button Photocontrol

NOTES:
*EM and MS can be selected together
*MS includes PC function, internal for 120-277V, external for 347-480V, requires F8IR-100 remote control to program (at least one per job location)

ACCESSORY

ORDER CODE	MODEL NUMBER	DESCRIPTION	IMAGE
104799	RMRC-100	REMOTE CONTROL FOR SHARKWARD PRODUCTS, RANGE 50FT INDOORS, NO BACKLIGHT	

Phone: 1-800-555-5629 | Fax: 973-244-7333 | Web: www.maxlite.com | E-mail: info@maxlite.com

PLM391
Rev: 09/11/20
Page 1 of 6
02/26/2021

WL3

LNC
COMPACT LED LITERAK

DATE: _____ LOCATION: _____

TYPE: _____ PROJECT: _____

CATALOG #: _____

FEATURES

- Compact LNC LED is designed for perimeter illumination and available in 3 lumen packages for safety, security and identity
- 3000K, 4000K, 5000K and Amber color temperatures
- Up to 4" spacing to mounting height ratio means fewer fixtures to install
- Acrylic diffuser included! Use for applications near entrances or locations where reduced brightness is desired. (Maximum spacing with diffuser 30")
- Die-cast aluminum housing with decorative Laredo styling
- Full cut-off neighbor friendly
- Listed to UL1598 for use in wet locations

LNC-5L

LNC-7L

LNC-9L

With diffuser

RELATED PRODUCTS

LNC2 LNC3 LNC4

SPECIFICATIONS

CONSTRUCTION

- Decorative die-cast aluminum housing and door
- Rugged design protects internal components and provides excellent thermal management for long life
- Powder paint finishes provide lasting appearance in outdoor environments
- Full cut-off distribution; Ambient diffuser included, use for applications near entrances or locations where reduced brightness is desired

OPTICS

- Drivers are 120-277V, 50/60Hz Type II, III and Type IV lenses provide wide lateral spread
- 3000K - 80 CRI, 4000K - 70 CRI, and 5000K - 70 CRI CCT nominal
- Drivers have greater than .90 power factor and less than 20% Total Harmonic Distortion

INSTALLATION

- Quick mount adapter provides quick installation, designed for recessed box 4" square junction box

ELECTRICAL

- 60,000 hours minimum LED life at L96 rating per IESNA TM-214
- Minimum operating temperature is -40°C/-40°F
- 0-10V dimming 120-277V only
- LNC5L - 5 LEDs, Types II, III or IV available, see page 2 for electrical details
- LNC7L - 7 LEDs, Type II, III or IV available, see page 2 for electrical details
- LNC9L - 9 LEDs, Types II, III or IV available, see page 2 for electrical details

CONTROLS

- Photocontrol option is available to provide dusk-to-dawn control for additional energy savings

KEY DATA

Lumen Range	800-2100
Wattage Range	13-22
Efficacy Range (LPW)	64-95
Fixture Projected Life (Hours)	L96-60K
Weights lbs. (kg)	9.6 (24.5)

Page 03 Rev 01/20/21
LNCLED-SPC

© 2021 Hubbell Outdoor Lighting, a division of Hubbell Lighting, Inc. Specifications subject to change without notice.
701 Millennium Blvd • Greenville, SC 29607 | Tel 864.678.0000 | Website www.hubbelloutdoor.com

NO.	REVISION	BY	DATE	APPR.
1			9/12/2021	MCH
2			10/24/2021	MCH

3888 SW Summerfield Drive, Suite A
Overland Park, Kansas 66210
8658 Colshire Boulevard, Suite 102
Overland Park, Kansas 66210
Telephone: (785) 233-3252
Email: lsand@lsand.com
LSA PROJECT NO: 220704

LS&A

Lalimer Summers & Associates, P.A.
CONSULTING ENGINEERS

DESIGNED BY: DBE
DRAWN BY: CAD
CHECKED BY: DBE
DATE: 04/18/2022

THE CITIZEN ON CONSTITUTION
EL PASO COUNTY, COLORADO
SITE DEVELOPMENT PLAN
SITE PLAN - CUT SHEETS

PRELIMINARY

FOR REVIEW ONLY
NOT FOR CONSTRUCTION

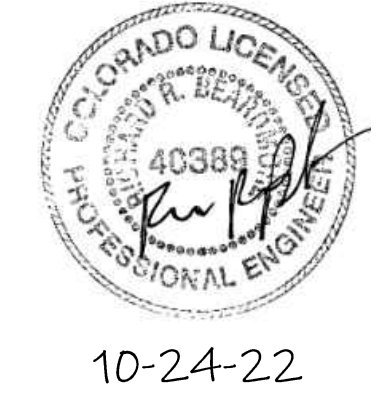
Kimley-Horn

Kimley-Horn and Associates, Inc.

PROJECT NO.
096481004

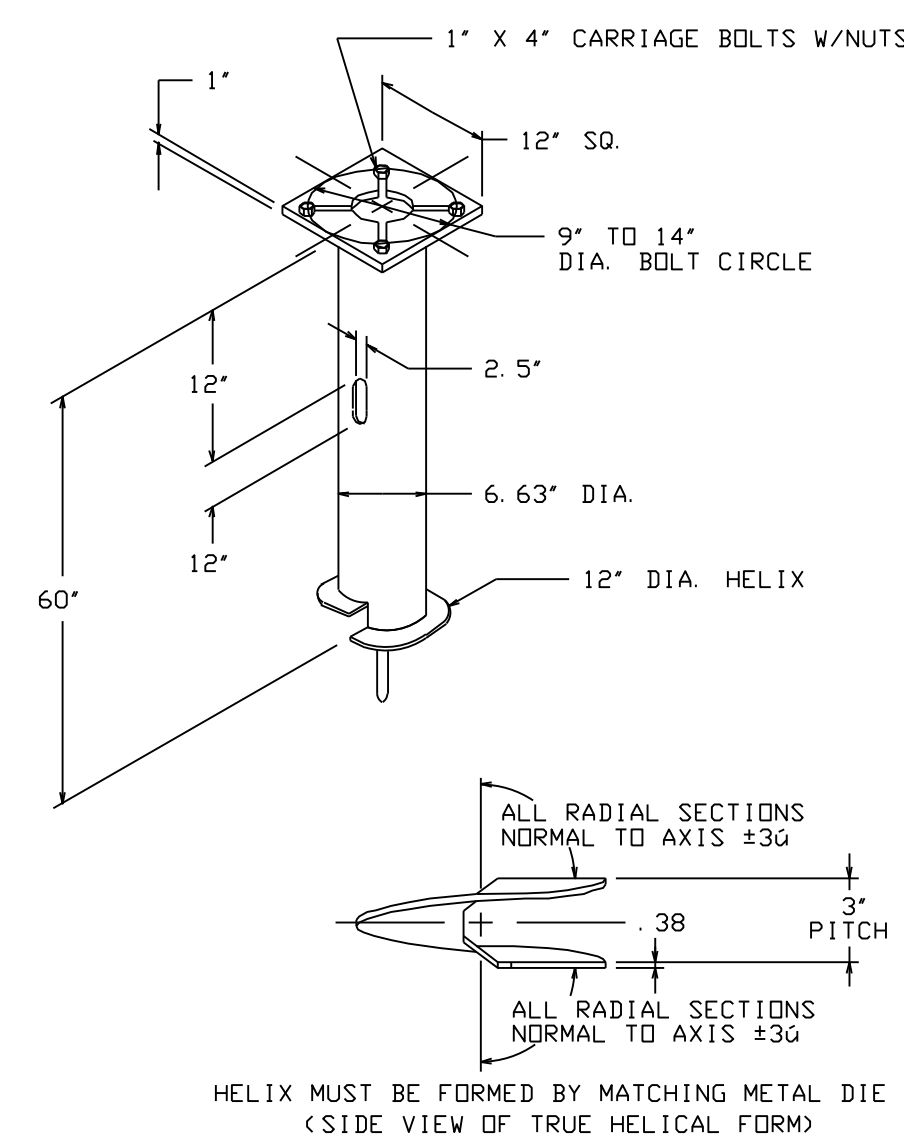
SHEET

E0-04



THE CITIZEN ON CONSTITUTION SITE DEVELOPMENT PLAN

A PORTION OF THE NORTHEAST QUARTER OF SECTION 5, TOWNSHIP 14 SOUTH, RANGE 65 WEST OF THE 6TH P.M.,
CITY OF COLORADO SPRINGS, COUNTY OF EL PASO, STATE OF COLORADO



- NOTES-**
1. FINISH: HOT DIP GALVANIZE PER ASTM-A553 (LATEST REVISION).
 2. BASEPLATE TO BE PERPENDICULAR TO SHAFT AXIS (+/-10) AND HOLE CENTERLINE CONCENTRIC (+/-188) TO SHAFT AXIS.
 3. STENCIL MIN. 1/2" IN. LETTERS MANUFACTURER'S NUMBER AFTER GALVANIZING.
 4. PILOT POINT AND SHAFT AXES TO BE CONCENTRIC (+/-125 FIM) AND IN LINE (+/-20).
 5. FLAME CUT SLOTT PERPENDICULAR TO THE BASEPLATE. PREHEAT, TUMBLEBLAST, HANDGRIND, AND CLEAN BASEPLATE, HELIX, AND PILOT POINT ON ALL WELDED AREAS.
 6. FLAMECUT IRREGULARITIES PERMISSIBLE: (1) VALLEYS NOT TO EXCEED 3/32" IN. BELOW NOMINAL SURFACE LEVEL, (2) PEAKS OR POSITIVE IRREGULARITIES NOT TO EXCEED 1/32" IN. ABOVE NOMINAL SURFACE LEVEL OR INTERSECTIONS OF NOMINAL SURFACES.
 7. MANUFACTURER TO HAVE IN EFFECT INDUSTRY RECOGNIZED WRITTEN QUALITY CONTROL FOR ALL MATERIALS AND MANUFACTURING PROCESSES. ALL MATERIAL IS TO BE NEW, UNUSED AND MILL TRACEABLE MEETING THE FOLLOWING SPECIFICATIONS:
 8. BASEPLATE: ASTM A36 (LATEST REVISION) HOT ROLLED STEEL PLATE, (CONFORM TO AASHTO TECH. BUL. #270)
 9. SHAFT: STEEL PIPE PILES, SEAMLESS OR STRAIGHT WELDED, GRADE-B PER ASTM A552 - ALT. MATERIAL: STEEL PIPE TYPE E OR S, GRADE-B PER ASTM A53
 10. HELIX: ASTM A635 (LATEST REVISION) HOT ROLLED STEEL.
 11. PILOT POINT: ASTM A575 (LATEST REVISION) STEEL BAR.
 12. BOLTS: CARR BOLT PER ANSI B-18.2.1, SAE J429 GRADE-5.
 13. BASEPLATE IS PERMANENTLY STAMPED WITH MANUFACTURER'S IDENTIFICATION "ABC" IN 1/2" LETTERS AND DATE CODE IN 1/4" LETTERS.

1 LIGHT POLE FOUNDATION NO SCALE CAT. NO. C11242NG4VP

CA MaxLite A NEW WAVE OF LIGHT

DISC LIGHT CCT SELECTABLE SERIES



PRODUCT DESCRIPTION:
The LED Disc Light's versatility as a flush mount fixture and surface downlight saves electrical contractors time, labor and space by making it possible to install custom downlighting without a recessed can. This luminaire is wet location rated, CCT selectable (2700K/3000K/4000K/5000K), T10 and ETL listed as both a retrofit kit and a luminaire. The slim-profile Disc Light is available in two sizes, and mounts directly to a 3/4"x5/16" housing and standard 4" J-Box. In other words, more options and fewer SKUs to stock on distributor shelves and job sites!

Providing exceptional performance in general lighting applications for homes, hotels, motels and commercial properties, this series can also serve as a cost-effective temporary lighting solution. The luminaire is the ideal choice for adding energy-efficient and long-lasting downlighting to bathrooms, showers, spas and other indoor wet, damp, dry locations environment.



- FEATURES:**
- E26 screw-base connector included
 - Listed as a fixture and a retrofit
 - Tested and listed with Lutron
- DIMMING:**
- 120V option available with 120V triac dimming (10%)
- MOUNTING:**
- DL6 model fits 3/4" housing and standard 4" J-Box
 - DL7 model fits 3/4"x5/16" housing and standard 4" J-Box
 - E26 screw-base connector included
- CONSTRUCTION:**
- Durable thermoplastic housing
 - Plastic lens
- LISTINGS:**
- ETL listed for Wet Locations
 - ENERGY STAR Certified
 - T20 Listed
 - Supports T24 Part 6 high efficacy lighting requirements
 - JAB Listed for CCTs > 4000K
- WARRANTY:**
5-year standard warranty (further details available at www.maxlite.com/warranties) Product may be eligible for a warranty extension to 10 years, for an additional fee. Contact MaxLite for details.

ORDERING STRUCTURE

FAMILY	SIZE	WATTAGE (NOMINAL)	CRI	CCT	FINISH
DL= Disc Light	6" O.D. 5.20"	69=07W	90=90	CS= 2700K/3000K/4000K/5000K CCT Selectable	Wh= White
	7" O.D. 7.33"	11=11W			

ORDER CODE

ORDER CODE	MODEL NUMBER
103864	DL6079CSWH
103873	DL7119CSWH

COMPATIBLE DIMMERS

DIMMER BRAND	MODELS
LUTRON	DVLU-600P, DVLELV-300P, DV-600P, MAQL-153M, SCL-153P, DVCL-153P, MAELV-600, CTCL-153PDH-WH, TGCL-153PH-WH, DWLCL-153PH-WH

Phone: 1-800-555-5659 | Fax: 973-944-7333 | Web: www.maxlite.com | E-mail: info@maxlite.com
Data subject to change without notice. © Copyright 2020, MaxLite, Inc. All Rights Reserved.

PLM #588
Revised: 12/21/20
MaxLite
Page 1 of 2
02/26/2021

Submitted by InSolution Products
jim.ragot@insolutionproducts.com P#317-372-4947
All Rights Reserved

Autobahn Series ATB0
Roadway Lighting

PRODUCT OVERVIEW

Features: **SL2 (TYPE 2), SL3 (TYPE IV)**

ELECTRICAL

Expected Life: LED light engines are rated >100,000 hours at 25°C, L70. Electronic driver has an expected life of 100,000 hours at a 25°C ambient.

Lower Energy: Saves an expected of 40-60% over comparable HID luminaires.

Robust Surge Protection: Two different surge protection options provide a minimum of ANSI C136.2 10kV/5kA protection. 20kV/10kA protection is also available.

Luminaire ships with a 0-10v dimmable driver. Luminaire is continuous and step dimming capable via AO option or controls installed on P7 photocell receptacle option.

MECHANICAL

Includes standard AEL lineman-friendly features such as tool-less entry, 3 station terminal block and quick disconnects. Bubble level located inside the electrical compartment for easily leveling at installation.

Rugged die-cast aluminum housing and door are polyester powder-coated for durability and corrosion resistance. Rigorous five-stage pre-treating and painting process yields a finish that achieves a scribe creepage rating of 7 (per ASTM D1654) after over 5000 hours exposure to salt fog chamber (operated per ASTM B117).

Mast arm mount is adjustable for arms from 1-1/4" to 2" (1-5/8" to 2-3/8" O.D.) diameter. Provides a 3G vibration rating per ANSI C136.31

Wildlife shield is cast into the housing (not a separate piece).

CONTROLS

NEMA 3 pin photocell receptacle is standard, with the Acuity designed ANSI standard 7 pin receptacle optionally available.

Premium solid state locking style photocell - PCLL (20 year rated life) Extreme long life solid state locking style photocell - PCLL (20 year rated life).

Optional onboard Adjustable Output module allows the light output and input wattage to be modified to meet site-specific requirements, and also can allow a single fixture to be flexibly applied in many different applications.

STANDARDS

DesignLights Consortium® (DLC) Premium qualified product. Not all versions of this product may be DLC Premium qualified. Please check the DLC Qualified Products List at www.designlights.org/QPL to confirm which versions are qualified.

Color temperatures of ≤ 3000K must be specified for International Dark-Sky Association certification.

Rated for -40° to 40°C ambient
CSA Certified to U.S. and Canadian standards.
Complies with ANSI: C136.2, C136.10, C136.14, C136.31, C136.15, C136.37

BUY AMERICAN — Product with the BAA option is assembled in the USA and meets the Buy America(n) government procurement requirements under FAR, DFARS and DOT. Please refer to www.acuitybrands.com/buy-american for additional information.

Note: Specifications subject to change without notice. Actual performance may differ as a result of end-user environment and application.

© 2014-2022 Acuity Brands Lighting, Inc. ATB0 01/22/22

811 Know what's below.
Call before you dig.

CALL UTILITY NOTIFICATION
CENTER OF COLORADO
1-800-922-1987
CALL 2-BUSINESS DAYS IN ADVANCE
BEFORE YOU DIG, GRADE, OR EXCAVATE
FOR THE MARKING OF UNDERGROUND
MEMBER UTILITIES



10-24-22

NO.	REVISION	BY	DATE	APPR.
1			9/12/2022	MCH
2			10/24/2022	MCH

3888 SW Summerfield Drive, Suite A
Overland Park, Kansas 66210
8686 Colorado Blvd., Suite 102
Overland Park, Kansas 66210
Telephone: (785) 233-3252
Email: lsand@lssa.com
LSS&A PROJECT NO. 2207004

LSS&A
Lalimer Summers
& Associates, P.A.
CONSULTING ENGINEERS

DESIGNED BY: DBE
DRAWN BY: CAD
CHECKED BY: DBE
DATE: 04/18/2022

THE CITIZEN ON CONSTITUTION
EL PASO COUNTY, COLORADO
SITE DEVELOPMENT PLAN
SITE PLAN - CUT SHEETS

PRELIMINARY
FOR REVIEW ONLY
NOT FOR CONSTRUCTION
Kimley-Horn
Kimley-Horn and Associates, Inc.

PROJECT NO.
096481004
SHEET
E0-05