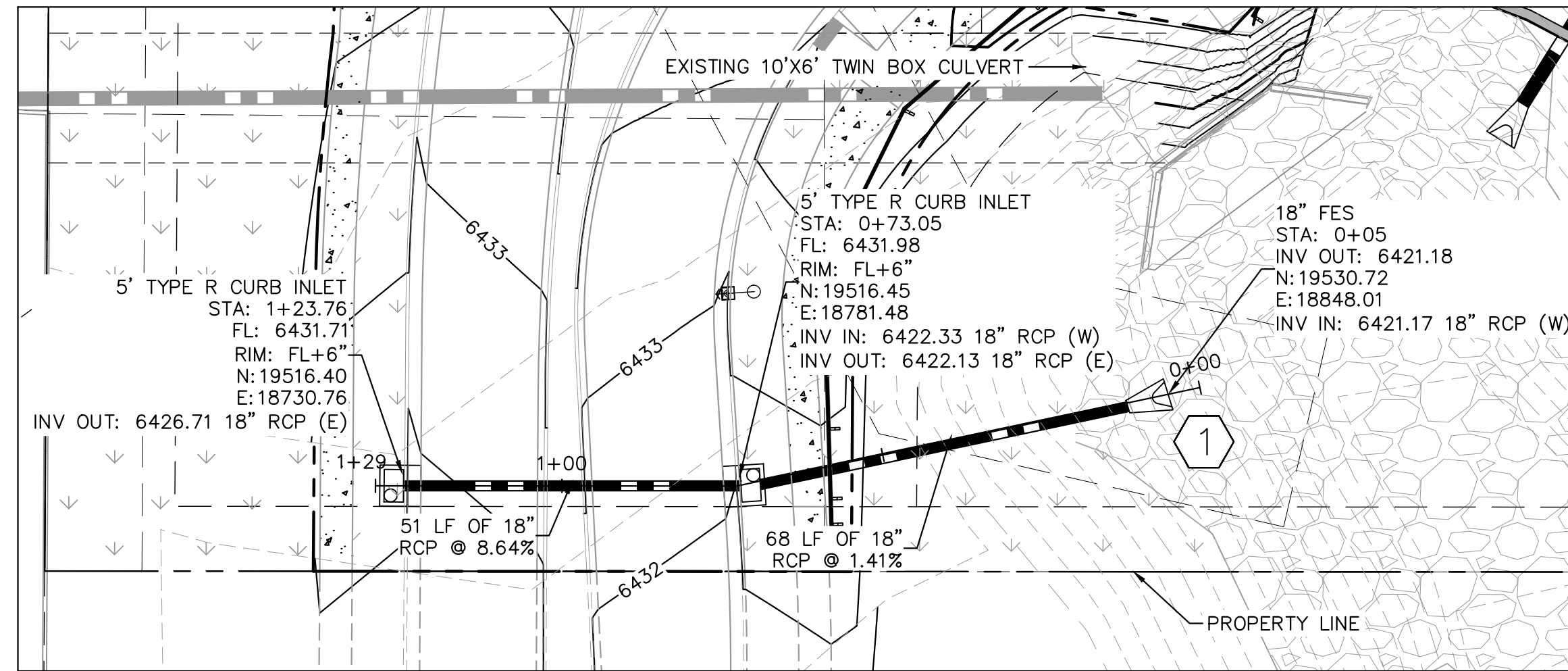
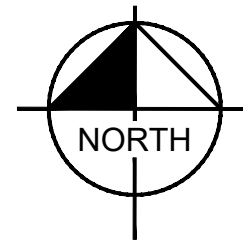


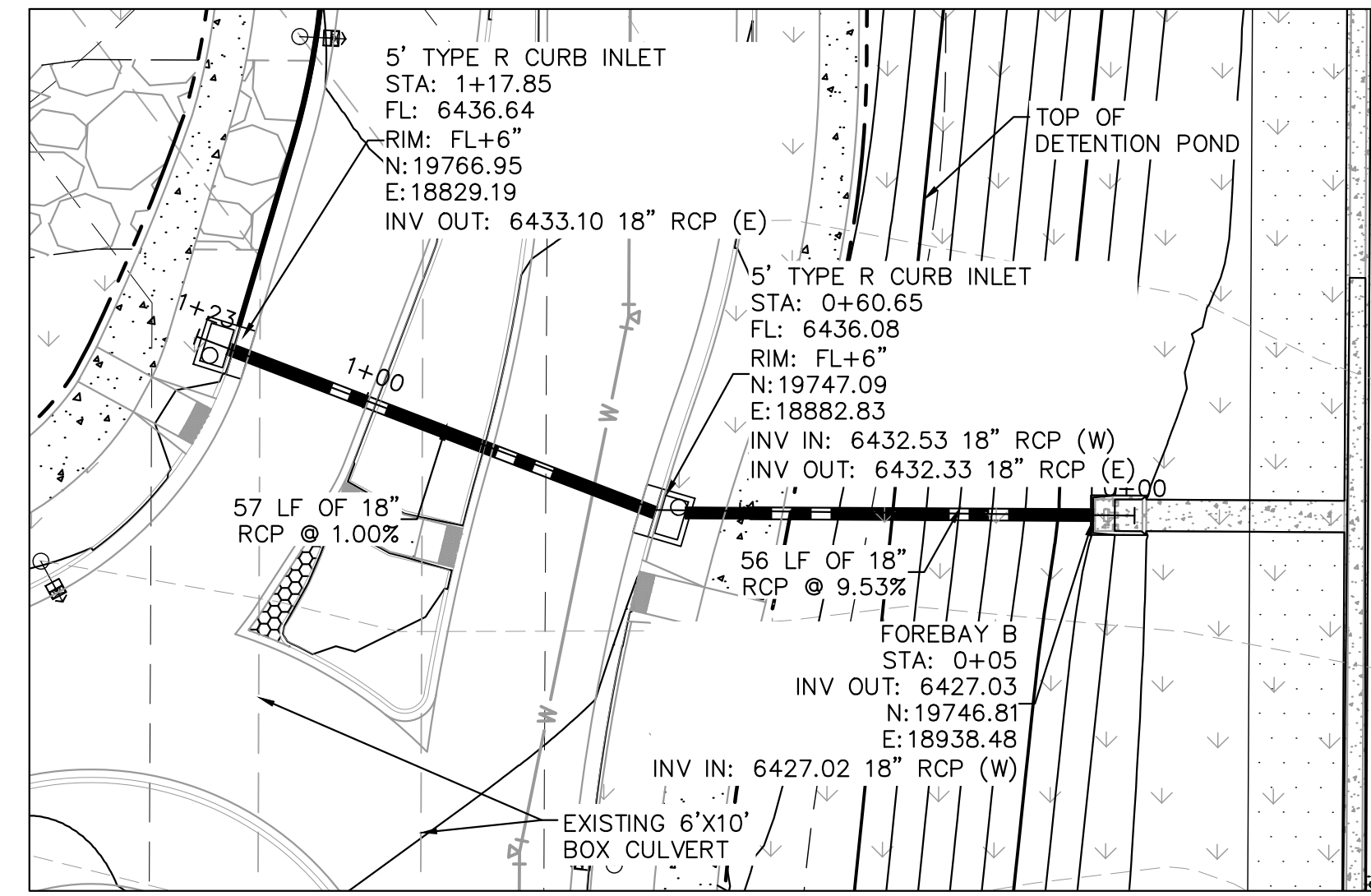
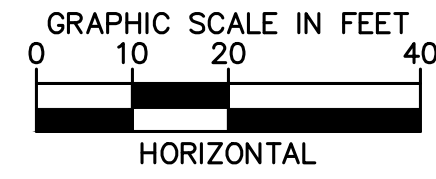
K:\DEN_Civil\096481004 - El Paso Constitution\CADD\PlanSheets\CD\096481004\UT_STPP.dwg Menke, Joseph 10/25/2022 1:32 PM



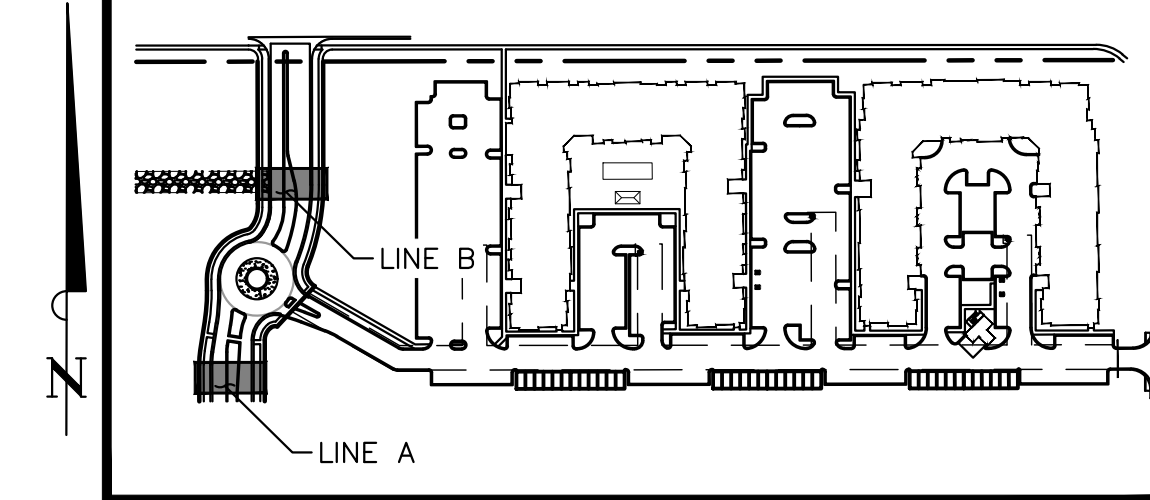
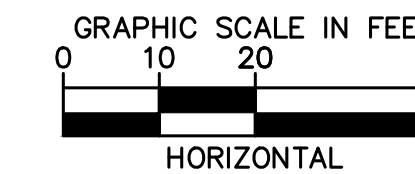
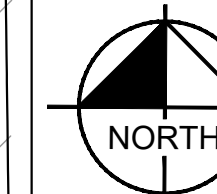
STORM SEWER LINE A - PLAN VIEW



1 CONTRACTOR TO REPAIR ANY DAMAGE DONE TO EXISTING GROUDED RIPRAP AND ENSURE ALL VEGETATION IS RETURNED TO PRE-DISTURBED CONDITION



STORM SEWER LINE B - PLAN VIEW

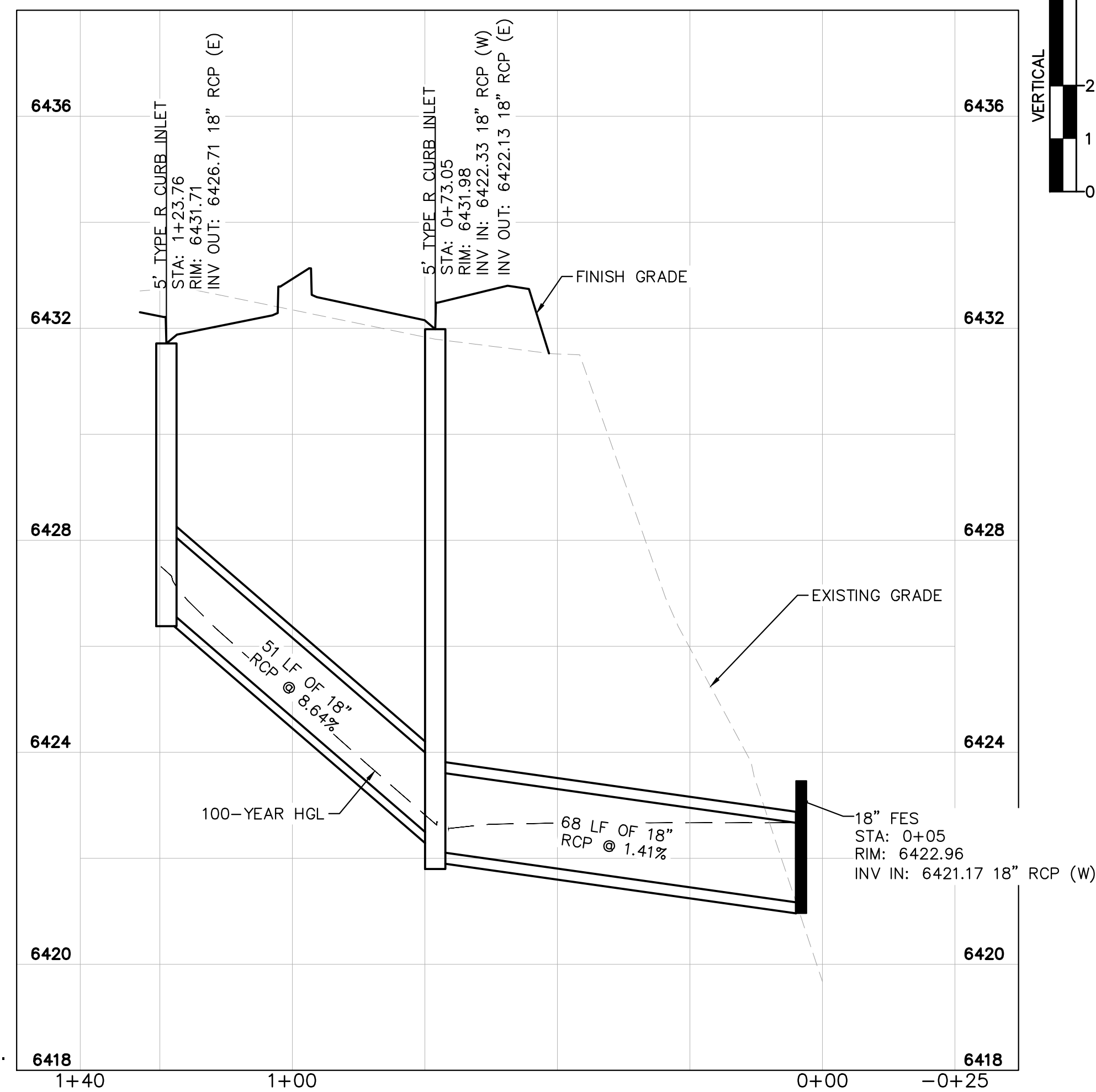


LEGEND:

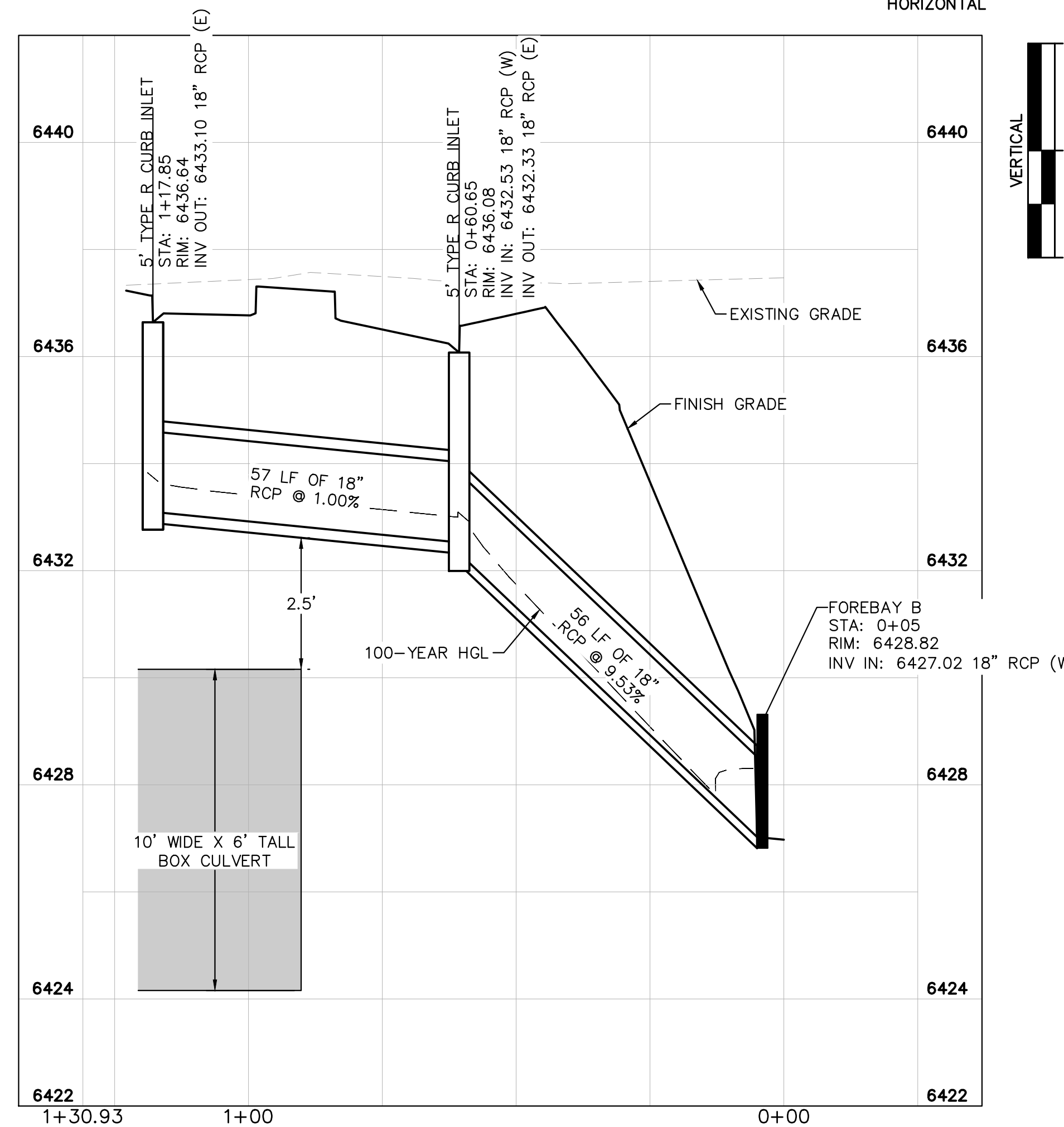
- PROPERTY LINE
- - - EXISTING EASEMENT LINE
- - - PROPOSED EASEMENT LINE
- EXISTING STORM SEWER
- PROPOSED STORM SEWER
- EXISTING WATER LINE
- PROPOSED WATER LINE
- ▲ EXISTING FIRE HYDRANT
- ▲ PROPOSED FIRE HYDRANT
- ▲ PROPOSED FIRE DEPARTMENT CONNECTION W/ APPROVED KNOX HARDWARE
- S --- EXISTING SANITARY SEWER
- S --- PROPOSED SANITARY SEWER
- ⊙ SANITARY SEWER MANHOLE
- ⊙ PROPOSED STORM MANHOLE
- ⊙ EXISTING STORM MANHOLE
- PROPOSED CURB INLET
- EXISTING CURB INLET
- PROPOSED GRATE INLET

STORM SEWER NOTES

1. MANHOLE RIM ELEVATIONS PROVIDED FOR REFERENCE ONLY. CONTRACTOR SHALL INSTALL MANHOLES IN ACCORDANCE WITH APPLICABLE DETAILS BASED UPON FINAL FINISH GRADING AT MANHOLE LOCATION. CONTRACTOR SHALL BE RESPONSIBLE FOR ADJUSTMENTS TO ACCOMMODATE DEVIATIONS IN SITE GRADING AT NO COST TO THE OWNER.
2. CONTRACTOR SHALL MODIFY STANDARD INLET STRUCTURE DIMENSIONS AND STRUCTURAL COMPONENTS TO ACCOMMODATE ASSOCIATED ENTRY AND OUTLET PIPES.
3. ALL STORM SEWER MAINS PIPE, INLETS AND MANHOLES ARE PRIVATELY OWNED AND MAINTAINED BY THE OWNER UP UNTIL THE PUBLIC CONNECTION POINT, UNLESS OTHERWISE NOTED ON THE PLANS.
4. ALL CURB INLET STATIONS ARE BASED ON THE MIDPOINT OF THE CURB INLET AT THE FLOWLINE.
5. ALL CURB INLET FL ELEVATIONS AND STATIONING ARE BASED ON THE MIDPOINT OF THE CURB INLET AT FLOWLINE.
6. ALL STORM SEWER PIPE 12" AND GREATER SHALL BE HDPE UNLESS OTHERWISE NOTED.
7. ALL PRIVATE LANDSCAPE DRAINS SHALL BE NYOPLAST TYPE OR APPROVED EQUIVALENT. RE: UTILITY DETAILS FOR NYLOPLAST DETAILED DRAWINGS.
8. CONTRACTOR SHALL VERIFY LOCATIONS AND ELEVATIONS OF EXISTING STORM SEWER AT ALL CONNECTION POINTS AND NOTIFY ENGINEER OF ANY DISCREPANCIES PRIOR TO CONSTRUCTION.
9. CONTRACTOR TO MODIFY EXISTING MANHOLE RIM ELEVATIONS TO MATCH PROPOSED FINISH GRADE AS NECESSARY.



STORM SEWER LINE A - PROFILE VIEW



STORM SEWER LINE B - PROFILE VIEW



Kimley»Horn

2022 KIMLEY-HORN AND ASSOCIATES, INC.
2 North Nevada Avenue, Suite 300
Colorado Springs, CO 80903 (303) 228-2300

DESIGNED BY: MOH
DRAWN BY: JWM
CHECKED BY: DLS
DATE: 10/26/2022

THE CITIZEN ON CONSTITUTION
EL PASO COUNTY, COLORADO
UTILITY AND WATER SERVICE PLANS
STORM PLAN AND PROFILE LINE A



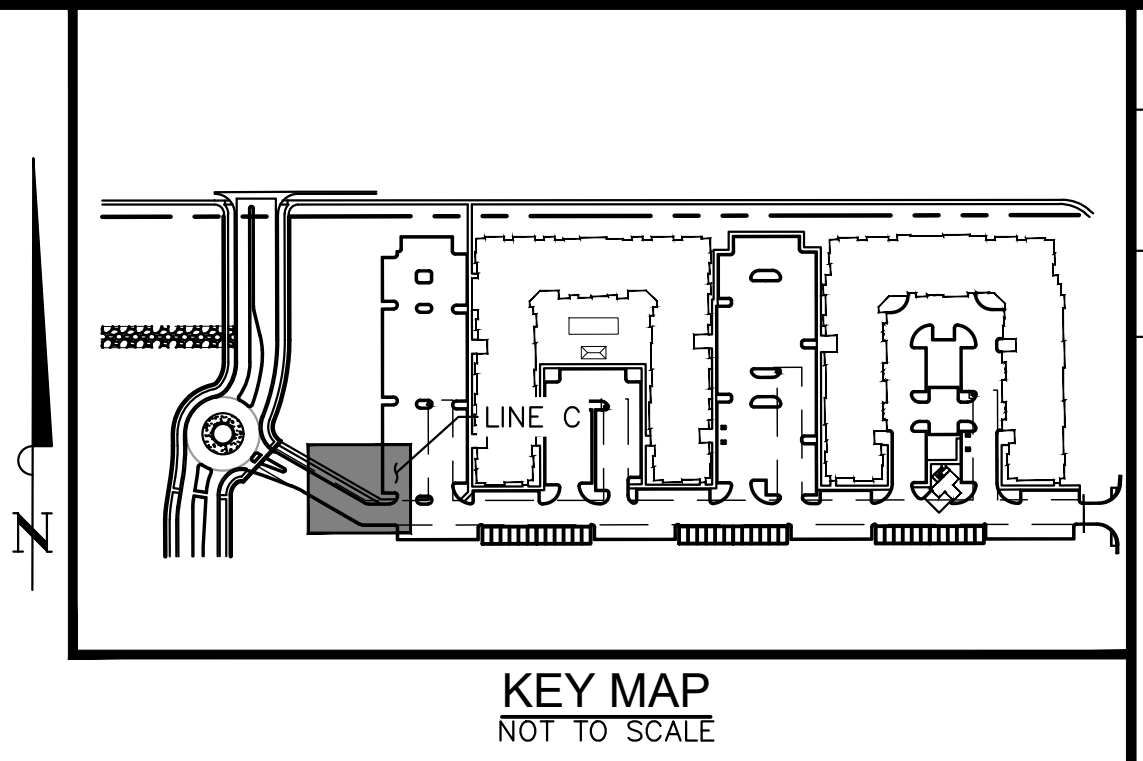
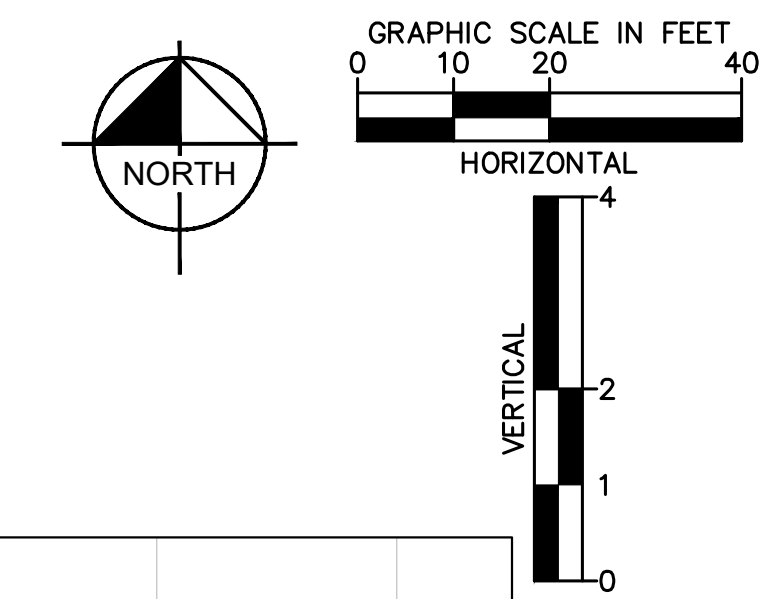
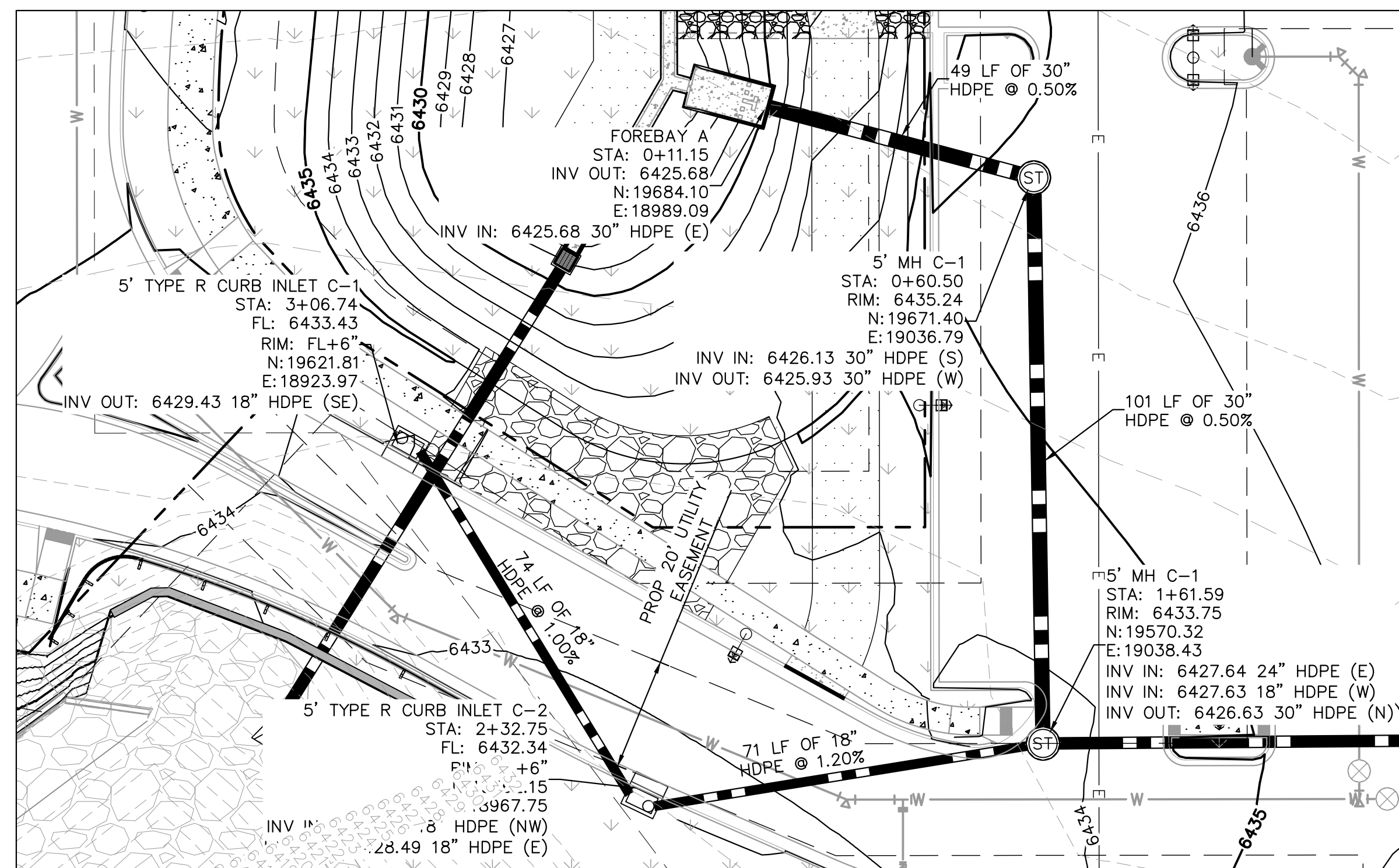
PROJECT NO.
096481004

SHEET

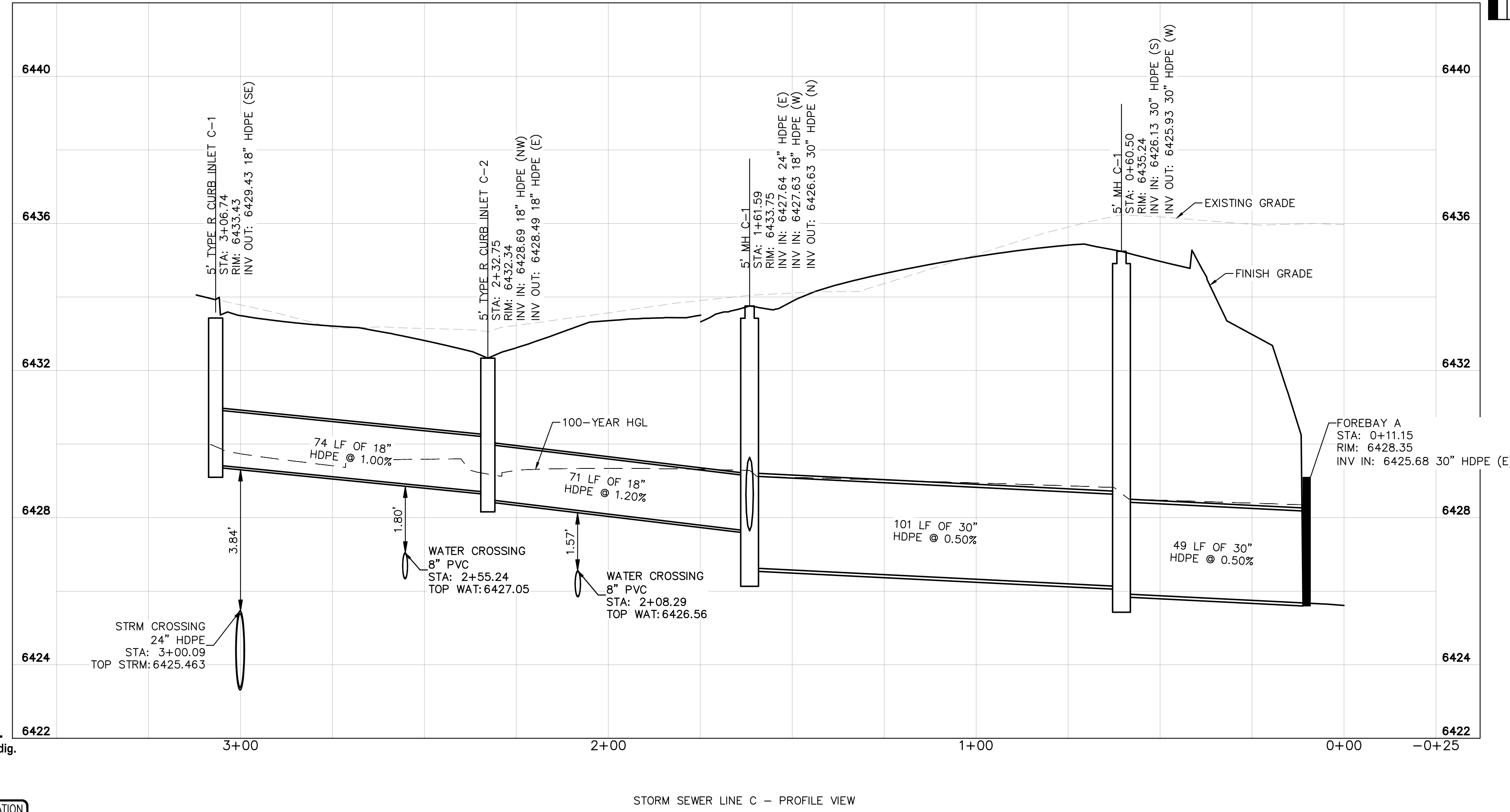
C4.1

| | | | | |
|-----|----------|----|------|-------|
| NO. | REVISION | BY | DATE | APPR. |
| | | | | |

K:\DEN_Civil\096481004 - El Paso Constitution\CADD\PlanSheets\CD\096481004\UT_STPP.dwg Menke, Joseph 10/25/2022 1:33 PM



- LEGEND:**
- PROPERTY LINE
 - - - EXISTING EASEMENT LINE
 - - - PROPOSED EASEMENT LINE
 - EXISTING STORM SEWER
 - PROPOSED STORM SEWER
 - EXISTING WATER LINE
 - PROPOSED WATER LINE
 - EXISTING FIRE HYDRANT
 - PROPOSED FIRE HYDRANT
 - PROPOSED FIRE DEPARTMENT CONNECTION W/ APPROVED KNOX HARDWARE
 - EXISTING SANITARY SEWER
 - PROPOSED SANITARY SEWER
 - ⊙ SANITARY SEWER MANHOLE
 - ⊙ PROPOSED STORM MANHOLE
 - ⊙ EXISTING STORM MANHOLE
 - PROPOSED CURB INLET
 - EXISTING CURB INLET
 - PROPOSED GRATE INLET



- STORM SEWER NOTES**
- MANHOLE RIM ELEVATIONS PROVIDED FOR REFERENCE ONLY. CONTRACTOR SHALL INSTALL MANHOLES IN ACCORDANCE WITH APPLICABLE DETAILS BASED UPON FINAL FINISH GRADING AT MANHOLE LOCATION. CONTRACTOR SHALL BE RESPONSIBLE FOR ADJUSTMENTS TO ACCOMMODATE DEVIATIONS IN SITE GRADING AT NO COST TO THE OWNER.
 - CONTRACTOR SHALL MODIFY STANDARD INLET STRUCTURE DIMENSIONS AND STRUCTURAL COMPONENTS TO ACCOMMODATE ASSOCIATED ENTRY AND OUTLET PIPES.
 - ALL STORM SEWER MAINS PIPE, INLETS AND MANHOLES ARE PRIVATELY OWNED AND MAINTAINED BY THE OWNER UP UNTIL THE PUBLIC CONNECTION POINT, UNLESS OTHERWISE NOTED ON THE PLANS.
 - ALL CURB INLET STATIONS ARE BASED ON THE MIDPOINT OF THE CURB INLET AT THE FLOWLINE.
 - ALL CURB INLET FL ELEVATIONS AND STATIONING ARE BASED ON THE MIDPOINT OF THE CURB INLET AT FLOWLINE.
 - ALL STORM SEWER PIPE 12" AND GREATER SHALL BE HDPE UNLESS OTHERWISE NOTED.
 - ALL PRIVATE LANDSCAPE DRAINS SHALL BE NYOPLAST TYPE OR APPROVED EQUIVALENT. RE: UTILITY DETAILS FOR NYOPLAST DETAILED DRAWINGS.
 - CONTRACTOR SHALL VERIFY LOCATIONS AND ELEVATIONS OF EXISTING STORM SEWER AT ALL CONNECTION POINTS AND NOTIFY ENGINEER OF ANY DISCREPANCIES PRIOR TO CONSTRUCTION.
 - CONTRACTOR TO MODIFY EXISTING MANHOLE RIM ELEVATIONS TO MATCH PROPOSED FINISH GRADE AS NECESSARY.



CALL UTILITY NOTIFICATION CENTER OF COLORADO
 1-800-922-1987
 CALL 2-BUSINESS DAYS IN ADVANCE BEFORE YOU DIG, GRADE, OR EXCAVATE FOR THE MARKING OF UNDERGROUND MEMBER UTILITIES

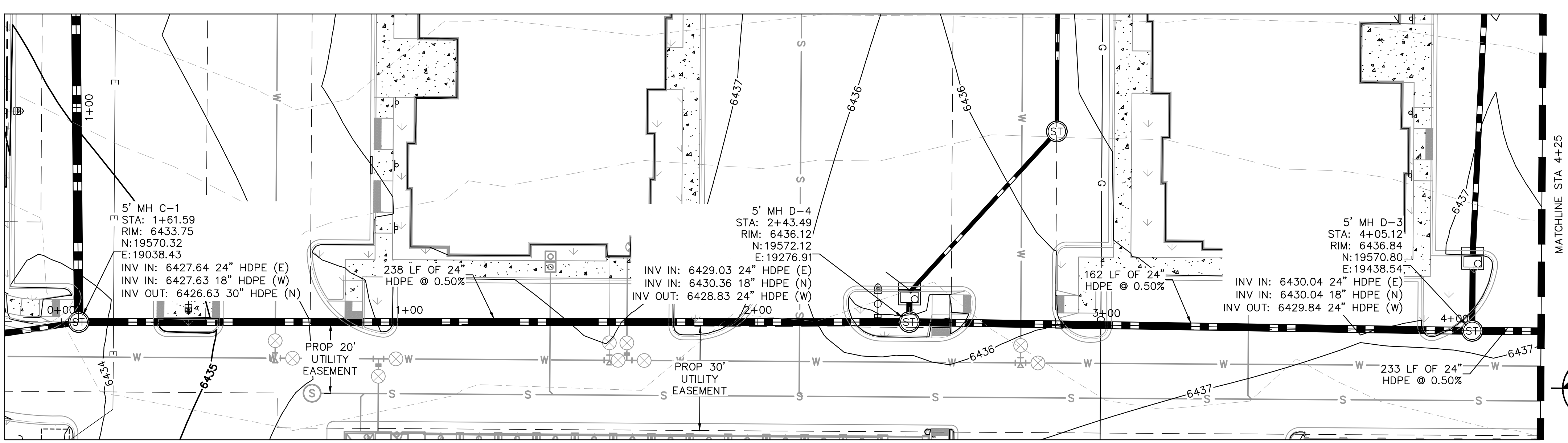
Kimley»Horn
 2022 KIMLEY-HORN AND ASSOCIATES, INC.
 2 North Nevada Avenue, Suite 300
 Colorado Springs, CO 80903 (303) 228-2300

DESIGNED BY: MOH
 DRAWN BY: JWM
 CHECKED BY: DLS
 DATE: 10/26/2022

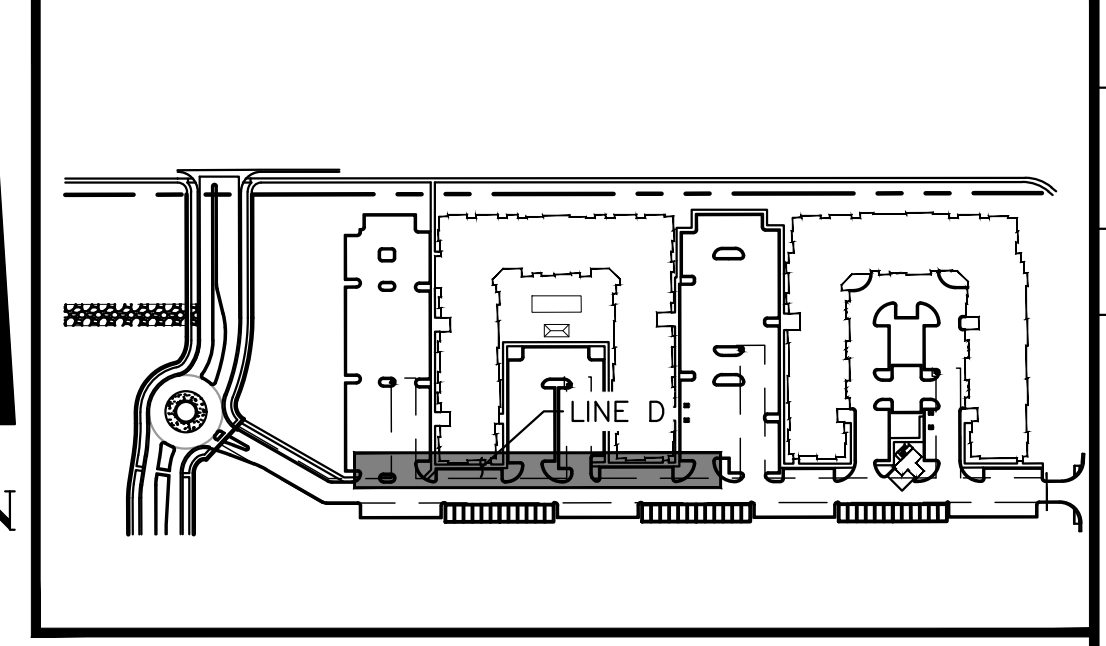
THE CITIZEN ON CONSTITUTION
 EL PASO COUNTY, COLORADO
 UTILITY AND WATER SERVICE PLANS
STORM PLAN AND PROFILE LINE B & C

PROJECT NO. 096481004
 SHEET C4.2

NO. _____ BY _____ DATE _____
 REVISION _____

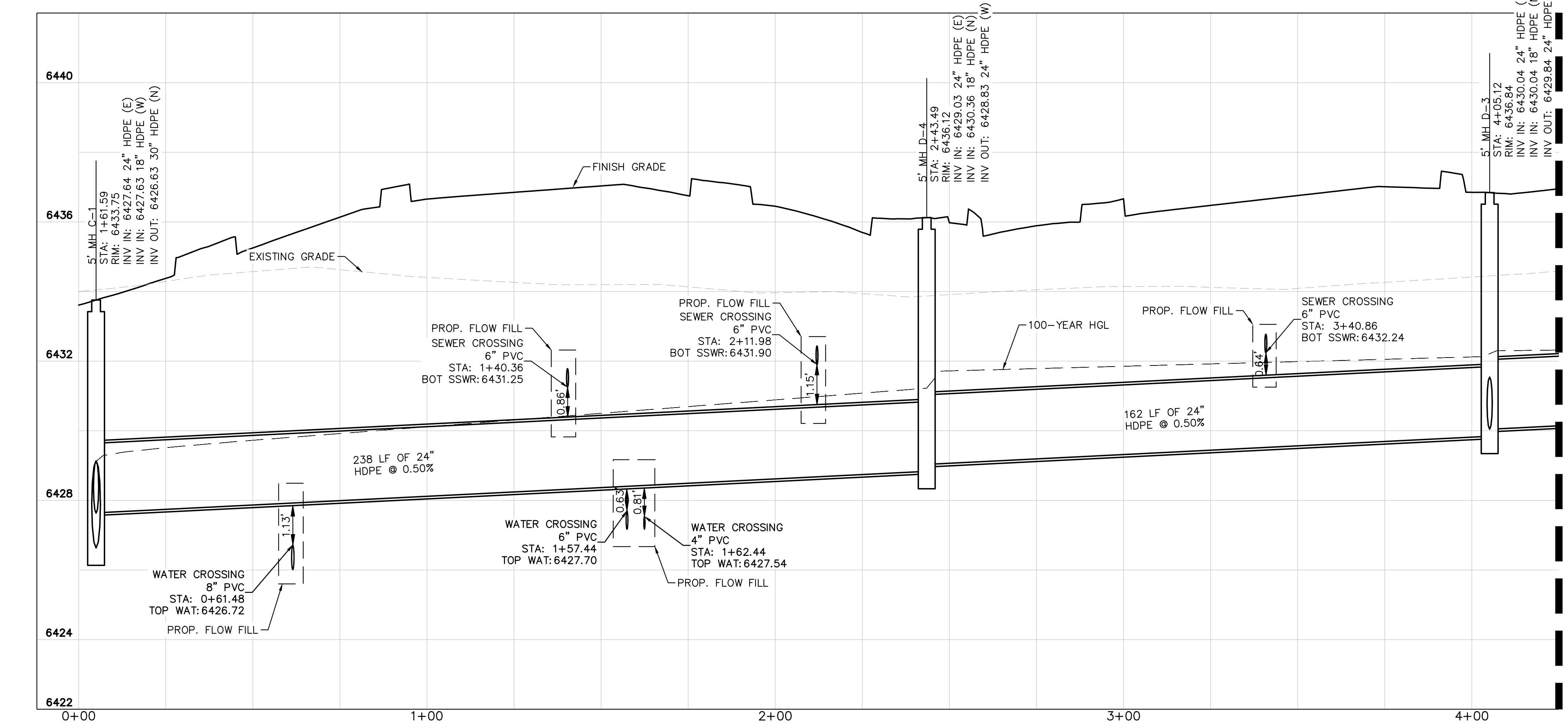
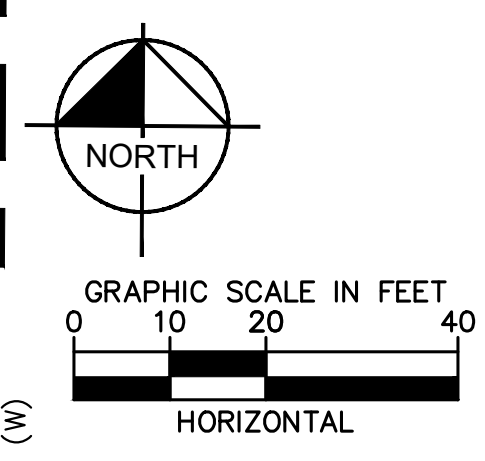


STORM SEWER LINE D STA 0+00-4+25 PLAN VIEW



KEY MAP NOT TO SCALE

- LEGEND:**
- PROPERTY LINE
 - - - EXISTING EASEMENT LINE
 - - - PROPOSED EASEMENT LINE
 - EXISTING STORM SEWER
 - PROPOSED STORM SEWER
 - EXISTING WATER LINE
 - PROPOSED WATER LINE
 - EXISTING FIRE HYDRANT
 - PROPOSED FIRE HYDRANT
 - PROPOSED FIRE DEPARTMENT CONNECTION W/ APPROVED KNOX HARDWARE
 - EXISTING SANITARY SEWER
 - PROPOSED SANITARY SEWER
 - SANITARY SEWER MANHOLE
 - PROPOSED STORM MANHOLE
 - EXISTING STORM MANHOLE
 - PROPOSED CURB INLET
 - EXISTING CURB INLET
 - PROPOSED GRATE INLET



STORM SEWER LINE D STA 0+00-4+25 - PROFILE VIEW

- STORM SEWER NOTES**
1. MANHOLE RIM ELEVATIONS PROVIDED FOR REFERENCE ONLY. CONTRACTOR SHALL INSTALL MANHOLES IN ACCORDANCE WITH APPLICABLE DETAILS BASED UPON FINAL FINISH GRADING AT MANHOLE LOCATION. CONTRACTOR SHALL BE RESPONSIBLE FOR ADJUSTMENTS TO ACCOMMODATE DEVIATIONS IN SITE GRADING AT NO COST TO THE OWNER.
 2. CONTRACTOR SHALL MODIFY STANDARD INLET STRUCTURE DIMENSIONS AND STRUCTURAL COMPONENTS TO ACCOMMODATE ASSOCIATED ENTRY AND OUTLET PIPES.
 3. ALL STORM SEWER MAINS PIPE, INLETS AND MANHOLES ARE PRIVATELY OWNED AND MAINTAINED BY THE OWNER UP UNTIL THE PUBLIC CONNECTION POINT, UNLESS OTHERWISE NOTED ON THE PLANS.
 4. ALL CURB INLET STATIONS ARE BASED ON THE MIDPOINT OF THE CURB INLET AT THE FLOWLINE.
 5. ALL CURB INLET FL ELEVATIONS AND STATIONING ARE BASED ON THE MIDPOINT OF THE CURB INLET AT FLOWLINE.
 6. ALL STORM SEWER PIPE 12" AND GREATER SHALL BE HDPE UNLESS OTHERWISE NOTED.
 7. ALL PRIVATE LANDSCAPE DRAINS SHALL BE NYOPLAST TYPE OR APPROVED EQUIVALENT. RE: UTILITY DETAILS FOR NYOPLAST DETAILED DRAWINGS.
 8. CONTRACTOR SHALL VERIFY LOCATIONS AND ELEVATIONS OF EXISTING STORM SEWER AT ALL CONNECTION POINTS AND NOTIFY ENGINEER OF ANY DISCREPANCIES PRIOR TO CONSTRUCTION.
 9. CONTRACTOR TO MODIFY EXISTING MANHOLE RIM ELEVATIONS TO MATCH PROPOSED FINISH GRADE AS NECESSARY.



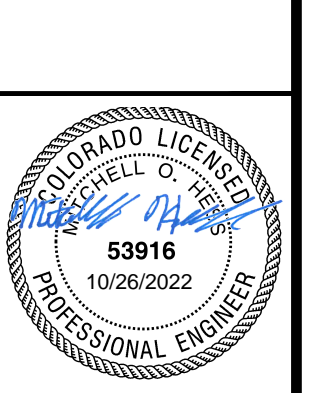
CALL UTILITY NOTIFICATION CENTER OF COLORADO
 1-800-922-1987
 CALL 2-BUSINESS DAYS IN ADVANCE BEFORE YOU DIG, GRADE, OR EXCAVATE FOR THE MARKING OF UNDERGROUND MEMBER UTILITIES

| | | | | |
|-----|----------|----|------|-------|
| NO. | REVISION | BY | DATE | APPR. |
| | | | | |

Kimley»Horn
 2022 KIMLEY-HORN AND ASSOCIATES, INC.
 2 North Nevada Avenue, Suite 300
 Colorado Springs, CO 80903 (303) 228-2300

DESIGNED BY: MOH
 DRAWN BY: JWM
 CHECKED BY: DLS
 DATE: 10/26/2022

THE CITIZEN ON CONSTITUTION
 EL PASO COUNTY, COLORADO
 UTILITY AND WATER SERVICE PLANS
STORM PLAN AND PROFILE LINE D



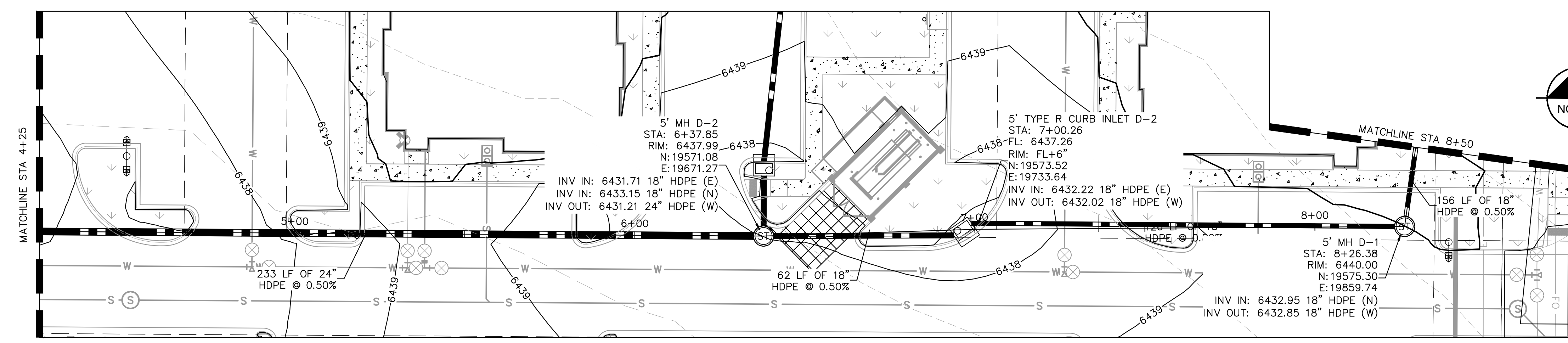
PROJECT NO.
096481004

SHEET

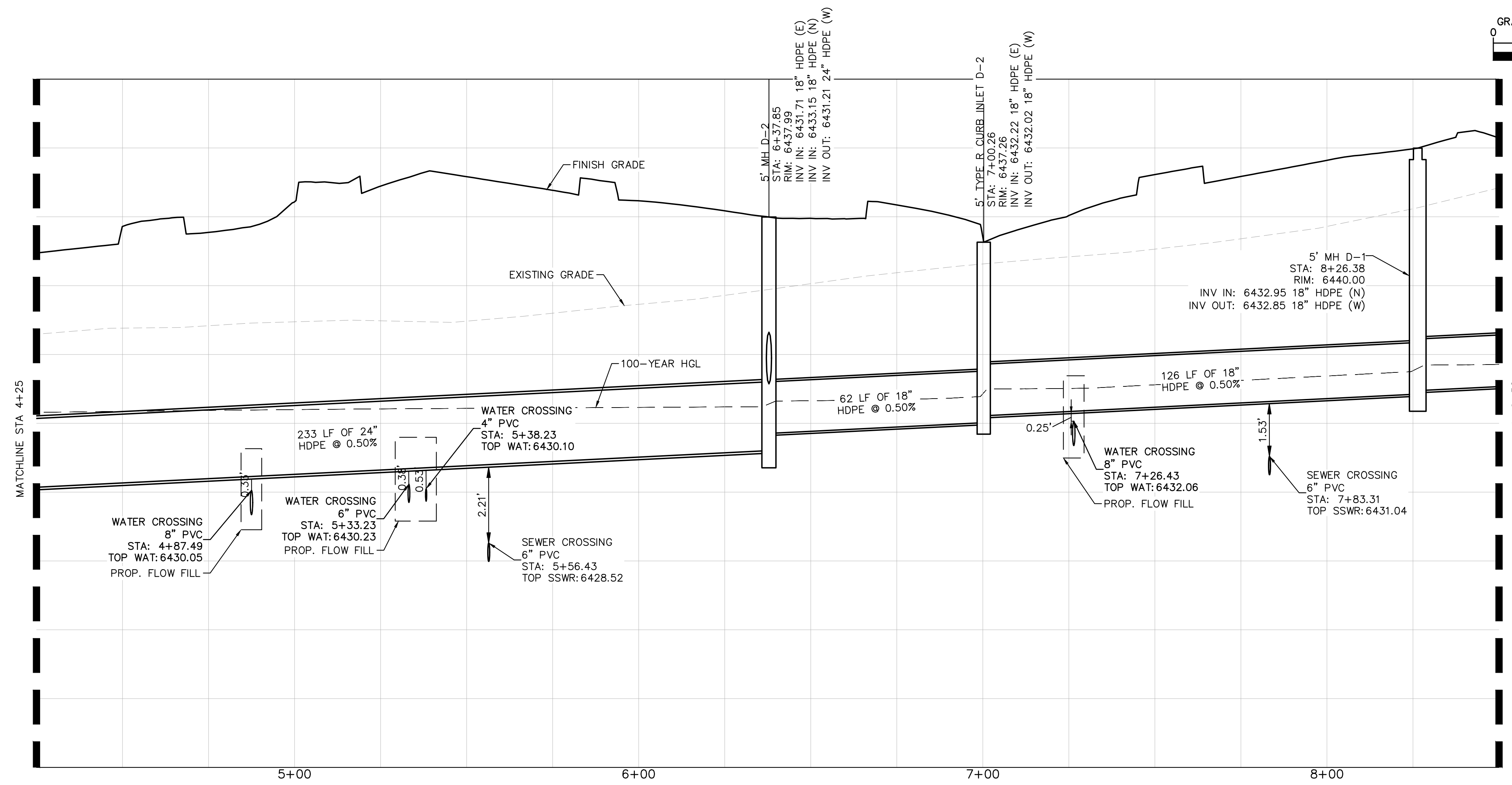
C4.3

K:\DEN_Civil\096481004 - El Paso Constitution\CADD\PlanSheets\CD\096481004\UT_STPP.dwg Memke, Joseph 10/25/2022 1:33 PM

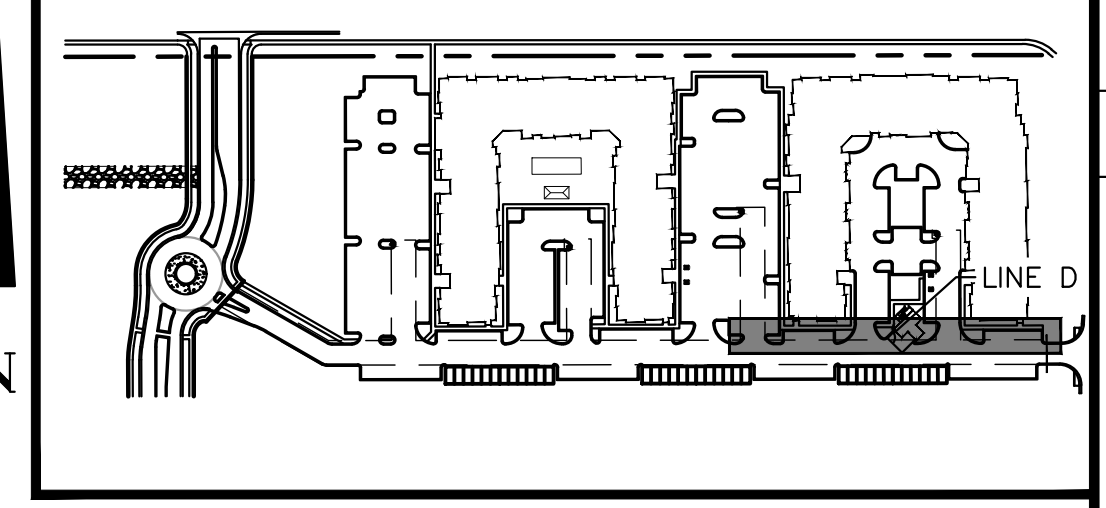
K:\DEN_Civil\096481004 - El Paso Constitution\CADD\PlanSheets\CD\096481004\UT_STPP.dwg Menke, Joseph 10/25/2022 1:33 PM



STORM SEWER LINE D STA 4+25-8+50 - PLAN VIEW

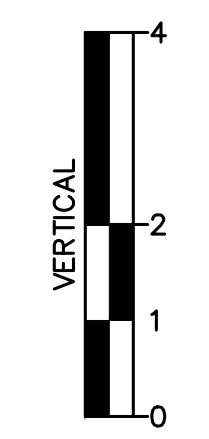
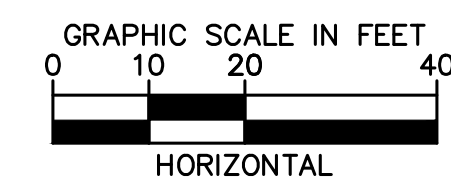


STORM SEWER LINE D STA 4+25-8+50 - PROFILE VIEW



KEY MAP
NOT TO SCALE

- LEGEND:**
- PROPERTY LINE
 - - - EXISTING EASEMENT LINE
 - - - PROPOSED EASEMENT LINE
 - EXISTING STORM SEWER
 - PROPOSED STORM SEWER
 - EXISTING WATER LINE
 - PROPOSED WATER LINE
 - ▲ EXISTING FIRE HYDRANT
 - ▲ PROPOSED FIRE HYDRANT
 - ▲ PROPOSED FIRE DEPARTMENT CONNECTION W/ APPROVED KNOX HARDWARE
 - EXISTING SANITARY SEWER
 - PROPOSED SANITARY SEWER
 - ⊙ SANITARY SEWER MANHOLE
 - ⊙ PROPOSED STORM MANHOLE
 - ⊙ EXISTING STORM MANHOLE
 - PROPOSED CURB INLET
 - EXISTING CURB INLET
 - PROPOSED GRATE INLET



STORM SEWER NOTES

1. MANHOLE RIM ELEVATIONS PROVIDED FOR REFERENCE ONLY. CONTRACTOR SHALL INSTALL MANHOLES IN ACCORDANCE WITH APPLICABLE DETAILS BASED UPON FINAL FINISH GRADING AT MANHOLE LOCATION. CONTRACTOR SHALL BE RESPONSIBLE FOR ADJUSTMENTS TO ACCOMMODATE DEVIATIONS IN SITE GRADING AT NO COST TO THE OWNER.
2. CONTRACTOR SHALL MODIFY STANDARD INLET STRUCTURE DIMENSIONS AND STRUCTURAL COMPONENTS TO ACCOMMODATE ASSOCIATED ENTRY AND OUTLET PIPES.
3. ALL STORM SEWER MAINS PIPE, INLETS AND MANHOLES ARE PRIVATELY OWNED AND MAINTAINED BY THE OWNER UP UNTIL THE PUBLIC CONNECTION POINT, UNLESS OTHERWISE NOTED ON THE PLANS.
4. ALL CURB INLET STATIONS ARE BASED ON THE MIDPOINT OF THE CURB INLET AT THE FLOWLINE.
5. ALL CURB INLET FL ELEVATIONS AND STATIONING ARE BASED ON THE MIDPOINT OF THE CURB INLET AT FLOWLINE.
6. ALL STORM SEWER PIPE 12" AND GREATER SHALL BE HDPE UNLESS OTHERWISE NOTED.
7. ALL PRIVATE LANDSCAPE DRAINS SHALL BE NYOPLAST TYPE OR APPROVED EQUIVALENT. RE: UTILITY DETAILS FOR NYOPLAST DETAILED DRAWINGS.
8. CONTRACTOR SHALL VERIFY LOCATIONS AND ELEVATIONS OF EXISTING STORM SEWER AT ALL CONNECTION POINTS AND NOTIFY ENGINEER OF ANY DISCREPANCIES PRIOR TO CONSTRUCTION.
9. CONTRACTOR TO MODIFY EXISTING MANHOLE RIM ELEVATIONS TO MATCH PROPOSED FINISH GRADE AS NECESSARY.



CALL UTILITY NOTIFICATION CENTER OF COLORADO
1-800-922-1987
CALL 2-BUSINESS DAYS IN ADVANCE BEFORE YOU DIG, GRADE, OR EXCAVATE FOR THE MARKING OF UNDERGROUND MEMBER UTILITIES

| NO. | REVISION | BY | DATE | APPR. |
|-----|----------|----|------|-------|
| | | | | |

Kimley»Horn
2022 KIMLEY-HORN AND ASSOCIATES, INC.
2 North Nevada Avenue, Suite 300
Colorado Springs, CO 80903 (303) 228-2300

DESIGNED BY: MOH
DRAWN BY: JWM
CHECKED BY: DLS
DATE: 10/26/2022

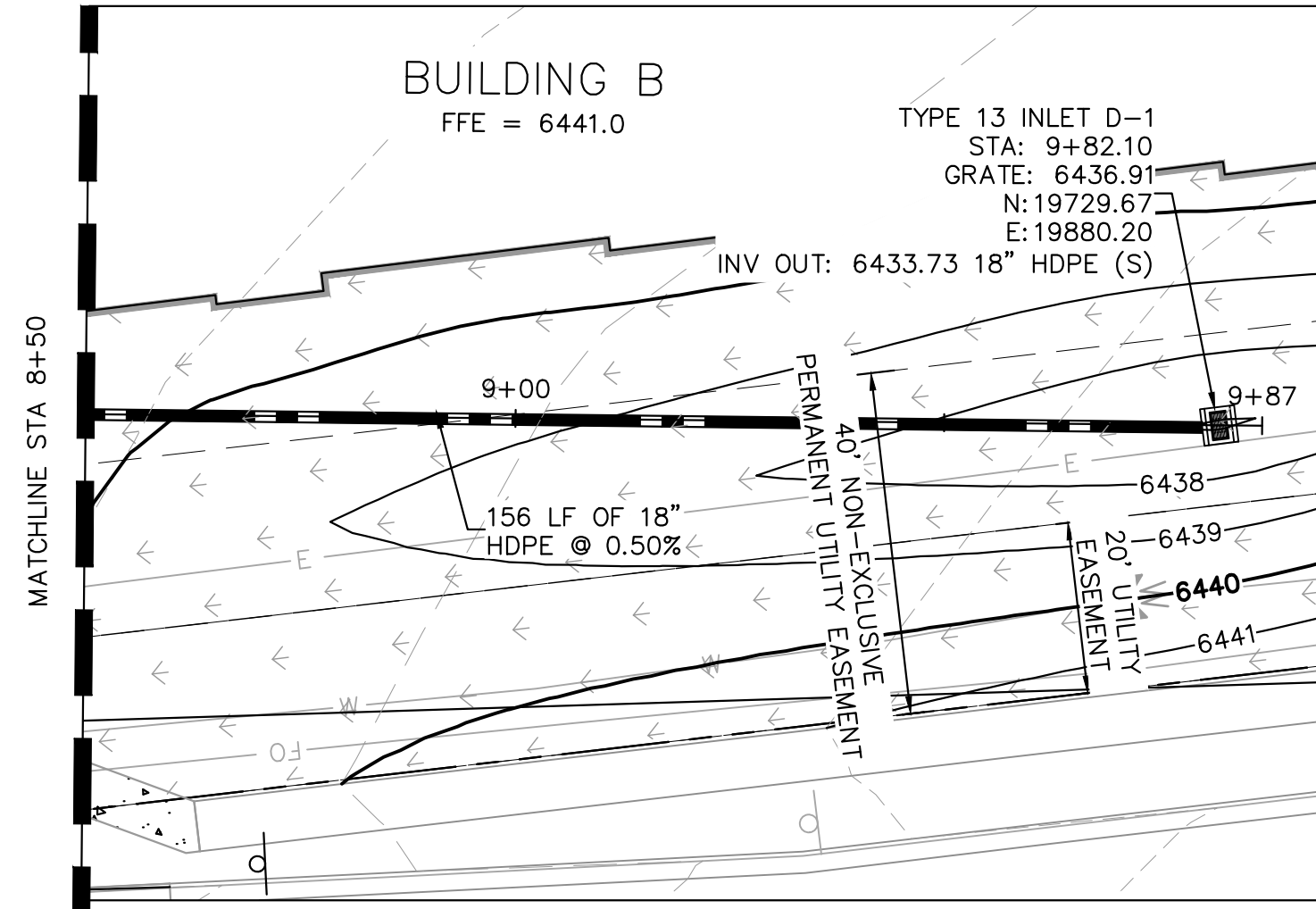
THE CITIZEN ON CONSTITUTION
EL PASO COUNTY, COLORADO
UTILITY AND WATER SERVICE PLANS
STORM PLAN AND PROFILE LINE D



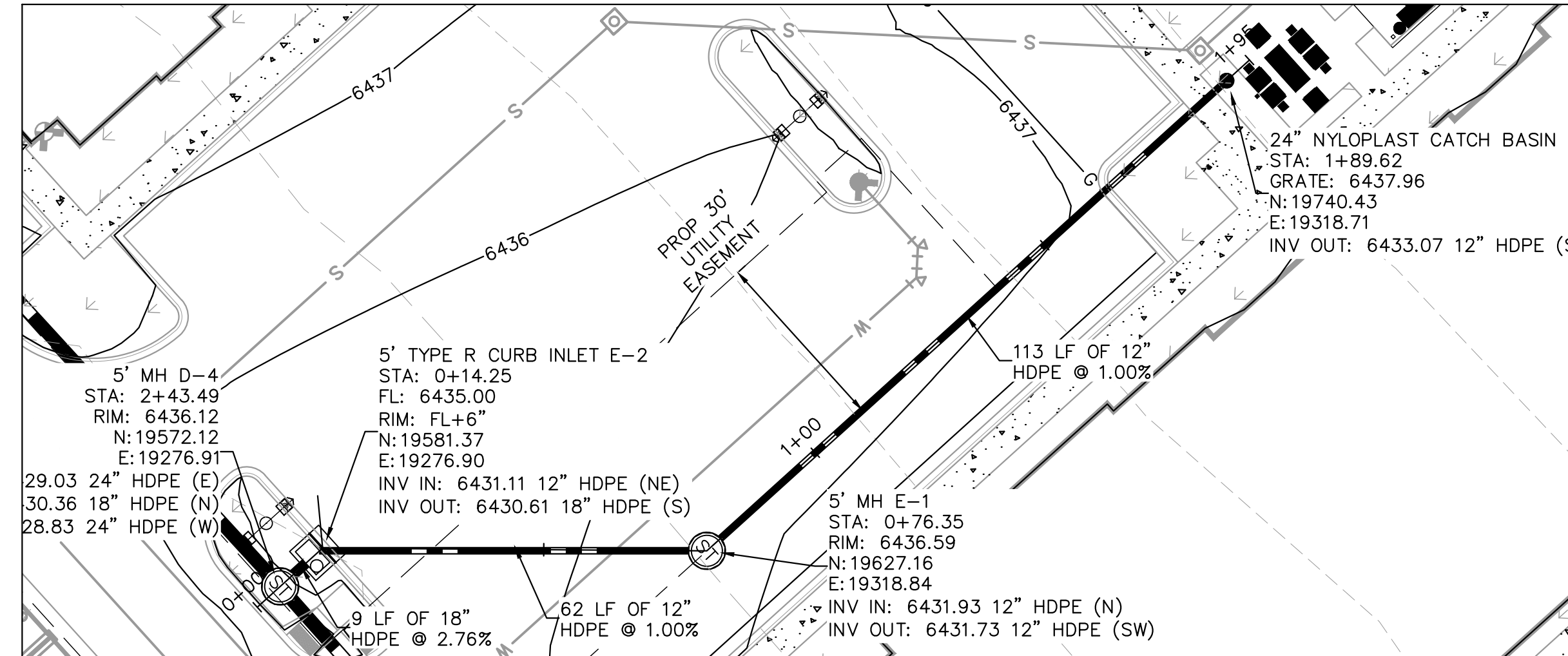
PROJECT NO.
096481004
SHEET

C4.4

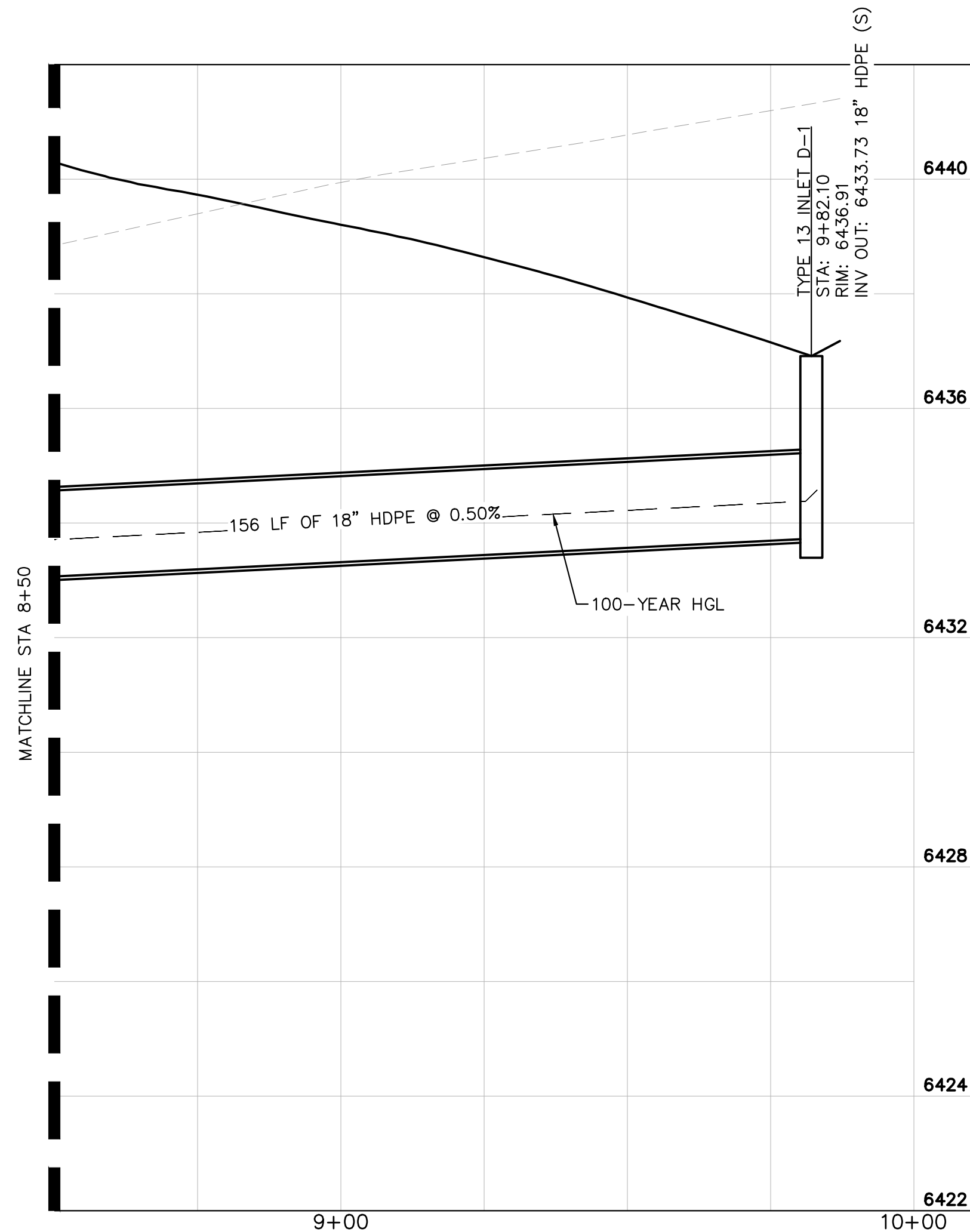
K:\DEN_Civil\096481004 - El Paso Constitution\CADD\PlanSheets\CD\096481004\UT_STPP.dwg Menke, Joseph 10/25/2022 1:33 PM



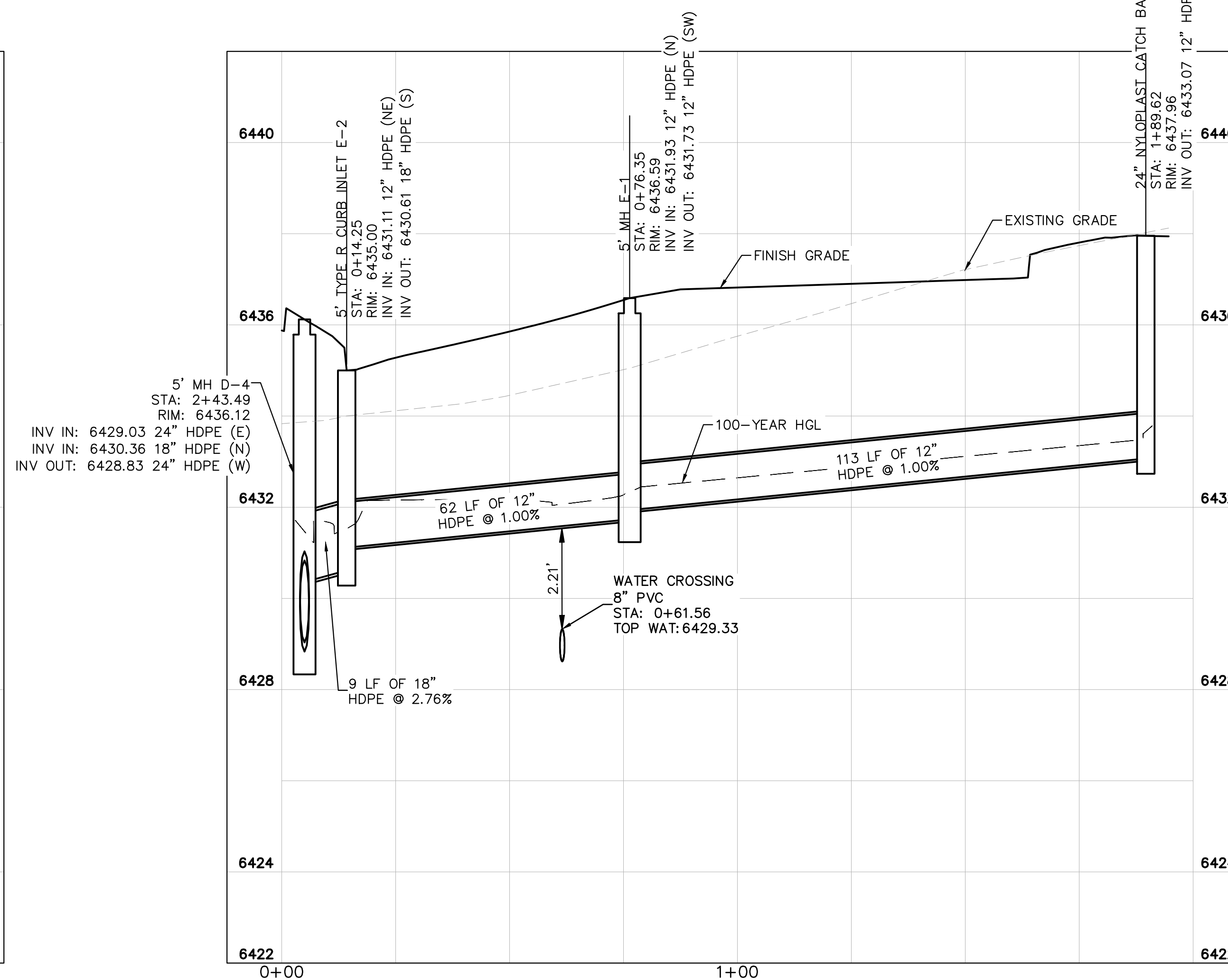
STORM SEWER LINE D STA 8+50-END - PLAN VIEW



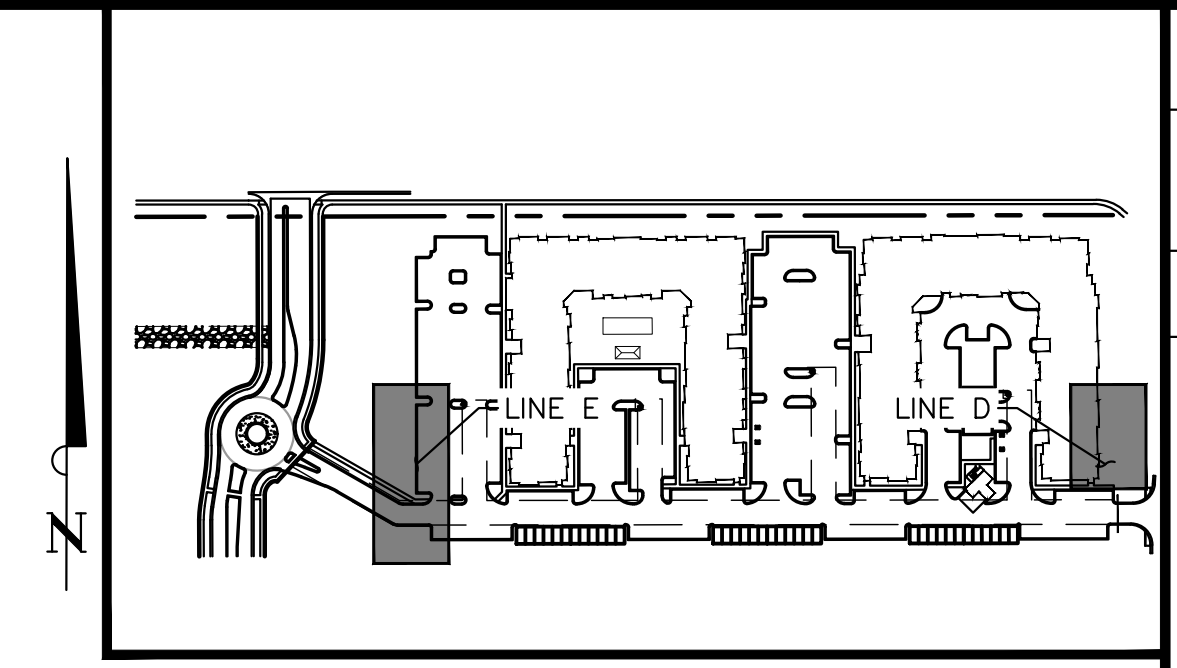
STORM SEWER LINE E - PLAN VIEW



STORM SEWER LINE D STA 8+50-END - PROFILE VIEW



STORM SEWER LINE E - PROFILE VIEW



KEY MAP
NOT TO SCALE

- LEGEND:**
- PROPERTY LINE
 - - - - - EXISTING EASEMENT LINE
 - - - - - PROPOSED EASEMENT LINE
 - EXISTING STORM SEWER
 - PROPOSED STORM SEWER
 - EXISTING WATER LINE
 - PROPOSED WATER LINE
 - EXISTING FIRE HYDRANT
 - PROPOSED FIRE HYDRANT
 - PROPOSED FIRE DEPARTMENT CONNECTION W/ APPROVED KNOX HARDWARE
 - EXISTING SANITARY SEWER
 - PROPOSED SANITARY SEWER
 - ⊙ SANITARY SEWER MANHOLE
 - ⊙ PROPOSED STORM MANHOLE
 - ⊙ EXISTING STORM MANHOLE
 - PROPOSED CURB INLET
 - EXISTING CURB INLET
 - PROPOSED GRATE INLET

STORM SEWER NOTES

1. MANHOLE RIM ELEVATIONS PROVIDED FOR REFERENCE ONLY. CONTRACTOR SHALL INSTALL MANHOLES IN ACCORDANCE WITH APPLICABLE DETAILS BASED UPON FINAL FINISH GRADING AT MANHOLE LOCATION. CONTRACTOR SHALL BE RESPONSIBLE FOR ADJUSTMENTS TO ACCOMMODATE DEVIATIONS IN SITE GRADING AT NO COST TO THE OWNER.
2. CONTRACTOR SHALL MODIFY STANDARD INLET STRUCTURE DIMENSIONS AND STRUCTURAL COMPONENTS TO ACCOMMODATE ASSOCIATED ENTRY AND OUTLET PIPES.
3. ALL STORM SEWER MAINS PIPE, INLETS AND MANHOLES ARE PRIVATELY OWNED AND MAINTAINED BY THE OWNER UP UNTIL THE PUBLIC CONNECTION POINT, UNLESS OTHERWISE NOTED ON THE PLANS.
4. ALL CURB INLET STATIONS ARE BASED ON THE MIDPOINT OF THE CURB INLET AT THE FLOWLINE.
5. ALL CURB INLET FL ELEVATIONS AND STATIONING ARE BASED ON THE MIDPOINT OF THE CURB INLET AT FLOWLINE.
6. ALL STORM SEWER PIPE 12" AND GREATER SHALL BE HDPE UNLESS OTHERWISE NOTED.
7. ALL PRIVATE LANDSCAPE DRAINS SHALL BE NYLOPLAST TYPE OR APPROVED EQUIVALENT. RE: UTILITY DETAILS FOR NYLOPLAST DETAILED DRAWINGS.
8. CONTRACTOR SHALL VERIFY LOCATIONS AND ELEVATIONS OF EXISTING STORM SEWER AT ALL CONNECTION POINTS AND NOTIFY ENGINEER OF ANY DISCREPANCIES PRIOR TO CONSTRUCTION.
9. CONTRACTOR TO MODIFY EXISTING MANHOLE RIM ELEVATIONS TO MATCH PROPOSED FINISH GRADE AS NECESSARY.



| NO. | REVISION | BY | DATE | APPR. |
|-----|----------|----|------|-------|
| | | | | |

Kimley»Horn
 2022 KIMLEY-HORN AND ASSOCIATES, INC.
 2 North Nevada Avenue, Suite 300
 Colorado Springs, CO 80903 (303) 228-2300

DESIGNED BY: MOH
 DRAWN BY: JWM
 CHECKED BY: DLS
 DATE: 10/26/2022

THE CITIZEN ON CONSTITUTION
 EL PASO COUNTY, COLORADO
 UTILITY AND WATER SERVICE PLANS
STORM PLAN AND PROFILE LINE

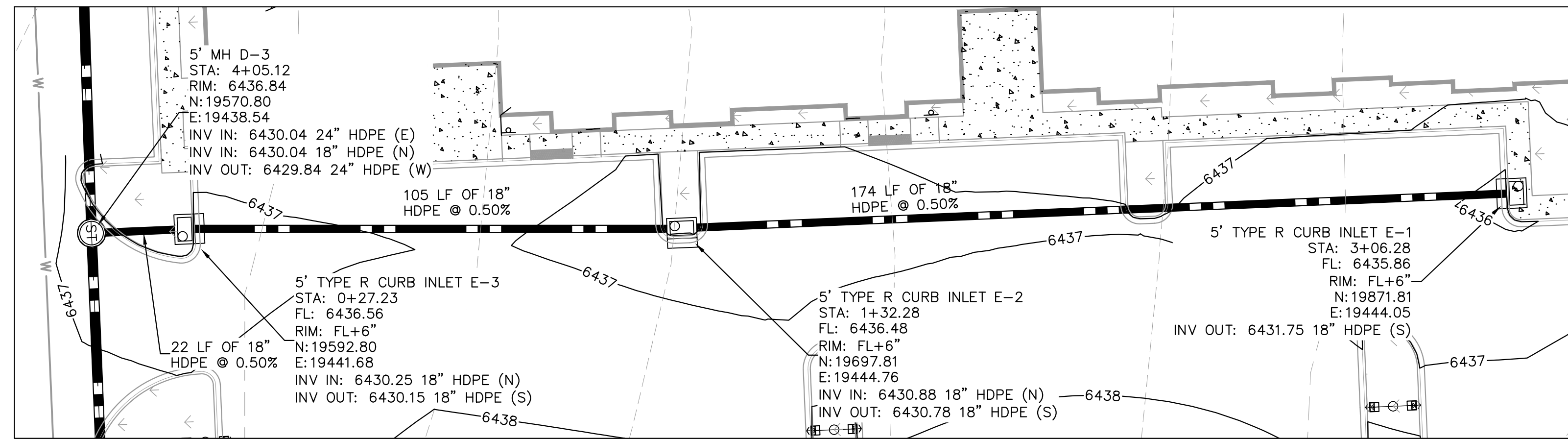


PROJECT NO.
096481004

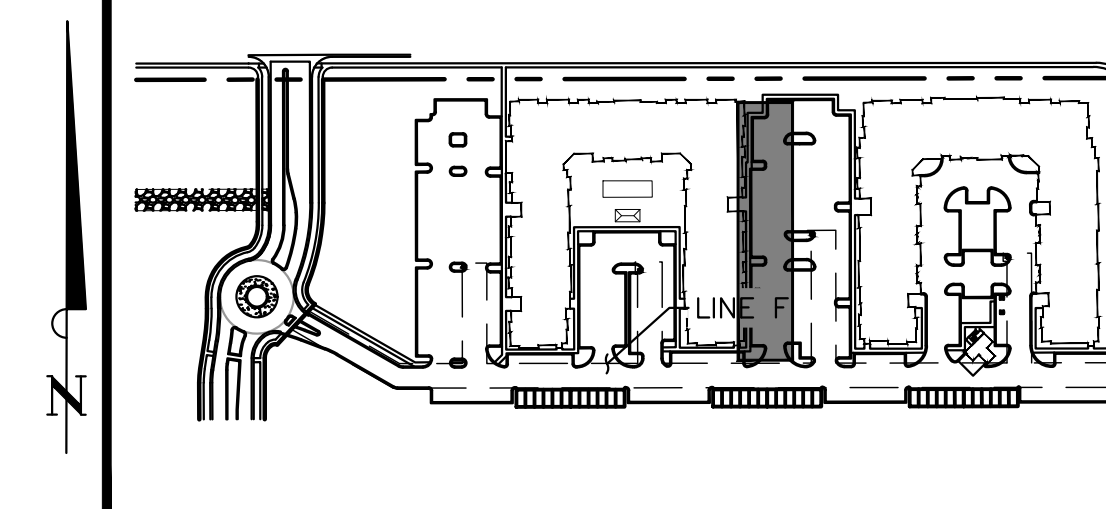
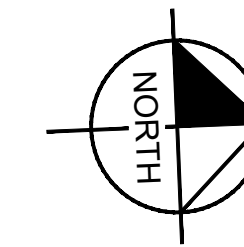
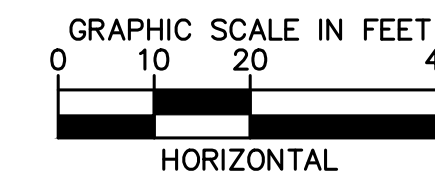
SHEET

C4.5

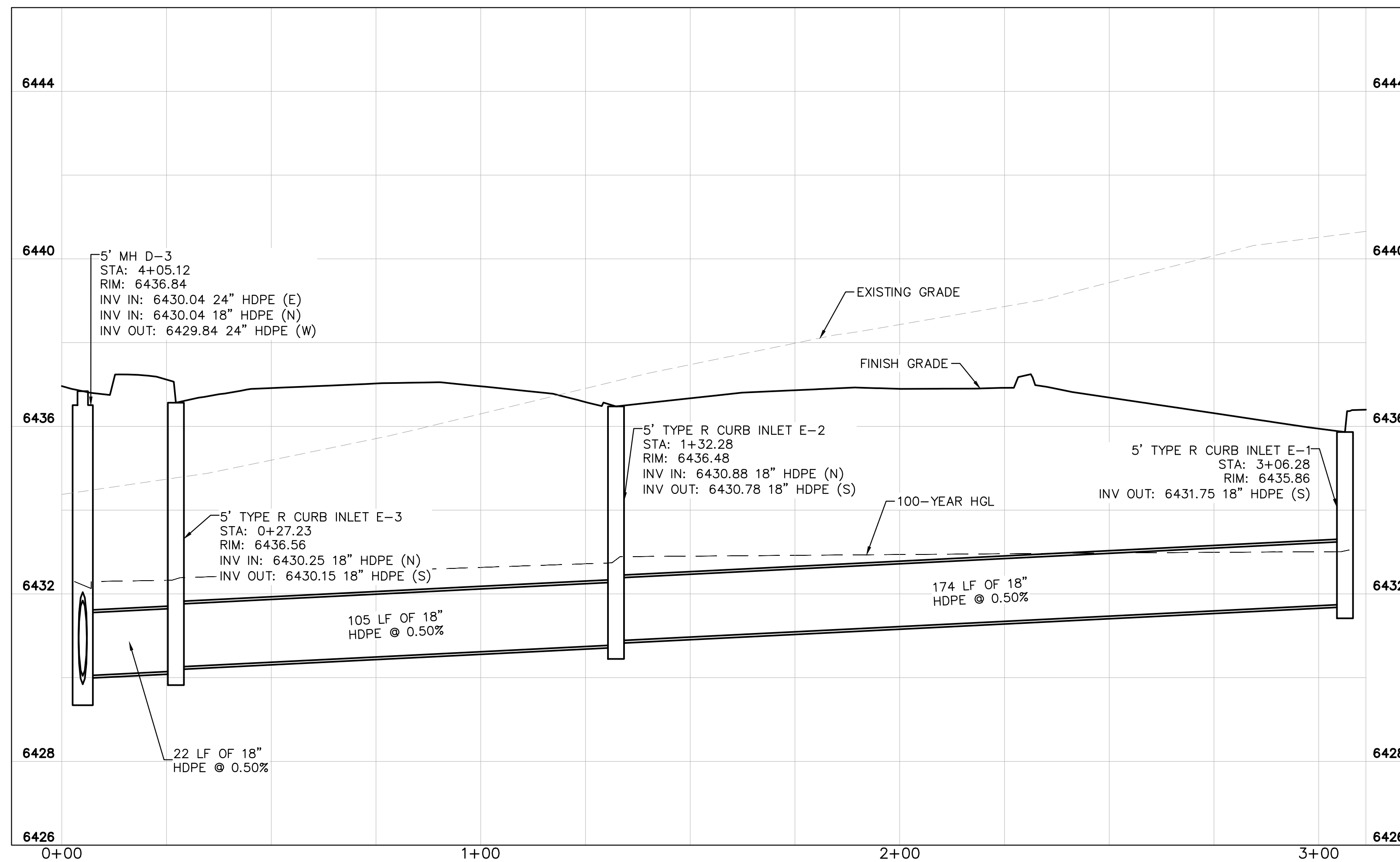
K:\DEN_Civil\096481004 - El Paso Constitution\CADD\PlanSheets\CD\096481004\UT_STPF.dwg Menke, Joseph 10/25/2022 1:33 PM



STORM SEWER LINE F - PLAN VIEW



- LEGEND:**
- PROPERTY LINE
 - - - - - EXISTING EASEMENT LINE
 - - - - - PROPOSED EASEMENT LINE
 - EXISTING STORM SEWER
 - PROPOSED STORM SEWER
 - EXISTING WATER LINE
 - PROPOSED WATER LINE
 - ▲ EXISTING FIRE HYDRANT
 - ▲ PROPOSED FIRE HYDRANT
 - ▲ PROPOSED FIRE DEPARTMENT CONNECTION W/ APPROVED KNOX HARDWARE
 - S --- EXISTING SANITARY SEWER
 - S --- PROPOSED SANITARY SEWER
 - ⊙ SANITARY SEWER MANHOLE
 - ⊙ PROPOSED STORM MANHOLE
 - ⊙ EXISTING STORM MANHOLE
 - PROPOSED CURB INLET
 - EXISTING CURB INLET
 - PROPOSED GRATE INLET



STORM SEWER LINE F - PROFILE VIEW

- STORM SEWER NOTES**
1. MANHOLE RIM ELEVATIONS PROVIDED FOR REFERENCE ONLY. CONTRACTOR SHALL INSTALL MANHOLES IN ACCORDANCE WITH APPLICABLE DETAILS BASED UPON FINAL FINISH GRADING AT MANHOLE LOCATION. CONTRACTOR SHALL BE RESPONSIBLE FOR ADJUSTMENTS TO ACCOMMODATE DEVIATIONS IN SITE GRADING AT NO COST TO THE OWNER.
 2. CONTRACTOR SHALL MODIFY STANDARD INLET STRUCTURE DIMENSIONS AND STRUCTURAL COMPONENTS TO ACCOMMODATE ASSOCIATED ENTRY AND OUTLET PIPES.
 3. ALL STORM SEWER MAINS PIPE, INLETS AND MANHOLES ARE PRIVATELY OWNED AND MAINTAINED BY THE OWNER UP UNTIL THE PUBLIC CONNECTION POINT, UNLESS OTHERWISE NOTED ON THE PLANS.
 4. ALL CURB INLET STATIONS ARE BASED ON THE MIDPOINT OF THE CURB INLET AT THE FLOWLINE.
 5. ALL CURB INLET FL ELEVATIONS AND STATIONING ARE BASED ON THE MIDPOINT OF THE CURB INLET AT FLOWLINE.
 6. ALL STORM SEWER PIPE 12" AND GREATER SHALL BE HDPE UNLESS OTHERWISE NOTED.
 7. ALL PRIVATE LANDSCAPE DRAINS SHALL BE NYLOPLAST TYPE OR APPROVED EQUIVALENT. RE: UTILITY DETAILS FOR NYLOPLAST DETAILED DRAWINGS.
 8. CONTRACTOR SHALL VERIFY LOCATIONS AND ELEVATIONS OF EXISTING STORM SEWER AT ALL CONNECTION POINTS AND NOTIFY ENGINEER OF ANY DISCREPANCIES PRIOR TO CONSTRUCTION.
 9. CONTRACTOR TO MODIFY EXISTING MANHOLE RIM ELEVATIONS TO MATCH PROPOSED FINISH GRADE AS NECESSARY.

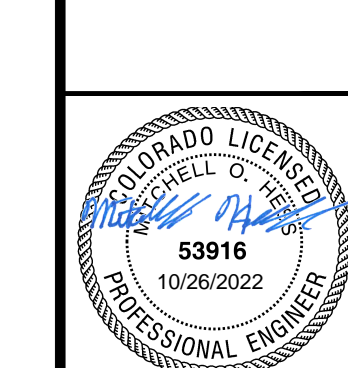


| | | | | |
|-----|----------|----|------|-------|
| NO. | REVISION | BY | DATE | APPR. |
| | | | | |

Kimley»Horn
2022 KIMLEY-HORN AND ASSOCIATES, INC.
2 North Nevada Avenue, Suite 300
Colorado Springs, CO 80903 (303) 228-2300

DESIGNED BY: MOH
DRAWN BY: JWM
CHECKED BY: DLS
DATE: 10/26/2022

THE CITIZEN ON CONSTITUTION
EL PASO COUNTY, COLORADO
UTILITY AND WATER SERVICE PLANS
STORM PLAN AND PROFILE LINE F

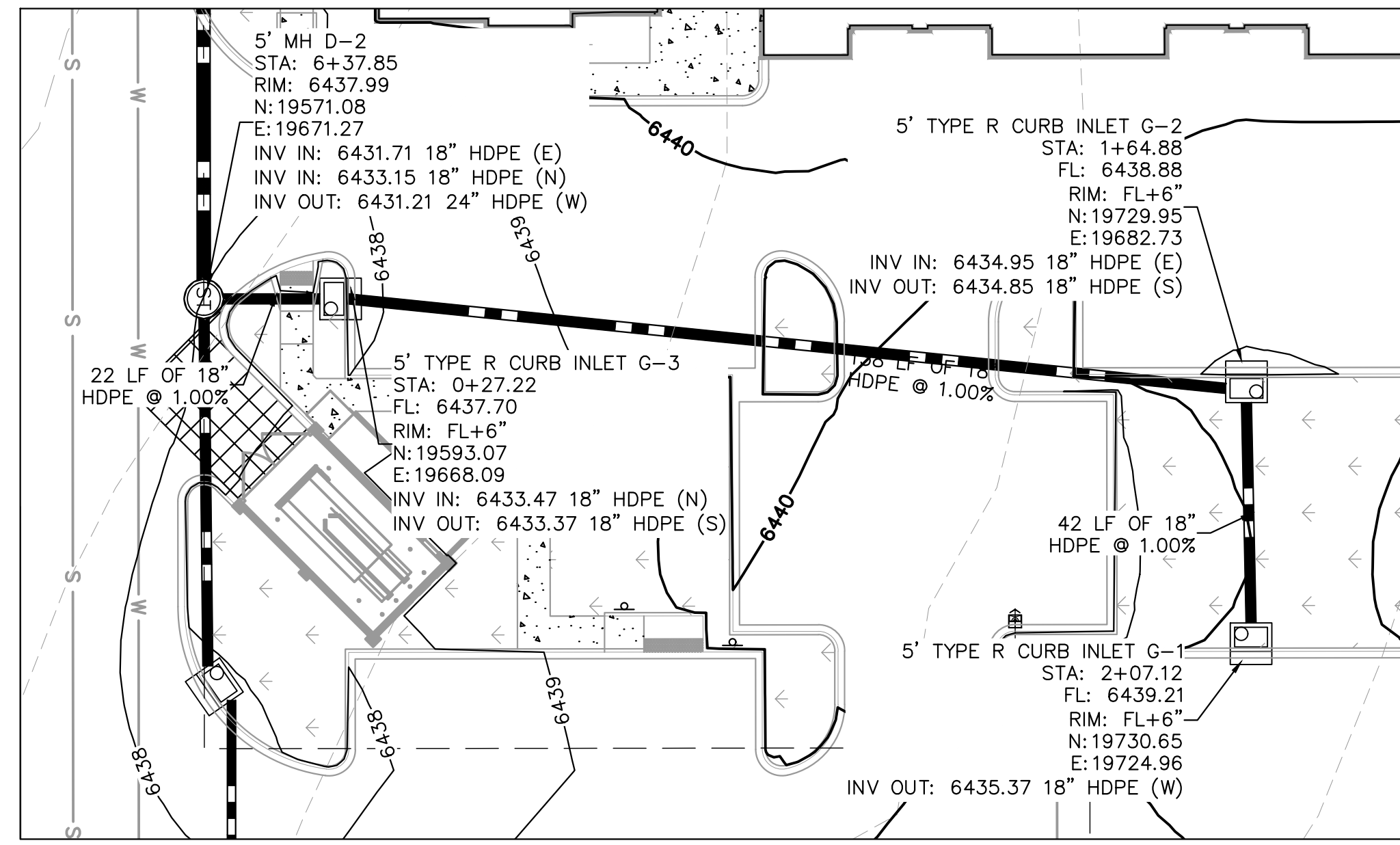


PROJECT NO.
096481004

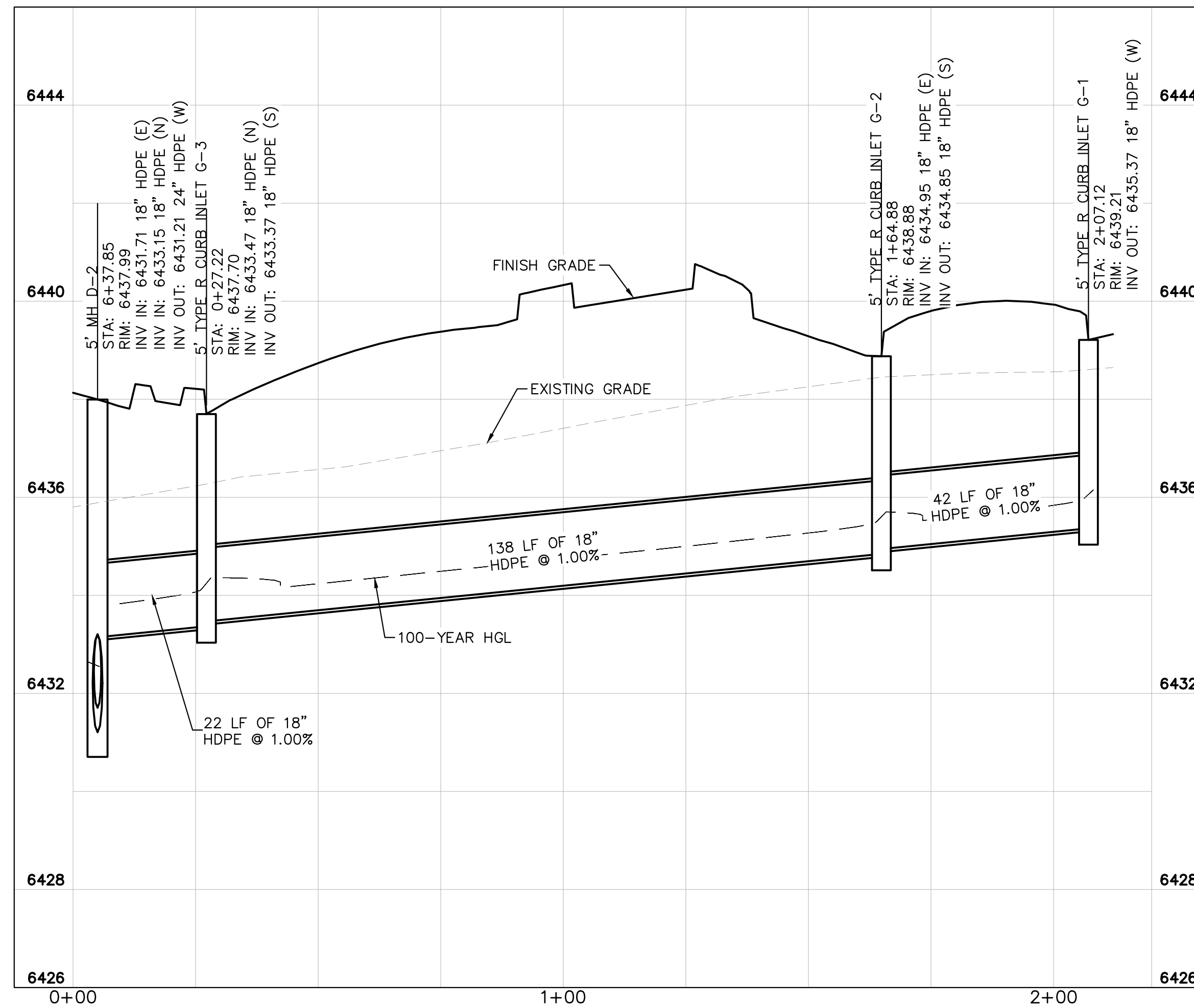
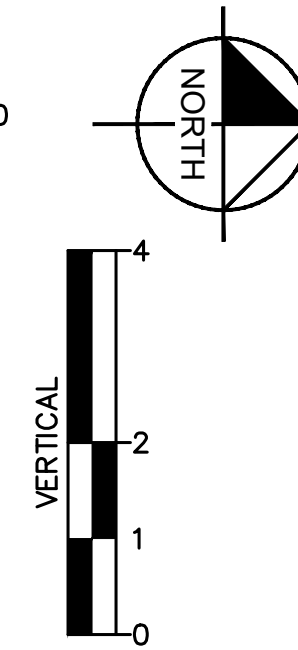
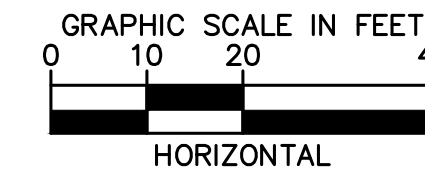
SHEET

C4.6

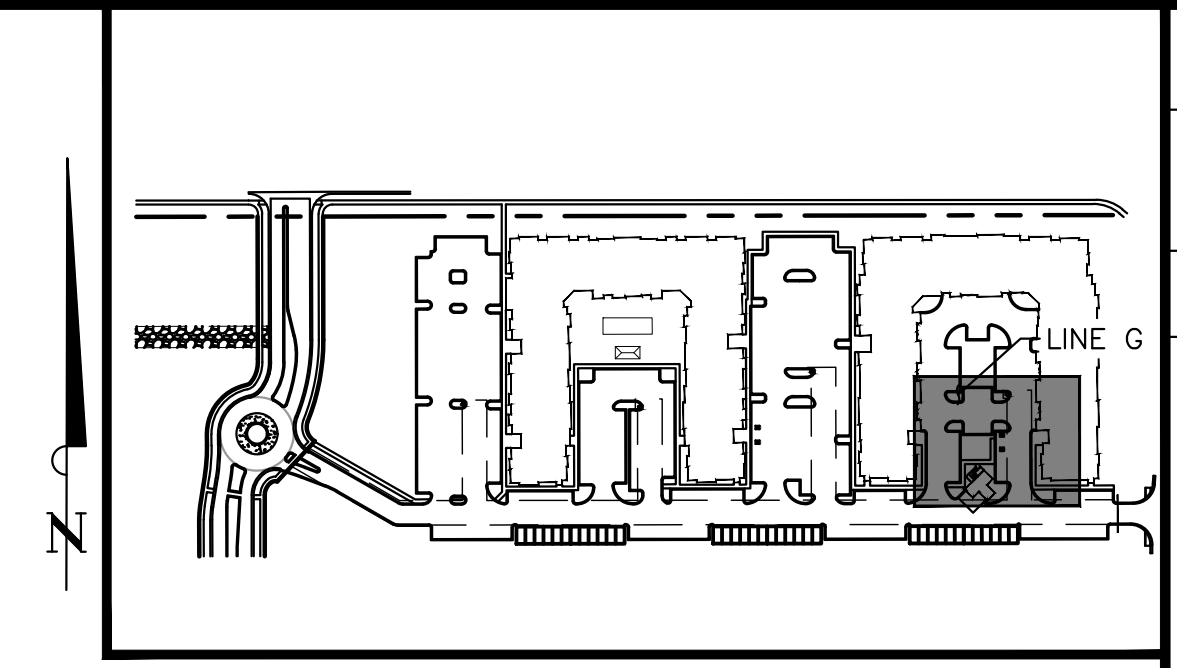
K:\DEN_Civil\096481004 - El Paso Constitution\CADD\PlanSheets\CD\096481004\UT_STPP.dwg Menke, Joseph 10/25/2022 1:33 PM



STORM SEWER LINE G - PLAN VIEW

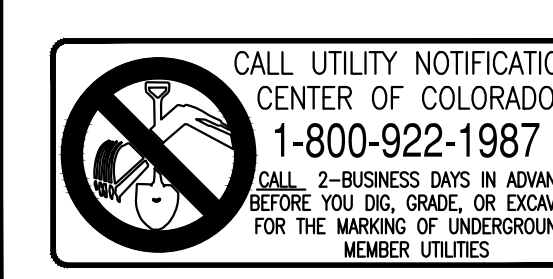


STORM SEWER LINE G - PROFILE VIEW



- LEGEND:**
- PROPERTY LINE
 - EXISTING EASEMENT LINE
 - PROPOSED EASEMENT LINE
 - EXISTING STORM SEWER
 - PROPOSED STORM SEWER
 - EXISTING WATER LINE
 - PROPOSED WATER LINE
 - ▲ EXISTING FIRE HYDRANT
 - ▲ PROPOSED FIRE HYDRANT
 - ▲ PROPOSED FIRE DEPARTMENT CONNECTION W/ APPROVED KNOX HARDWARE
 - S --- EXISTING SANITARY SEWER
 - S --- PROPOSED SANITARY SEWER
 - ⊙ SANITARY SEWER MANHOLE
 - ⊙ PROPOSED STORM MANHOLE
 - ⊙ EXISTING STORM MANHOLE
 - PROPOSED CURB INLET
 - EXISTING CURB INLET
 - PROPOSED GRATE INLET

- STORM SEWER NOTES**
1. MANHOLE RIM ELEVATIONS PROVIDED FOR REFERENCE ONLY. CONTRACTOR SHALL INSTALL MANHOLES IN ACCORDANCE WITH APPLICABLE DETAILS BASED UPON FINAL FINISH GRADING AT MANHOLE LOCATION. CONTRACTOR SHALL BE RESPONSIBLE FOR ADJUSTMENTS TO ACCOMMODATE DEVIATIONS IN SITE GRADING AT NO COST TO THE OWNER.
 2. CONTRACTOR SHALL MODIFY STANDARD INLET STRUCTURE DIMENSIONS AND STRUCTURAL COMPONENTS TO ACCOMMODATE ASSOCIATED ENTRY AND OUTLET PIPES.
 3. ALL STORM SEWER MAINS PIPE, INLETS AND MANHOLES ARE PRIVATELY OWNED AND MAINTAINED BY THE OWNER UP UNTIL THE PUBLIC CONNECTION POINT, UNLESS OTHERWISE NOTED ON THE PLANS.
 4. ALL CURB INLET STATIONS ARE BASED ON THE MIDPOINT OF THE CURB INLET AT THE FLOWLINE.
 5. ALL CURB INLET FL ELEVATIONS AND STATIONING ARE BASED ON THE MIDPOINT OF THE CURB INLET AT FLOWLINE.
 6. ALL STORM SEWER PIPE 12" AND GREATER SHALL BE HDPE UNLESS OTHERWISE NOTED.
 7. ALL PRIVATE LANDSCAPE DRAINS SHALL BE NYOPLAST TYPE OR APPROVED EQUIVALENT. RE: UTILITY DETAILS FOR NYOPLAST DETAILED DRAWINGS.
 8. CONTRACTOR SHALL VERIFY LOCATIONS AND ELEVATIONS OF EXISTING STORM SEWER AT ALL CONNECTION POINTS AND NOTIFY ENGINEER OF ANY DISCREPANCIES PRIOR TO CONSTRUCTION.
 9. CONTRACTOR TO MODIFY EXISTING MANHOLE RIM ELEVATIONS TO MATCH PROPOSED FINISH GRADE AS NECESSARY.



| | | | | |
|-----|----------|----|------|-------|
| NO. | REVISION | BY | DATE | APPR. |
| | | | | |

Kimley»Horn
2022 KIMLEY-HORN AND ASSOCIATES, INC.
2 North Nevada Avenue, Suite 300
Colorado Springs, CO 80903 (303) 228-2300

DESIGNED BY: MOH
DRAWN BY: JWM
CHECKED BY: DLS
DATE: 10/26/2022

THE CITIZEN ON CONSTITUTION
EL PASO COUNTY, COLORADO
UTILITY AND WATER SERVICE PLANS
STORM PLAN AND PROFILE LINE F

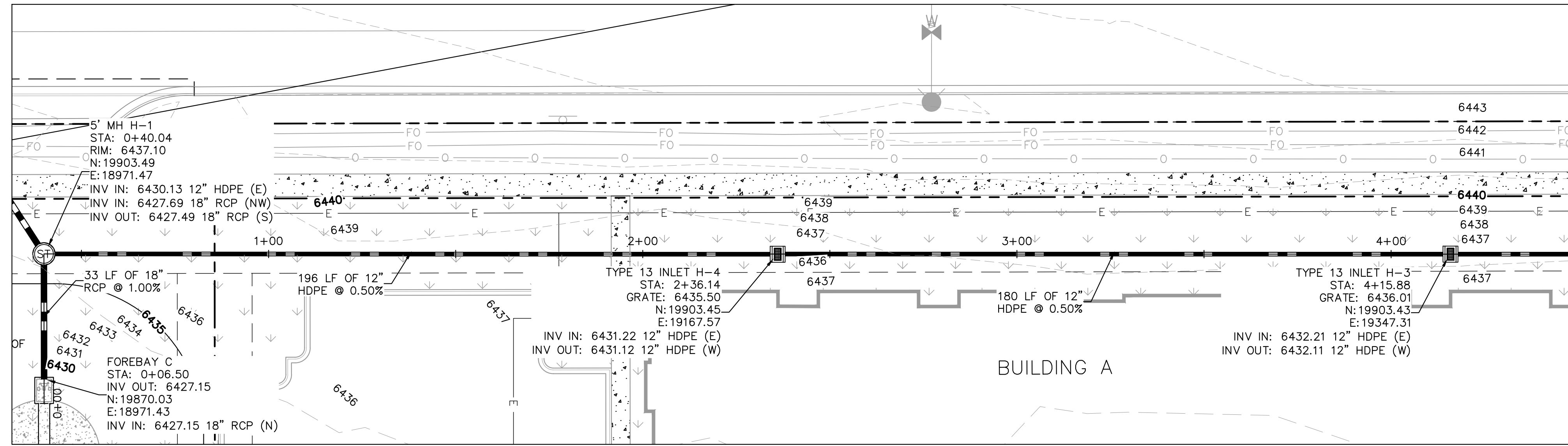


PROJECT NO.
096481004

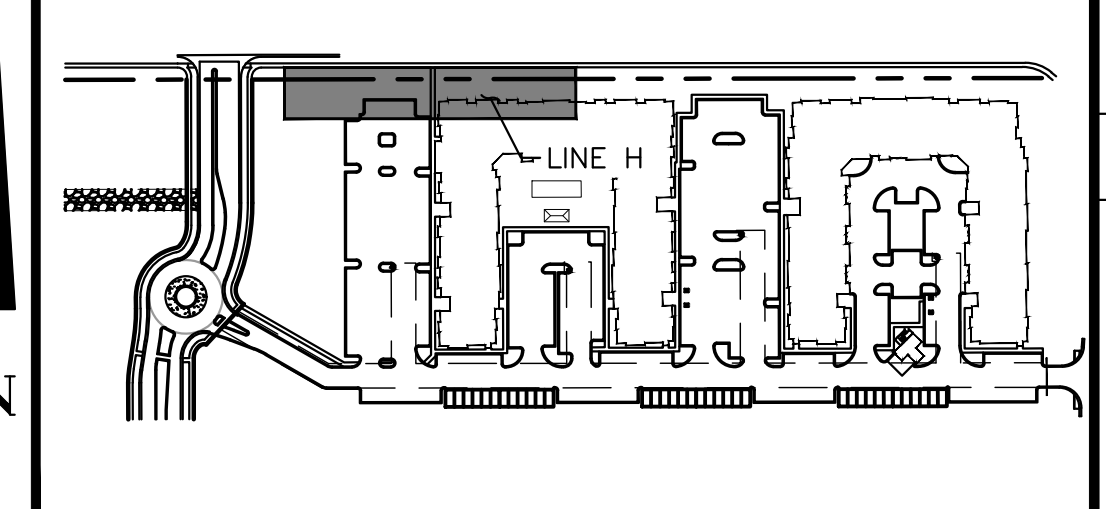
SHEET

C4.7

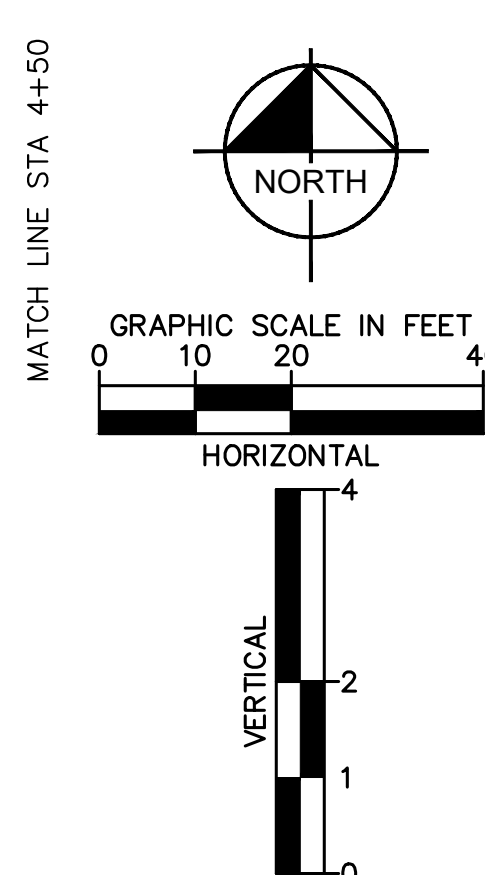
K:\DEN_Civil\096481004 - El Paso Constitution\CADD\PlanSheets\CD\096481004\UT_STPP.dwg Menke, Joseph 10/25/2022 1:33 PM



STORM SEWER LINE H STA 0+00-4+50 - PLAN VIEW

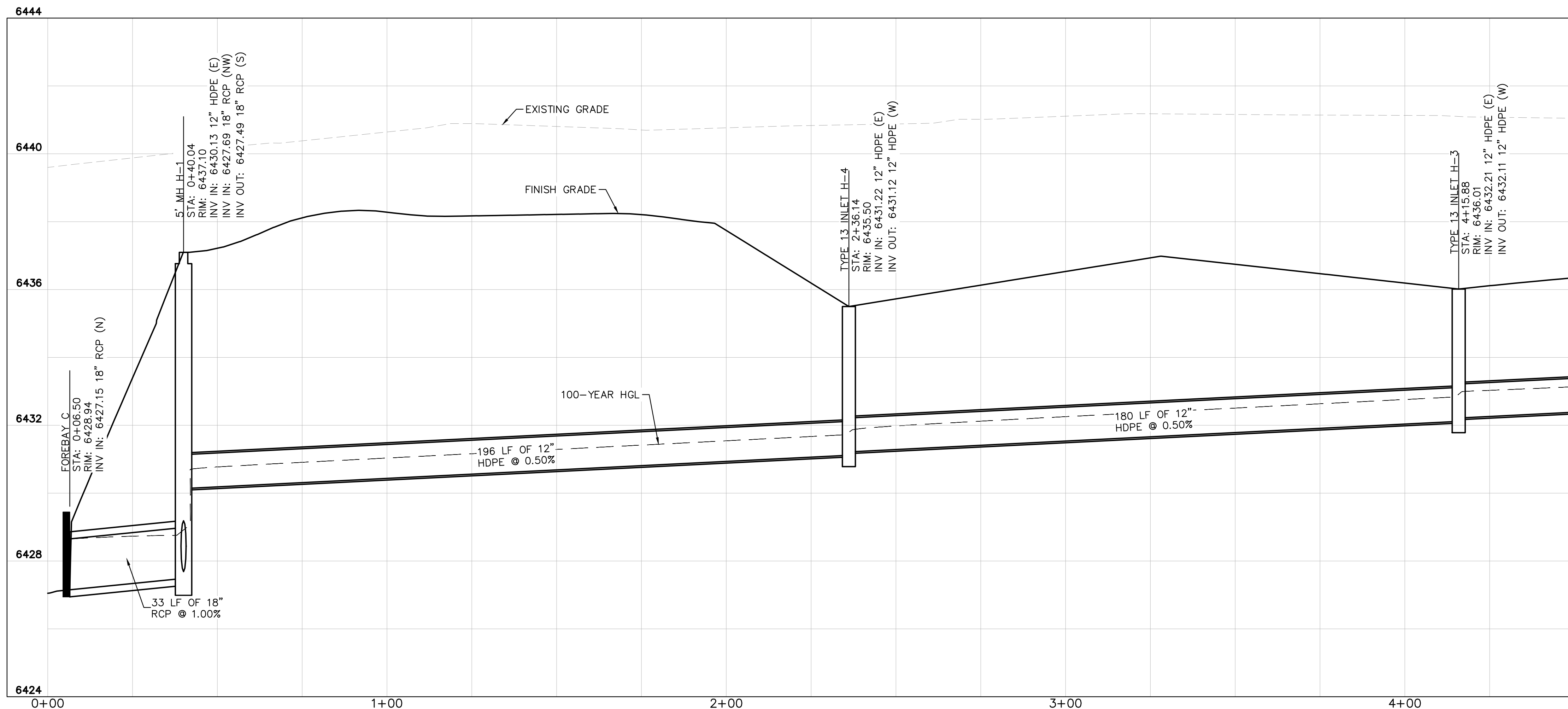


KEY MAP
NOT TO SCALE



- LEGEND:**
- PROPERTY LINE
 - EXISTING EASEMENT LINE
 - PROPOSED EASEMENT LINE
 - EXISTING STORM SEWER
 - PROPOSED STORM SEWER
 - EXISTING WATER LINE
 - PROPOSED WATER LINE
 - ▲ EXISTING FIRE HYDRANT
 - ▲ PROPOSED FIRE HYDRANT
 - ▲ PROPOSED FIRE DEPARTMENT CONNECTION W/ APPROVED KNOX HARDWARE
 - S --- EXISTING SANITARY SEWER
 - S --- PROPOSED SANITARY SEWER
 - ⊙ SANITARY SEWER MANHOLE
 - ⊙ PROPOSED STORM MANHOLE
 - ⊙ EXISTING STORM MANHOLE
 - PROPOSED CURB INLET
 - EXISTING CURB INLET
 - PROPOSED GRATE INLET

- STORM SEWER NOTES**
1. MANHOLE RIM ELEVATIONS PROVIDED FOR REFERENCE ONLY. CONTRACTOR SHALL INSTALL MANHOLES IN ACCORDANCE WITH APPLICABLE DETAILS BASED UPON FINAL FINISH GRADING AT MANHOLE LOCATION. CONTRACTOR SHALL BE RESPONSIBLE FOR ADJUSTMENTS TO ACCOMMODATE DEVIATIONS IN SITE GRADING AT NO COST TO THE OWNER.
 2. CONTRACTOR SHALL MODIFY STANDARD INLET STRUCTURE DIMENSIONS AND STRUCTURAL COMPONENTS TO ACCOMMODATE ASSOCIATED ENTRY AND OUTLET PIPES.
 3. ALL STORM SEWER MAINS PIPE, INLETS AND MANHOLES ARE PRIVATELY OWNED AND MAINTAINED BY THE OWNER UP UNTIL THE PUBLIC CONNECTION POINT, UNLESS OTHERWISE NOTED ON THE PLANS.
 4. ALL CURB INLET STATIONS ARE BASED ON THE MIDPOINT OF THE CURB INLET AT THE FLOWLINE.
 5. ALL CURB INLET FL ELEVATIONS AND STATIONING ARE BASED ON THE MIDPOINT OF THE CURB INLET AT FLOWLINE.
 6. ALL STORM SEWER PIPE 12" AND GREATER SHALL BE HDPE UNLESS OTHERWISE NOTED.
 7. ALL PRIVATE LANDSCAPE DRAINS SHALL BE NYLOPLAST TYPE OR APPROVED EQUIVALENT. RE: UTILITY DETAILS FOR NYLOPLAST DETAILED DRAWINGS.
 8. CONTRACTOR SHALL VERIFY LOCATIONS AND ELEVATIONS OF EXISTING STORM SEWER AT ALL CONNECTION POINTS AND NOTIFY ENGINEER OF ANY DISCREPANCIES PRIOR TO CONSTRUCTION.
 9. CONTRACTOR TO MODIFY EXISTING MANHOLE RIM ELEVATIONS TO MATCH PROPOSED FINISH GRADE AS NECESSARY.



STORM SEWER LINE H STA 0+00-4+50 - PROFILE VIEW



Kimley»Horn
2022 KIMLEY-HORN AND ASSOCIATES, INC.
2 North Nevada Avenue, Suite 300
Colorado Springs, CO 80903 (303) 228-2300

DESIGNED BY: MOH
DRAWN BY: JWM
CHECKED BY: DLS
DATE: 10/26/2022

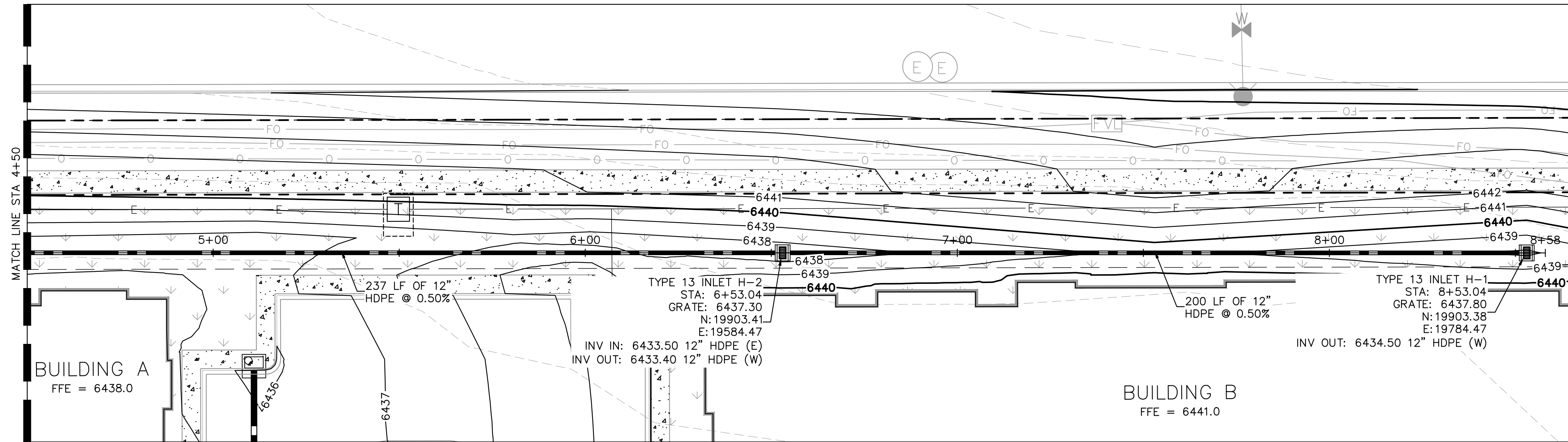
THE CITIZEN ON CONSTITUTION
EL PASO COUNTY, COLORADO
UTILITY AND WATER SERVICE PLANS
STORM PLAN AND PROFILE LINE G



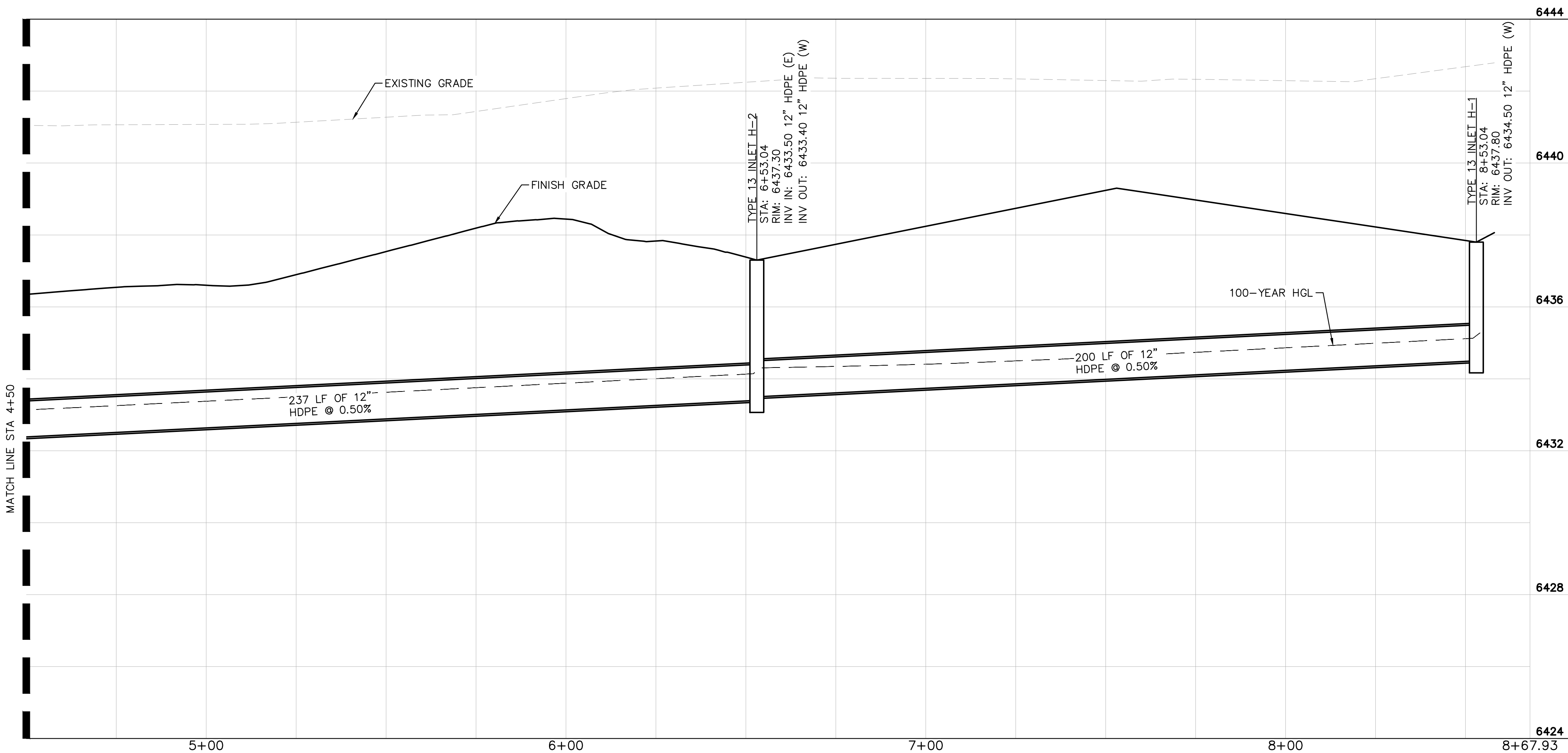
PROJECT NO.
096481004
SHEET

C4.8

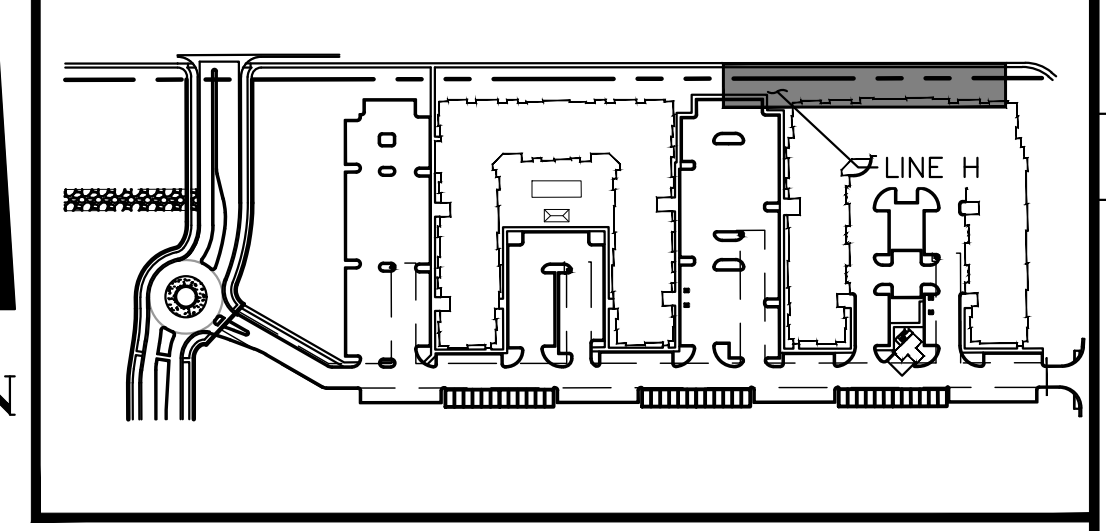
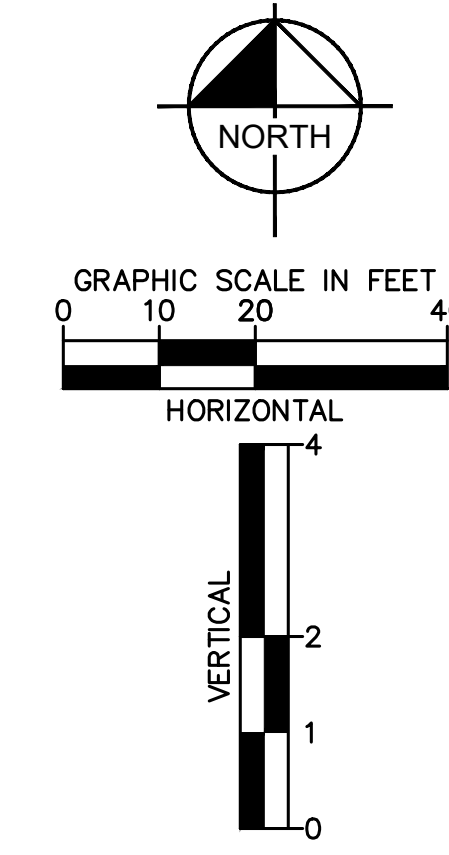
K:\DEN_Civil\096481004 - El Paso Constitution\CADD\PlanSheets\CD\096481004\UT_STPP.dwg Menke, Joseph 10/25/2022 1:33 PM



STORM SEWER LINE H STA 4+50-END - PLAN VIEW



STORM SEWER LINE H STA 4+50-END - PROFILE VIEW



KEY MAP
NOT TO SCALE

- LEGEND:**
- PROPERTY LINE
 - EXISTING EASEMENT LINE
 - PROPOSED EASEMENT LINE
 - EXISTING STORM SEWER
 - PROPOSED STORM SEWER
 - EXISTING WATER LINE
 - PROPOSED WATER LINE
 - ▲ EXISTING FIRE HYDRANT
 - ▲ PROPOSED FIRE HYDRANT
 - ▲ PROPOSED FIRE DEPARTMENT CONNECTION W/ APPROVED KNOX HARDWARE
 - S --- EXISTING SANITARY SEWER
 - S --- PROPOSED SANITARY SEWER
 - ⊙ SANITARY SEWER MANHOLE
 - ⊙ PROPOSED STORM MANHOLE
 - ⊙ EXISTING STORM MANHOLE
 - PROPOSED CURB INLET
 - EXISTING CURB INLET
 - PROPOSED GRATE INLET

STORM SEWER NOTES

1. MANHOLE RIM ELEVATIONS PROVIDED FOR REFERENCE ONLY. CONTRACTOR SHALL INSTALL MANHOLES IN ACCORDANCE WITH APPLICABLE DETAILS BASED UPON FINAL FINISH GRADING AT MANHOLE LOCATION. CONTRACTOR SHALL BE RESPONSIBLE FOR ADJUSTMENTS TO ACCOMMODATE DEVIATIONS IN SITE GRADING AT NO COST TO THE OWNER.
2. CONTRACTOR SHALL MODIFY STANDARD INLET STRUCTURE DIMENSIONS AND STRUCTURAL COMPONENTS TO ACCOMMODATE ASSOCIATED ENTRY AND OUTLET PIPES.
3. ALL STORM SEWER MAINS PIPE, INLETS AND MANHOLES ARE PRIVATELY OWNED AND MAINTAINED BY THE OWNER UP UNTIL THE PUBLIC CONNECTION POINT, UNLESS OTHERWISE NOTED ON THE PLANS.
4. ALL CURB INLET STATIONS ARE BASED ON THE MIDPOINT OF THE CURB INLET AT THE FLOWLINE.
5. ALL CURB INLET FL ELEVATIONS AND STATIONING ARE BASED ON THE MIDPOINT OF THE CURB INLET AT FLOWLINE.
6. ALL STORM SEWER PIPE 12" AND GREATER SHALL BE HDPE UNLESS OTHERWISE NOTED.
7. ALL PRIVATE LANDSCAPE DRAINS SHALL BE NYOPLAST TYPE OR APPROVED EQUIVALENT. RE: UTILITY DETAILS FOR NYOPLAST DETAILED DRAWINGS.
8. CONTRACTOR SHALL VERIFY LOCATIONS AND ELEVATIONS OF EXISTING STORM SEWER AT ALL CONNECTION POINTS AND NOTIFY ENGINEER OF ANY DISCREPANCIES PRIOR TO CONSTRUCTION.
9. CONTRACTOR TO MODIFY EXISTING MANHOLE RIM ELEVATIONS TO MATCH PROPOSED FINISH GRADE AS NECESSARY.



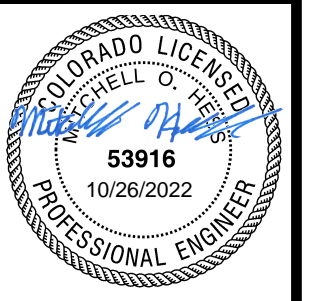
CALL UTILITY NOTIFICATION CENTER OF COLORADO
1-800-922-1987
CALL 2-BUSINESS DAYS IN ADVANCE BEFORE YOU DIG, GRADE, OR EXCAVATE FOR THE MARKING OF UNDERGROUND MEMBER UTILITIES

| NO. | REVISION | BY | DATE | APPR. |
|-----|----------|----|------|-------|
| | | | | |

Kimley»Horn
2022 KIMLEY-HORN AND ASSOCIATES, INC.
2 North Nevada Avenue, Suite 300
Colorado Springs, CO 80903 (303) 228-2300

DESIGNED BY: MOH
DRAWN BY: JWM
CHECKED BY: DLS
DATE: 10/26/2022

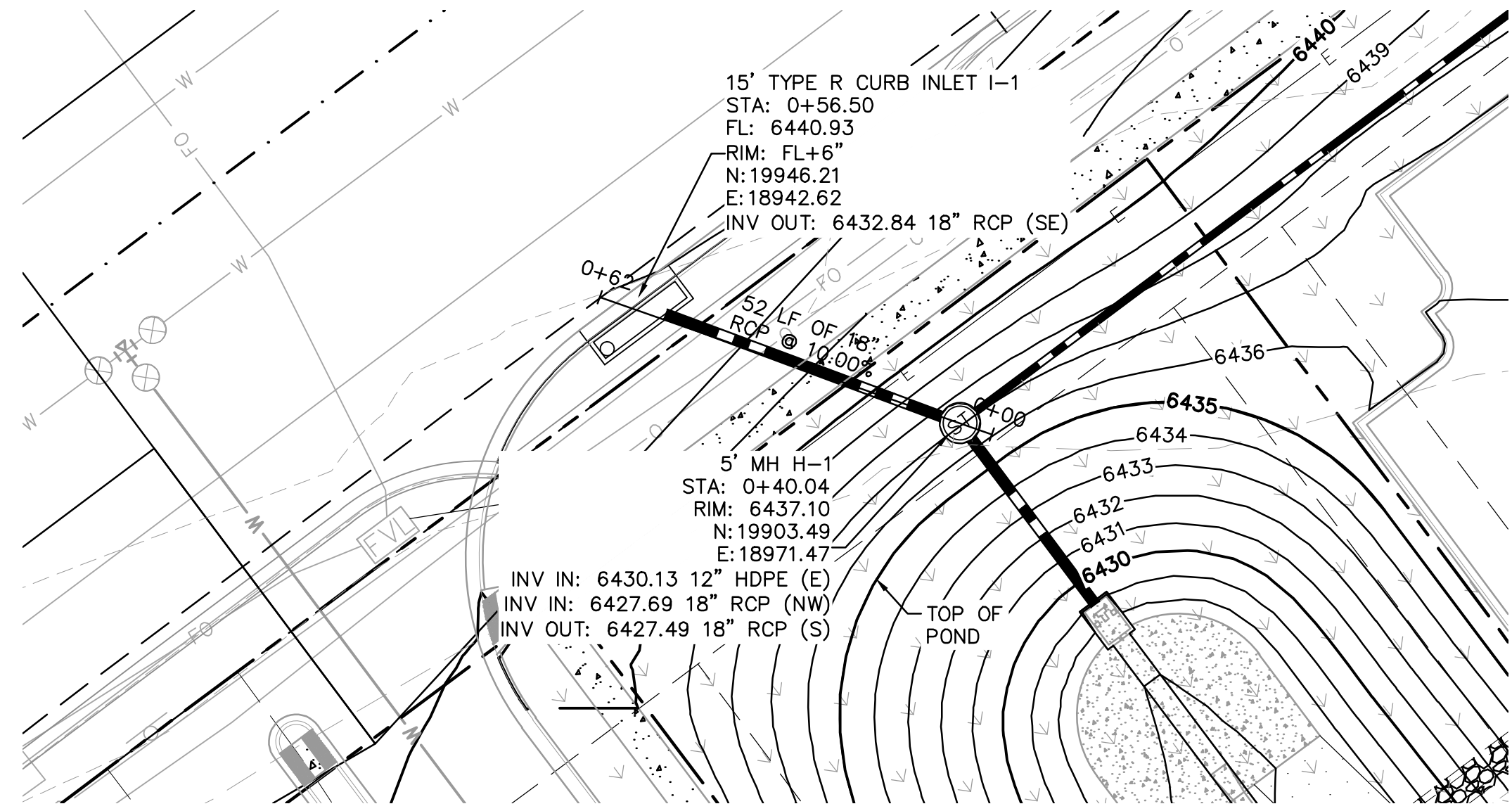
THE CITIZEN ON CONSTITUTION
EL PASO COUNTY, COLORADO
UTILITY AND WATER SERVICE PLANS
STORM PLAN AND PROFILE LINE H



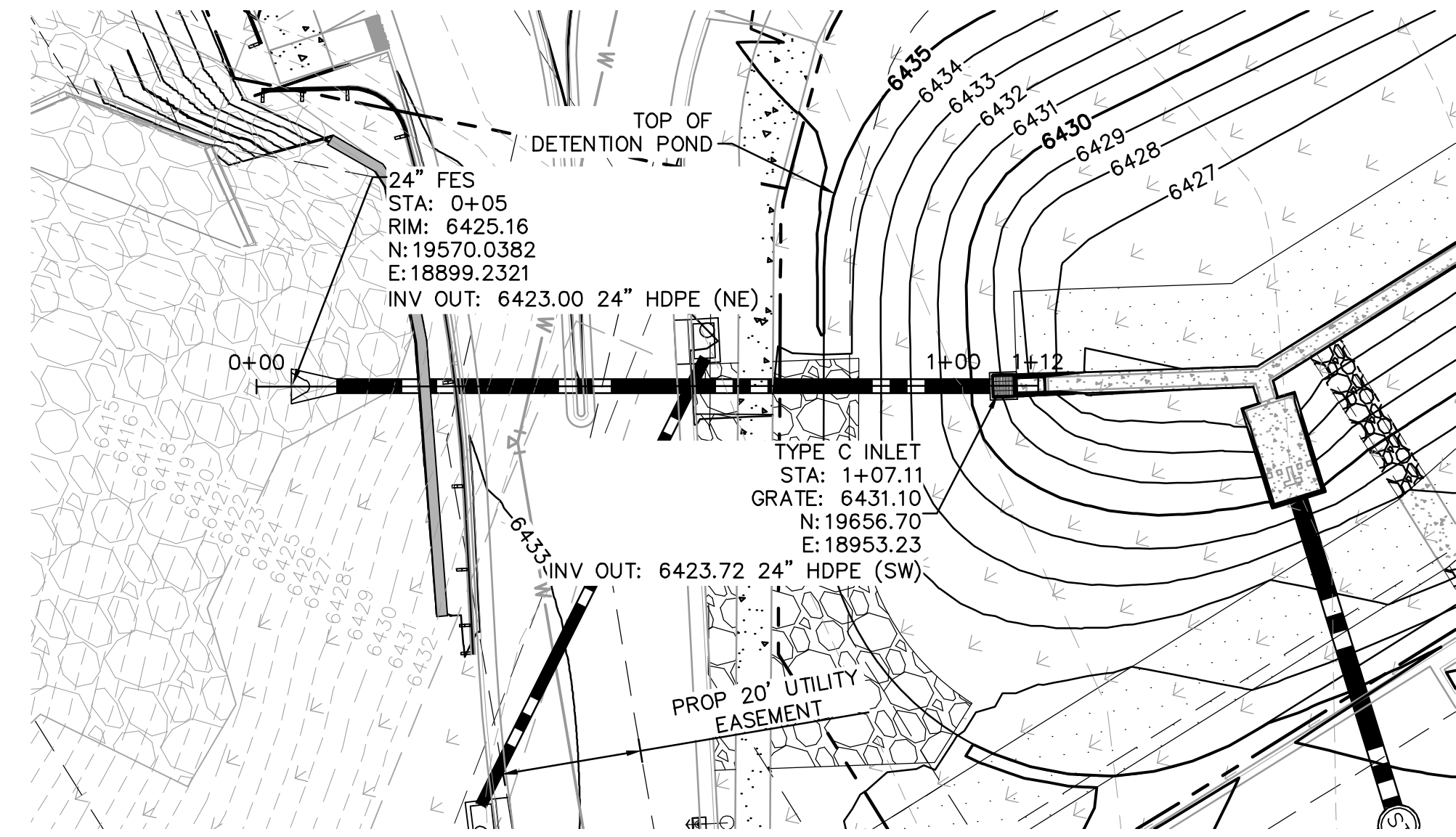
PROJECT NO.
096481004
SHEET

C4.9

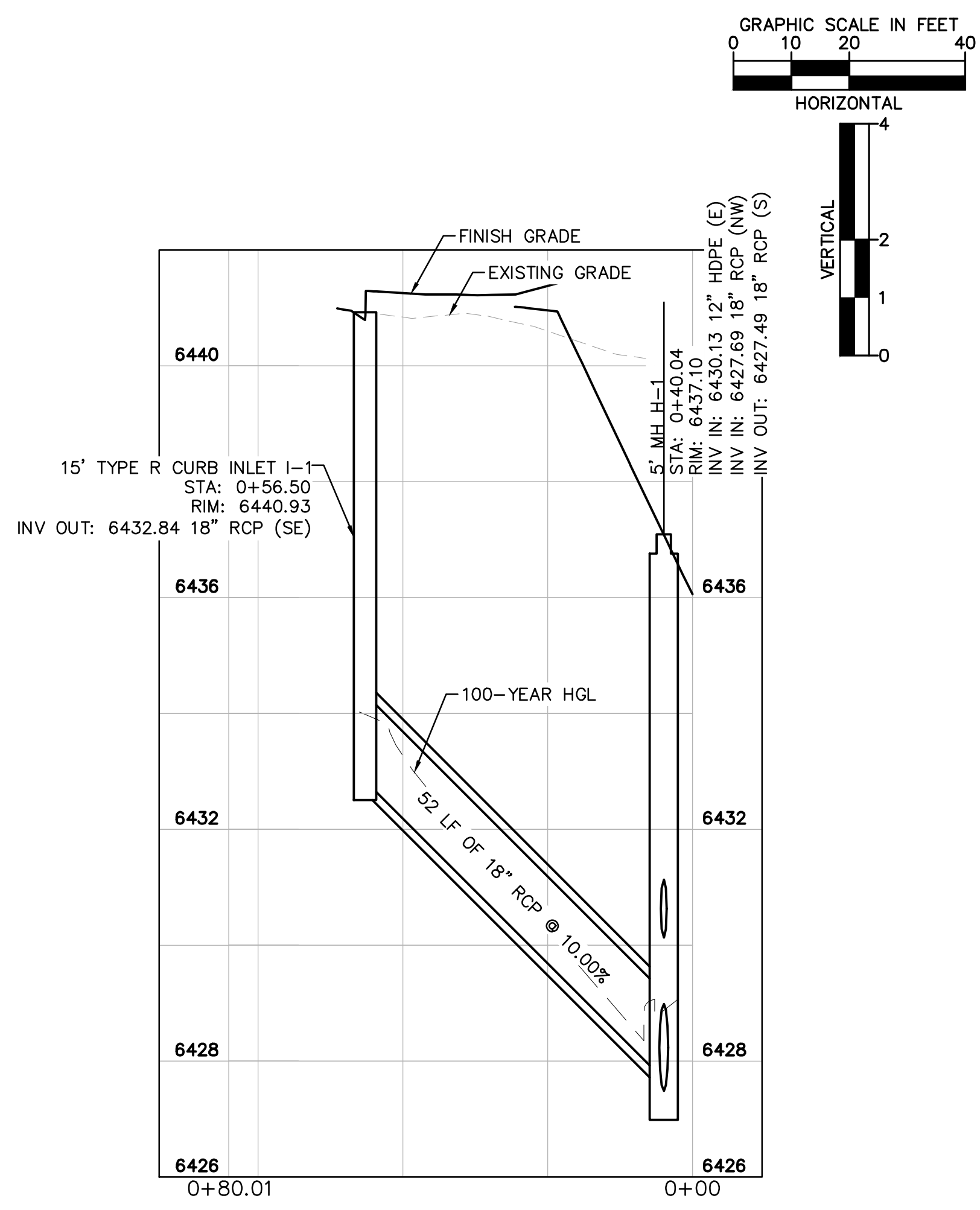
K:\DEN_Civil\096481004 - El Paso Constitution\CADD\PlanSheets\CD\096481004\UT_STPP.dwg Hess, Mitchell 10/26/2022 8:45 AM



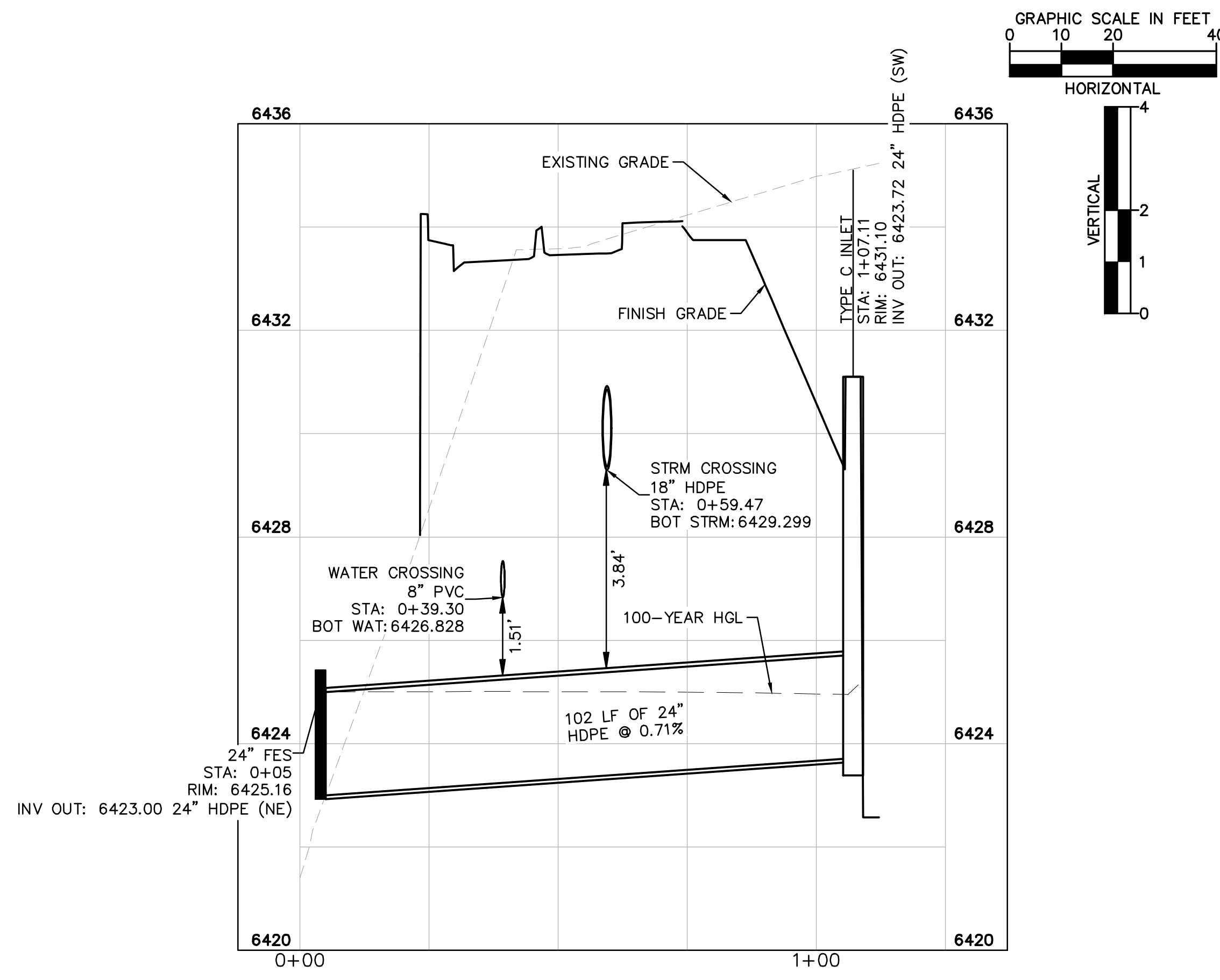
STORM SEWER LINE I - PLAN VIEW



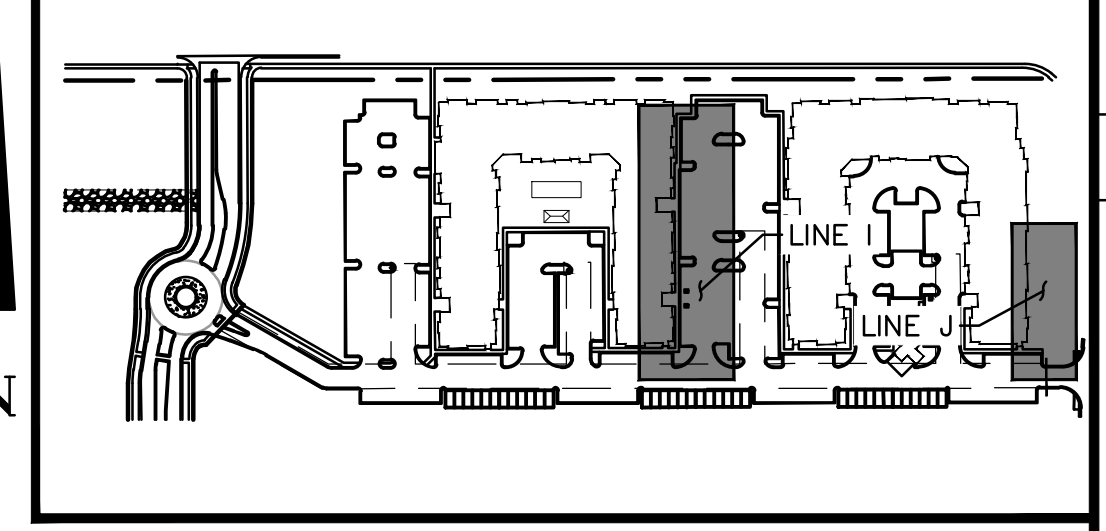
STORM SEWER LINE J STA 0+00-1+66 PLAN VIEW



STORM SEWER LINE I - PROFILE VIEW



STORM SEWER LINE J - PROFILE VIEW



KEY MAP
NOT TO SCALE

LEGEND:

- PROPERTY LINE
- - - - - EXISTING EASEMENT LINE
- - - - - PROPOSED EASEMENT LINE
- EXISTING STORM SEWER
- PROPOSED STORM SEWER
- EXISTING WATER LINE
- PROPOSED WATER LINE
- EXISTING FIRE HYDRANT
- PROPOSED FIRE HYDRANT
- PROPOSED FIRE DEPARTMENT CONNECTION W/ APPROVED KNOX HARDWARE
- EXISTING SANITARY SEWER
- PROPOSED SANITARY SEWER
- SANITARY SEWER MANHOLE
- PROPOSED STORM MANHOLE
- EXISTING STORM MANHOLE
- PROPOSED CURB INLET
- EXISTING CURB INLET
- PROPOSED GRATE INLET

STORM SEWER NOTES

1. MANHOLE RIM ELEVATIONS PROVIDED FOR REFERENCE ONLY. CONTRACTOR SHALL INSTALL MANHOLES IN ACCORDANCE WITH APPLICABLE DETAILS BASED UPON FINAL FINISH GRADING AT MANHOLE LOCATION. CONTRACTOR SHALL BE RESPONSIBLE FOR ADJUSTMENTS TO ACCOMMODATE DEVIATIONS IN SITE GRADING AT NO COST TO THE OWNER.
2. CONTRACTOR SHALL MODIFY STANDARD INLET STRUCTURE DIMENSIONS AND STRUCTURAL COMPONENTS TO ACCOMMODATE ASSOCIATED ENTRY AND OUTLET PIPES.
3. ALL STORM SEWER MAINS PIPE, INLETS AND MANHOLES ARE PRIVATELY OWNED AND MAINTAINED BY THE OWNER UP UNTIL THE PUBLIC CONNECTION POINT, UNLESS OTHERWISE NOTED ON THE PLANS.
4. ALL CURB INLET STATIONS ARE BASED ON THE MIDPOINT OF THE CURB INLET AT THE FLOWLINE.
5. ALL CURB INLET FL ELEVATIONS AND STATIONING ARE BASED ON THE MIDPOINT OF THE CURB INLET AT FLOWLINE.
6. ALL STORM SEWER PIPE 12" AND GREATER SHALL BE HDPE UNLESS OTHERWISE NOTED.
7. ALL PRIVATE LANDSCAPE DRAINS SHALL BE NYLOPLAST TYPE OR APPROVED EQUIVALENT. RE: UTILITY DETAILS FOR NYLOPLAST DETAILED DRAWINGS.
8. CONTRACTOR SHALL VERIFY LOCATIONS AND ELEVATIONS OF EXISTING STORM SEWER AT ALL CONNECTION POINTS AND NOTIFY ENGINEER OF ANY DISCREPANCIES PRIOR TO CONSTRUCTION.
9. CONTRACTOR TO MODIFY EXISTING MANHOLE RIM ELEVATIONS TO MATCH PROPOSED FINISH GRADE AS NECESSARY.

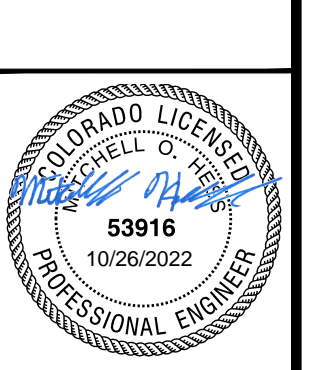


| NO. | REVISION | BY | DATE | APPR. |
|-----|----------|----|------|-------|
| | | | | |

Kimley»Horn
 2022 KIMLEY-HORN AND ASSOCIATES, INC.
 2 North Nevada Avenue, Suite 300
 Colorado Springs, CO 80903 (303) 228-2300

DESIGNED BY: MOH
 DRAWN BY: JWM
 CHECKED BY: DLS
 DATE: 10/26/2022

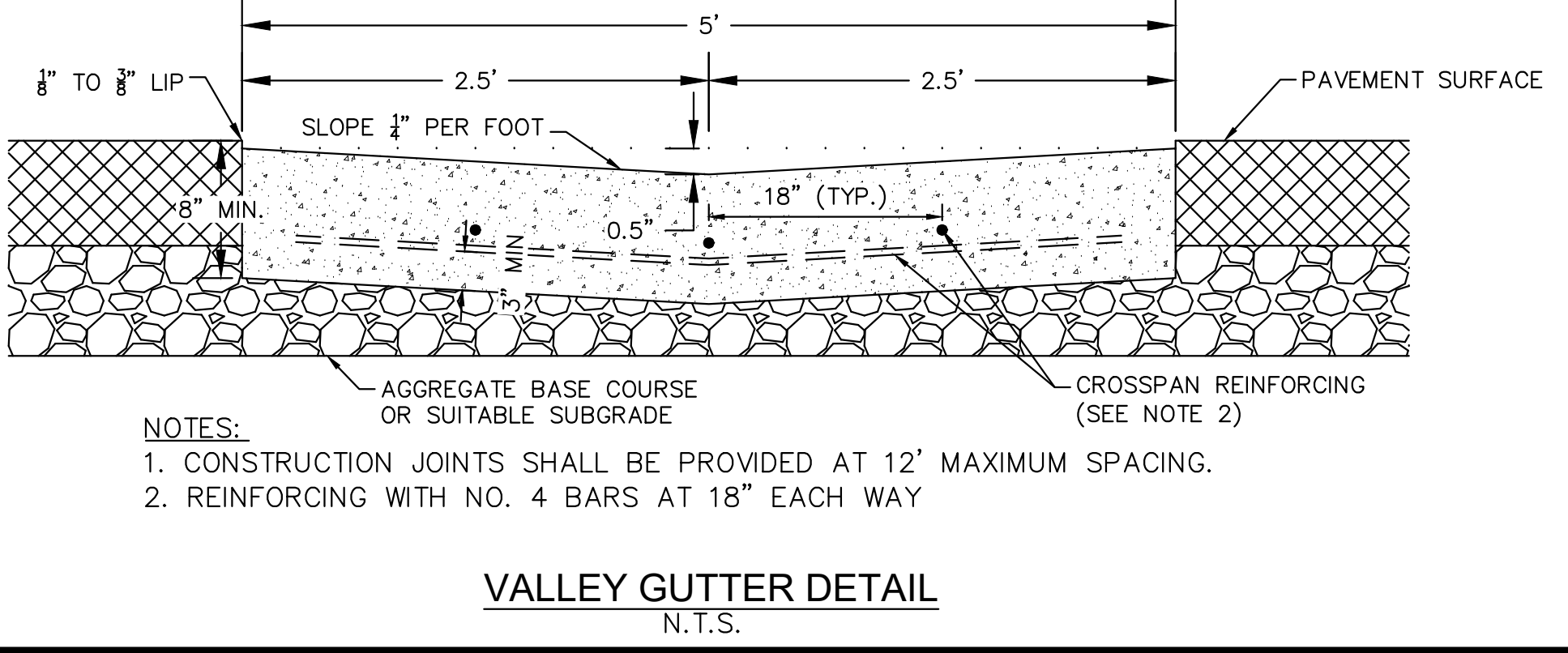
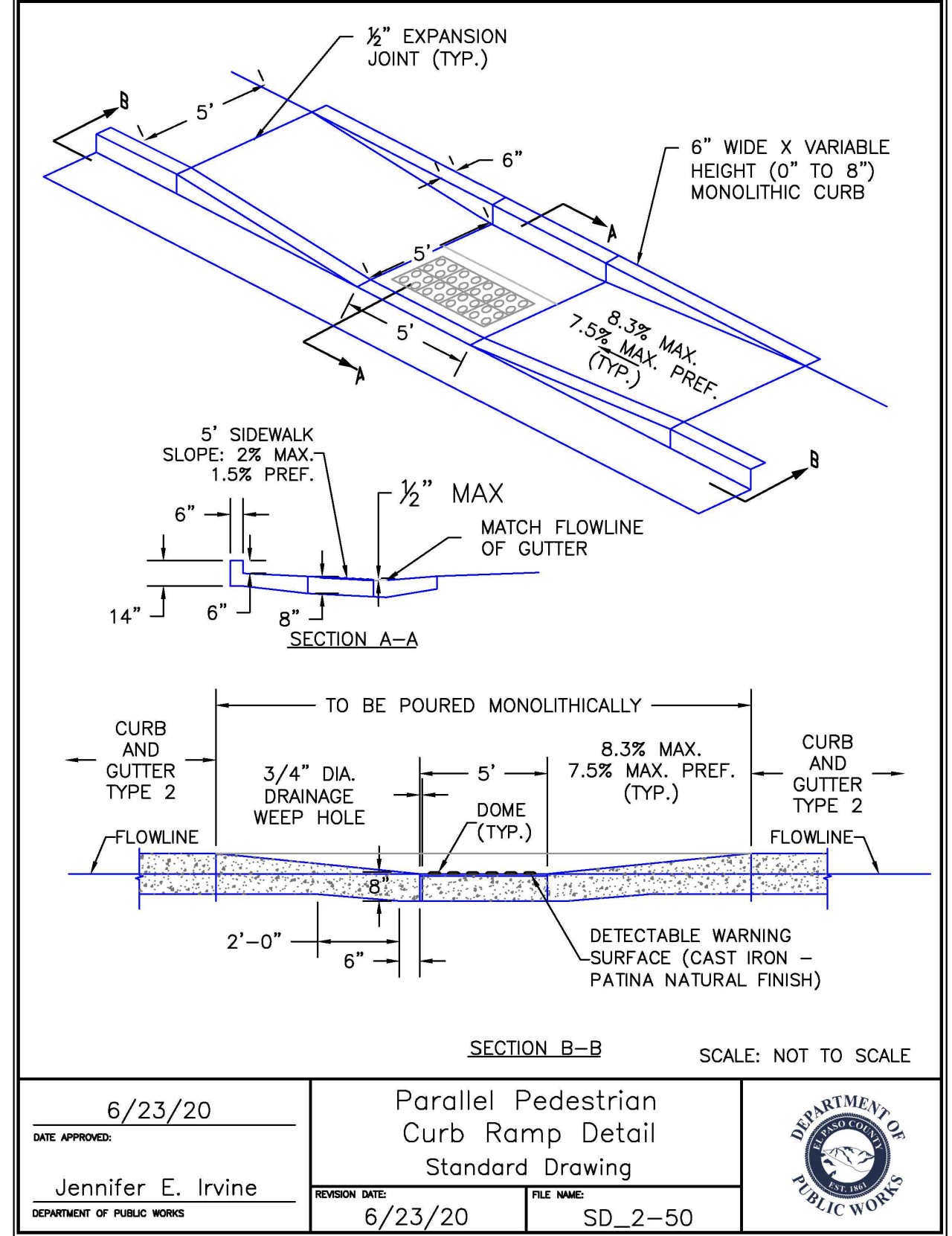
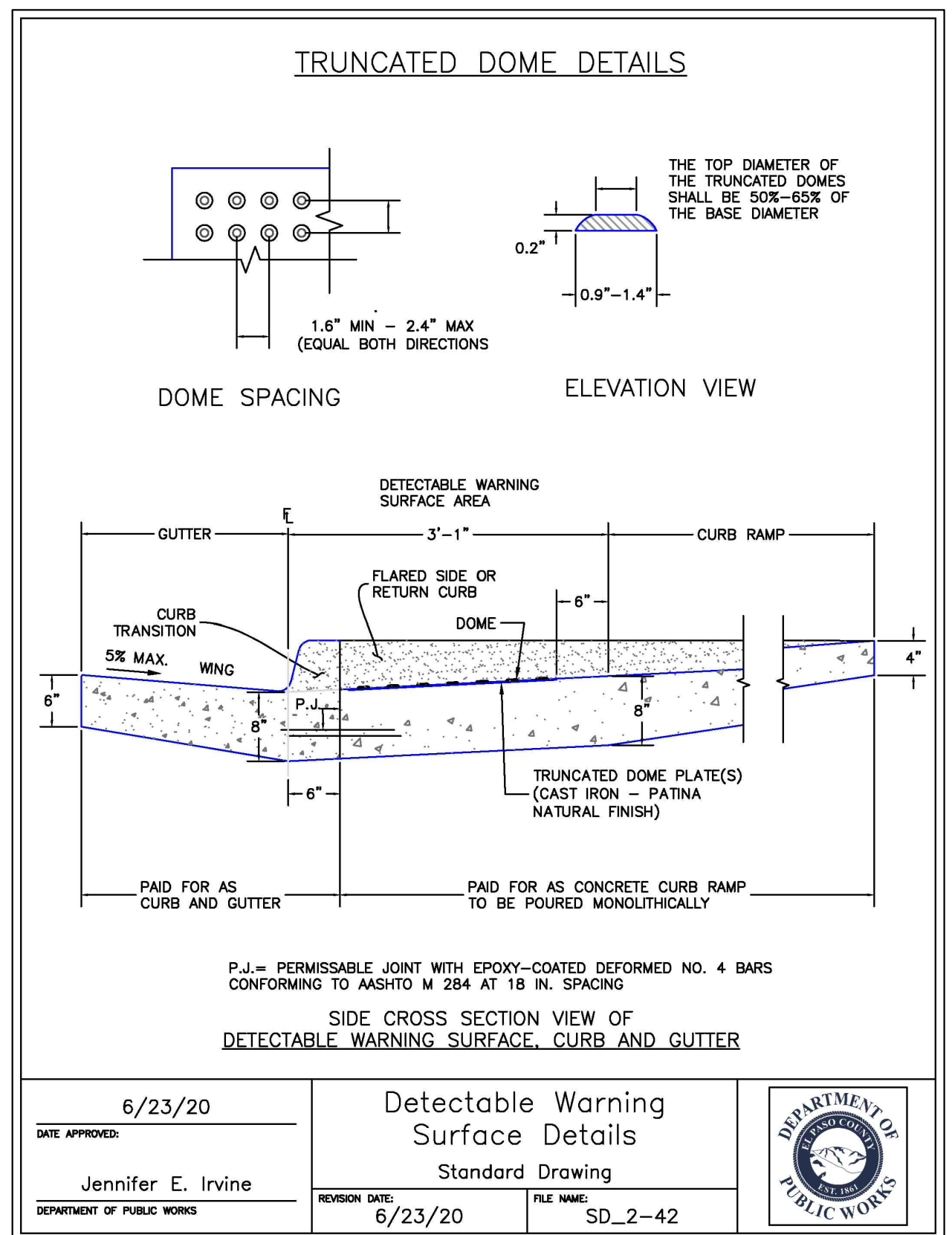
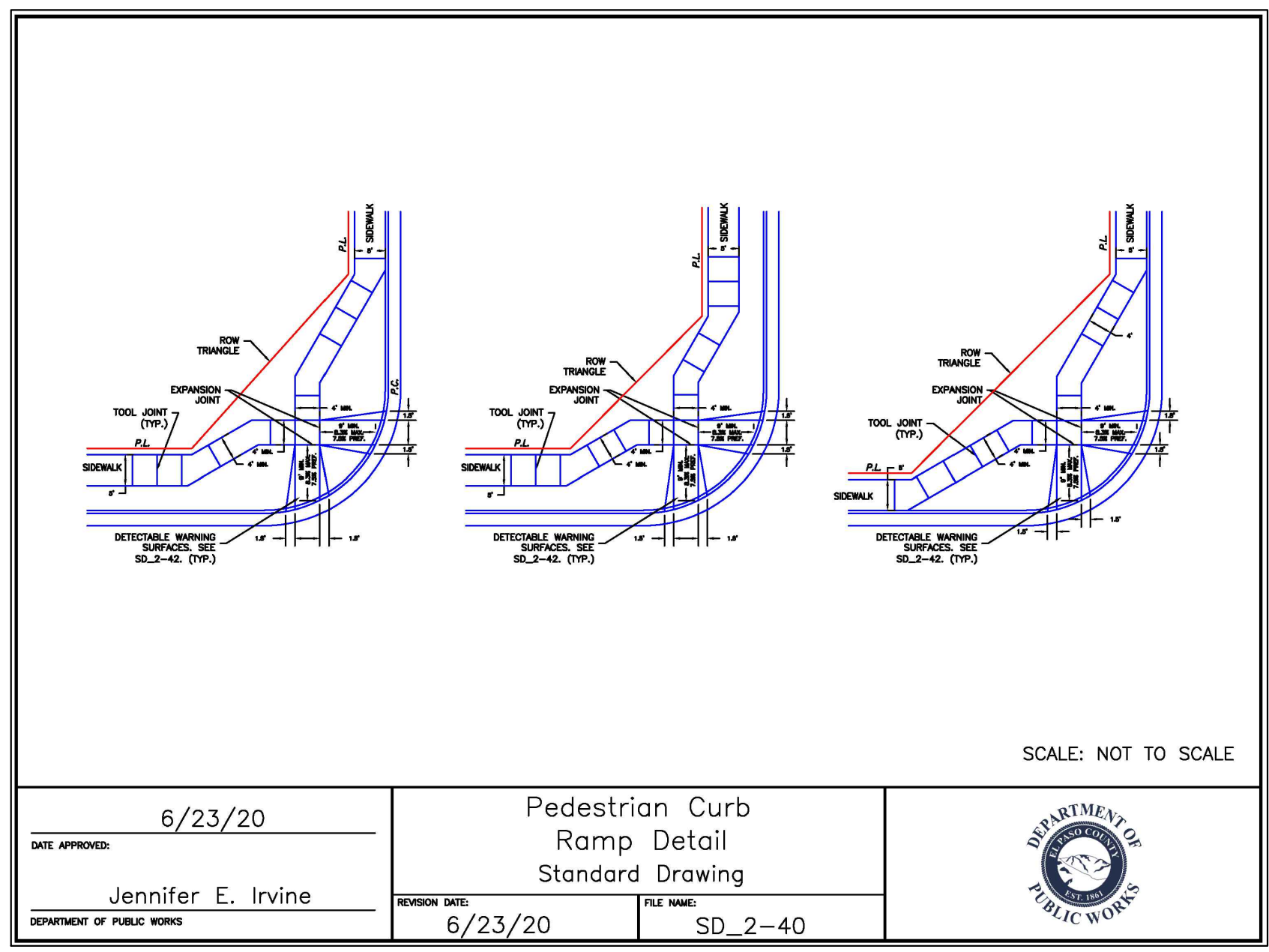
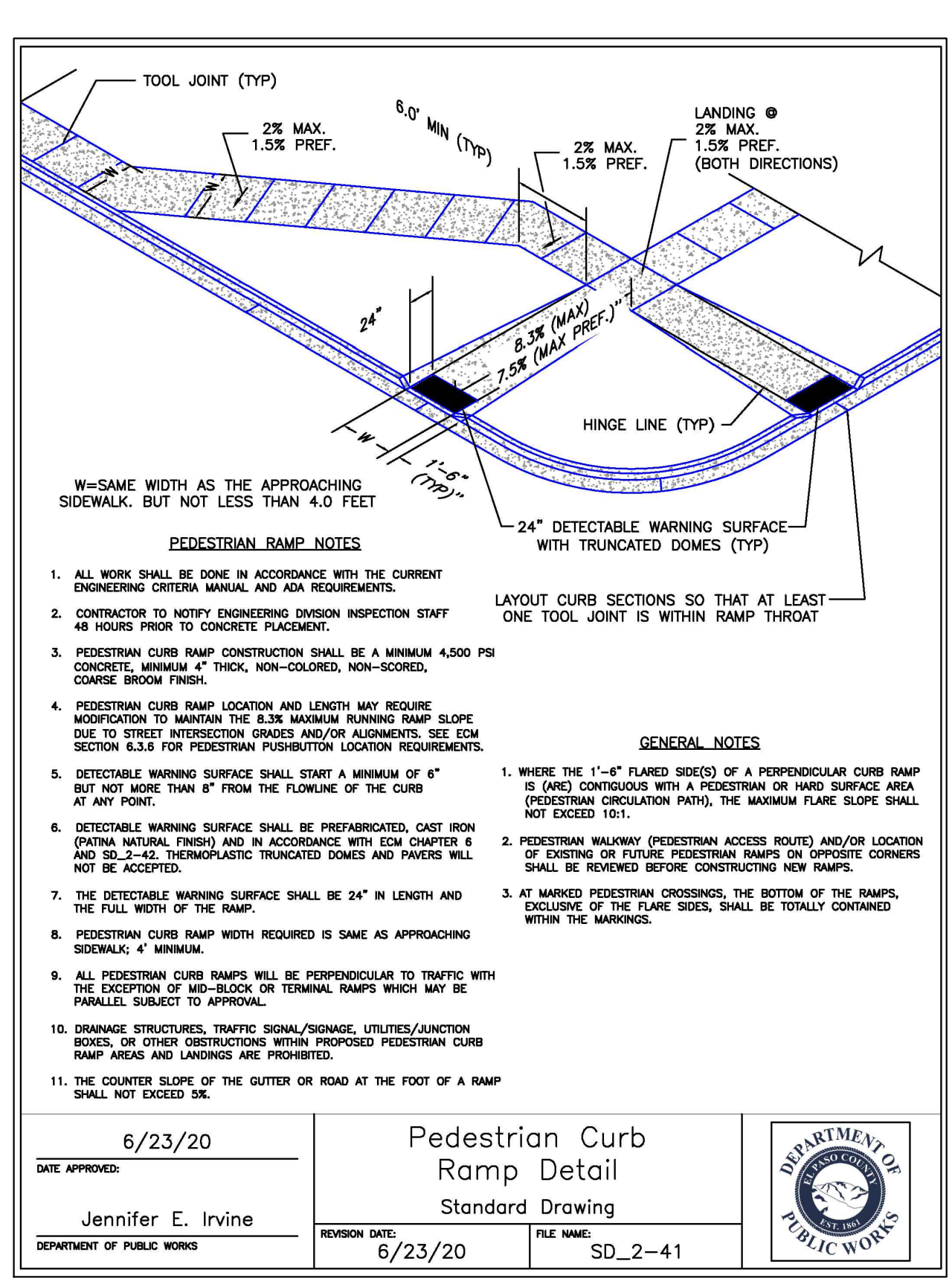
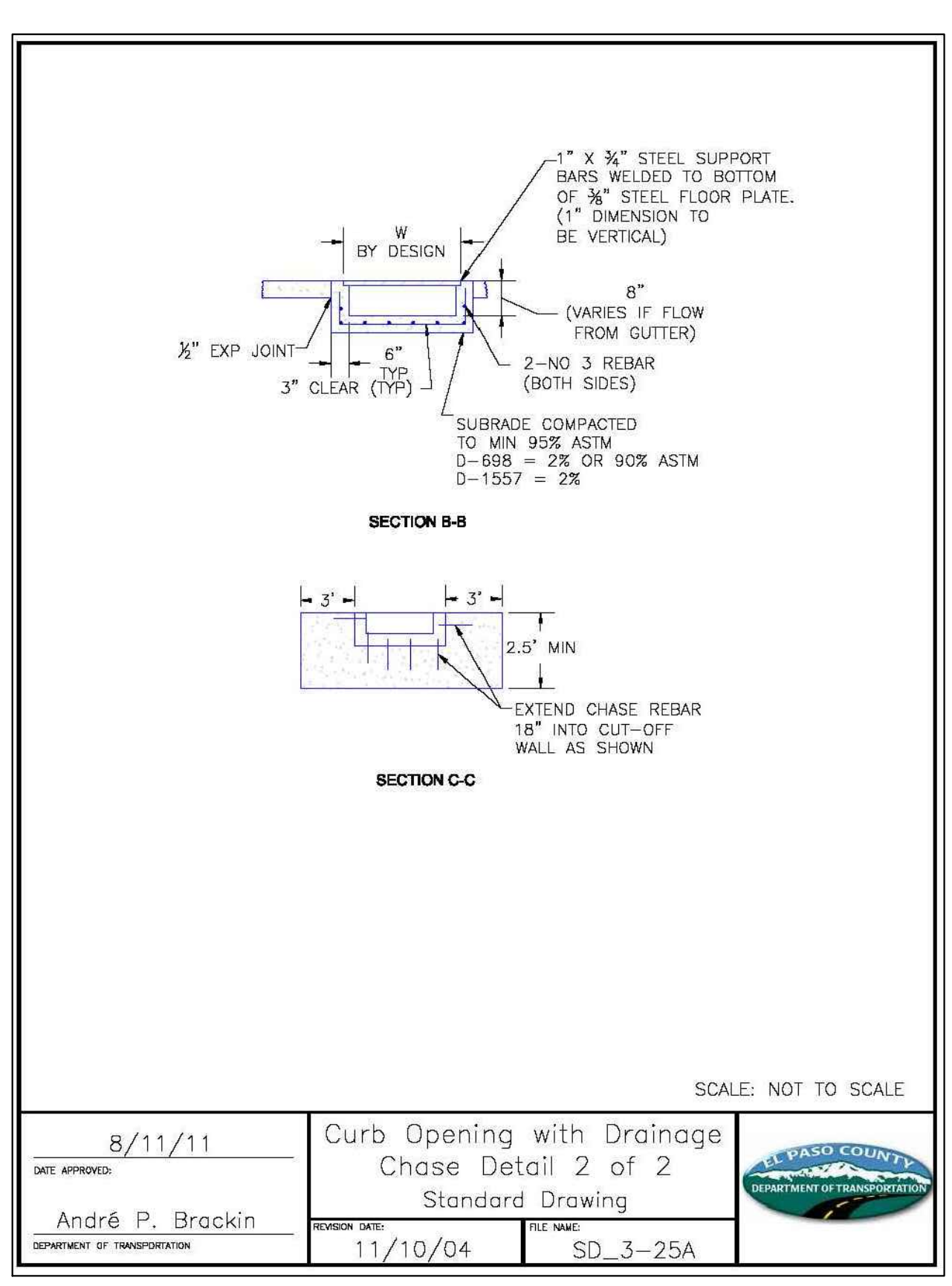
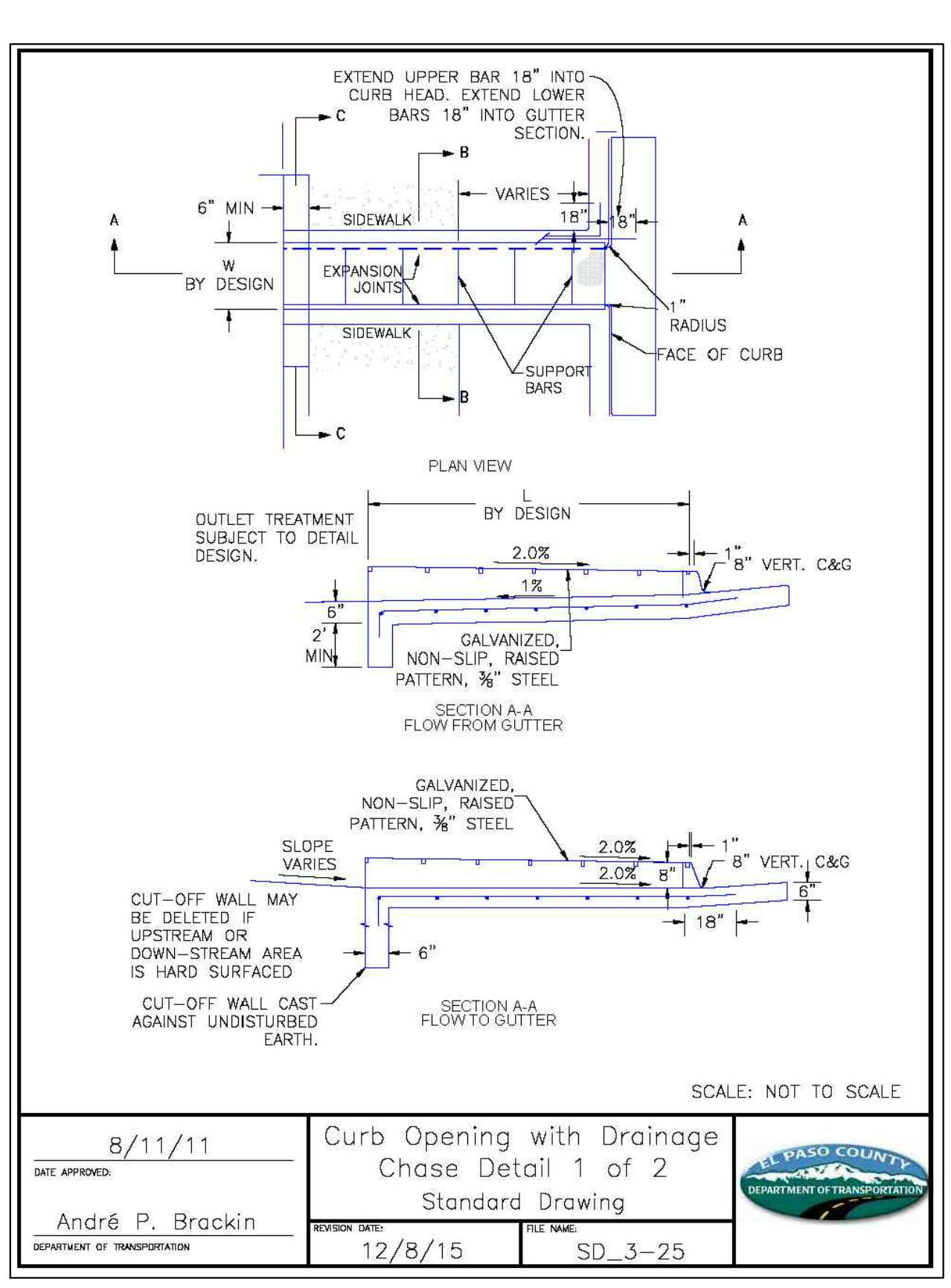
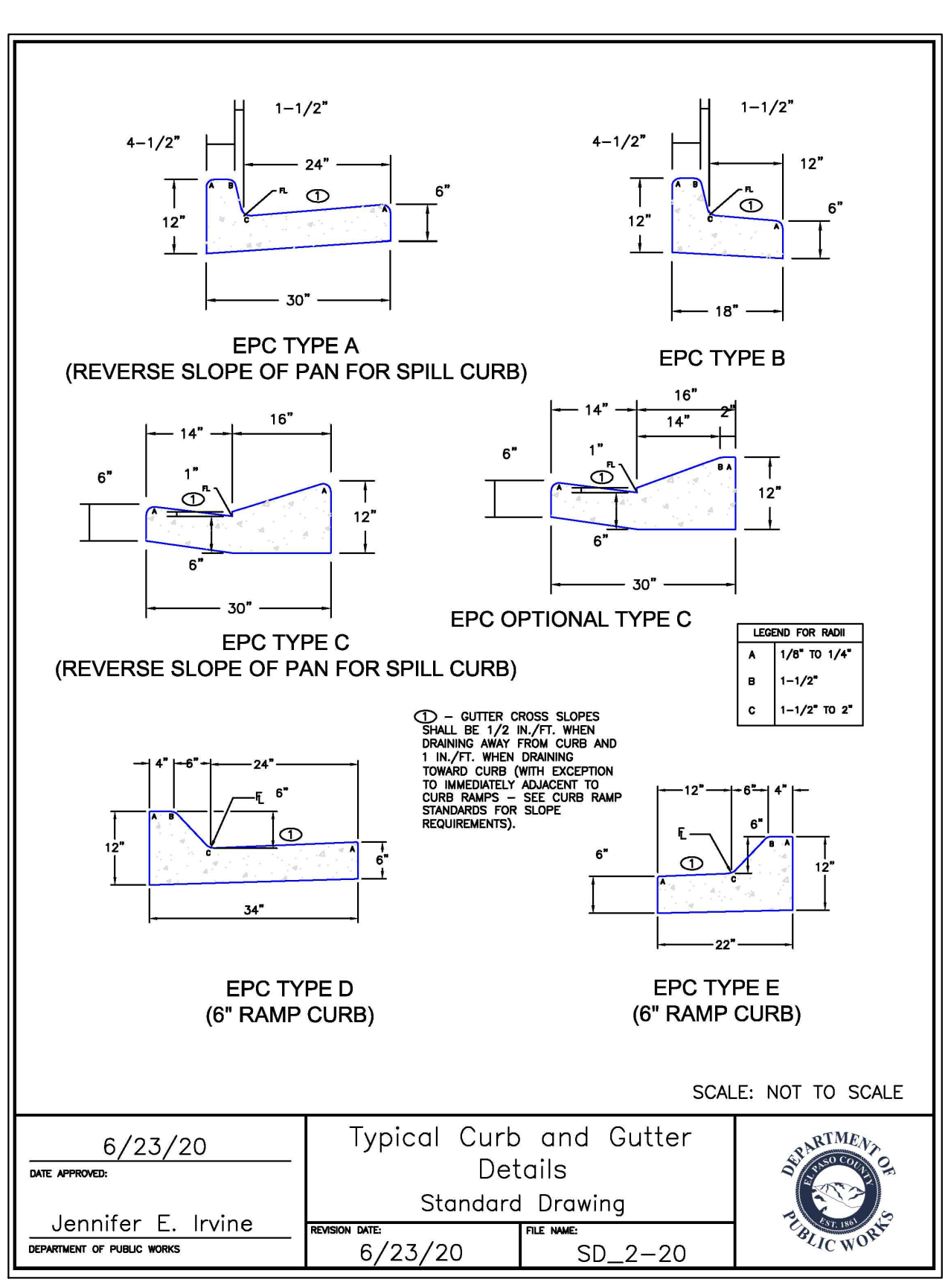
THE CITIZEN ON CONSTITUTION
 EL PASO COUNTY, COLORADO
 UTILITY AND WATER SERVICE PLANS
STORM PLAN AND PROFILE LINE I & J



PROJECT NO.
096481004

SHEET

C4.10



| NO. | REVISION | DATE | APPR. |
|-----|----------|------|-------|
| | | | |

Kimley»Horn
 2022 KIMLEY-HORN AND ASSOCIATES, INC.
 2 North Nevada Avenue, Suite 300
 Colorado Springs, CO 80903 (303) 228-2200

DESIGNED BY: MOH
 DRAWN BY: JWM
 CHECKED BY: MOH
 DATE: 10/26/2022

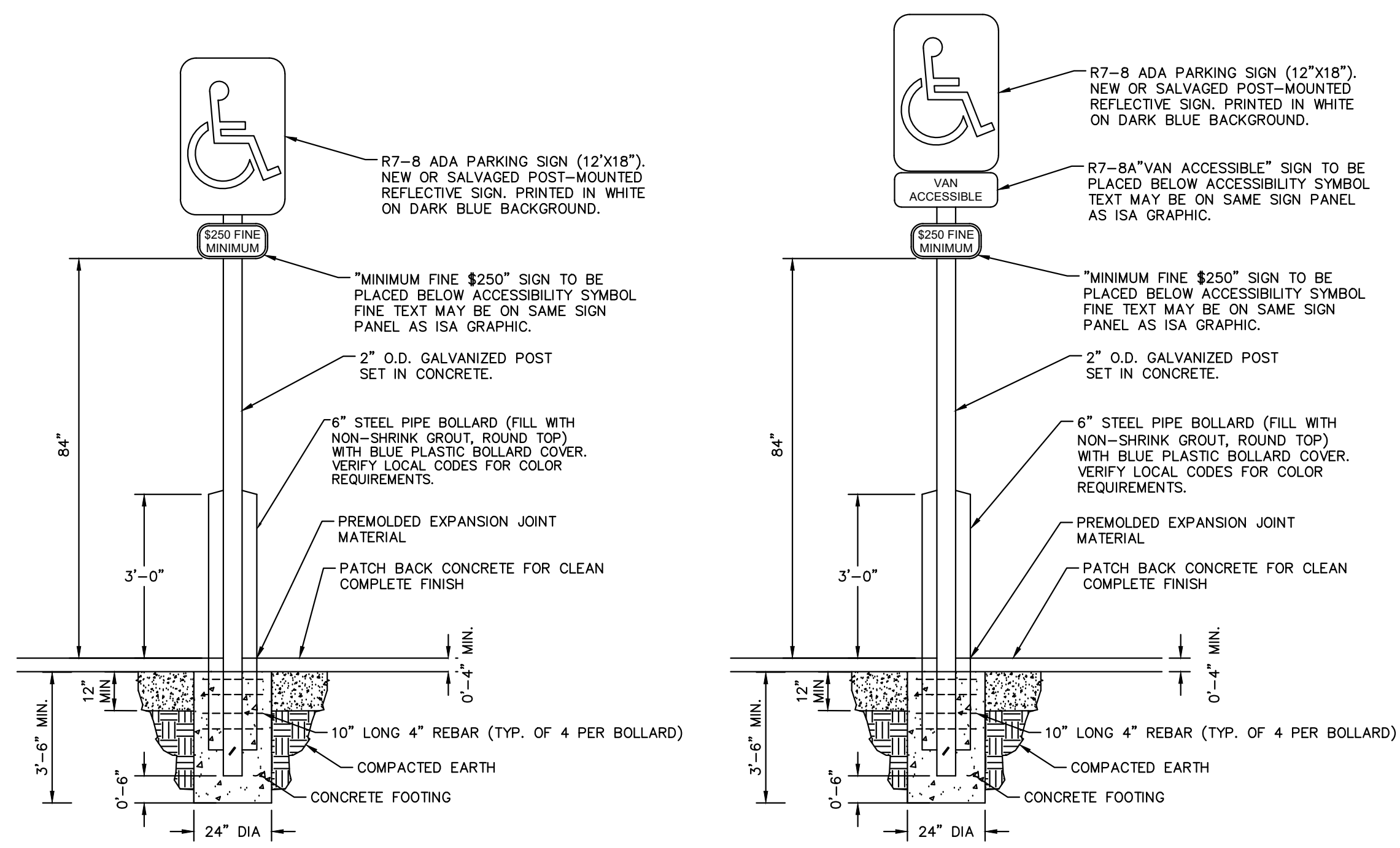
THE CITIZEN ON CONSTITUTION
 EL PASO COUNTY, COLORADO
 SITE DEVELOPMENT PLAN
 CONSTRUCTION DETAILS



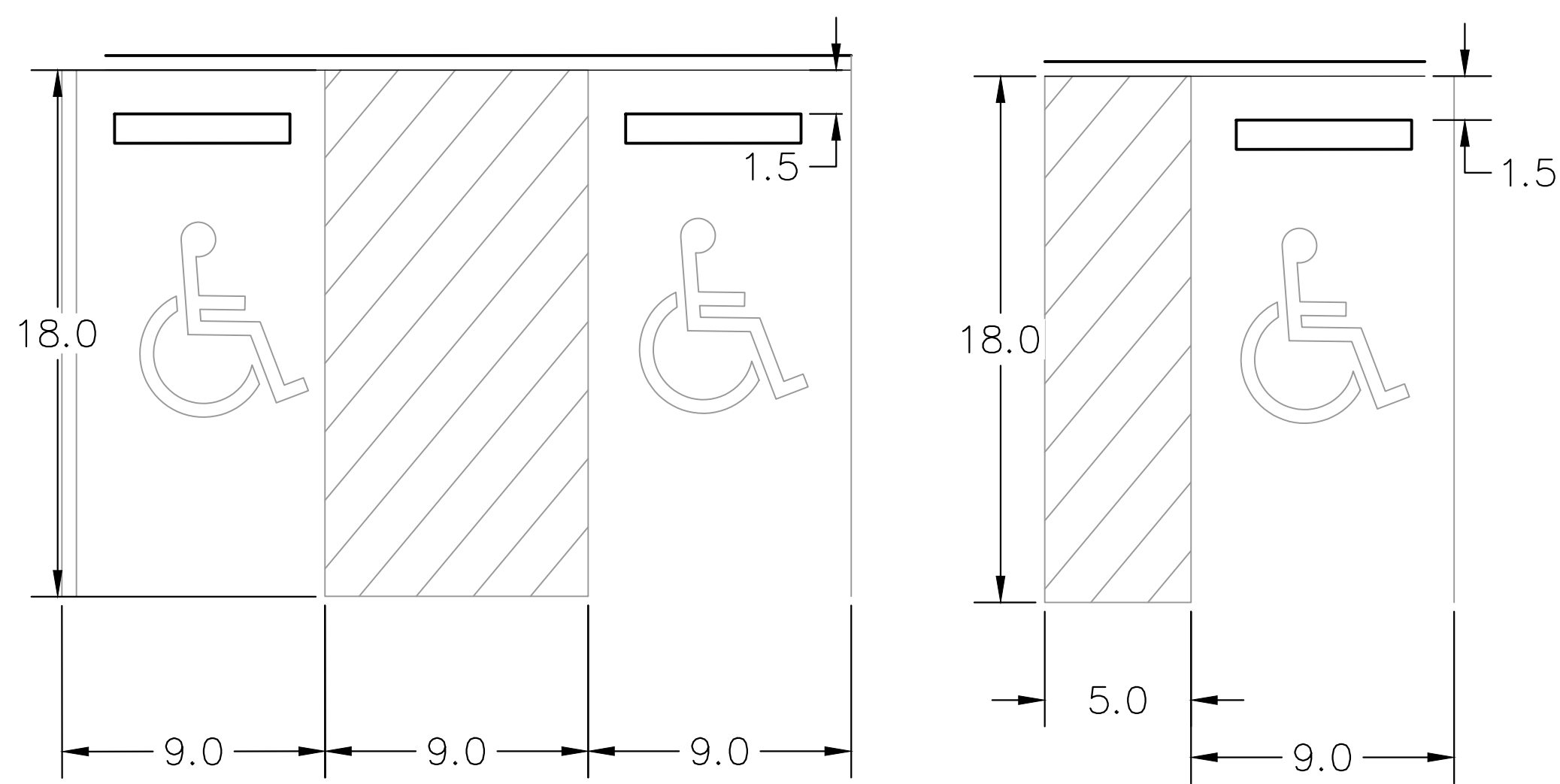
PROJECT NO.
 096481004
 SHEET
C5.0

K:\DEN_Civil\096481004 - El Paso Constitution\CADD\References\096481004D1-SDP.dwg Menke, Joseph 10/24/2022 6:59 PM

K:\DEN_Civil\096481004 - El Paso Constitution\CADD\References\096481004T-SDP.dwg Menke, Joseph 10/24/2022 6:59 PM



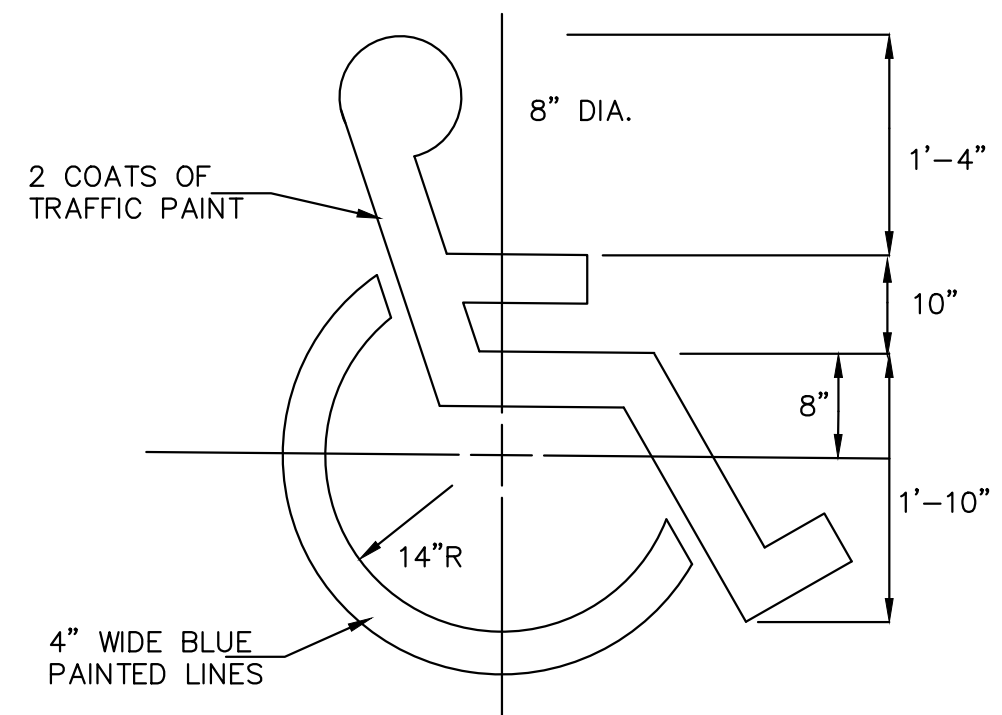
ADA PARKING SIGN DETAILS
SCALE: 1"=20"



ADA PARKING STALL DETAILS
NOT TO SCALE



AUTHORIZED ACCESS ONLY SIGN DETAIL
NOT TO SCALE

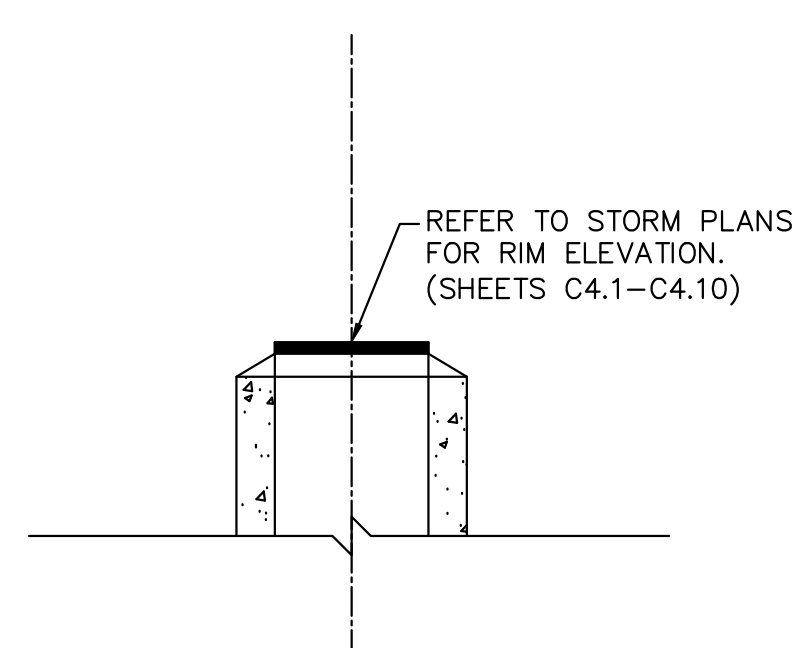


HANDICAP SYMBOL
NOT TO SCALE

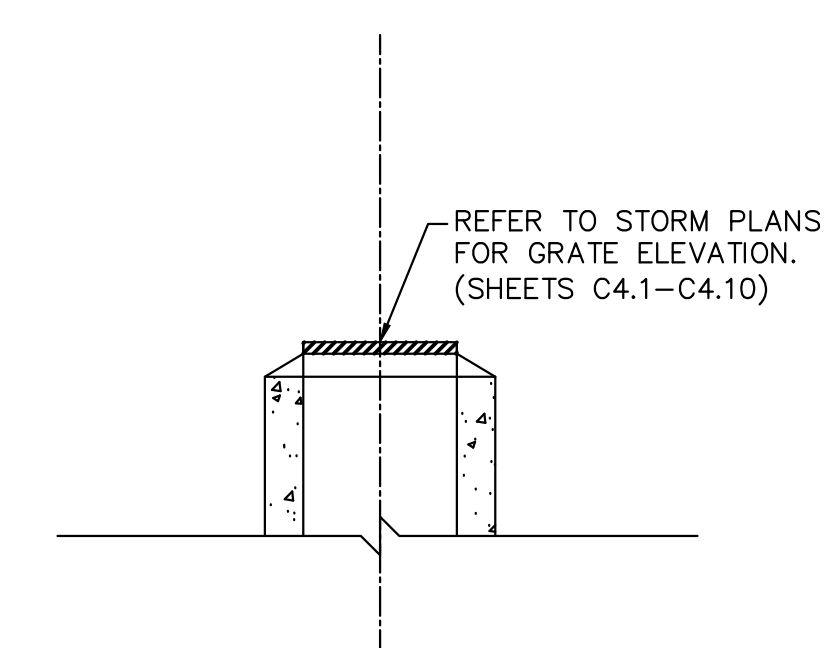


30"x30"
MINIMUM SIZE
BACKGROUND
4090 (3M-WHITE DIAMOND GRADE) OR EQUIVALENT
1172 C (3M-RED EC FILM) OR EQUIVALENT

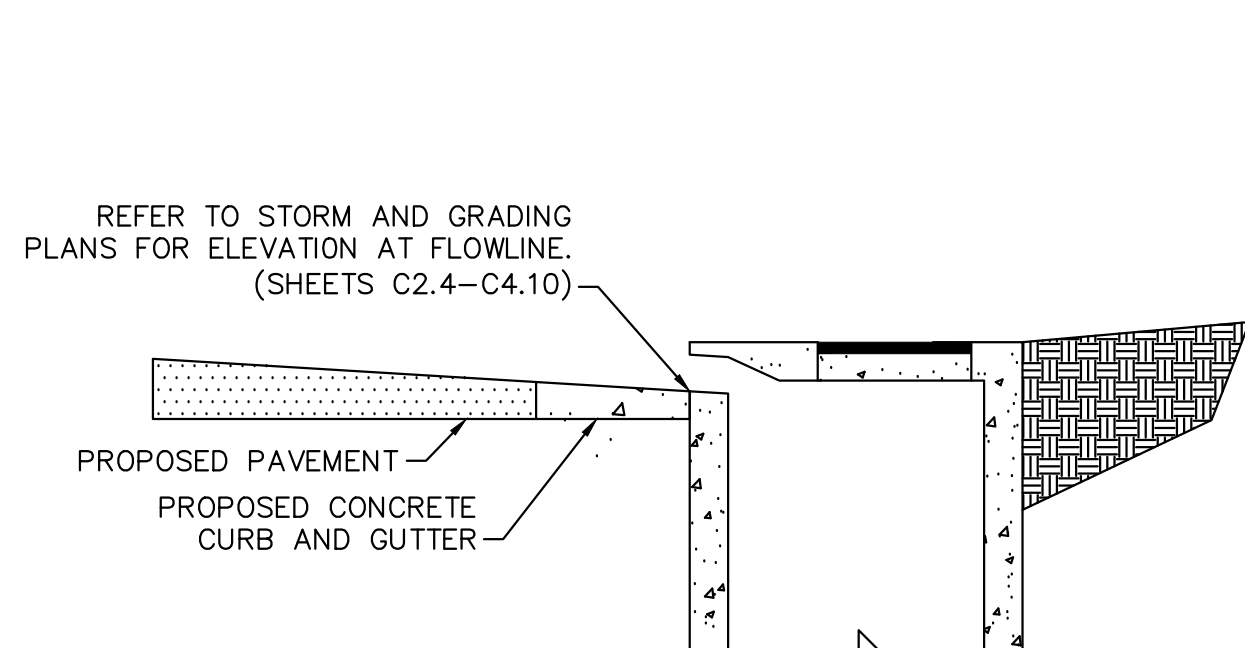
MUTCD R1-1 STOP SIGN DETAIL
NOT TO SCALE



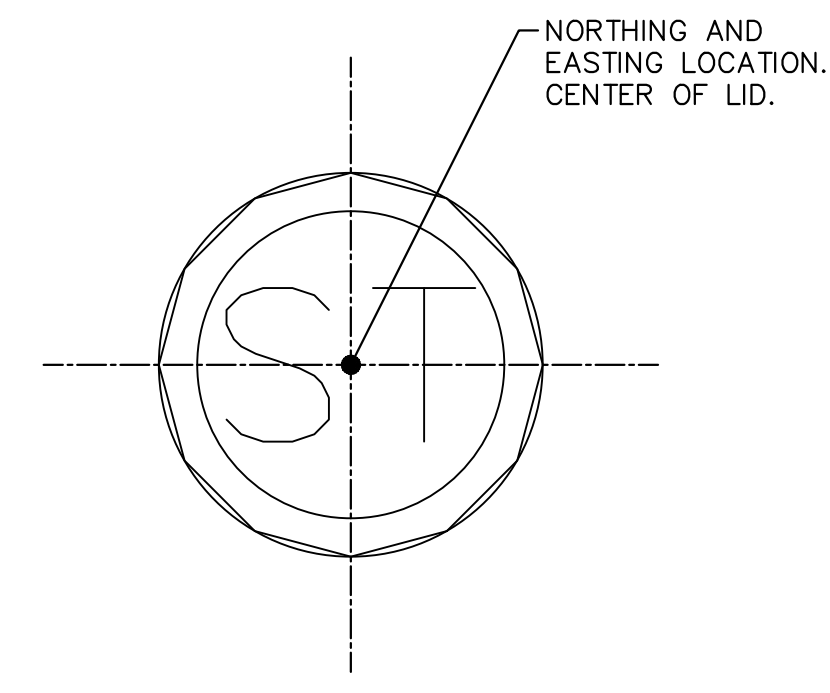
ELEVATION VIEW - MANHOLES INLETS
NOT TO SCALE



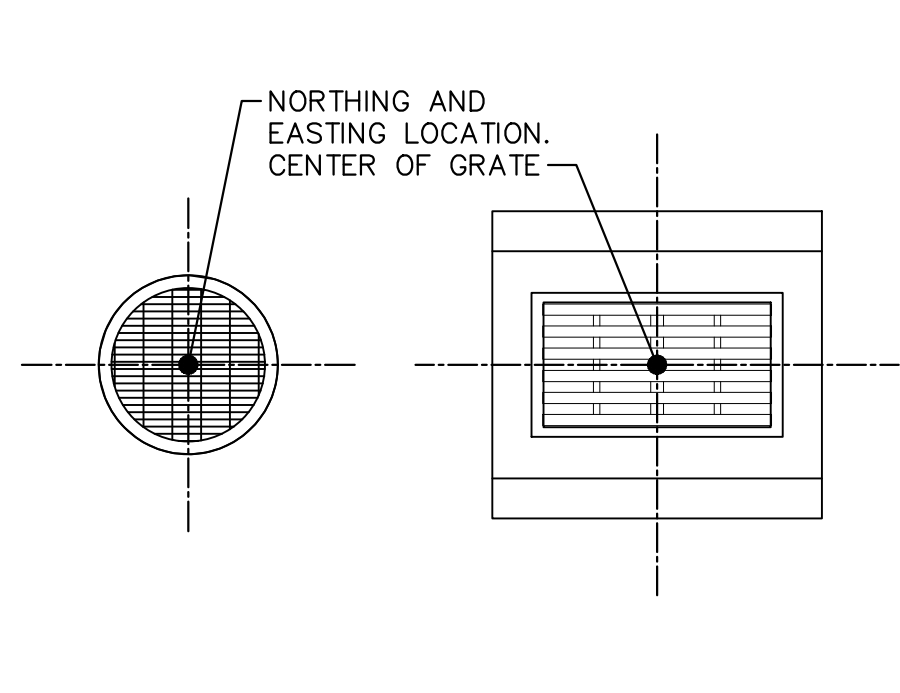
ELEVATION VIEW - AREA INLETS
NOT TO SCALE



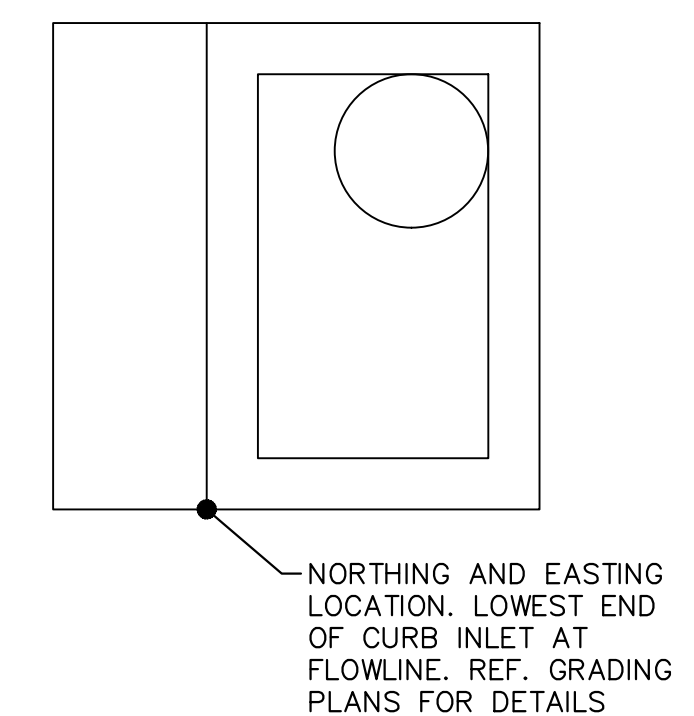
ELEVATION VIEW - CURB INLETS
NOT TO SCALE



PLAN VIEW - MANHOLES
NOT TO SCALE

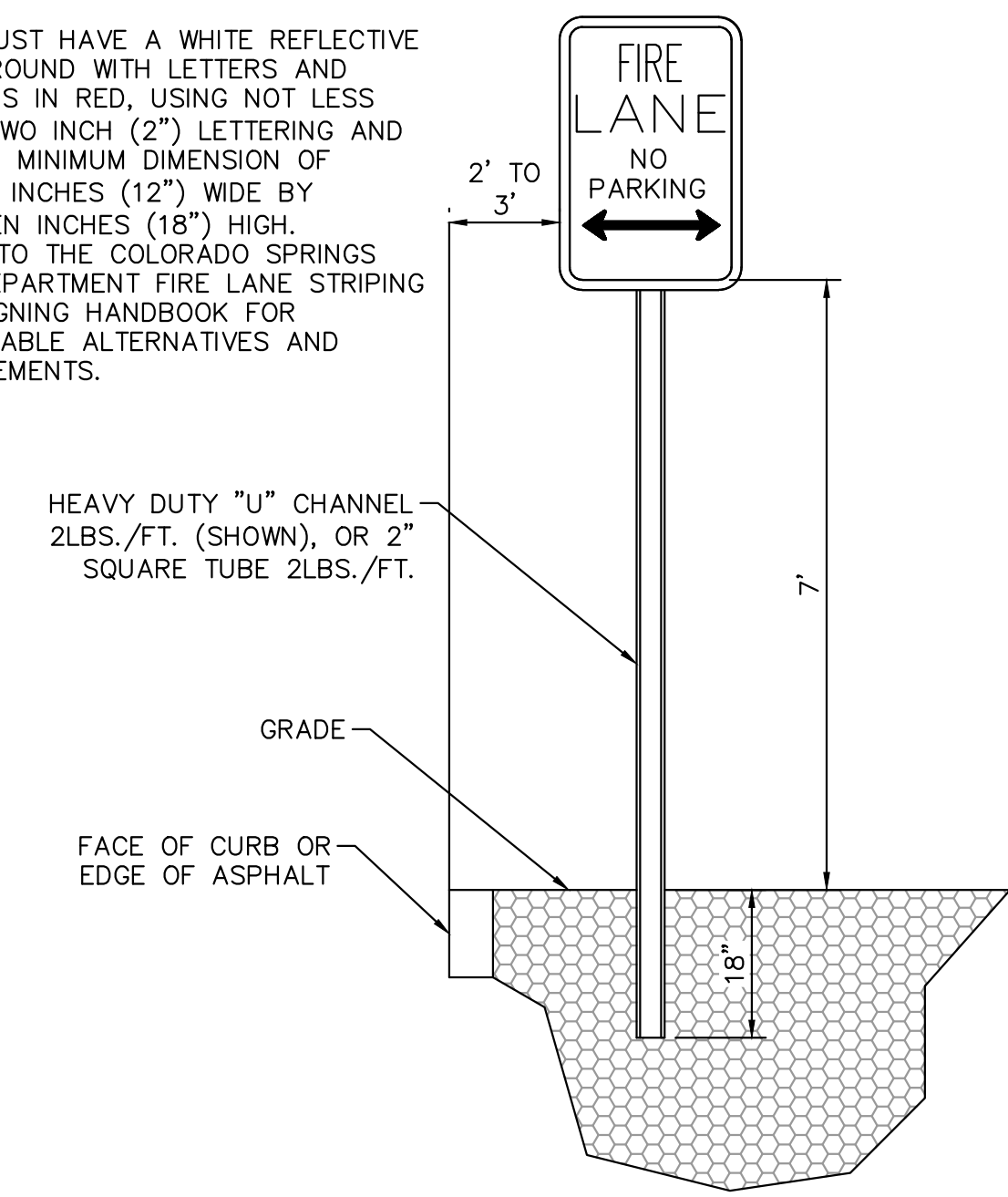


PLAN VIEW - AREA INLETS
NOT TO SCALE



PLAN VIEW - CURB INLETS
NOT TO SCALE

NOTE:
1. SIGN MUST HAVE A WHITE REFLECTIVE BACKGROUND WITH LETTERS AND BORDERS IN RED, USING NOT LESS THAN TWO INCH (2") LETTERING AND HAVE A MINIMUM DIMENSION OF TWELVE INCHES (12") WIDE BY EIGHTEEN INCHES (18") HIGH.
2. REFER TO THE COLORADO SPRINGS FIRE DEPARTMENT FIRE LANE STRIPING AND SIGNING HANDBOOK FOR ACCEPTABLE ALTERNATIVES AND REQUIREMENTS.



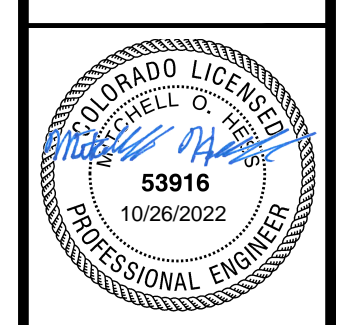
FIRE LANE SIGNAGE DETAIL
NOT TO SCALE

| NO. | REVISION | BY | DATE | APPR. |
|-----|----------|----|------|-------|
| | | | | |

Kimley»Horn
2022 KIMLEY-HORN AND ASSOCIATES, INC.
2 North Nevada Avenue, Suite 300
Colorado Springs, CO 80903 (303) 228-2300

DESIGNED BY: MOH
DRAWN BY: JWM
CHECKED BY: MOH
DATE: 10/26/2022

THE CITIZEN ON CONSTITUTION
EL PASO COUNTY, COLORADO
SITE DEVELOPMENT PLAN
CONSTRUCTION DETAILS



PROJECT NO.
096481004

SHEET
C5.1