



GENERAL NOTES

- A. PHOTOMETRIC CALCULATIONS DO NOT INCLUDE CONTRIBUTION FROM STREET LIGHTING OR LIGHTING FROM ADJACENT PROPERTY.
- B. ALL FIXTURES SHALL BE FULL CUT-OFF AND MOUNTED IN FULL CUT-OFF POSITION; ALL SITE POLES SHALL BE ROUND AND PAINTED IN A DARK, NON-REFLECTIVE COLOR.

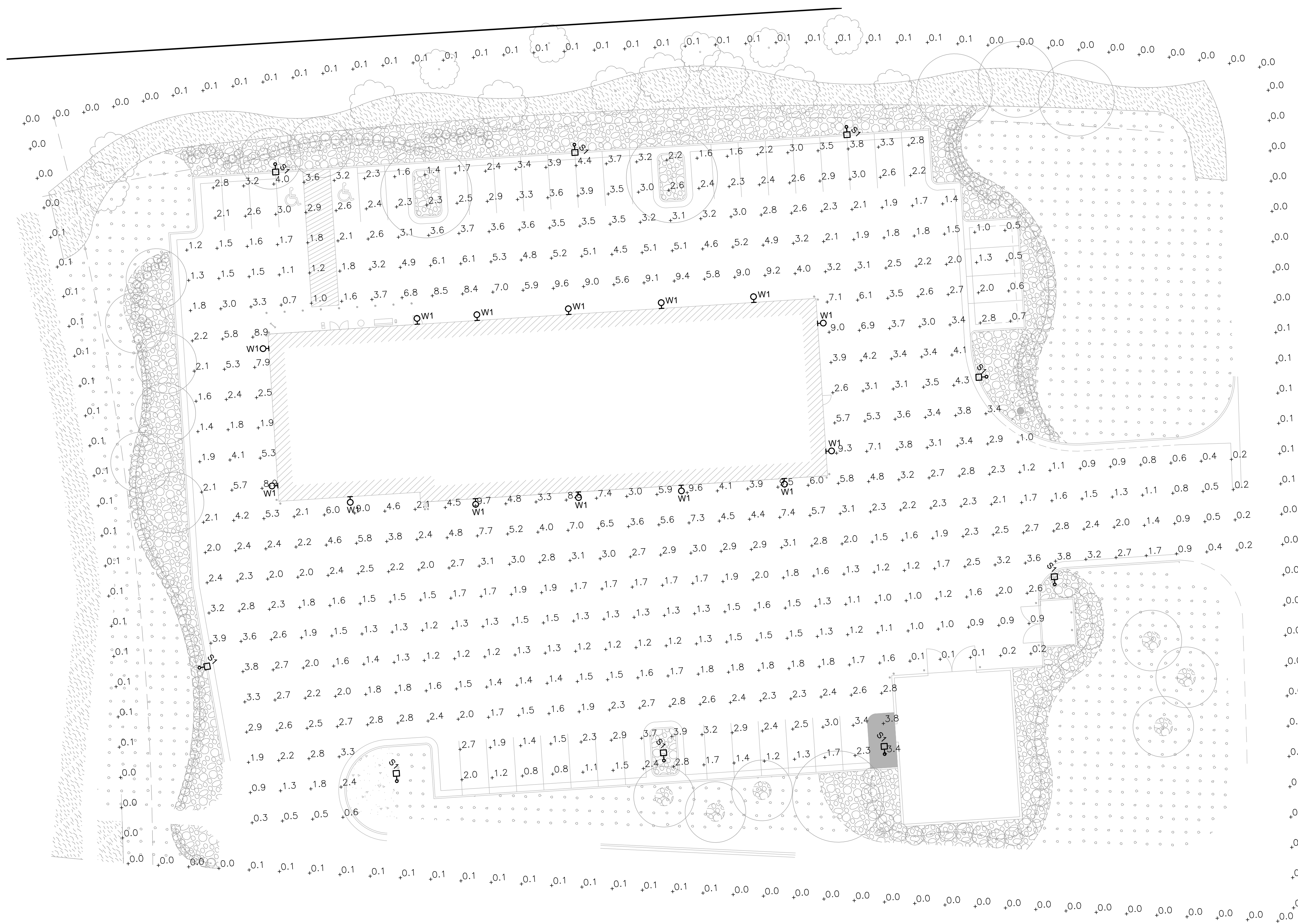
LEGEND

- □ POLE MOUNTED LIGHT
- WALL MOUNTED LIGHT

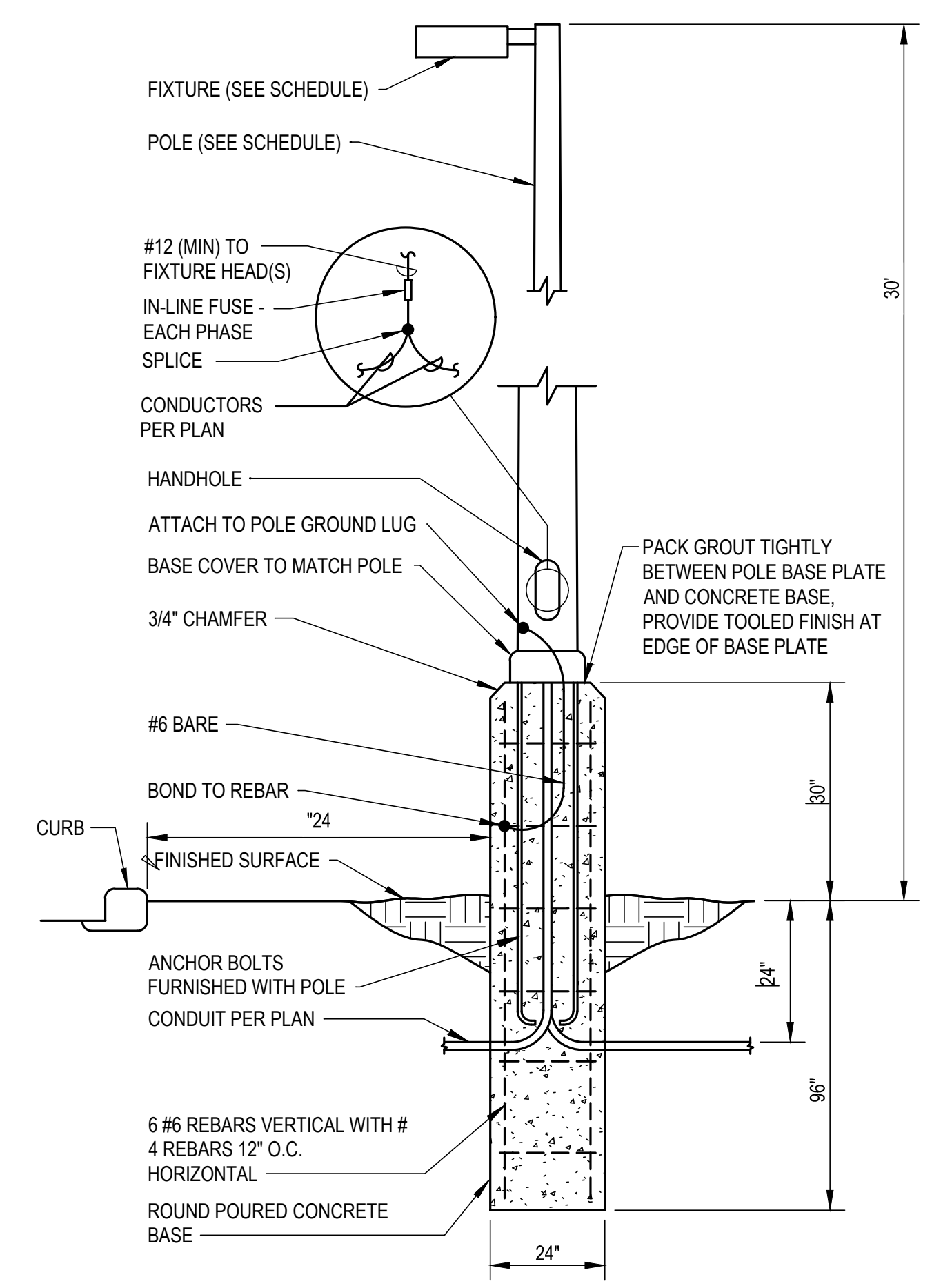
SITE LIGHTING SCHEDULE										
TYPE	DESCRIPTION	FIXTURE			MOUNTING		LAMP			
		MANUFACTURER	CATALOG NUMBER	NOTES	VOLTS	LUMENS		WATTS	TYPE	HEIGHT
S1	LED POLE MOUNTED FIXTURE, SINGLE HEAD, TYPE 4 DISTRIBUTION WITH SPILL CONTROL, MOTION SENSOR CONTROLLED DIMMING.	MCGRAW-EDISON	GLEON-SA2B-740-2-SL4-BZ-FF-MS/DIM-L40W	1, 2, 3	208	11,111	85	POLE	20'	LED, 4000K
S-POLE	ROUND TAPERED STEEL POLE, DARK BRONZE, 20' MOUNTING HEIGHT	MCGRAW-EDISON	RTS6A20S-F-N-1-X-G	1, 4						
W1	LED WALL MOUNTED FIXTURE, FULL CUT-OFF, DARK BRONZE FINISH AND MOTION SENSOR CONTROLLED DIMMING.	LUMARK	XTOR6B-W-BZ-MS/DIM-L20	1, 2	120-277	6,038	58	WALL	15'	LED, 4000K

NOTES: 1. COLOR SHALL BE DARK BRONZE. VERIFY FIXTURES AND POLES HAVE MATCHING FINISH.
2. FIXTURE SHALL BE CONTROLLED BY PROGRAMMABLE LIGHTING PANEL TO DISABLE OPERATION BETWEEN 11:00 PM AND 6:00 AM OR AS REQUIRED BY AHJ.
3. INSTALL FIXTURE HEAD WITH 0° TILT TO PROVIDE FULL-CUTOFF DISTRIBUTION (NO LIGHT OUTPUT EMITTED ABOVE 90 DEGREES AT ANY LATERAL ANGLE AROUND THE FIXTURE).
4. COORDINATE OVERALL POLE LENGTH WITH FACTORY TO PROVIDE 20' FIXTURE MOUNTING HEIGHT WITH 30" CONCRETE BASE. PROVIDE POLE MFR'S RECOMMENDED ANCHOR BOLTS.

PHOTOMETRIC STATISTICS - ILLUMINANCE IN FOOT-CANDLES					
DESCRIPTION	SYMBOL	AVG	MAX	MIN	AVG/MIN
PARKING LOT	+	2.8 fc	9.7 fc	0.1 fc	28.0:1
PROPERTY LINE	+	0.1 fc	0.1 fc	0.0 fc	N/A



1 SITE LIGHTING PLAN
E100
NORTH
SCALE: 1" = 20'



2 LIGHTING POLE BASE DETAIL
E100
NOT TO SCALE

NOT FOR CONSTRUCTION - PRELIMINARY DESIGN

7105 OLD MERIDIAN RD.
FALCON, CO

LES SCHWAB TIRE CENTER



© 2021 | ALL RIGHTS RESERVED

SITE DEVELOPMENT PLANS

04.16.2021
DRAWN BY | MTB
CHECKED BY |
REVISIONS

SITE LIGHTING PLAN

E100