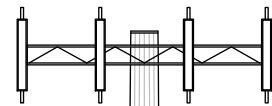


TOP OF EXISTING ANTENNAS (BY OTHERS)
ELEV: 100'-0" A.G.L.

TOP OF EXISTING MONOPOLE
ELEV: 99'-0" A.G.L.

C.L. OF EXISTING MW DISH (BY OTHERS)
ELEV: 90'-0" A.G.L.



EXISTING 99'-0" MONOPOLE TO BE EXTENDED BY 20'-0" (119'-0" A.G.L.)

TOP OF EXISTING ICE SHIELD (BY OTHERS)
ELEV: 30'-0" A.G.L.

C.L. OF EXISTING MW DISH (BY OTHERS)
ELEV: 26'-0" A.G.L.

C.L. OF EXISTING MONOPOLE PORT
ELEV: 7'-0" A.G.L.

EXISTING GRADE
ELEV: 0'-0" A.G.L.

1 EXISTING TOWER ELEVATION

SCALE: 1/16" = 1'-0"



NOTE:
CRANE HEIGHT: 140'-0" A.G.L.

TOP OF PROPOSED AT&T ANTENNAS
ELEV: 119'-0" A.G.L.

TOP OF PROPOSED MONOPOLE EXTENSION
ELEV: 119'-0" A.G.L.

TOP OF EXISTING ANTENNAS (BY OTHERS)
ELEV: 100'-0" A.G.L.

TOP OF EXISTING MONOPOLE
ELEV: 99'-0" A.G.L.

C.L. OF EXISTING MW DISH (BY OTHERS)
ELEV: 90'-0" A.G.L.

C.L. OF PROPOSED AT&T MW DISH
ELEV: 65'-0" A.G.L.

TOP OF EXISTING ICE SHIELD (BY OTHERS)
ELEV: 30'-0" A.G.L.

C.L. OF EXISTING MW DISH (BY OTHERS)
ELEV: 26'-0" A.G.L.

C.L. OF EXISTING MONOPOLE PORT
ELEV: 7'-0" A.G.L.

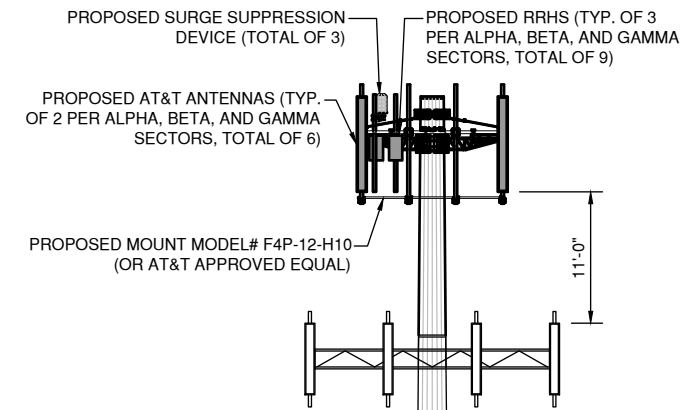
EXISTING GRADE
ELEV: 0'-0" A.G.L.

2 PROPOSED TOWER ELEVATION

SCALE: 1/16" = 1'-0"



NOTE:
IT IS THE RESPONSIBILITY OF THE CONTRACTOR TO VERIFY, PRIOR TO THE ONSET OF CONSTRUCTION, THAT THE SUPPORTING STRUCTURE(S) AND MOUNTING SYSTEM(S) HAVE BEEN DEEMED STRUCTURALLY ADEQUATE BY A LICENSED PROFESSIONAL ENGINEER TO SUPPORT THE EXISTING AND PROPOSED EQUIPMENT AND ASSOCIATED CONSTRUCTION LOADS, INCLUDING BUT NOT LIMITED TO THOSE DEPICTED, HEREIN. THE CONTRACTOR SHALL ASSUME THE FULL-LIABILITY AND RISK ASSOCIATED WITH THE INSTALLATION OF THE PROPOSED EQUIPMENT AND/OR APPURTENANCES IF PERFORMED WITHOUT SAID PASSING STRUCTURAL ANALYSIS OR EVALUATION. IF THE RESULT OF THE ANALYSIS REQUIRES THE STRUCTURE BE STRENGTHENED OR MODIFIED; SUCH MODIFICATIONS SHALL BE PROPERLY INSTALLED AND COMPLETED PRIOR TO THE ONSET OF CONSTRUCTION.



INSTALL (1) NEW ICE SHIELD MODEL# ISMD6 ABOVE PROPOSED AT&T MICROWAVE DISH, ONTO (1) NEW MONOPOLE MOUNT MODEL# RM-DM-6. SEE DETAILS ON SHEET C-11, C-13 & C-14

INSTALL (1) NEW AT&T 6'-0" COMMSCOPE MICROWAVE DISH MODEL# USX6-6W-6GR @65'-0" ON (1) NEW MONOPOLE MOUNT MODEL# RM-DM-6

EXISTING 99'-0" MONOPOLE EXTENDED BY 20'-0" (119'-0" A.G.L.)

PROPOSED (6) 3/4" DC POWER (3) 3/8" FIBER (4) 2 1/4" INNER DUCT CABLES

PROPOSED ICE BRIDGE

PROPOSED 5'-8" X 4'-2" WUC MODEL# ESOF020-HCV02. SEE WUC DETAILS ON SHEET C-7

9'-0" MIN

PREPARED BY:

nexus

NEXIUS SOLUTIONS, INC.
2595 NORTH DALLAS PARKWAY
SUITE 300
FRISCO, TX 75034

CLIENT:



161 INVERNESS DR W, 2ND FLOOR
ENGLEWOOD, COLORADO 80112

FOR CONSTRUCTION



DATE SIGNED: 10/15/20
PE LICENSE RENEWAL: 10/31/21

THIS DOCUMENT IS THE DESIGN PROPERTY AND COPYRIGHT OF NEXIUS AND FOR THE EXCLUSIVE USE BY THE TITLE CLIENT. DUPLICATION OR USE WITHOUT THE EXPRESS WRITTEN CONSENT OF THE CREATOR IS STRICTLY PROHIBITED.

| SUBMITTALS | | | |
|------------|----------|-------------|----|
| REV | DATE | DESCRIPTION | BY |
| C | 03/20/20 | FOR REVIEW | RA |
| D | 04/16/20 | FOR REVIEW | RA |
| 0 | 04/22/20 | FINAL CD | RA |
| 1 | 08/24/20 | REVISED CD | RA |
| 2 | 10/15/20 | REVISED CD | RA |

SITE INFORMATION:
SITE NAME: NSB-CO.BDN_ADD_4591_COL02148_Peyton
SITE NUMBER: COL02148
FA LOCATION CODE: 12871723
PACE ID: MRUTH029076
ADDRESS: 12960 N PEYTON HWY
PEYTON, CO 80831

PROJECTS:
LTE 1C 2C 3C 4C 5C 6C

| | |
|-------------------|-------------------|
| DRAWN BY: RA | DATE: 01/02/20 |
| CHECKED BY: RA | DATE: 10/15/20 |

SHEET TITLE:
TOWER ELEVATION

SHEET NUMBER:

C-4