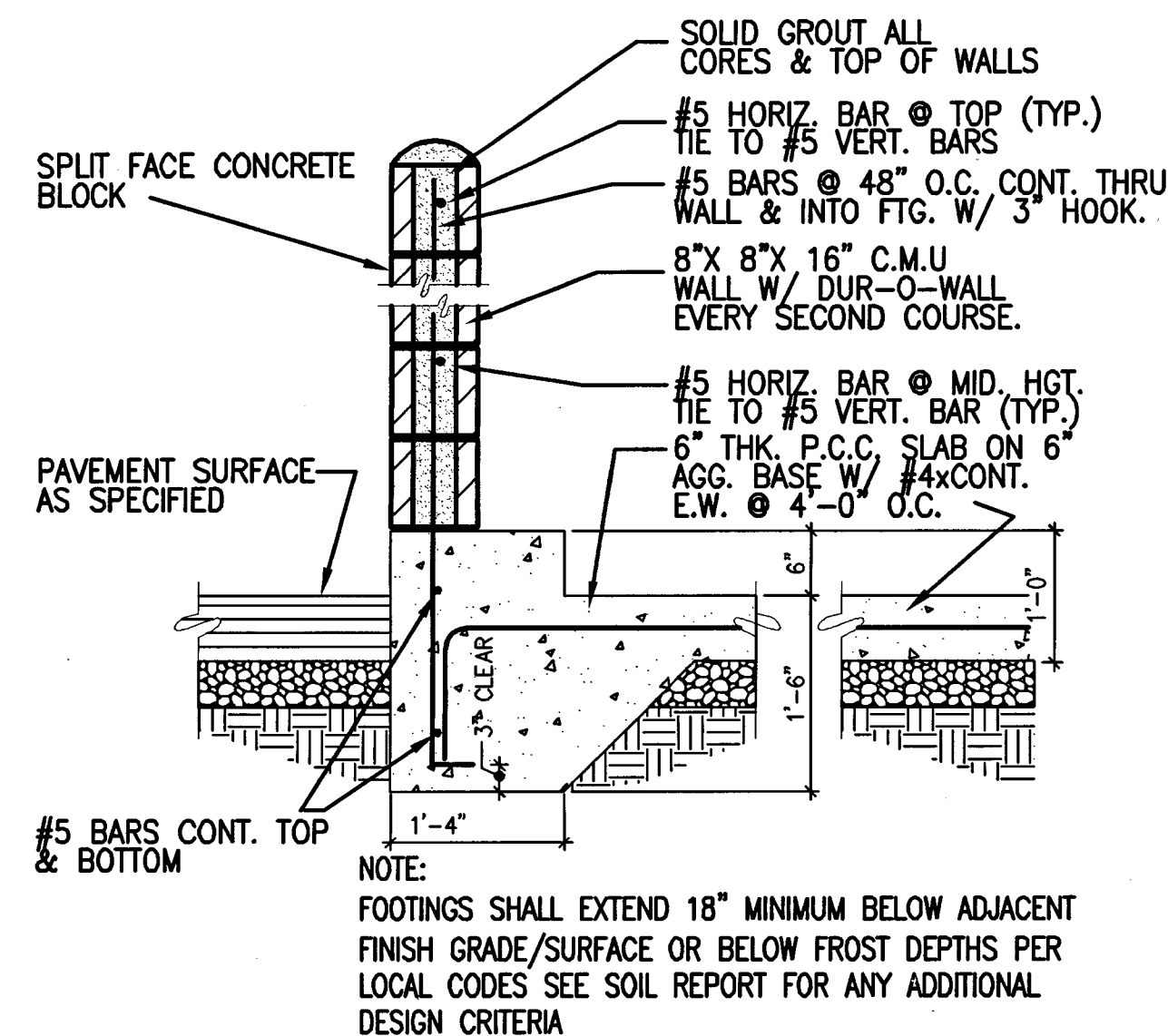


SITE SIGNAGE DATA

SIGN LOCATION	SIGN SIZE	SIGN SQUARE FOOTAGE	MAXIMUM ALLOWABLE SIGN SQUARE FOOTAGE
NORTH MOUNMENT SIGN	8' WIDE X 5' HIGH	40 SF MAX.	
WEST MOUNMENT SIGN	8' WIDE X 5' HIGH	40 SF MAX.	
NORTHWEST BUILDING SIGN	15' WIDE X 6' HIGH	90 SF MAX.	800 SF (400 LF X 2 SF)
SOUTHWEST BUILDING SIGN	15' WIDE X 6' HIGH	90 SF MAX.	800 SF (400 LF X 2 SF)

NOTES

- All landscape areas including turf areas, shrub and groundcover beds, and trees shall be irrigated by means of an underground automatic sprinkler system. Turf areas shall be zoned separately from shrub and groundcover bed areas. All turf areas to be spray irrigated. All shrub beds to be drip irrigated.
- No landscaping or other obstructions higher than 18" are allowed in the sight triangles shown hereon.
- The developer shall obtain driveway access permits from El Paso County Development Services Department prior to obtaining a building permit.



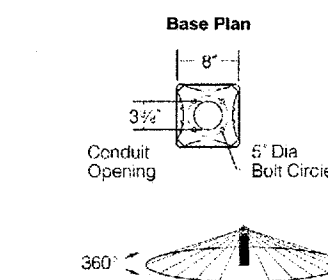
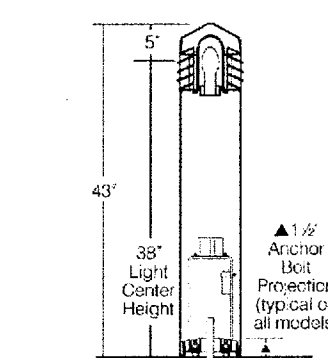
DUMPSTER SCREEN WALL SECTION

$\frac{3}{4}'' = 1'-0''$

LIGHTING DETAILS

KIM LIGHTING Specifications

Single Function Luminaire
Aluminum Shaft



BOLLARD DETAIL

NOT TO SCALE

VSB1 Square Bollard Single Function, Vandal-Resistant, Aluminum Shaft

revision 9/1/99 • vsb1.pdf

Top Cap: One piece aluminum die-casting 1/2" minimum thickness, set into luminaire by concealed stainless steel allen screws in keyhole slot. For recharging access, allen screws do not require complete removal.

Louvers: One piece aluminum die-casting with vertical support ribs at 90° intervals. Horizontal louver blades have a 1 1/2" depth, and are angled 27° from horizontal. Louver provides light source cutoff above horizontal. Louver castings are secured to shaft by four internal tie rods.

Lamp Enclosure: One piece tempered molded glass with internal flutes and full silicone gasketing at bottom edge.

Socket: Porcelain medium base rated 40V for HID and incandescent. Fluorescents is optional.

Fixture Head: Allows flow through ventilation around and above the lamp enclosure.

Shaft: One piece extruded aluminum, 1/2" minimum wall thickness with a heavy cast aluminum anchor base riveted within the shaft. Hex socket stainless steel screws lock shaft onto the cast anchor base.

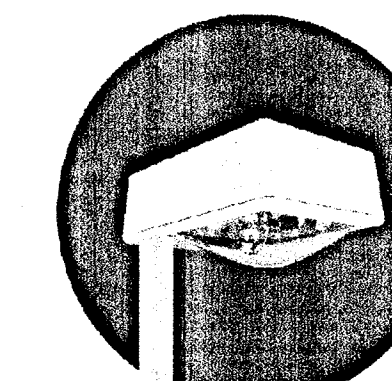
Ballast: High power factor rated for -30°F, starting, factory mounted to the anchor base and prewired. Wiring is supplied from the socket for field connection to the provided ballast components.

Anchor Bolts: Four 1/2" x 10" x 2" zinc plated L-hooks, each with two nuts, washers and a rigid precast basal template.

Finish: Super TCE thermoplastic powder coat paint, 2.5 mil nominal thickness, applied over a chromate conversion coating. 2500 hour salt spray test endurance rating for Top Cap; 3000 hour salt spray test endurance rating for Shaft. Standard colors are Black, Dark Bronze, Light Gray, Platinum Silver, or White. Custom colors are available and subject to additional charges, minimum quantities and longer lead times. Consult representative.

Certifications: UL Listed by U.S. and Canadian safety standards for wet locations. Fixture manufacturer shall employ a quality program that is audited to ISO9001 standards.

CAMBRIDGE II



Features

- Die-cast aluminum housing with radius corners and nominal .125" wall thickness.
- Die-cast aluminum door with clear, flat or convex, tempered glass lens, fully gasketed to housing. Hinged door secured with two captive screws.
- Specular, anodized aluminum reflectors for horizontal or vertical lamp, provide Type III, IV or V square light patterns. Segmented Type III reflectors. CE2 horizontal Type IV reflector field rotatable.
- Extruded aluminum arm available. Cast aluminum wall bracket.
- Mogul porcelain socket, pulse rated, with spring loaded, nickel plated center contact and reinforced lamp grip screw shell.
- CWA type, HPF ballast, starting rated at -20°F (-40°F for HPFS).

Dimensions

	A	B	C	EPA	Weight
CE2-Flat	21 3/8"	29 7/16"	10 1/4"	2.5 ft²	77 lbs.
	543 mm	748 mm	260 mm	0.2 m²	34.9 kg
CE2-Convex	21 3/8"	29 7/16"	15"	2.6 ft²	79 lbs.
	543 mm	748 mm	381 mm	0.3 m²	35.8 kg

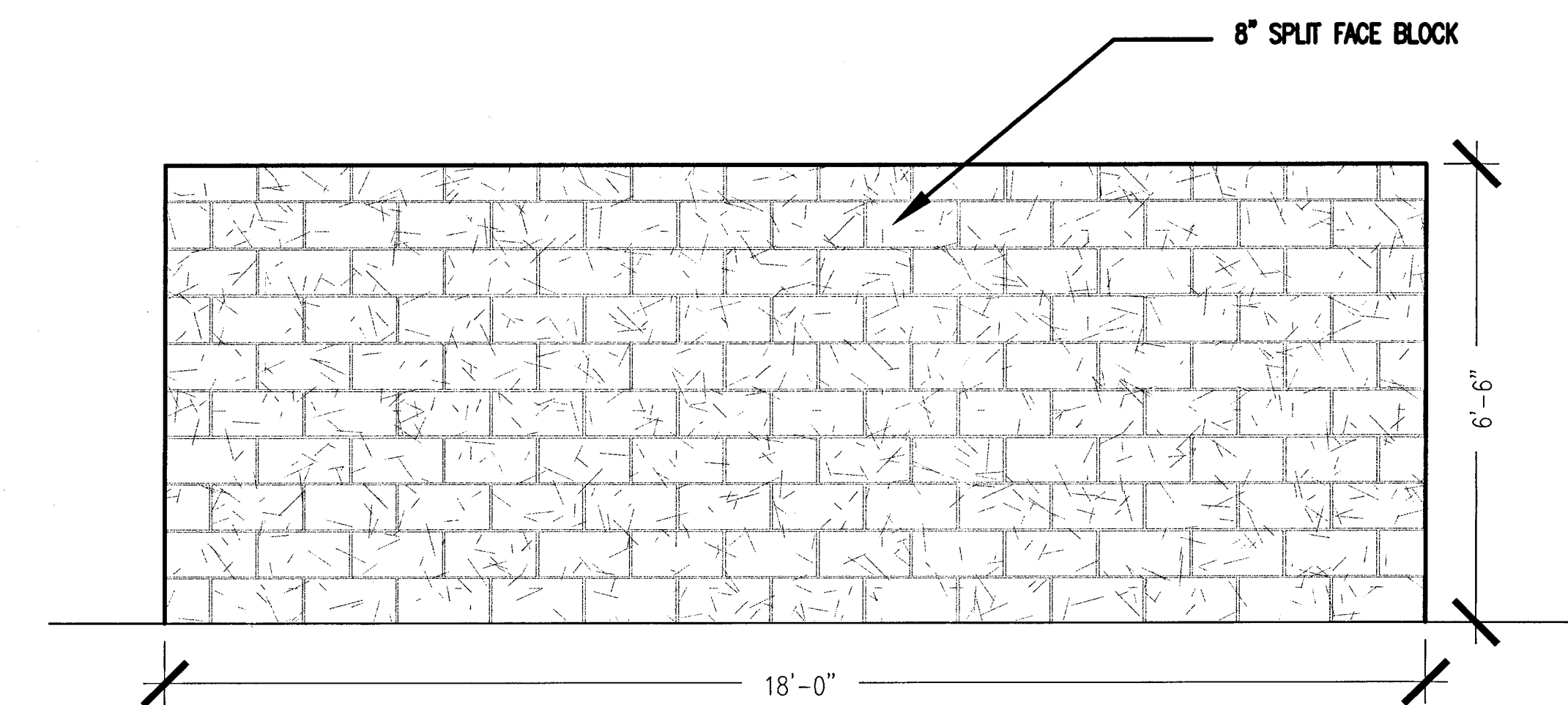
Note: Weights and EPA for fixture only.

Lamp Type/Wattage	
Metal Halide	
H40	400W (ED-37)
H1K	1000W (BT-56)
Super Metal Halide	
M540	400W (ED-37)
M51K	1000W (BT-56)
Pulse Start Metal Halide	
P40	400W (ED-37)
P45	450W (ED-37)
P75	750W (BT-37)
P1K	1000W (BT-37)
High Pressure Sodium	
S40	400W (ED-18)
S75	750W (BT-37)
S1K	1000W (E-25)

SPAULDING LIGHTING

POLE MOUNTED FIXTURE DETAIL

NOT TO SCALE



DUMPSTER SCREEN WALL SECTION

$\frac{1}{2}'' = 1'-0''$

ISSUE	DATE	DESCRIPTION
	07.07.05	PLOT PLAN
	08.23.05	EL PASO CO. COMMENTS
	09.06.05	EL PASO CO. COMMENTS
		OWNER REVISION
	04.28.06	100% CD'S

NOTES

PROJECT TITLE

SAIC From Science to Solutions

SCIENCE APPLICATIONS
INTERNATIONAL CORPORATION

OFFICE BUILDING
COLORADO SPRINGS, CO

A PROJECT FOR
THE COWPERWOOD COMPANY

PROJECT NO. 04341.00

DRAWN BY MW

CHECKED RF

SCALE

DHM DESIGN 1390 Lawrence St.
Suite 100
Denver, CO 80204
303.892.5566
www.dhmdesign.com

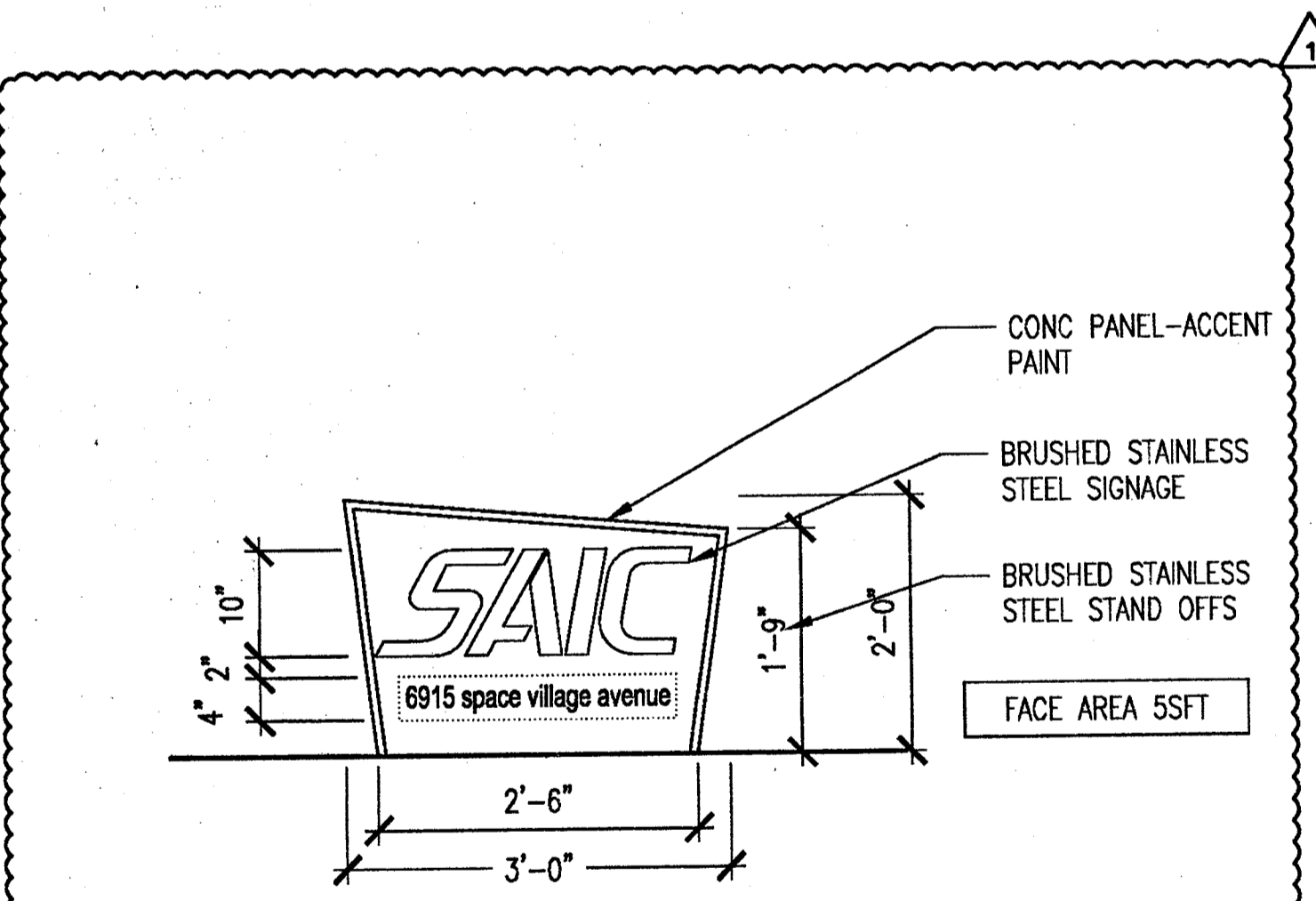
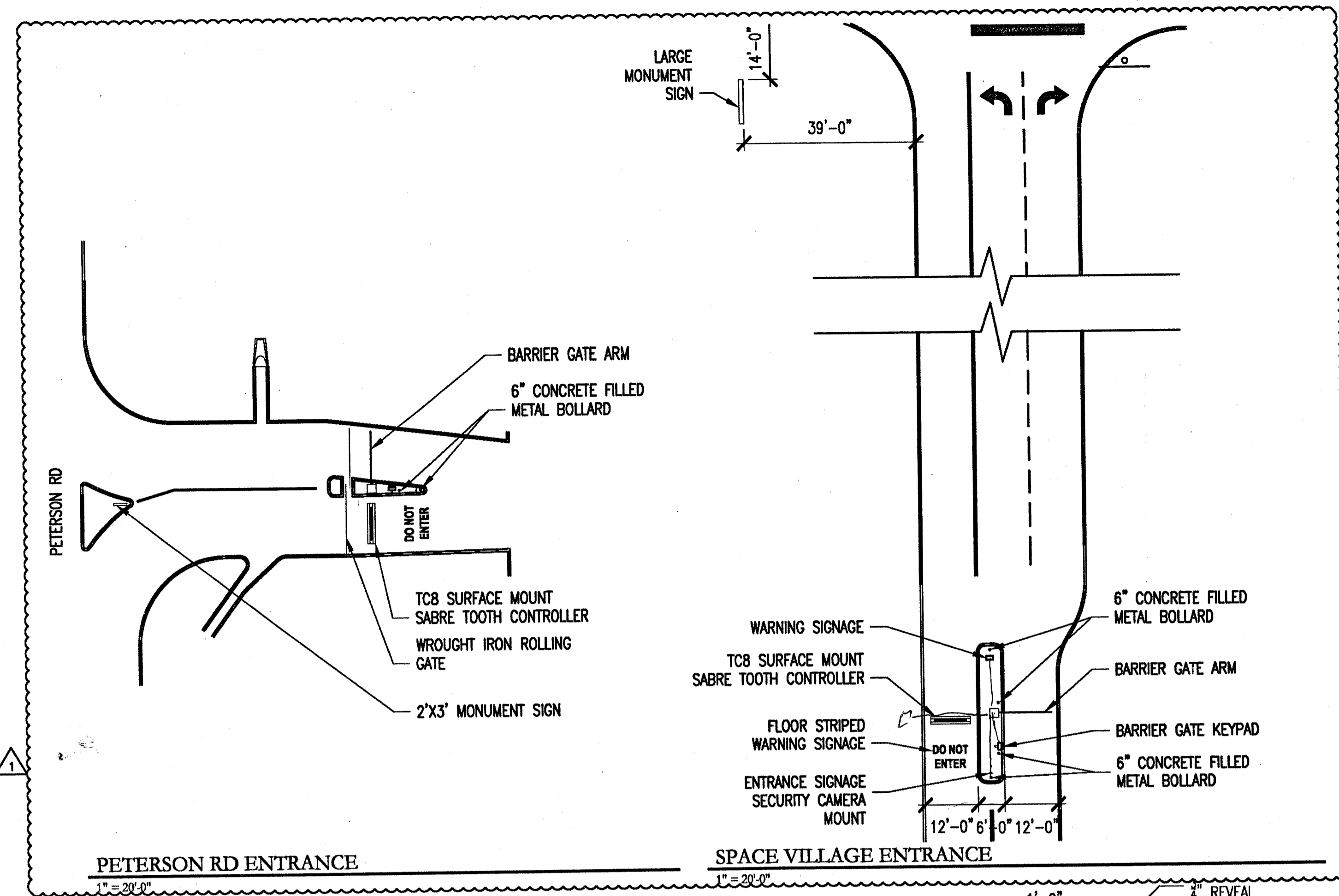
powers brown. architect 1314 Texas Ave.
Suite 401
Houston, TX 77002
713.224.0456
713.224.0457 fax

DRAWING TITLE

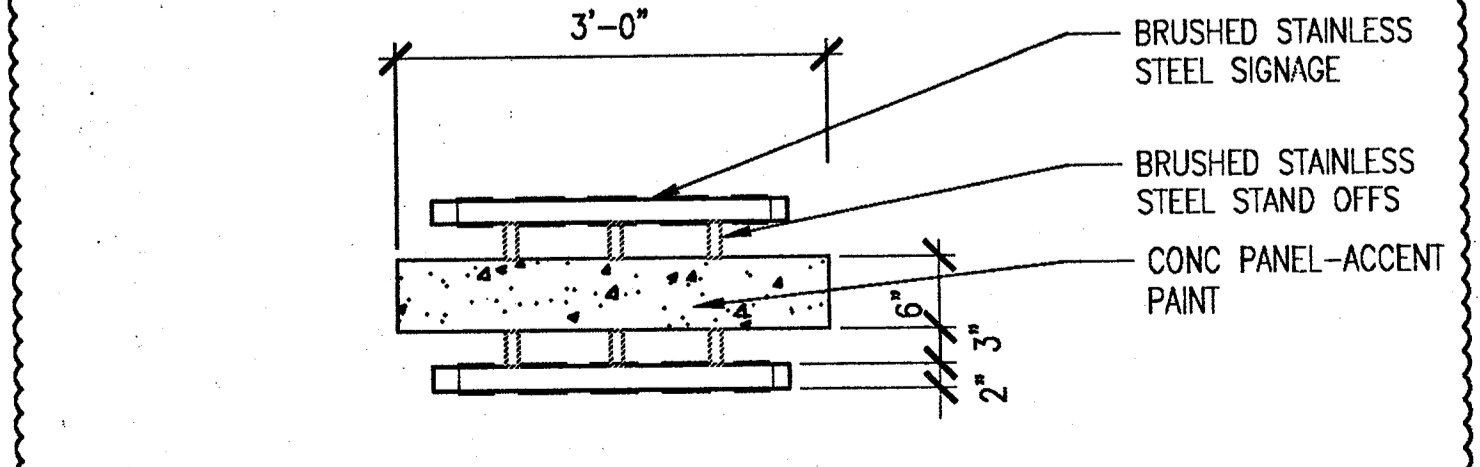
DETAILS & REQUIREMENTS

DRAWING NUMBER

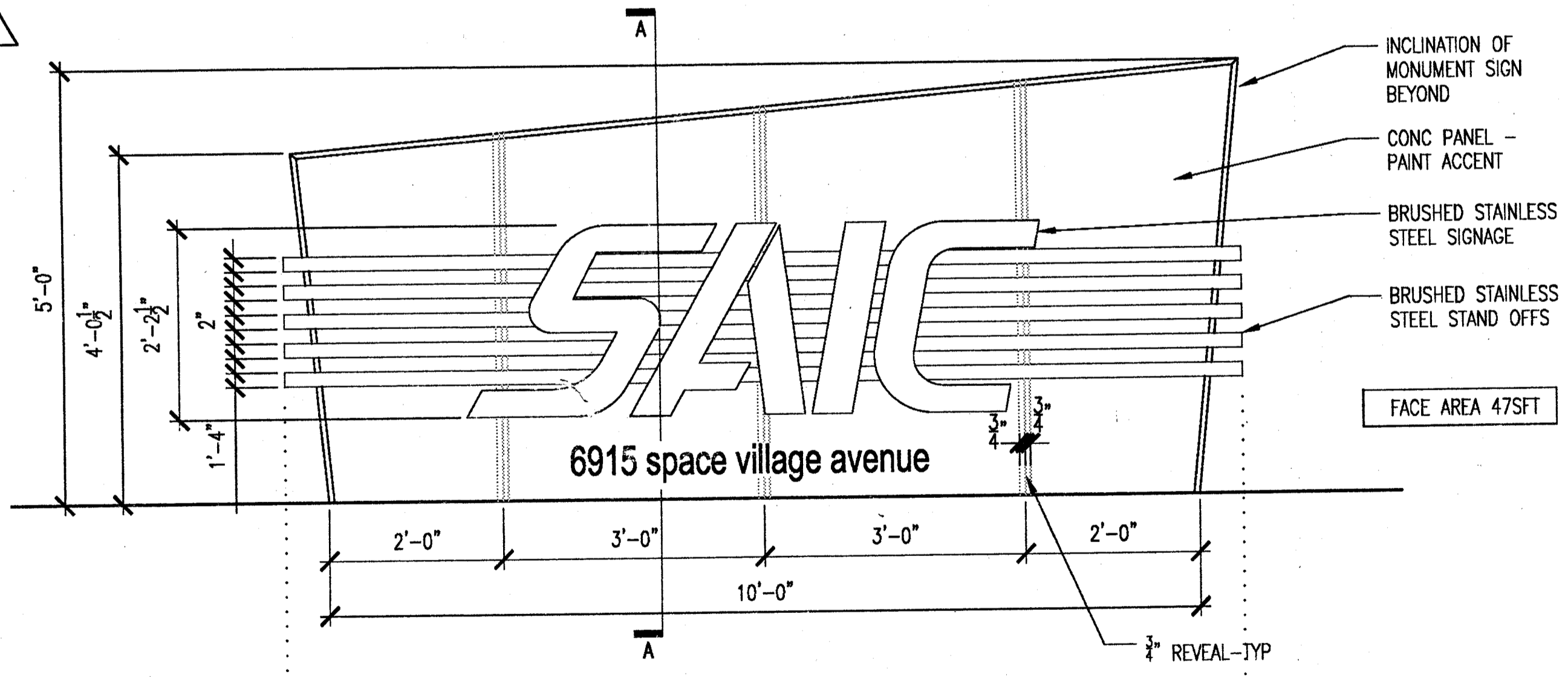
L1.5



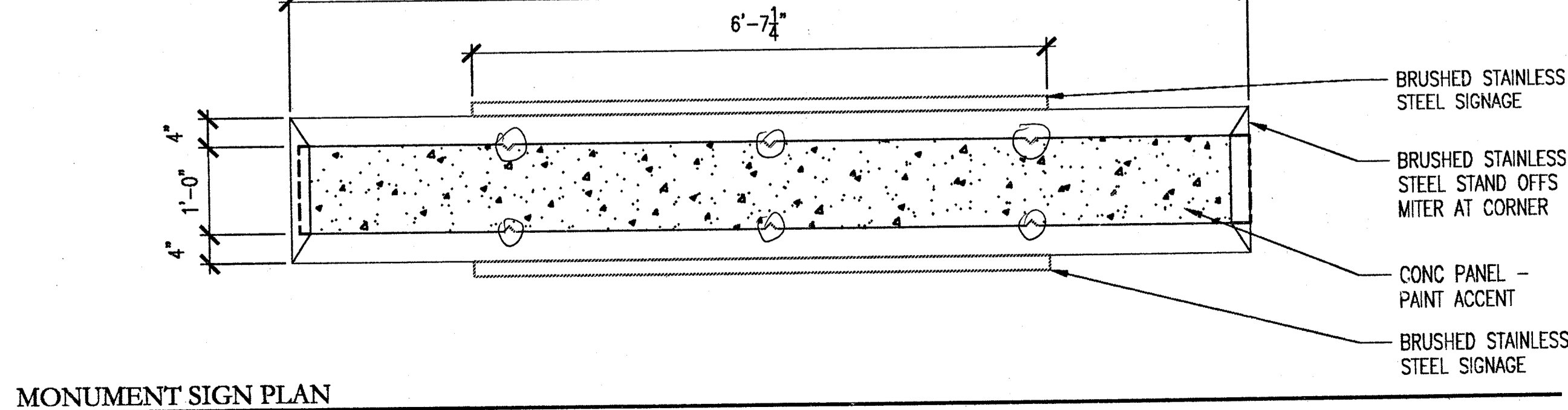
PETERSON MONUMENT SIGN ELEVATION
1/16" = 1'-0"



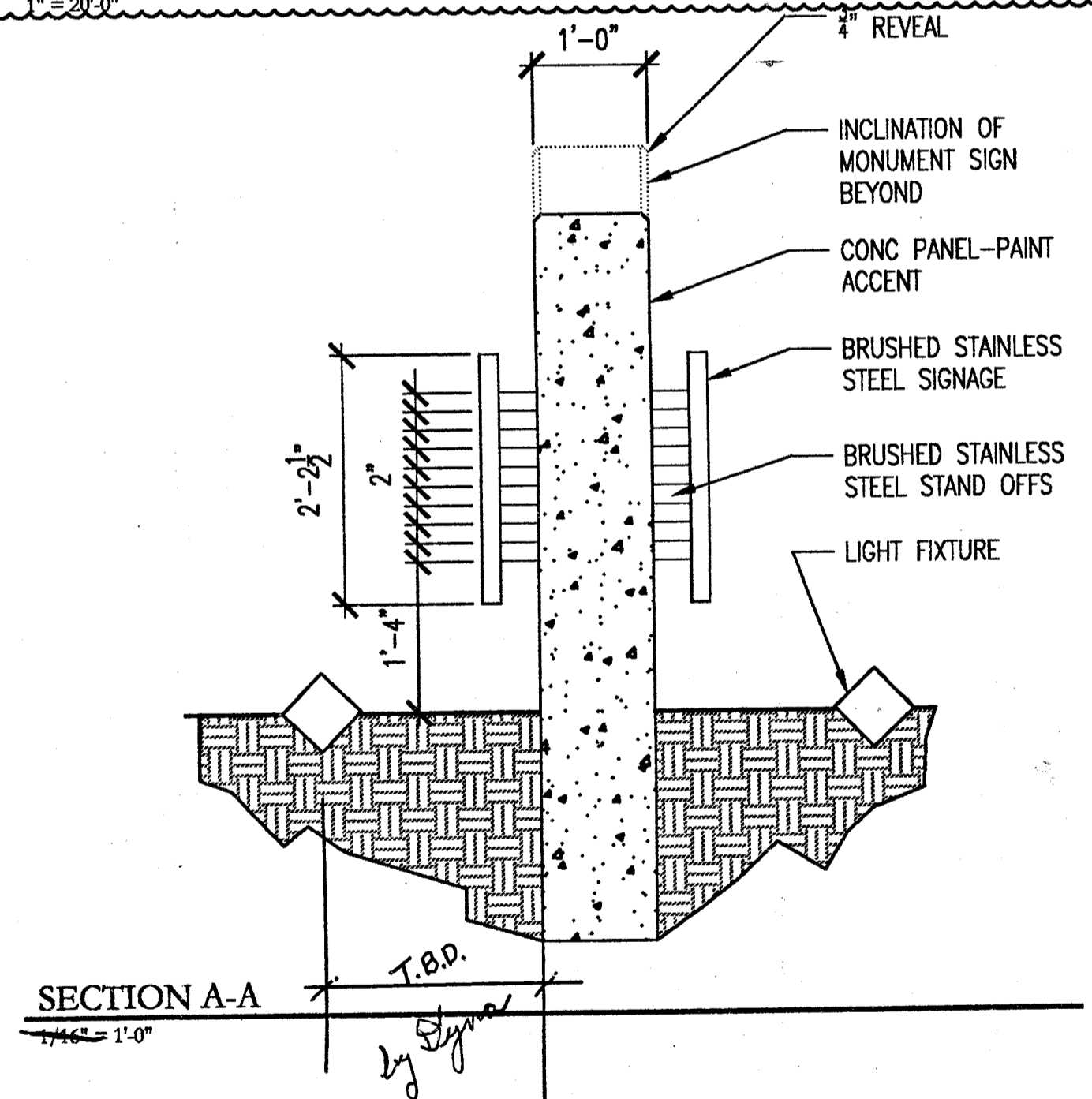
PETERSON MONUMENT SIGN ELEVATION
1/16" = 1'-0"



MONUMENT SIGN ELEVATION
1/16" = 1'-0"



MONUMENT SIGN PLAN
1/16" = 1'-0"



SECTION A-A
1/16" = 1'-0"

ISSUE	DATE	DESCRIPTION
	12/21/05	OWNER REVISION 3
▲	02/14/06	OWNER REVISION 4

NOTES

PROJECT TITLE



SCIENCE APPLICATIONS INTERNATIONAL CORPORATION

OFFICE BUILDING
COLORADO SPRINGS, CO

A PROJECT FOR
THE COWPERWOOD COMPANY

PROJECT NO.	03904
DRAWN BY	NKK
CHECKED	
SCALE	AS NOTED

powers brown architecture 1314 Texas Ave. Suite 401 Houston, TX 77002 713.224.0456 713.224.0457 fax

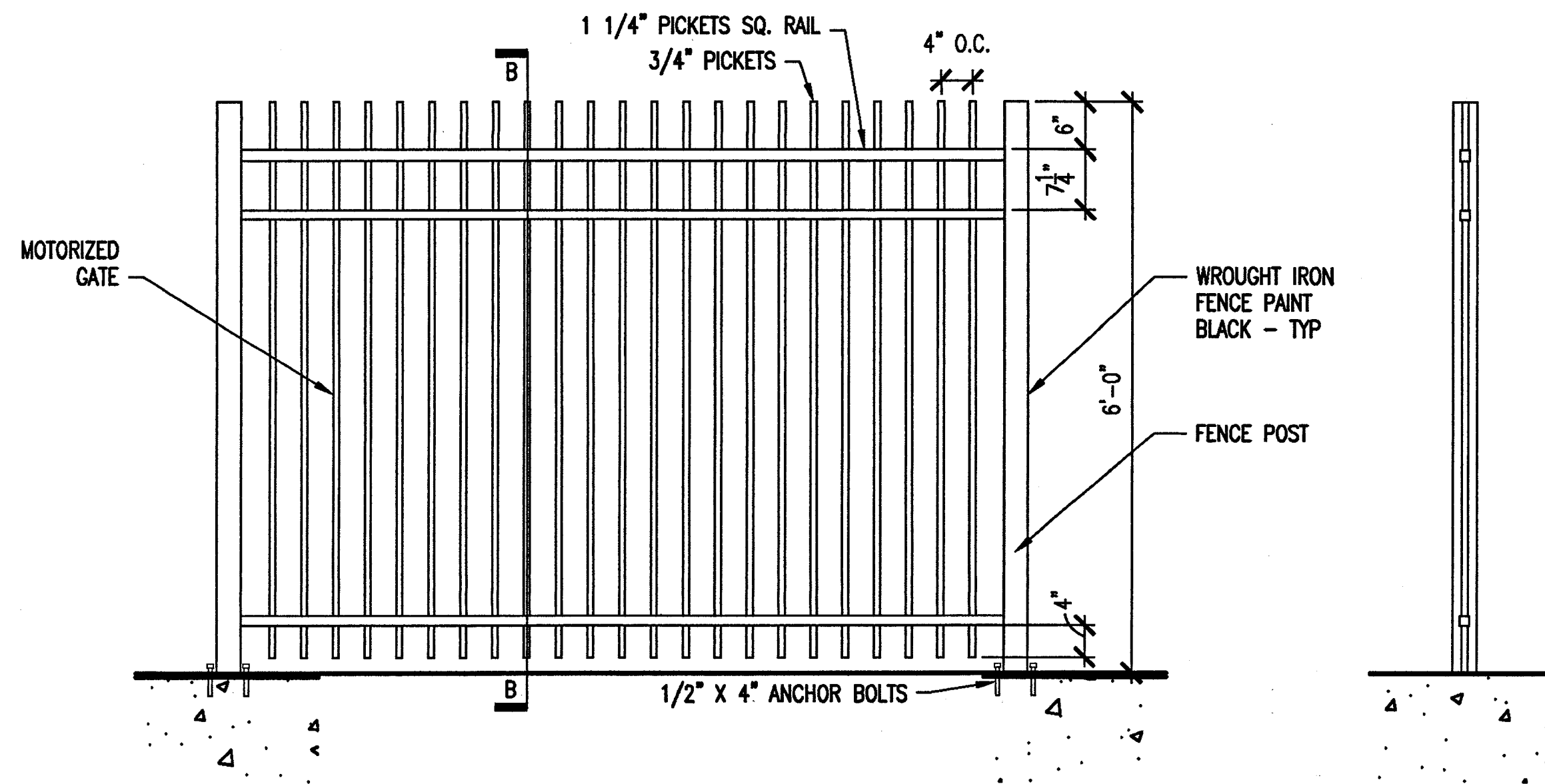
DRAWING TITLE
SPACE VILLAGE MONUMENT SIGN ENTRANCE DETAILS

	DRAWING NUMBER
	A510

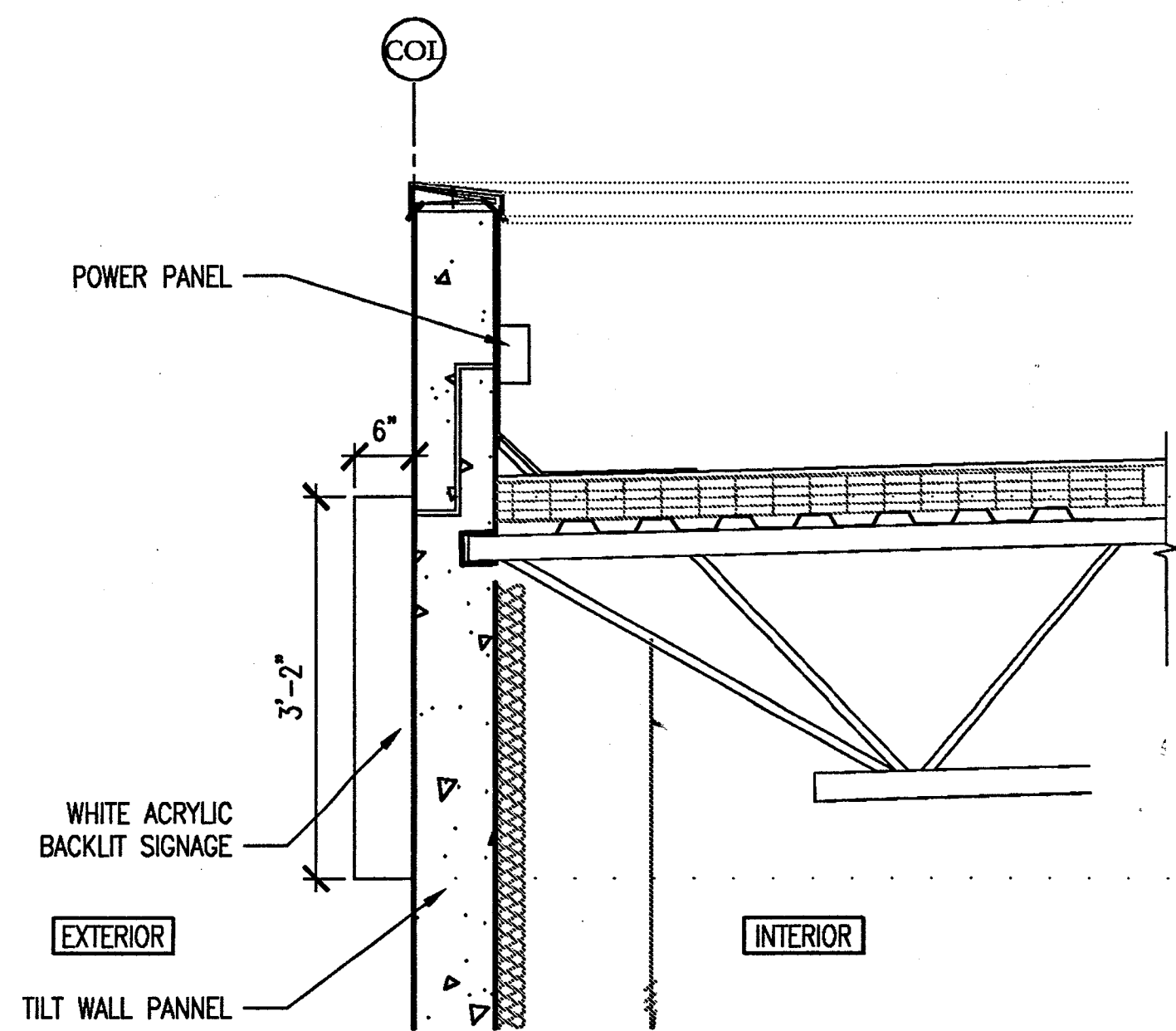
Copyright © 2005 POWERS BROWN ARCHITECTURE. This drawing and the architectural work depicted therein are the sole property of Powers Brown Architecture. No portion of this drawing may be copied with-out the express written consent of the Architect.

TILE FLOOR
6" = 1'-0"

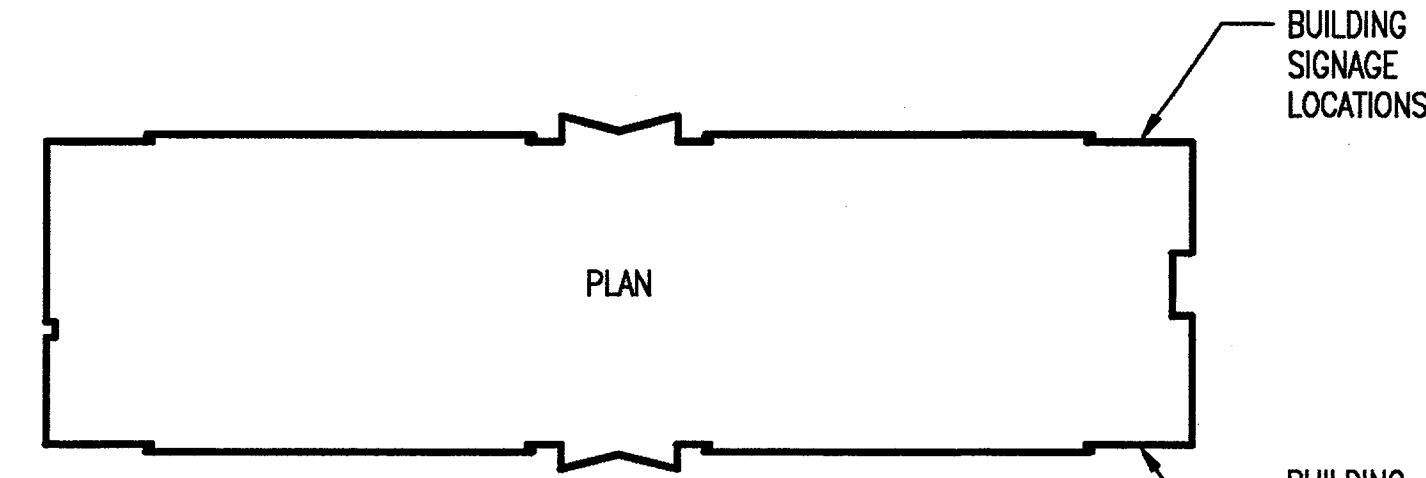
TYP TILE
6" = 1'-0"



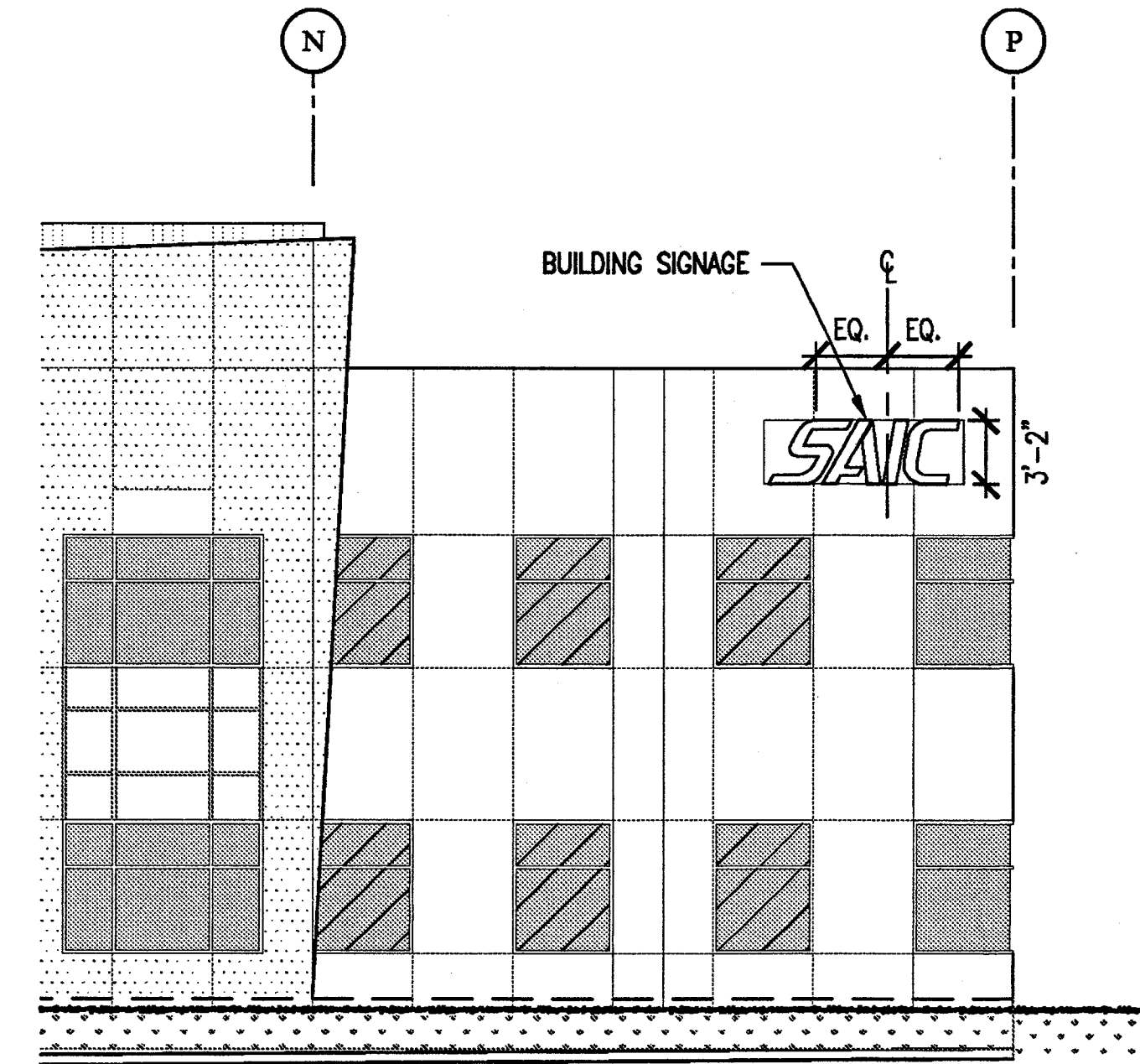
6' TALL IRON FENCE ELEVATION AND SECTION B-B
1/16" = 1'-0"



SIGNAGE SECTION A-A
1/16" = 1'-0"

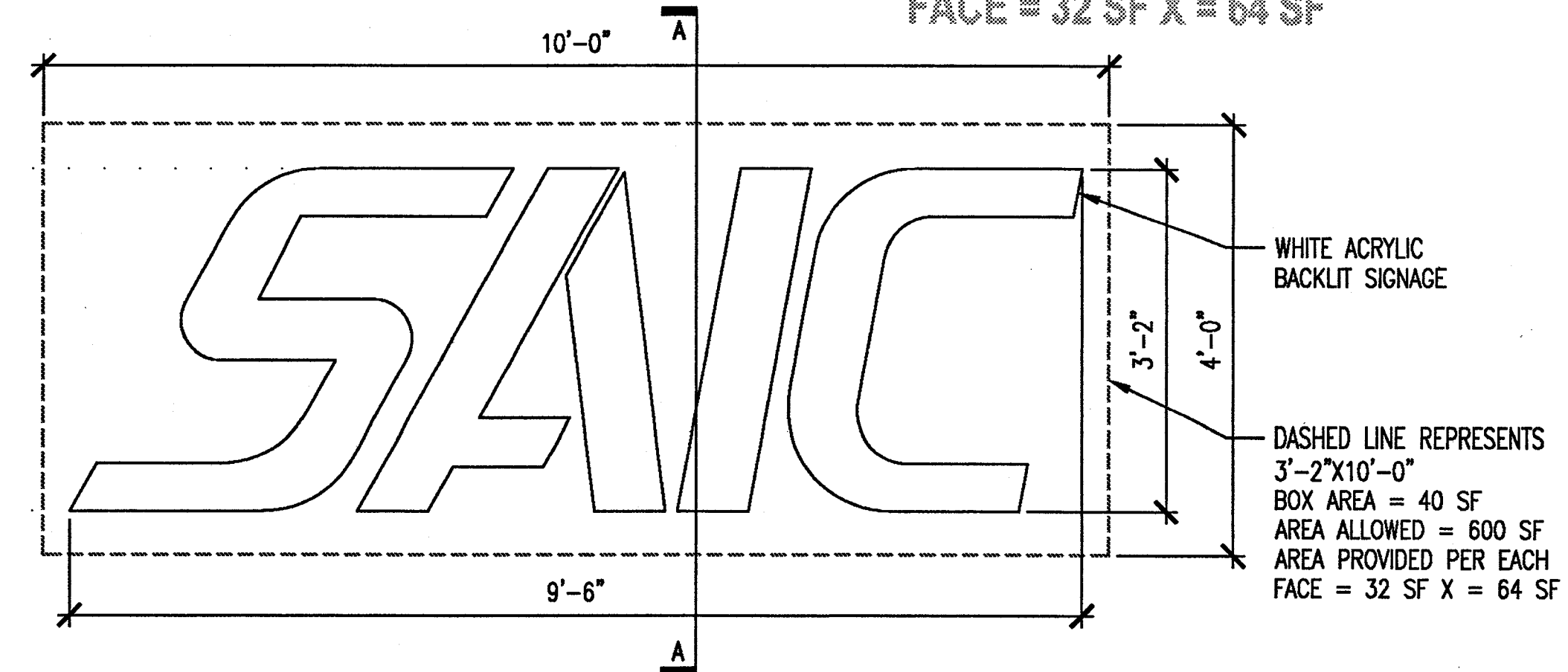


BUILDING SIGNAGE LOCATIONS
1/16" = 1'-0"



BUILDING SIGNAGE LOCATIONS @ NORTH ELEVATION - SOUTH ELEVATION SIM
1/8" = 1'-0"

DASHED LINE REPRESENTS
3'-2" x 10'-0"
BOX AREA = 40 SF
AREA ALLOWED = 600 SF
AREA PROVIDED PER EACH
FACE = 32 SF X = 64 SF



BUILDING SIGNAGE LOCATIONS @ NORTH & SOUTH ELEVATION
1/16" = 1'-0"

ISSUE	DATE	DESCRIPTION
	03/29/06	REVISION 5

NOTES

PROJECT TITLE
SAIC From Science to Solutions

SCIENCE APPLICATIONS
INTERNATIONAL CORPORATION
OFFICE BUILDING
COLORADO SPRINGS, CO

A PROJECT FOR
THE COWPERWOOD COMPANY

PROJECT NO.	03904
DRAWN BY	RAE
CHECKED	
SCALE	AS NOTED

powers brown architecture 1314 Texas Ave.
Suite 401
Houston, TX 77002
713.224.0456
713.224.0457 fax

DRAWING TITLE
EXTERIOR BUILDING SIGNAGE & FENCE DETAILS

DATE OF ISSUE: 03-29-06
JEFFREY E. BROWN
REGISTERED ARCHITECT
DRAWING NUMBER
A511

Copyright © 2005 POWERS BROWN ARCHITECTURE. This drawing and the architectural work depicted therein are the sole property of Powers Brown Architecture. No portion of this drawing may be copied with-out the express written consent of the Architect.