

STANDARD CONSTRUCTION NOTES:

- ALL DRAINAGE AND ROADWAY CONSTRUCTION SHALL MEET THE STANDARDS AND SPECIFICATIONS OF THE CITY OF COLORADO SPRINGS/EL PASO COUNTY DRAINAGE CRITERIA MANUAL, VOLUMES 1 AND 2, AND THE EL PASO COUNTY ENGINEERING CRITERIA MANUAL.
- CONTRACTOR SHALL BE RESPONSIBLE FOR THE NOTIFICATION AND FIELD LOCATION OF ALL EXISTING UTILITIES, WHETHER SHOWN ON THE PLANS OR NOT, BEFORE BEGINNING CONSTRUCTION. LOCATION OF EXISTING UTILITIES SHALL BE VERIFIED BY THE CONTRACTOR PRIOR TO CONSTRUCTION. CALL 811 TO CONTACT THE UTILITY NOTIFICATION CENTER OF COLORADO (UNCC).
- CONTRACTOR SHALL KEEP A COPY OF THESE APPROVED PLANS, THE GRADING AND EROSION CONTROL PLAN, THE STORMWATER MANAGEMENT PLAN (SWMP), THE SOILS AND GEOTECHNICAL REPORT, AND THE APPROPRIATE DESIGN AND CONSTRUCTION STANDARDS AND SPECIFICATIONS AT THE JOB SITE AT ALL TIMES, INCLUDING THE FOLLOWING:
 - EL PASO COUNTY ENGINEERING CRITERIA MANUAL (ECM)
 - CITY OF COLORADO SPRINGS/EL PASO COUNTY DRAINAGE CRITERIA MANUAL, VOLUMES 1 AND 2
 - COLORADO DEPARTMENT OF TRANSPORTATION (CDOT) STANDARD SPECIFICATIONS FOR ROAD AND BRIDGE CONSTRUCTION
 - CDOT M & S STANDARDS
- NOTWITHSTANDING ANYTHING DEPICTED IN THESE PLANS IN WORDS OR GRAPHIC REPRESENTATION, ALL DESIGN AND CONSTRUCTION RELATED TO ROADS, STORM DRAINAGE, AND EROSION CONTROL SHALL CONFORM TO THE STANDARDS AND REQUIREMENTS OF THE MOST RECENT VERSION OF THE RELEVANT ADOPTED EL PASO COUNTY STANDARDS, INCLUDING THE LAND DEVELOPMENT CODE, THE ENGINEERING CRITERIA MANUAL, THE DRAINAGE CRITERIA MANUAL, AND THE DRAINAGE CRITERIA MANUAL VOLUME 2. ANY DEVIATIONS FROM REGULATIONS AND STANDARDS MUST BE REQUESTED, AND APPROVED, IN WRITING. ANY MODIFICATIONS NECESSARY TO MEET CRITERIA AFTER-THE-FACT WILL BE ENTIRELY THE DEVELOPER'S RESPONSIBILITY TO RECTIFY.
- IT IS THE DESIGN ENGINEER'S RESPONSIBILITY TO ACCURATELY SHOW EXISTING CONDITIONS, BOTH ONSITE AND OFFSITE, ON THE CONSTRUCTION PLANS. ANY MODIFICATIONS NECESSARY DUE TO CONFLICTS, OMISSIONS, OR CHANGED CONDITIONS WILL BE ENTIRELY THE DEVELOPER'S RESPONSIBILITY TO RECTIFY.
- CONTRACTOR SHALL SCHEDULE A PRE-CONSTRUCTION MEETING WITH EL PASO COUNTY PLANNING AND COMMUNITY DEVELOPMENT (PCD) - INSPECTIONS, PRIOR TO STARTING CONSTRUCTION.
- IT IS THE CONTRACTOR'S RESPONSIBILITY TO UNDERSTAND THE REQUIREMENTS OF ALL JURISDICTIONAL AGENCIES AND TO OBTAIN ALL REQUIRED PERMITS, INCLUDING BUT NOT LIMITED TO EL PASO COUNTY EROSION AND STORMWATER QUALITY CONTROL PERMIT (ESQCP), REGIONAL BUILDING FLOODPLAIN DEVELOPMENT PERMIT, U.S. ARMY CORPS OF ENGINEERS-ISSUED 401 AND/OR 404 PERMITS, AND COUNTY AND STATE FUGITIVE DUST PERMITS.
- CONTRACTOR SHALL NOT DEVIATE FROM THE PLANS WITHOUT FIRST OBTAINING WRITTEN APPROVAL FROM THE DESIGN ENGINEER AND PCD. CONTRACTOR SHALL NOTIFY THE DESIGN ENGINEER IMMEDIATELY UPON DISCOVERY OF ANY ERRORS OR INCONSISTENCIES.
- ALL STORM DRAIN PIPE SHALL BE CLASS III RCP UNLESS OTHERWISE NOTED AND APPROVED BY PCD.
- CONTRACTOR SHALL COORDINATE GEOTECHNICAL TESTING PER EGM STANDARDS. PAVEMENT DESIGN SHALL BE APPROVED BY EL PASO COUNTY PCD PRIOR TO PLACEMENT OF CURB AND GUTTER AND PAVEMENT.
- ALL CONSTRUCTION TRAFFIC MUST ENTER/EXIT THE SITE AT APPROVED CONSTRUCTION ACCESS POINTS.
- SIGHT VISIBILITY TRIANGLES AS IDENTIFIED IN THE PLANS SHALL BE PROVIDED AT ALL INTERSECTIONS. OBSTRUCTIONS GREATER THAN 18 INCHES ABOVE FLOWLINE ARE NOT ALLOWED WITHIN SIGHT TRIANGLES.
- SIGNING AND STRIPING SHALL COMPLY WITH EL PASO COUNTY DEPARTMENT OF PUBLIC WORKS AND MUTCD CRITERIA.
- CONTRACTOR SHALL OBTAIN ANY PERMITS REQUIRED BY EL PASO COUNTY DEPARTMENT OF PUBLIC WORKS, INCLUDING WORK WITHIN THE RIGHT-OF-WAY AND SPECIAL TRANSPORT PERMITS.
- THE LIMITS OF CONSTRUCTION SHALL REMAIN WITHIN THE PROPERTY LINE UNLESS OTHERWISE NOTED. THE OWNER/DEVELOPER SHALL OBTAIN WRITTEN PERMISSION AND EASEMENTS, WHERE REQUIRED, FROM ADJOINING PROPERTY OWNER(S) PRIOR TO ANY OFF-SITE DISTURBANCE, GRADING, OR CONSTRUCTION.

GRADING NOTES:

- CONSTRUCTION MAY NOT COMMENCE UNTIL A CONSTRUCTION PERMIT IS OBTAINED FROM PLANNING AND COMMUNITY DEVELOPMENT AND A PRECONSTRUCTION CONFERENCE IS HELD WITH PLANNING AND COMMUNITY DEVELOPMENT INSPECTIONS.
- STORMWATER DISCHARGES FROM CONSTRUCTION SITES SHALL NOT CAUSE OR THREATEN TO CAUSE POLLUTION, CONTAMINATION, OR DEGRADATION OF STATE WATERS. ALL WORK AND EARTH DISTURBANCE SHALL BE DONE IN A MANNER THAT MINIMIZES POLLUTION OF ANY ON-SITE OR OFF SITE WATERS, INCLUDING WETLANDS.
- NOTWITHSTANDING ANYTHING DEPICTED IN THESE PLANS IN WORDS OR GRAPHIC REPRESENTATION, ALL DESIGN AND CONSTRUCTION RELATED TO ROADS, STORM DRAINAGE AND EROSION CONTROL SHALL CONFORM TO THE STANDARDS AND REQUIREMENTS OF THE MOST RECENT VERSION OF THE RELEVANT ADOPTED EL PASO COUNTY STANDARDS, INCLUDING THE LAND DEVELOPMENT CODE, THE ENGINEERING CRITERIA MANUAL, THE DRAINAGE CRITERIA MANUAL, AND THE DRAINAGE CRITERIA MANUAL VOLUME 2. ANY DEVIATIONS FROM REGULATIONS AND STANDARDS MUST BE REQUESTED, AND APPROVED, IN WRITING.
- A SEPARATE STORMWATER MANAGEMENT PLAN (SWMP) FOR THIS PROJECT SHALL BE COMPLETED AND AN EROSION AND STORMWATER QUALITY CONTROL PERMIT (ESQCP) ISSUED PRIOR TO BEGINNING CONSTRUCTION. DURING CONSTRUCTION THE RESPONSIBILITY OF THE DESIGNATED STORMWATER MANAGER SHALL BE LOCATED ON SITE AT ALL TIMES AND SHALL BE KEPT UP TO DATE WITH WORK PROGRESS AND CHANGES IN THE FIELD.
- ONCE THE ESQCP HAS BEEN ISSUED, THE CONTRACTOR MAY INSTALL THE INITIAL STAGE EROSION AND SEDIMENT CONTROL BMPS AS INDICATED ON THE QEC. A PRECONSTRUCTION MEETING BETWEEN THE CONTRACTOR, ENGINEER, AND EL PASO COUNTY WILL BE HELD PRIOR TO ANY CONSTRUCTION. IT IS THE RESPONSIBILITY OF THE APPLICANT TO COORDINATE THE MEETING TIME AND PLACE WITH COUNTY DSD INSPECTIONS STAFF.
- SOIL EROSION CONTROL MEASURES FOR ALL SLOPES, CHANNELS, DITCHES, OR ANY DISTURBED LAND AREA SHALL BE COMPLETED WITHIN 21 CALENDAR DAYS AFTER FINAL GRADING, OR FINAL EARTH DISTURBANCE HAS BEEN COMPLETED. DISTURBED AREAS AND STOCKPILES WHICH ARE NOT AT FINAL GRADE BUT WILL REMAIN DORMANT FOR LONGER THAN 30 DAYS SHALL ALSO BE MULCHED WITHIN 21 DAYS AFTER INTERIM GRADING. AN AREA THAT IS GOING TO REMAIN IN AN INTERIM STATE FOR MORE THAN 60 DAYS SHALL ALSO BE SEEDDED. ALL TEMPORARY SOIL EROSION CONTROL MEASURES AND BMPS SHALL BE MAINTAINED UNTIL PERMANENT SOIL EROSION CONTROL MEASURES ARE IMPLEMENTED AND ESTABLISHED.
- TEMPORARY SOIL EROSION CONTROL FACILITIES SHALL BE REMOVED AND EARTH DISTURBANCE AREAS GRADED AND STABILIZED WITH PERMANENT SOIL EROSION CONTROL MEASURES PURSUANT TO STANDARDS AND SPECIFICATION PRESCRIBED IN THE DCM VOLUME II AND THE ENGINEERING CRITERIA MANUAL (ECM) APPENDIX I.
- ALL PERSONS ENGAGED IN EARTH DISTURBANCE SHALL IMPLEMENT AND MAINTAIN ACCEPTABLE SOIL EROSION AND SEDIMENT CONTROL MEASURES INCLUDING BMPS IN CONFORMANCE WITH THE EROSION CONTROL TECHNICAL STANDARDS OF THE DRAINAGE CRITERIA MANUAL (DCM) VOLUME II AND IN ACCORDANCE WITH THE STORMWATER MANAGEMENT PLAN (SWMP).
- ALL TEMPORARY EROSION CONTROL FACILITIES INCLUDING BMPS AND ALL PERMANENT FACILITIES INTENDED TO CONTROL EROSION OF ANY EARTH DISTURBANCE OPERATIONS, SHALL BE INSTALLED AS DEFINED IN THE APPROVED PLANS, THE SWMP AND THE DCM VOLUME II AND MAINTAINED THROUGHOUT THE DURATION OF THE EARTH DISTURBANCE OPERATION.
- ANY EARTH DISTURBANCE SHALL BE CONDUCTED IN SUCH A MANNER SO AS TO EFFECTIVELY REDUCE ACCELERATED SOIL EROSION AND RESULTING SEDIMENTATION. ALL DISTURBANCES SHALL BE DESIGNED, CONSTRUCTED, AND COMPLETED SO THAT THE EXPOSED AREA OF ANY DISTURBED LAND SHALL BE LIMITED TO THE SHORTEST PRACTICAL PERIOD OF TIME.
- ANY TEMPORARY OR PERMANENT FACILITY DESIGNED AND CONSTRUCTED FOR THE CONVEYANCE OF STORMWATER AROUND, THROUGH, OR FROM THE EARTH DISTURBANCE AREA SHALL BE DESIGNED TO LIMIT THE DISCHARGE TO A NON-EROSIVE VELOCITY.
- CONCRETE WASH WATER SHALL BE CONTAINED AND DISPOSED OF IN ACCORDANCE WITH THE SWMP. NO WASH WATER SHALL BE DISCHARGED TO OR ALLOWED TO RUNOFF TO STATE WATERS, INCLUDING ANY SURFACE OR SUBSURFACE STORM DRAINAGE SYSTEM OR FACILITIES.
- EROSION CONTROL BLANKETING SHALL BE USED ON SLOPES STEEPER THAN 3:1.
- BUILDING, CONSTRUCTION, EXCAVATION, OR OTHER WASTE MATERIALS SHALL NOT BE TEMPORARILY PLACED OR STORED IN THE STREET, ALLEY, OR OTHER PUBLIC WAY, UNLESS IN ACCORDANCE WITH AN APPROVED TRAFFIC CONTROL PLAN. BMP'S MAY BE REQUIRED BY EL PASO COUNTY ENGINEERING IF DEEMED NECESSARY, BASED ON SPECIFIC CONDITIONS AND CIRCUMSTANCES.
- VEHICLE TRACKING OF SOILS AND CONSTRUCTION DEBRIS OFF-SITE SHALL BE MINIMIZED. MATERIALS TRACKED OFFSITE SHALL BE CLEANED UP AND PROPERLY DISPOSED OF IMMEDIATELY.
- CONTRACTOR SHALL BE RESPONSIBLE FOR THE REMOVAL OF ALL WASTES FROM THE CONSTRUCTION SITE FOR DISPOSAL IN ACCORDANCE WITH LOCAL AND STATE REGULATORY REQUIREMENTS. NO CONSTRUCTION DEBRIS, TREE SLASH, BUILDING MATERIAL WASTES OR UNUSED BUILDING MATERIALS SHALL BE BURIED, DUMPED, OR DISCHARGED AT THE SITE.
- THE OWNER, SITE DEVELOPER, CONTRACTOR, AND/OR THEIR AUTHORIZED AGENTS SHALL BE RESPONSIBLE FOR THE REMOVAL OF ALL CONSTRUCTION DEBRIS, DIRT, TRASH, ROCK, SEDIMENT, AND SAND THAT MAY ACCUMULATE IN THE STORM SEWER OR OTHER DRAINAGE CONVEYANCE SYSTEM AND STORMWATER APPURTENANCES AS A RESULT OF SITE DEVELOPMENT.
- THE QUANTITY OF MATERIALS STORED ON THE PROJECT SITE SHALL BE LIMITED, AS MUCH AS PRACTICAL, TO THAT QUANTITY REQUIRED TO PERFORM THE WORK IN AN ORDERLY SEQUENCE. ALL MATERIALS STORED ON-SITE SHALL BE STORED IN A NEAT, ORDERLY MANNER, IN THEIR ORIGINAL CONTAINERS, WITH ORIGINAL MANUFACTURER'S LABELS.
- NO CHEMICALS ARE TO BE USED BY THE CONTRACTOR, WHICH HAVE THE POTENTIAL TO BE RELEASED IN STORMWATER UNLESS PERMISSION FOR THE USE OF A SPECIFIC CHEMICAL IS GRANTED IN WRITING BY THE ECM ADMINISTRATOR. IN GRANTING THE USE OF SUCH CHEMICALS, SPECIAL CONDITIONS AND MONITORING MAY BE REQUIRED.
- BULK STORAGE STRUCTURES FOR PETROLEUM PRODUCTS AND OTHER CHEMICALS SHALL HAVE ADEQUATE PROTECTION SO AS TO CONTAIN ALL SPILLS AND PREVENT ANY SPILLED MATERIAL FROM ENTERING STATE WATERS, INCLUDING ANY SURFACE OR SUBSURFACE STORM DRAINAGE SYSTEM OR FACILITIES.
- NO PERSON SHALL CAUSE THE IMPEDIMENT OF STORMWATER FLOW IN THE FLOW LINE OF THE CURB AND GUTTER OR IN THE DITCHLINE.
- INDIVIDUALS SHALL COMPLY WITH THE 'COLORADO WATER QUALITY CONTROL ACT' (TITLE 25, ARTICLE 8, CRS), AND THE 'CLEAN WATER ACT' (33 USC 1344), IN ADDITION TO THE REQUIREMENTS INCLUDED IN THE DCM VOLUME II AND THE ECM APPENDIX I. ALL APPROPRIATE PERMITS MUST BE OBTAINED BY THE CONTRACTOR PRIOR TO CONSTRUCTION (NPDES, FLOODPLAIN, 404, FUGITIVE DUST, ETC.). IN THE EVENT OF CONFLICTS BETWEEN THESE REQUIREMENTS AND LAWS, RULES, OR REGULATIONS OF OTHER FEDERAL, STATE, OR COUNTY AGENCIES, THE MORE RESTRICTIVE LAWS, RULES, OR REGULATIONS SHALL APPLY.
- ALL CONSTRUCTION TRAFFIC MUST ENTER/EXIT THE SITE AT APPROVED CONSTRUCTION ACCESS POINTS.
- PRIOR TO ACTUAL CONSTRUCTION THE PERMITTEE SHALL VERIFY THE LOCATION OF EXISTING UTILITIES.
- A WATER SOURCE SHALL BE AVAILABLE ON SITE DURING EARTHWORK OPERATIONS AND UTILIZED AS REQUIRED TO MINIMIZE DUST FROM EARTHWORK EQUIPMENT AND WIND.
- THE SOILS REPORT FOR THIS SITE HAS BEEN PREPARED BY ENTECH ENGINEERING, INC. (DATED: APRIL 24, 2017) AND SHALL BE CONSIDERED A PART OF THESE PLANS.
- AT LEAST TEN DAYS PRIOR TO THE ANTICIPATED START OF CONSTRUCTION, FOR PROJECTS THAT WILL DISTURB 1 ACRE OR MORE, THE OWNER OR OPERATOR OF CONSTRUCTION ACTIVITY SHALL SUBMIT A PERMIT APPLICATION FOR STORMWATER DISCHARGE TO THE COLORADO DEPARTMENT OF PUBLIC HEALTH AND ENVIRONMENT, WATER QUALITY DIVISION. THE APPLICATION CONTAINS CERTIFICATION OF COMPLETION OF A STORMWATER MANAGEMENT PLAN (SWMP), OF WHICH THIS GRADING AND EROSION CONTROL PLAN MAY BE A PART. FOR INFORMATION OR APPLICATION MATERIALS CONTACT:

COLORADO DEPARTMENT OF PUBLIC HEALTH AND ENVIRONMENT
WATER QUALITY CONTROL DIVISION
WOOD - PERMITS
4300 CHERRY CREEK DRIVE SOUTH
DENVER, CO 80246-1530
ATTN: PERMITS UNIT



Know what's below.
Call 72 hours before you dig.
For more details visit:
www.call811.com

BASIS OF BEARINGS

THE SOUTH LINE OF THE SOUTHWEST 1/4 OF THE SOUTHWEST 1/4 OF SECTION 19, TOWNSHIP 11 SOUTH, RANGE 65 WEST OF THE 6TH P.M., MONUMENTED AS SHOWN, AND IS ASSUMED TO BEAR S 88°55'17" W

BENCHMARK

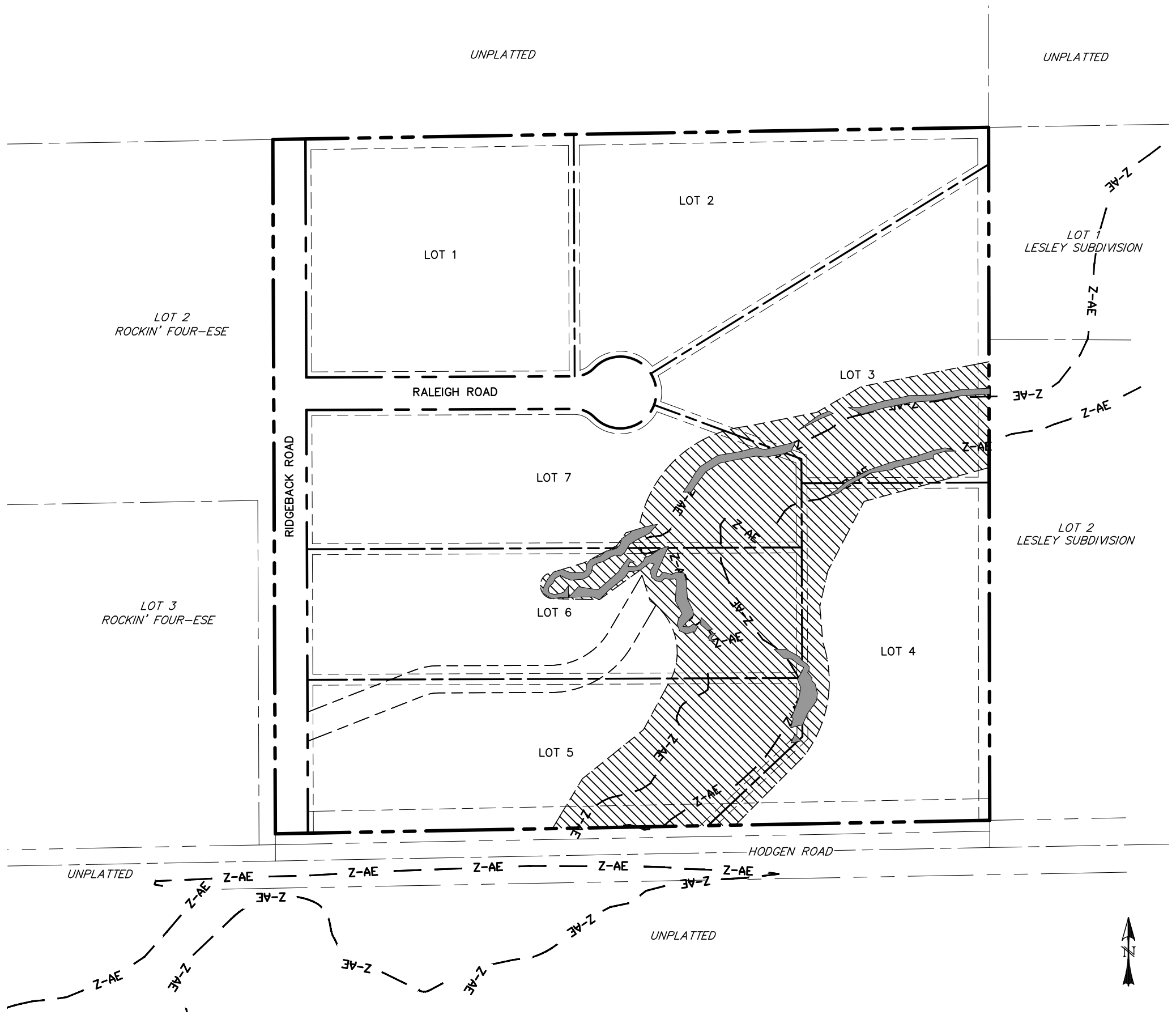
Per NGS Benchmark 1 BB
ELEVATION: 7571.82 (NAVD88)

HIGH PLAINS FILING NO. 1

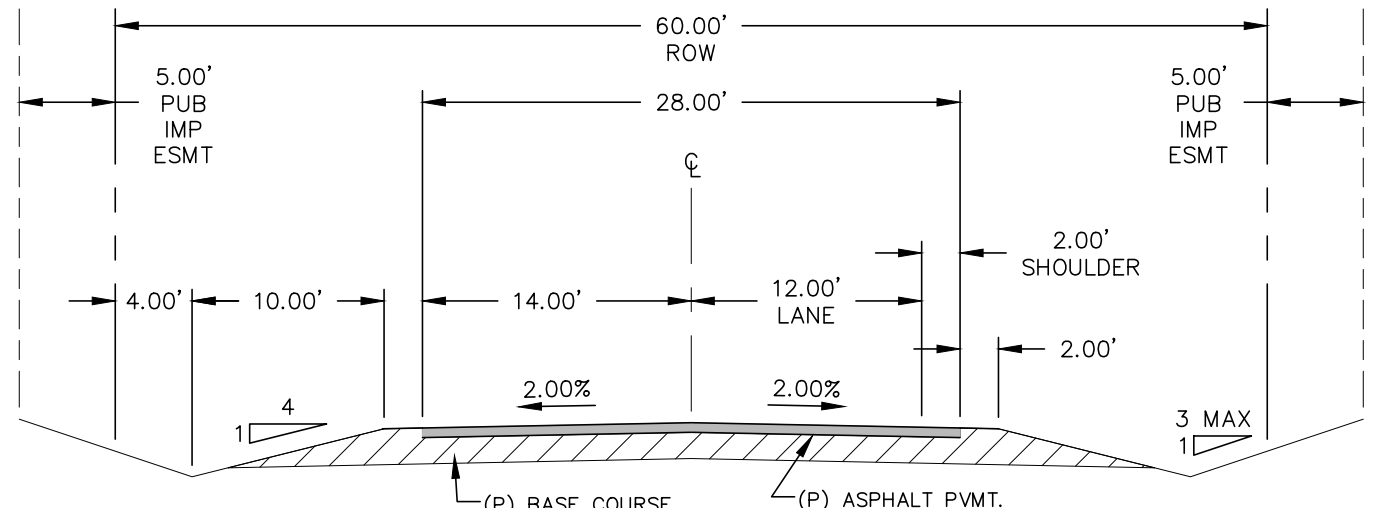
CONSTRUCTION DOCUMENTS

SECTION 19, T 11 S, R 65 W OF 6TH PRINCIPAL MERIDIAN

EL PASO COUNTY, COLORADO



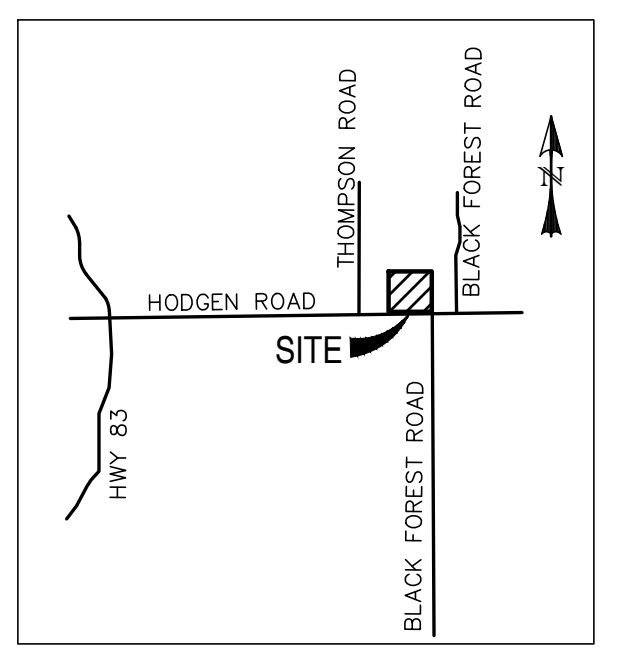
SITE MAP
SCALE: N.T.S.



TYPICAL SECTION - RURAL LOCAL
SCALE: N.T.S.

LEGEND

EXISTING	(E)	BOUNDARY	---
PROPOSED	(P)	RIGHT-OF-WAY	----
PUBLIC	PUB	LOT LINE	----
IMPROVEMENT	IMP	EASEMENT	----
BEGIN TRANSITION	BT	(E) CONTOUR, INDEX	-----6820-----
END TRANSITION	ET	(E) CONTOUR	-----
CURB RETURN	CR	(E) STORM SEWER	-----
POINT OF CURVATURE	PC	(P) CONTOUR, INDEX	-----6820-----
POINT OF TANGENCY	PT	(P) CONTOUR	-----
POINT ON CURVE	POC	(P) STORM SEWER, INLET, MH	-----



VICINITY MAP
SCALE: N.T.S.

PROJECT CONTACTS

ENGINEER: CATAMOUNT ENGINEERING
321 HENRIETTA AVENUE
SUITE A
WOODLAND PARK, CO 80866
DAVID MIJARES, PE
(719) 426-2124

OWNER: SAVAGE DEVELOPMENT, INC.
1125 DIAMOND RIM DRIVE
COLORADO SPRINGS, CO 80921
JORDAN SAVAGE
(719) 684-5412

COUNTY: EL PASO COUNTY PLANNING & COMMUNITY DEVELOPMENT
2880 INTERNATIONAL CIRCLE
SUITE 110
COLORADO SPRINGS, CO 80910
CRAIG DOSSEY, EXECUTIVE DIRECTOR
(719) 520-6300

ELECTRIC: MOUNTAIN VIEW ELECTRIC ASSOCIATION, INC.
11140 EAST WOODMEN ROAD
FALCON, CO 80831
DAVID WALDNER, ENGINEERING MANAGER
(719) 494-2675

GAS:

CONSTRUCTION PLANS AND SPECIFICATIONS ENGINEERS STATEMENT:

THESE DETAILED PLANS AND SPECIFICATIONS WERE PREPARED UNDER MY DIRECTION AND SUPERVISION. SAID DETAILED PLANS AND SPECIFICATIONS HAVE BEEN PREPARED ACCORDING TO THE CRITERIA ESTABLISHED BY THE CITY/COUNTY FOR DETAILED DRAINAGE PLANS AND SPECIFICATIONS, AND SAID DETAILED PLANS AND SPECIFICATIONS ARE IN CONFORMITY WITH THE MASTER PLAN OF THE DRAINAGE BASIN. SAID DETAILED PLANS AND SPECIFICATIONS MEET THE PURPOSES WHICH THE PARTICULAR DRAINAGE FACILITY(S) IS DESIGNED. I ACCEPT RESPONSIBILITY FOR ANY LIABILITY CAUSED BY ANY NEGLIGENCE, ACTS, ERROR OR OMISSIONS ON MY PART IN PREPARATION OF THE DETAILED PLANS AND SPECIFICATIONS.

DAVID L. MIJARES, COLORADO PE #40510

DATE

OWNER STATEMENT:

THE OWNER WILL COMPLY WITH THE REQUIREMENTS OF THE EROSION CONTROL PLAN.

JORDAN SAVAGE, OWNER
1125 DIAMOND RIM DR.
COLORADO SPRINGS, CO 80921

DATE

EL PASO COUNTY APPROVAL:

COUNTY PLAN REVIEW IS PROVIDED ONLY FOR GENERAL CONFORMANCE WITH COUNTY DESIGN CRITERIA. THE COUNTY IS NOT RESPONSIBLE FOR THE ACCURACY AND ADEQUACY OF THE DESIGN, DIMENSIONS, AND/OR ELEVATIONS WHICH SHALL BE CONFIRMED AT THE JOB SITE. THE COUNTY THROUGH THE APPROVAL OF THIS DOCUMENT ASSUMES NO RESPONSIBILITY FOR THE COMPLETENESS AND/OR ACCURACY OF THIS DOCUMENT.

FILED IN ACCORDANCE WITH THE REQUIREMENTS OF THE EL PASO COUNTY LAND DEVELOPMENT CODE, DRAINAGE CRITERIA MANUAL, VOLUMES 1 & 2, AND ENGINEERING CRITERIA MANUAL, AS AMENDED.

IN ACCORDANCE WITH EGM SECTION 1-12, THESE CONSTRUCTION DOCUMENTS WILL BE VALID FOR CONSTRUCTION FOR A PERIOD OF 2 YEARS FROM THE DATE SIGNED BY THE EL PASO COUNTY ENGINEER. IF CONSTRUCTION HAS NOT STARTED WITHIN THOSE 2 YEARS, THE PLANS WILL NEED TO BE RESUBMITTED FOR APPROVAL, INCLUDING PAYMENT OF REVIEW FEES AT THE PLANNING AND COMMUNITY DEVELOPMENT DIRECTORS DISCRETION.

JENNIFER IRVINE, P.E. COUNTY ENGINEER/ECM ADMINISTRATOR

DATE

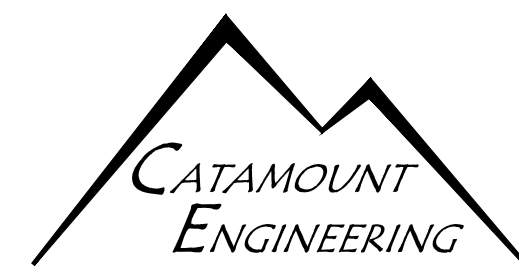
SHEET INDEX:

TITLE SHEET	1	OF 7
GRADING & EROSION CONTROL PLAN	2	OF 7
DETAIL SHEET - GRADING & EROSION CONTROL	3	OF 7
STREET IMPROVEMENT PLAN & PROFILE		
RIDGEBACK ROAD	4	OF 7
RALEIGH ROAD	5	OF 7
STORM SEWER PLAN & PROFILE	6	OF 7
SIGNAGE & STRIPING	7	OF 7

PCD FILE NO: SP-18-003
SF-18-024

REV.	DESCRIPTION	DATE
1	ADDRESS AGENCY COMMENTS	09/27/18

PREPARED FOR:
SAVAGE DEVELOPMENT INC
1125 DIAMOND RIM DR.
COLORADO SPRINGS, CO 80921



PO BOX 221, WOODLAND PARK, CO 80866 (719)426-2124

HIGH PLAINS FILING NO. 1

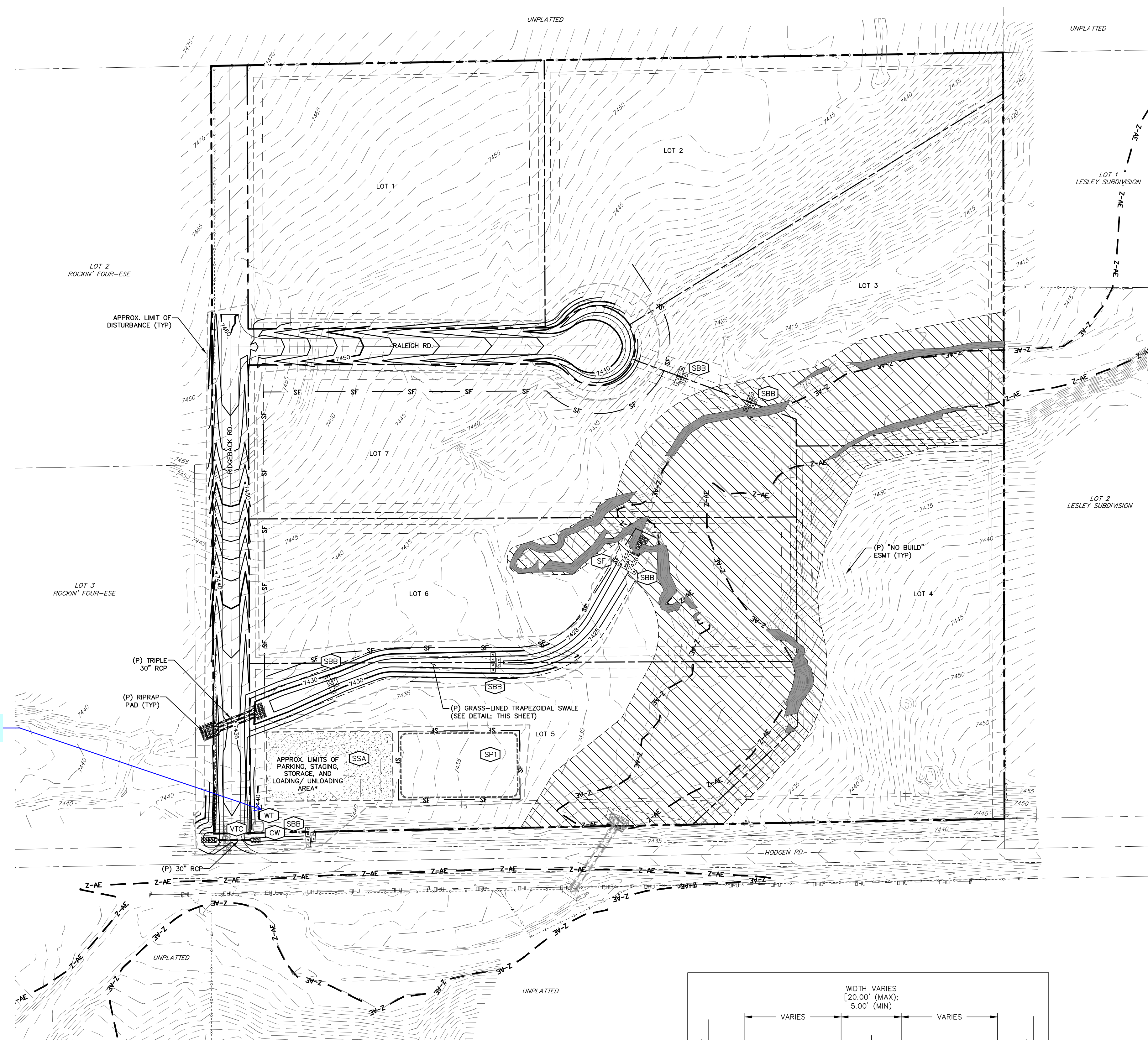
CONSTRUCTION DRAWINGS

DESIGNED BY: DLM	DRAWN BY: DBM
SCALE: N/A	DATE: 10/16/18
JOB NUMBER: 17-135	SHEET: 1 OF 7

BASIC GRADING, EROSION AND STORMWATER QUALITY REQUIREMENTS AND GENERAL PROHIBITIONS:

*INFORMATION TAKEN FROM THE EL PASO COUNTY DRAINAGE CRITERIA MANUAL VOLUME 2, HEREIN REFERRED TO AS THE "MANUAL."

- STORMWATER DISCHARGES FROM CONSTRUCTION SITES SHALL NOT CAUSE OR THREATEN TO CAUSE POLLUTION, CONTAMINATION, OR DEGRADATION OF STATE WATERS.
- CONCRETE WASH WATER SHALL NOT BE DISCHARGED TO OR ALLOWED TO RUNOFF TO STATE WATERS, INCLUDING ANY SURFACE OR SUBSURFACE STORM DRAINAGE SYSTEM FACILITIES.
- BUILDING, CONSTRUCTION, EXCAVATION, OR OTHER WASTE MATERIALS SHALL NOT BE TEMPORARILY PLACED OR STORED IN THE STREET, ALLEY, OR OTHER PUBLIC WAY, UNLESS IN ACCORDANCE WITH AN APPROVED TRAFFIC CONTROL PLAN. BMP'S MAY BE REQUIRED BY COUNTY ENGINEERING IF DEEMED NECESSARY, BASED ON SPECIFIC CONDITIONS AND CIRCUMSTANCES (E.G., ESTIMATED TIME OF EXPOSURE, SEASON OF THE YEAR, ETC.).
- VEHICLE TRACKING OF SOILS OFF-SITE SHALL BE MINIMIZED.
- ALL WASTES COMPOSED OF BUILDING MATERIALS MUST BE REMOVED FROM THE CONSTRUCTION SITE FOR DISPOSAL IN ACCORDANCE WITH LOCAL AND STATE REGULATORY REQUIREMENTS. NO BUILDING MATERIAL WASTES OR UNUSED BUILDING MATERIALS SHALL BE BURIED, DUMPED, OR DISCHARGED AT THE SITE.
- NO CHEMICALS ARE TO BE USED BY THE CONTRACTOR, WHICH HAVE THE POTENTIAL TO BE RELEASED IN STORMWATER UNLESS PERMISSION FOR THE USE OF A SPECIFIC CHEMICAL IS GRANTED IN WRITING BY THE COUNTY ENGINEER. IN GRANTING THE USE OF SUCH CHEMICALS, SPECIAL CONDITIONS AND MONITORING MAY BE REQUIRED.
- BULK STORAGE STRUCTURES FOR PETROLEUM PRODUCTS AND OTHER CHEMICALS SHALL HAVE ADEQUATE PROTECTION SO AS TO CONTAIN ALL SPILLS AND PREVENT ANY SPILLED MATERIAL FROM ENTERING STATE WATERS, INCLUDING ANY SURFACE OR SUBSURFACE STORM DRAINAGE SYSTEM OR FACILITIES.
- ALL PERSONS ENGAGED IN EARTH DISTURBANCE SHALL IMPLEMENT AND MAINTAIN ACCEPTABLE SOIL EROSION AND SEDIMENT CONTROL MEASURES INCLUDING BMP'S IN CONFORMANCE WITH THE EROSION CONTROL TECHNICAL STANDARDS OF THE MANUAL AND IN ACCORDANCE WITH THE EROSION AND STORMWATER QUALITY CONTROL PLAN APPROVED BY THE COUNTY OF EL PASO, IF REQUIRED.
- ALL TEMPORARY EROSION CONTROL FACILITIES INCLUDING BMP'S AND ALL PERMANENT FACILITIES INTENDED TO CONTROL EROSION OF ANY EARTH DISTURBANCE OPERATIONS SHALL BE INSTALLED AS DEFINED IN THE APPROVED PLANS AND THE MANUAL, AND MAINTAINED THROUGHOUT THE DURATION OF THE EARTH DISTURBANCE OPERATION. THE INSTALLATION OF THE FIRST LEVEL OF TEMPORARY EROSION CONTROL FACILITIES AND BMP'S SHALL BE INSTALLED AND INSPECTED PRIOR TO ANY EARTH DISTURBANCE OPERATIONS TAKING PLACE.
- ANY EARTH DISTURBANCE SHALL BE CONDUCTED IN SUCH A MANNER SO AS TO EFFECTIVELY REDUCE ACCELERATED SOIL EROSION AND RESULTING SEDIMENTATION.
- ALL EARTH DISTURBANCES SHALL BE DESIGNED, CONSTRUCTED, AND COMPLETED IN SUCH A MANNER SO THAT THE EXPOSED AREA OF ANY DISTURBED LAND SHALL BE LIMITED TO THE SHORTEST PRACTICAL PERIOD OF TIME.
- ALL WORK AND EARTH DISTURBANCE SHALL BE DONE IN A MANNER THAT MINIMIZES POLLUTION OF ANY ON-SITE OR OFF-SITE WATERS, INCLUDING WETLANDS.
- SUSPENDED SEDIMENT CAUSED BY ACCELERATED SOIL EROSION SHALL BE MINIMIZED IN RUNOFF WATER BEFORE IT LEAVES THE SITE OF THE EARTH DISTURBANCE.
- ANY TEMPORARY OR PERMANENT FACILITY DESIGNED AND CONSTRUCTED FOR THE CONVEYANCE OF STORMWATER AROUND, THROUGH, OR FROM THE EARTH DISTURBANCE AREA SHALL BE DESIGNED TO LIMIT THE DISCHARGE TO A NON-EROSIVE VELOCITY.
- TEMPORARY SOIL EROSION CONTROL FACILITIES SHALL BE REMOVED AND EARTH DISTURBANCE AREAS GRADED AND STABILIZED WITH PERMANENT SOIL EROSION CONTROL MEASURES PURSUANT TO THE STANDARDS AND SPECIFICATIONS PRESCRIBED IN THE MANUAL, AND IN ACCORDANCE WITH THE PERMANENT EROSION CONTROL FEATURES SHOWN ON THE EROSION AND STORMWATER QUALITY CONTROL PLANS APPROVED BY THE COUNTY OF EL PASO, IF REQUIRED.
- SOIL EROSION CONTROL MEASURES FOR ALL SLOPES, CHANNELS, DITCHES, OR ANY DISTURBED LAND AREA SHALL BE COMPLETED WITHIN TWENTY-ONE (21) CALENDAR DAYS AFTER FINAL GRADING, OR FINAL EARTH DISTURBANCE, HAS BEEN COMPLETED. DISTURBED AREAS AND STOCKPILES WHICH ARE NOT AT FINAL GRADE BUT WILL REMAIN DORMANT FOR LONGER THAN 30 DAYS SHALL ALSO BE MULCHED WITHIN 21 DAYS AFTER INTERIM GRADING. AN AREA THAT IS GOING TO REMAIN IN AN INTERM STATE FOR MORE THAN 60 DAYS SHALL ALSO BE SEEDED. ALL TEMPORARY SOIL EROSION CONTROL MEASURES AND BMP'S SHALL BE MAINTAINED UNTIL PERMANENT SOIL EROSION CONTROL MEASURES ARE IMPLEMENTED.
- NO PERSON SHALL CAUSE, PERMIT, OR CONTRIBUTE TO THE DISCHARGE INTO THE MUNICIPAL SEWER POLLUTANTS THAT COULD CAUSE THE COUNTY OF EL PASO TO BE IN VIOLATION OF ITS COLORADO DISCHARGE PERMIT SYSTEM MUNICIPAL STORMWATER DISCHARGE PERMIT.
- THE OWNER, SITE DEVELOPER, CONTRACTOR, AND/OR THEIR AUTHORIZED AGENTS SHALL BE RESPONSIBLE FOR THE REMOVAL OF ALL CONSTRUCTION DEBRIS, DIRT, TRASH, ROCK, SEDIMENT, AND SAND THAT MAY ACCUMULATE IN THE STORM SEWER OR OTHER DRAINAGE CONVEYANCE SYSTEM AND STORMWATER APPURTENANCES AS A RESULT OF SITE DEVELOPMENT.
- NO PERSON SHALL CAUSE THE IMPEDIMENT OF STORMWATER FLOW IN THE FLOW LINE OF THE CURB AND GUTTER, INCLUDING THE TEMPORARY OR PERMANENT RAMPING WITH MATERIALS FOR VEHICLE ACCESS.
- INDIVIDUALS SHALL COMPLY WITH THE "COLORADO WATER QUALITY CONTROL ACT" (TITLE 25, ARTICLE 8, CRS), AND THE "CLEAN WATER ACT" (33 USC 1344), REGULATIONS PROMULGATED, CERTIFICATIONS OR PERMITS ISSUED, IN ADDITION TO THE REQUIREMENTS INCLUDED IN THE MANUAL. IN THE EVENT OF CONFLICTS BETWEEN THESE REQUIREMENTS AND WATER QUALITY CONTROL LAWS, RULES, OR REGULATIONS OF OTHER FEDERAL OR STATE AGENCIES, THE MORE RESTRICTIVE LAWS, RULES, OR REGULATIONS SHALL APPLY.
- THE QUANTITY OF MATERIALS STORED ON THE PROJECT SITE SHALL BE LIMITED, AS MUCH AS PRACTICAL, TO THAT QUANTITY REQUIRED TO PERFORM WORK IN AN ORDERLY SEQUENCE. ALL MATERIALS STORED ON-SITE SHALL BE STORED IN A NEAT, ORDERLY MANNER, IN THEIR ORIGINAL CONTAINERS, WITH ORIGINAL MANUFACTURER'S LABELS. MATERIALS SHALL NOT BE STORED IN A LOCATION WHERE THEY MAY BE CARRIED BY STORMWATER RUNOFF INTO A STATE WATER AT ANY TIME.
- SPILL PREVENTION AND CONTAINMENT MEASURES SHALL BE USED AT STORAGE, AND EQUIPMENT FUELING AND SERVICING AREAS TO PREVENT THE POLLUTION OF ANY STATE WATERS, INCLUDING WETLANDS. ALL SPILLS SHALL BE CLEANED UP IMMEDIATELY AFTER DISCOVERY, OR CONTAINED UNTIL APPROPRIATE CLEANUP METHODS CAN BE EMPLOYED. MANUFACTURER'S RECOMMENDED METHODS FOR SPILL CLEANUP SHALL BE FOLLOWED, ALONG WITH PROPER DISPOSAL METHODS.



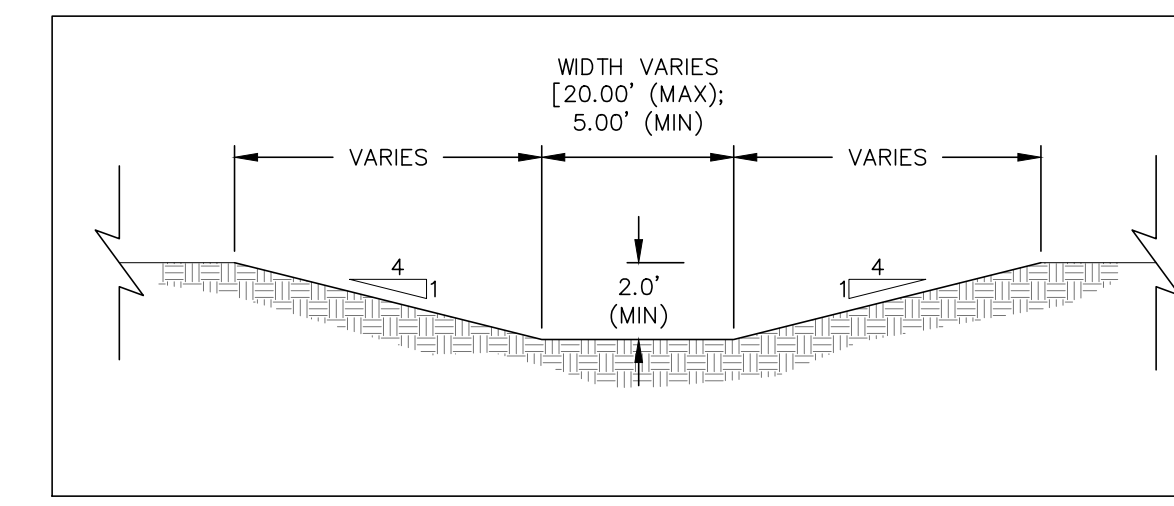
Add this BMP to the legend

Provide detail for Straw bales

NOTE:
* THE LOCATION OF SOIL STOCKPILE(S), STAGING AREA, AND TEMPORARY DISPOSAL AREA SHALL BE DETERMINED BY THE CONTRACTOR. APPROPRIATE EROSION CONTROL BMP MEASURES SHALL BE FOLLOWED FOR EACH.

LEGEND

EXISTING	(E)
PROPOSED	(P)
CURB AND GUTTER	C&G
BOUNDARY	---
RIGHT-OF-WAY	---
LOT LINE	---
(E) CONTOUR, INDEX	---6820---
(E) CONTOUR	---
(P) CONTOUR, INDEX	---6820---
(P) CONTOUR	---
(E) STORM SEWER	---
(P) STORM SEWER	---
SILT FENCE	SF
VEHICLE TRACKING CONTROL	VTC
CONCRETE WASHOUT AREA	CWA
STRAW BALE BARRIER	SBB
STABILIZED STAGING AREA	SSA
STOCKPILE PROTECTION	SPT



- SEEDING GUIDELINES**
- SEEDBED PREPARATION**
THE SEEDBED SHOULD BE WELL-SETTLED AND FIRM, BUT FRIABLE ENOUGH THAT THE SEED CAN BE PLACED AT THE SPECIFIED DEPTHS. COMPETITIVE STANDS OF WEEDS THAT ARE PRESENT BEFORE SEEDING MUST BE CONTROLLED BY SHALLOW TILLAGE OR BY APPLICATION OF HERBICIDES. SOILS THAT HAVE BEEN BROADCAST SEEDING BY TRAFFIC OR EQUIPMENT, ESPECIALLY WHEN WET, SHOULD BE TILLED TO BREAK UP ROOTING-RESTRICTIVE LAYERS, THEN HARROWED, ROLLED, OR PAKED TO PREPARE THE REQUIRED FIRM SEEDBED.
 - FERTILIZER**
FERTILIZER SHOULD BE APPLIED AT A RATE OF 50 POUNDS OF AVAILABLE NITROGEN PER ACRE AND 40 POUNDS OF AVAILABLE PHOSPHATE PER ACRE. THE TIME OF APPLICATION SHOULD BE IMMEDIATELY PRIOR TO SEEDING, AT THE TIME OF SEEDING, OR IMMEDIATELY FOLLOWING SEEDING, DEPENDING ON THE KIND OF FERTILIZER AND TYPE OF EQUIPMENT USED.
 - SEEDING**
SEED SHOULD BE PLANTED WITH A GRASS DRILL ON ALL SLOPES OF 3:1 (3:1) OR FLATTER. SEED MAY BE BROADCAST BY HAND, BY MECHANICAL SPREADER, OR BY HYDRAULIC EQUIPMENT ON AREAS THAT ARE SMALL, TOO STEEP, OR NOT ACCESSIBLE FOR SEED DRILL OPERATIONS. SEED PLANTED WITH A DRILL SHOULD BE COVERED WITH SOIL TO A DEPTH OF 1/4 TO 3/4 INCH. SEED PLANTED BY THE BROADCAST METHOD SHALL BE INCORPORATED INTO THE SOIL SURFACE, NOT TO EXCEED A DEPTH OF 3/4 INCH, BY RAKING, HARROWING, OR OTHER PROVEN METHOD.

- MULCHING**
SEEDING AREAS SHOULD BE MULCHED TO CONSERVE MOISTURE; PREVENT SURFACE COMPACTION OR CRUSTING; REDUCE RUNOFF AND EROSION; CONTROL INSECTS; AND HELP ESTABLISH PLANT COVER.
NATIVE HAY OR STRAW SHOULD BE APPLIED AT A RATE OF 4,000 POUNDS PER ACRE AND SPRAYED INTO THE GROUND. ON SLOPES GREATER THAN 3:1, AN AGRONOMY BLANKET SHOULD BE USED.
- SUPPLEMENTAL WATER**
IN LOW RAINFALL AREAS, WHERE WATER IS AVAILABLE AND WHERE RAPID ESTABLISHMENT IS NEEDED, IRRIGATION OF NEW SEEDING SHOULD BE PERFORMED DURING THE FIRST GROWING SEASON. WATER SHOULD BE APPLIED AT APPROXIMATELY ONE WEEK INTERVALS, AT A RATE OF 3/4 TO 1 INCH PER APPLICATION, WHEN RAINFALL IS DEFICIENT FOR PLANT DEVELOPMENT.

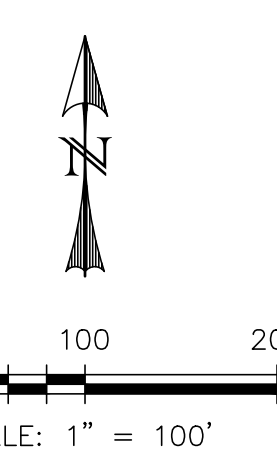
EROSION PROTECTION & REVEGETATION REQUIREMENTS
PER U.S.A. SOIL CONSERVATION SERVICE GUIDELINES

1. PRACTICE NO. & NAME	342 - CRITICAL AREA TREATMENT
RANGE SITE	SANDY FERTHILLS
2. PLANNED SEEDING PREP.	A METHOD: XX
B. DATES TILLED	XX
C. CLEAN TILLED	XX
FIRM SEEDBED	XX
STUBBLE COVER	XX
INTERSEED	XX
OTHER	XX
FERTILIZER	WEED CONTROL: N/A
POUNDS ACTUAL PER ACRE	N/A
(AVAILABLE)	XX
PEOS	40
K	N/A

MULCH	LONG - STEM NATIVE HAY	POUNDS/ACRE
KIND	AMOUNT	4,000
HOW APPLIED	N/A	
HOW ANCHORED	CRIMPED	
ANCHORAGE DEPTH	4"	

SEED	VARIETY	SPECIES	REQUIRED PLS RATES PER ACRES (100%)
	GDSHEN	PRAIRIE SANDREED	6.5
	VAUGHN	SIDEBATS GRAMMA	9.0
	LDVINGTON	BLUE GRAMMA	3.0
	BLACKWELL	SWITCH GRASS	4.5
	PASTURA	LITTLE BLUESTEM	7.0

% OF SPECIES IN MIXTURE	PLS SEEDING RATE PER SPECIES/ACRE (3) x (4)	(4)	TOTAL PLS LBS/ACRE (3) x (4)
15	0.98	6.5	6.4
25	2.25	6.5	14.6
15	0.45	6.5	2.9
20	0.90	6.5	5.6
25	1.75	6.5	11.4

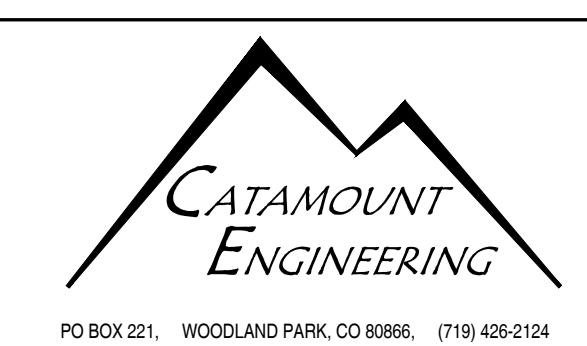


REV.	DESCRIPTION	DATE



PREPARED FOR:
SAVAGE DEVELOPMENT INC
1125 DIAMOND RIM DR.
COLORADO SPRINGS, CO 80921

PREPARED UNDER MY DIRECT SUPERVISION FOR AND BEHALF OF
CATAMOUNT ENGINEERING.

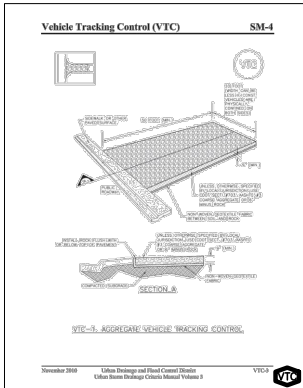


HIGH PLAINS FILING NO. 1
GRADING & EROSION CONTROL PLAN

DESIGNED BY: DLM	DRAWN BY: DBM
SCALE: 1"=100'	DATE: 10/16/18
JOB NUMBER: 17-135	SHEET: 2 OF 7

DAVID L. MIJARES, COLORADO PE #40510 DATE

PCD FILE NO: SP-18-003 SF-18-024



November 2010 Urban Drainage and Flood Control District Urban Storm Drainage Criteria Manual Volume 3 VTC-4

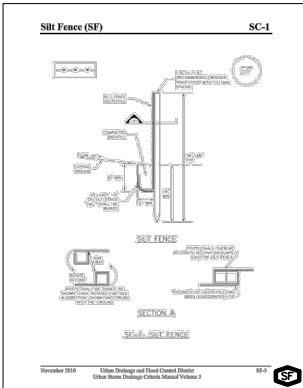
SM-4 Vehicle Tracking Control (VTC)

DESCRIPTION: This detail shows the design of a vehicle tracking control structure. The structure is designed to prevent sediment from being tracked off-site by vehicles. It consists of a concrete curb and a concrete slab. The curb is 12 inches high and 12 inches wide. The slab is 4 inches thick and 12 inches wide. The structure is located at the entrance and exit of the site. The design is based on the Urban Storm Drainage Criteria Manual, Volume 3, Section 10.1.1.1.

NOTES:

1. THE CURB SHALL BE 12 INCHES HIGH AND 12 INCHES WIDE.
2. THE SLAB SHALL BE 4 INCHES THICK AND 12 INCHES WIDE.
3. THE CURB SHALL BE CONCRETE.
4. THE SLAB SHALL BE CONCRETE.
5. THE CURB SHALL BE LOCATED AT THE ENTRANCE AND EXIT OF THE SITE.
6. THE SLAB SHALL BE LOCATED AT THE ENTRANCE AND EXIT OF THE SITE.
7. THE CURB SHALL BE 12 INCHES HIGH AND 12 INCHES WIDE.
8. THE SLAB SHALL BE 4 INCHES THICK AND 12 INCHES WIDE.
9. THE CURB SHALL BE CONCRETE.
10. THE SLAB SHALL BE CONCRETE.
11. THE CURB SHALL BE LOCATED AT THE ENTRANCE AND EXIT OF THE SITE.
12. THE SLAB SHALL BE LOCATED AT THE ENTRANCE AND EXIT OF THE SITE.

November 2010 Urban Drainage and Flood Control District Urban Storm Drainage Criteria Manual Volume 3



November 2010 Urban Drainage and Flood Control District Urban Storm Drainage Criteria Manual Volume 3 SF-4

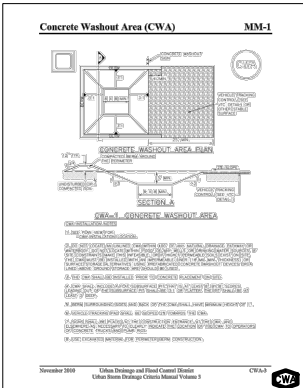
SC-1 Silt Fence (SF)

DESCRIPTION: This detail shows the design of a silt fence. The silt fence is designed to filter sediment from runoff water. It consists of a 12-inch high curb and a 12-inch wide base. The curb is made of concrete. The base is made of aggregate. The design is based on the Urban Storm Drainage Criteria Manual, Volume 3, Section 10.1.1.2.

NOTES:

1. THE CURB SHALL BE 12 INCHES HIGH AND 12 INCHES WIDE.
2. THE CURB SHALL BE CONCRETE.
3. THE BASE SHALL BE 12 INCHES WIDE AND MADE OF AGGREGATE.
4. THE CURB SHALL BE LOCATED AT THE ENTRANCE AND EXIT OF THE SITE.
5. THE BASE SHALL BE LOCATED AT THE ENTRANCE AND EXIT OF THE SITE.

November 2010 Urban Drainage and Flood Control District Urban Storm Drainage Criteria Manual Volume 3



November 2010 Urban Drainage and Flood Control District Urban Storm Drainage Criteria Manual Volume 3 CWA-3

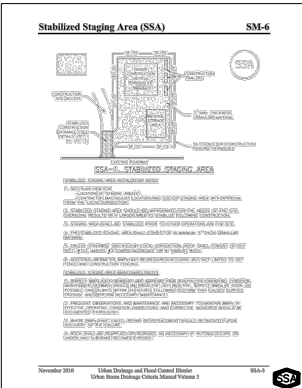
MM-1 Concrete Washout Area (CWA)

DESCRIPTION: This detail shows the design of a concrete washout area. The washout area is designed to allow concrete to be washed off of equipment. It consists of a concrete curb and a concrete slab. The curb is 12 inches high and 12 inches wide. The slab is 4 inches thick and 12 inches wide. The design is based on the Urban Storm Drainage Criteria Manual, Volume 3, Section 10.1.1.3.

NOTES:

1. THE CURB SHALL BE 12 INCHES HIGH AND 12 INCHES WIDE.
2. THE SLAB SHALL BE 4 INCHES THICK AND 12 INCHES WIDE.
3. THE CURB SHALL BE CONCRETE.
4. THE SLAB SHALL BE CONCRETE.
5. THE CURB SHALL BE LOCATED AT THE ENTRANCE AND EXIT OF THE SITE.
6. THE SLAB SHALL BE LOCATED AT THE ENTRANCE AND EXIT OF THE SITE.

November 2010 Urban Drainage and Flood Control District Urban Storm Drainage Criteria Manual Volume 3



November 2010 Urban Drainage and Flood Control District Urban Storm Drainage Criteria Manual Volume 3 SSA-4

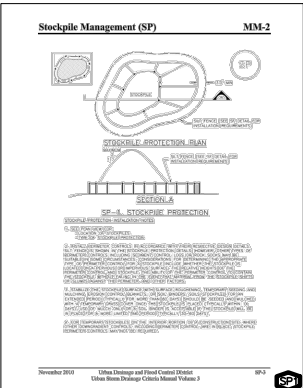
SM-6 Stabilized Staging Area (SSA)

DESCRIPTION: This detail shows the design of a stabilized staging area. The staging area is designed to stabilize soil on a construction site. It consists of a concrete curb and a concrete slab. The curb is 12 inches high and 12 inches wide. The slab is 4 inches thick and 12 inches wide. The design is based on the Urban Storm Drainage Criteria Manual, Volume 3, Section 10.1.1.4.

NOTES:

1. THE CURB SHALL BE 12 INCHES HIGH AND 12 INCHES WIDE.
2. THE SLAB SHALL BE 4 INCHES THICK AND 12 INCHES WIDE.
3. THE CURB SHALL BE CONCRETE.
4. THE SLAB SHALL BE CONCRETE.
5. THE CURB SHALL BE LOCATED AT THE ENTRANCE AND EXIT OF THE SITE.
6. THE SLAB SHALL BE LOCATED AT THE ENTRANCE AND EXIT OF THE SITE.

November 2010 Urban Drainage and Flood Control District Urban Storm Drainage Criteria Manual Volume 3



November 2010 Urban Drainage and Flood Control District Urban Storm Drainage Criteria Manual Volume 3 SP-4

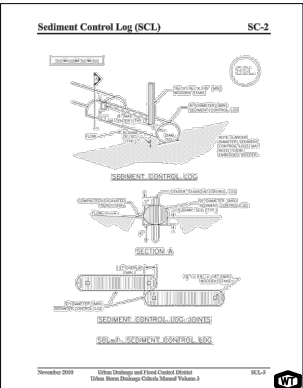
MM-2 Stockpile Management (SM)

DESCRIPTION: This detail shows the design of a stockpile management structure. The structure is designed to prevent sediment from being tracked off-site by vehicles. It consists of a concrete curb and a concrete slab. The curb is 12 inches high and 12 inches wide. The slab is 4 inches thick and 12 inches wide. The design is based on the Urban Storm Drainage Criteria Manual, Volume 3, Section 10.1.1.5.

NOTES:

1. THE CURB SHALL BE 12 INCHES HIGH AND 12 INCHES WIDE.
2. THE SLAB SHALL BE 4 INCHES THICK AND 12 INCHES WIDE.
3. THE CURB SHALL BE CONCRETE.
4. THE SLAB SHALL BE CONCRETE.
5. THE CURB SHALL BE LOCATED AT THE ENTRANCE AND EXIT OF THE SITE.
6. THE SLAB SHALL BE LOCATED AT THE ENTRANCE AND EXIT OF THE SITE.

November 2010 Urban Drainage and Flood Control District Urban Storm Drainage Criteria Manual Volume 3



November 2010 Urban Drainage and Flood Control District Urban Storm Drainage Criteria Manual Volume 3 SCL-3

SC-2 Sediment Control Log (SCL)

DESCRIPTION: This detail shows the design of a sediment control log. The log is designed to filter sediment from runoff water. It consists of a 12-inch high curb and a 12-inch wide base. The curb is made of concrete. The base is made of aggregate. The design is based on the Urban Storm Drainage Criteria Manual, Volume 3, Section 10.1.1.6.

NOTES:

1. THE CURB SHALL BE 12 INCHES HIGH AND 12 INCHES WIDE.
2. THE CURB SHALL BE CONCRETE.
3. THE BASE SHALL BE 12 INCHES WIDE AND MADE OF AGGREGATE.
4. THE CURB SHALL BE LOCATED AT THE ENTRANCE AND EXIT OF THE SITE.
5. THE BASE SHALL BE LOCATED AT THE ENTRANCE AND EXIT OF THE SITE.

November 2010 Urban Drainage and Flood Control District Urban Storm Drainage Criteria Manual Volume 3

REV.	DESCRIPTION	DATE



PREPARED FOR:
SAVAGE DEVELOPMENT INC
1125 DIAMOND RIM DR.
COLORADO SPRINGS, CO 80921

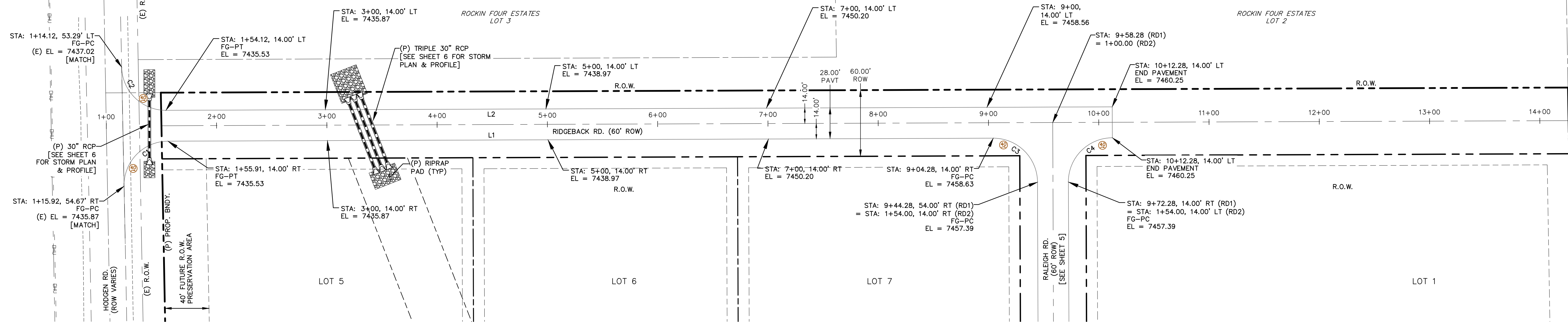
PREPARED UNDER MY DIRECT SUPERVISION FOR AND BEHALF OF CATAMOUNT ENGINEERING.



HIGH PLAINS FILING NO. 1
GRADING & EROSION CONTROL
DETAIL SHEET

DESIGNED BY:	DLM	DRAWN BY:	DBM
SCALE:	N/A	DATE:	10/16/18
JOB NUMBER:	17-136	SHEET:	3 OF 7

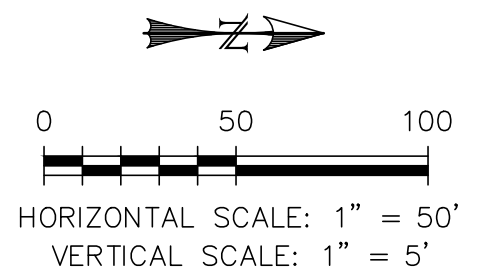
DAVID L. MJARES, COLORADO PE #40510 DATE



LEGEND

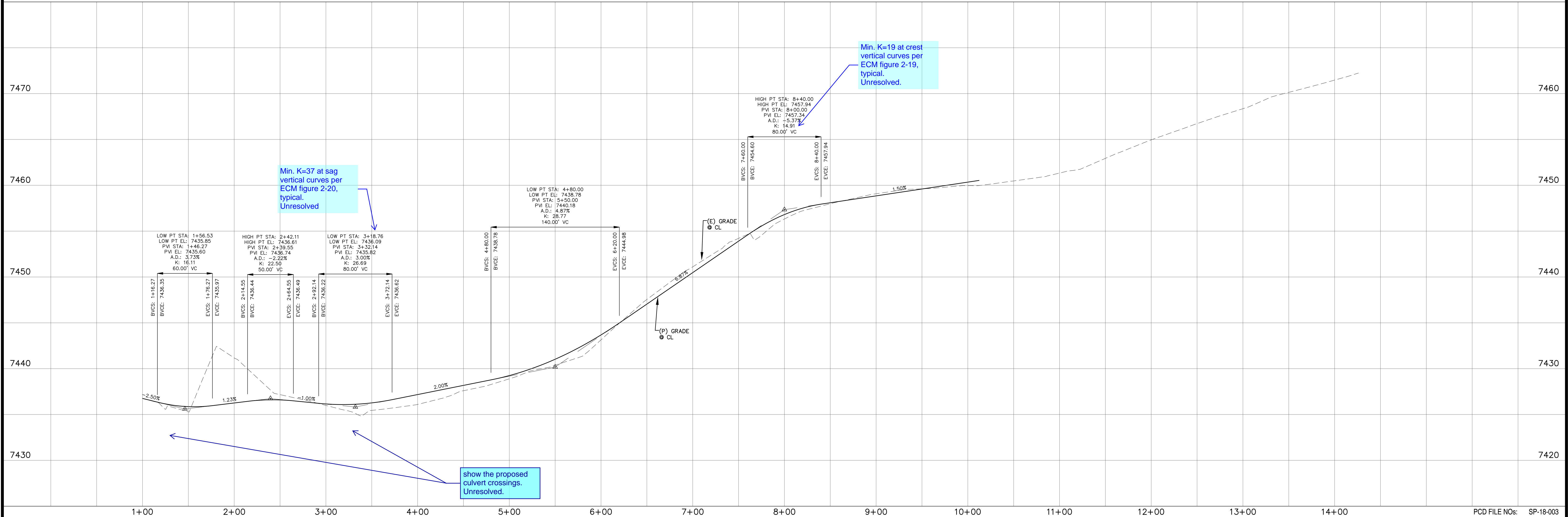
EXISTING	(E)	(E) STORM SEWER	
PROPOSED	(P)	(P) STORM SEWER	
CURB AND GUTTER	C&G		
BOUNDARY		CURB RETURN RADIUS CALL-OUT	
RIGHT-OF-WAY			
LOT LINE			
(E) CONTOUR, INDEX	-6820		
(E) CONTOUR			
(P) CONTOUR, INDEX	-6820		
(P) CONTOUR			

Review 1 comment partially resolved.
 Review 2: Include road classification i.e. Ridgeback Road - Rural Local



LINE	BEARING	DISTANCE
L1	N0° 12' 28.47"W	748.37
L2	N0° 12' 28.47"W	858.17

CURVE	DELTA	RADIUS	LENGTH
C1	90°57'25"	40.00	63.50
C2	88°58'44"	40.00	62.12
C3	90°00'00"	40.00	62.83
C4	90°00'00"	40.00	62.83



show the proposed culvert crossings. Unresolved.

REV.	DESCRIPTION	DATE



PREPARED FOR:
 SAVAGE DEVELOPMENT INC
 1125 DIAMOND RIM DR.
 COLORADO SPRINGS, CO 80921

PREPARED UNDER MY DIRECT SUPERVISION FOR AND BEHALF OF CATAMOUNT ENGINEERING.

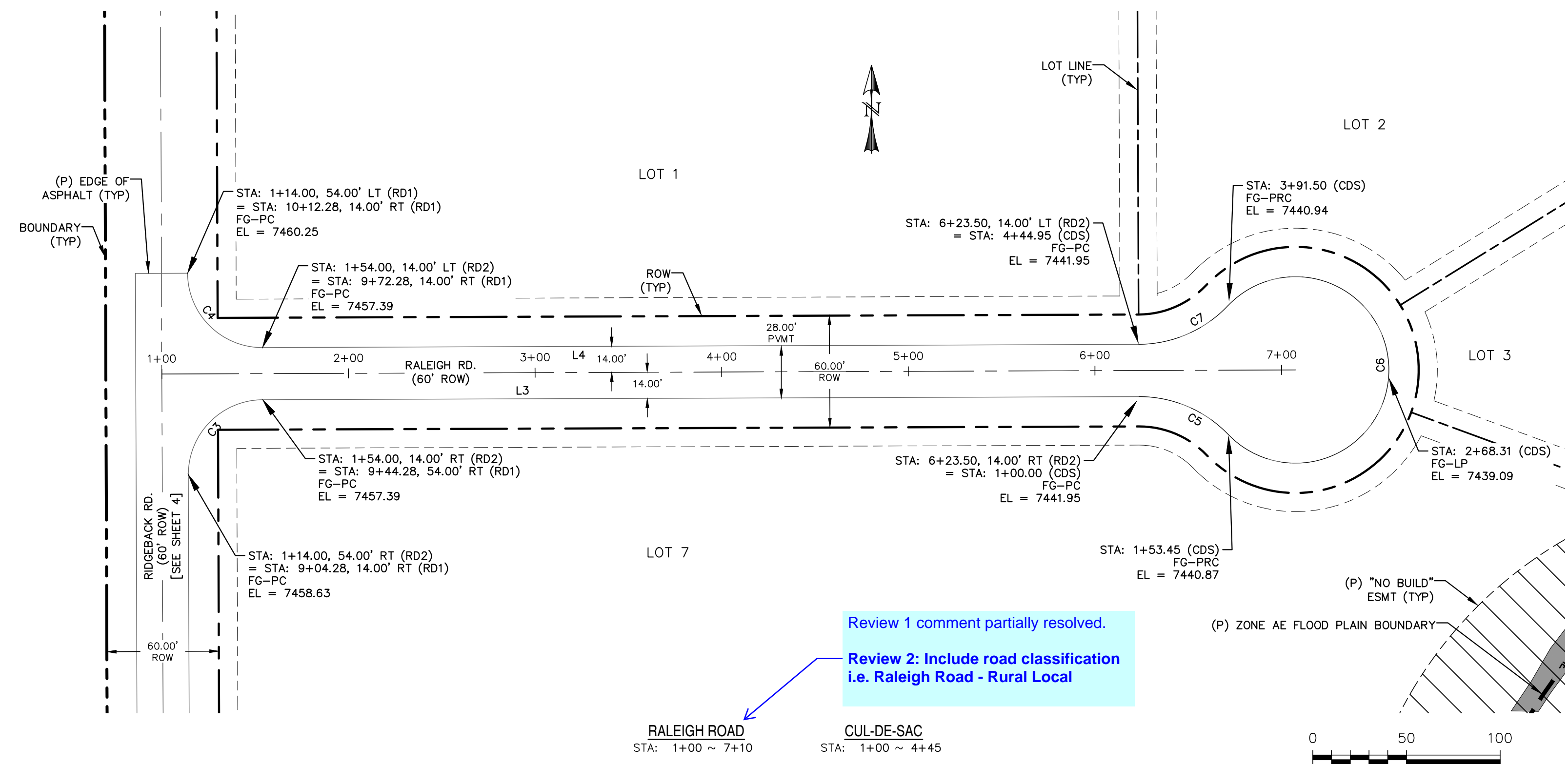
DAVID L. MIJARES, COLORADO PE #40510 DATE



HIGH PLAINS FILING NO. 1
 RIDGEBACK ROAD
 STREET IMPROVEMENT
 PLAN & PROFILE

DESIGNED BY: DLM	DRAWN BY: DBM
SCALE: 1" = 50'	DATE: 10/16/18
JOB NUMBER: 17-135	SHEET: 4 OF 7

PCD FILE NOS: SP-18-003 SF-18-024



LINE TABLE		
LINE	BEARING	DISTANCE
L3	N89° 47' 31.53"E	469.50
L4	S89° 47' 31.53"W	469.50

CURVE TABLE			
CURVE	DELTA	RADIUS	LENGTH
C3	90°00'00"	40.00	62.83
C4	90°00'00"	40.00	62.83
C5	46°23'50"	66.00	53.45
C6	272°47'40"	50.00	238.06
C7	46°23'50"	66.00	53.45

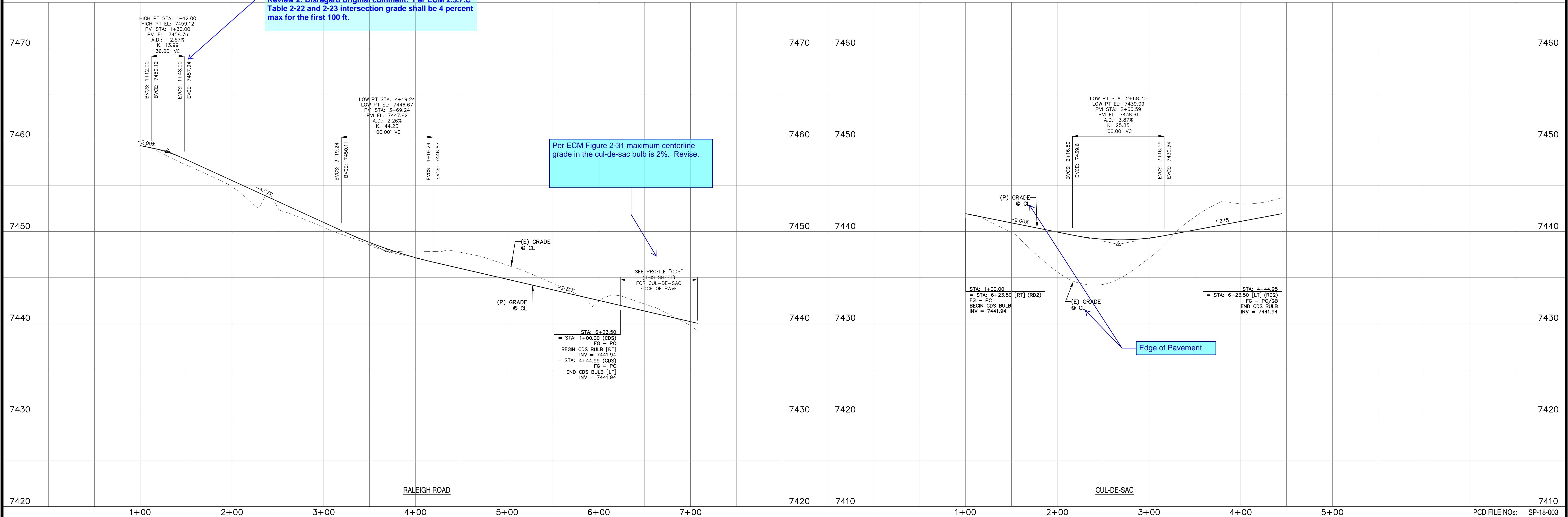
Review 1 comment partially resolved.
 Review 2: Include road classification
 i.e. Raleigh Road - Rural Local

Min. K=19 at crest vertical curves per ECM figure 2-19, typical.

Review 2: Disregard original comment. Per ECM 2.3.7.C Table 2-22 and 2-23 intersection grade shall be 4 percent max for the first 100 ft.

Per ECM Figure 2-31 maximum centerline grade in the cul-de-sac bulb is 2%. Revise.

Edge of Pavement



REV.	DESCRIPTION	DATE



PREPARED FOR:
 SAVAGE DEVELOPMENT INC
 1125 DIAMOND RIM DR.
 COLORADO SPRINGS, CO 80921

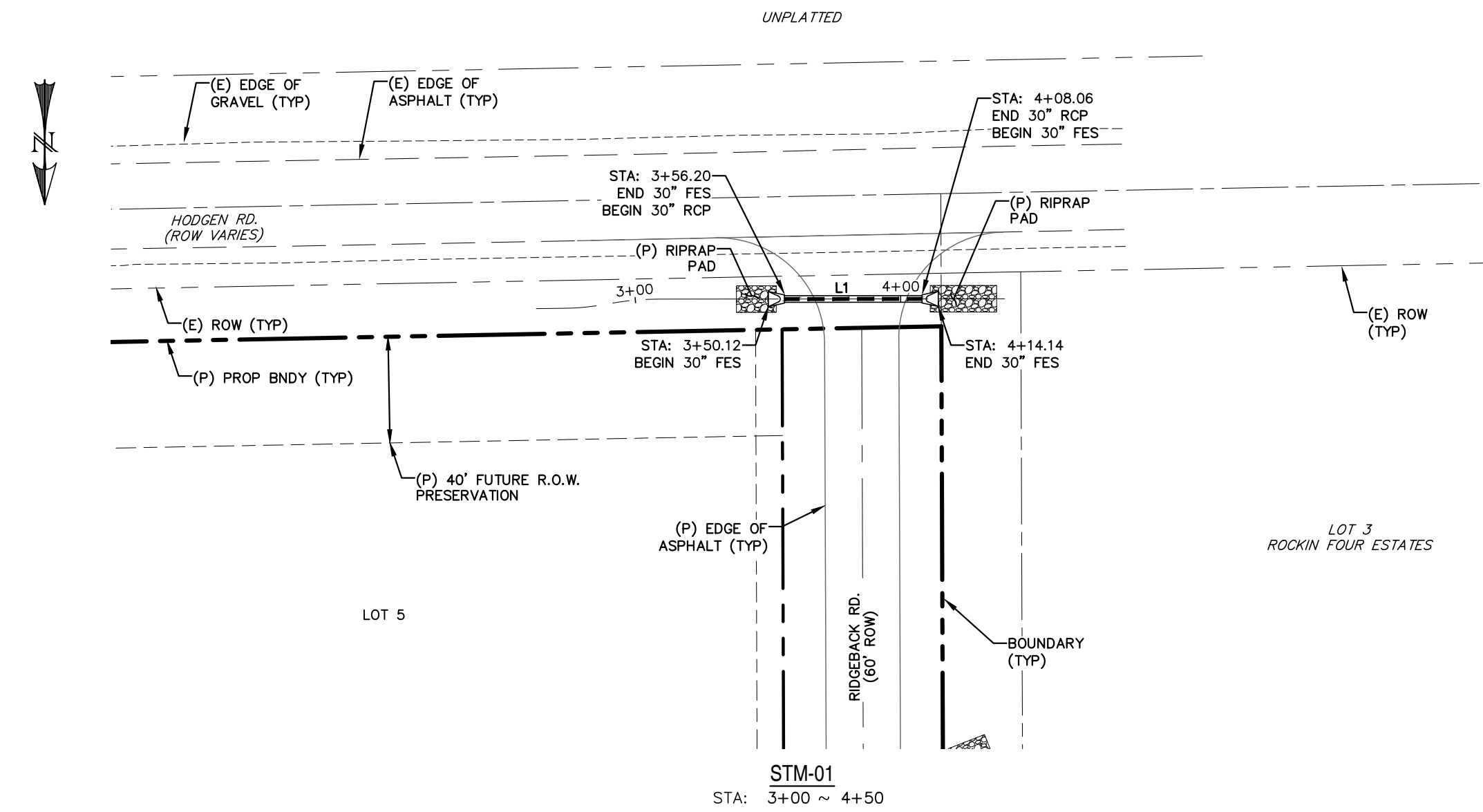
PREPARED UNDER MY DIRECT SUPERVISION FOR AND BEHALF OF CATAMOUNT ENGINEERING.
 DAVID L. MIJARES, COLORADO PE #40510 DATE



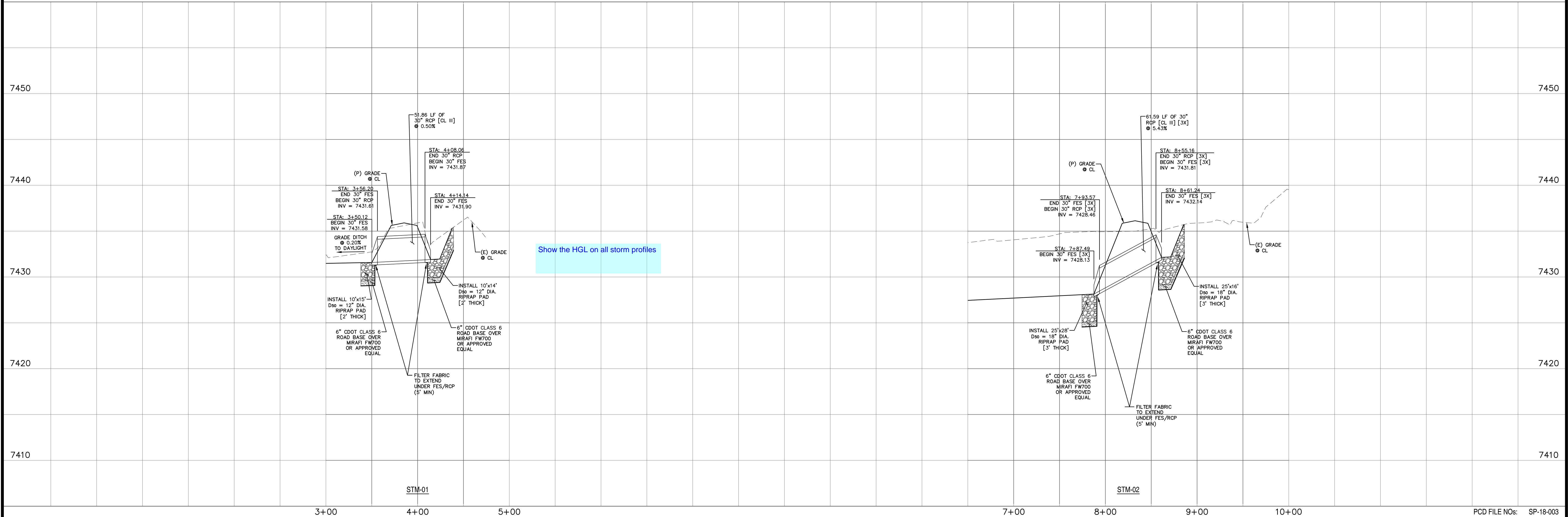
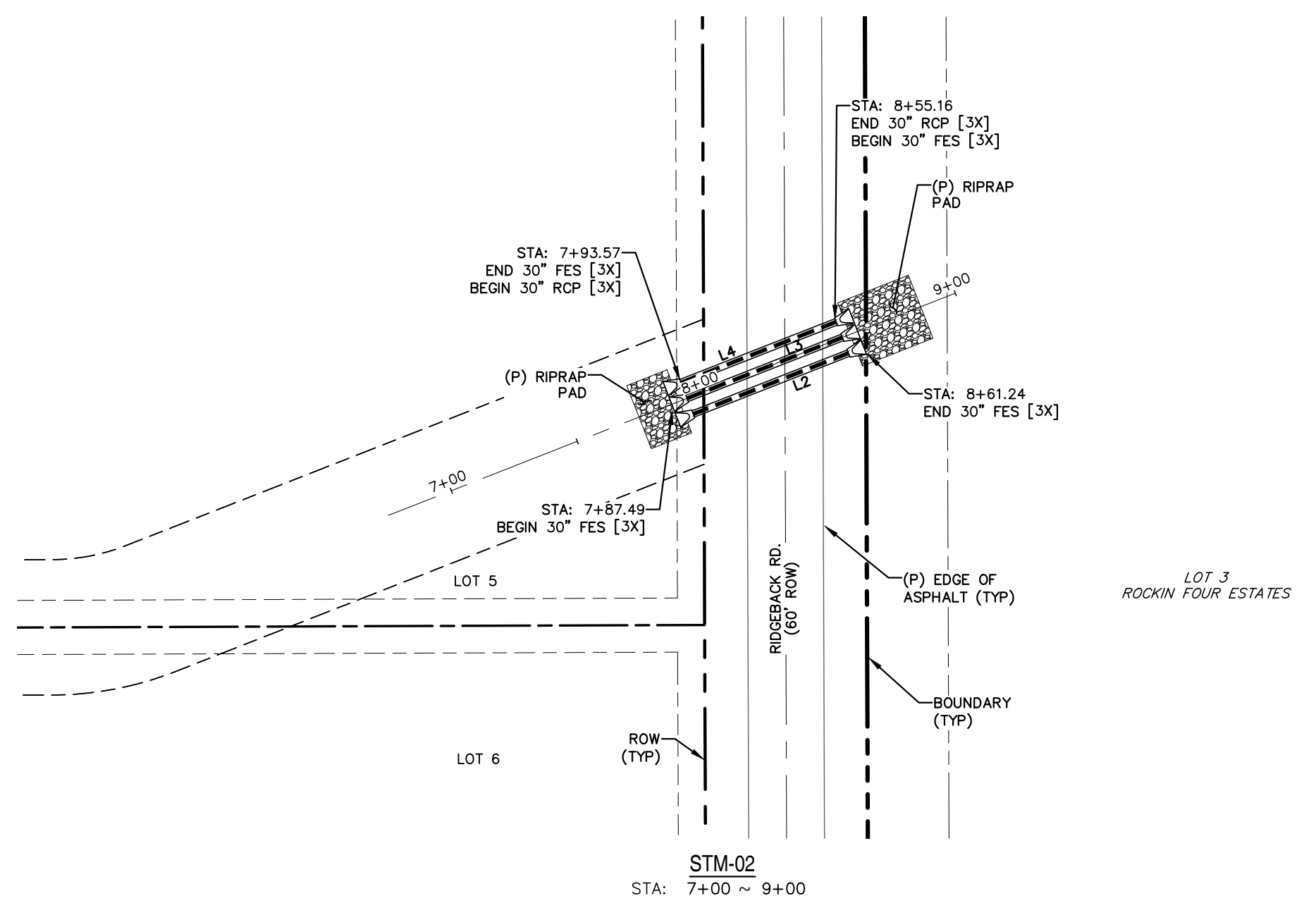
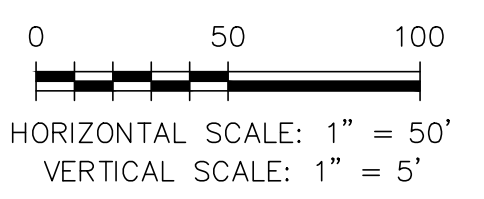
HIGH PLAINS FILING NO. 1
 RALEIGH ROAD
 STREET IMPROVEMENT
 PLAN & PROFILE

DESIGNED BY: DLM	DRAWN BY: DBM
SCALE: 1" = 50'	DATE: 10/16/18
JOB NUMBER: 17-135	SHEET: 5 OF 7

PCD FILE NOS: SP-18-003 SF-18-024



LINE	BEARING	DISTANCE
L1	S89° 56' 01.92"W	51.86
L2	S68° 35' 50.87"W	61.59
L3	S68° 35' 50.87"W	61.59
L4	S68° 35' 50.87"W	61.59



REV.	DESCRIPTION	DATE



PREPARED FOR:
SAVAGE DEVELOPMENT INC
 1125 DIAMOND RIM DR.
 COLORADO SPRINGS, CO 80921

PREPARED UNDER MY DIRECT SUPERVISION FOR AND BEHALF
 OF CATAMOUNT ENGINEERING.

DAVID L. MIJARES, COLORADO PE #40510 DATE



HIGH PLAINS FILING NO. 1

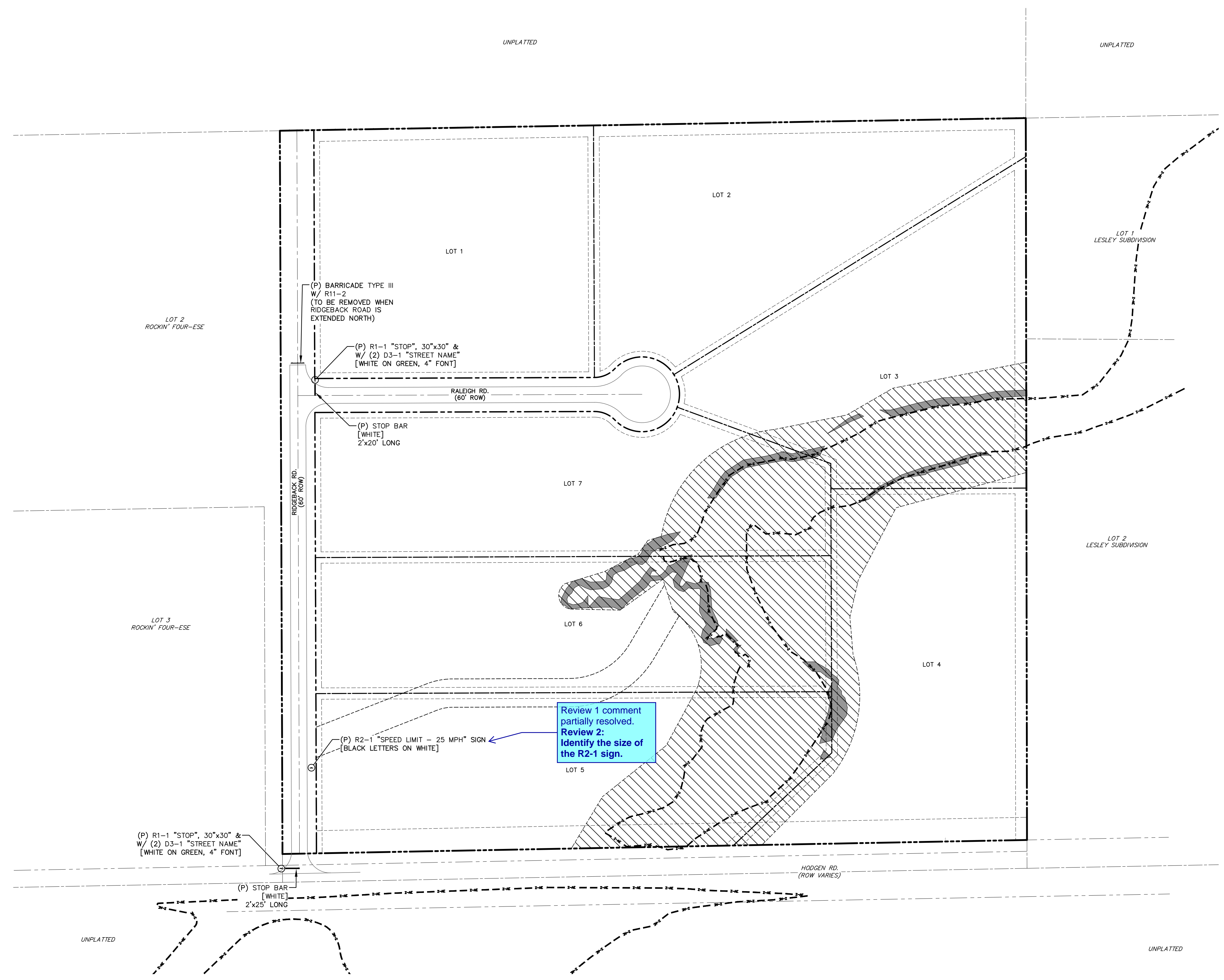
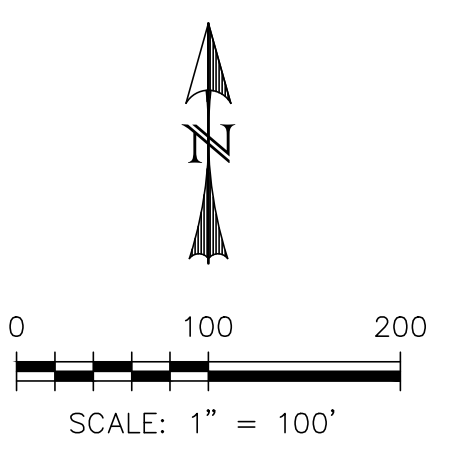
**STORM SEWER
 PLAN & PROFILE**

DESIGNED BY: DLM	DRAWN BY: DBM
SCALE: 1" = 50'	DATE: 10/16/18
JOB NUMBER: 17-135	SHEET: 6 OF 7

PCD FILE NOS: SP-18-003 SF-18-024

SIGNAGE & STRIPING NOTES:

- ALL SIGNS AND PAVEMENT MARKINGS SHALL BE IN COMPLIANCE WITH THE CURRENT MANUAL ON UNIFORM TRAFFIC CONTROL DEVICES (MUTCD).
- REMOVAL OF EXISTING PAVEMENT MARKINGS SHALL BE ACCOMPLISHED BY A METHOD THAT DOES NOT MATERIALLY DAMAGE THE PAVEMENT. THE PAVEMENT MARKINGS SHALL BE REMOVED TO THE EXTENT THAT THEY WILL NOT BE VISIBLE UNDER DAY OR NIGHT CONDITIONS. AT NO TIME WILL IT BE ACCEPTABLE TO PAINT OVER EXISTING PAVEMENT MARKINGS.
- ANY DEVIATION FROM THE STRIPING AND SIGNING PLAN SHALL BE APPROVED BY EL PASO COUNTY PLANNING AND COMMUNITY DEVELOPMENT.
- ALL SIGNS SHOWN ON THE SIGNING AND STRIPING PLAN SHALL BE NEW SIGNS. EXISTING SIGNS MAY REMAIN OR BE REUSED IF THEY MEET CURRENT EL PASO COUNTY AND MUTCD STANDARDS.
- STREET NAME AND REGULATORY STOP SIGNS SHALL BE ON THE SAME POST AT INTERSECTIONS.
- ALL REMOVED SIGNS SHALL BE DISPOSED OF IN A PROPER MANNER BY THE CONTRACTOR.
- ALL STREET NAME SIGNS SHALL HAVE "D" SERIES LETTERS, WITH LOCAL ROADWAY SIGNS BEING 4" UPPER-LOWER CASE LETTERING ON 8" BLANK AND NON-LOCAL ROADWAY SIGNS BEING 6" LETTERING, UPPER-LOWER CASE ON 12" BLANK, WITH 1/2" WHITE BORDER THAT IS NOT RECESSED. MULTI-LANE ROADWAYS WITH SPEED LIMITS OF 40 MPH OR HIGHER SHALL HAVE 8" UPPER-LOWER CASE LETTERING ON 18" BLANK WITH 1/2" WHITE BORDER THAT IS NOT RECESSED.
- ALL TRAFFIC SIGNS SHALL HAVE A MINIMUM HIGH INTENSITY PRISMATIC GRADE SHEETING.
- ALL LOCAL RESIDENTIAL STREET SIGNS SHALL BE MOUNTED ON A 1.75" X 1.75" SQUARE TUBE SIGN POST AND STUB POST BASE. FOR OTHER APPLICATIONS, REFER TO THE CDOT STANDARD S-614-8 REGARDING USE OF THE P2 TUBULAR STEEL POST SLIPBASE DESIGN.
- ALL SIGNS SHALL BE SINGLE SHEET ALUMINUM WITH 0.100" MINIMUM THICKNESS.
- ALL LIMIT LINES/STOP LINES, CROSSWALK LINES, PAVEMENT LEGENDS, AND ARROWS SHALL BE A MINIMUM 125 MIL THICKNESS PREFORMED THERMOPLASTIC PAVEMENT MARKINGS WITH TAPERED LEADING EDGES PER CDOT STANDARD S-627-1. WORD AND SYMBOL MARKINGS SHALL BE THE NARROW TYPE. STOP BARS SHALL BE 24" IN WIDTH. CROSSWALKS LINES SHALL BE 12" WIDE AND 8" LONG PER CDOT S-627-1.
- ALL LONGITUDINAL LINES SHALL BE A MINIMUM 15MIL THICKNESS EPOXY PAINT. ALL NON-LOCAL RESIDENTIAL ROADWAYS SHALL INCLUDE BOTH RIGHT AND LEFT EDGE LINE STRIPING AND ANY ADDITIONAL STRIPING AS REQUIRED BY CDOT S-627-1.
- THE CONTRACTOR SHALL NOTIFY EL PASO COUNTY PLANNING AND COMMUNITY DEVELOPMENT (719) 520-6819 PRIOR TO AND UPON COMPLETION OF SIGNING AND STRIPING.
- THE CONTRACTOR SHALL OBTAIN A WORK IN THE RIGHT OF WAY PERMIT FROM THE EL PASO DEPARTMENT OF PUBLIC WORKS (DPW) PRIOR TO ANY SIGNAGE OR STRIPING WORK WITHIN AN EXISTING EL PASO COUNTY ROADWAY.



PCD FILE NO: SP-18-003
SF-18-024

REV.	DESCRIPTION	DATE



PREPARED FOR:
SAVAGE DEVELOPMENT INC
1125 DIAMOND RIM DR.
COLORADO SPRINGS, CO 80921

PREPARED UNDER MY DIRECT SUPERVISION FOR AND BEHALF OF
CATAMOUNT ENGINEERING.



HIGH PLAINS FILING NO. 1

SIGNAGE & STRIPING PLAN

DESIGNED BY: DLM	DRAWN BY: DBM
SCALE: 1"=100'	DATE: 10/16/18
JOB NUMBER: 16-093	SHEET: 7 OF 7

DAVID L. MIJARES, COLORADO PE #40510 DATE