

CONSTRUCTION PLANS
FOR
**CARRIAGE MEADOW SOUTH AT
LORSON RANCH FILING NO. 2**
EARLY GRADING PLANS
AND DETAILED GRADING PLANS

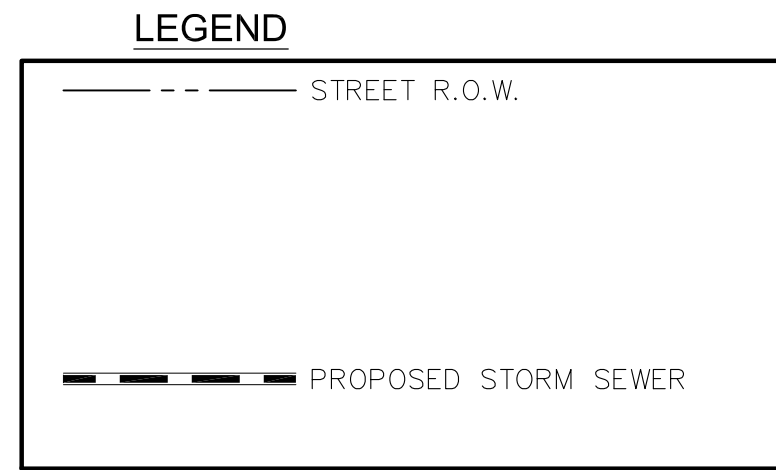


Know what's below.
Call before you dig.

CALL 2-BUSINESS DAYS IN ADVANCE
BEFORE YOU DIG, GRADE OR
EXCAVATE FOR THE MARKING OF
UNDERGROUND MEMBER UTILITIES

SHEET INDEX	
SHEET NO.	SHEET DESCRIPTION
CO.1	COVER SHEET
CO.2	NOTES
CO.3	TYPICAL SECTIONS
C4.1 ~ C4.8	DETAILED GRADING PLANS
C4.9 ~ C4.11	EARLY GRADING PLAN AND DETAILS

Engineering Review
08/23/2019 9:50:08 AM
dsdrice
JeffRice@elpaso.co.com
(719) 520-7877
EPC Planning & Community
Development Department



DEVELOPER'S STATEMENT

THE UNDERSIGNED OWNER/DEVELOPER HAS READ AND WILL COMPLY WITH ALL THE REQUIREMENTS SPECIFIED IN THESE CONSTRUCTION PLANS AND THE ACCOMPANYING DRAINAGE REPORT.

BUSINESS NAME LORSON, LLC

BY JEFF MARK DATE _____

TITLE MANAGER

ADDRESS 212 N. WAHSATCH AVE. SUITE 301
COLORADO SPRINGS, CO 80903

FIRE DISTRICT APPROVAL

THE NUMBER OF FIRE HYDRANTS AND HYDRANT LOCATIONS TOGETHER WITH THE MAIN SIZES INDICATED ON THIS WATER INSTALLATION PLAN ARE ADEQUATE TO SATISFY THE REQUIREMENTS OF THE SECURITY FIRE PROTECTION DISTRICT'S FIRE AND RESCUE DEPARTMENT. THIS APPROVAL IS BASED ON THE INFORMATION IN THESE PLANS, SPECIFICATIONS AND SUPPLEMENTAL INFORMATION PROVIDED BY THE DESIGN ENGINEER WHOSE SIGNATURE APPEARS IN THESE PLANS, AND THE WIDEFIELD WATER AND SANITATION DISTRICT.

SIGNED _____ DATE _____
BY FIRE PROTECTION CHIEF OR COORDINATOR

CONSTRUCTION APPROVAL

COUNTY PLAN REVIEW IS PROVIDED ONLY FOR GENERAL CONFORMANCE WITH COUNTY DESIGN CRITERIA. THE COUNTY IS NOT RESPONSIBLE FOR THE ACCURACY AND ADEQUACY OF THE DESIGN, DIMENSIONS, AND/OR ELEVATIONS WHICH SHALL BE CONFIRMED AT THE JOB SITE. THE COUNTY THROUGH THE APPROVAL OF THIS DOCUMENT ASSUMES NO RESPONSIBILITY FOR COMPLETENESS AND/OR ACCURACY OF THIS DOCUMENT.

FILED IN ACCORDANCE WITH THE REQUIREMENTS OF THE EL PASO COUNTY LAND DEVELOPMENT CODE, DRAINAGE CRITERIA MANUALS VOLUME 1 AND 2, AND ENGINEERING CRITERIA MANUAL AS AMENDED. IN ACCORDANCE WITH ECM SECTION 1.12, THESE CONSTRUCTION DOCUMENTS WILL BE VALID FOR CONSTRUCTION FOR A PERIOD OF 2 YEARS FROM THE DATE SIGNED BY THE EL PASO COUNTY ENGINEER. IF CONSTRUCTION HAS NOT STARTED WITHIN THOSE TWO YEARS THE PLANS WILL NEED TO BE RESUBMITTED FOR APPROVAL, INCLUDING PAYMENT OF REVIEW FEES AT THE PLANNING AND COMMUNITY DEVELOPMENT DIRECTOR'S DISCRETION

JENNIFER IRVINE, COUNTY ENGINEER/ECM ADMINISTRATOR DATE _____
CONDITIONS:

ENGINEER'S APPROVAL

THESE DETAILED PLANS AND SPECIFICATIONS WERE PREPARED UNDER MY DIRECTION AND SUPERVISION. SAID PLANS AND SPECIFICATIONS HAVE BEEN PREPARED ACCORDING TO THE CRITERIA ESTABLISHED BY THE COUNTY FOR DETAILED ROADWAY, DRAINAGE, GRADING AND EROSION CONTROL PLANS AND SPECIFICATIONS, AND SAID PLANS AND SPECIFICATIONS ARE IN CONFORMITY WITH APPLICABLE MASTER DRAINAGE PLANS AND MASTER TRANSPORTATION PLANS. SAID PLANS AND SPECIFICATIONS MEET THE PURPOSES FOR WHICH THE PARTICULAR ROADWAY AND DRAINAGE FACILITIES ARE DESIGNED AND ARE CORRECT TO THE BEST OF MY KNOWLEDGE AND BELIEF. I ACCEPT RESPONSIBILITY FOR ANY LIABILITY CAUSED BY ANY NEGLIGENT ACTS, ERRORS OR OMISSIONS ON MY PART IN PREPARATION OF THESE DETAILED PLANS AND SPECIFICATIONS.

RICHARD L. SCHINDLER, P.E. # 33997
FOR AND ON BEHALF OF CORE ENGINEERING GROUP

WATER / SANITARY
WIDEFIELD WATER AND SANITATION DISTRICT
8495 FONTAINE BLVD.
COLORADO SPRINGS, CO 80925
719-390-7111

CABLE
COMCAST
P.O. BOX 173838
DENVER, CO 80217
970-641-4774

ELECTRIC
MOUNTAIN VIEW ELECTRIC
11140 E. WOODMEN RD.
COLORADO SPRINGS, CO 80831
719-495-2283

SECURITY FIRE PROTECTION DISTRICT
400 SECURITY BOULEVARD
SECURITY, CO 80911
719-392-7121

PREPARED FOR:
LORSON, LLC
N. WAHSATCH AVE., SUITE 301
COLORADO SPRINGS, CO 80903
719-635-3200
CONTACT: JEFF MARK

PREPARED BY:
CORE ENGINEERING GROUP
15004 1ST AVENUE S.
BURNSVILLE, MN 55306
719-570-1100
CONTACT: RICHARD L. SCHINDLER P.E.

TELEPHONE
CENTURYLINK
7925 INDUSTRY ROAD
COLORADO SPRINGS, CO 80939
719-278-4651

GAS
BLACK HILLS ENGERGY
7060 ALLEGRE ST.
FOUNTAIN, CO 80817
719-393-6639

EL PASO COUNTY PLANNING AND COMMUNITY DEVELOPMENT
2880 INTERNATIONAL CIRCLE
COLORADO SPRINGS, CO 80910
719-520-6300

BASIS OF BEARING

BEARINGS ARE BASED ON THE SOUTH LINE OF THE NORTH HALF OF SECTION 23, TOWNSHIP 15 SOUTH, RANGE 65 WEST OF THE 6TH PRINCIPAL MERIDIAN AS BEING SOUTH 8941'52" WEST. THE EAST QUARTER CORNER OF SAID SECTION 23 IS A FOUND 3-1/2" ALUMINUM CAP MONUMENT AND THE WEST QUARTER CORNER OF SAID SECTION 23 IS A FOUND 2-1/2" ALUMINUM CAP MONUMENT

BENCHMARK

FIMS MONUMENT F204 LOCATED AT THE NORTHWEST CORNER OF FONTAINE BLVD AND COTTONWOOD GROVE DR. ELEVATION 5724.072 (N.G.V.D. 29)

TRAFFIC CONTROL NOTE

THE CONTRACTOR SHALL PROVIDE ALL TRAFFIC CONTROL DEVICES AND MONITORING NECESSARY TO SAFELY COMPLETE THE WORK SHOWN IN THESE CONSTRUCTION DOCUMENTS IN CONFORMANCE WITH M.U.T.C.D. GUIDELINES. THE CONTRACTOR SHALL COMPLETE ALL NECESSARY WORK FOR PLAN REVIEW, PERMITS AND PROCESSING. TRAFFIC CONTROL WILL NOT BE PAID SEPARATELY BUT IS INCLUDED IN THE COST OF THE PROJECT.

CORE ENGINEERING GROUP
15004 1ST AVENUE S.
BURNSVILLE, MN 55306
PH: 719-659-7800
CONTACT: RICHARD L. SCHINDLER, P.E.
EMAIL: Rich@ceg1.com

DATE _____
DESCRIPTION _____
NO. _____
PROJECT: CARRIAGE MEADOWS SOUTH AT LORSON RANCH FILING NO. 2
PREPARED FOR: LORSON, LLC
212 N. WAHSATCH AVE, SUITE 301
COLORADO SPRINGS, COLORADO 80903
CONTACT: JEFF MARK

DRAWN: RLS
DESIGNED: RLS
CHECKED: RLS

COVER SHEET
EARLY GRADING
AND EROSION CONTROL PLANS

DATE: JUNE 18, 2019
PROJECT NO. 100.046
SHEET NUMBER C0.1
TOTAL SHEETS: 14

CONSTRUCTION NOTES

- ALL WORK SHALL COMPLY WITH THE CODES AND POLICIES FOR EL PASO COUNTY.
- EXISTING TOPOGRAPHIC INFORMATION SHOWN ON THIS GRADING PLAN WAS OBTAINED FROM AERIAL CONTOURS AND PREVIOUS CONSTRUCTION DOCUMENTS. THE CONTRACTOR SHALL BE RESPONSIBLE TO EXAMINE THE SITE AND BE FAMILIAR WITH THE EXISTING CONDITIONS.
- DEPTH OF MOISTURE-DENSITY CONTROL FOR THIS PROJECT SHALL BE AS FOLLOWS:
BASE OF ALL CUTS AND FILLS - 12 INCHES,
FULL DEPTH OF ALL EMBANKMENTS
- THE CONTRACTOR IS RESPONSIBLE FOR THE RE-ESTABLISHMENT OF ALL SURVEY MONUMENTS DISTURBED WITHIN THE PROJECT LIMITS.
- THE CONTRACTOR SHALL PROTECT ALL WORK AREAS AND FACILITIES FROM FLOODING AT ALL TIMES. AREAS AND FACILITIES SUBJECT TO FLOODING, REGARDLESS OF THE SOURCE OF WATER, SHALL BE PROMPTLY DEWATERED AND RESTORED.
- PRIOR TO PAVING OPERATIONS, THE ENTIRE SUBGRADE SHALL BE PROOF-ROLLED WITH A LOADED 988 FRONT-END LOADER OR SIMILAR HEAVY RUBBER Tired VEHICLE (GVW OF 50,000 POUNDS WITH 18 KIP PER AXLE AT TIRE PRESSURES OF 90 PSI) TO DETECT ANY SOFT OR LOOSE AREAS. IN AREAS WHERE SOFT OR LOOSE SOILS, PUMPING OR EXCESSIVE MOVEMENT IS OBSERVED, THE EXPOSED MATERIALS SHALL BE OVER-EXCAVATED TO A MINIMUM DEPTH OF TWO FEET BELOW PROPOSED FINAL GRADE OR TO A DEPTH AT WHICH SOILS ARE STABLE. AFTER THIS HAS BEEN COMPLETED, THE EXPOSED MATERIALS SHALL BE SCARIFIED TO A DEPTH OF 12 INCHES AND MOISTURE CONDITIONED. THE SUBGRADE SHALL THEN BE UNIFORMLY COMPACTED TO A MINIMUM OF 95% OF STANDARD PROCTOR DENSITY (ASTM D-698) AT 0 TO +4.0% OF OPTIMUM MOISTURE CONTENT FOR A-6 AND A-7-6 SOILS ENCOUNTERED. OTHER SUBGRADE TYPES SHALL BE UNIFORMLY COMPACTED TO A MINIMUM OF 95% OF MODIFIED PROCTOR DENSITY (ASTM D-1557) AT PLUS OR MINUS 2.0% OF OPTIMUM MOISTURE CONTENT. AREAS WHERE STABLE NATURAL SOILS ARE ENCOUNTERED AT PROPOSED SUBGRADE ELEVATION SHALL ALSO BE SCARIFIED (18 INCHES FOR A-7-6 SOILS BELOW FULL-DEPTH ASPHALT CONCRETE) AND COMPACTED AS OUTLINED ABOVE PRIOR TO PAVING OPERATIONS. SUBGRADE FILL SHALL BE PLACED IN SIX-INCH LIFTS AND UNIFORMLY COMPACTED, MEETING THE REQUIREMENTS AS PREVIOUSLY DESCRIBED.
- SUBGRADE MATERIALS DEEMED UNSUITABLE BY THE ENGINEER SHALL BE EXCAVATED, DISPOSED OF AND REPLACED WITH APPROVED MATERIALS.
- FILL SHALL BE PLACED IN 8-INCH MAXIMUM LOOSE LIFTS AND SHALL BE COMPACTED PRIOR TO SUCCESSIVE LIFTS.
- THE CONTRACTOR IS RESPONSIBLE FOR PREVENTING AND CONTROLLING EROSION DURING CONSTRUCTION ACTIVITIES AT ALL TIMES DURING GRADING AND CONSTRUCTION. THE CONTRACTOR SHALL PROVIDE THE FOLLOWING EROSION AND SEDIMENT CONTROL MEASURES:
 - HAY BALE BARRIERS WHERE NEEDED AND/OR AS DIRECTED BY THE ENGINEER.
 - SILT FENCE WHERE NEEDED AND/OR AS DIRECTED BY THE ENGINEER.
 - TEMPORARY SEDIMENTATION BASINS WHERE NEEDED AND/OR AS DIRECTED BY THE ENGINEER.
 - MULCHING AND SEEDING OF EXCESSIVE SLOPED AREAS AS NEEDED OR AS DIRECTED BY THE ENGINEER.
 - TEMPORARY VEHICLE TRACKING CONTROL AS NEEDED AND/OR DIRECTED BY THE ENGINEER.
 - CONCRETE WASH AREAS.
 - INLET PROTECTION.
 THESE AND ALL EROSION CONTROL BEST MANAGEMENT PRACTICES AS SHOWN IN THE GRADING AND EROSION CONTROL PLANS SHALL BE STRICTLY ADHERED TO.
- FINISHED CONTOURS/SPOT ELEVATIONS SHOWN HEREON REPRESENT FINISHED GRADES. ALL PAVEMENT SUBGRADES ARE BASED ON THE COMPOSITE ASPHALT PAVEMENT RECOMMENDATIONS MADE IN THE "GEOTECHNICAL STUDY" FOR THIS PROJECT.

EL PASO COUNTY STANDARD CONSTRUCTION NOTES:

- ALL DRAINAGE AND ROADWAY CONSTRUCTION SHALL MEET THE STANDARDS AND SPECIFICATIONS OF THE CITY OF COLORADO SPRINGS/EL PASO COUNTY DRAINAGE CRITERIA MANUAL, VOLUMES 1 AND 2, AND THE EL PASO COUNTY ENGINEERING CRITERIA MANUAL.
- CONTRACTOR SHALL BE RESPONSIBLE FOR THE NOTIFICATION AND FIELD NOTIFICATION OF ALL EXISTING UTILITIES, WHETHER SHOWN ON THE PLANS OR NOT, BEFORE BEGINNING CONSTRUCTION. LOCATION OF EXISTING UTILITIES SHALL BE VERIFIED BY THE CONTRACTOR PRIOR TO CONSTRUCTION. CALL 811 TO CONTACT THE UTILITY NOTIFICATION CENTER OF COLORADO (UNCC).
- CONTRACTOR SHALL KEEP A COPY OF THESE APPROVED PLANS, THE GRADING AND EROSION CONTROL PLAN, THE STORMWATER MANAGEMENT PLAN (SWMP), THE SOILS AND GEOTECHNICAL REPORT, AND THE APPROPRIATE DESIGN AND CONSTRUCTION STANDARDS AND SPECIFICATIONS AT THE JOB SITE AT ALL TIMES, INCLUDING THE FOLLOWING:
 - EL PASO COUNTY ENGINEERING CRITERIA MANUAL (ECM)
 - CITY OF COLORADO SPRINGS/EL PASO COUNTY DRAINAGE CRITERIA MANUAL, VOLUMES 1 AND 2
 - COLORADO DEPARTMENT OF TRANSPORTATION (CDOT) STANDARD SPECIFICATIONS FOR ROAD AND BRIDGE CONSTRUCTION
 - CDOT M & S STANDARDS
- NOTWITHSTANDING ANYTHING DEPICTED IN THESE PLANS IN WORDS OR GRAPHIC REPRESENTATION, ALL DESIGN AND CONSTRUCTION RELATED TO ROADS, STORM DRAINAGE AND EROSION CONTROL SHALL CONFORM TO THE STANDARDS AND REQUIREMENTS OF THE MOST RECENT VERSION OF THE RELEVANT ADOPTED EL PASO COUNTY STANDARDS, INCLUDING THE LAND DEVELOPMENT CODE, THE ENGINEERING CRITERIA MANUAL, THE DRAINAGE CRITERIA MANUAL, AND THE DRAINAGE CRITERIA MANUAL VOLUME 2. ANY DEVIATIONS FROM REGULATIONS AND STANDARDS MUST BE REQUESTED, AND APPROVED, IN WRITING. ANY MODIFICATIONS NECESSARY TO MEET CRITERIA AFTER-THE-FACT WILL BE ENTIRELY THE DEVELOPER'S RESPONSIBILITY TO RECTIFY.
- IT IS THE DESIGN ENGINEER'S RESPONSIBILITY TO ACCURATELY SHOW EXISTING CONDITIONS, BOTH ONSITE AND OFFSITE, ON THE CONSTRUCTION PLANS. ANY MODIFICATIONS NECESSARY DUE TO CONFLICTS, OMISSIONS, OR CHANGED CONDITIONS WILL BE ENTIRELY THE DEVELOPER'S RESPONSIBILITY TO RECTIFY.
- CONTRACTOR SHALL SCHEDULE A PRE-CONSTRUCTION MEETING WITH EL PASO COUNTY PLANNING AND COMMUNITY DEVELOPMENT (PCD) - INSPECTIONS, PRIOR TO STARTING CONSTRUCTION.
- IT IS THE CONTRACTOR'S RESPONSIBILITY TO UNDERSTAND THE REQUIREMENTS OF ALL JURISDICTIONAL AGENCIES AND TO OBTAIN ALL REQUIRED PERMITS, INCLUDING BUT NOT LIMITED TO EL PASO COUNTY EROSION AND STORMWATER QUALITY CONTROL PERMIT (ESQCP), REGIONAL BUILDING FLOODPLAIN DEVELOPMENT PERMIT, U.S. ARMY CORPS OF ENGINEERS-ISSUED 401 AND/OR 404 PERMITS, AND COUNTY AND STATE FUGITIVE DUST PERMITS.
- CONTRACTOR SHALL NOT DEVIATE FROM THE PLANS WITHOUT FIRST OBTAINING WRITTEN APPROVAL FROM THE DESIGN ENGINEER AND DSD. CONTRACTOR SHALL NOTIFY THE DESIGN ENGINEER IMMEDIATELY UPON DISCOVERY OF ANY ERRORS OR INCONSISTENCIES.
- ALL STORM DRAIN PIPE SHALL BE CLASS III RCP UNLESS OTHERWISE NOTED AND APPROVED BY PCD.
- CONTRACTOR SHALL COORDINATE GEOTECHNICAL TESTING PER ECM STANDARDS. PAVEMENT DESIGN SHALL BE APPROVED BY EL PASO COUNTY PCD PRIOR TO PLACEMENT OF CURB AND GUTTER AND PAVEMENT.
- ALL CONSTRUCTION TRAFFIC MUST ENTER/EXIT THE SITE AT APPROVED CONSTRUCTION ACCESS POINTS.
- SIGHT VISIBILITY TRIANGLES AS IDENTIFIED IN THE PLANS SHALL BE PROVIDED AT ALL INTERSECTIONS. OBSTRUCTIONS GREATER THAN 18 INCHES ABOVE FLOWLINE ARE NOT ALLOWED WITHIN SIGHT TRIANGLES.
- SIGNING AND STRIPING SHALL COMPLY WITH EL PASO COUNTY PUBLIC WORK DEPARTMENT AND MUTCD CRITERIA.
- CONTRACTOR SHALL OBTAIN ANY PERMITS REQUIRED BY EL PASO COUNTY PWD, INCLUDING WORK WITHIN THE RIGHT-OF-WAY AND SPECIAL TRANSPORT PERMITS.
- THE LIMITS OF CONSTRUCTION SHALL REMAIN WITHIN THE PROPERTY LINE UNLESS OTHERWISE NOTED. THE OWNER/DEVELOPER SHALL OBTAIN WRITTEN PERMISSION AND EASEMENTS, WHERE REQUIRED, FROM ADJOINING PROPERTY OWNER(S) PRIOR TO ANY OFF-SITE DISTURBANCE, GRADING, OR CONSTRUCTION.

STANDARD NOTES FOR EL PASO COUNTY GRADING AND EROSION CONTROL PLANS

- CONSTRUCTION MAY NOT COMMENCE UNTIL A CONSTRUCTION PERMIT IS OBTAINED FROM PCD AND A PRECONSTRUCTION CONFERENCE IS HELD WITH PCD INSPECTIONS.
- STORMWATER DISCHARGES FROM CONSTRUCTION SITES SHALL NOT CAUSE OR THREATEN TO CAUSE POLLUTION, CONTAMINATION, OR DEGRADATION OF STATE WATERS. ALL WORK AND EARTH DISTURBANCE SHALL BE DONE IN A MANNER THAT MINIMIZES POLLUTION OF ANY ON-SITE OR OFF SITE WATERS, INCLUDING WETLANDS.
- NOTWITHSTANDING ANYTHING DEPICTED IN THESE PLANS IN WORDS OR GRAPHIC REPRESENTATION, ALL DESIGN AND CONSTRUCTION RELATED TO ROADS, STORM DRAINAGE AND EROSION CONTROL SHALL CONFORM TO THE STANDARDS AND REQUIREMENTS OF THE MOST RECENT VERSION OF THE RELEVANT ADOPTED EL PASO COUNTY STANDARDS, INCLUDING THE LAND DEVELOPMENT CODE, THE ENGINEERING CRITERIA MANUAL, THE DRAINAGE CRITERIA MANUAL, AND THE DRAINAGE CRITERIA MANUAL VOLUME 2. ANY DEVIATIONS FROM REGULATIONS AND STANDARDS MUST BE REQUESTED, AND APPROVED, IN WRITING.
- A SEPARATE STORMWATER MANAGEMENT PLAN (SWMP) FOR THIS PROJECT SHALL BE COMPLETED AND AN EROSION AND STORMWATER QUALITY CONTROL PERMIT (ESQCP) ISSUED PRIOR TO COMMENCING CONSTRUCTION. DURING CONSTRUCTION THE SWMP IS THE RESPONSIBILITY OF THE DESIGNATED STORMWATER MANAGER, SHALL BE LOCATED ON SITE AT ALL TIMES AND SHALL BE KEPT UP TO DATE WITH WORK PROGRESS AND CHANGES IN THE FIELD.
- ONCE THE ESQCP HAS BEEN ISSUED, THE CONTRACTOR MAY INSTALL THE INITIAL STAGE EROSION AND SEDIMENT CONTROL BMPS AS INDICATED ON THE GEC. A PRECONSTRUCTION MEETING BETWEEN THE CONTRACTOR, ENGINEER, AND EL PASO COUNTY WILL BE HELD PRIOR TO ANY CONSTRUCTION. IT IS THE RESPONSIBILITY OF THE APPLICANT TO COORDINATE THE MEETING TIME AND PLACE WITH COUNTY DSD INSPECTIONS STAFF.
- SOIL EROSION CONTROL MEASURES FOR ALL SLOPES, CHANNELS, DITCHES, OR ANY DISTURBED LAND AREA SHALL BE COMPLETED WITHIN 21 CALENDAR DAYS AFTER FINAL GRADING, OR FINAL EARTH DISTURBANCE HAS BEEN COMPLETED. DISTURBED AREAS AND STOCKPILES WHICH ARE NOT AT FINAL GRADE BUT WILL REMAIN DORMANT FOR LONGER THAN 30 DAYS SHALL ALSO BE MULCHED WITHIN 21 DAYS AFTER INTERIM GRADING. AN AREA THAT IS GOING TO REMAIN IN AN INTERIM STATE FOR MORE THAN 60 DAYS SHALL ALSO BE SEEDDED. ALL TEMPORARY SOIL EROSION CONTROL MEASURES AND BMPS SHALL BE MAINTAINED UNTIL PERMANENT SOIL EROSION CONTROL MEASURES ARE IMPLEMENTED AND ESTABLISHED.
- TEMPORARY SOIL EROSION CONTROL FACILITIES SHALL BE REMOVED AND EARTH DISTURBANCE AREAS GRADED AND STABILIZED WITH PERMANENT SOIL EROSION CONTROL MEASURES PURSUANT TO STANDARDS AND SPECIFICATION PRESCRIBED IN THE DCM VOLUME II AND THE ENGINEERING CRITERIA MANUAL (ECM) APPENDIX I.
- ALL PERSONS ENGAGED IN EARTH DISTURBANCE SHALL IMPLEMENT AND MAINTAIN ACCEPTABLE SOIL EROSION AND SEDIMENT CONTROL MEASURES INCLUDING BMPS IN CONFORMANCE WITH THE EROSION CONTROL TECHNICAL STANDARDS OF THE DRAINAGE CRITERIA MANUAL (DCM) VOLUME II AND IN ACCORDANCE WITH THE STORMWATER MANAGEMENT PLAN (SWMP).
- ALL TEMPORARY EROSION CONTROL FACILITIES INCLUDING BMPS AND ALL PERMANENT FACILITIES INTENDED TO CONTROL EROSION OF ANY EARTH DISTURBANCE OPERATIONS, SHALL BE INSTALLED AS DEFINED IN THE APPROVED PLANS, THE SWMP AND THE DCM VOLUME II AND MAINTAINED THROUGHOUT THE DURATION OF THE EARTH DISTURBANCE OPERATION.
- ANY EARTH DISTURBANCE SHALL BE CONDUCTED IN SUCH A MANNER SO AS TO EFFECTIVELY REDUCE ACCELERATED SOIL EROSION AND RESULTING SEDIMENTATION. ALL DISTURBANCES SHALL BE DESIGNED, CONSTRUCTED, AND COMPLETED SO THAT THE EXPOSED AREA OF ANY DISTURBED LAND SHALL BE LIMITED TO THE SHORTEST PRACTICAL PERIOD OF TIME.
- ANY TEMPORARY OR PERMANENT FACILITY DESIGNED AND CONSTRUCTED FOR THE CONVEYANCE OF STORMWATER AROUND, THROUGH, OR FROM THE EARTH DISTURBANCE AREA SHALL BE DESIGNED TO LIMIT THE DISCHARGE TO A NON-EROSIVE VELOCITY.
- CONCRETE WASH WATER SHALL BE CONTAINED AND DISPOSED OF IN ACCORDANCE WITH THE SWMP. NO WASH WATER SHALL BE DISCHARGED TO OR ALLOWED TO RUNOFF TO STATE WATERS, INCLUDING ANY SURFACE OR SUBSURFACE STORM DRAINAGE SYSTEM OR FACILITIES.
- EROSION CONTROL BLANKETING SHALL BE USED ON SLOPES STEEPER THAN 3:1.
- BUILDING, CONSTRUCTION, EXCAVATION, OR OTHER WASTE MATERIALS SHALL NOT BE TEMPORARILY PLACED OR STORED IN THE STREET, ALLEY, OR OTHER PUBLIC WAY, UNLESS IN ACCORDANCE WITH AN APPROVED TRAFFIC CONTROL PLAN. BMP'S MAY BE REQUIRED BY EL PASO COUNTY PCD IF DEEMED NECESSARY, BASED ON SPECIFIC CONDITIONS AND CIRCUMSTANCES.
- VEHICLE TRACKING OF SOILS AND CONSTRUCTION DEBRIS OFF-SITE SHALL BE MINIMIZED. MATERIALS TRACKED OFFSITE SHALL BE CLEANED UP AND PROPERLY DISPOSED OF IMMEDIATELY.
- CONTRACTOR SHALL BE RESPONSIBLE FOR THE REMOVAL OF ALL WASTES FROM THE CONSTRUCTION SITE FOR DISPOSAL IN ACCORDANCE WITH LOCAL AND STATE REGULATORY REQUIREMENTS. NO CONSTRUCTION DEBRIS, TREE SLASH, BUILDING MATERIAL WASTES OR UNUSED BUILDING MATERIALS SHALL BE BURIED, DUMPED, OR DISCHARGED AT THE SITE.
- THE OWNER, SITE DEVELOPER, CONTRACTOR, AND/OR THEIR AUTHORIZED AGENTS SHALL BE RESPONSIBLE FOR THE REMOVAL OF ALL CONSTRUCTION DEBRIS, DIRT, TRASH, ROCK, SEDIMENT, AND SAND THAT MAY ACCUMULATE IN THE STORM SEWER OR OTHER DRAINAGE CONVEYANCE SYSTEM AND STORMWATER APPURTENANCES AS A RESULT OF SITE DEVELOPMENT.
- THE QUANTITY OF MATERIALS STORED ON THE PROJECT SITE SHALL BE LIMITED, AS MUCH AS PRACTICAL, TO THAT QUANTITY REQUIRED TO PERFORM THE WORK IN AN ORDERLY SEQUENCE. ALL MATERIALS STORED ON-SITE SHALL BE STORED IN A NEAT, ORDERLY MANNER, IN THEIR ORIGINAL CONTAINERS, WITH ORIGINAL MANUFACTURER'S LABELS.
- NO CHEMICALS ARE TO BE USED BY THE CONTRACTOR, WHICH HAVE THE POTENTIAL TO BE RELEASED IN STORMWATER UNLESS PERMISSION FOR THE USE OF A SPECIFIC CHEMICAL IS GRANTED IN WRITING BY THE ECM ADMINISTRATOR. IN GRANTING THE USE OF SUCH CHEMICALS, SPECIAL CONDITIONS AND MONITORING MAY BE REQUIRED.
- BULK STORAGE STRUCTURES FOR PETROLEUM PRODUCTS AND OTHER CHEMICALS SHALL HAVE ADEQUATE PROTECTION SO AS TO CONTAIN ALL SPILLS AND PREVENT ANY SPILLED MATERIAL FROM ENTERING STATE WATERS, INCLUDING ANY SURFACE OR SUBSURFACE STORM DRAINAGE SYSTEM OR FACILITIES.
- NO PERSON SHALL CAUSE THE IMPEDIMENT OF STORMWATER FLOW IN THE FLOW LINE OF THE CURB AND GUTTER OR IN THE DITCHLINE.
- INDIVIDUALS SHALL COMPLY WITH THE "COLORADO WATER QUALITY CONTROL ACT" (TITLE 25, ARTICLE 8, CRS), AND THE "CLEAN WATER ACT" (33 USC 1344), IN ADDITION TO THE REQUIREMENTS INCLUDED IN THE DCM VOLUME II AND THE ECM APPENDIX I. ALL APPROPRIATE PERMITS MUST BE OBTAINED BY THE CONTRACTOR PRIOR TO CONSTRUCTION (NPDES, FLOODPLAIN, 404, FUGITIVE DUST, ETC.). IN THE EVENT OF CONFLICTS BETWEEN THESE REQUIREMENTS AND LAWS, RULES, OR REGULATIONS OF OTHER FEDERAL, STATE, OR COUNTY AGENCIES, THE MORE RESTRICTIVE LAWS, RULES, OR REGULATIONS SHALL APPLY.
- ALL CONSTRUCTION TRAFFIC MUST ENTER/EXIT THE SITE AT APPROVED CONSTRUCTION ACCESS POINTS.
- PRIOR TO ACTUAL CONSTRUCTION THE PERMITTEE SHALL VERIFY THE LOCATION OF EXISTING UTILITIES.
- A WATER SOURCE SHALL BE AVAILABLE ON SITE DURING EARTHWORK OPERATIONS AND UTILIZED AS REQUIRED TO MINIMIZE DUST FROM EARTHWORK EQUIPMENT AND WIND.
- THE SOILS REPORT FOR THIS SITE HAS BEEN PREPARED BY RMG AND SHALL BE CONSIDERED A PART OF THESE PLANS.
- AT LEAST TEN DAYS PRIOR TO THE ANTICIPATED START OF CONSTRUCTION, FOR PROJECTS THAT WILL DISTURB 1 ACRE OR MORE, THE OWNER OR OPERATOR OF CONSTRUCTION ACTIVITY SHALL SUBMIT A PERMIT APPLICATION FOR STORMWATER DISCHARGE TO THE COLORADO DEPARTMENT OF PUBLIC HEALTH AND ENVIRONMENT, WATER QUALITY DIVISION. THE APPLICATION CONTAINS CERTIFICATION OF COMPLETION OF A STORMWATER MANAGEMENT PLAN (SWMP), OF WHICH THIS GRADING AND EROSION CONTROL PLAN MAY BE A PART. FOR INFORMATION OR APPLICATION MATERIALS CONTACT:

COLORADO DEPARTMENT OF PUBLIC HEALTH AND ENVIRONMENT
WATER QUALITY CONTROL DIVISION
WQCD - PERMITS
4300 CHERRY CREEK DRIVE SOUTH
DENVER, CO 80246-1530
ATTN: PERMITS UNIT

[Update GEC notes](#)

CORE ENGINEERING GROUP
1500 WEST AVENUE, SUITE 200
DENVER, CO 80202
PH: 719-659-7800
CONTACT: RICHARD L. SCHINDLER, P.E.
EMAIL: Rich@cegi.com

DATE: _____
DESCRIPTION: _____
NO: _____
DRAWN: RLS
DESIGNED: RLS
CHECKED: RLS

PROJECT: CARRIAGE MEADOWS SOUTH AT LORSON RANCH FILING NO. 2
FONTAINE BLVD - CARRIAGE MEADOWS DR
COLORADO SPRINGS, COLORADO

PREPARED FOR: LORSON, LLC
212 N. WAHSATCH AVE, SUITE 301
COLORADO SPRINGS, COLORADO 80903
(719) 635-3200
CONTACT: JEFF MARK

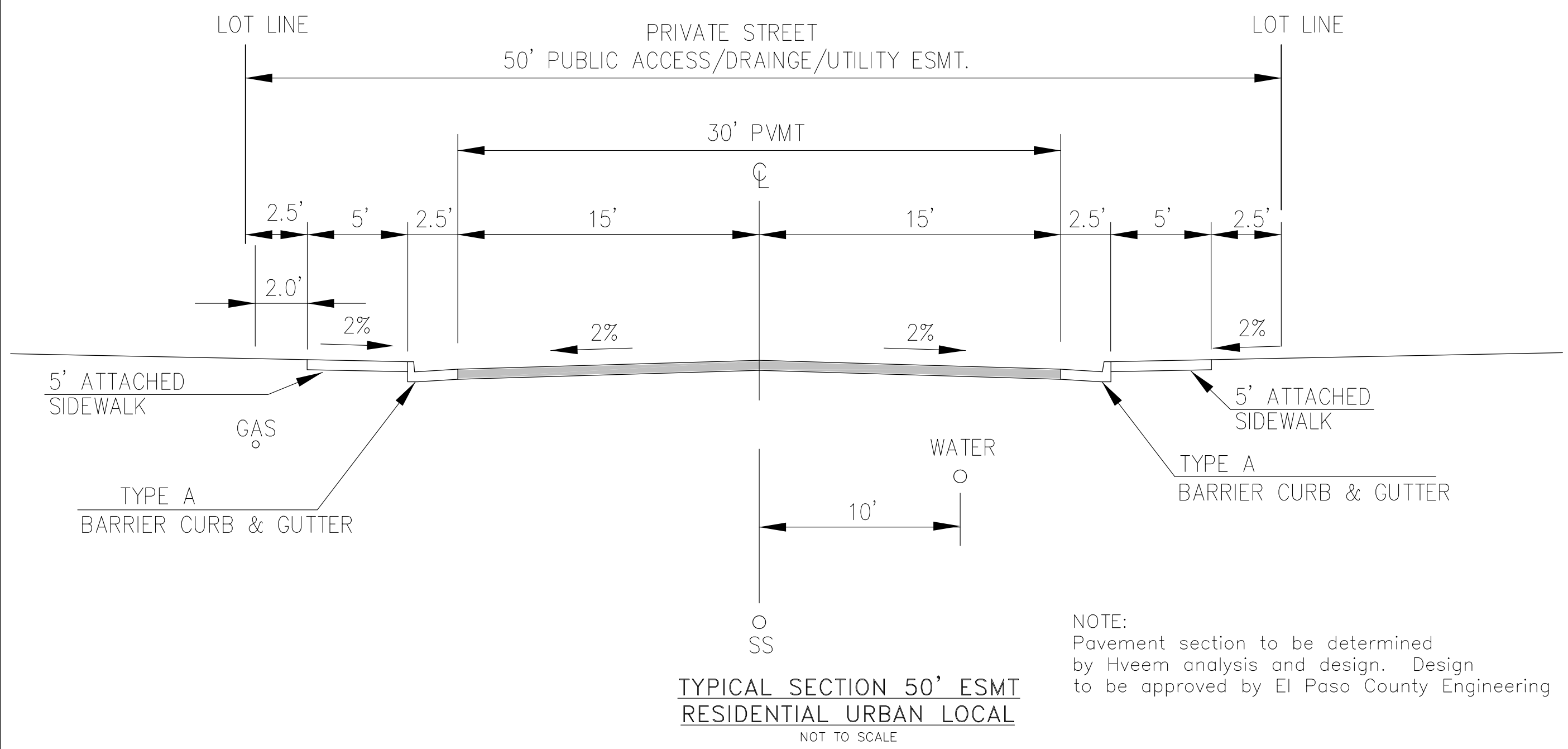
EARLY SITE GRADING AND EROSION CONTROL PLAN NOTES

DATE: JUNE 18, 2019

PROJECT NO. 100.046

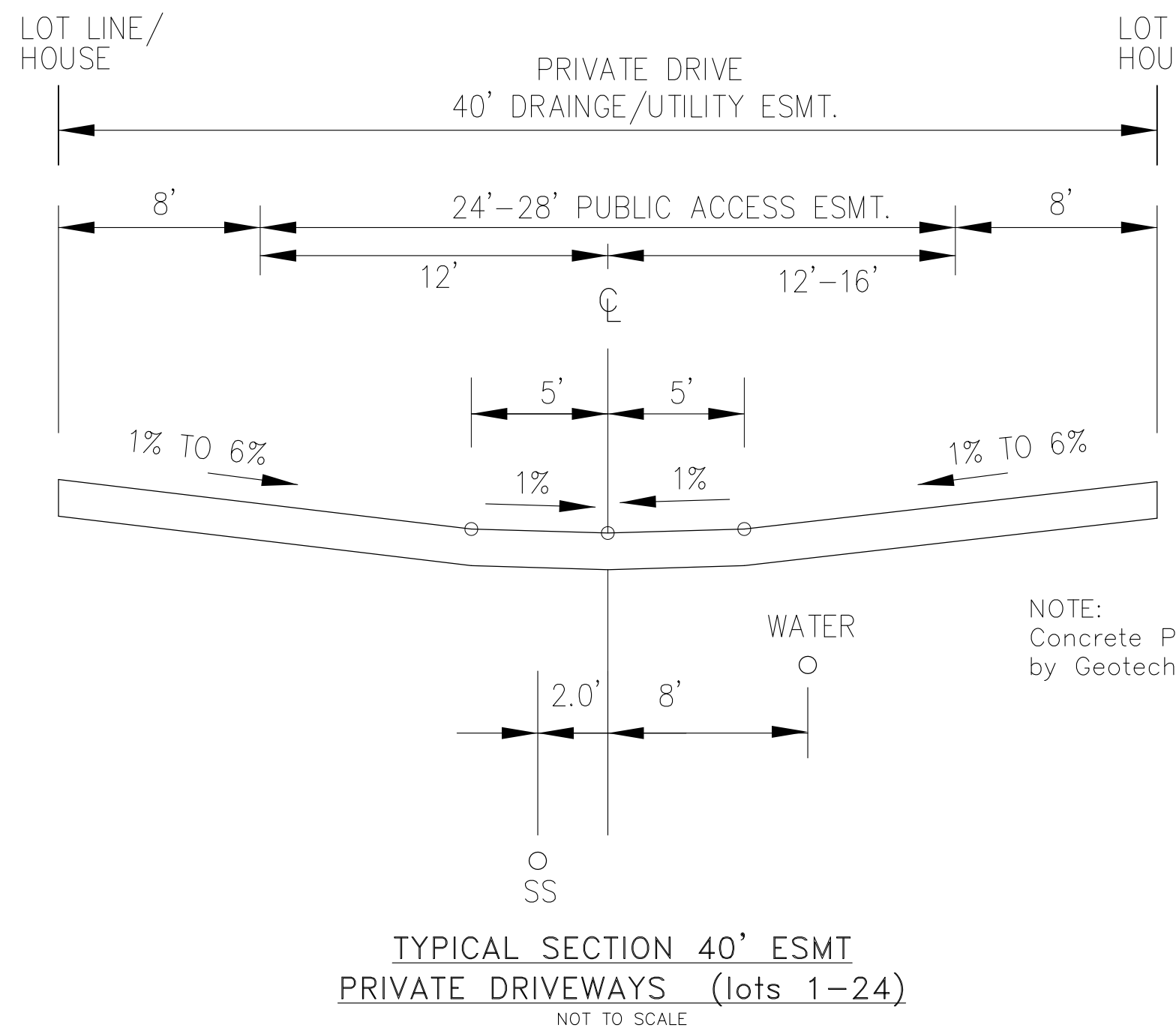
SHEET NUMBER C0.2

TOTAL SHEETS: 14



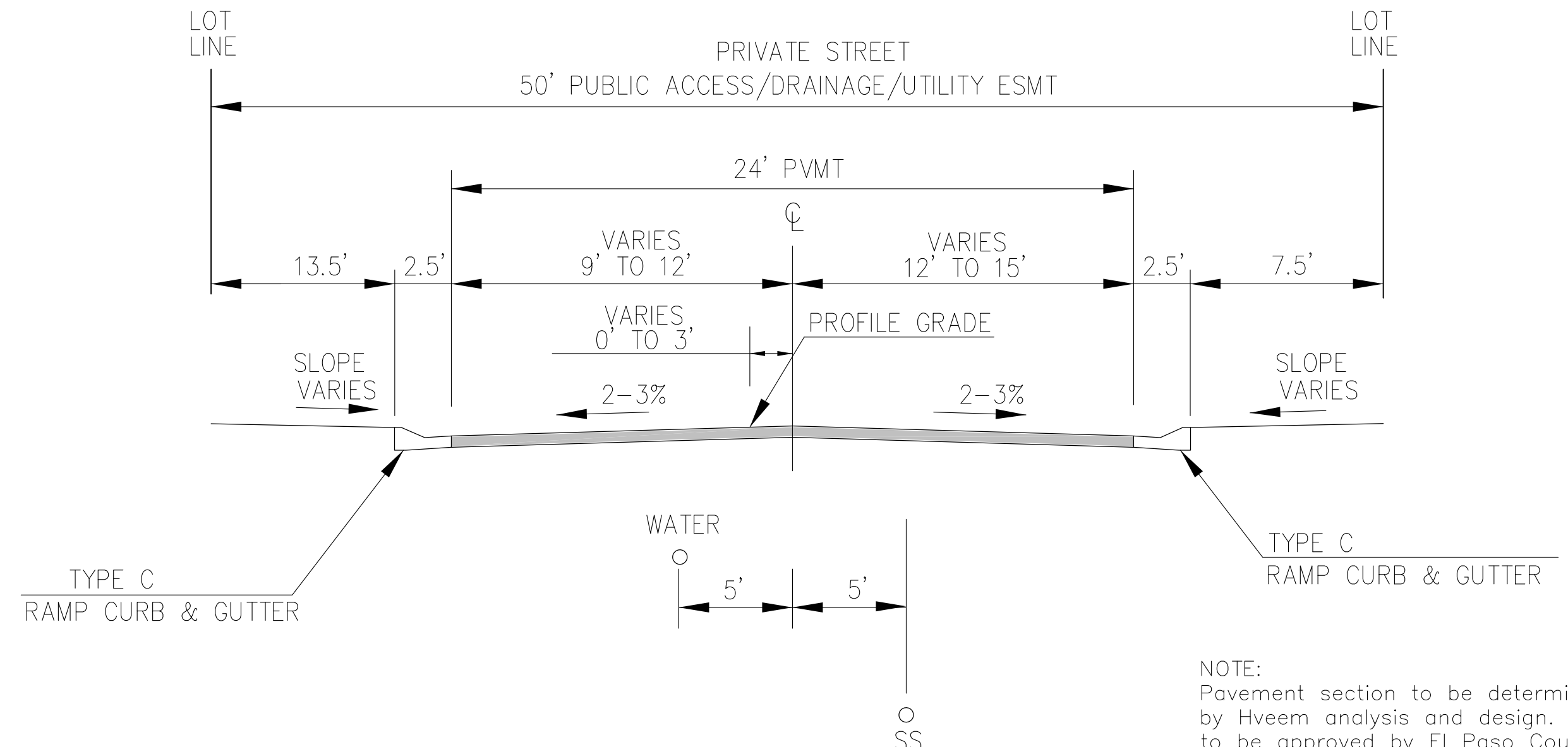
**TYPICAL SECTION 50' ESMT
RESIDENTIAL URBAN LOCAL**
NOT TO SCALE

RUBICON TRAIL (PRIVATE STREET) STA 0+98 TO 2+87
FIRESTEEL TRAIL (PRIVATE STREET)



**TYPICAL SECTION 40' ESMT
PRIVATE DRIVEWAYS (lots 1-24)**
NOT TO SCALE

TOLT TRAIL, PALUXY TRAIL, CHAGRIN TRAIL



**TYPICAL SECTION 50' ESMT
RESIDENTIAL URBAN LOCAL LOW VOLUME**
NOT TO SCALE

RUBICON TRAIL (STA 2+87 TO STA 7+38)
PRIVATE STREET

**CORE
ENGINEERING GROUP**
15004 1ST AVENUE S.
BURNSVILLE, MN 55306
PH: 719-659-7800
CONTACT: RICHARD L. SCHINDLER, P.E.
EMAIL: Rich@cegi.com

DATE: _____
DESCRIPTION: _____
NO. _____
PROJECT: CARRIAGE MEADOWS
SOUTH AT LORSON
RANCH FILING NO. 2
FONTAINE BLVD - CARRIAGE MEADOWS DR
COLORADO SPRINGS, COLORADO
PREPARED FOR: LORSON, LLC
212 N. WAHSATCH AVE, SUITE 301
COLORADO SPRINGS, COLORADO 80903
CONTACT: JEFF MARK

DRAWN: RLS
DESIGNED: RLS
CHECKED: RLS

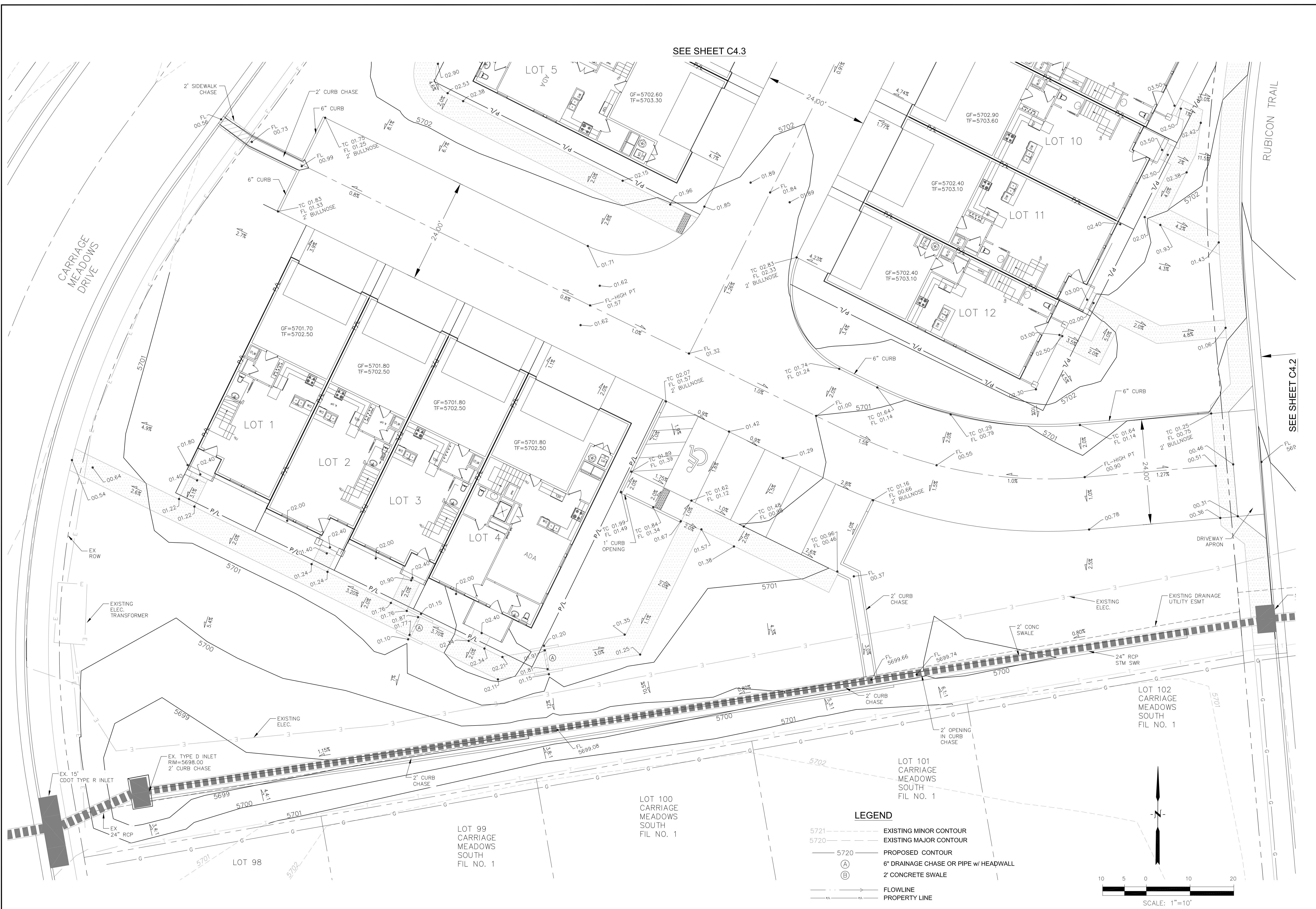
**TYPICAL STREET AND
DRIVEWAY SECTIONS**

DATE:
JUNE 18, 2019

PROJECT NO.
100.046

SHEET NUMBER
C0.3

TOTAL SHEETS: 14

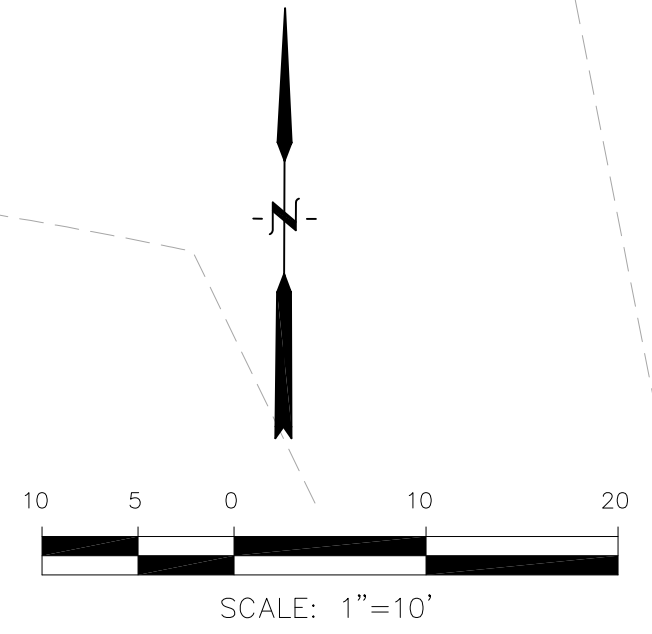


SEE SHEET C4.3

SEE SHEET C4.2

LEGEND

- 5721 - - - - - EXISTING MINOR CONTOUR
- 5720 - - - - - EXISTING MAJOR CONTOUR
- 5720 ——— PROPOSED CONTOUR
- (A) ——— 6" DRAINAGE CHASE OR PIPE w/ HEADWALL
- (B) ——— 2' CONCRETE SWALE
- FLOWLINE
- PROPERTY LINE



CORE ENGINEERING GROUP
 1515 AVENUE 13
 BOULDER, CO 80506
 PH: 719-659-7800
 CONTACT: RICHARD L. SCHINDLER, P.E.
 EMAIL: Rich@c4g.com

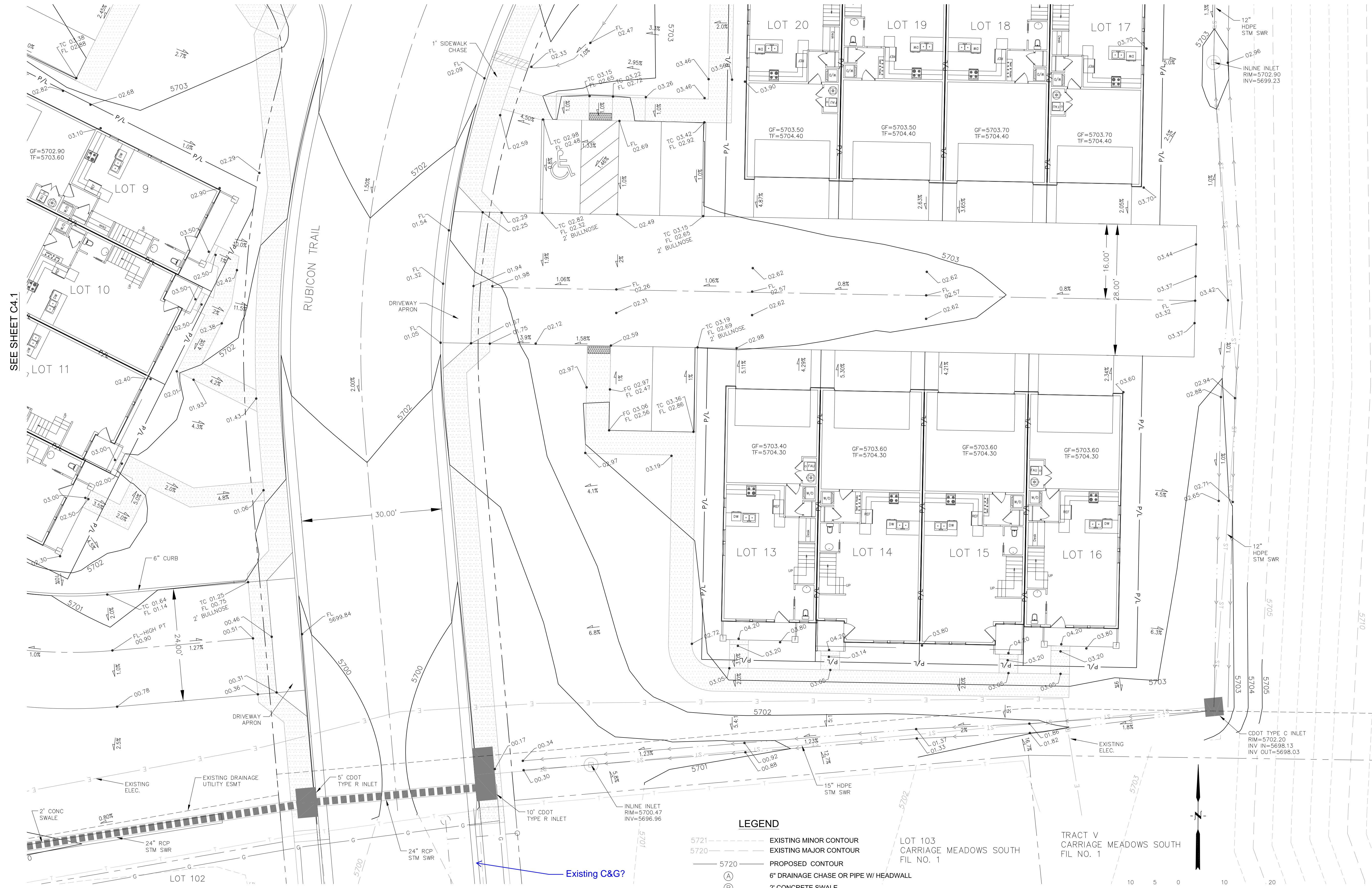
DATE: _____
 NO. _____
 DESCRIPTION: _____
 PREPARED FOR: **LORSON, LLC**
 212 N. WAHSATCH AVE, SUITE 301
 COLORADO SPRINGS, COLORADO 80903
 (719) 635-3200
 CONTACT: JEFF MARK

DRAWN: RLS
 DESIGNED: RLS
 CHECKED: RLS

**CARRIAGE MEADOWS SOUTH
 AT LORSON RANCH FIL. NO. 2
 DETAILED GRADING PLAN**

DATE: JUNE 18, 2019
 PROJECT NO. 100.046
 SHEET NUMBER **C4.1**
 TOTAL SHEETS: 14

SEE SHEET C4.4

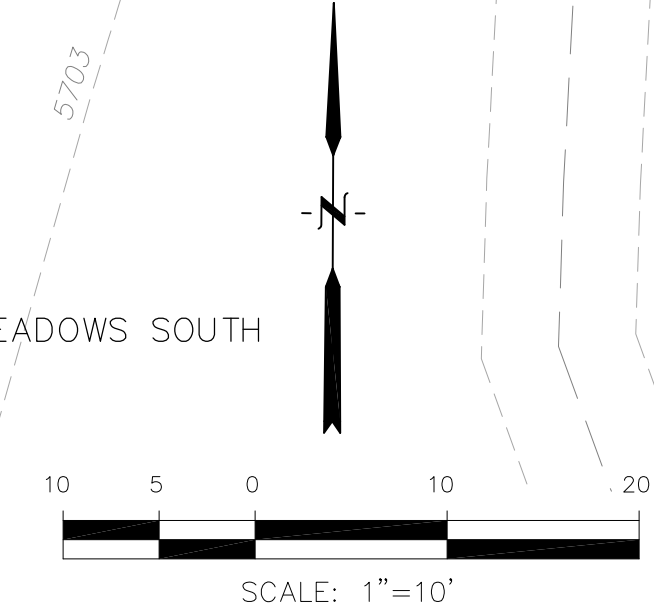


SEE SHEET C4.1

RUBICON DRIVE
SEE SF 17-011

Existing C&G?

- LEGEND**
- 5721 --- EXISTING MINOR CONTOUR
 - 5720 --- EXISTING MAJOR CONTOUR
 - PROPOSED CONTOUR
 - (A) --- 6" DRAINAGE CHASE OR PIPE W/ HEADWALL
 - (B) --- 2' CONCRETE SWALE
 - FLOWLINE
 - PROPERTY LINE



CORE ENGINEERING GROUP
 1500 S. AVENUE 15
 BOULDER, CO 80506
 PH: 719-459-7800
 CONTACT: RICHARD L. SCHINDLER, P.E.
 EMAIL: Rich@ceg1.com

DATE: _____
 DESCRIPTION: _____
 NO: _____

PROJECT: CARRIAGE MEADOWS SOUTH AT LORSON RANCH FILING NO. 2
 PREPARED FOR: LORSON, LLC
 212 N. WAHSATCH AVE, SUITE 301
 COLORADO SPRINGS, COLORADO 80903
 FONTAINE BLVD-CARRIAGE MEADOWS DR
 COLORADO SPRINGS, COLORADO
 CONTACT: JEFF MARK

DRAWN: RLS
 DESIGNED: RLS
 CHECKED: RLS

**CARRIAGE MEADOWS SOUTH
 AT LORSON RANCH FIL. NO. 2
 DETAILED GRADING PLAN**

DATE: JUNE 18, 2019
 PROJECT NO. 100.046
 SHEET NUMBER C4.2
 TOTAL SHEETS: 14

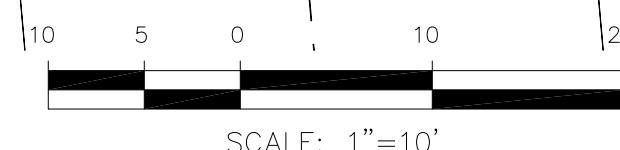
LEGEND

- 5721 - - - - - EXISTING MINOR CONTOUR
- 5720 - - - - - EXISTING MAJOR CONTOUR
- 5720 ——— PROPOSED CONTOUR
- (A) 6" DRAINAGE CHASE OR PIPE W/ HEADWALL
- (B) 2' CONCRETE SWALE
- FLOWLINE
- PA — PA — PROPERTY LINE

SEE SHEET C4.5



SEE SHEET C4.1



SEE SHEET C4.4

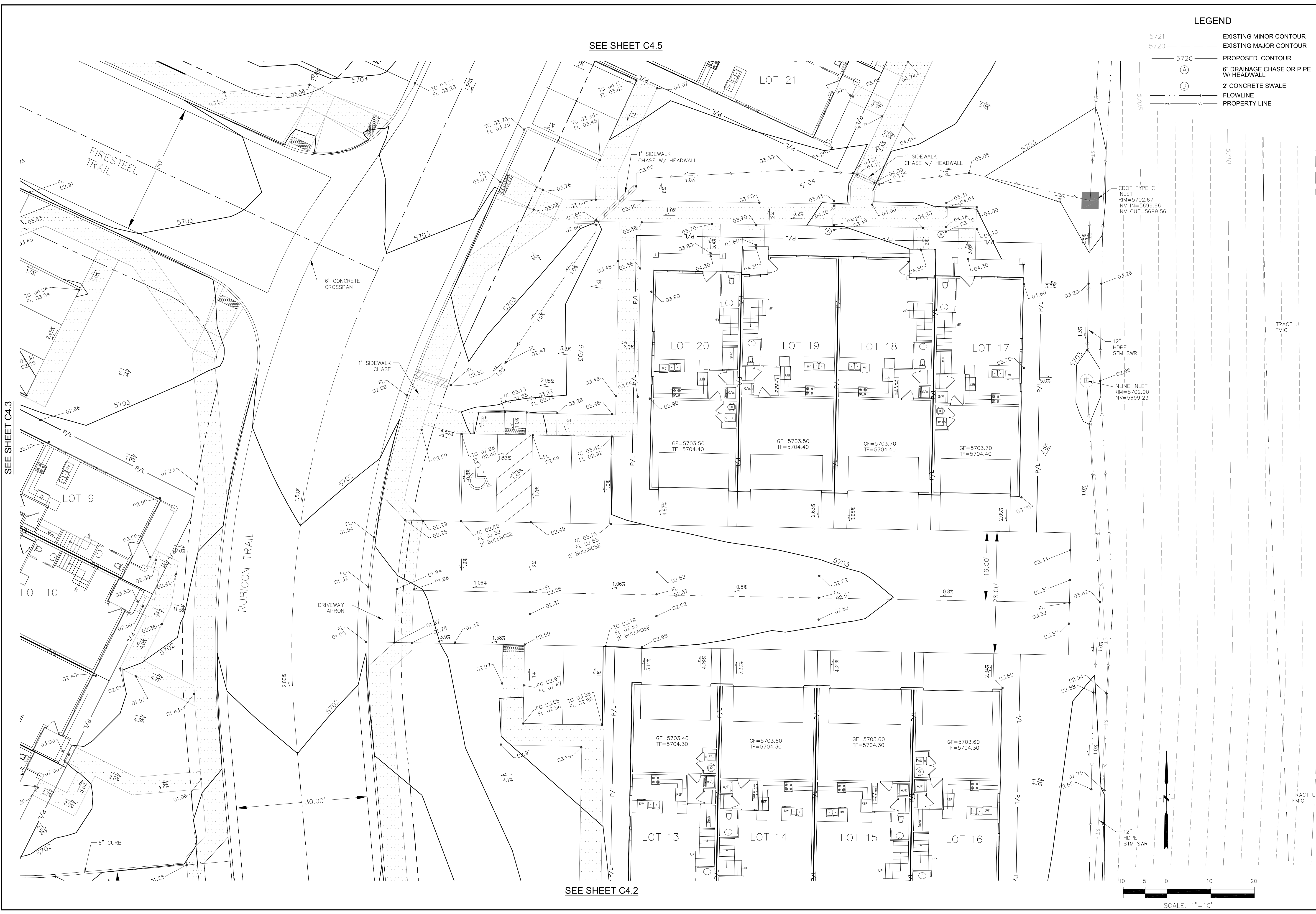
CORE ENGINEERING GROUP
 1500 S. AVENUE 103
 BOULDER, CO 80506
 PH: 719-659-7800
 CONTACT: RICHARD L. SCHINDLER, P.E.
 EMAIL: Rich@ceg1.com

DATE: _____
 NO. _____
 DESCRIPTION: _____
 PREPARED FOR: **LORSON, LLC**
 212 N. WAHSATCH AVE, SUITE 301
 COLORADO SPRINGS, COLORADO 80903
 PROJECT: **CARRIAGE MEADOWS SOUTH AT LORSON RANCH FILING NO. 2**
 FONTAINE BLVD-CARRIAGE MEADOWS DR
 COLORADO SPRINGS, COLORADO
 CONTACT: JEFF MARK

DRAWN: RLS
 DESIGNED: RLS
 CHECKED: RLS

CARRIAGE MEADOWS SOUTH AT LORSON RANCH FIL. NO. 2 DETAILED GRADING PLAN

DATE: JUNE 18, 2019
 PROJECT NO. 100.046
 SHEET NUMBER **C4.3**
 TOTAL SHEETS: 14



LEGEND

- 5721 --- EXISTING MINOR CONTOUR
- 5720 --- EXISTING MAJOR CONTOUR
- 5720 --- PROPOSED CONTOUR
- (A) --- 6" DRAINAGE CHASE OR PIPE w/ HEADWALL
- (B) --- 2' CONCRETE SWALE
- --- FLOWLINE
- P/L --- PROPERTY LINE

CORE ENGINEERING GROUP
 1500 AVENUE 105, SUITE 100
 BOULDER, CO 80501
 PH: 719-659-7800
 CONTACT: RICHARD L. SCHINDLER, P.E.
 EMAIL: Rich@cegi.com

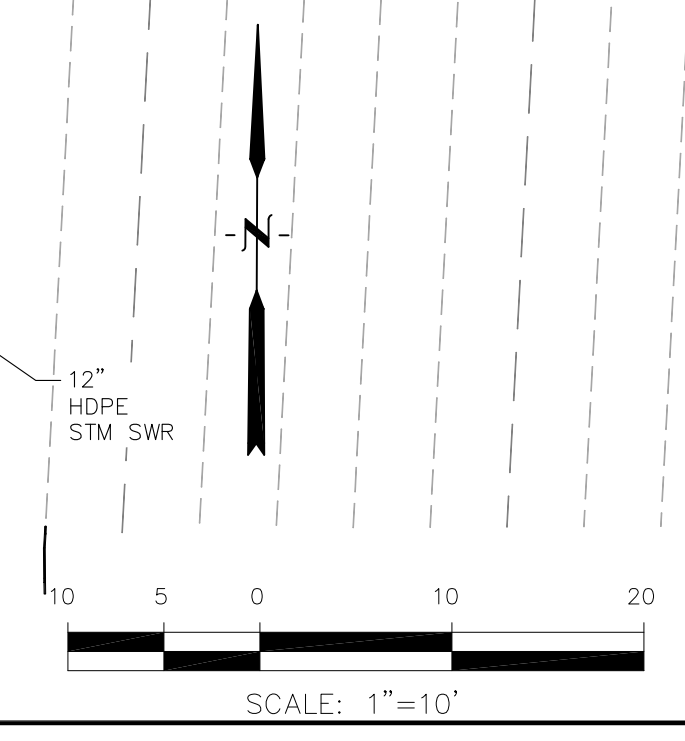
DATE: _____
 DESCRIPTION: _____
 NO: _____

PREPARED FOR:
LORSON, LLC
 212 N. WAHSATCH AVE, SUITE 301
 COLORADO SPRINGS, COLORADO 80903
 FONTAINE BLVD-CARRIAGE MEADOWS DR
 COLORADO SPRINGS, COLORADO
 CONTACT: JEFF MARK

DRAWN: RLS
 DESIGNED: RLS
 CHECKED: RLS

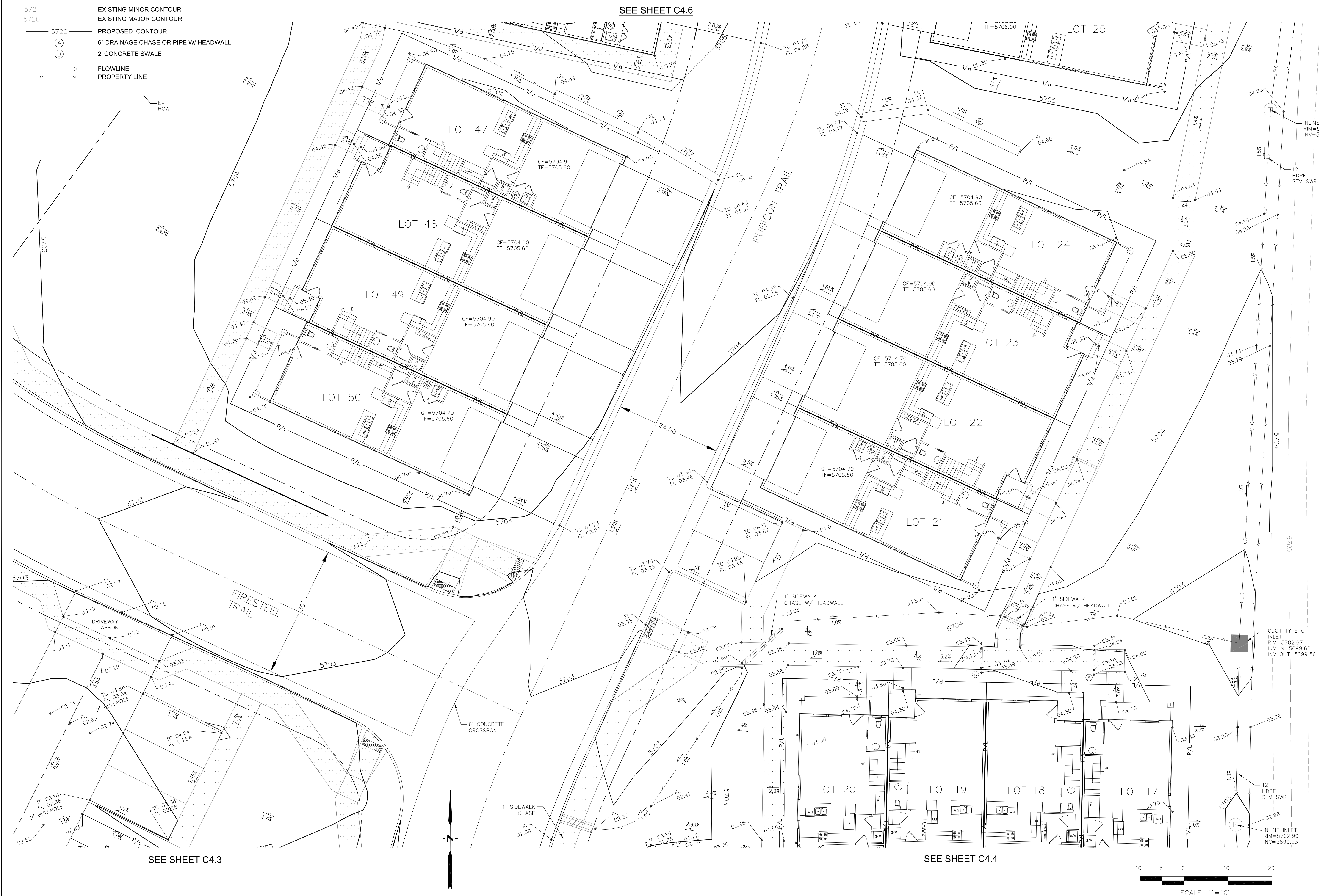
**CARRIAGE MEADOWS SOUTH
 AT LORSON RANCH FIL. NO. 2
 DETAILED GRADING PLAN**

DATE: JUNE 18, 2019
 PROJECT NO. 100.046
 SHEET NUMBER C4.4
 TOTAL SHEETS: 14



LEGEND

- 5721 - - - - - EXISTING MINOR CONTOUR
- 5720 - - - - - EXISTING MAJOR CONTOUR
- 5720 - - - - - PROPOSED CONTOUR
- (A) 6" DRAINAGE CHASE OR PIPE W/ HEADWALL
- (B) 2' CONCRETE SWALE
- FLOWLINE
- PROPERTY LINE



SEE SHEET C4.3

SEE SHEET C4.4

SEE SHEET C4.6

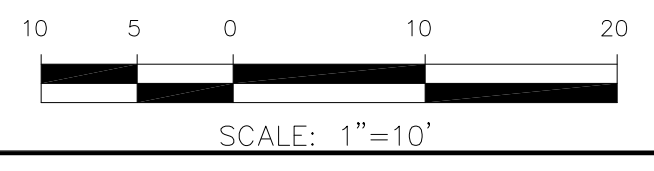
CORE ENGINEERING GROUP
 1500 S. AVENUE 103
 BOULDER, CO 80506
 PH: 719-459-7800
 CONTACT: RICHARD L. SCHINDLER, P.E.
 EMAIL: Rich@ceg1.com

DATE: _____
 NO. _____
 DESCRIPTION: _____
 PREPARED FOR: **LORSON, LLC**
 212 N. WAHSATCH AVE, SUITE 301
 COLORADO SPRINGS, COLORADO 80903
 PROJECT: **CARRIAGE MEADOWS SOUTH AT LORSON RANCH FILING NO. 2**
 FONTAINE BLVD-CARRIAGE MEADOWS DR
 COLORADO SPRINGS, COLORADO
 CONTACT: JEFF MARK

DRAWN: RLS
 DESIGNED: RLS
 CHECKED: RLS

CARRIAGE MEADOWS SOUTH AT LORSON RANCH FIL. NO. 2 DETAILED GRADING PLANS

DATE: JUNE 18, 2019
 PROJECT NO. 100.046
 SHEET NUMBER **C4.5**
 TOTAL SHEETS: 14



LEGEND

- 5721 - - - - - EXISTING MINOR CONTOUR
- 5720 - - - - - EXISTING MAJOR CONTOUR
- 5720 ——— PROPOSED CONTOUR
- (A) 6" DRAINAGE CHASE OR PIPE W/ HEADWALL
- (B) 2" CONCRETE SWALE
- FLOWLINE
- P/L — PROPERTY LINE

SEE SHEET C4.7



SEE SHEET C4.5

CORE ENGINEERING GROUP
 1500 S. AVENUE, SUITE 100
 COLORADO SPRINGS, CO 80903
 PH: 719-659-7800
 CONTACT: RICHARD L. SCHINDLER, P.E.
 EMAIL: Rich@c-eg1.com

PROJECT: CARRIAGE MEADOWS SOUTH AT LORSON RANCH FILING NO. 2
 PREPARED FOR: LORSON, LLC
 212 N. WAHSATCH AVE, SUITE 301
 COLORADO SPRINGS, COLORADO 80903
 FONTAINE BLVD - CARRIAGE MEADOWS DR
 COLORADO SPRINGS, COLORADO
 CONTACT: JEFF MARK

DRAWN: RLS
 DESIGNED: RLS
 CHECKED: RLS

CARRIAGE MEADOWS SOUTH AT LORSON RANCH FIL. NO. 2 DETAILED GRADING PLAN

DATE: JUNE 18, 2019
 PROJECT NO. 100.046
 SHEET NUMBER C4.6
 TOTAL SHEETS: 14

LEGEND

- 5721----- EXISTING MINOR CONTOUR
- 5720----- EXISTING MAJOR CONTOUR
- 5720----- PROPOSED CONTOUR
- (A) 6" DRAINAGE CHASE OR PIPE W/ HEADWALL
- (B) 2' CONCRETE SWALE
- FLOWLINE
- PROPERTY LINE

SEE SHEET C4.8



SEE SHEET C4.6

CORE ENGINEERING GROUP
 1500 S. AVENUE 103
 BOULDER, CO 80506
 PH: 719-659-7800
 CONTACT: RICHARD L. SCHINDLER, P.E.
 EMAIL: Rich@ceg.com

DATE: _____
 DESCRIPTION: _____
 NO: _____

PREPARED FOR:
LORSON, LLC
 212 N. WAHSATCH AVE, SUITE 301
 COLORADO SPRINGS, COLORADO 80903
 FONTAINE BLVD-CARRIAGE MEADOWS DR
 COLORADO SPRINGS, COLORADO
 CONTACT: JEFF MARK

DRAWN: RLS
 DESIGNED: RLS
 CHECKED: RLS

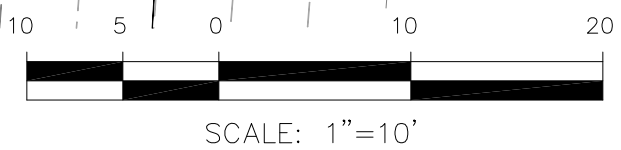
**CARRIAGE MEADOWS SOUTH
 AT LORSON RANCH FIL. NO. 2
 DETAILED GRADING PLAN**

DATE:
 JUNE 18, 2019

PROJECT NO.
 100.046

SHEET NUMBER
C4.7

TOTAL SHEETS: 14



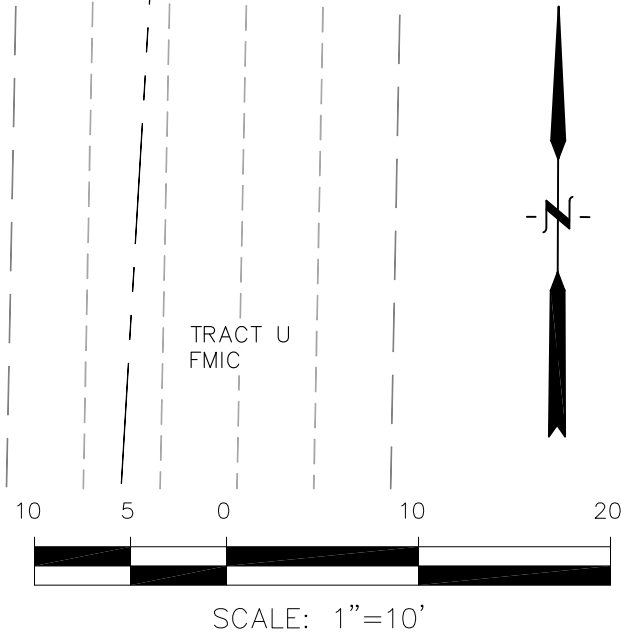
LEGEND

- 5721 - - - - - EXISTING MINOR CONTOUR
- 5720 - - - - - EXISTING MAJOR CONTOUR
- 5720 ——— PROPOSED CONTOUR
- (A) 6" DRAINAGE CHASE OR PIPE W/ HEADWALL
- (B) 2' CONCRETE SWALE
- FLOWLINE
- MA — MA — PROPERTY LINE

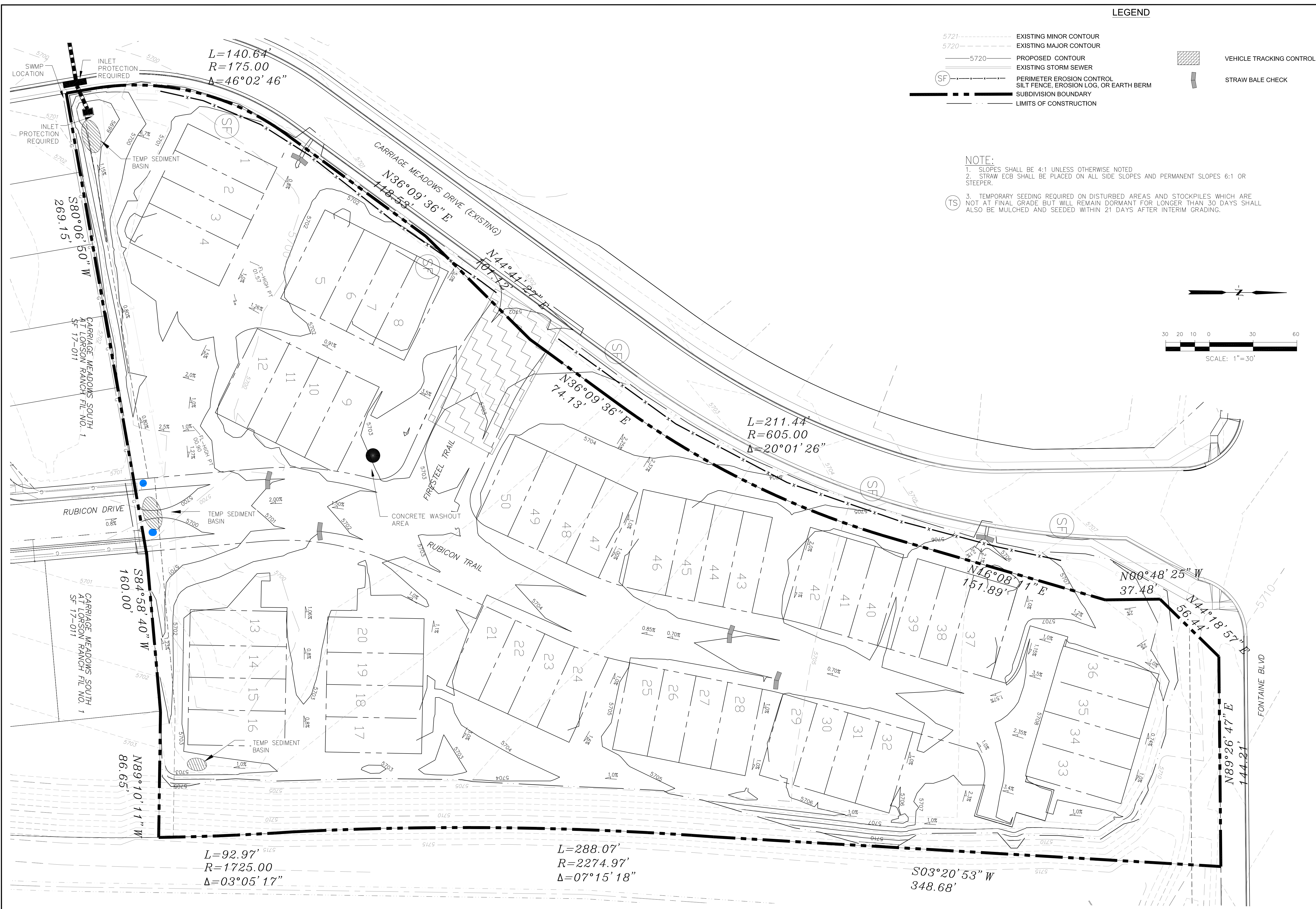
See other comments regarding completion of Carriage Meadows Drive.



SEE SHEET C4.7



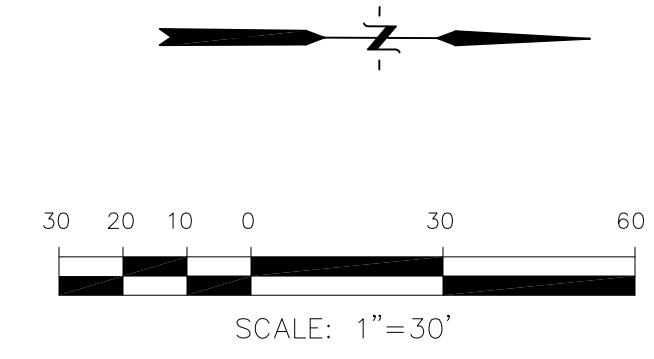
CORE ENGINEERING GROUP													
1515 AVENUE 135, BOULDER, CO 80501, PH: 719-459-7800, CONTACT: RICHARD L. SCHINDLER, P.E. EMAIL: Rich@ceg1.com													
<table border="1" style="width: 100%; border-collapse: collapse;"> <tr> <th style="width: 10%;">NO.</th> <th style="width: 80%;">DESCRIPTION</th> <th style="width: 10%;">DATE</th> </tr> <tr> <td> </td> <td> </td> <td> </td> </tr> </table>	NO.	DESCRIPTION	DATE				<table border="1" style="width: 100%; border-collapse: collapse;"> <tr> <td style="font-size: small;">PROJECT: CARRIAGE MEADOWS SOUTH AT LORSON RANCH FILING NO. 2</td> <td style="font-size: small;">PREPARED FOR: LORSON, LLC</td> </tr> <tr> <td style="font-size: small;">FONTAINE BLVD-CARRIAGE MEADOWS DR COLORADO SPRINGS, COLORADO</td> <td style="font-size: small;">212 N. WAHSATCH AVE, SUITE 301 COLORADO SPRINGS, COLORADO 80903</td> </tr> <tr> <td style="font-size: small;">CONTACT: JEFF MARK</td> <td style="font-size: small;">CONTACT: RICHARD L. SCHINDLER, P.E.</td> </tr> </table>	PROJECT: CARRIAGE MEADOWS SOUTH AT LORSON RANCH FILING NO. 2	PREPARED FOR: LORSON, LLC	FONTAINE BLVD-CARRIAGE MEADOWS DR COLORADO SPRINGS, COLORADO	212 N. WAHSATCH AVE, SUITE 301 COLORADO SPRINGS, COLORADO 80903	CONTACT: JEFF MARK	CONTACT: RICHARD L. SCHINDLER, P.E.
NO.	DESCRIPTION	DATE											
PROJECT: CARRIAGE MEADOWS SOUTH AT LORSON RANCH FILING NO. 2	PREPARED FOR: LORSON, LLC												
FONTAINE BLVD-CARRIAGE MEADOWS DR COLORADO SPRINGS, COLORADO	212 N. WAHSATCH AVE, SUITE 301 COLORADO SPRINGS, COLORADO 80903												
CONTACT: JEFF MARK	CONTACT: RICHARD L. SCHINDLER, P.E.												
DRAWN: RLS, DESIGNED: RLS, CHECKED: RLS													
<p>CARRIAGE MEADOWS SOUTH AT LORSON RANCH FIL. NO. 2 GRADING AND EROSION CONTROL PLAN</p>													
DATE: JUNE 18, 2019													
PROJECT NO. 100.046													
SHEET NUMBER C4.8													
TOTAL SHEETS: 14													



LEGEND

- 5721----- EXISTING MINOR CONTOUR
- 5720----- EXISTING MAJOR CONTOUR
- 5720----- PROPOSED CONTOUR
- EXISTING STORM SEWER
- (SF)----- PERIMETER EROSION CONTROL
SILT FENCE, EROSION LOG, OR EARTH BERM
- SUBDIVISION BOUNDARY
- LIMITS OF CONSTRUCTION
- [Hatched Box] VEHICLE TRACKING CONTROL
- [Line with Tick] STRAW BALE CHECK

- NOTE:**
1. SLOPES SHALL BE 4:1 UNLESS OTHERWISE NOTED
 2. STRAW ECB SHALL BE PLACED ON ALL SIDE SLOPES AND PERMANENT SLOPES 6:1 OR STEEPER.
 3. TEMPORARY SEEDING REQUIRED ON DISTURBED AREAS AND STOCKPILES WHICH ARE NOT AT FINAL GRADE BUT WILL REMAIN DORMANT FOR LONGER THAN 30 DAYS SHALL ALSO BE MULCHED AND SEEDED WITHIN 21 DAYS AFTER INTERIM GRADING.



CORE ENGINEERING GROUP
 1515 AVENUE S,
 BOULDER, CO 80506
 PH: 719-459-7800
 CONTACT: RICHARD L. SCHINDLER, P.E.
 EMAIL: Rich@ceg1.com

DATE: _____
 DESCRIPTION: _____
 NO: _____
 PREPARED FOR: **LORSON, LLC**
 212 N. WAHSATCH AVE, SUITE 301
 COLORADO SPRINGS, COLORADO 80903
 PROJECT: **CARRIAGE MEADOWS SOUTH AT LORSON RANCH FILING NO. 2**
 FONTAINE BLVD-CARRIAGE MEADOWS DR
 COLORADO SPRINGS, COLORADO
 CONTACT: JEFF MARK

DRAWN: RLS
 DESIGNED: RLS
 CHECKED: RLS

**CARRIAGE MEADOWS SOUTH
 AT LORSON RANCH FIL. NO. 2
 GRADING AND EROSION CONTROL PLAN**

DATE: **JUNE 18, 2019**
 PROJECT NO: **100.046**
 SHEET NUMBER: **C4.9**
 TOTAL SHEETS: 14

$L=140.64'$
 $R=175.00$
 $\Delta=46^{\circ}02'46''$

$L=211.44'$
 $R=605.00$
 $\Delta=20^{\circ}01'26''$

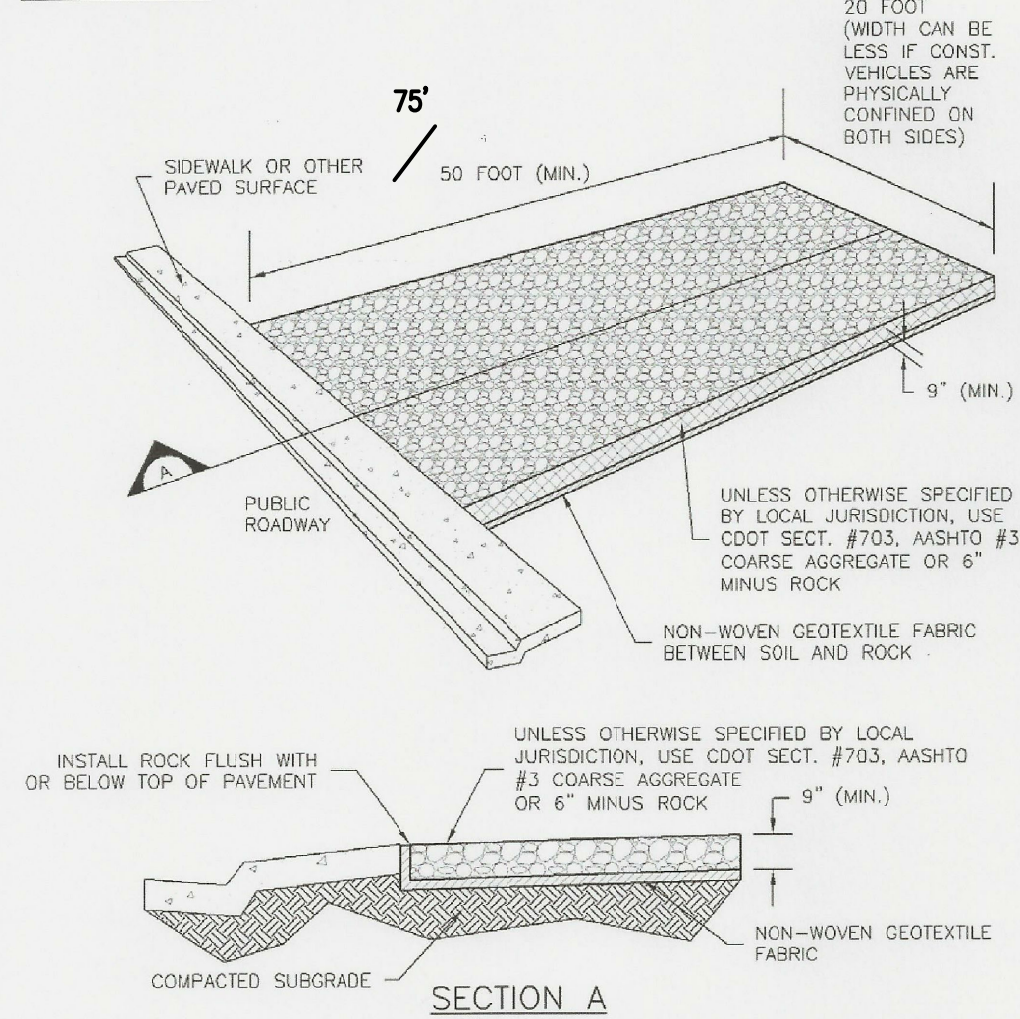
$L=92.97'$
 $R=1725.00$
 $\Delta=03^{\circ}05'17''$

$L=288.07'$
 $R=2274.97'$
 $\Delta=07^{\circ}15'18''$

$S03^{\circ}20'53'' W$
 $348.68'$

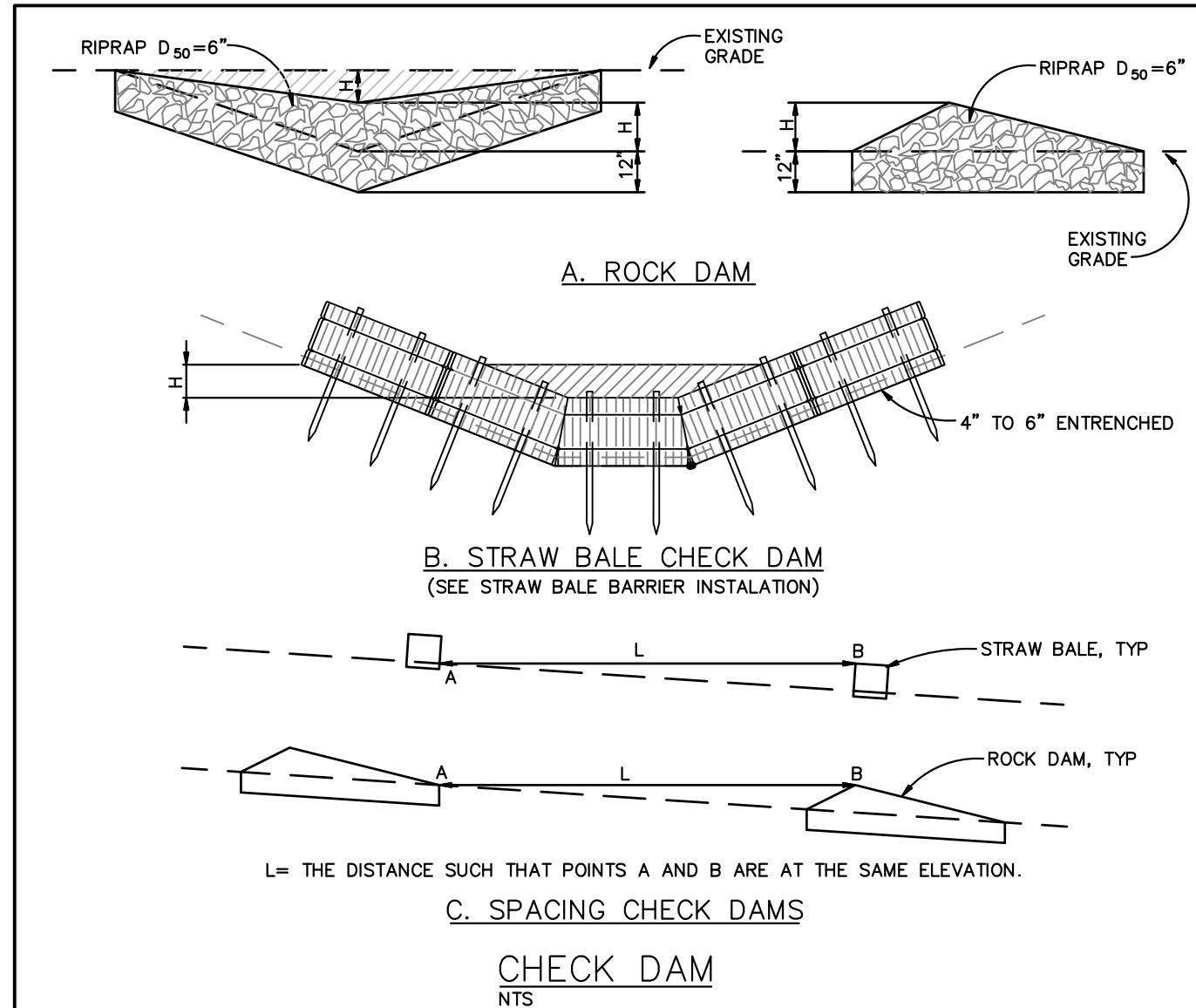
Vehicle Tracking Control (VTC)

SM-4



VTC-1. AGGREGATE VEHICLE TRACKING CONTROL

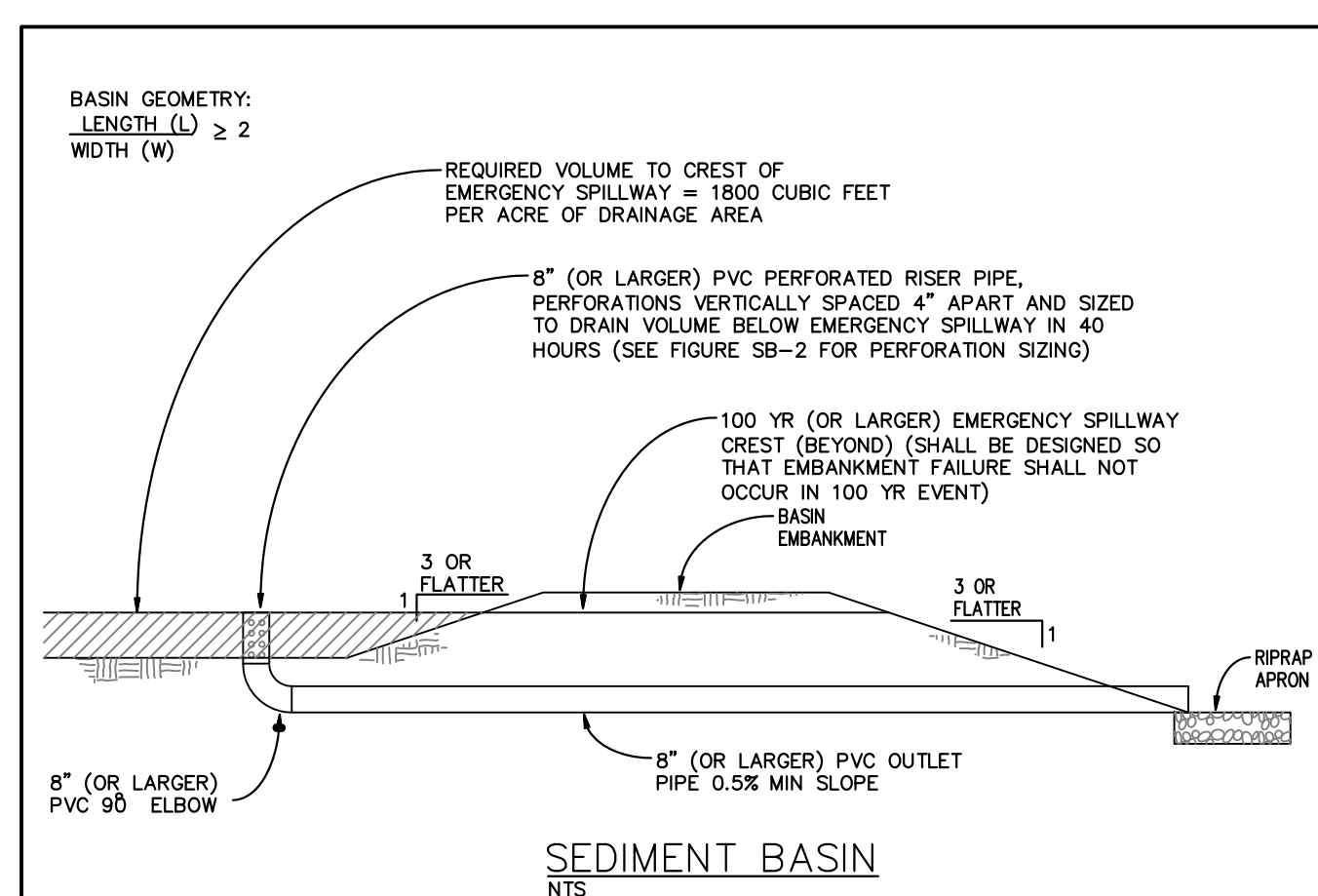
November 2010 Urban Drainage and Flood Control District Urban Storm Drainage Criteria Manual Volume 3 VTC-3



CHECK DAM NOTES

- | | |
|--|--|
| <p>INSTALLATION REQUIREMENTS</p> <ol style="list-style-type: none"> STRAW BALES USED AS CHECK DAMS ARE TO MEET THE REQUIREMENTS STATED IN FIGURE SBB-2. THE "H" DIMENSION SHALL BE SELECTED TO PROVIDE WEIR FLOW CONVEYANCE FOR 2-YEAR FLOW OR GREATER. | <p>MAINTENANCE REQUIREMENTS</p> <ol style="list-style-type: none"> REGULAR INSPECTIONS ARE TO BE MADE OF ALL CHECK DAMS, ESPECIALLY AFTER STORM EVENTS. REPLACE STONE AS NECESSARY TO MAINTAIN THE CORRECT HEIGHT OF THE DAM. ACCUMULATED SEDIMENT AND DEBRIS IS TO BE REMOVED FROM BEHIND THE DAMS AFTER EACH STORM OR WHEN 1/2 OF THE ORIGINAL HEIGHT OF THE DAM IS REACHED. CHECK DAMS ARE TO REMAIN IN PLACE AND OPERATIONAL UNTIL THE DRAINAGE AREA AND CHANNEL ARE PERMANENTLY STABILIZED. WHEN CHECK DAMS ARE REMOVED THE CHANNEL LINING OR VEGETATION IS TO BE RESTORED. |
|--|--|

City of Colorado Springs Stormwater Quality **Figure CD-1 Check Dam** Construction Detail and Maintenance Requirements



SEDIMENT BASIN NOTES

- | | |
|---|--|
| <p>INSTALLATION REQUIREMENTS</p> <ol style="list-style-type: none"> SEDIMENT BASINS SHALL BE INSTALLED BEFORE ANY CLEARING AND/OR GRADING IS UNDERTAKEN. THE AREA UNDER WHICH THE EMBANKMENT IS TO BE INSTALLED SHALL BE CLEARED, GRUBBED, AND STRIPPED OF ALL VEGETATION AND ROOT MAT. THE OUTLET OF THE BASIN SHALL BE DESIGNED TO DRAIN ITS VOLUME IN 40 HOURS. THE OUTLET IS TO BE LOCATED AT THE FURTHEST DISTANCE FROM THE INLET OF THE BASIN. Baffles MAY BE NEEDED TO INCREASE THE FLOW LENGTH AND SETTLING TIME. EMBANKMENT MATERIAL SHALL CONSIST OF SOIL WITH A MINIMUM OF 15% PASSING A #200 SIEVE. EXCAVATED SOIL CAN BE USED IF IT MEETS THIS REQUIREMENT. EMBANKMENT IS TO BE COMPACTED TO AT LEAST 90% OF MAXIMUM DENSITY AND WITHIN 2% OF OPTIMUM MOISTURE CONTENT ACCORDING TO ASTM D 698. WHEN A BASIN IS INSTALLED NEAR A RESIDENTIAL AREA, FOR SAFETY REASONS, A SIGN SHALL BE POSTED AND THE AREA SECURED WITH A FENCE. | <p>MAINTENANCE REQUIREMENTS</p> <ol style="list-style-type: none"> CONTRACTOR SHALL INSPECT SEDIMENT BASINS AFTER EACH RAINFALL, AT LEAST DAILY DURING PROLONGED RAINFALL, AND WEEKLY DURING PERIODS OF NO RAINFALL. SEDIMENT BASINS SHALL BE CLEANED OUT BEFORE SEDIMENT HAS FILLED HALF THE VOLUME OF THE BASIN. SEDIMENT BASINS SHALL REMAIN OPERATIONAL AND PROPERLY MAINTAINED UNTIL THE SITE AREA IS PERMANENTLY STABILIZED WITH ADEQUATE VEGETATIVE COVER AND/OR OTHER PERMANENT STRUCTURE AS APPROVED BY THE CITY. |
|---|--|

City of Colorado Springs Stormwater Quality **Figure SB-1 Sediment Basin** Construction Detail and Maintenance Requirements

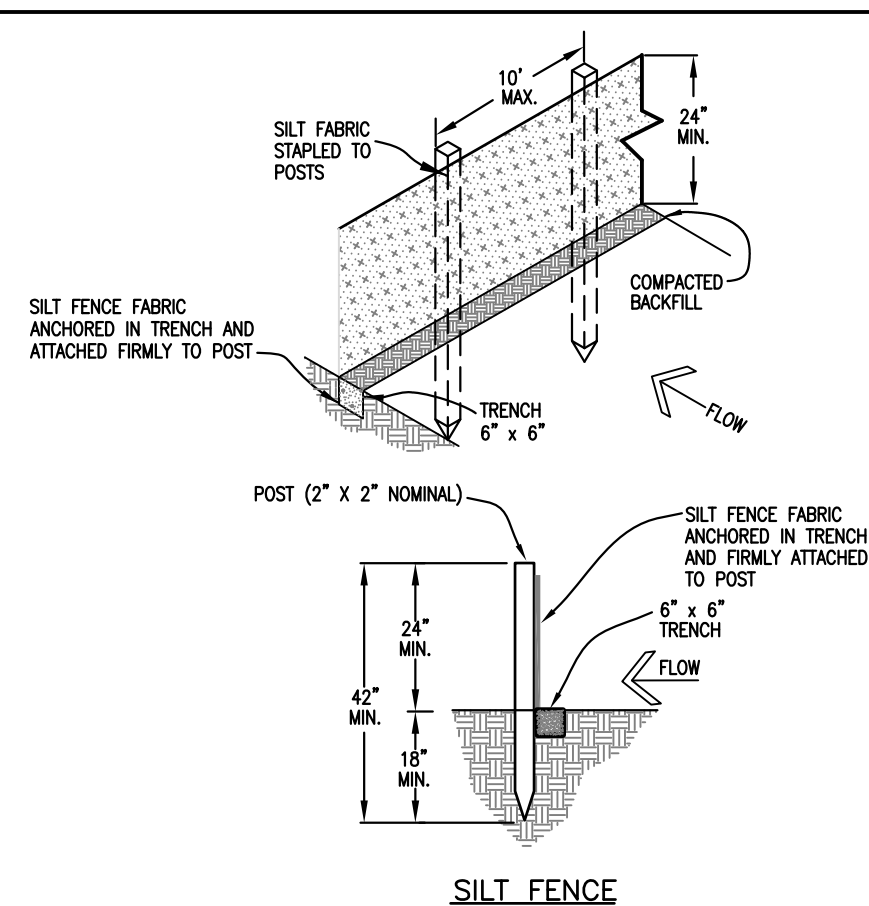
SEED MIX TABLE		
GRASS MIX FOR QUICK REVEGETATION ALL SITES:		
GRASS	VARIETY	AMOUNT IN PLS LBS PER ACRE
CRESTED WHEAT GRASS	EPHRAIM OR HYCREST	4.0
PERENNIAL RYE	LINN	2.0
WESTERN WHEAT GRASS	BARTON	3.0
SMOOTH BROME GRASS	LINCOLN OR MANCHAR	5.0
SIDEOTS GRAMA	EL RENO	2.5
		TOTAL 16.5 LBS
GRASS MIX FOR SANDY SOILS:		
GRASS	VARIETY	AMOUNT IN PLS LBS PER ACRE
SIDEOTS GRAMA	EL RENO	3.0
WESTERN WHEAT GRASS	BARTON	2.5
SLENDER WHEAT GRASS	NATIVE	2.0
LITTLE BLUESTEM	PASTURA	2.0
SAND DROPSEED	NATIVE	0.5
SWITCH GRASS	NEBRASKA 28	1.0
WEEPING LOVE GRASS	MORPHA	1.0
		TOTAL 14.0 LBS
GRASS MIX FOR HEAVIER SOIL AREAS:		
GRASS	VARIETY	AMOUNT IN PLS LBS PER ACRE
WESTERN WHEAT GRASS	BARTON	5.0
SIDEOTS GRAMA	EL RENO	3.0
SLENDER WHEAT GRASS	SODAR	2.5
SMOOTH BROME	LINCOLN OR MANCHAR	4.0
CRESTEDWHEAT GRASS	EPHRAIM	3.0
		TOTAL 17.5 LBS

CORE ENGINEERING GROUP
 1500 R 1ST AVENUE, SUITE 300
 COLORADO SPRINGS, CO 80903
 PH: 719-559-7000
 CONTACT: RICHARD L. SCHINDLER, P.E.
 EMAIL: Rich@cegi.com

PREPARED FOR: **LORSON, LLC**
 212 N. WAHSATCH AVE, SUITE 301
 COLORADO SPRINGS, COLORADO 80903
 CONTACT: JEFF MARK

PROJECT: **CARRIAGE MEADOWS SOUTH AT LORSON RANCH FILING NO. 2**
 FONTAINE BLVD-CARRIAGE MEADOWS DR
 COLORADO SPRINGS, COLORADO

DATE: _____
 DESCRIPTION: _____
 NO. _____
 DRAWN: RLS
 DESIGNED: RLS
 CHECKED: RLS

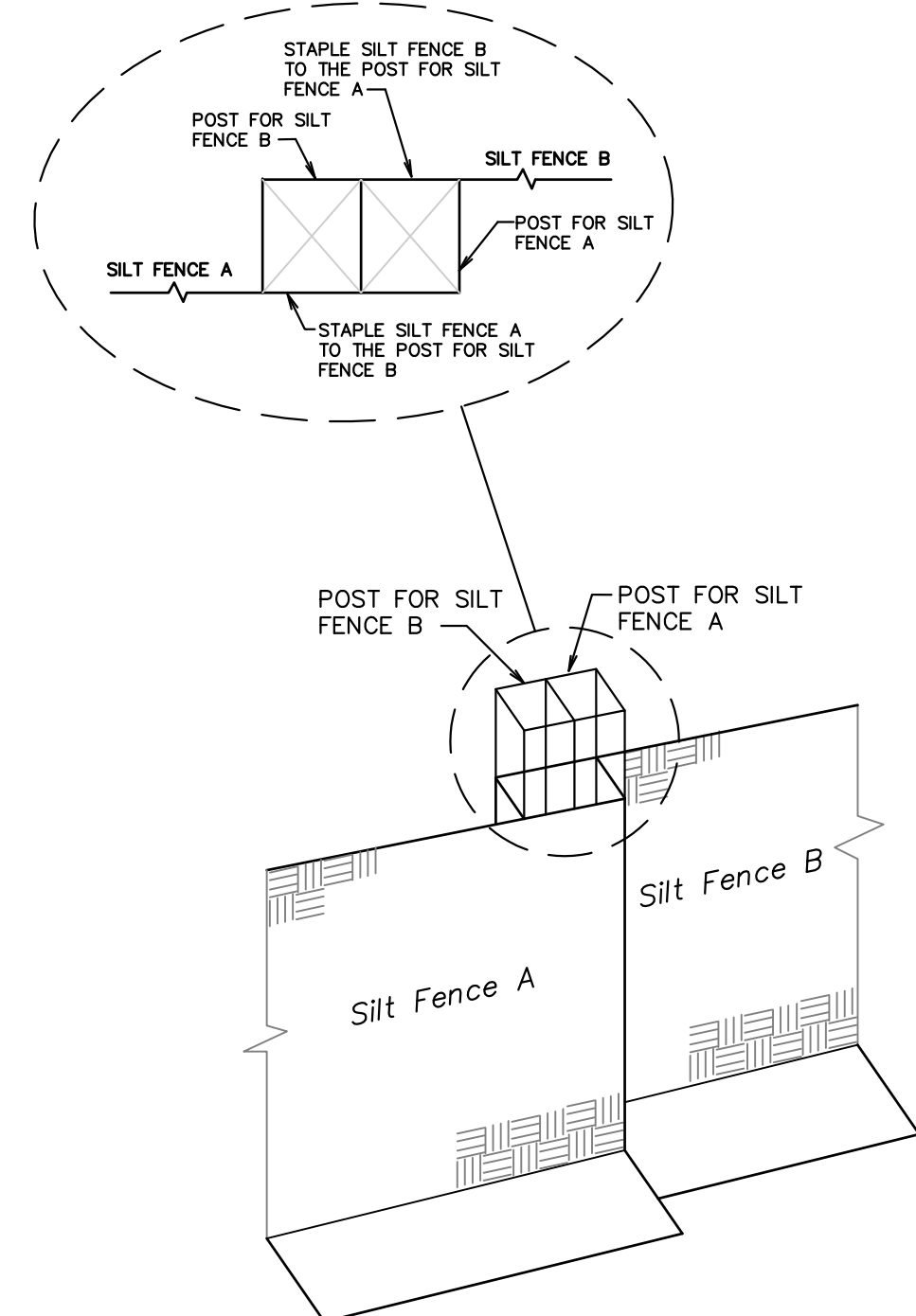


SILT FENCE

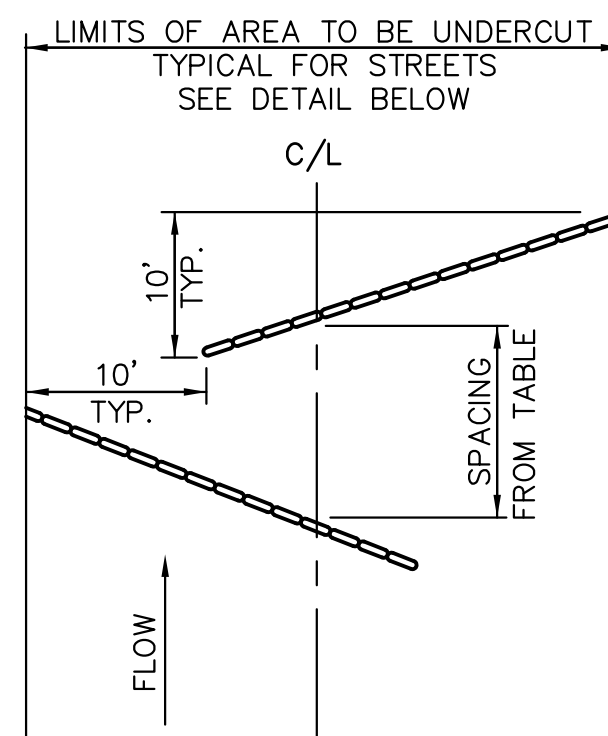
- INSTALLATION REQUIREMENTS**
- SILT FENCES SHALL BE INSTALLED PRIOR TO ANY LAND DISTURBING ACTIVITIES.
 - WHEN JOINTS ARE NECESSARY, SILT FENCE GEOTEXTILE SHALL BE SPICED TOGETHER ONLY AT SUPPORT POST AND SECURELY SEALED.
 - METAL POSTS SHALL BE "STUDDED TEE" OR "U" TYPE WITH MINIMUM WEIGHT OF 1.33 POUNDS PER LINEAR FOOT. WOOD POSTS SHALL HAVE A MINIMUM DIAMETER OR CROSS SECTION DIMENSION OF 2 INCHES.
 - THE FILTER MATERIAL SHALL BE FASTENED SECURELY TO METAL OR WOOD POSTS USING WIRE TIES, OR TO WOOD POSTS WITH 3/4" LONG #9 HEAVY-DUTY STAPLES. THE SILT FENCE GEOTEXTILE SHALL NOT BE STAPLED TO EXISTING TREES.
 - WHILE NOT REQUIRED, WIRE MESH FENCE MAY BE USED TO SUPPORT THE GEOTEXTILE. WIRE FENCE SHALL BE FASTENED SECURELY TO THE UPSLOPE SIDE OF THE POSTS USING HEAVY-DUTY WIRE STAPLES AT LEAST 3/4" LONG. TIE WIRES OR HOG RINGS. THE WIRE SHALL EXTEND INTO THE TRENCH A MINIMUM OF 6" AND SHALL NOT EXTEND MORE THAN 3' ABOVE THE ORIGINAL GROUND SURFACE.
 - ALONG THE TOE OF FILLS, INSTALL THE SILT FENCE ALONG A LEVEL CONTOUR AND PROVIDE AN AREA BEHIND THE FENCE FOR RUNOFF TO POND AND SEDIMENT TO SETTLE. A MINIMUM DISTANCE OF 5 FEET FROM THE TOE OF THE FILL IS RECOMMENDED.
 - THE HEIGHT OF THE SILT FENCE FROM THE GROUND SURFACE SHALL BE MINIMUM OF 24 INCHES AND SHALL NOT EXCEED 36 INCHES. HIGHER FENCES MAY INBOUND VOLUMES OF WATER SUFFICIENT TO CAUSE FAILURE OF THE STRUCTURE.
- MAINTENANCE REQUIREMENTS**
- CONTRACTOR SHALL INSPECT SILT FENCES IMMEDIATELY AFTER EACH RAINFALL, AT LEAST DAILY DURING PROLONGED RAINFALL, AND WEEKLY DURING PERIODS OF NO RAINFALL. DAMAGED, COLLAPSED, UNENTRENCHED OR INEFFECTIVE SILT FENCES SHALL BE PROMPTLY REPAIRED OR REPLACED.
 - SEDIMENT SHALL BE REMOVED FROM BEHIND SILT FENCE WHEN IT ACCUMULATES TO HALF THE EXPOSED GEOTEXTILE HEIGHT.
 - SILT FENCES SHALL BE REMOVED WHEN ADEQUATE VEGETATIVE COVER IS ATTAINED AS APPROVED BY THE CITY.

City of Colorado Springs Stormwater Quality **Figure SF-2 Silt Fence** Construction Detail and Maintenance Requirements

TOP VIEW OF SILT FENCE POSTS-DETAIL

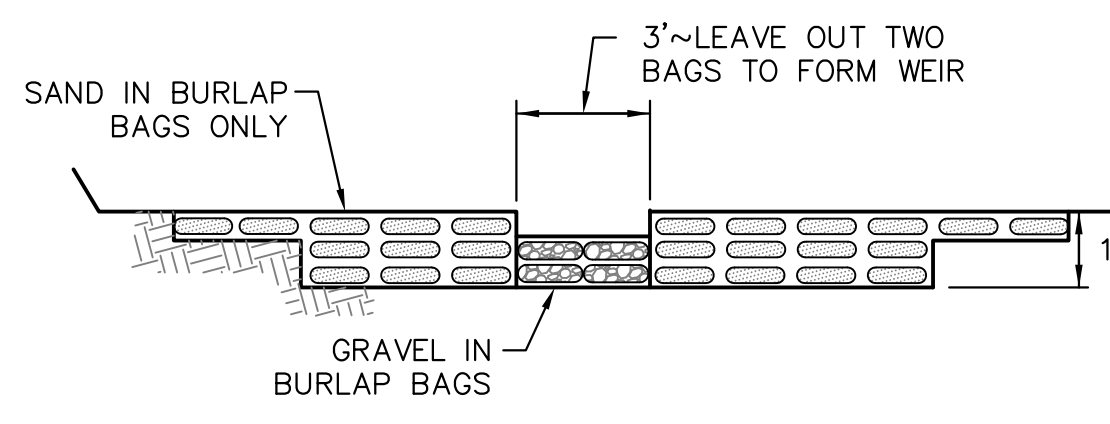


City of Colorado Springs Stormwater Quality **Figure SF-3 Silt Fence Joint Tying** Construction Detail and Maintenance Requirements



SANDBAG ROW SPACING TABLE

STREET GRADE %	INTERVAL (FT)
0-2	500
2-4	200
4-6	120
6-8	90
8-10	70
10-12	50
12-15	35



DATE APPROVED: _____
 DEPARTMENT OF TRANSPORTATION

Typical Check Dam Detail
Standard Drawing
 REVISION DATE: 11/10/04
 FILE NAME: SD_3-62

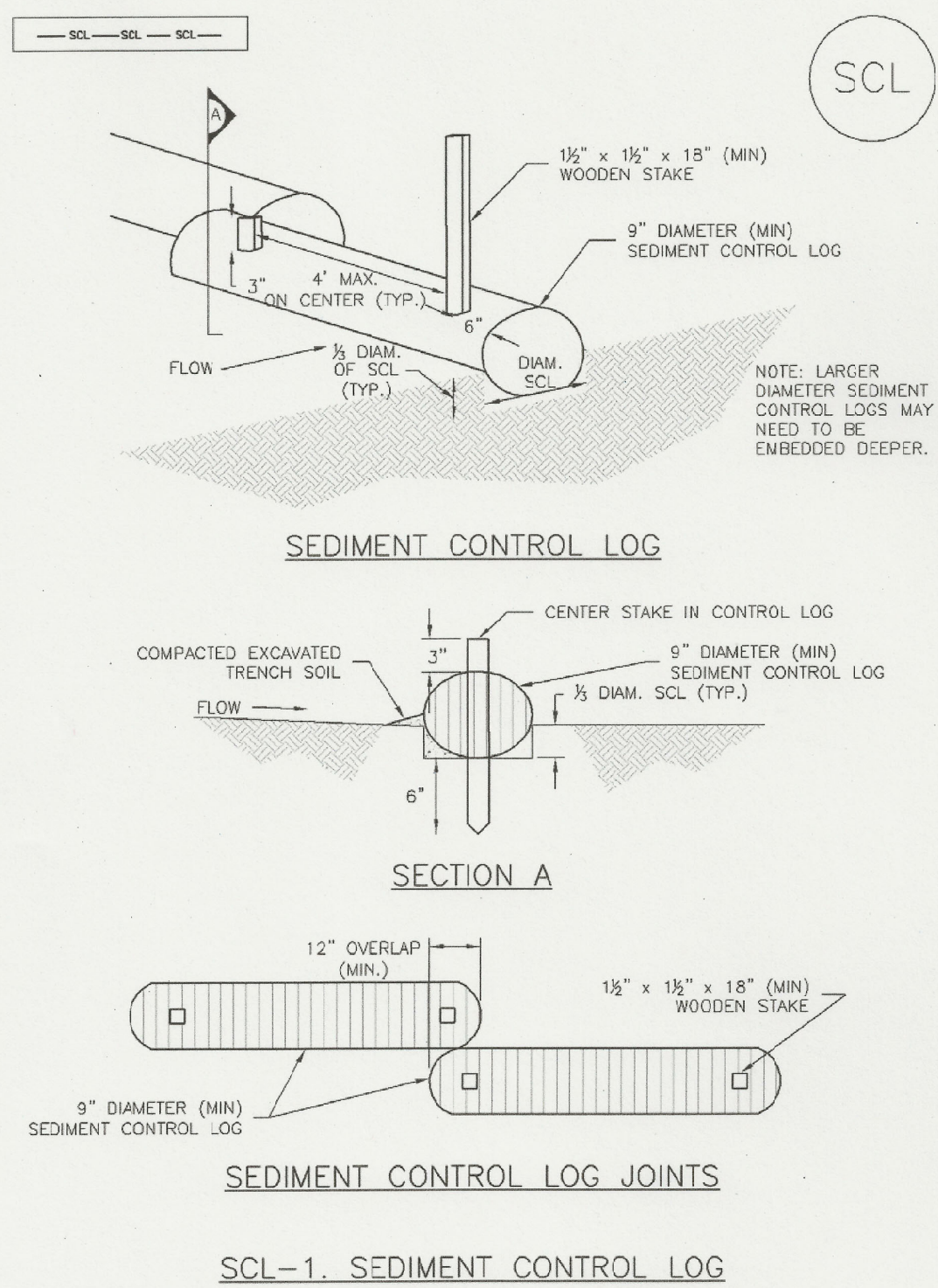
EL PASO COUNTY
 DEPARTMENT OF TRANSPORTATION

GRADING AND EROSION CONTROL DETAILS

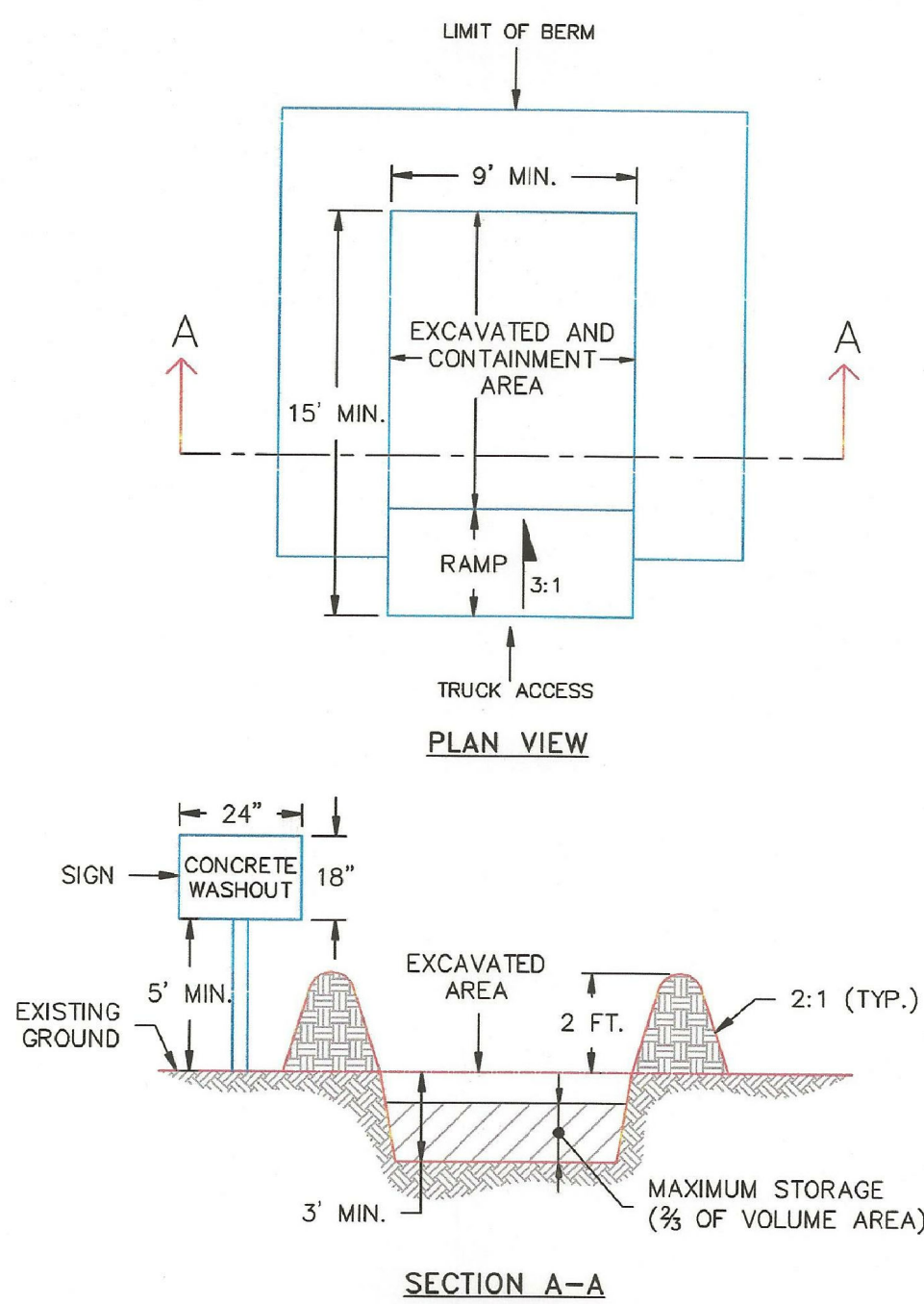
DATE: JUNE 18, 2019
 PROJECT NO. 100.046
 SHEET NUMBER C4.10
 TOTAL SHEETS: 14

Sediment Control Log (SCL)

SC-2

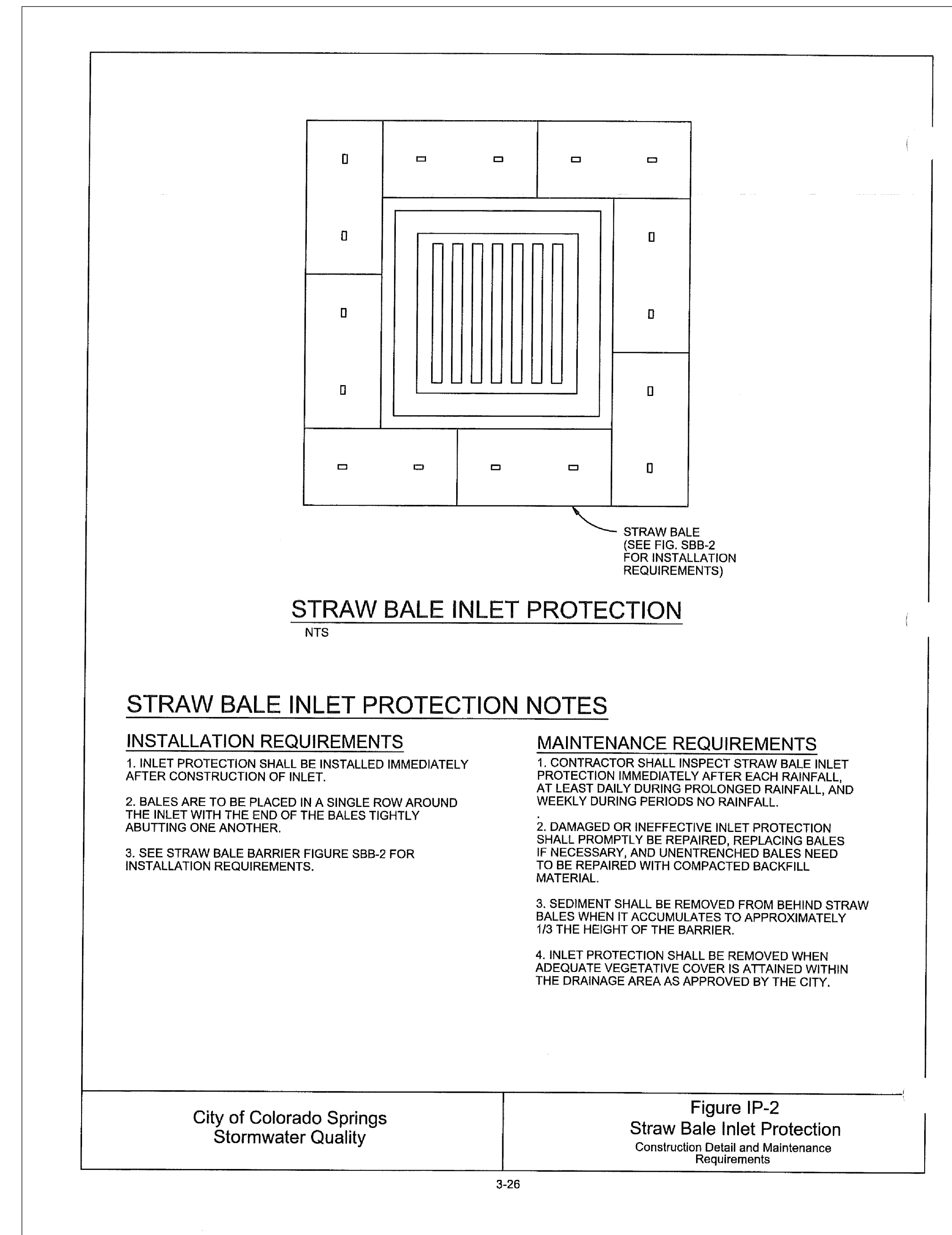


November 2010 Urban Drainage and Flood Control District Urban Storm Drainage Criteria Manual Volume 3 SCL-3



- NOTES:**
1. SIGN MATERIAL, EXCAVATION, AND RESTORATION ARE INCLUDED IN THE COST OF THE CONCRETE WASHOUT STRUCTURE.
 2. EROSION BALES MAY BE USED AS AN ALTERNATIVE FOR THE BERM.

DATE APPROVED: 1/1/08 John A. McCarty DEPARTMENT OF TRANSPORTATION	Concrete Washout Structure Standard Drawing	REVISION DATE: 7/17/07	FILE NAME: SD_3-84
---	--	---------------------------	-----------------------



CORE ENGINEERING GROUP
1500 S. AVENUE 106
DENVER, CO 80202
PHONE: 719-559-7800
CONTACT: RICHARD L. SCHINDLER, P.E.
EMAIL: Rich@ceg1.com

PREPARED FOR:
LORSON, LLC
212 N. WAHSATCH AVE, SUITE 301
COLORADO SPRINGS, COLORADO 80903
CONTACT: JEFF MARK

PROJECT: CARRIAGE MEADOWS SOUTH AT LORSON RANCH FILING NO. 2
FONTAINE BLVD-CARRIAGE MEADOWS DR COLORADO SPRINGS, COLORADO

DRAWN: RLS
DESIGNED: RLS
CHECKED: RLS

GRADING AND EROSION CONTROL DETAILS

DATE:
JUNE 18, 2019

PROJECT NO.
100.046

SHEET NUMBER
C4.11

TOTAL SHEETS: 14

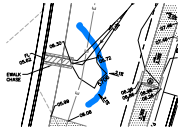
Markup Summary 9-3-2019

dsdrice (7)

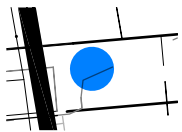
COMPLETION OF A STORMWATER MANAGE
BE A PART FOR INFORMATION OF
HEALTH AND ENVIRONMENT
[Update GEC notes](#)

Subject: Text Box
Page Label: 2
Author: dsdrice
Date: 8/19/2019 10:03:38 AM
Color: ■

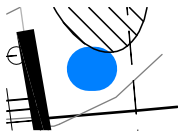
Update GEC notes



Subject:
Page Label: 11
Author: dsdrice
Date: 8/22/2019 3:16:33 PM
Color: ■



Subject:
Page Label: 12
Author: dsdrice
Date: 8/22/2019 3:17:51 PM
Color: ■

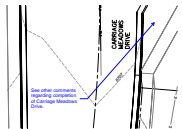


Subject:
Page Label: 12
Author: dsdrice
Date: 8/22/2019 3:17:53 PM
Color: ■



Subject: Callout
Page Label: 5
Author: dsdrice
Date: 8/22/2019 3:22:29 PM
Color: ■

Existing C&G?



Subject: Callout
Page Label: 11
Author: dsdrice
Date: 8/23/2019 9:49:49 AM
Color: ■

See other comments regarding completion of Carriage Meadows Drive.

Engineering Review
9/2/2019 10:51:30 AM
JedRice@epc.com
719.928.7577
EPC Planning & Community
Development Department

Subject: EPC ENG Review
Page Label: 1
Author: dsdrice
Date: 9/2/2019 10:51:30 PM
Color: ■