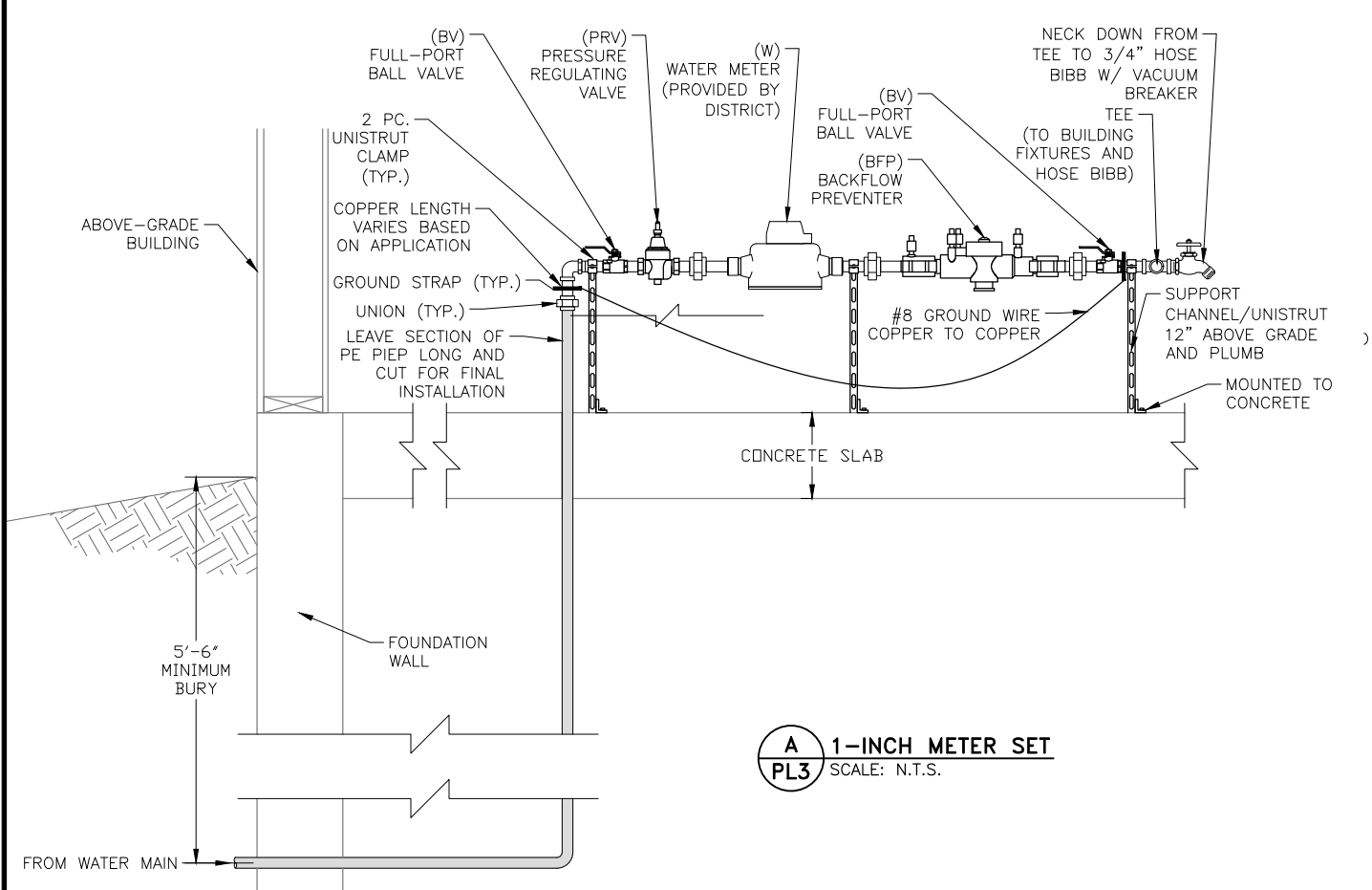
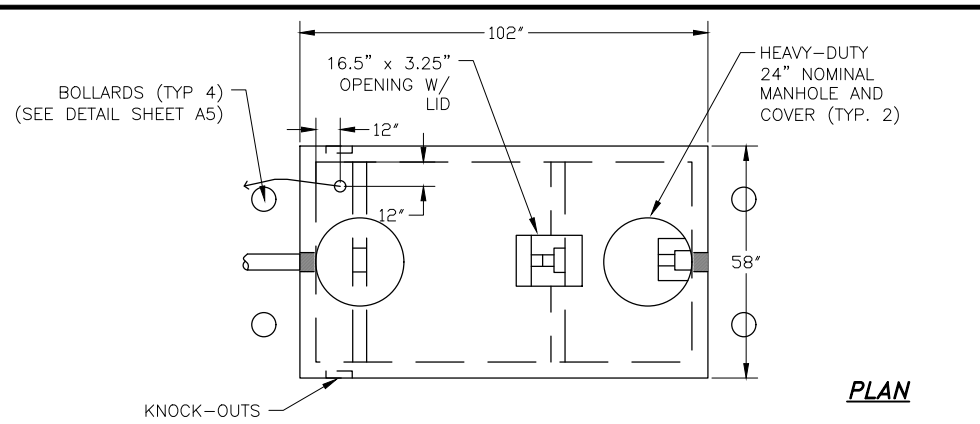


2023/09/06 12:44 PM By: Shelby Heule N:\Projects\W02242.22002-FAWNA Sterling Ranch WTP\Drawings\Working\G_Plumbing\W02242.22002-Plumbing.dwg

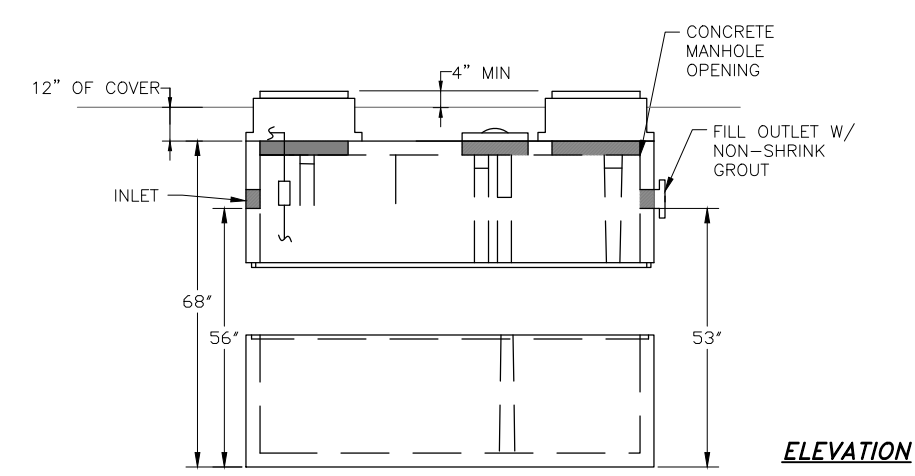
IF BAR DOES NOT MEASURE ONE INCH, SCALE OF THIS DRAWING HAS BEEN ALTERED



A 1-INCH METER SET
PL3 SCALE: N.T.S.

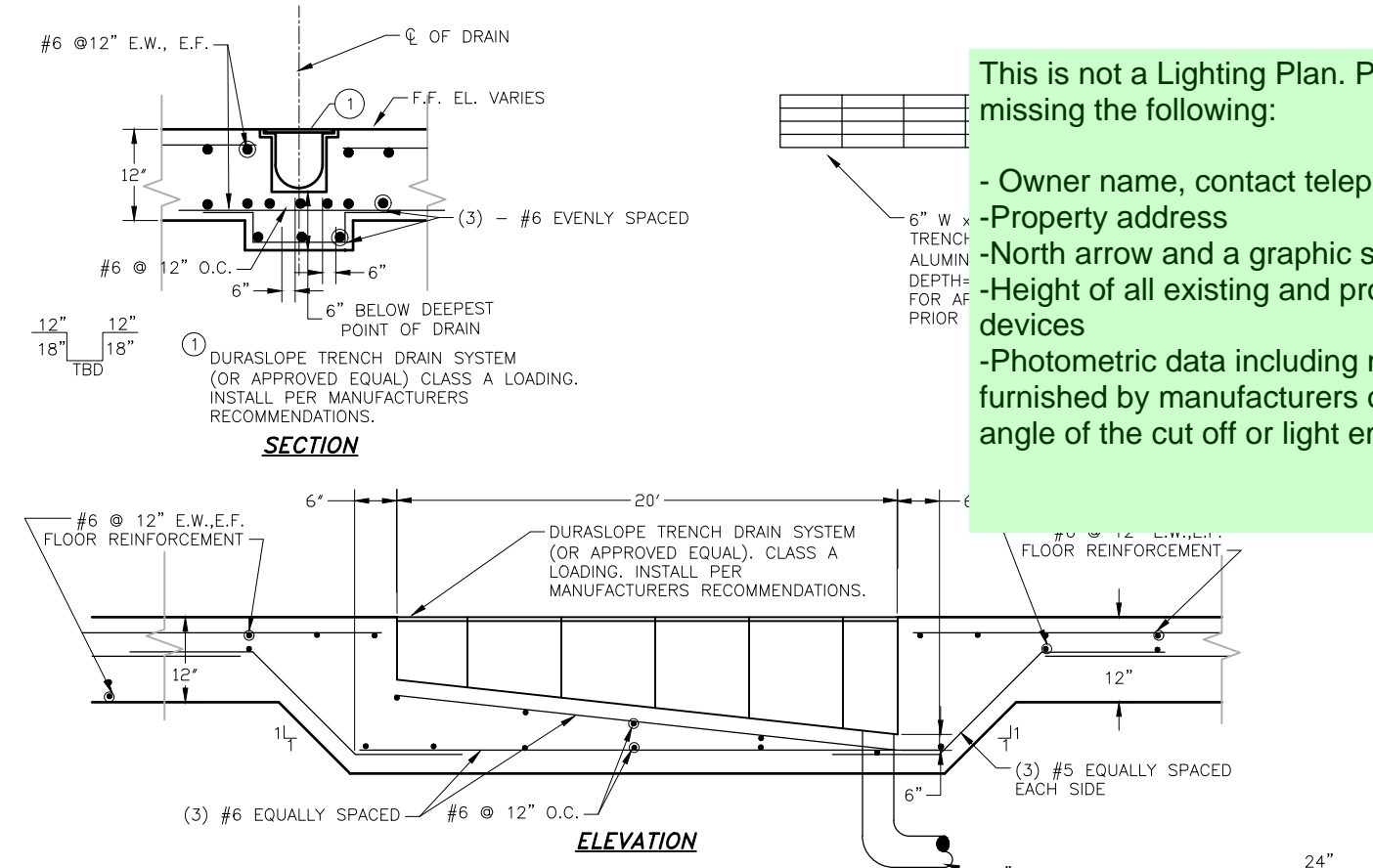


PLAN



ELEVATION

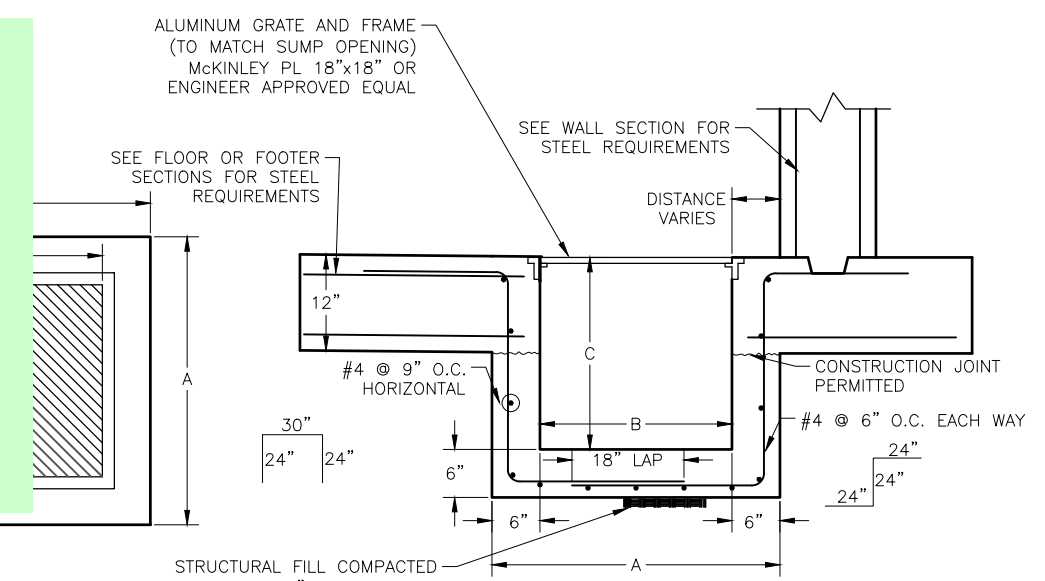
B SANITARY SEWER HOLDING TANK
PL3 SCALE: N.T.S.



C TRENCH DRAIN
PL3 SCALE: N.T.S.

This is not a Lighting Plan. Previous lighting plan was missing the following:

- Owner name, contact telephone number, and email
- Property address
- North arrow and a graphic scale
- Height of all existing and proposed illuminating devices
- Photometric data including maps and diagrams furnished by manufacturers or similar showing the angle of the cut off or light emission



D SUMP PUMP
PL3 SCALE: N.T.S.

SUMP SCHEDULE

SUMP TYPE	A	B	C
16"x16"x6"	2'-0"	1'-6"	6"

Colorado Springs, CO
5540 Tech Center Dr., Suite 100
Colorado Springs, CO 80919
Phone: 719.227.0072
www.respec.com

FALCON AREA WATER & WASTEWATER AUTHORITY
STERLING RANCH WATER TREATMENT PLANT
PLUMBING DETAILS

NO.	DESCRIPTION	BY	APP.	DATE
1				
2				
3				
4				
5				
6				
7				

FOR REVIEW

Proj.#: W02242.22
Date: 06/05/23
Design: JMK
Drawn: JMK
Check: JPM