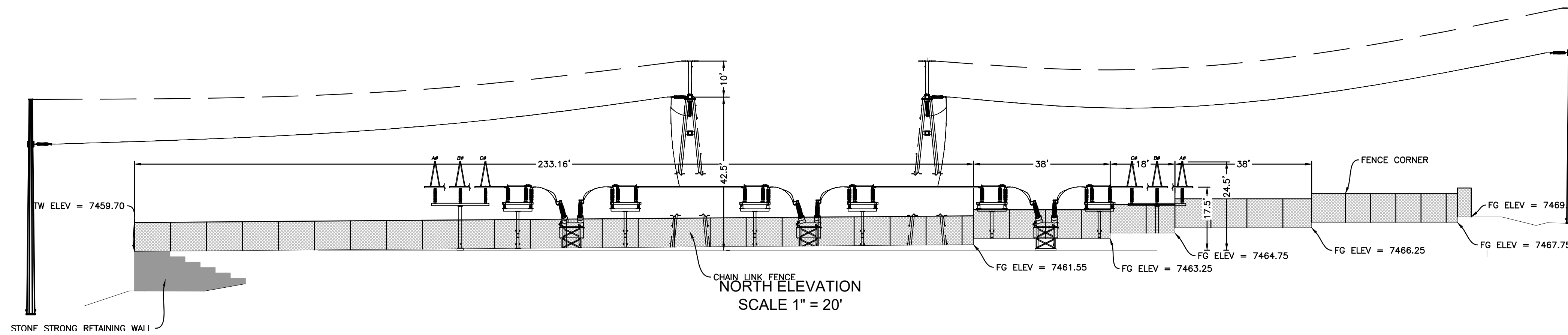
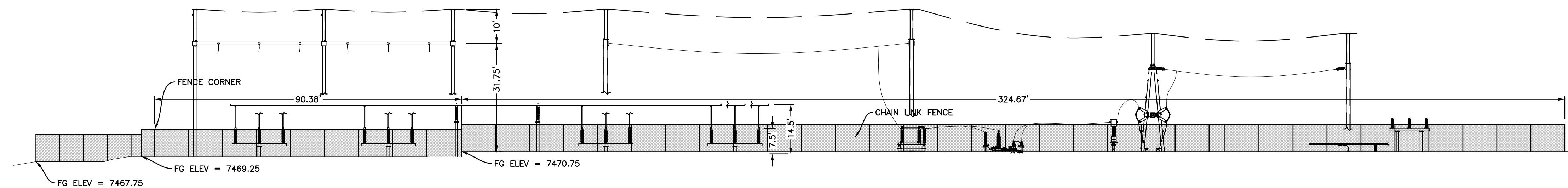


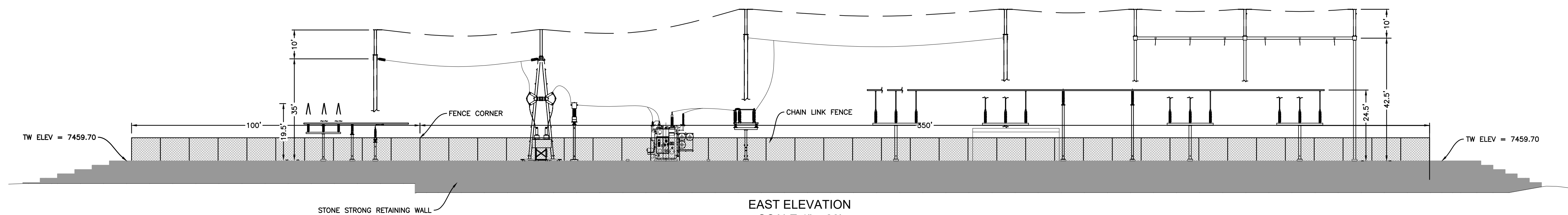
SOUTH ELEVATION
SCALE 1" = 20'



NORTH ELEVATION
SCALE 1" = 20'



WEST ELEVATION
SCALE 1" = 20'



EAST ELEVATION
SCALE 1" = 20'

Reference Drawings		Drawing Title	
Dwg. No.	Mfr.	Dwg. No.	Mfr.
Revision		Revision	
No.	Date	Dwn.	Appd.
7			
6			
5			
4			
3			
2			
1			
FOX RUN SUBSTATION ELEVATION VIEWS TRI-STATE GENERATION & TRANSMISSION ASSOCIATION, INCORPORATED UPDATED BY: KENUTL 5/17/2022 4:56 PM Contract:			
 1100 W. 116th Ave. P.O. Box 33695 Denver, Colorado 80233 303-452-6111 PATH: T:\Projects\Fox Run Substation\EL_Pano County\Dea\21036C_Elevations.dwg			
Dwn: TMC	Date: 04/27/22		
Appd: .	Date: .		
ELEVATIONS			