

CO STATE HIGHWAY 94  
(100' PUBLIC RIGHT-OF-WAY)  
(REC. NO. 219151478)

12135 HIGHWAY 94  
OWNER: FAIR DINKUM TRUST  
PARCEL NO. 440000239

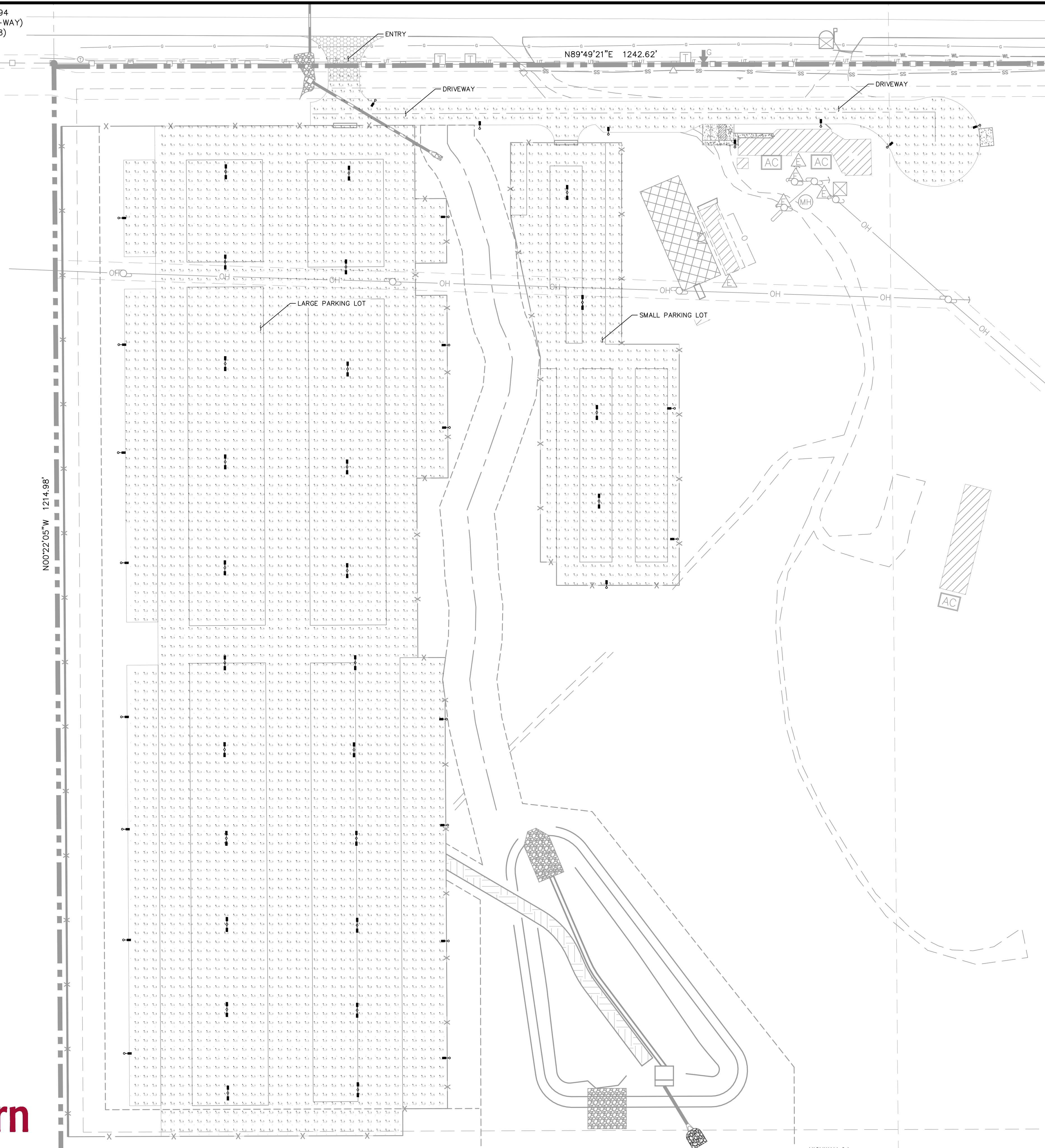
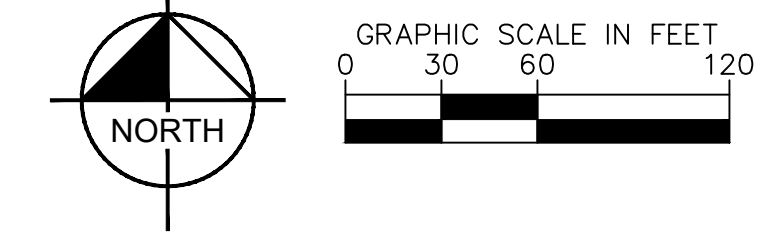
N00°22'05"W 1214.98'

N89°49'21"E 1242.62'

S89°48'31"W 1246.37'  
(BASIS OF BEARINGS)

HIGHWAY 94  
OWNER: MILLER, GARY D &  
VETTE, MARIE & VETTE, TAD  
PARCEL NO. 440000061

LIGHTING SUMMARY TABLE				
AREA	AVG. ILLUMINANCE (FC)	MAX (FC)	MIN (FC)	UNIFORMITY (AVG/MIN)
LARGE PARKING LOT	1.90	8.20	0.30	6.33
SMALL PARKING LOT	1.94	8.10	0.20	9.70
DRIVEWAYS/ENTRY	1.89	4.40	0.40	4.73
STANDARD	1.25			6.00



**Kimley»Horn**

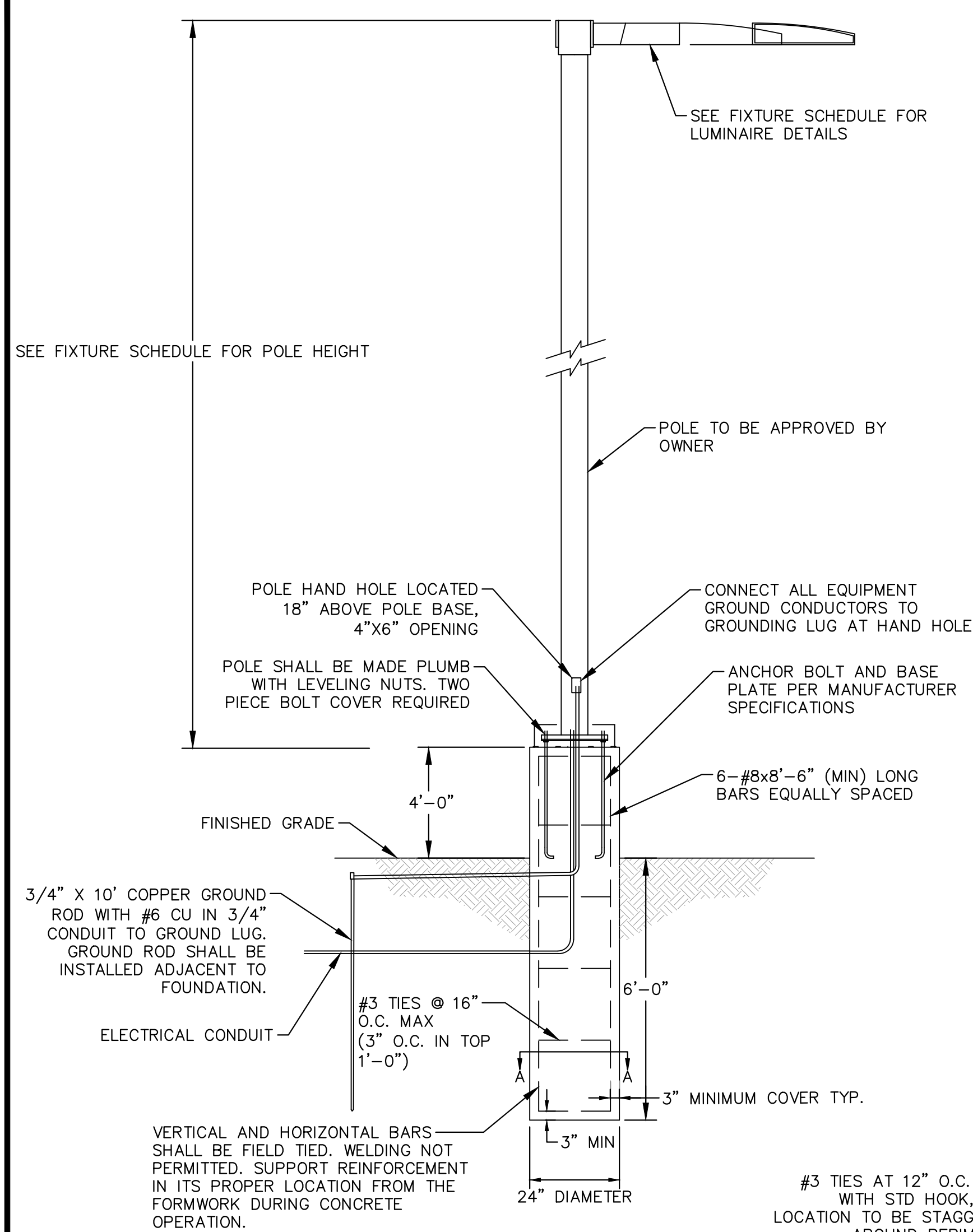
© 2024 KIMLEY-HORN AND ASSOCIATES, INC.  
2 NORTH NEVADA AVENUE, SUITE 900  
COLORADO SPRINGS, COLORADO 80903 (719) 453-0180

ISSUED: 08.23.2024  
PHOTOMETRIC PLAN  
SHEET 10 OF

UDON SOUTH - PCD FILE # PPR2422

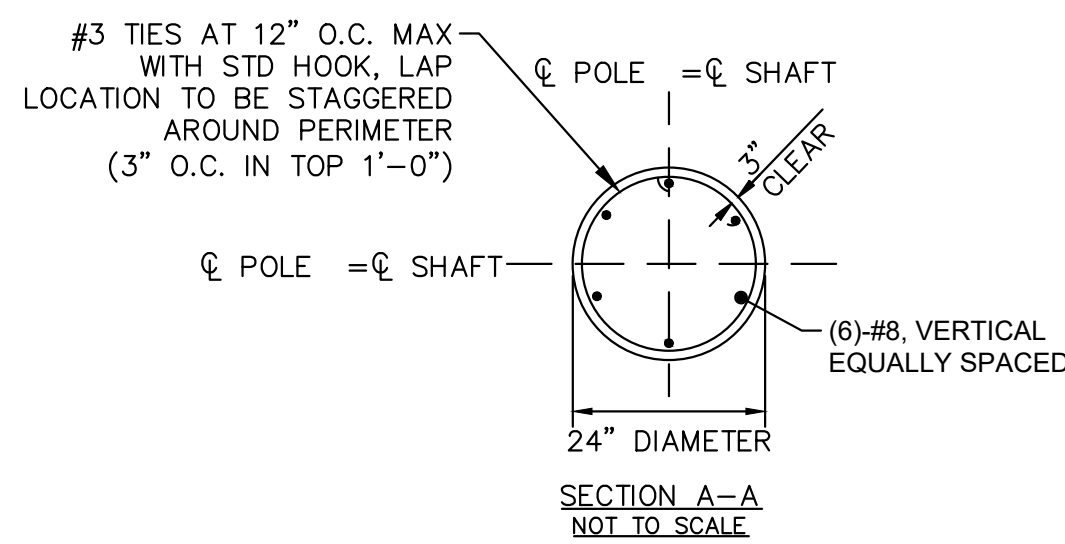
K:\CCS\_Civil\198220023\_UDON South\CADD\PlanSheets\SDP\SDP\_EI.dwg Aug 26, 2024 4:55pm

K:\CCS\_Civil\19822003\_UDON South CADD\PlanSheets\SDP\SDP\_EI.dwg Aug 26, 2024 4:55pm



- NOTES:**
- 4000 PSI MIN. 28 DAY COMPRESSIVE STRENGTH CONCRETE WITH GRADE 60 REINFORCING STEEL
  - IF WATER IS PRESENT IN HOLE, REMOVE BEFORE POURING CONCRETE.
  - FOUNDATION EXCAVATION SHALL BE BY 24" AUGER IN UNDISTURBED OR PROPERLY COMPACTED FILL PER SPECIFICATIONS.
  - FOUNDATION HAS BEEN DESIGNED FOR AN ALLOWABLE BEARING CAPACITY OF 1500 PSF.
  - FOUNDATION HAS BEEN DESIGNED FOR A MINIMUM ALLOWABLE LATERAL SOIL PRESSURE OF 100 PCF.

**1 POLE FOUNDATION DETAIL**  
SCALE: NTS

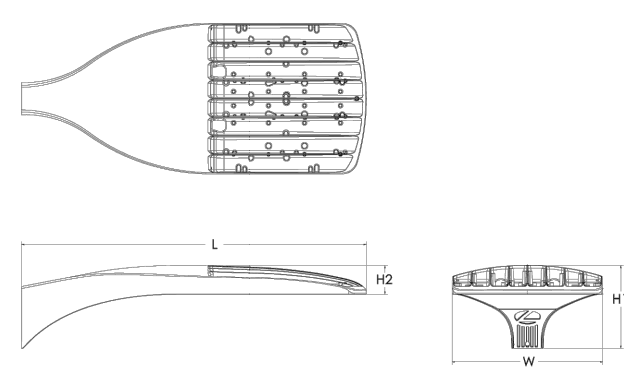


**2 LUMINAIRE CUTSHEET**  
SCALE: NTS

**3 POLE CUTSHEET**  
SCALE: NTS



**Specifications**  
EPA: 0.69 ft<sup>2</sup> (0.06 m<sup>2</sup>)  
Length: 32.71" (83.1 cm)  
Width: 14.26" (36.2 cm)  
Height H1: 7.88" (20.0 cm)  
Height H2: 2.73" (6.9 cm)  
Weight: 34 lbs (15.4 kg)



**Introduction**  
The modern styling of the D-Series features a highly refined aesthetic that blends seamlessly with its environment. The D-Series offers the benefits of the latest in LED technology into a high performance, high efficacy, long-life luminaire.  
The photometric performance results in sites with excellent uniformity, greater pole spacing and lower power density. D-Series outstanding photometry aids in reducing the number of poles required in area lighting applications with typical energy savings of 65% and expected service life of over 100,000 hours.

**Ordering Information** EXAMPLE: DSX1 LED P7 40K 70CRI T3M MVOLT SPA NLTAIR2 PIRHN DDBXD

Series	LEDs	Color temperature*	Color Rendering Index†	Distribution	Voltage	Mounting
DSX1 LED	Forward optics P1 P6 P2 P7 P3 P8 P4 P9 P5 P10 P12 P11 P13	(This section 70CRI only) 30K 3000K 40K 4000K 50K 5000K (This section 80CRI only, extended lead times apply) 27K 2700K 30K 3000K 35K 3500K 40K 4000K 50K 5000K	70CRI 70CRI 70CRI 70CRI 80CRI 80CRI 80CRI 80CRI 80CRI	AFR Automotive front row T1S Type I short T2M Type II medium T3M Type III medium T3LG Type III low glare T4M Type IV medium T4LG Type IV low glare T7FM Forward throw medium	120V-277V <sup>1</sup> MVOLT (24V-480V) <sup>2</sup> MVOLT (277V-480V) <sup>3</sup> 120V <sup>4</sup> 208V <sup>4</sup> 240V <sup>4</sup> 277V <sup>4</sup> 347V <sup>4</sup> 480V <sup>4</sup>	Shipped included SPA Square pole mounting (8" drilling) RPA Round pole mounting (8" drilling) SPL Square pole mounting (45 drilling) RPL Round pole mounting (45 drilling) SPRAN Square narrow pole mounting 48 drilling WBA Wall brace <sup>5</sup> MA Mast arm adaptor (mounts on 2.5" O.D. horizontal tenon)

**Control options**  
Shipped installed  
NLTAIR2 PIRHN All light All gen. 2 enabled with bi-level motion / ambient sensor, 8-40' mounting height, ambient sensor enabled at 26" ± 1.5"<sup>6,7</sup>  
PIR High/Low motion/ambient sensor, 8-40' mounting height, ambient sensor enabled at 26" ± 1.5"<sup>6,7</sup>  
PER NEMA 4x6 lock receptacle only (optional ordered separately)<sup>8</sup>  
PERS 5-pin receptacle only (optional ordered separately)<sup>8,9</sup>

**Other options**  
FER7 Seven-pin receptacle only (optional ordered separately)<sup>8,9</sup>  
FAD Field adjustable output<sup>10,11</sup>  
BL30 Bi-level switched dimming, 50%<sup>12</sup>  
BL50 Bi-level switched dimming, 50%<sup>12</sup>  
DMG 0-10v dimming wires pulled outside fixture (for use with an external control, ordered separately)<sup>13</sup>  
DS Dual switching<sup>14,15</sup>

**Shipped separately**  
SPD20KV 20KV surge protection  
HS Housecode shield (black finish standard)<sup>16</sup>  
LRO Left rotated optics<sup>17</sup>  
RRO Right rotated optics<sup>17</sup>  
CEE Coastal Construction<sup>18</sup>  
HA 50% ambient operation<sup>19</sup>  
BAA Buy America's Act Compliant  
SF Single fuse (120, 277, 347V)<sup>20</sup>  
DF Double fuse (208, 240, 480V)<sup>20</sup>  
EGOR External Case Shield (removable, field install required, matches housing finish)  
BDB Bot Spikes (field install required)

**Finish options**  
DDBXD Dark Bronze  
DLXD Black  
DNAXD Natural Aluminum  
DWHXD White  
DOBXD Textured dark bronze  
DLBXD Textured black  
DNAXD Textured natural aluminum  
DWHGD Textured white

**SSSDB Square Straight Steel Direct Burial Poles**

Series	Nominal fixture mounting height†	Nominal shaft base size/wall thickness†	Mounting†	Options	Finish
SSSDB	10'-30' (for 12 ft increments, add 6" to the pole height. Ex: 20'-6 equals 20ft 6in.)	4" 4" x 1 1/2" (0.120") 4 1/2" 4 1/2" x 1 1/2" (0.120") 5" 5" x 1 1/2" (0.120") 6" 6" x 1 1/2" (0.120")	Tenon mounting PT Open top T20 2-3/8" O.D. (2" NPS) T25 2-7/8" O.D. (2-1/2" NPS) T30 3-1/2" O.D. (3" NPS) T35 4" O.D. (3-1/2" NPS) EuroBracket mounting T3.375X 3-3/8" O.D. tenon for arm EALS T3.375X1 3-3/8" O.D. standard tenon T4.375X 4-3/8" O.D. tenon for arm EALS T4.375X1 4-3/8" O.D. standard tenon DSX/RSX/MSHO™ Drill mounting <sup>2</sup> DM28AS 2 at 180° DM28AS PL 2 at 180° with one side plugged DM29AS 2 at 90° DM39AS 3 at 90° DM49AS 4 at 90° BAA Drill mounting† DM18AD 1 at 90° DM28AD 2 at 180° DM29AD 2 at 90° DM39AD 3 at 90° DM49AD 4 at 90° ESX Drill mounting† DMVEXX 1 at 90° DM28EX 2 at 180° DM29EX 2 at 90° DMVEXX 3 at 90° JMS Drill mounting† To be added as series + drill orientations EX-SMAC19 for SMAC arm drilling 1 at 90°	Shipped installed VD Vibration damper† J Hook for cable strain relief† HKEY Horizontal arm bracket (1 fixture) <sup>3</sup> FDLY Flexion outlet less electrical† CPL12xy 1/2" coupling† CPL34xy 3/4" coupling† CPL1xy 1" coupling† NPL12xy 1 1/2" threaded nipple† NPL34xy 3/4" threaded nipple† NPL1xy 1" threaded nipple† EHHBY Extra handle† <sup>4</sup> STLHHC Steel handle cover (standard is plastic, finish is smooth) <sup>5</sup> IC Interior coating† TP Tamper resistant handle cover fasteners NEC NEC 410.30 compliant gasketed handle (Not UL Labeled) UL UL listed with label (includes NEC compliant cover) BAA Buy America's Act Compliant <sup>6</sup>	Super durable paint colors DDBXD Dark Bronze DLXD Black DNAXD Natural aluminum DWHXD White DOBXD Textured dark bronze DLBXD Textured black DNATXD Textured natural aluminum DWHGD Textured white Other finishes GALV Galvanized finish Architectural colors and special finishes <sup>7</sup> PAINI GALV Paint over galvanizing VPSI 3 year warranty extension VPS5 5 year warranty extension RAL### Use designated Lithonia Lighting nomenclature in brackets Custom color Nomenclature assigned through Customer Care "Custom Color Process"

- NOTES:**
- Pole height should be specified for nominal mounting height of fixture. Pole will be longer for embedment depth.
  - Wall thickness will be specified with a "C" (11 gauge) or a "S" (13 gauge) in nomenclature. "C" is 3/32" (1.2" is 3/16").
  - PT open top poles include top cap. When ordering tenon mounting and drill mounting for the same pole, specify as drilling option/tenon option. The combination includes a required extra handle.
  - Refer to the fixture spec sheet for the correct drilling template pattern and orientation compatibility.  
Example: DM28AD 2 at 90°
  - On 4" and 5" poles, VD Lenses are installed if provisions (DPR, LFL, NPL, CPL) are located higher than 2/3 of the pole's total height.  
Example: DM28AD 2 at 180°, A provision cannot be placed above 90°.
  - Specify location and orientation when ordering options.  
For "C" specify the height above the base of pole in feet or inches; separate feet and inches with a ".".  
Example: SF = 1 and 207.3in = 2' 0 3/4"  
For "S" specify orientation from handle (A, B, C, D). Refer to the Handle Orientation diagram below.  
Example: L2" coupling at 5", orientation C = GR12S-8C
  - Horizontal arm is 18" x 2.3/8" O.D. tenon standard, with radius curve providing 12" rise and 2-3/8" O.D. If ordering two horizontal arms at the same height, specify with HKEY.  
Example: HKEY20.
  - For steel handle covers with ESD outlet or handle covers. These must be supplied by contractor or electrician.  
Example: TP20.
  - Combination of tenon top and drill mount includes extra handle. EHL includes cover.
  - Plastic handle covers conform standard with all poles. Items ship separately. Additional parts can be ordered as replacement.
  - Provides enhanced corrosion resistance. RA with GALV.
  - Use when mill certifications are required.
  - Must be specified through AGS. Finishes do not require VPS. RA colors available are shown in "Architectural Colors brochure". Lead times may be extended up to 2 weeks due to paint procurement.

**Accessories: Order as separate catalog number.**  
PL D20 Plugs for ESX drillings  
PL D18 Plugs for DM28AS drillings  
PVD xxF Field installed vibration damper (snake style)

**LUMINAIRE SCHEDULE**

SYMBOL	DESCRIPTION	MANUFACTURER AND MODEL	VOLTAGE	WATTAGE	LUMENS	FINISH	POLE MANUFACTURER	POLE MODEL	POLE FINISH	MOUNTING HEIGHT
	SHORT ARM STYLE LUMINAIRE	LITHONIA LIGHTING DSX1-LED-P4-30K-70CRI-T3M-MVOLT	120-277V	124 W	15,383 LUMENS	DARK BROZE	LITHONIA LIGHTING	SSDB-18-4C-DM19AS	DARK BRONZE	18'-0"
	SHORT ARM STYLE LUMINAIRE	LITHONIA LIGHTING DSX1-LED-P4-30K-70CRI-T3M-MVOLT	120-277V	248 W	30,766 LUMENS	DARK BROZE	LITHONIA LIGHTING	SSDB-18-4C-DM28AS	DARK BRONZE	18'-0"



© 2024 KIMLEY-HORN AND ASSOCIATES, INC.  
2 NORTH NEVADA AVENUE, SUITE 900  
COLORADO SPRINGS, COLORADO 80903 (719) 453-0180

ISSUED: 08.23.2024  
PHOTOMETRIC DETAILS  
SHEET 11 OF

UDON SOUTH - PCD FILE # PPR2422