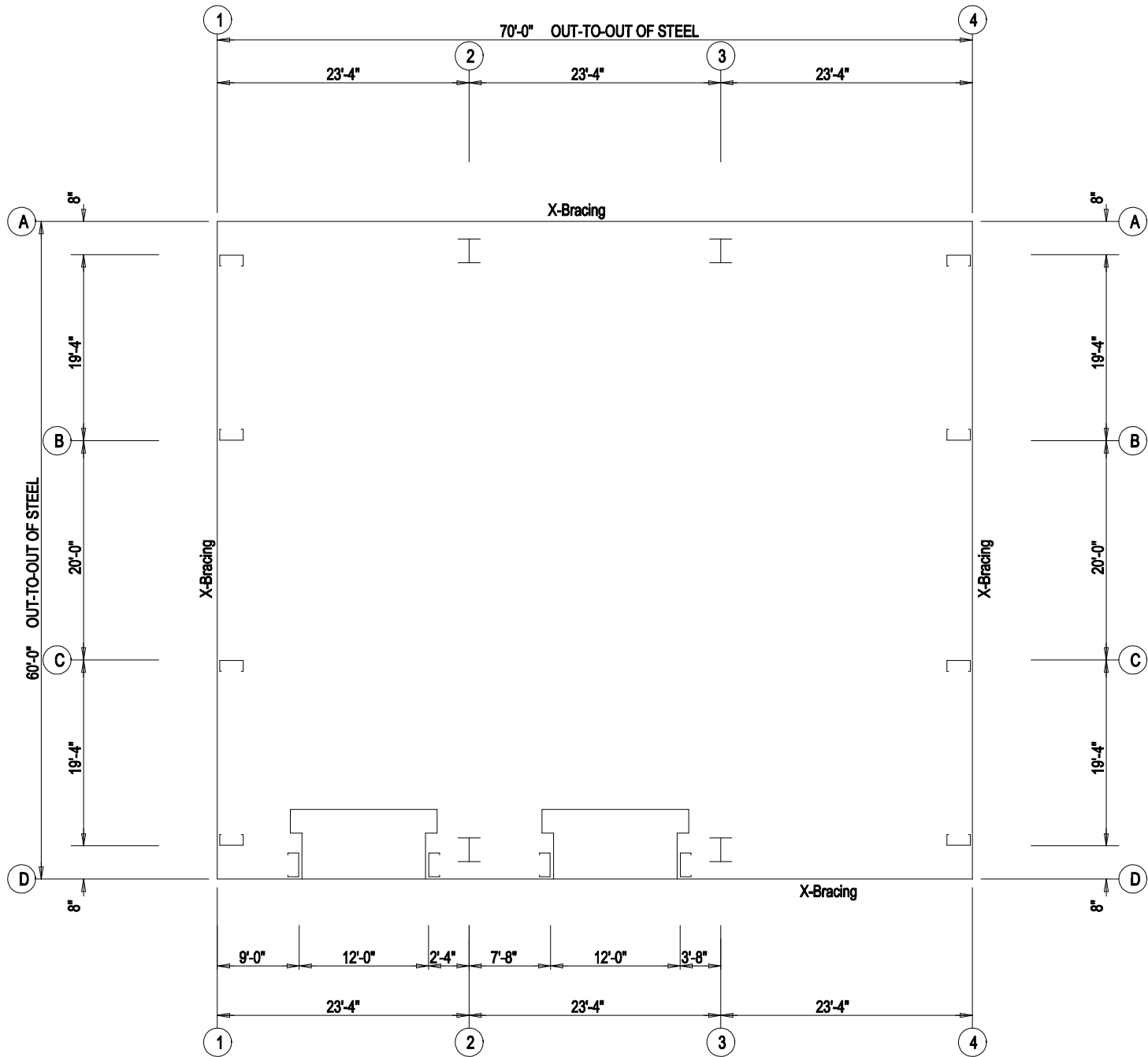
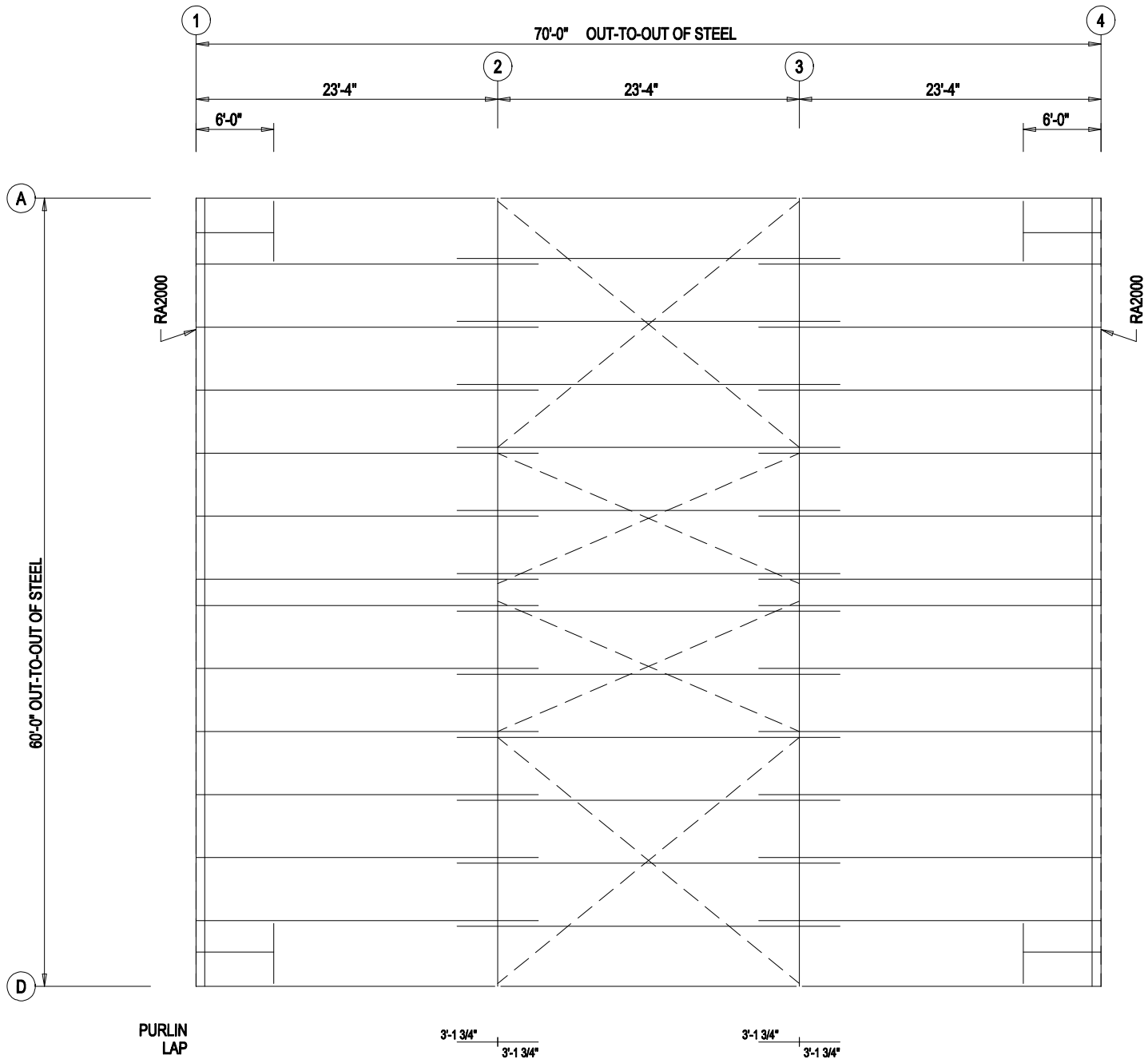


AMF Steel Buildings



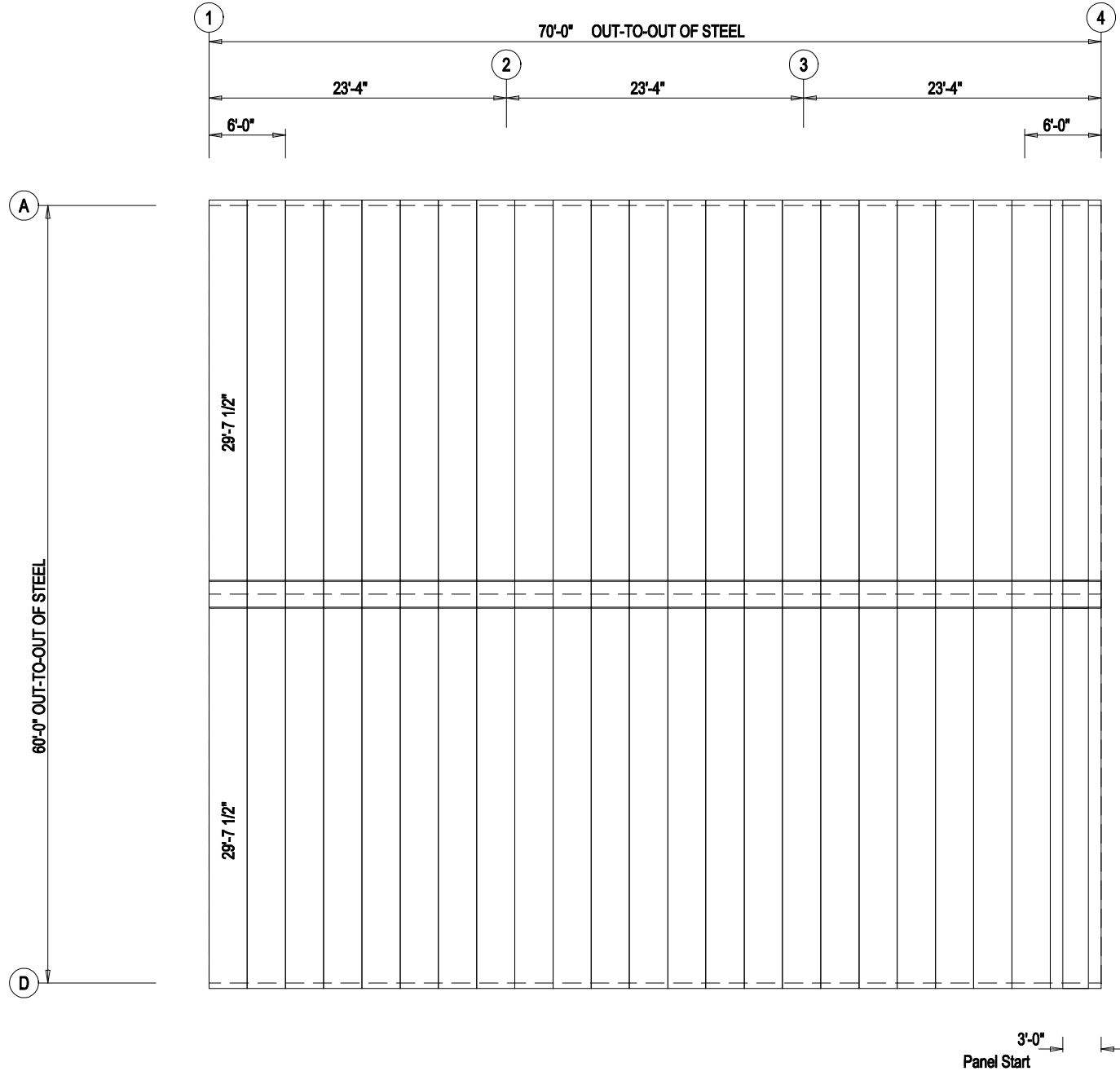
FLOOR PLAN

AMF Steel Buildings				
PROJECT	MEISMAN	FLOOR PLAN		
ID	PL21-1134-JA-REV2	DESIGN:	DRAFT:	CHECK:
PROJECT ADDRESS	Fountain, CO 80817	DATE: 12/13/21	SHEET	OF



ROOF FRAMING PLAN

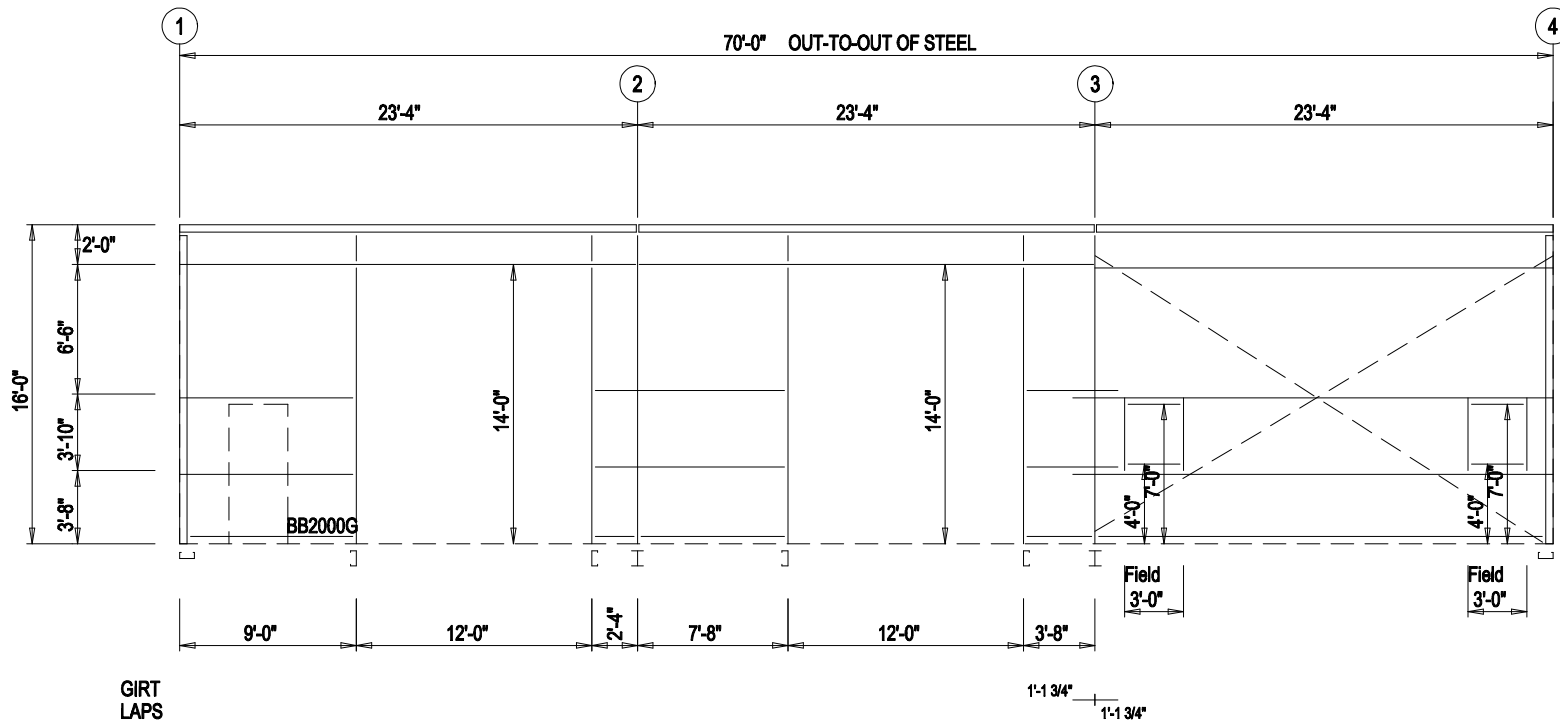
AMF Steel Buildings				
PROJECT	MEISMAN	ROOF FRAMING		
ID	PL21-1134-JA-REV2	DESIGN:	DRAFT:	CHECK:
PROJECT ADDRESS	Fountain, CO 80817	DATE: 12/13/21	SHEET	OF



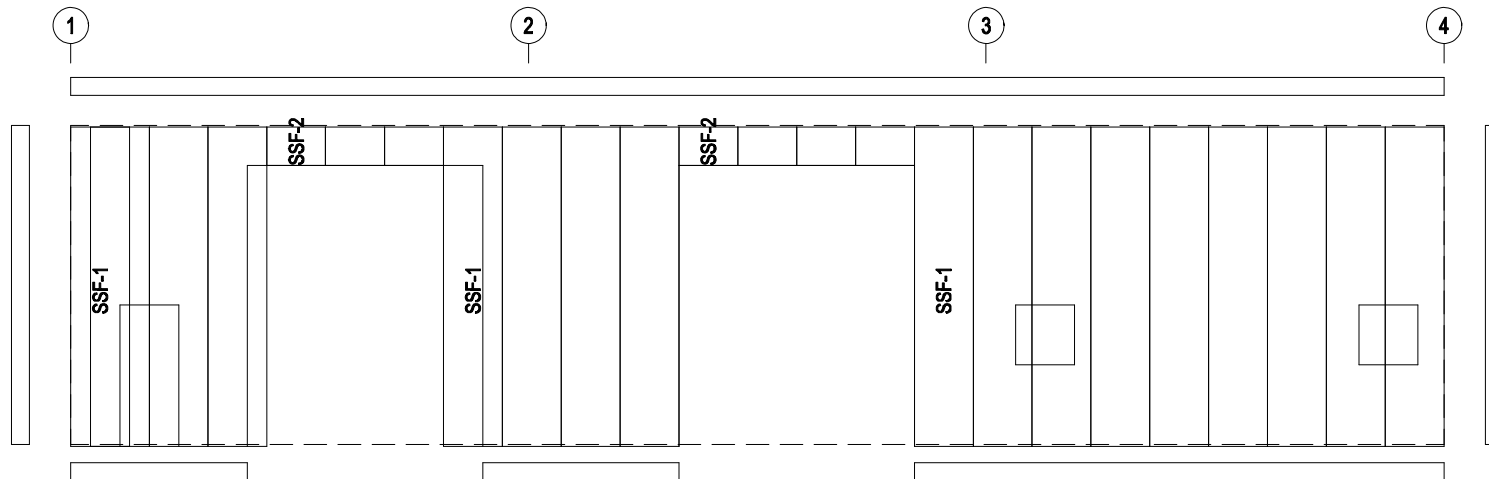
ROOF SHEETING PLAN

PANELS: 26 Ga. SX - Galvalume Plus

AMF Steel Buildings				
PROJECT	MEISMAN	ROOF SHEETING		
ID	PL21-1134-JA-REV2	DESIGN:	DRAFT:	CHECK:
PROJECT ADDRESS	Fountain, CO 80817	DATE: 12/13/21	SHEET	OF



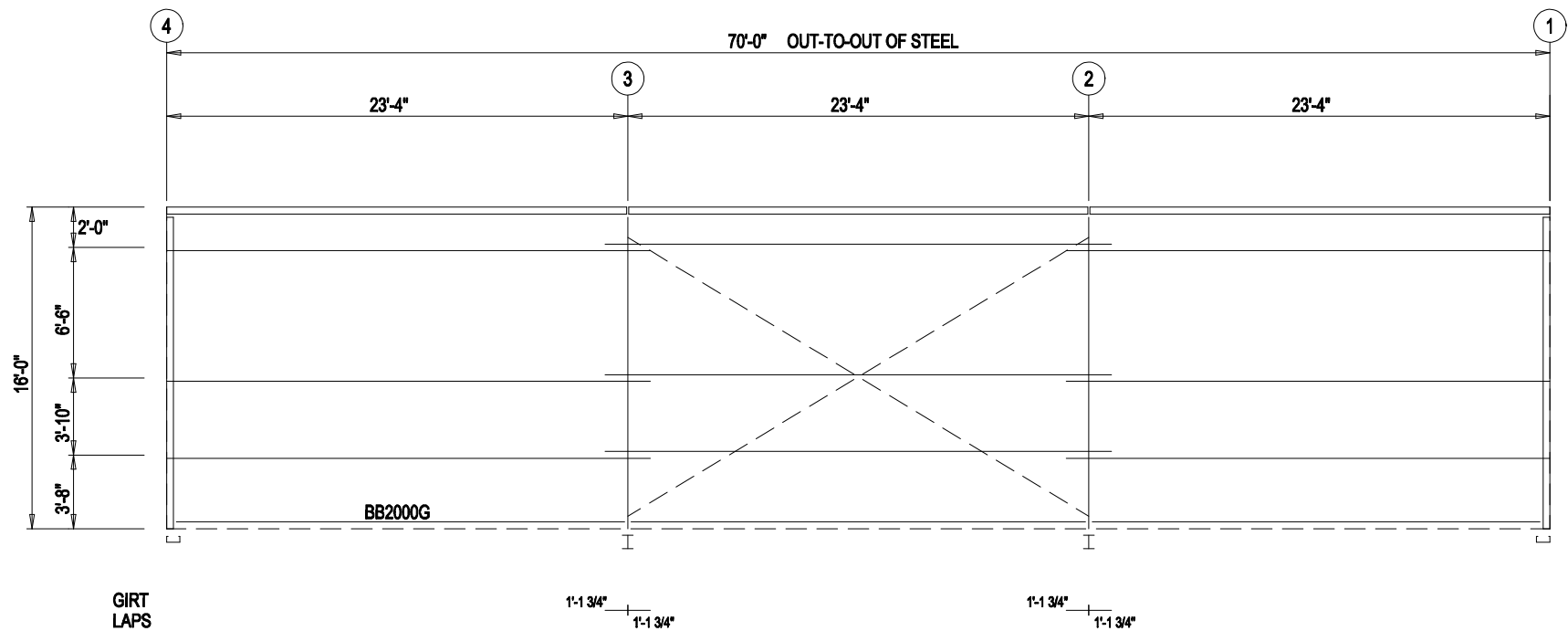
SIDEWALL FRAMING: FRAME LINE D



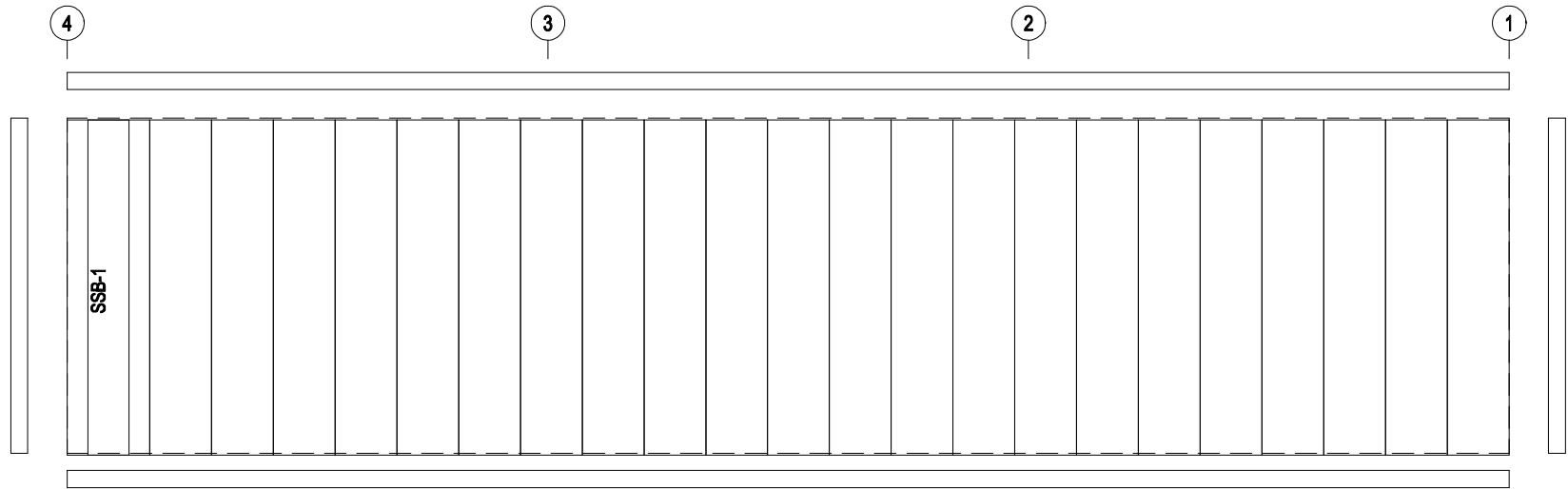
SIDEWALL SHEETING & TRIM: FRAME LINE D

PANELS: 26 Ga. SX - NEED COLOR

AMF Steel Buildings				
PROJECT	MEISMAN	SIDEWALL FRAMING		
ID	PL21-1134-JA-REV2	DESIGN:	DRAFT:	CHECK:
PROJECT ADDRESS	Fountain, CO 80817	DATE:	12/13/21	SHEET OF



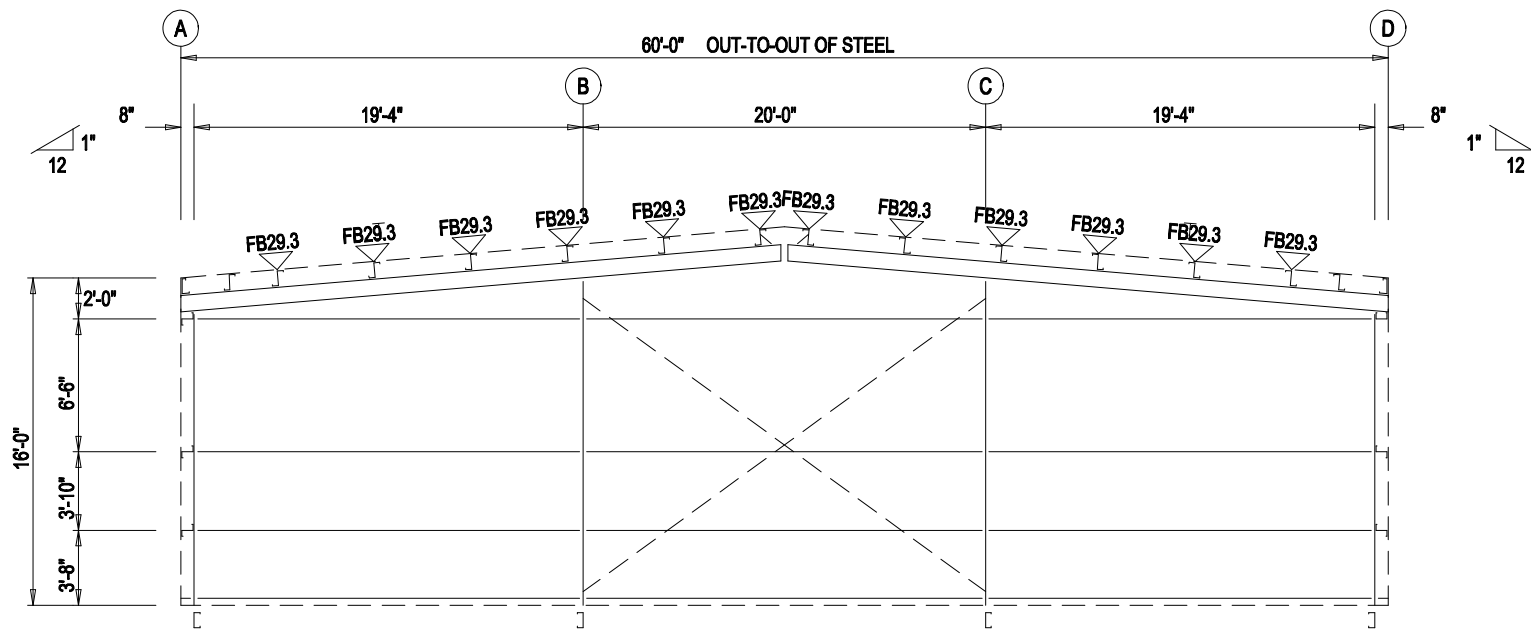
SIDEWALL FRAMING: FRAME LINE A



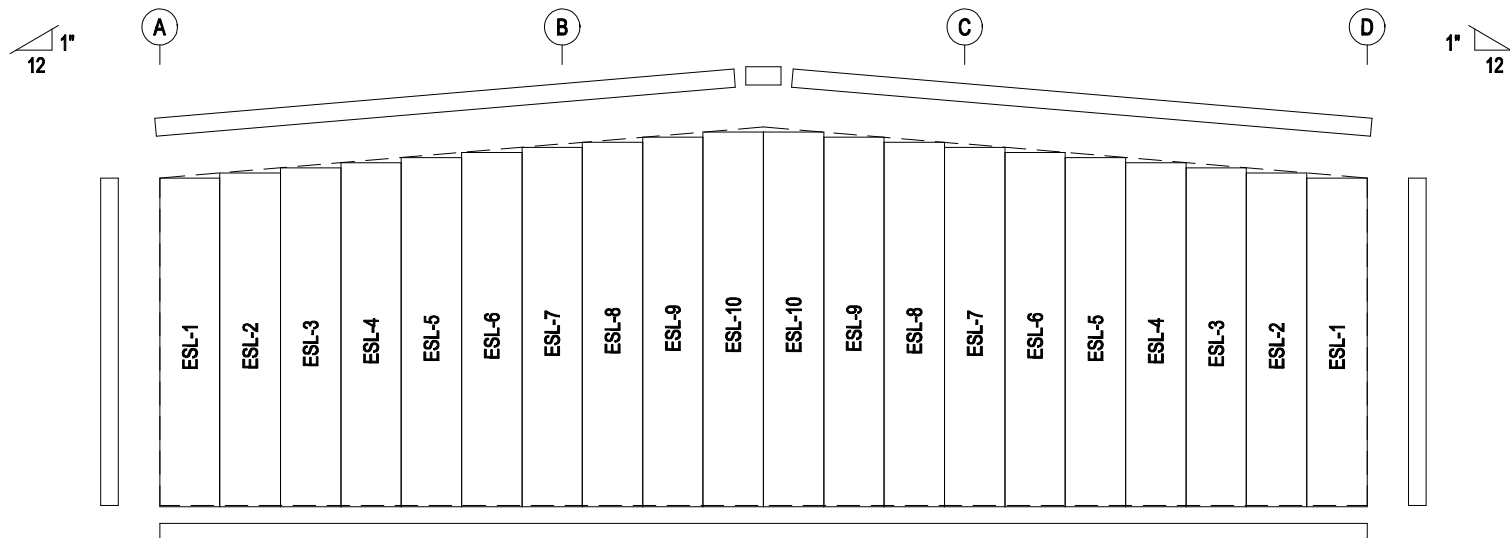
SIDEWALL SHEETING & TRIM: FRAME LINE A

PANELS: 26 Ga. SX - NEED COLOR

AMF Steel Buildings				
PROJECT	MEISMAN	SIDEWALL FRAMING		
ID	PL21-1134-JA-REV2	DESIGN:	DRAFT:	CHECK:
PROJECT ADDRESS	Fountain, CO 80817	DATE:	12/13/21	SHEET OF



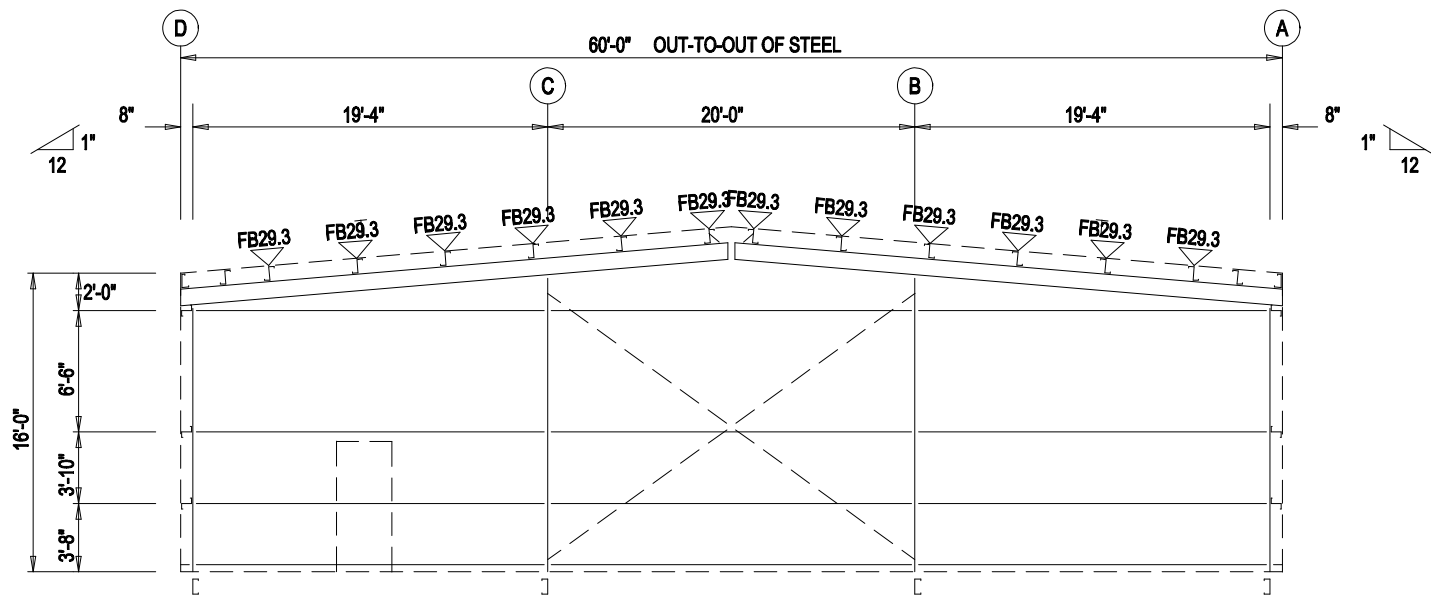
ENDWALL FRAMING: FRAME LINE 1



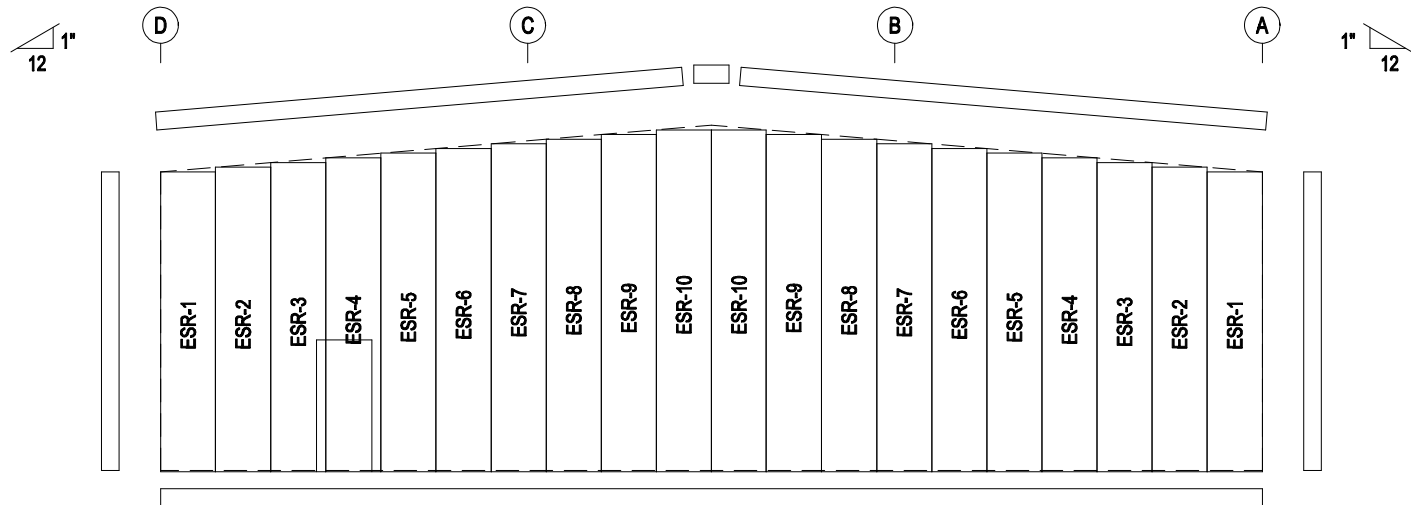
ENDWALL SHEETING & TRIM: FRAME LINE 1

PANELS: 26 Ga. SX - NEED COLOR

AMF Steel Buildings				
PROJECT	MEISMAN	ENDWALL FRAMING		
ID	PL21-1134-JA-REV2	DESIGN:	DRAFT:	CHECK:
PROJECT ADDRESS	Fountain, CO 80817	DATE:	12/13/21	SHEET OF



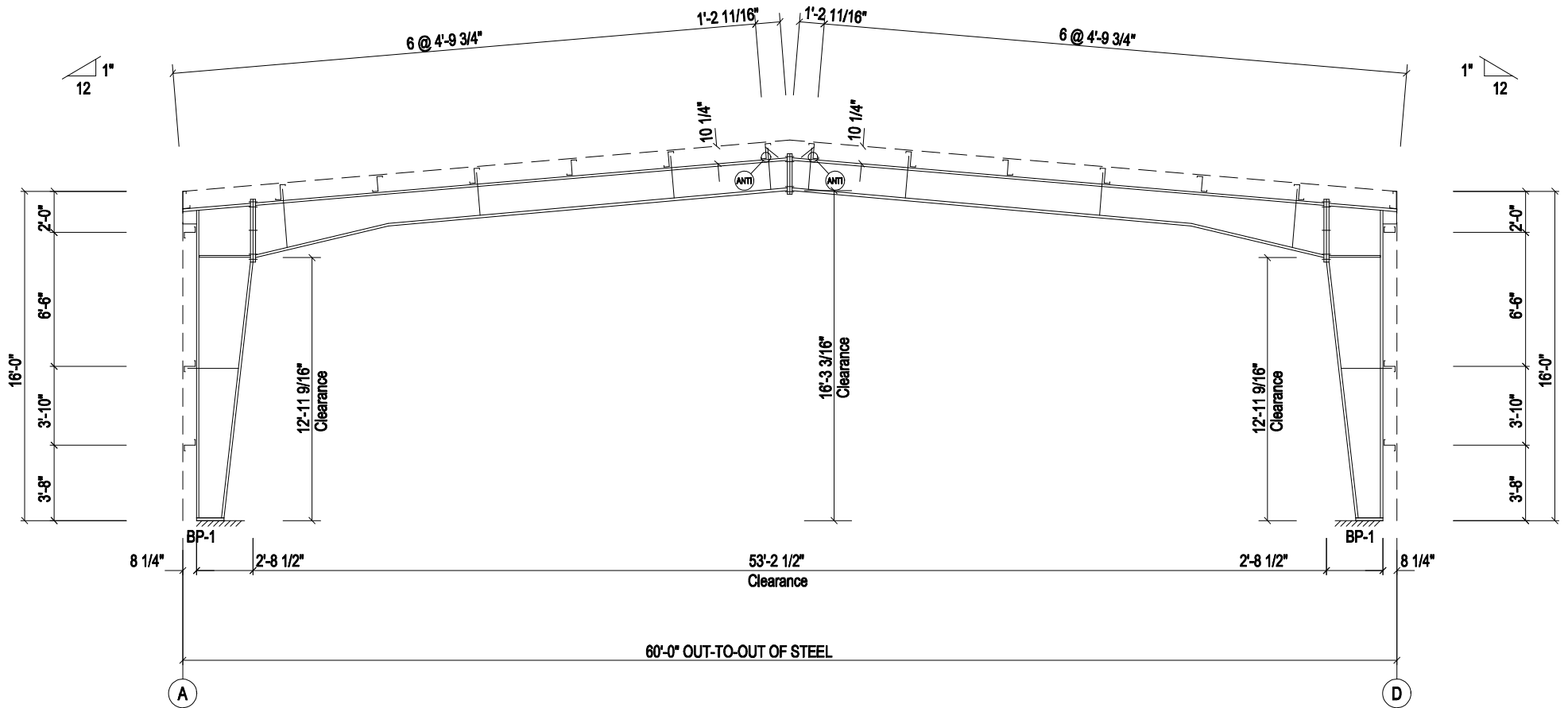
ENDWALL FRAMING: FRAME LINE 4



ENDWALL SHEETING & TRIM: FRAME LINE 4

PANELS: 26 Ga. SX - NEED COLOR

AMF Steel Buildings				
PROJECT	MEISMAN	ENDWALL FRAMING		
ID	PL21-1134-JA-REV2	DESIGN:	DRAFT:	CHECK:
PROJECT ADDRESS	Fountain, CO 80817	DATE: 12/13/21	SHEET	OF



RIGID FRAME ELEVATION: FRAME LINE 2 3

AMF Steel Buildings				
PROJECT	MEISMAN	RIGID FRAME ELEVATION		
ID	PL21-1134-JA-REV2	DESIGN:	DRAFT:	CHECK:
PROJECT ADDRESS	Fountain, CO 80817	DATE: 12/13/21	SHEET	OF