

### GENERAL FLOOR PLAN NOTES

REFERENCE DOOR SCHEDULE FOR ALL DOOR TYPES, HARDWARE AND ETC.

EXIT DOORS SHALL SWING IN THE DIRECTION OF EXIT TRAVEL WHEN SERVING ANY HAZARDOUS AREA OR WHEN SERVING AN OCCUPANT LOAD OF 50 OR MORE.

ALL GLAZING IN DOORS OR WITHIN TWENTY FOUR INCHES (24") OF DOORS AND WITHIN EIGHTEEN INCHES (18") OF WALKING SURFACE SHALL BE TEMPERED.

PROVIDE A DOOR CLOSERS AT ALL (1-HOUR WALL OR GREATER) DOORS AND RESTROOM DOORS.

SPRING AND MOTOR MOUNTS AND RELATED SUPPORTS TO BE SUPPLIED AND INSTALLED BY OVERHEAD DOOR MANUFACTURER.

PROVIDE CONTROL JOINTS AT A MIN. OF 30'-0" AT ALL GYP. BD WALLS.

PROVIDE TRANSITION STRIPS AT ALL FLOOR MATERIAL CHANGES.

PROVIDE CAP TRIM AT ALL LINER PANEL.

FINISH FLOOR ELEVATIONS ARE TO TOP OF CONCRETE, UNLESS NOTED OTHERWISE. FLOOR SLABS ARE TO BE LEVEL WITHIN CLASS B TOLERANCES. REFER TO CIVIL AND STRUCTURAL DRAWINGS FOR ADDITIONAL INFORMATION.

REFER TO PLUMBING PLANS FOR HOSE BIB LOCATIONS AND LANDSCAPE METER/STUB LOCATIONS

DOOR OPENINGS IN PARTITIONS NOT DIMENSIONED ARE TO BE LOCATED WITHIN 4" OF ADJACENT PERPENDICULAR PARTITION. PROVIDE 18" CLEAR AT STRIKE SIDE AND 12" ON PUSH SIDE OF DOOR OPENING.

ALL INTERIOR WALLS AND PARTITIONS SHALL BE TAPED AND SANDED SMOOTH TO RECEIVE PAINT OR WALL FINISH MATERIAL.

REFER TO ROOM FINISH SCHEDULE FOR WALL TEXTURE AND FINISH.

FURNISH AND INSTALL 16 GAUGE METAL STRAP FOR WALL BACKING AT DOOR STOPS, HANGING WALL, EQUIPMENT, ETC. VERIFY EXACT BACKING LOCATIONS PRIOR TO INSTALLATION.

PROVIDE AND LOCATE ACCESS DOORS AND PANELS IN THE WALL AS REQUIRED TO PROVIDE ACCESS TO FIRE SPRINKLER, PLUMBING AND ELECTRICAL WORK.

ALL PLUMBING CLEANOUTS SHALL BE INSTALLED WHERE READILY ACCESSIBLE. THE CONTRACTOR SHALL COORDINATE ALL CLEAN-OUT LOCATIONS WITH EQUIPMENT. PROPER CAPS MUST BE INSTALLED PRIOR TO COMPLETION OF INTERIOR AND EXTERIOR.

PROVIDE AND INSTALL STIFFENERS, BRACING, BACK-UP PLATES AND/OR SUPPORTING BRACKETS AS REQUIRED FOR THE INSTALLATION OF WALL MOUNTED OR SUSPENDED, ELECTRICAL AND MISC. EQUIPMENT.

ALL EXTERIOR DOORS MUST OPEN OVER A LANDING NOT MORE THEN 1/2" BELOW THRESHOLD.

PROVIDE A SLIP-TRACK ASSEMBLY AT ALL PARTITION WALLS THAT GO TO BOTTOM OF DECK OR STRUCTURE.

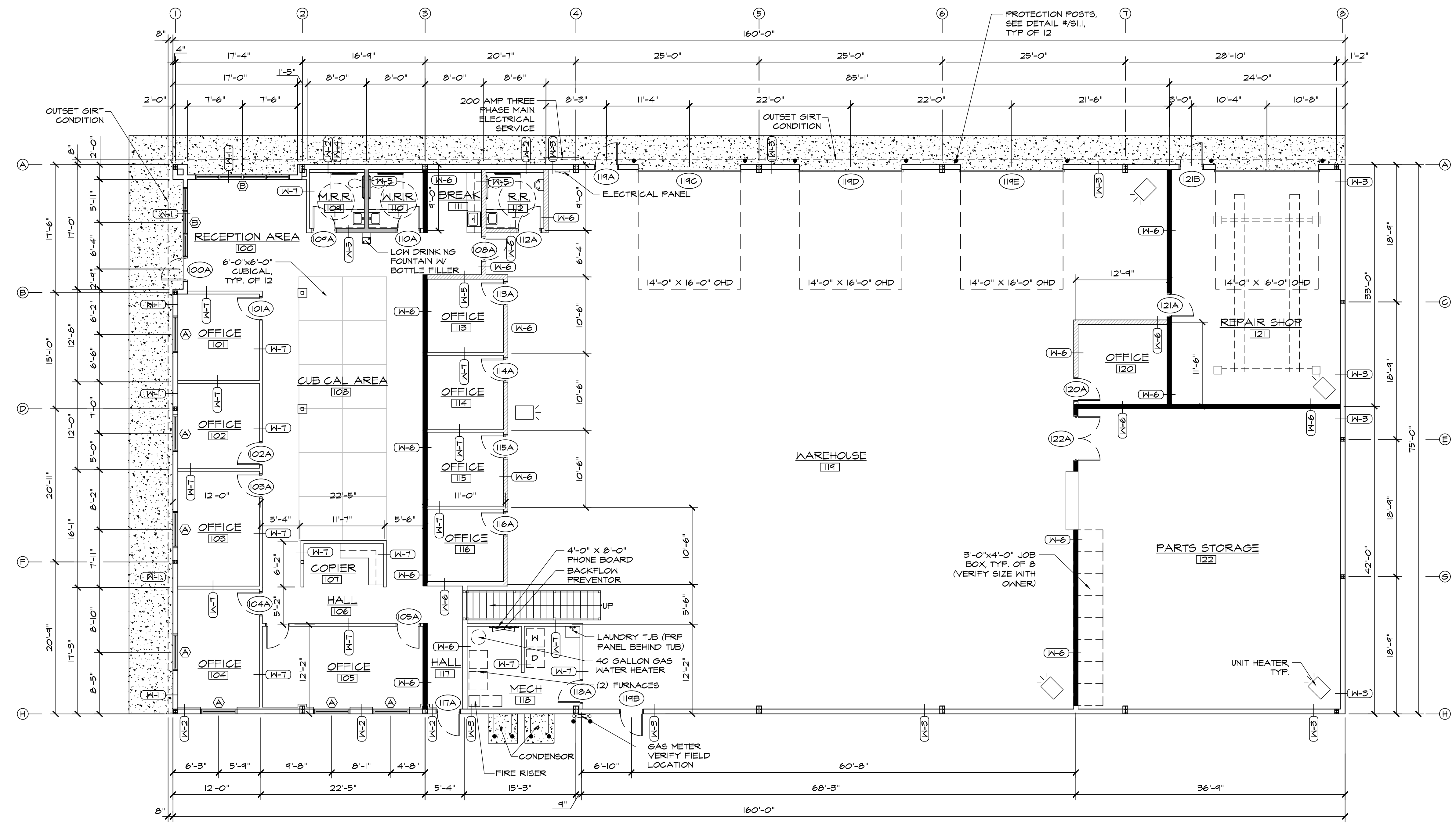
PREPARE ALL FLOOR SURFACES AND WALLS AS REQUIRED TO RECEIVE FINISHES.

REFER TO CIVIL AND A.O.I FOR ALL EXTERIOR SIDEWALK LOCATIONS.

ALL MECH., ELEC. & PLUMB. REQUIREMENTS FOR EQUIPMENT SHOWN TO BE VERIFIED & COORD. W/ G.C. PRIOR TO INSTALLATION.

REFER TO MECH., ELEC. & PLUMB. FOR BUILDING SYSTEMS EQUIPMENT.

PROVIDE SAW CUT IN CONCRETE SLAB AT A MIN. OF 10'-0" O.C.



**1ST FLOOR PLAN**  
SCALE: 1/8"=1'-0"

FOR DP SUBMITTAL ONLY

**HAMMERS CONSTRUCTION INC.**  
COMMERCIAL GENERAL CONTRACTORS SPECIALIZING IN DESIGN/BUILD  
PRESIDENT: STEVE R. HAMMERS  
VICE PRES: DAVID J. HAMMERS  
1411 WOODLEY HEIGHTS  
COLORADO SPRINGS, CO 80915  
(719) 570-1599 FAX (719) 570-7008  
www.hammersconstruction.com

THIS DRAWING CONTAINS MATERIAL & INFORMATION WHICH MAY NOT BE REPRODUCED WITHOUT WRITTEN CONSENT OF HAMMERS CONSTRUCTION INC. THESE DRAWINGS ARE INTENDED TO BE USED ONLY BY HAMMERS CONSTRUCTION & ITS REPRESENTATIVES. THESE DRAWINGS HAVE NOT BEEN PREPARED FOR ANY OTHER PURPOSE THAN TO INDICATE THE GENERAL FEATURES AND PLACEMENT OF THE PROPOSED PROJECT. COPYRIGHT © 2021 HAMMERS CONSTRUCTION

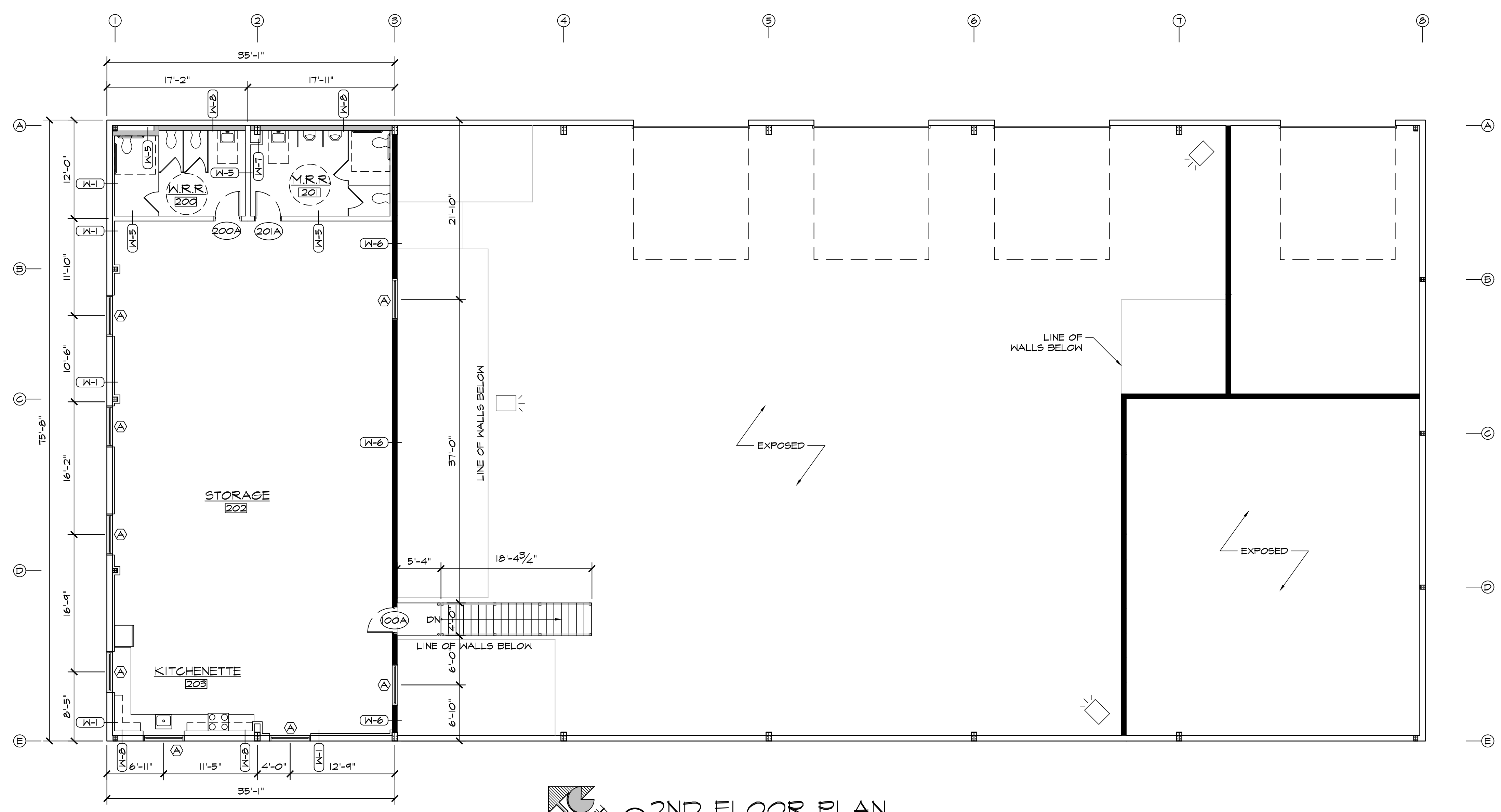
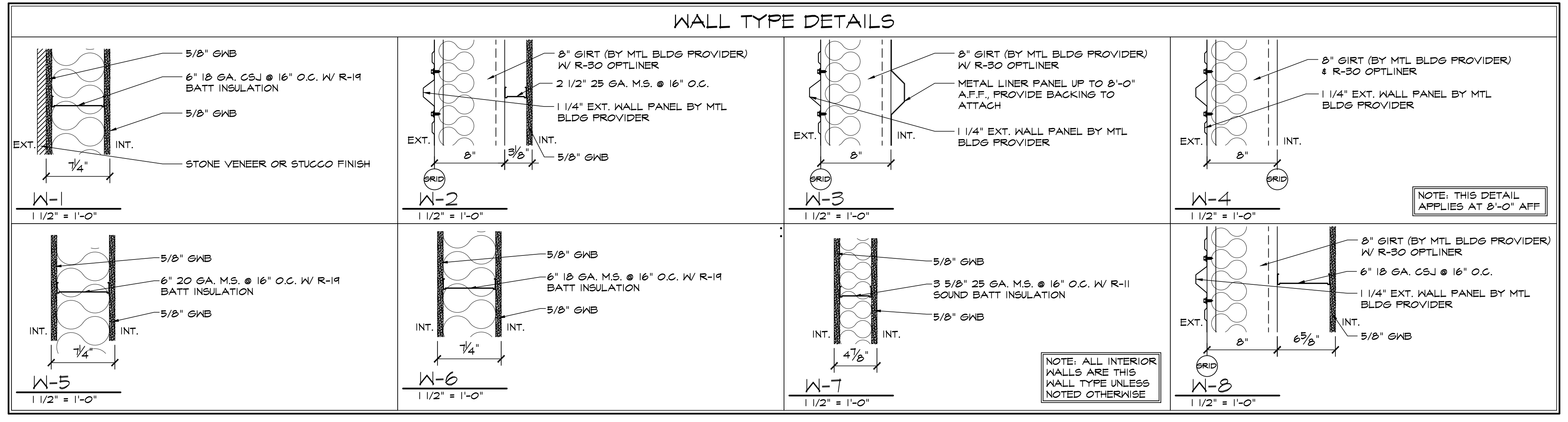
**SMITH PLUMBING & HTG**  
1875 MAIN STREET  
COLORADO SPRINGS, CO 80911  
EL PASO COUNTY, COLORADO

DATE: AUG 27, 2021  
DRAWN BY: J. LATHAM  
PROJ. MGR: R. GREEN  
SCALE: SEE PLAN  
APPROVED BY:  
JOB NO: 1244

REVISIONS:


**A1.1**  
1ST FLOOR PLAN

FLOOR PLAN LEGEND	
	FULL HEIGHT WALL
	6" MTL STUD, 9' HIGH WALL
	6" MTL STUD, 12' HIGH WALL
	9'-0" HIGH WALL



**2ND FLOOR PLAN**  
 SCALE: 1/8"=1'-0"

FOR DP SUBMITTAL ONLY

**HAMMERS CONSTRUCTION INC.**

COMMERCIAL GENERAL CONTRACTORS SPECIALIZING IN DESIGN/BUILD  
 PRESIDENT: STEVE R. HAMMERS  
 VICE PRES: DAVID J. HAMMERS  
 1411 WOOLSEY HEIGHTS  
 COLORADO SPRINGS, CO 80915  
 (719) 570-1599 FAX (719) 570-7008  
 www.hammersconstruction.com

THIS DRAWING CONTAINS MATERIAL & INFORMATION WHICH MAY NOT BE REPRODUCED WITHOUT WRITTEN CONSENT OF HAMMERS CONSTRUCTION INC. THESE DRAWINGS ARE INTENDED TO BE USED ONLY BY HAMMERS CONSTRUCTION & ITS REPRESENTATIVES. THESE DRAWINGS HAVE NOT BEEN PREPARED FOR ANY OTHER PURPOSE THAN TO INDICATE THE GENERAL FEATURES AND PLACEMENT OF THE PROPOSED PROJECT. COPYRIGHT © 2021 HAMMERS CONSTRUCTION

**SMITH PLUMBING & HTG**

1875 MAIN STREET  
 COLORADO SPRINGS, CO 80911  
 EL PASO COUNTY, COLORADO


DATE: AUG 27, 2021  
 DRAWN BY: J. LATHAM  
 PROJ. MGR: R. GREEN  
 SCALE: SEE PLAN  
 APPROVED BY:  
 JOB NO: 1244

REVISIONS:

A1.2

2ND FLOOR PLAN