

PLANNING / LANDSCAPE ARCHITECT

IN ASSOCIATION WITH

WINSOME

SITE DETAILS

DATE: 8/3/2020
PROJECT MGR: A. BARLOW
PREPARED BY: B. SWENSON

SEAL

BID SET

ISSUE INFO

DATE	BY	DESCRIPTION

ISSUE / REVISION

COVER

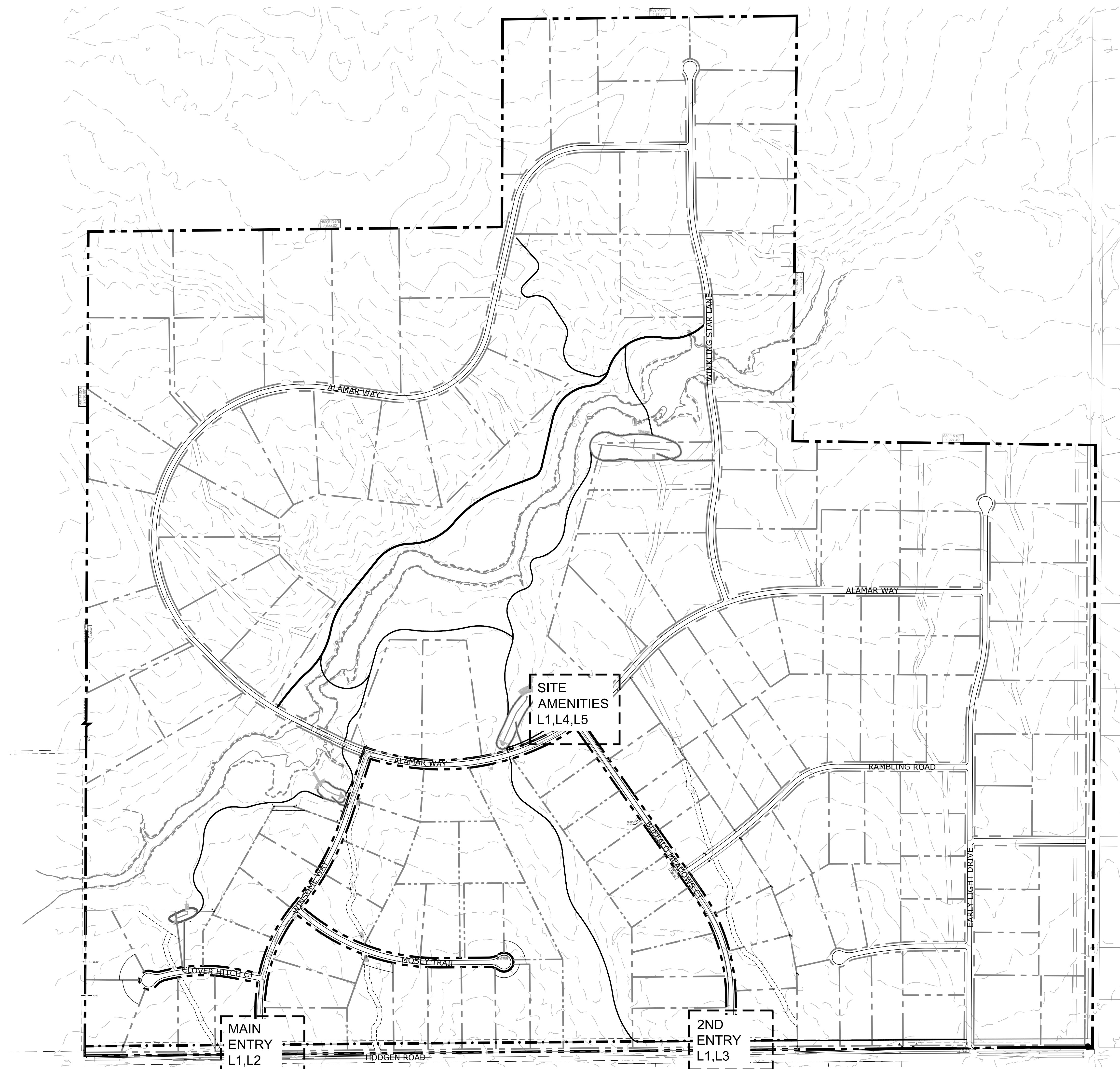
SHEET TITLE

C

1 OF 7

SHEET NUMBER

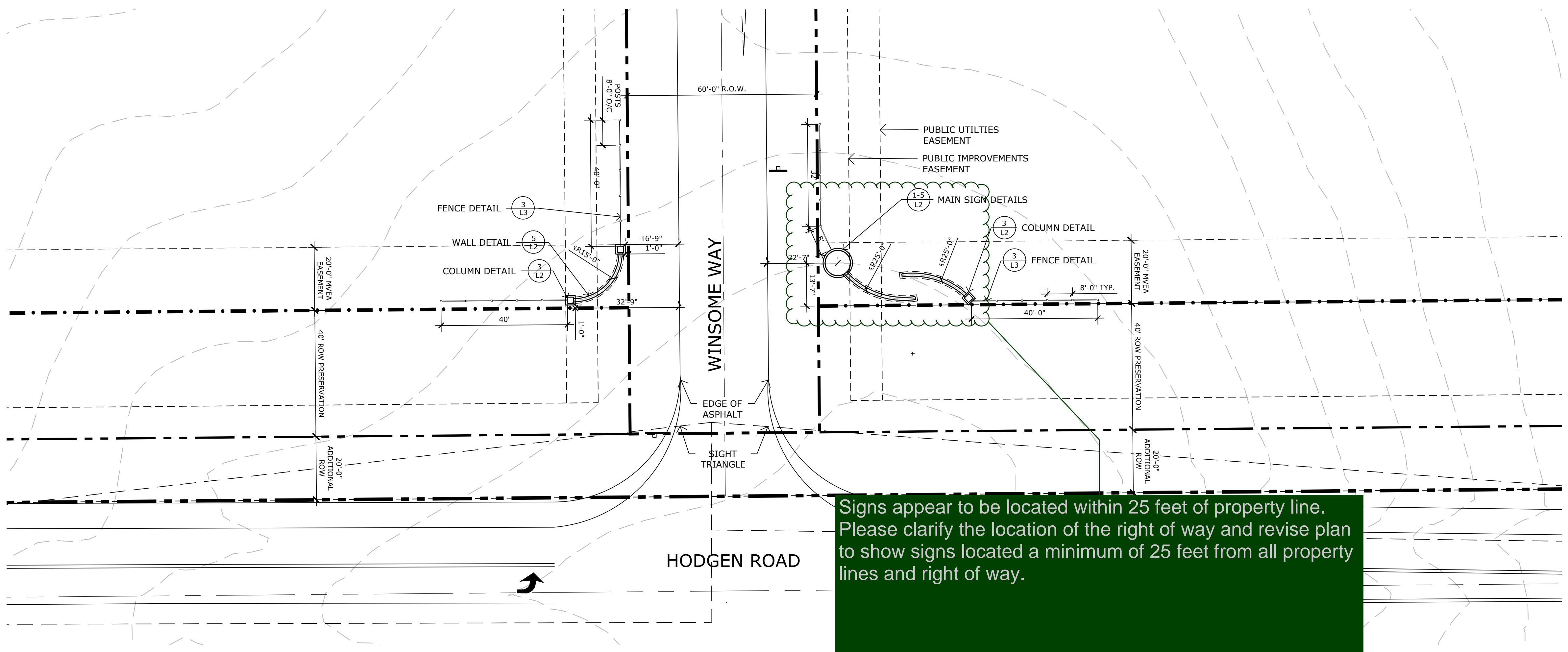
PLANTING



SHEET INDEX

- Sheet C: Cover Sheet
- Sheet L1: Layout Plans
- Sheet L2: Main Entry Details
- Sheet L3: Secondary Entry Details
- Sheet L4: Mail Kiosk & Trailhead Details
- Sheet L5: Fire Pit Details
- Sheet L6: Trail System Signage Plan & Details

PLANNING / LANDSCAPE ARCHITECT



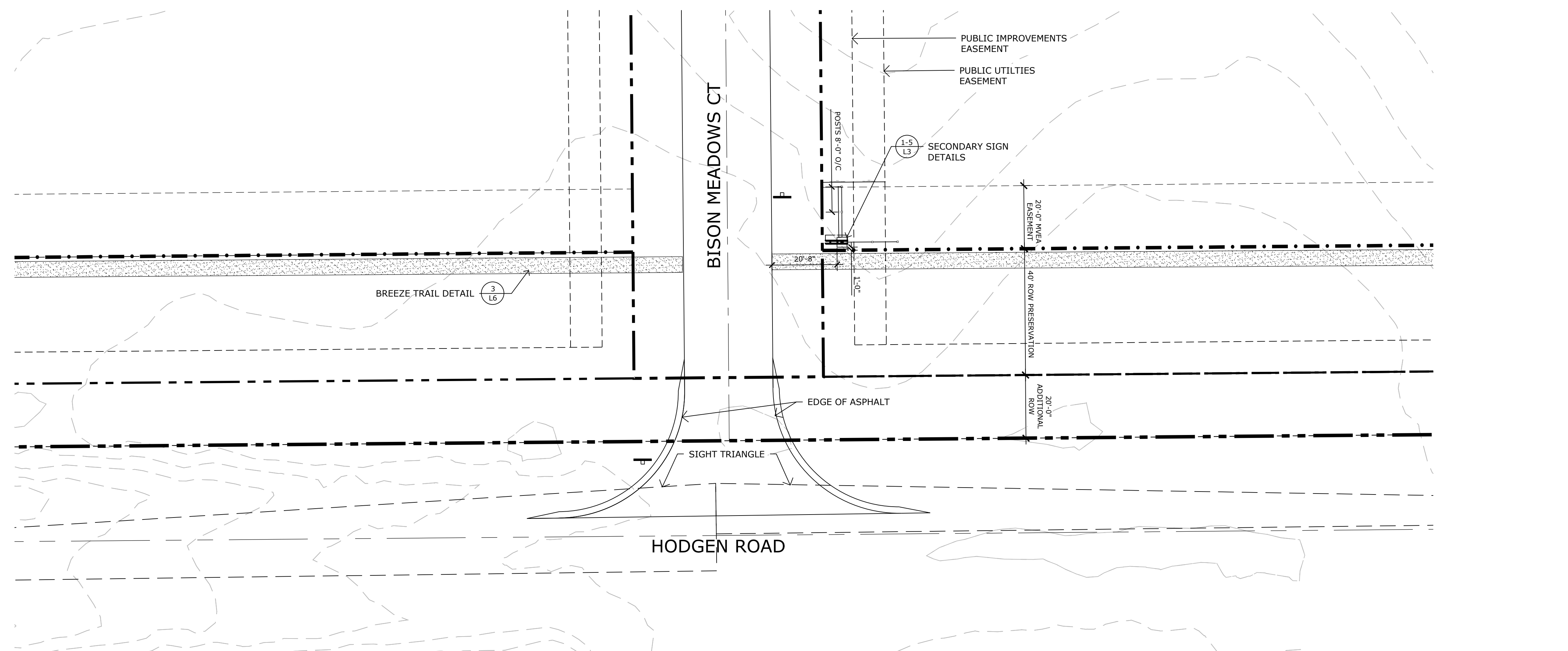
Signs appear to be located within 25 feet of property line. Please clarify the location of the right of way and revise plan to show signs located a minimum of 25 feet from all property lines and right of way.

1 WINSOME MAIN ENTRY SIGN
L1 LAYOUT PLAN

WINSOME

SITE DETAILS

PROJECT INFO
DATE: 8/3/2020
PROJECT MGR: A. BARLOW
PREPARED BY: B. SWENSON



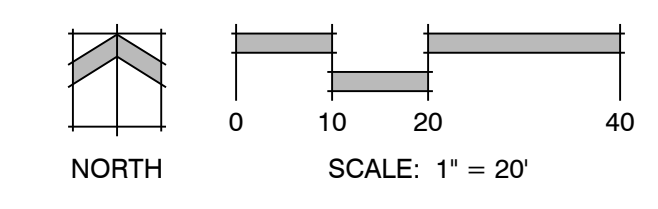
2 WINSOME SECONDARY ENTRY SIGN
L1 LAYOUT PLAN

BID SET

DATE:	BY:	DESCRIPTION:

LAYOUT PLANS

L1
2 OF 7



P:\Pro Terra\McCune Ranch\Drawings\LA-Arch\Site Details\Winsome_SiteDetails_CD's.dwg (LAYOUT PLANS) 8/14/2020 4:32:57 PM bswenson

PLANNER / LANDSCAPE ARCHITECT

IN ASSOCIATION WITH

SEAL

ISSUE INFO

ISSUE / REVISION

SHEET TITLE

SHEET NUMBER

PLANTING

WINSOME

SITE DETAILS

PROJECT INFO	DATE:	8/3/2020
	PROJECT MGR:	A. BARLOW
	PREPARED BY:	B. SWENSON

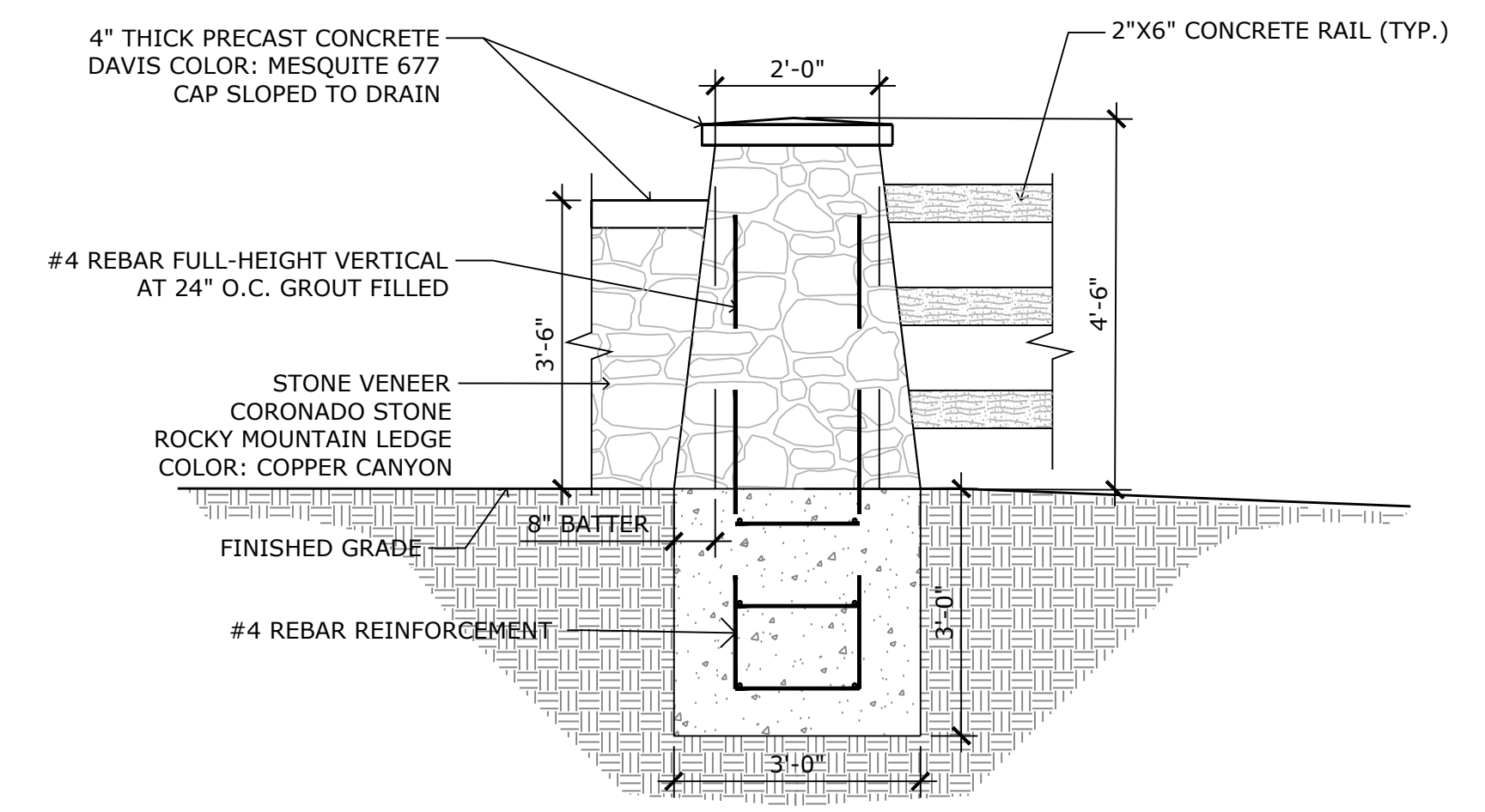
BID SET

DATE	BY	DESCRIPTION

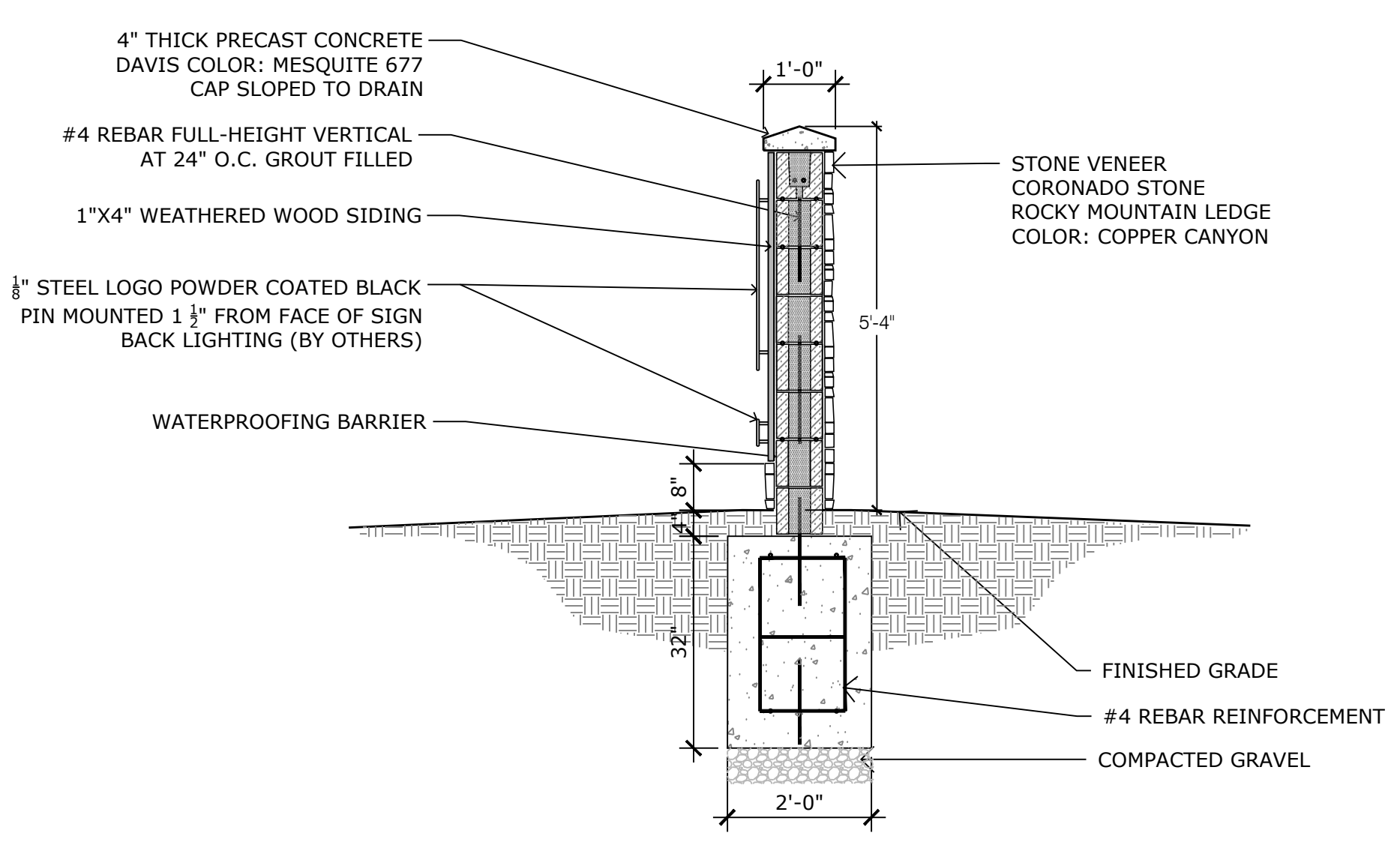
MAIN ENTRY
SIGN DETAILS

L2

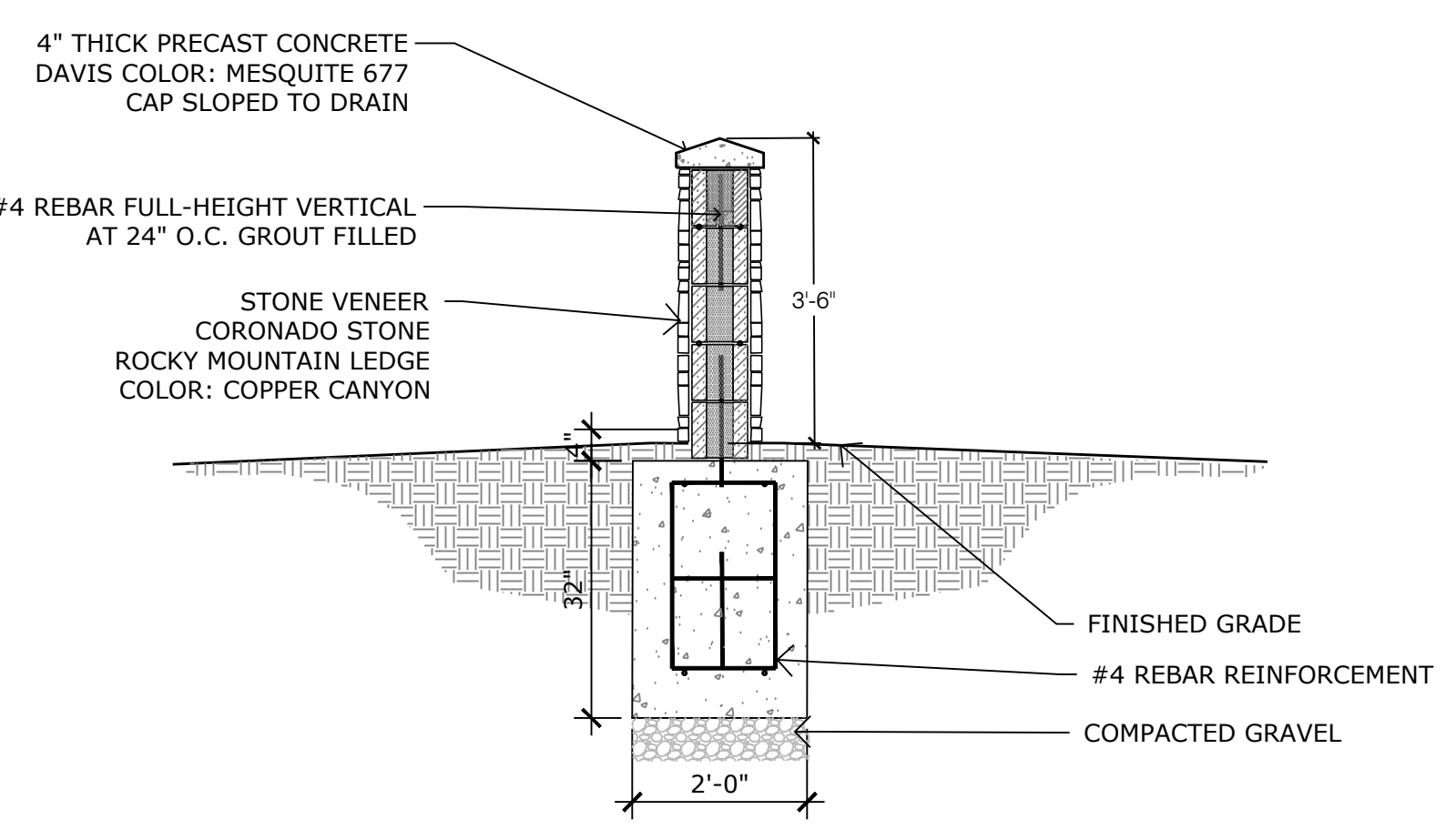
3 OF 7



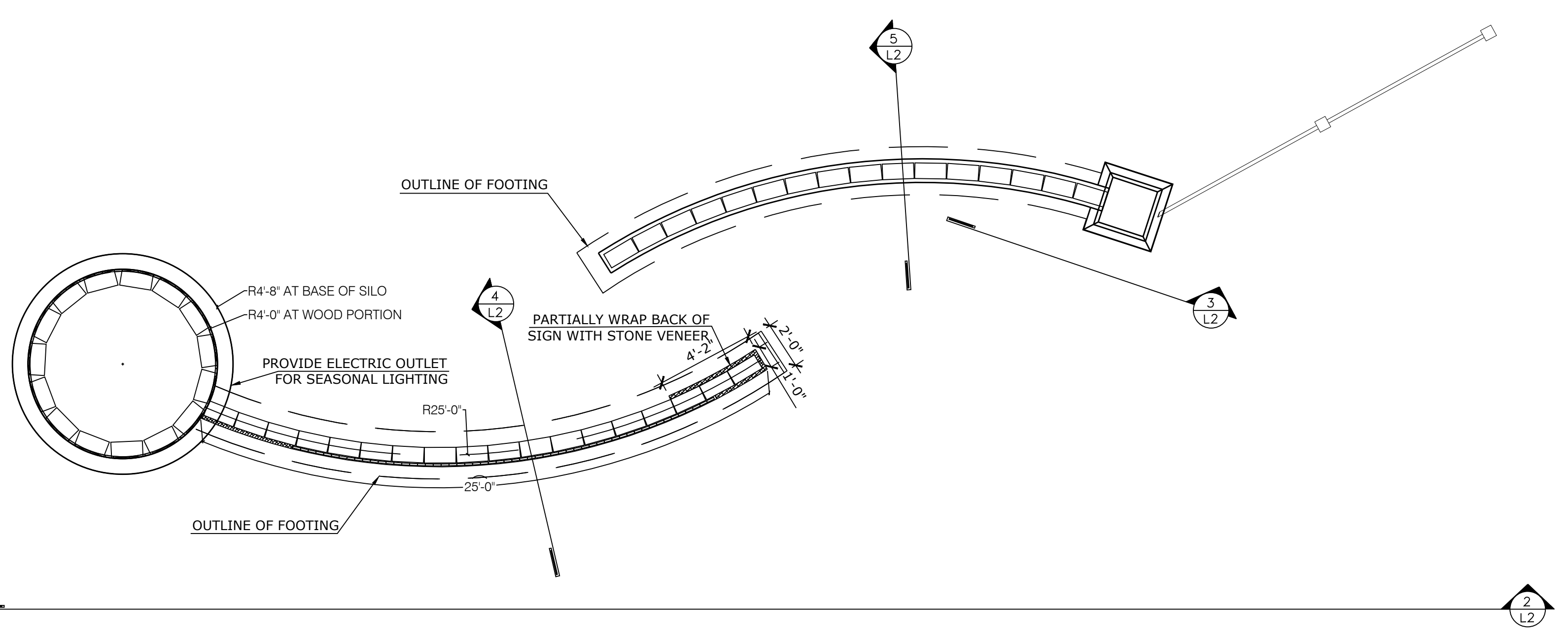
3 FENCE/WALL COLUMN DETAIL
L2 SCALE: 1/2" = 1'-0"



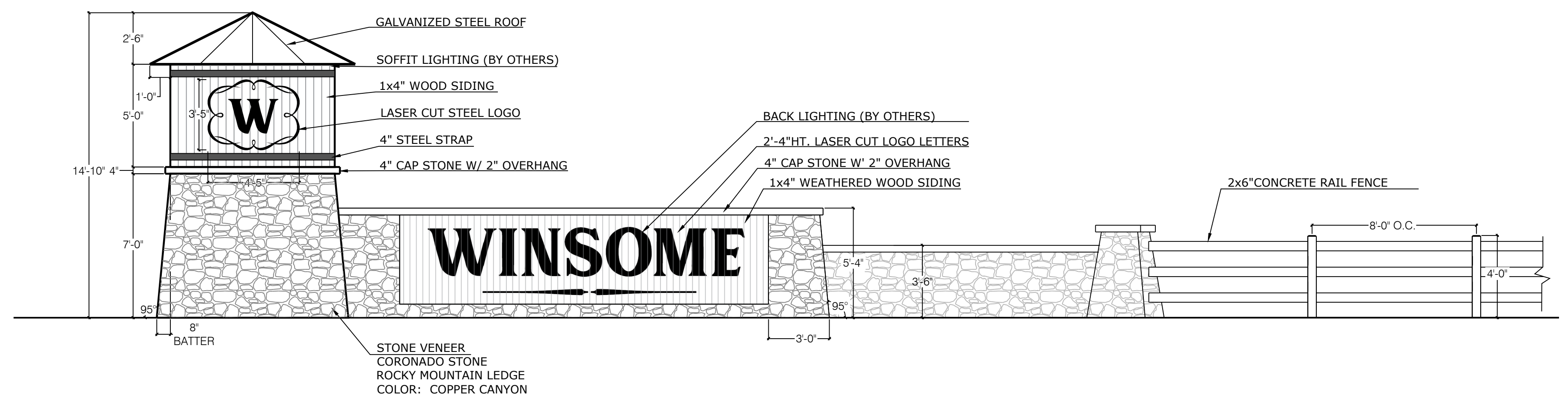
4 SIGN WALL SECTION
L2 SCALE: 1/2" = 1'-0"



5 REAR WALL SECTION
L2 SCALE: 1/2" = 1'-0"

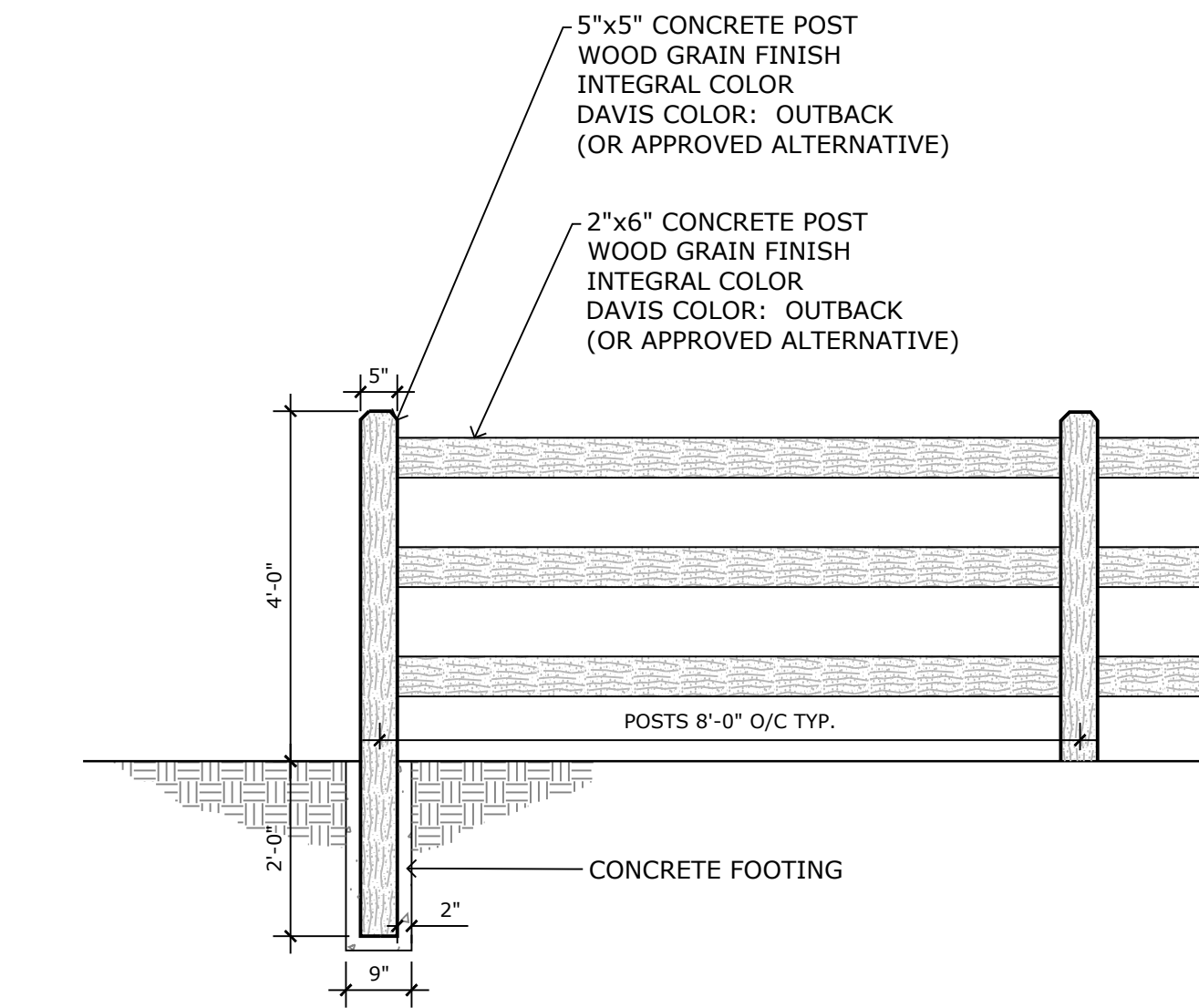
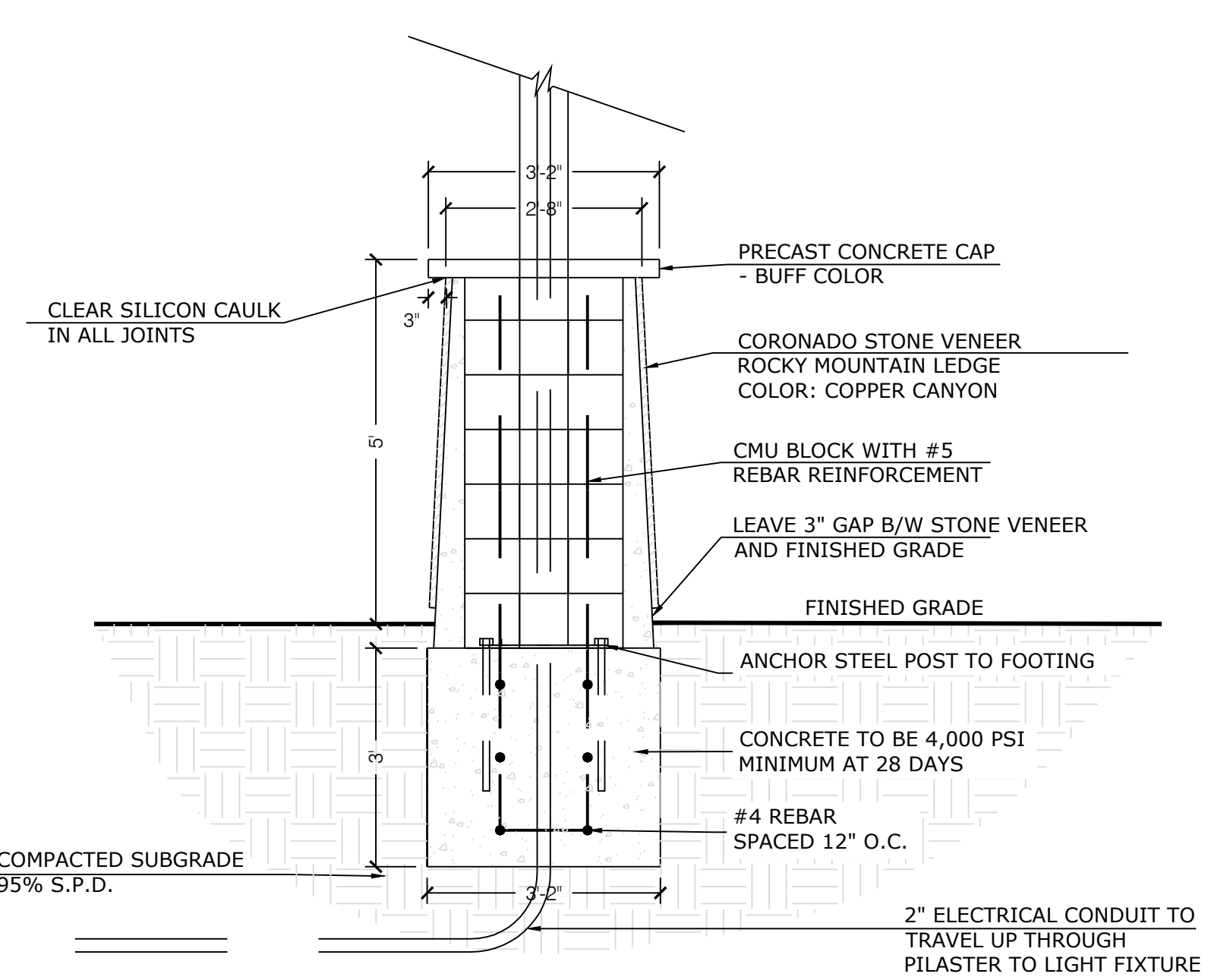
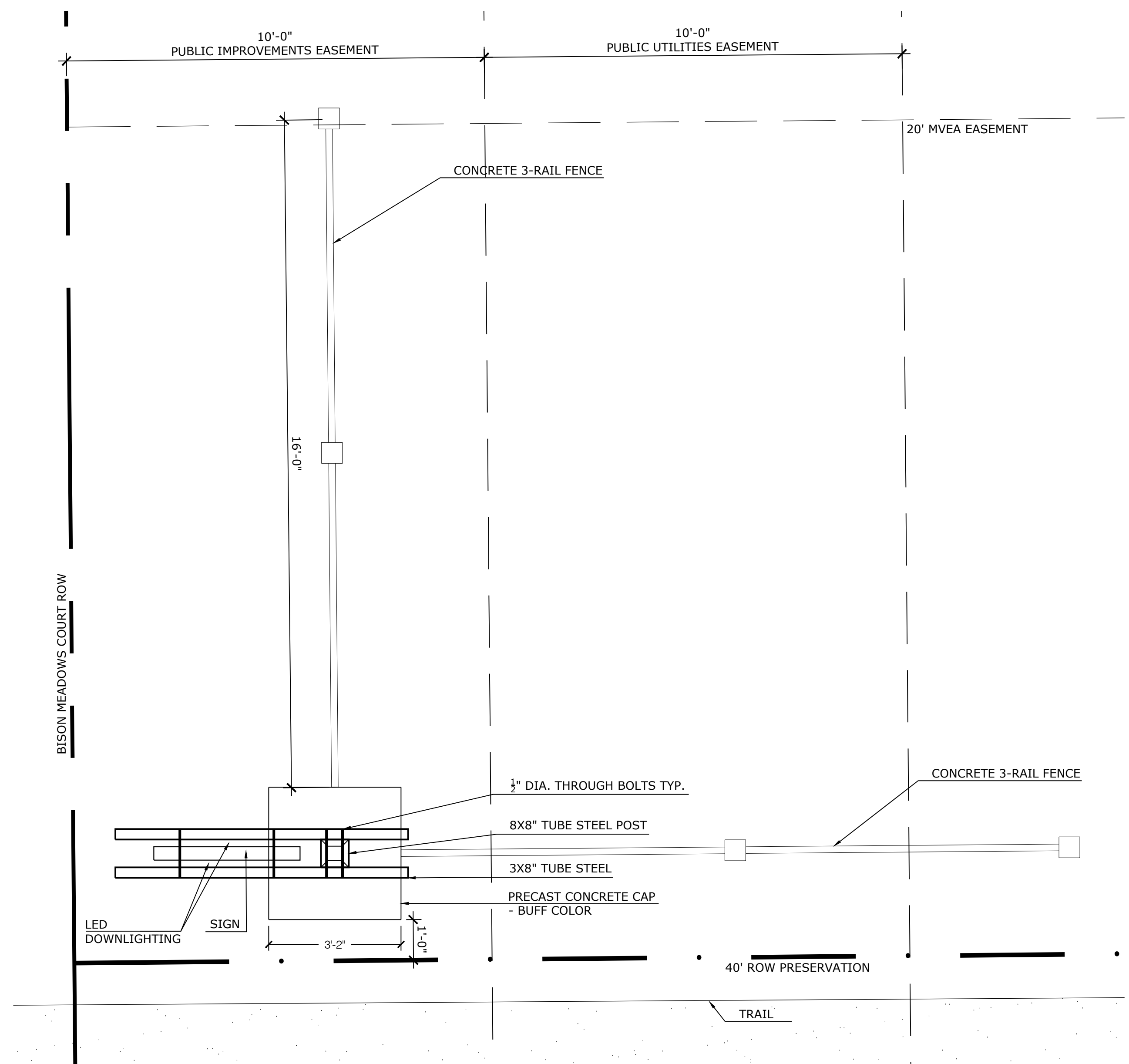


1 WINSOME MAIN SIGN PLAN
L2 SCALE: 1/4" = 1'-0"



2 WINSOME MAIN SIGN FRONT ELEVATION
L2 SCALE: 1/4" = 1'-0"

P:\Pro Terra\McCune Ranch\Drawings\Site Details\Winsome_SiteDetails_CD's.dwg [MAIN_SIGN] 8/14/2020 3:45:37 PM bswenson



NOTES:
1. AVAILABLE FROM DERKSEN FENCING: (719) 309-6513.
2. CONTRACTOR TO PROVIDE COLORED SAMPLE TO BE REVIEWED BY LANDSCAPE ARCHITECT AND OWNER.

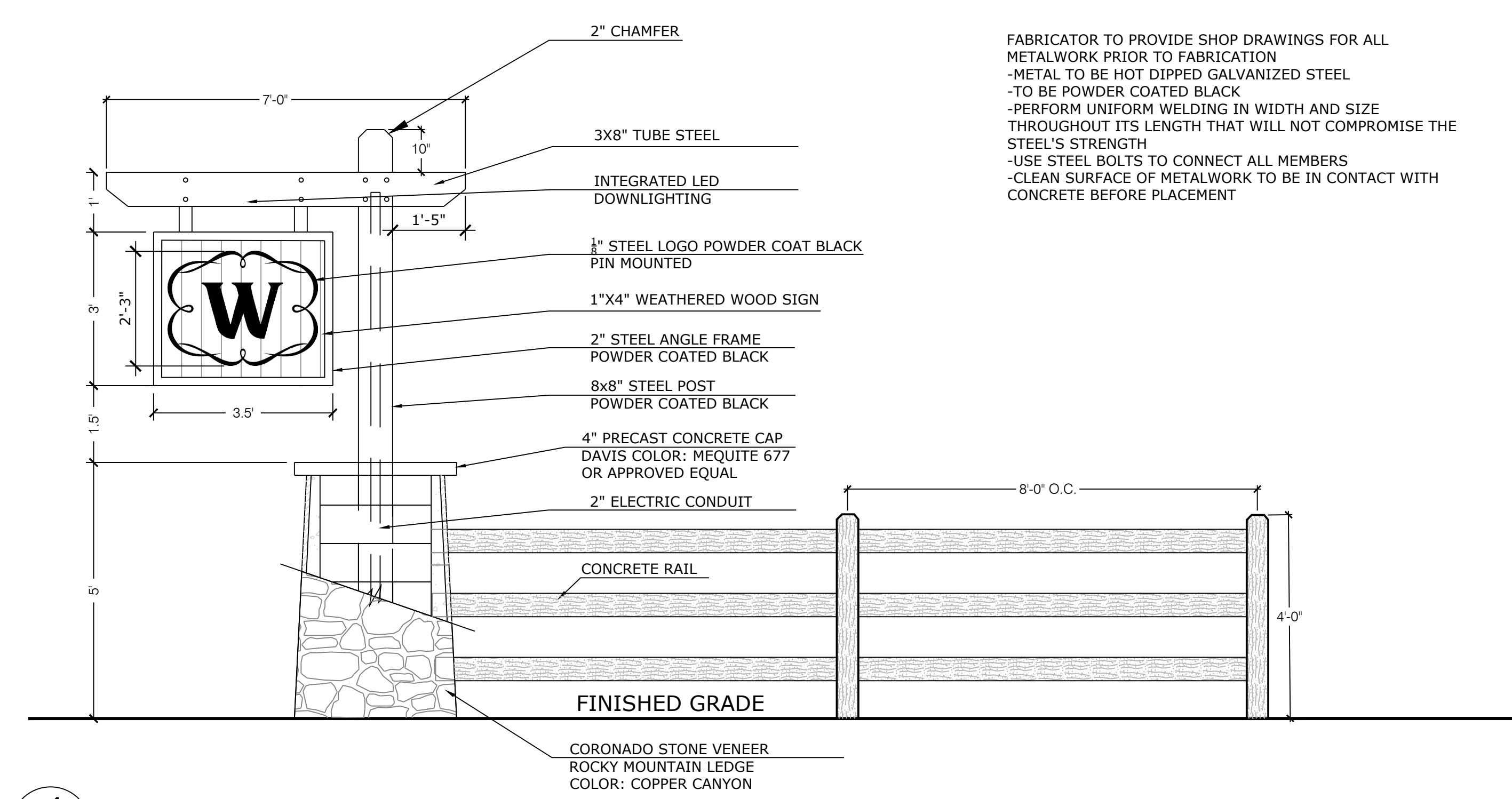
1 WINSOME SECONDARY SIGN
L3 PLAN
SCALE: 1/2" = 1'-0"

2 WINSOME SECONDARY SIGN
L3 FOOTING DETAIL
SCALE: 1/2" = 1'-0"

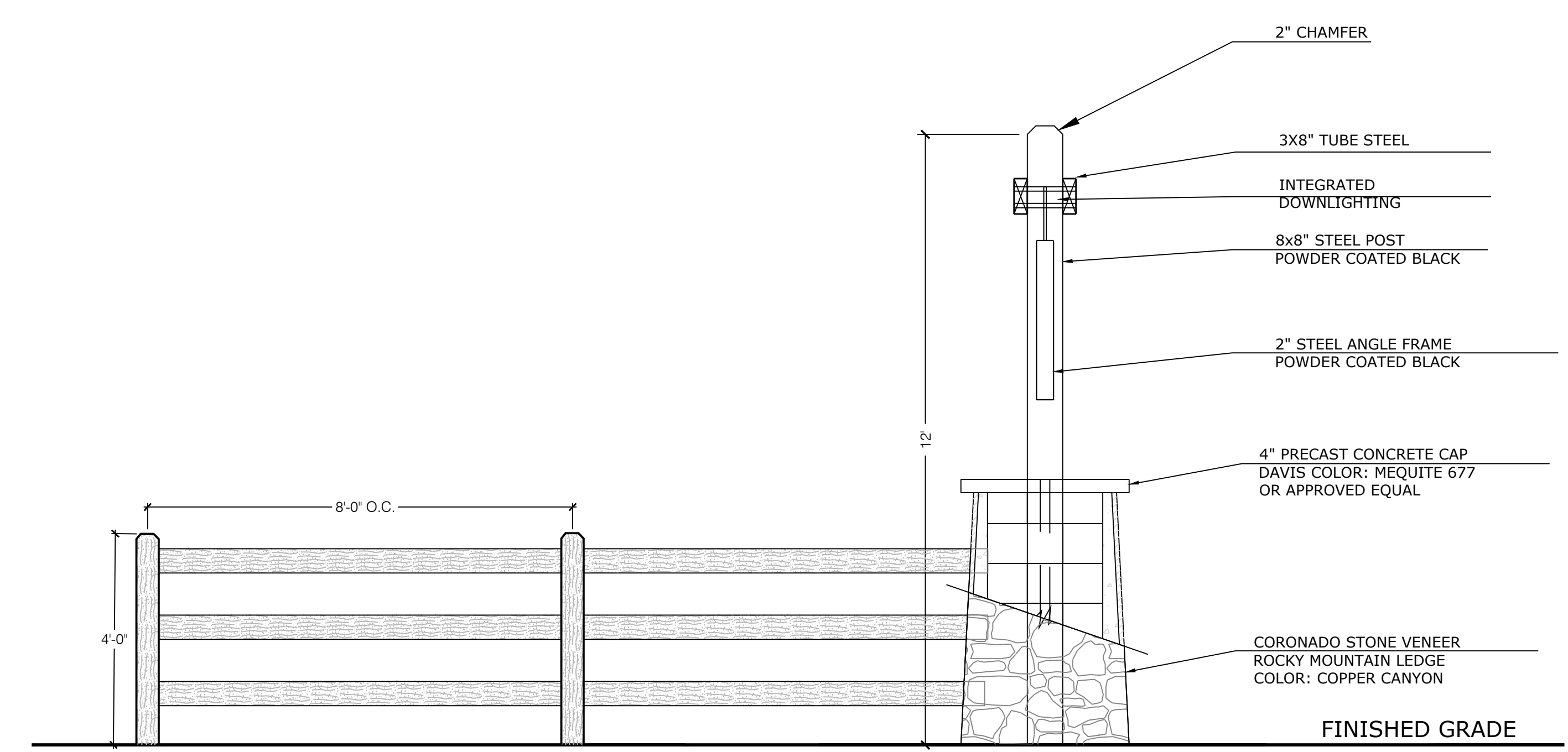
3 CONCRETE FENCE DETAIL
L3
SCALE: 1/2" = 1'-0"

WINSOME
SITE DETAILS

PROJECT INFO	DATE:	8/3/2020
	PROJECT MGR:	A. BARLOW
	PREPARED BY:	B. SWENSON



4 SECONDARY SIGN
L3 FRONT ELEVATION/SECTION
SCALE: 1/2" = 1'-0"



5 SECONDARY SIGN
L3 SIDE ELEVATION/SECTION
SCALE: 1/2" = 1'-0"

BID SET

DATE:	BY:	DESCRIPTION:

SECONDARY SIGN
DETAILS

L3
4 OF 7

PLANNER / LANDSCAPE ARCHITECT

IN ASSOCIATION WITH

WINSOME
SITE DETAILS

PROJECT INFO
DATE: 8/3/2020
PROJECT MGR: A. BARLOW
PREPARED BY: B. SWENSON

SCALE

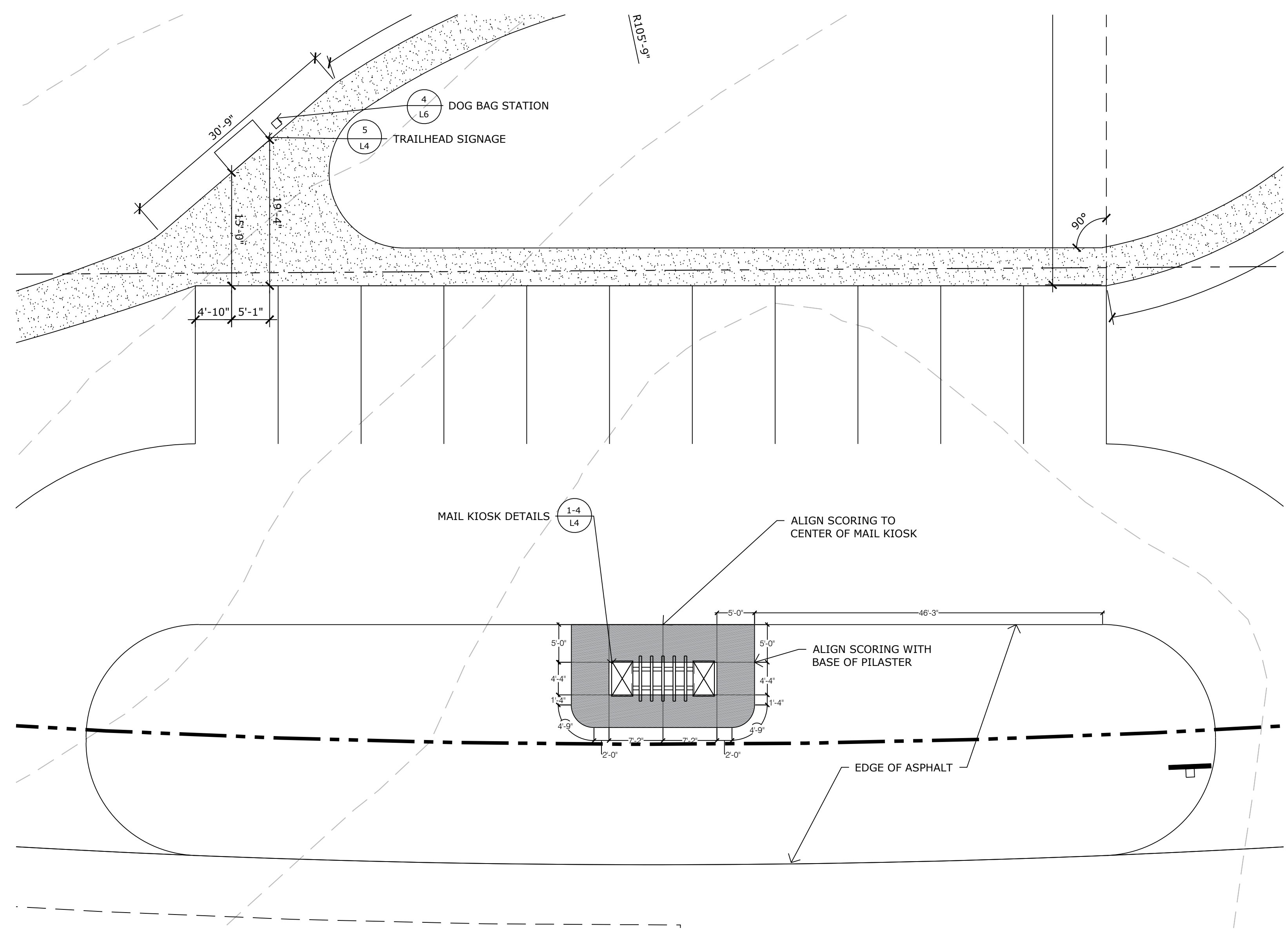
BID SET

DATE:	BY:	DESCRIPTION:

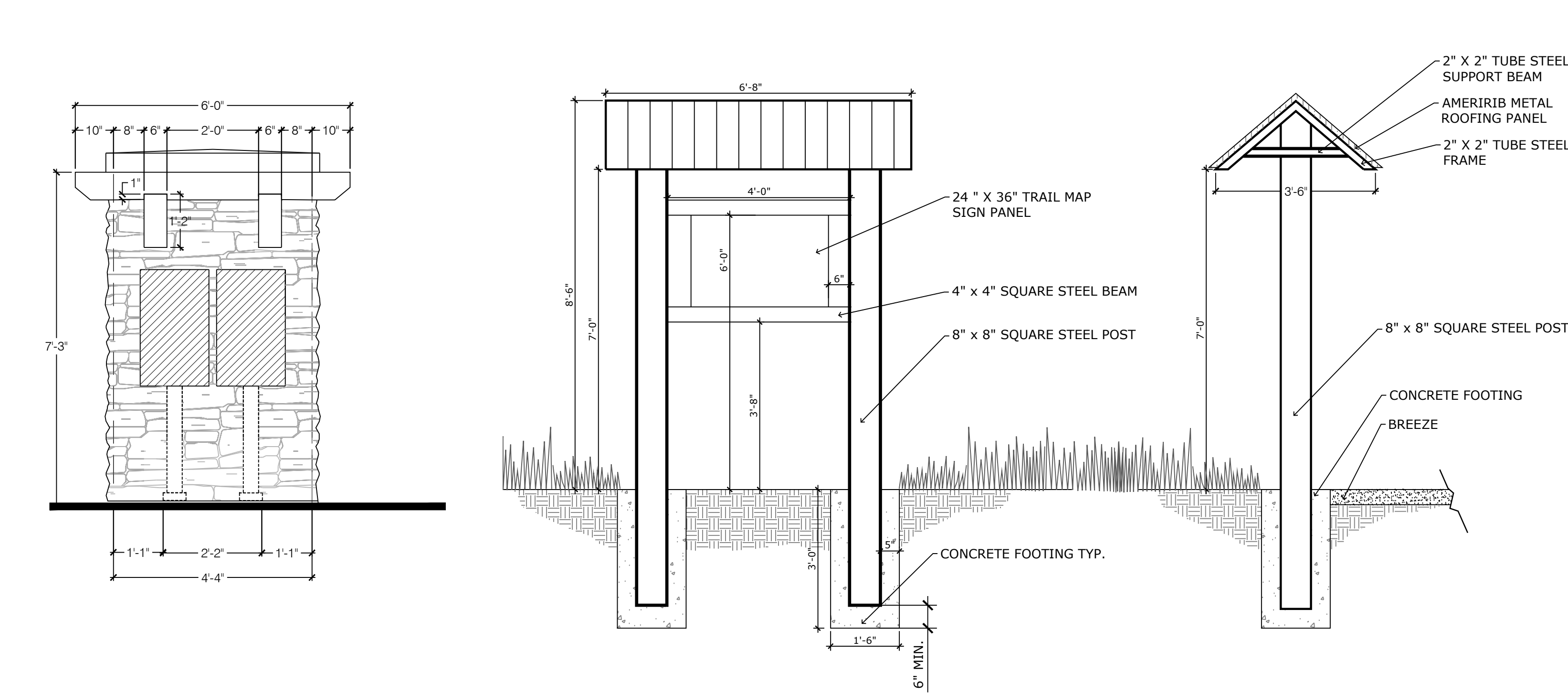
MAIL KIOSK & TRAIL SIGNAGE DETAILS

L4
5 OF 7

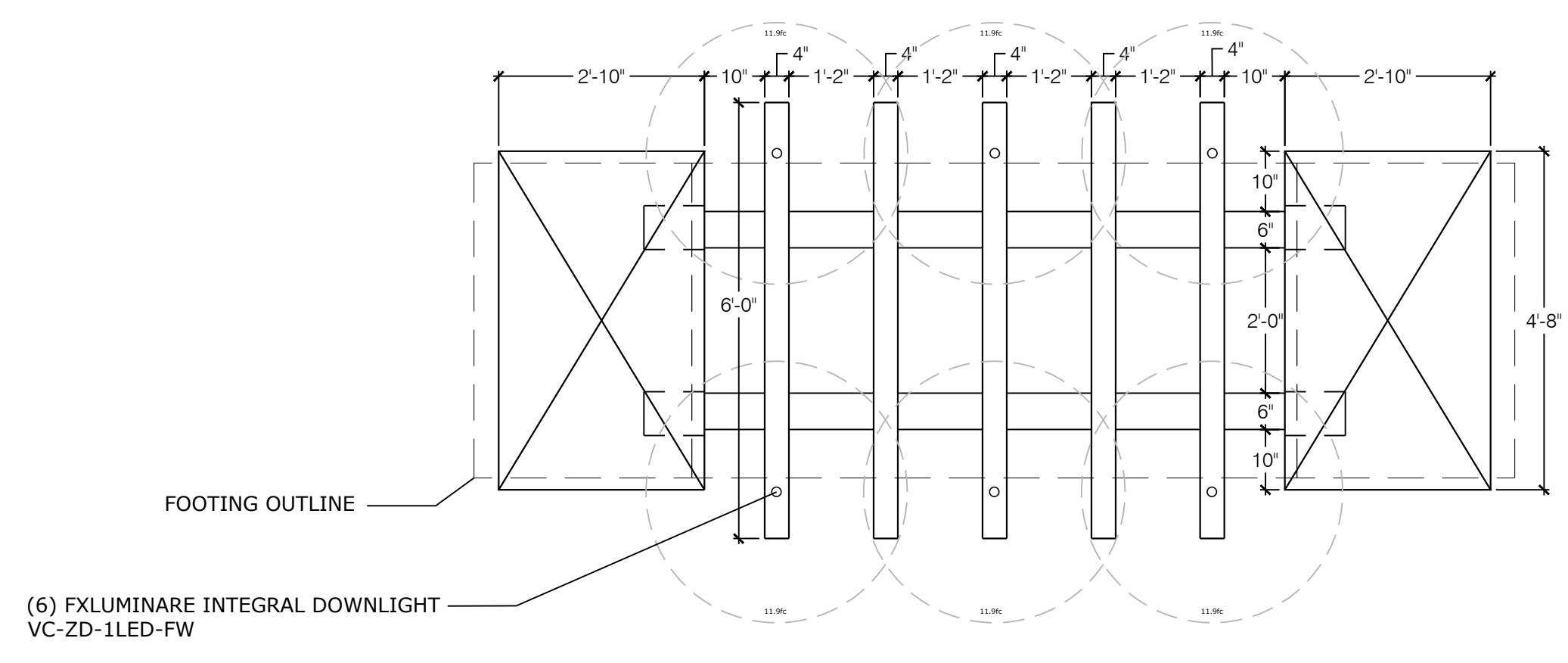
SHEET NUMBER



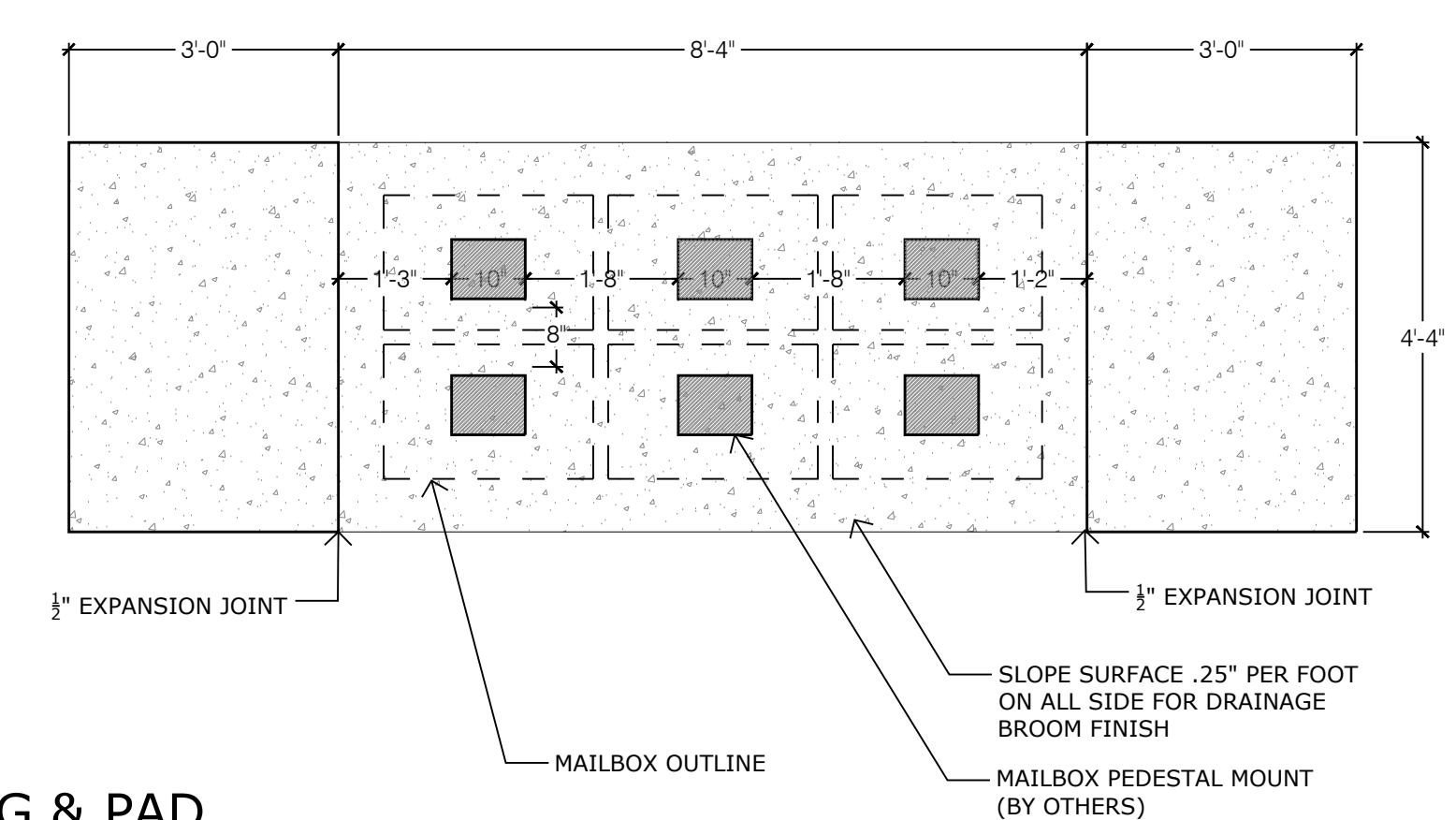
6 MAIL KIOSK LAYOUT PLAN
SCALE: 1" = 10'



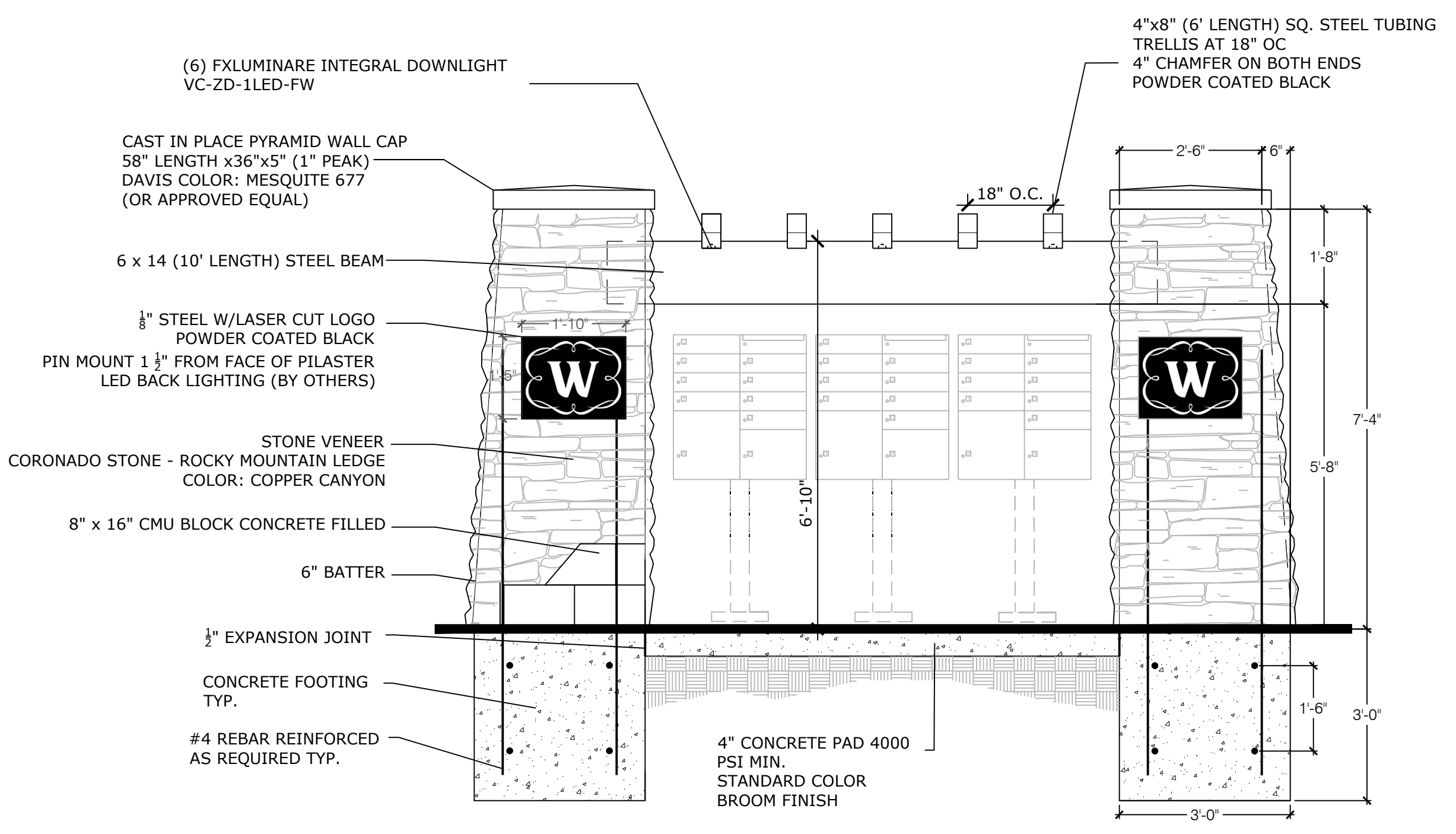
1 MAIL KIOSK FRONT ELEVATION SCALE: 1/2" = 1'-0"
4 MAIL KIOSK SIDE SECTION SCALE: 1/2" = 1'-0"
5 TRAIL HEAD SIGN SCALE: 1/2" = 1'-0"



1 MAIL KIOSK CAP & TRELLIS PLAN
SCALE: 1/2" = 1'-0"



1 MAIL KIOSK FOOTING & PAD LAYOUT PLAN
SCALE: 1/2" = 1'-0"

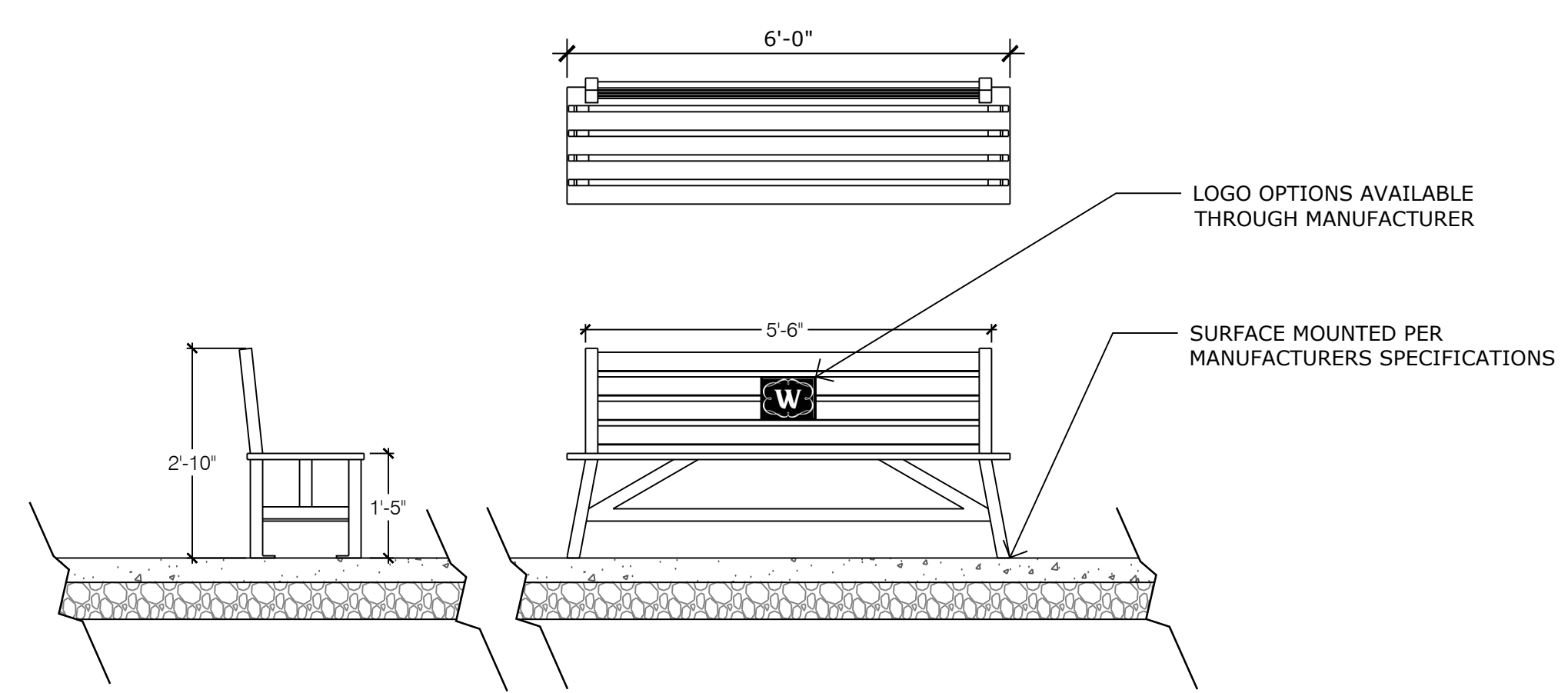


1 MAIL KIOSK FRONT ELEVATION SCALE: 1/2" = 1'-0"

P:\Vio Terra\McCune Ranch\Drawings\Arch\Site Details\Winsome_SiteDetails_CD's.dwg [MAIL_KIOSK_TRAILHEAD] 8/4/2020 12:14:38 AM bswenson

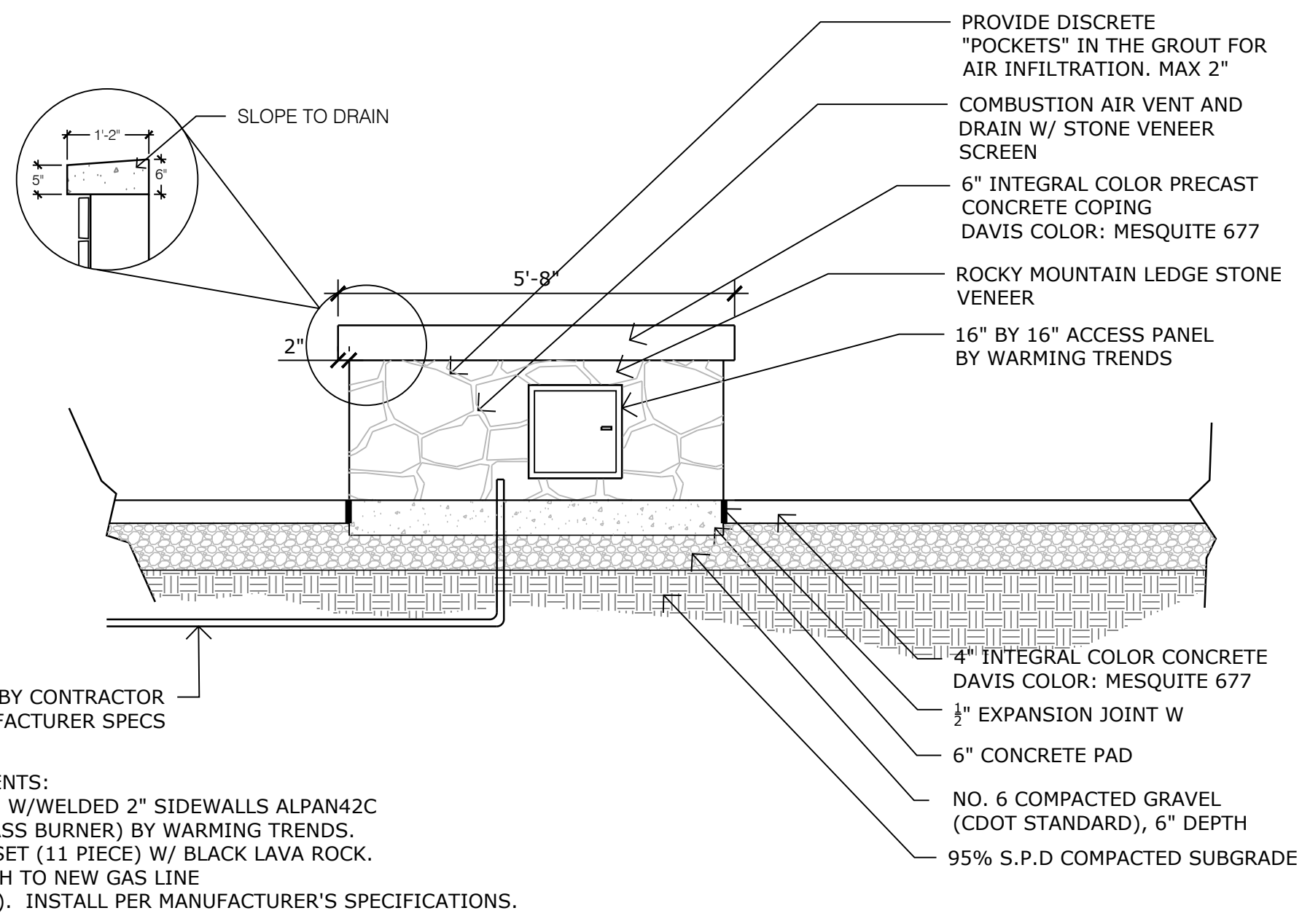
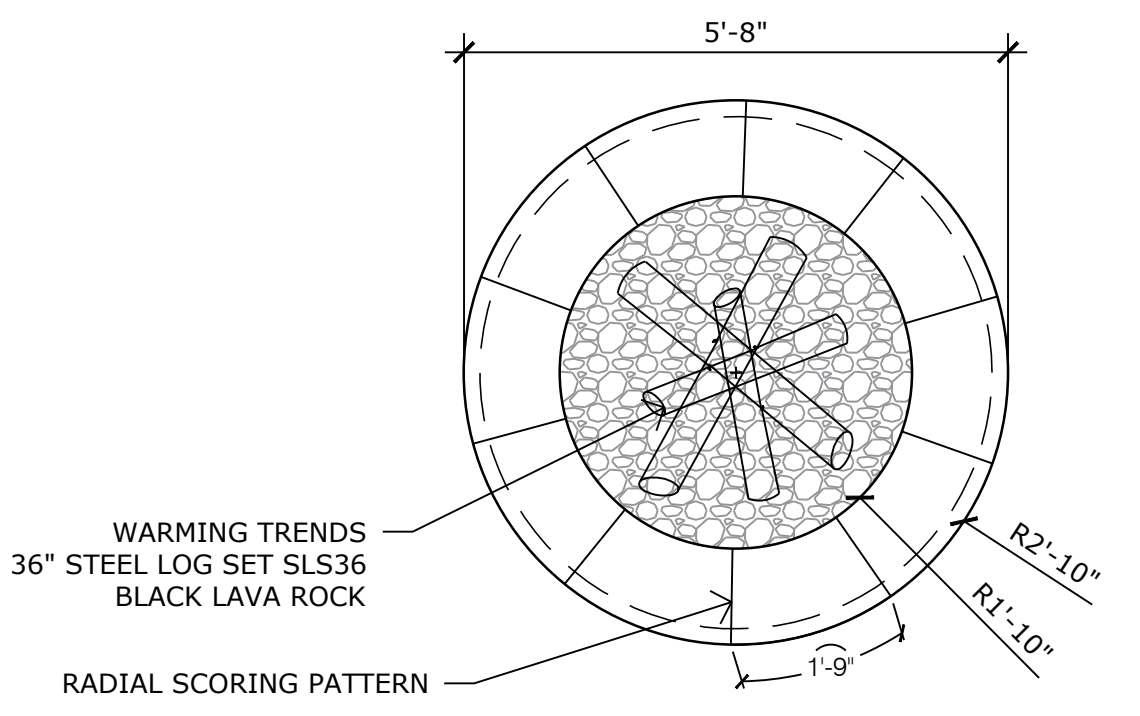
WINSOME
SITE DETAILS

DATE: 8/3/2020
PROJECT MGR: A. BARLOW
PREPARED BY: B. SWENSON

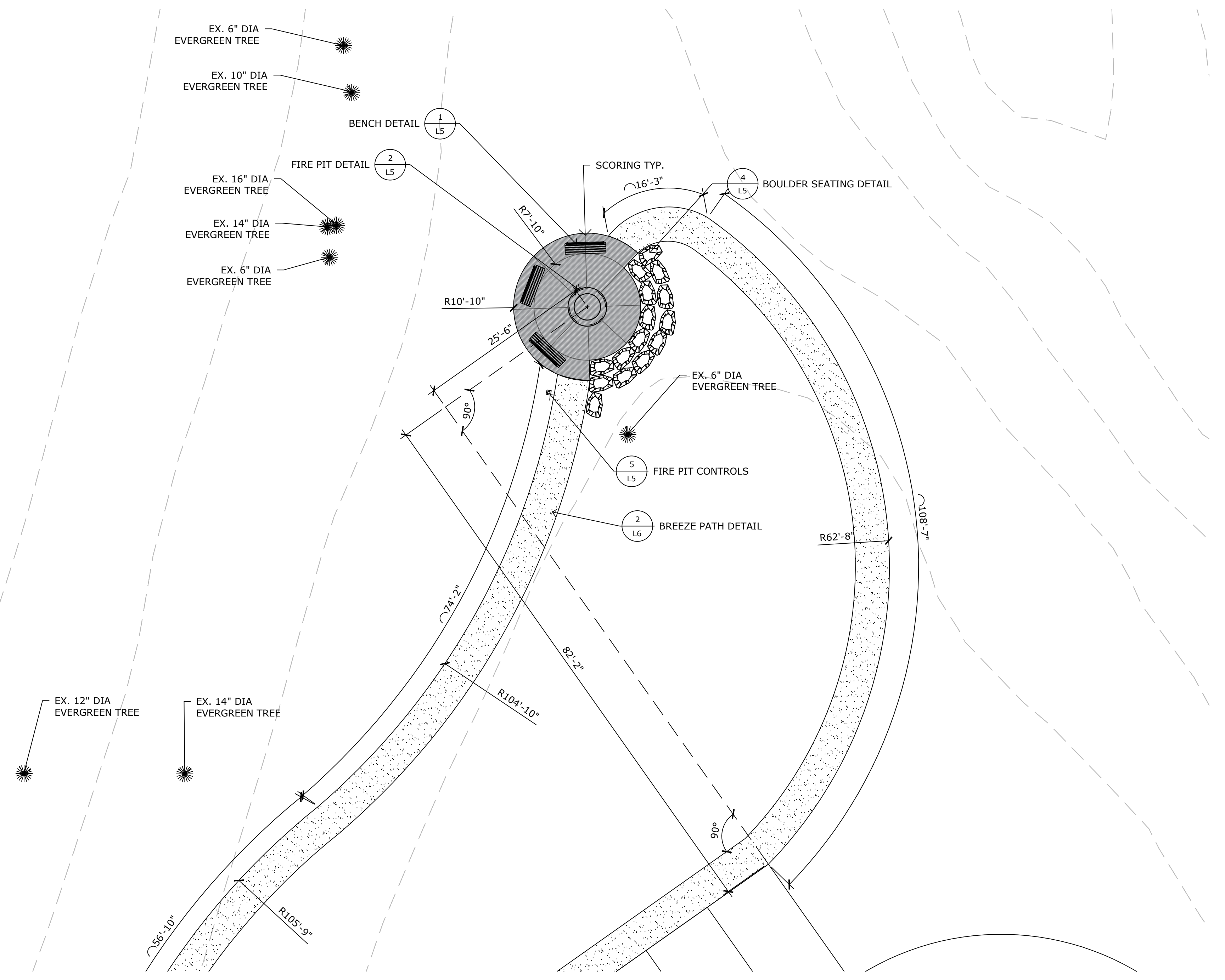


Keystone Ridge Designs, Inc.
670 Mercer Road · Butler, PA 16001 USA
Toll Free: (800) 284-8208
Phone: (724) 284-1213 · Fax: (724) 284-1253
E-mail: sales@krdusa.com
Web: http://keystoneridgedesigns.com

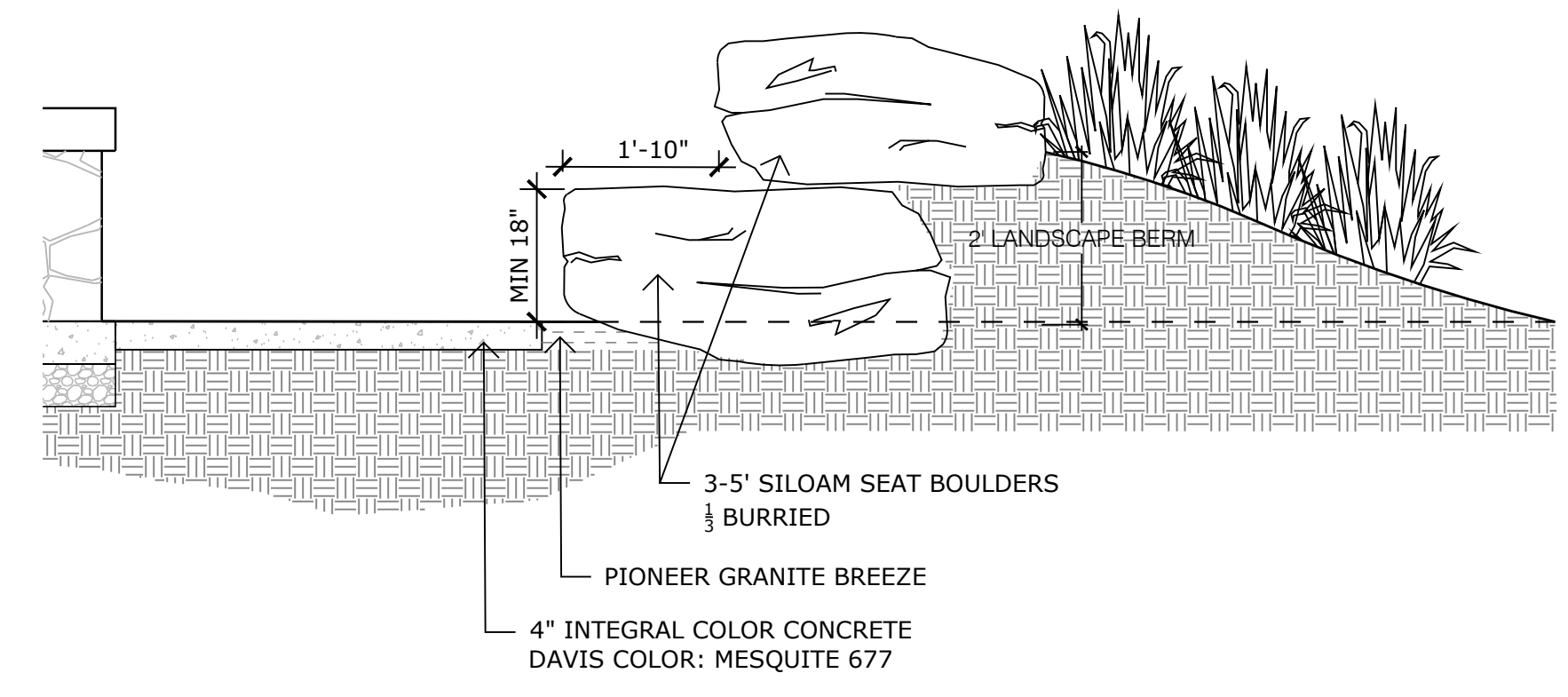
1 6' BREAKWATER BENCH W/ BACK
L5 KEYSTONE RIDGE DESIGNS BW26
SCALE: 1/2" = 1'-0"



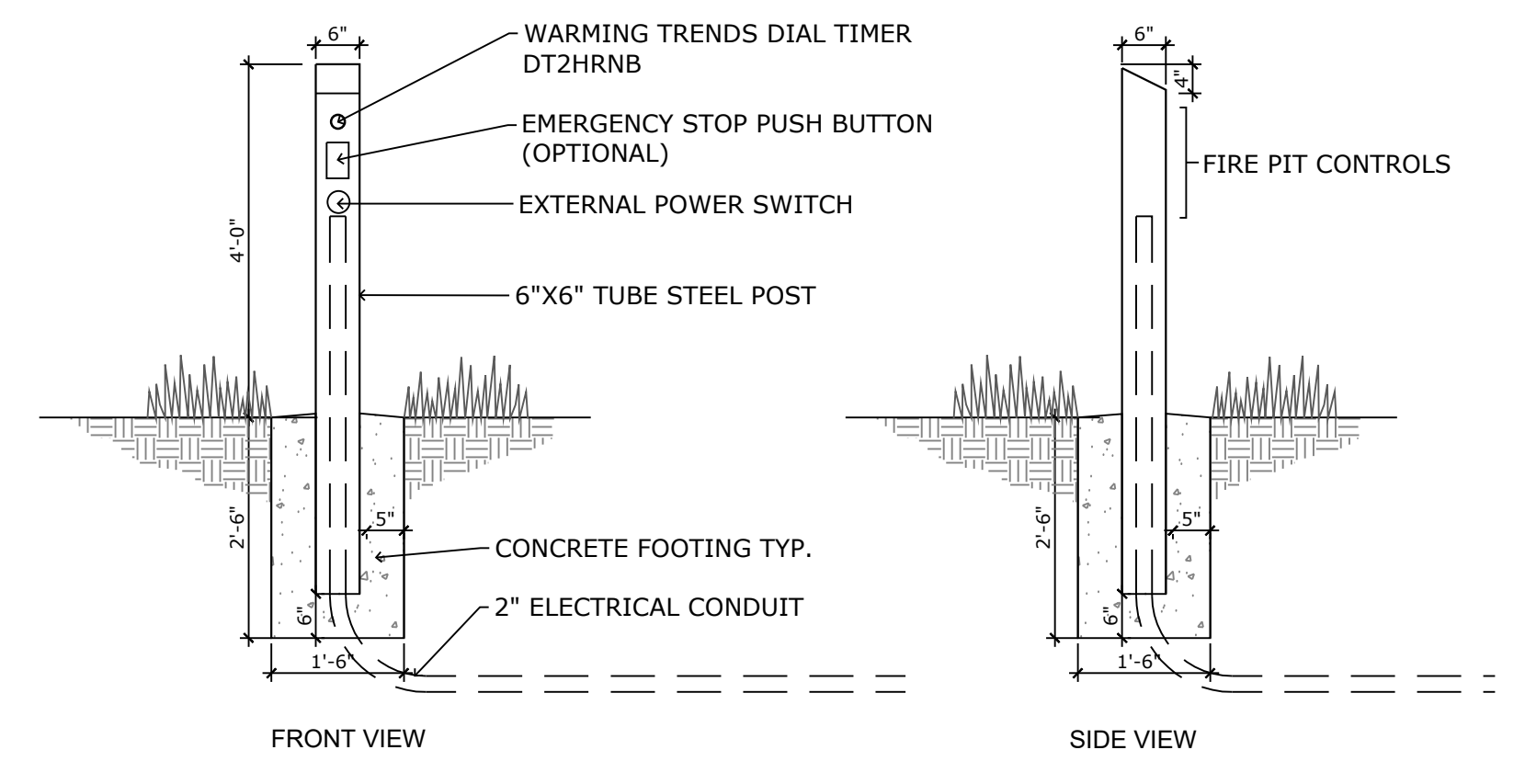
2 FIRE PIT
L5 SCALE: 1/2" = 1'-0"



3 FIRE PIT LAYOUT PLAN
L5 NORTH SCALE: 1" = 10'



4 BOULDER SEATING DETAIL
L5 SCALE: 1/2" = 1'-0"



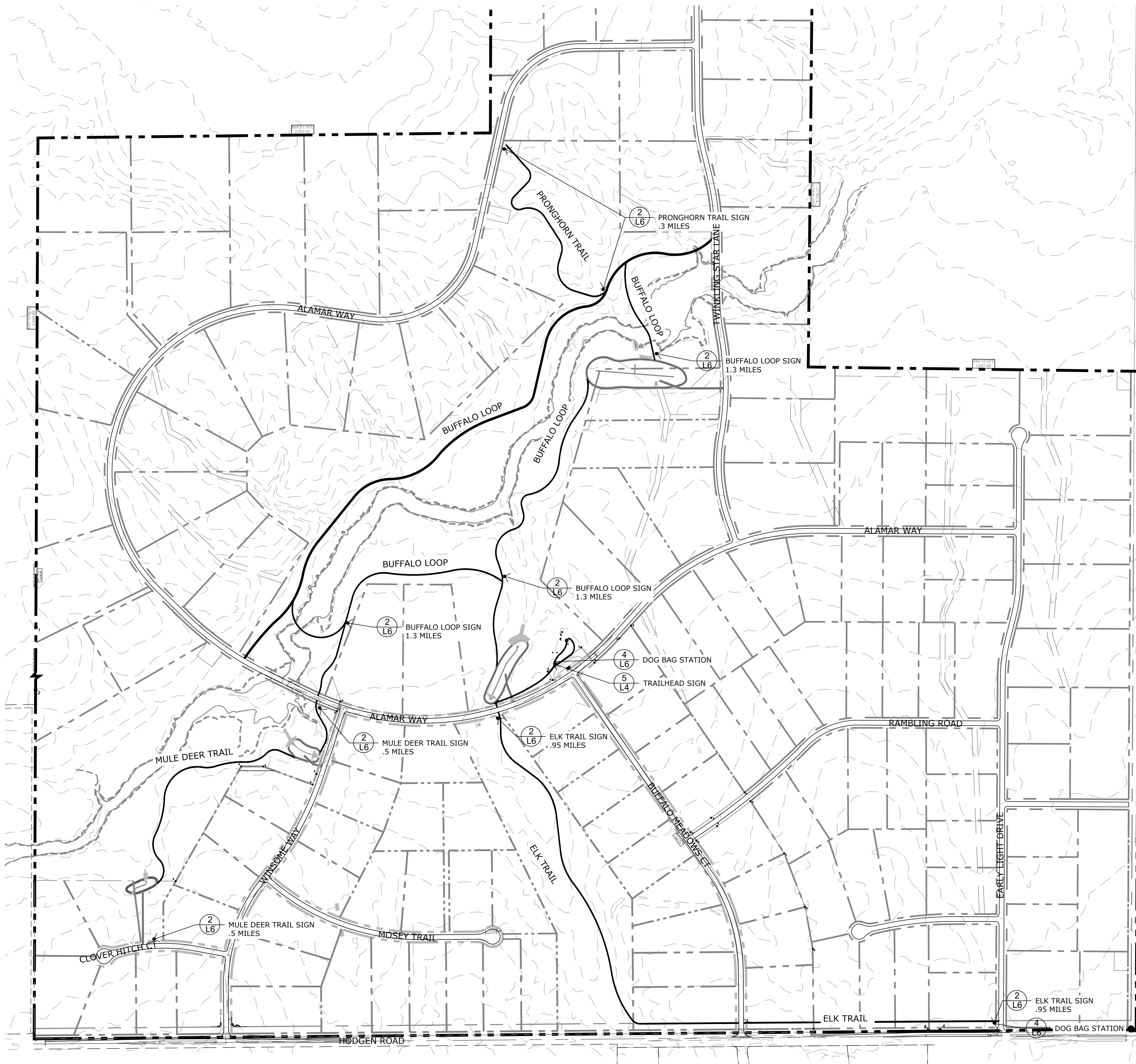
5 FIRE PIT CONTROLS
L5 SCALE: 1/2" = 1'-0"

BID SET

DATE:	BY:	DESCRIPTION:

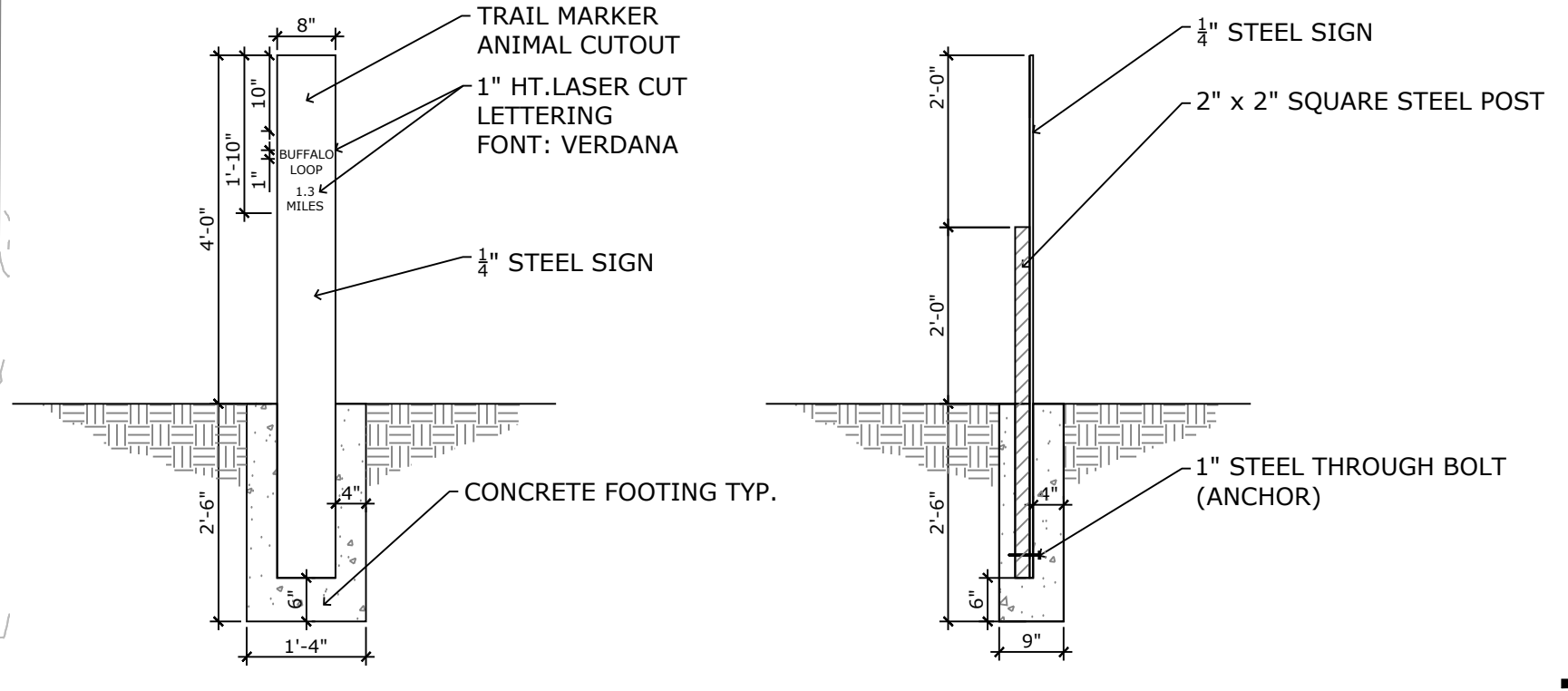
FIRE PIT DETAILS

P:\Pro Terra\McCune Ranch\Drawings\Site Details\Winsome_SiteDetails_CD's.dwg [FIRE_PIT] 8/4/2020 12:15:59 AM bswenson

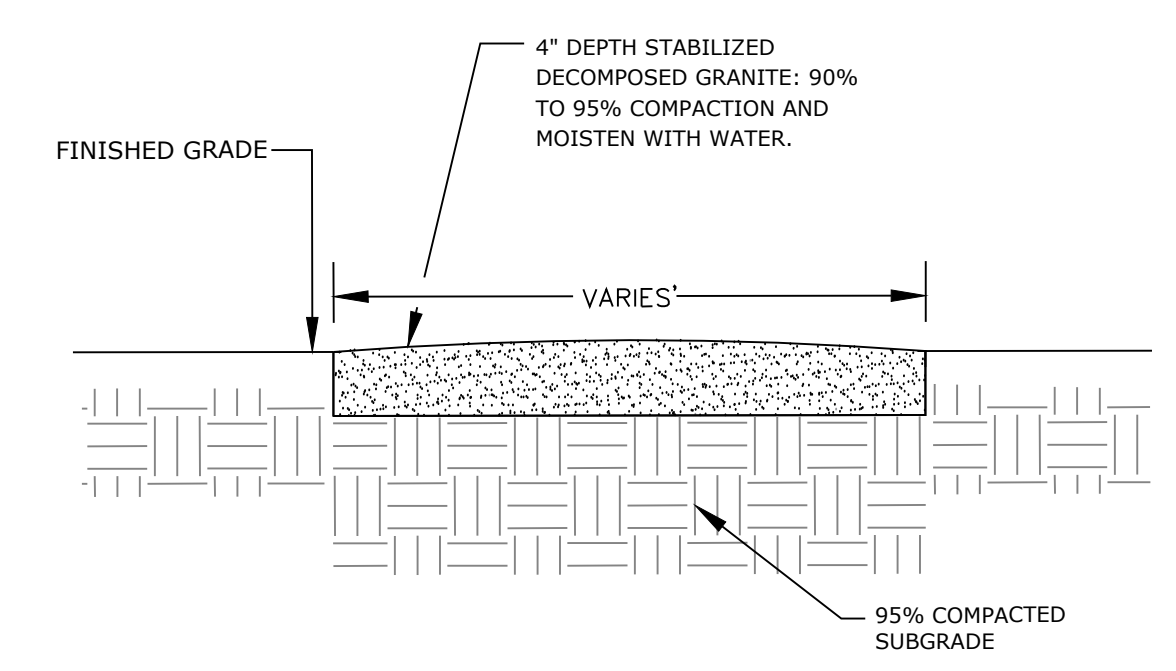


1 TRAIL SYSTEM
L6 SIGNAGE PLAN

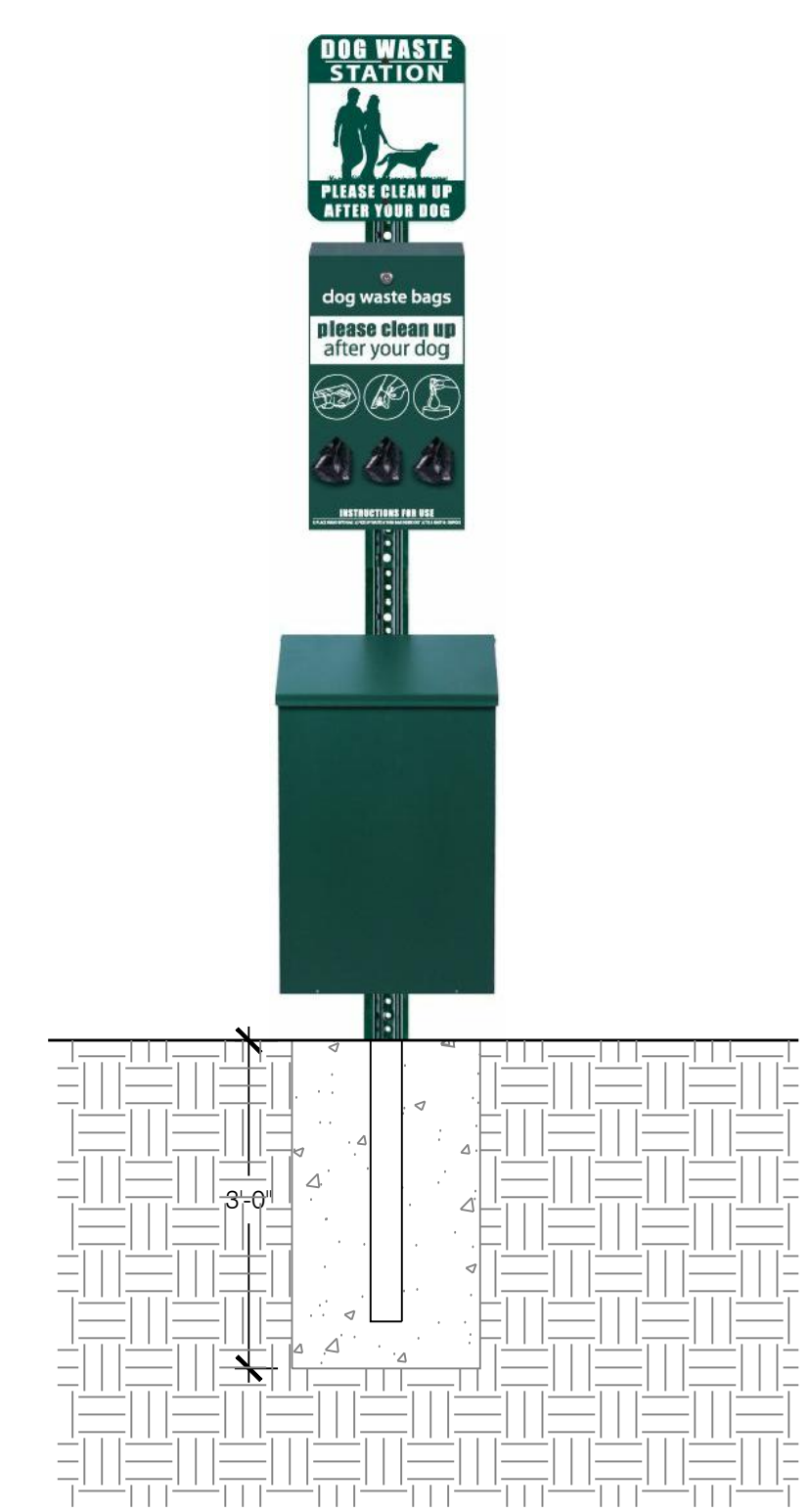
2 TRAIL MARKER SIGN
L6 SCALE: 1/2" = 1'-0"



3 BREEZE TRAIL DETAIL
L6 SCALE: 1" = 1'-0"



4 DOG BAG STATION
L6 SCALE: 1" = 1'-0"



P:\Vro Terra\McCune Ranch\Drawings\1-Arch\Site Details\Winsome_SiteDetails_CD's.dwg (TRAIL_SYSTEM) 8/17/2020 1:48:50 PM bswenson

Land Planning
Landscape
Architecture
Urban Design

N.E.S. Inc.
619 N. Cascade Avenue, Suite 200
Colorado Springs, CO 80903
Tel. 719.471.0073
Fax 719.471.0267
www.nescolorado.com
© 2012. All Rights Reserved.

WINSOME
SITE DETAILS

PROJECT INFO
DATE: 8/3/2020
PROJECT MGR: A. BARLOW
PREPARED BY: B. SWENSON

BID SET

DATE:	BY:	DESCRIPTION:

**TRAIL SYSTEM
SIGNAGE & DETAILS**

L6
7 OF 7