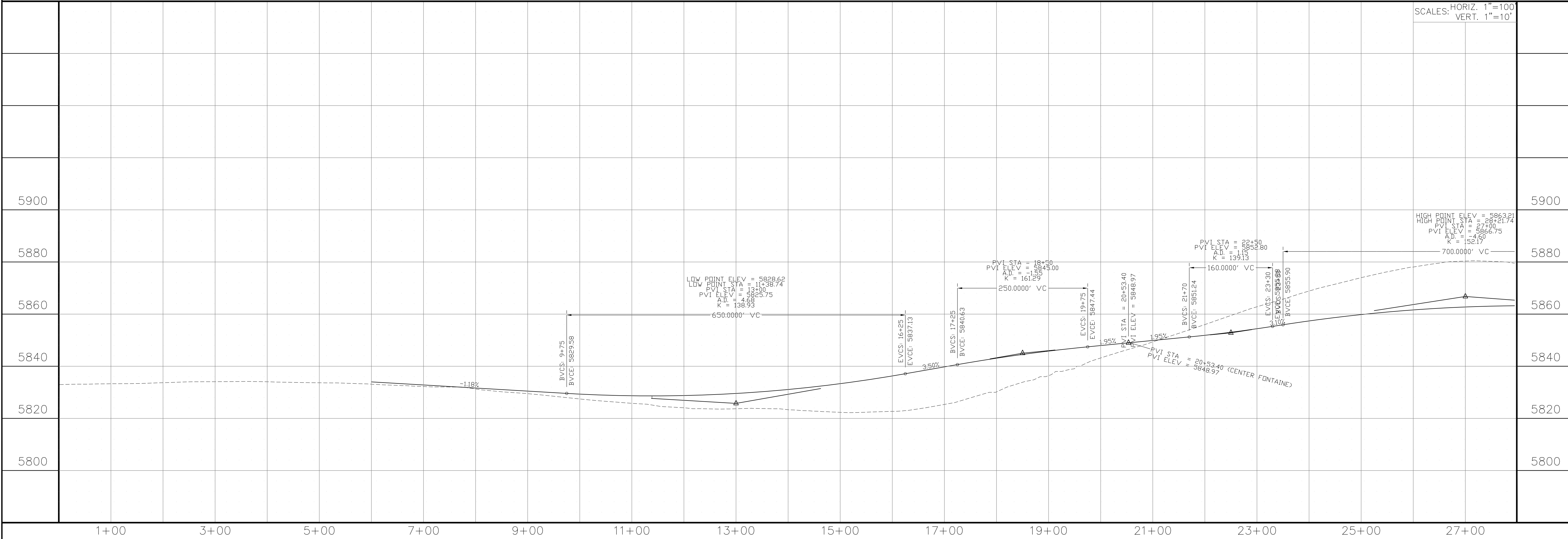


FUTURE MERIDIAN ROAD



CORE ENGINEERING GROUP
15004 151st Avenue S.
Littleton, CO 80120
PH: 719.570.1100
CONTACT: RICHARD L. SCHINDLER, P.E.
EMAIL: Rich@cge1.com

DATE: _____

DESCRIPTION: _____

NO: _____

PROJECT: **THE RIDGE AT LORSON RANCH**
212 N. WAHSATCH AVE, SUITE 301
COLORADO SPRINGS, COLORADO 80903
(719) 635-3200
CONTACT: JEFF MARK

PREPARED FOR: **LORSON, LLC**
212 N. WAHSATCH AVE, SUITE 301
COLORADO SPRINGS, COLORADO 80903
(719) 635-3200
CONTACT: JEFF MARK

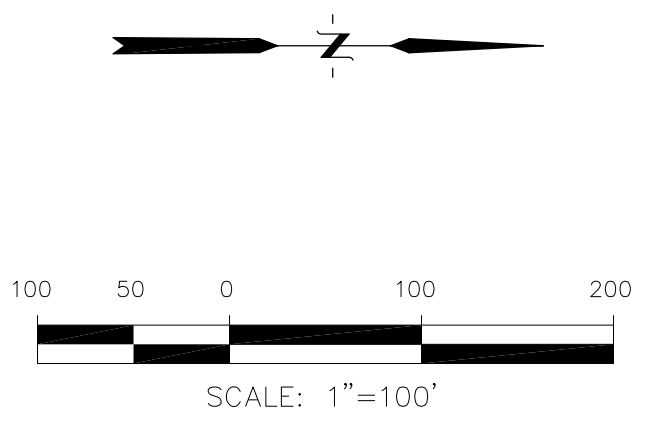
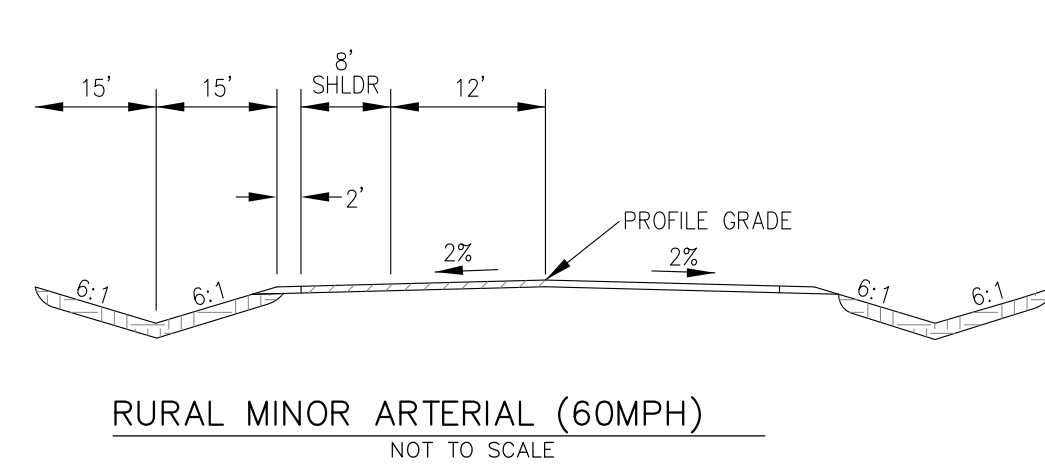
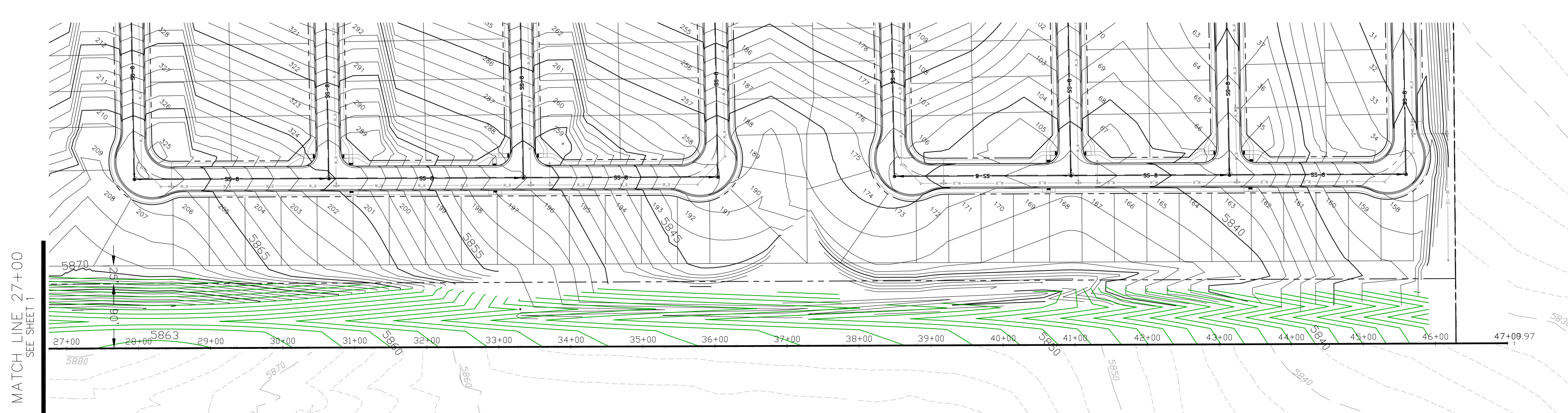
DRAWN: RLS
DESIGNED: RLS
CHECKED: RLS

DATE: SEPT, 2021

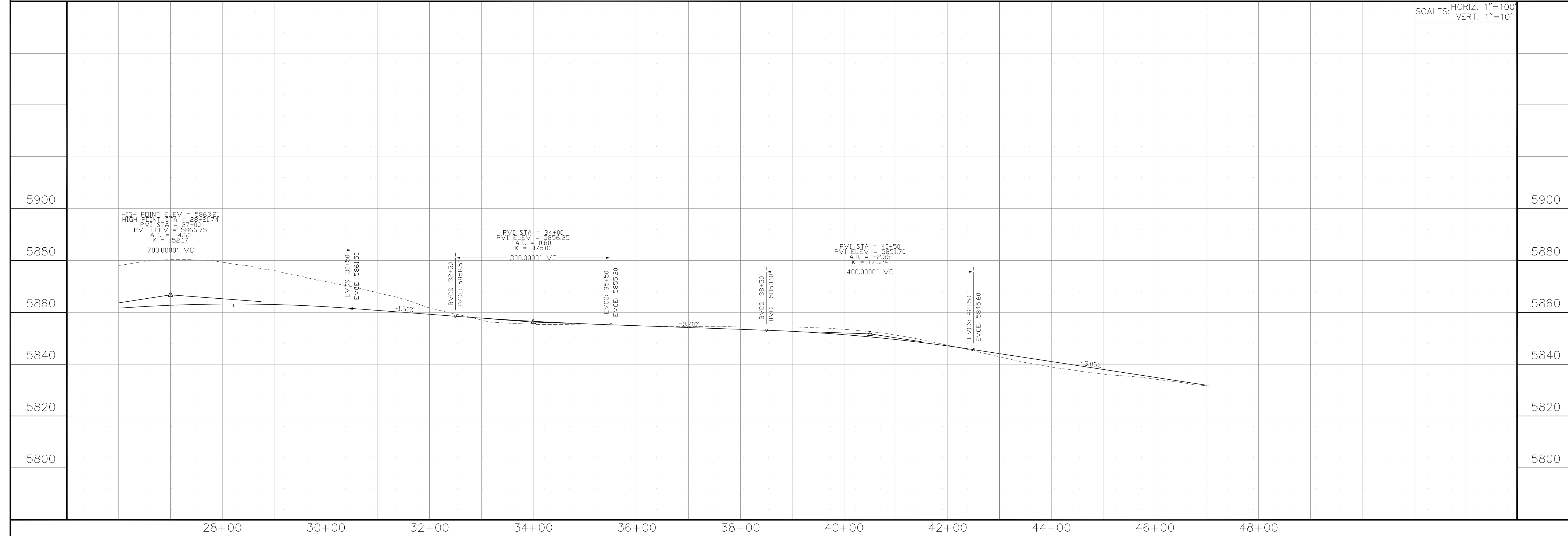
PROJECT NO. 100.064

SHEET NUMBER 1

TOTAL SHEETS: 2



FUTURE MERIDIAN ROAD



CORE ENGINEERING GROUP	
15004 1ST AVENUE, S. DENVER, CO 80202 PH: 719.570.1100 CONTACT: RICHARD L. SCHINDLER, P.E. EMAIL: Rich@ceg1.com	
PREPARED FOR: LORSON, LLC 212 N. WAHSATCH AVE, SUITE 301 COLORADO SPRINGS, COLORADO 80903 CONTACT: JEFF MARK	PROJECT: THE RIDGE AT LORSON RANCH FONTAINE BLVD. - MERIDIAN RD. COLORADO SPRINGS, COLORADO
DRAWN: RLS DESIGNED: RLS CHECKED: RLS	CONCEPT PROFILE MERIDIAN ROAD STA 27+00 TO 48+00
DATE: SEPT, 2021	
PROJECT NO. 100.064	
SHEET NUMBER 2	
TOTAL SHEETS: 2	