



Approved

By: Craig Dossey, Executive Director

Date: 12/10/2020



El Paso County Planning & Community Development

SITE ID: DN04333A

APPROVAL SIGNATURE BLOCK

THE FOLLOWING PARTIES HAVE REVIEWED THESE DOCUMENTS.

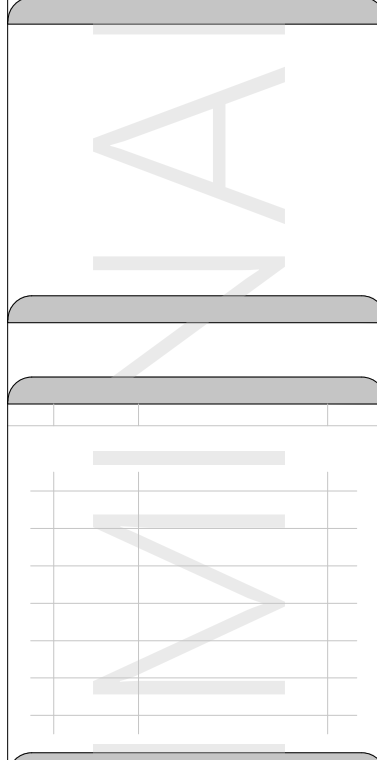
ALL DOCUMENTS ARE SUBJECT TO REVIEW BY THE LOCAL ZONING/BUILDING DEPARTMENTS AND MAY IMPOSE CHANGES OR MODIFICATIONS.

_____	_____	<input type="checkbox"/> APPROVED <input type="checkbox"/> REJECTED	_____
PROJECT MANAGER (PRINT)	PROJECT MANAGER		DATE
_____	_____	<input type="checkbox"/> APPROVED <input type="checkbox"/> REJECTED	_____
RF ENGINEER (PRINT)	RF ENGINEER		DATE
_____	_____	<input type="checkbox"/> APPROVED <input type="checkbox"/> REJECTED	_____
SITE ACQUISITION (PRINT)	SITE ACQUISITION		DATE
_____	_____	<input type="checkbox"/> APPROVED <input type="checkbox"/> REJECTED	_____
CONSTRUCTION MANAGER (PRINT)	CONSTRUCTION MANAGER		DATE
_____	_____	<input type="checkbox"/> APPROVED <input type="checkbox"/> REJECTED	_____
OPERATIONS (PRINT)	OPERATIONS		DATE



SITE ID: WOODMEN ELEMENTARY
 SITE ID NUMBER: DN04333A
 SITE ADDRESS: 8308 DEL RIO ROAD
 PEYTON, CO 80831
 SITE COORDINATES: 38.95136389, -104.59929723
 SITE CONFIGURATION: ANCHOR_PHASE 3

SHEET INDEX	
SHEET	DESCRIPTION
T1.0	COVER SHEET
T2.0	OVERALL SITE PLAN
T2.1	ENLARGED SITE PLAN
T3.0	EX. & NEW EQUIPMENT & ANTENNA LAYOUTS
T4.0	EX. ELEVATIONS
T4.1	NEW ELEVATIONS
T5.0	EQUIPMENT DETAILS
T5.1	EQUIPMENT DETAILS
T5.2	EQUIPMENT DETAILS
T5.3	EQUIPMENT DETAILS
T5.4	EQUIPMENT DETAILS
T6.0	CONFIGURATION KEYS
T6.1	RFDS CONFIGURATION DIAGRAM
GN1.0	GENERAL NOTES



SITE INFORMATION

SITE INFORMATION
 SITE NAME: WOODMEN ELEMENTARY
 SITE ID: DN04333A
 SITE ADDRESS: 8308 DEL RIO ROAD
 PEYTON, CO 80831
 COUNTY: EL PASO COUNTY
 JURISDICTION: PIKES PEAK REGIONAL BUILDING DEPT.
 ASSESSOR'S PARCEL #: 4306102001
 LATITUDE: 38.95136389
 LONGITUDE: -104.59929723
 STRUCTURE TYPE: MONOPOLE
 STRUCTURE HEIGHT: 100'-0"±
 POWER PROVIDER: MOUNTAIN VIEW ELECTRIC (719) 775-2861

PROJECT DESCRIPTION

MODIFICATION OF AN EXISTING *NON-INHABITABLE* T-MOBILE TELECOMMUNICATIONS SITE CONSISTING OF:
 REMOVING
 • (3) EXISTING ANTENNAS
 • (9) EXISTING RRU'S
 • (1) EXISTING EQUIPMENT CABINET
 INSTALLING
 • (6) NEW ANTENNAS
 • (6) NEW RRU'S
 • (2) NEW EQUIPMENT CABINETS
 • (1) NEW HCS 2.0 TOWER TOWER TOP JUNCTION BOX
 • (1) NEW HCS 2.0 TRUNK CABLE
 • (2) NEW AMIA MODULES
 ON AN EXISTING MONOPOLE WITHIN THE EXISTING LEASE AREA.
 INSTALLATION IS UNMANNED AND NOT FOR HUMAN HABITATION PUBLIC ACCESS IS RESTRICTED A.D.A. ACCESSIBILITY NOT REQUIRED.

PROJECT TEAM

PROPERTY OWNER:
 FALCON SCHOOL DISTRICT 49
 8308 DEL RIO RD.
 PEYTON, CO 80831
TOWER OWNER
 VERTICAL BRIDGE
 750 PARK OF COMMERCE DR. SUITE 200
 BOCA RATON, FL 33478
APPLICANT
 T-MOBILE
 18400 E. 22ND AVE.
 AURORA, CO 80216
SITE ACQUISITION CONSULTANT
 INSITE INC.
 15660 MIDWEST RD. SUITE 140
 OAKBROOK TERRACE, IL 60181
 CHARLIE AUGELLO
 PH: 720.236.9199
 E-MAIL: AUGELLO@INSITE-INC.COM
A&E PROJECT MANAGER
 INSITE INC.
 15660 MIDWEST RD. SUITE 140
 OAKBROOK TERRACE, IL 60181
 GARY WATTS
 PH: 303.815.8296
 E-MAIL: WATTS@INSITE-INC.COM

DRIVING DIRECTIONS

FROM T-MOBILE OFFICE 18400 E. 22ND AVE:
 TAKE TOWER RD TO E COLFAX AVE. 2 MIN (0.7 MI). HEAD EAST ON E 22ND AVE TOWARD TOWER RD. 0.1 MI. TURN RIGHT AT THE 1ST CROSS STREET ONTO TOWER RD. 0.6 MI. FOLLOW E-470 S AND CO-83 S TO HODGEN RD IN BLACK FOREST. 1 H 1 MIN (54.6 MI). USE ANY LANE TO TURN LEFT ONTO E COLFAX AVE. 1.8 MI. TURN RIGHT ONTO E COLFAX AVE/I-70 FRONTAGE RD. 1.3 MI. TAKE THE RAMP ONTO E-470 S TOLL ROAD. 9.2 MI. KEEP LEFT TO STAY ON E-470 S. TOLL ROAD 5.5 MI. TAKE EXIT 5 FOR CO-83/PARKER ROAD. TOLL ROAD 0.4 MI. USE THE LEFT 2 LANES TO TURN LEFT ONTO CO-83 S/S PARKER RD. PASS BY 7-ELEVEN (ON THE RIGHT IN 0.6 MI). 7.1 MI. CONTINUE STRAIGHT ONTO CO-83 S/N STATE HWY 83. 29.4 MI. FOLLOW HODGEN RD AND MERIDIAN RD TO YOUR DESTINATION IN FALCON. 22 MIN (17.4 MI). TURN LEFT ONTO HODGEN RD. 8.5 MI. TURN RIGHT ONTO MERIDIAN RD. 8.1 MI. TURN LEFT ONTO WOODMEN HILLS DR. 0.4 MI. TURN RIGHT ONTO DEL RIO RD. 0.2 MI. TURN RIGHT. DESTINATION WILL BE ON THE RIGHT. 230 FT.
 ESTIMATED DISTANCE: 72.7 MILES
 ESTIMATED TIME: 1 HOUR 25 MINUTES

APPLICABLE CODES

ALL CONSTRUCTION, ALTERATION, OR DEMOLITION SHALL BE PERFORMED AND MATERIALS INSTALLED IN ACCORDANCE WITH THE CURRENT EDITIONS OF THE FOLLOWING CODES AS ADOPTED BY THE LOCAL GOVERNING AUTHORITIES TO INCLUDE COMPLIANCE WITH THE LATEST FEDERAL STATE, AND LOCAL AMENDMENTS, REGULATIONS AND ORDINANCES.
 MANDATORY: CONTRACTOR TO CALL TO VERIFY UTILITIES, AT LEAST TWO WORKING DAYS PRIOR TO DIGGING.
 BEFORE YOU DIG, CALL: 1-800-922-1987
 HTTP://CALL811.COM/MAP-PAGE/COLORADO
 THE INFORMATION CONTAINED IN THIS SET OF DOCUMENTS IS PROPRIETARY BY NATURE. ANY USE OR DISCLOSURE OTHER THAN THAT WHICH RELATES TO T-MOBILE SERVICES IS STRICTLY PROHIBITED.

VICINITY MAP



SITE PHOTO



PERMIT INFORMATION

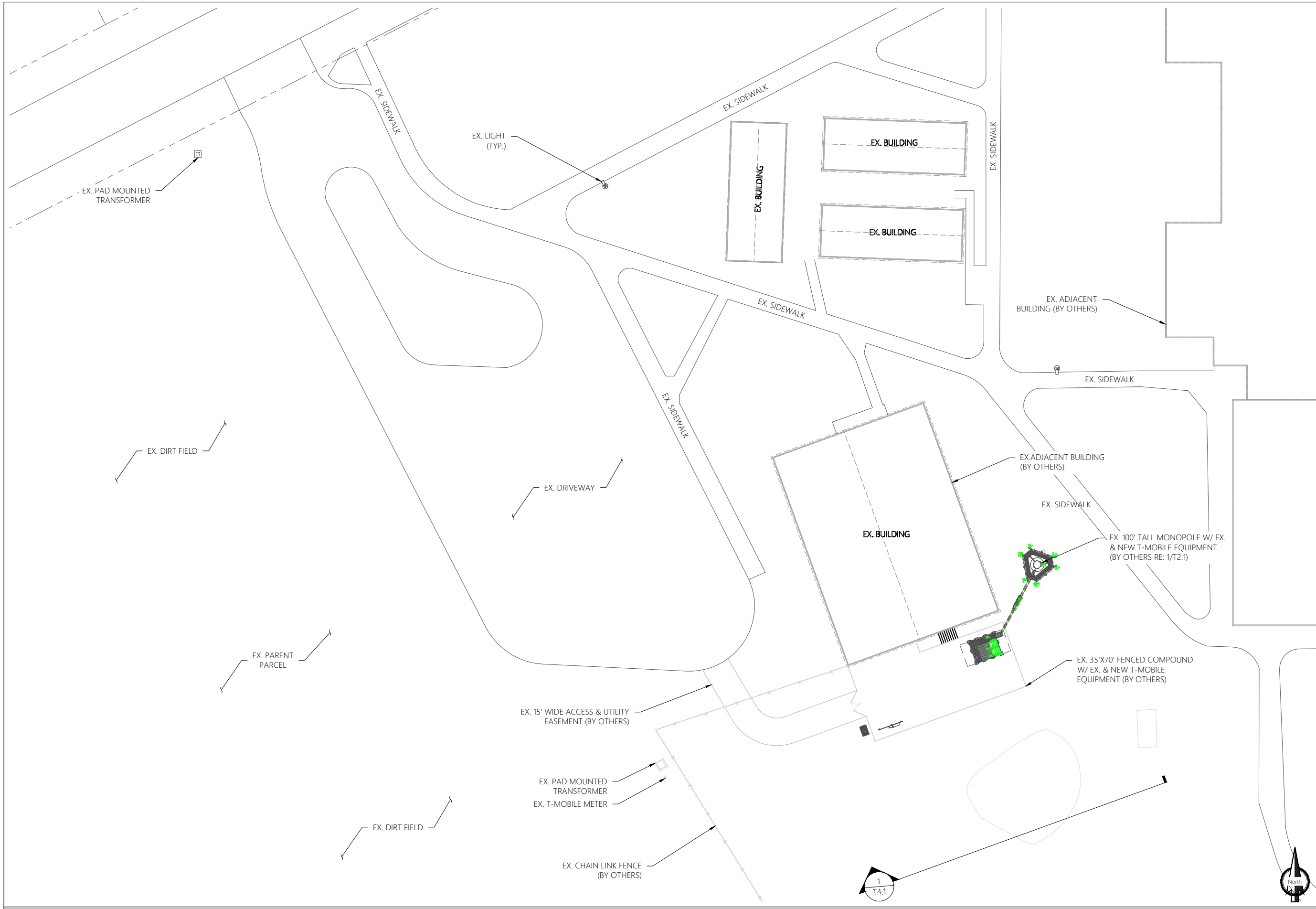
PPR2045
 PLAT 10338
 RR-0.5
 REF FILES: PPR186 - Tower Removal agreement, VA175
 Variance of Use approval, AP171290 & AP171291 Driveway Permit approvals

COVER SHEET

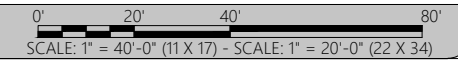
T1.0



Call before you dig.



1 OVERALL SITE PLAN



PRESENTED BY:

T-Mobile

Insite inc.
Wireless Consulting Services
15660 MIDWEST RD. SUITE 140 OAKBROOK TERRACE, IL 60181

TeleMtn ENGINEERING

SITE NAME:
WOODMEN ELEMENTARY

SITE ADDRESS:
8308 DEL RIO ROAD
PEYTON, CO 80831
SITE COUNTY:
EL PASO COUNTY

SITE ID:
DN04333A

REVISIONS			
Rev.	Date:	Description:	By:
0	10.15.20	PRELIM.	GW
1			
2			
3			
4			
5			
6			
7			

STAMPING SIGNATURE:

THIS WORK WAS PREPARED BY MYSELF OR UNDER MY SUPERVISION. CONSTRUCTION OF THIS PROJECT WILL BE UNDER MY OBSERVATION. ALL SCALES ARE SET FOR 11X17"

SHEET TITLE:
OVERALL SITE PLAN

SHEET NUMBER:
T2.0

DRAWN BY:	CHK BY:	APV BY:
GW	GD	CA

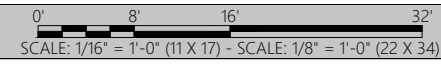
C:\Users\Gary Watts\insite, Inc\TMO DENVER - Documents\DN04333A\ANCHOR\M&E\CAD\DN04333A_A and E_ANCHOR.dwg PLOT DATE: 10/15/2020 BY: Gary Watts



1 T-MOBILE LEASE AREA PHOTO



2 ENLARGED SITE PLAN



PRESENTED BY:

T-Mobile

Insite inc.
Wireless Consulting Services
15660 MIDWEST RD. SUITE 140 OAKBROOK TERRACE, IL 60181

TeleMtn ENGINEERING

SITE NAME:
WOODMEN ELEMENTARY

SITE ADDRESS:
8308 DEL RIO ROAD
PEYTON, CO 80831

SITE COUNTY:
EL PASO COUNTY

SITE ID:
DN04333A

REVISIONS

Rev.	Date:	Description:	By:
0	10.15.20	PRELIM.	GW
1			
2			
3			
4			
5			
6			
7			

STAMPING SIGNATURE:

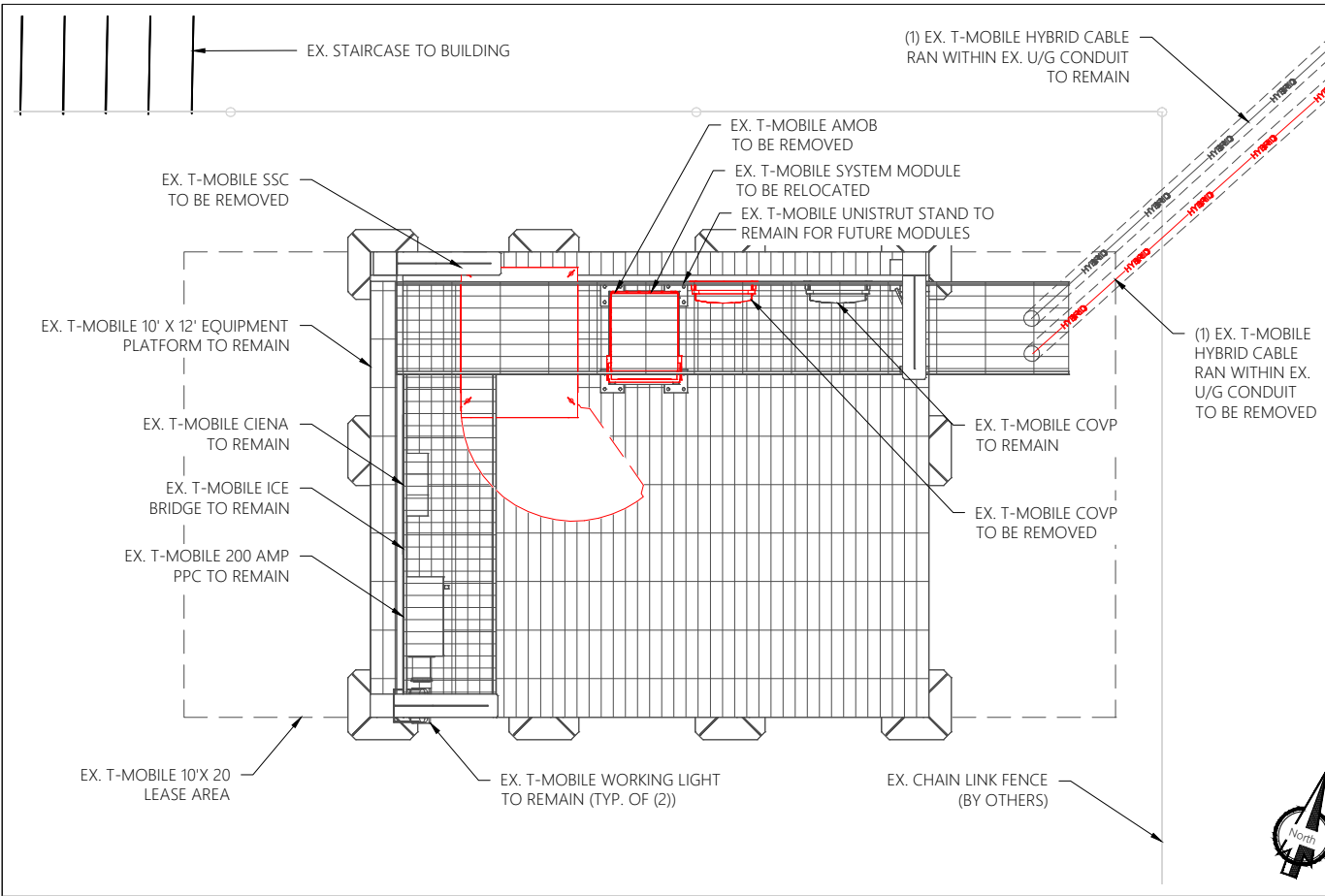
THIS WORK WAS PREPARED BY MYSELF OR UNDER MY SUPERVISION. CONSTRUCTION OF THIS PROJECT WILL BE UNDER MY OBSERVATION. ALL SCALES ARE SET FOR 11X17"

SHEET TITLE:
ENLARGED SITE PLAN

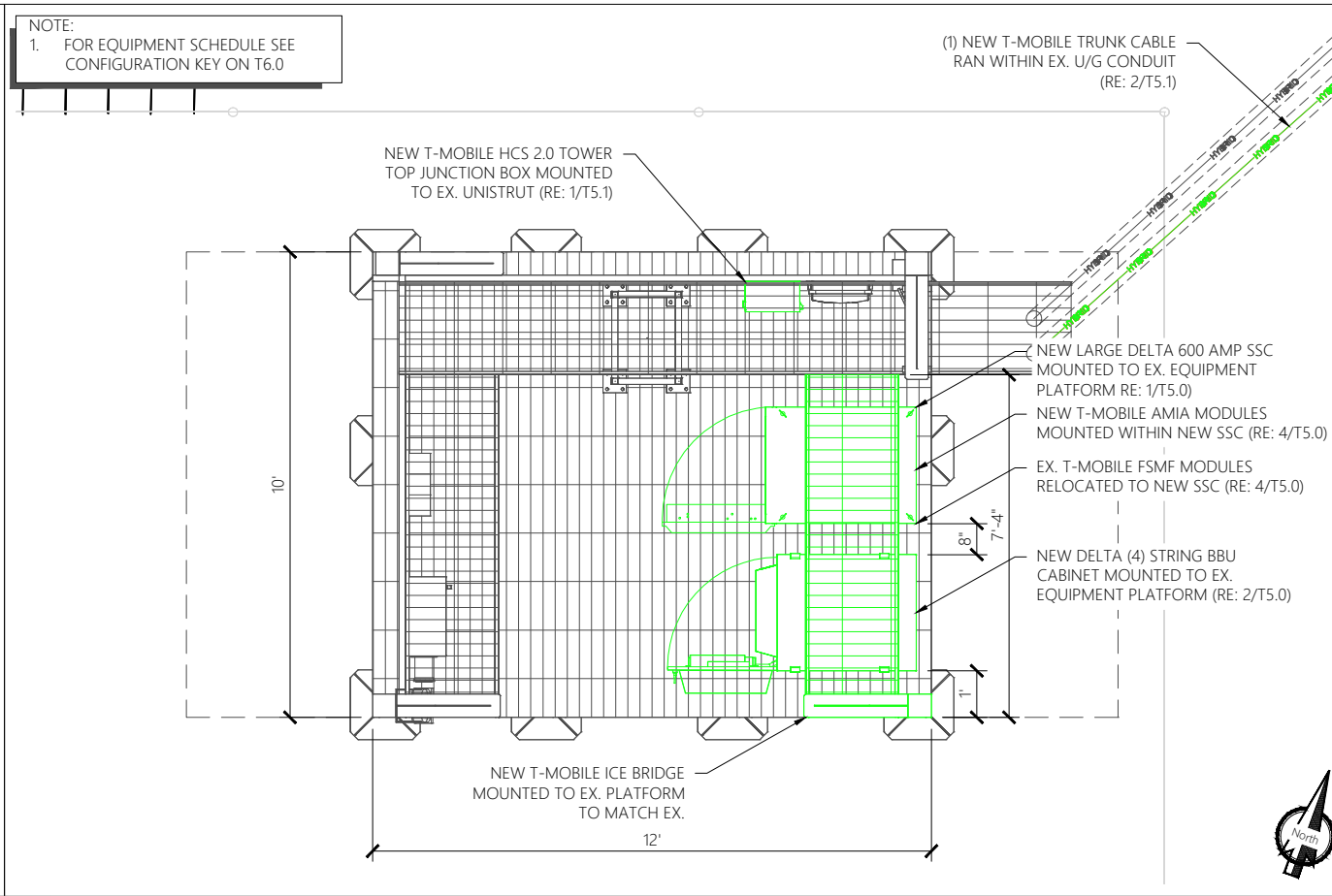
SHEET NUMBER:
T2.1

DRAWN BY: GW	CHK BY: GD	APV BY: CA
-----------------	---------------	---------------

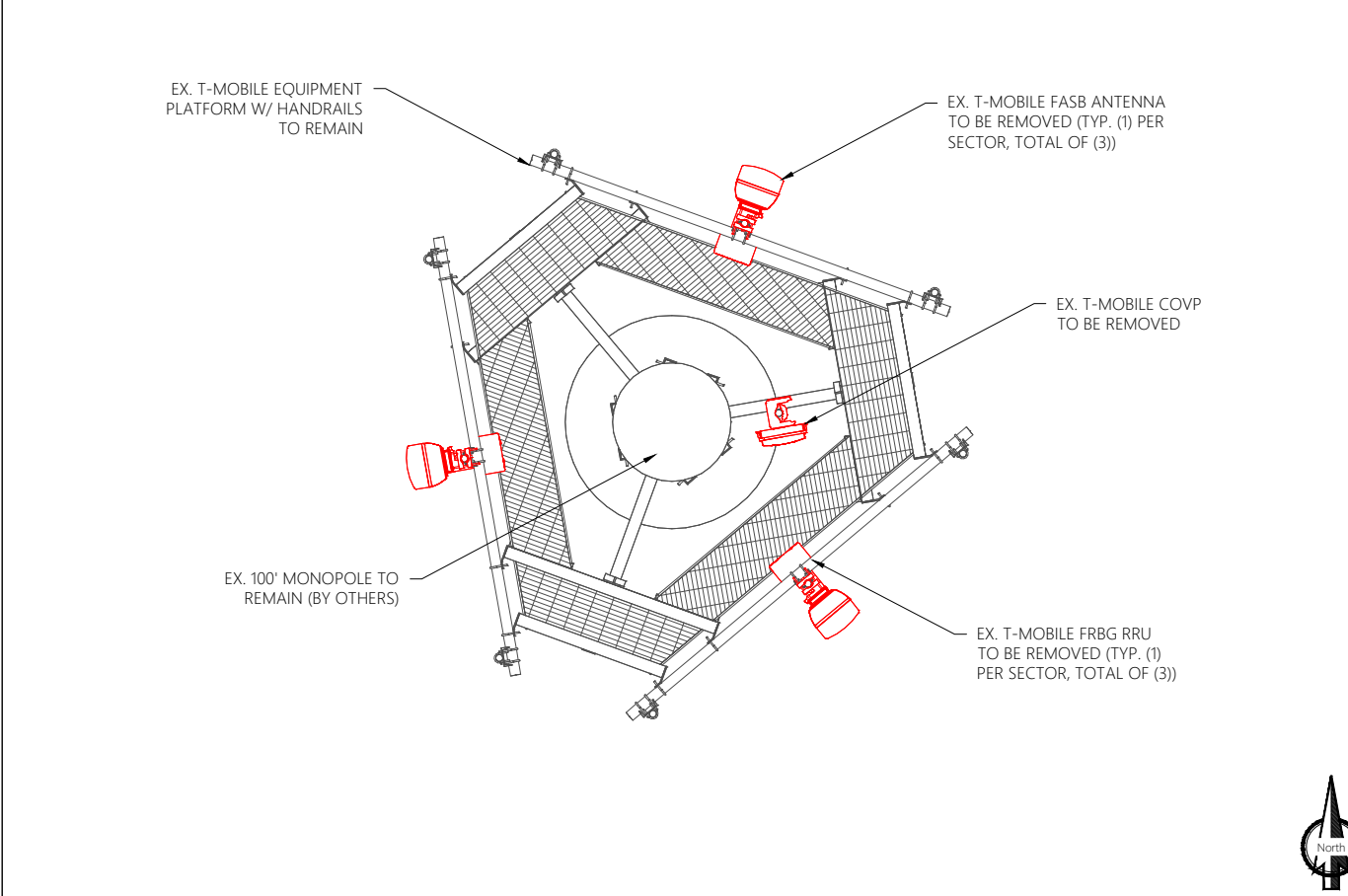
C:\Users\Gary Warts\insite_inco\TMO DENVER - Documents\DN04333A\ANCHOR\M&E\CAD\DN04333A_A and E_ANCHOR.dwg PLOT DATE: 10/15/2020 BY: Gary Warts



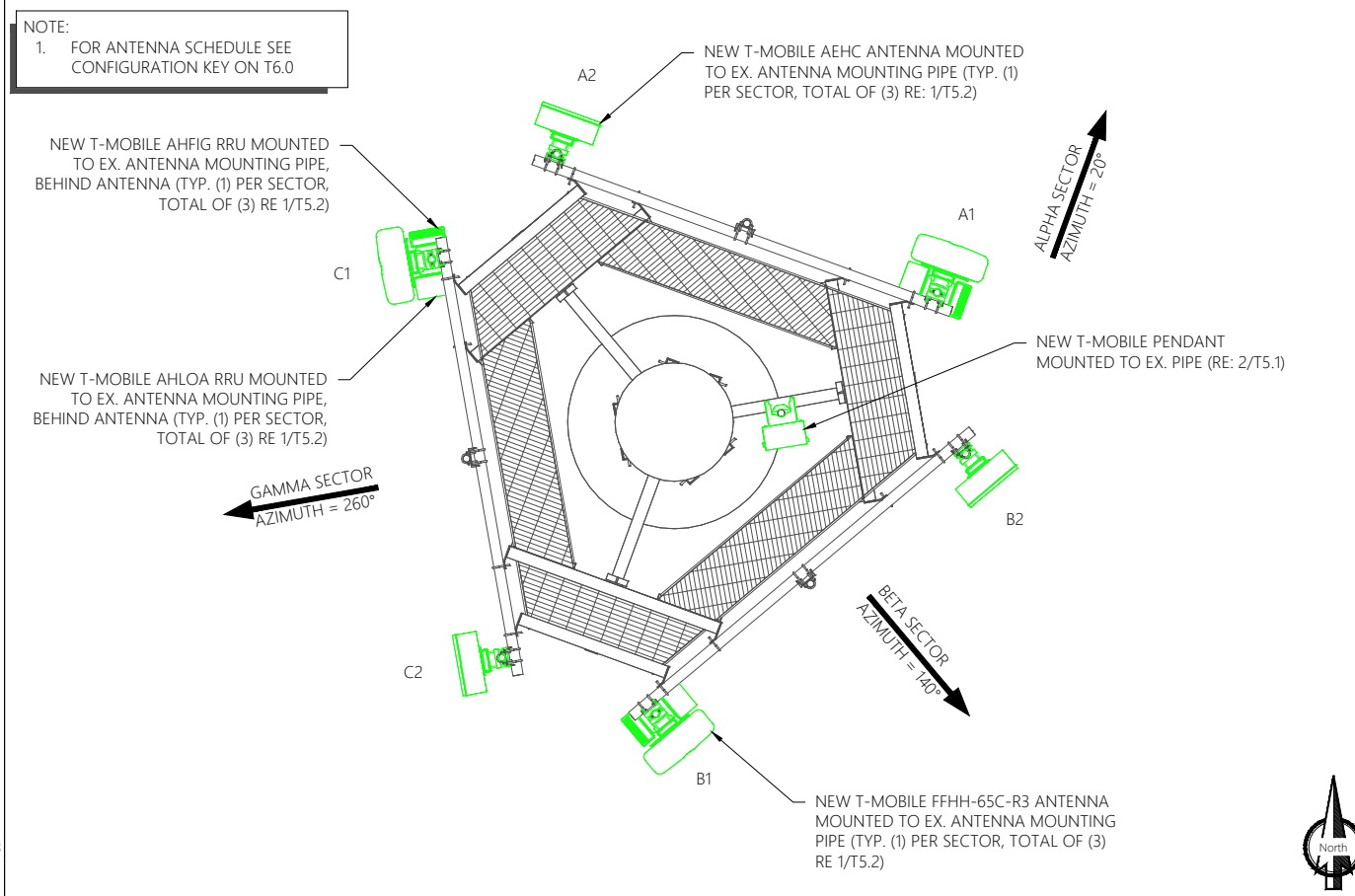
1 EX. EQUIPMENT LAYOUT
 SCALE: 1/4" = 1'-0" (11 X 17) - SCALE: 1/2" = 1'-0" (22 X 34)



2 NEW EQUIPMENT LAYOUT
 SCALE: 1/4" = 1'-0" (11 X 17) - SCALE: 1/2" = 1'-0" (22 X 34)



3 EX. ANTENNA LAYOUT
 SCALE: 3/16" = 1'-0" (11 X 17) - SCALE: 3/8" = 1'-0" (22 X 34)



4 NEW ANTENNA LAYOUT
 SCALE: 3/16" = 1'-0" (11 X 17) - SCALE: 3/8" = 1'-0" (22 X 34)

PRESENTED BY:

T-Mobile

Insite inc.
 Wireless Consulting Services
 15660 MIDWEST RD. SUITE 140 OAKBROOK TERRACE, IL 60181

TeleMtn ENGINEERING

SITE NAME:
WOODMEN ELEMENTARY

SITE ADDRESS:
 8308 DEL RIO ROAD
 PEYTON, CO 80831

SITE COUNTY:
 EL PASO COUNTY

SITE ID:
 DN04333A

REVISIONS

Rev.	Date	Description	By:
0	10.15.20	PRELIM.	GW
1			
2			
3			
4			
5			
6			
7			

STAMPING SIGNATURE:

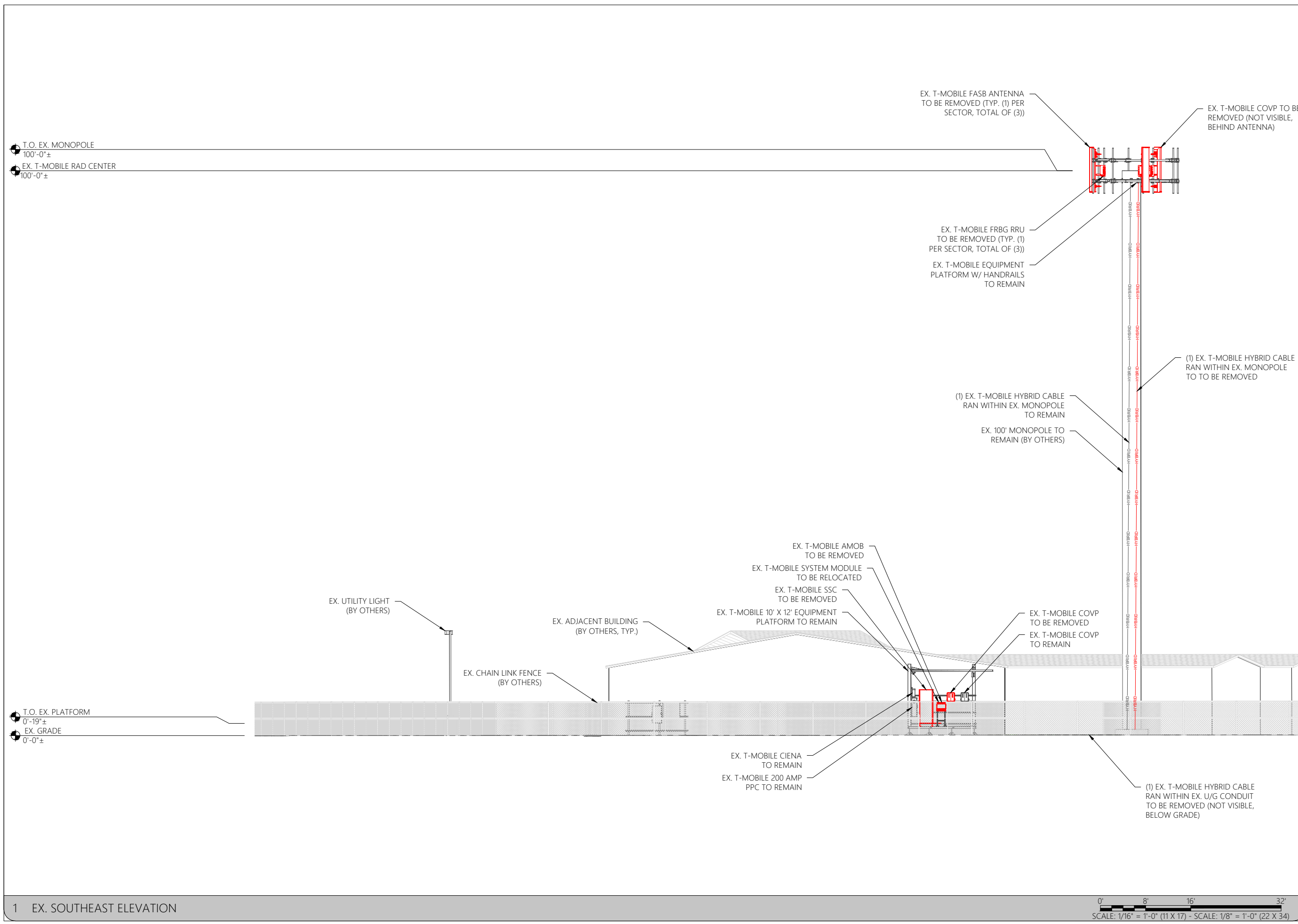
THIS WORK WAS PREPARED BY MYSELF OR UNDER MY SUPERVISION. CONSTRUCTION OF THIS PROJECT WILL BE UNDER MY OBSERVATION. ALL SCALES ARE SET FOR 11X17"

SHEET TITLE:
EX. & NEW EQUIPMENT & ANTENNA LAYOUTS

SHEET NUMBER:
T3.0

DRAWN BY: GW CHK BY: GD APV BY: CA

C:\Users\Gary Watts\insite_inco\TMO_DENVER - Documents\DN04333A\ANCHOR\A&E\CAD\DN04333A_A and E_ANCHOR.dwg PLOT DATE: 10/15/2020 BY: Gary Watts



PRESENTED BY:

15660 MIDWEST RD. SUITE 140 OAKBROOK TERRACE, IL 60181

SITE NAME:

WOODMEN ELEMENTARY

SITE ADDRESS:
8308 DEL RIO ROAD
PEYTON, CO 80831

SITE COUNTY:
EL PASO COUNTY

SITE ID:
DN04333A

REVISIONS

Rev.	Date:	Description:	By:
0	10.15.20	PRELIM.	GW
1			
2			
3			
4			
5			
6			
7			

STAMPING SIGNATURE:

THIS WORK WAS PREPARED BY MYSELF OR UNDER MY SUPERVISION. CONSTRUCTION OF THIS PROJECT WILL BE UNDER MY OBSERVATION. ALL SCALES ARE SET FOR 11X17"

SHEET TITLE:
EX. ELEVATIONS

SHEET NUMBER:
T4.0

DRAWN BY: GW	CHK BY: GD	APV BY: CA
-----------------	---------------	---------------

C:\Users\Gary Warts\Insite_Inc\TMO_DENVER - Documents\DN04333A\ANCHOR\M&E\CAD\DN04333A_A and E_ANCHOR.dwg PLOT DATE: 10/15/2020 BY: Gary Warts

1 EX. SOUTHEAST ELEVATION

- NEW T-MOILE ANTENNA TIP HEIGHT
104'-0"±
- NEW T-MOILE ANTENNA TIP HEIGHT
101'-0"±
- T.O. EX. MONOPOLE
100'-0"±
- EX. T-MOBILE RAD CENTER
100'-0"±

- T.O. NEW T-MOBILE EQUIPMENT CABINETS
9'-0"±
- T.O. EX. PLATFORM
0'-19"±
- EX. GRADE
0'-0"±

- NEW T-MOBILE AHFIG RRU MOUNTED TO EX. ANTENNA MOUNTING PIPE, BEHIND ANTENNA (TYP. (1) PER SECTOR, TOTAL OF (3) NOT VISIBLE, BEHIND ANTENNA)
- NEW T-MOBILE PENDANT MOUNTED TO EX. PIPE
- NEW T-MOBILE AEHC ANTENNA MOUNTED TO EX. ANTENNA MOUNTING PIPE (TYP. (1) PER SECTOR, TOTAL OF (3))
- NEW T-MOBILE AHLOA RRU MOUNTED TO EX. ANTENNA MOUNTING PIPE, BEHIND ANTENNA (TYP. (1) PER SECTOR, TOTAL OF (3) NOT VISIBLE, BEHIND ANTENNA)
- NEW T-MOBILE FFHH-65C-R3 ANTENNA MOUNTED TO EX. ANTENNA MOUNTING PIPE (TYP. (1) PER SECTOR, TOTAL OF (3))
- (1) NEW T-MOBILE TRUNK CABLE RAN WITHIN EX. MONOPOLE

- NEW LARGE DELTA 600 AMP SSC MOUNTED TO EX. EQUIPMENT PLATFORM
- NEW DELTA (4) STRING BBU CABINET MOUNTED TO EX. EQUIPMENT PLATFORM (NOT VISIBLE, BEYOND)
- NEW T-MOBILE HCS 2.0 TOWER TOP JUNCTION BOX MOUNTED TO EX. UNISTRUT (NOT VISIBLE, BEYOND CABINETS)
- NEW T-MOBILE ICE BRIDGE MOUNTED TO EX. PLATFORM TO MATCH EX.

- NEW T-MOBILE AMIA MODULES MOUNTED WITHIN NEW SSC (NOT VISIBLE, IN CABINET)
- EX. T-MOBILE FSMF MODULES RELOCATED TO NEW SSC (NOT VISIBLE, INSIDE CABINET)
- (1) NEW T-MOBILE TRUNK CABLE RAN WITHIN EX. U/G CONDUIT (NOT VISIBLE, BELOW GRADE)

PRESENTED BY:




15660 MIDWEST RD. SUITE 140 OAKBROOK TERRACE, IL 60181



SITE NAME:
WOODMEN ELEMENTARY

SITE ADDRESS:
8308 DEL RIO ROAD
PEYTON, CO 80831

SITE COUNTY:
EL PASO COUNTY

SITE ID:
DN04333A

REVISIONS			
Rev.	Date	Description	By
0	10.15.20	PRELIM.	GW
1			
2			
3			
4			
5			
6			
7			

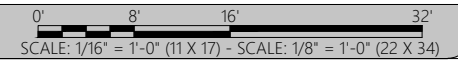
STAMPING SIGNATURE:

THIS WORK WAS PREPARED BY MYSELF OR UNDER MY SUPERVISION. CONSTRUCTION OF THIS PROJECT WILL BE UNDER MY OBSERVATION. ALL SCALES ARE SET FOR 11X17"

SHEET TITLE:
NEW ELEVATIONS

SHEET NUMBER:
T4.1

DRAWN BY: GW CHK BY: GD APV BY: CA



C:\Users\Gary Watts\Insite_Inc\TMO_DEVELOP - Documents\DN04333A\ANCHOR\M4E\CAD\DN04333A_A and E_ANCHOR.dwg PLOT DATE: 10/15/2020 BY: Gary Watts

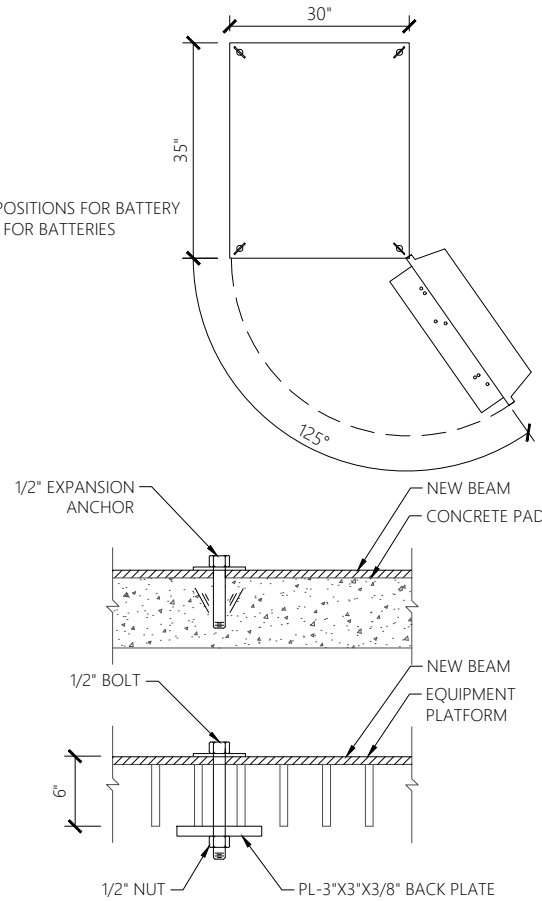
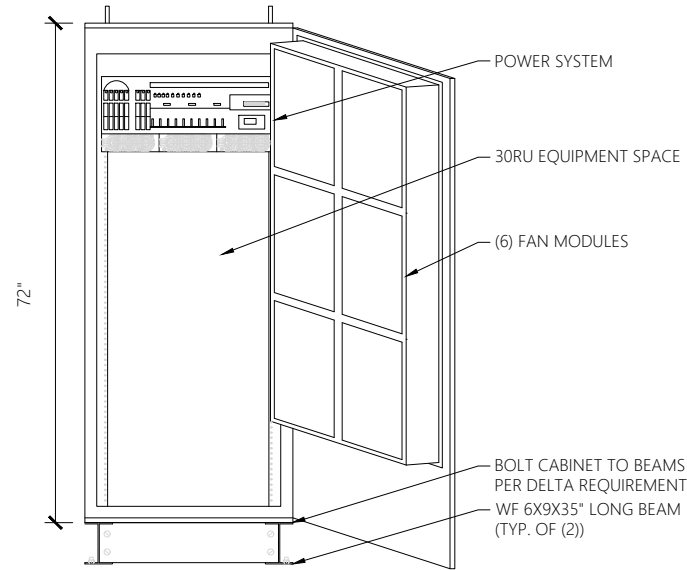
DELTA LARGE OUTDOOR ENCLOSURE: ESOA600-HCU01

INTERNAL RACK DIMENSION

DC OUTPUT CURRENT:
DC OUTPUT VOLTAGE:
CLEARANCES:
ADDITIONAL SPECS:

NOKIA FMFA PLINTH:
WEIGHT:

TOTAL EQUIPMENT SPACE, 30RU:
HORIZONTAL RACK: 19" X 27RU
VERTICAL RACK: 19" X 3RU
POWER SYSTEM SPACE: 23" X 12RU
600A
48 VDC
36" ON ALL SIDES
3 RU FOR DC DISTRIBUTION, RECTIFIER = DPR3000, 2Px3 POSITIONS FOR BATTERY BREAKER., 10 RU FOR EQUIPMENT 19" OR 23", (3) STRINGS FOR BATTERIES
2.7" H x 30" W x 36" D - 20.5 lbs
551 lbs (WITHOUT EQUIPEMENT OR BATTERIES)



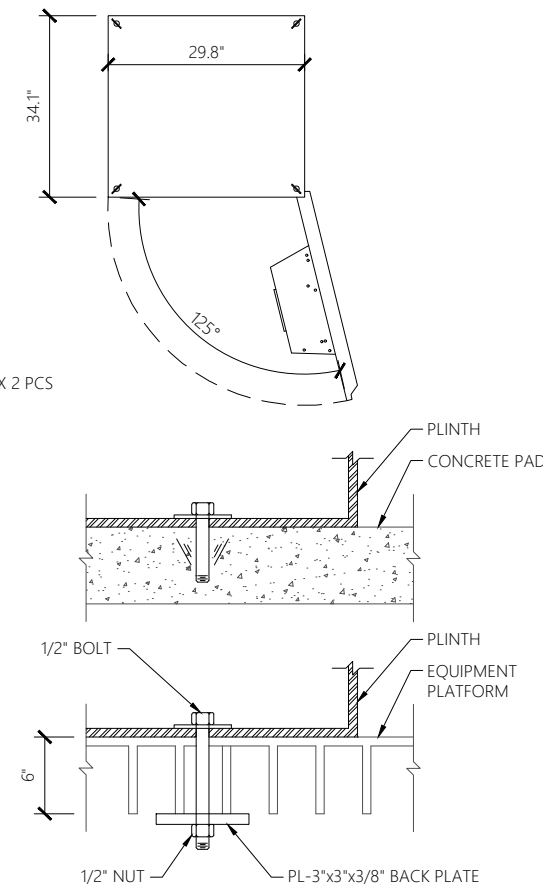
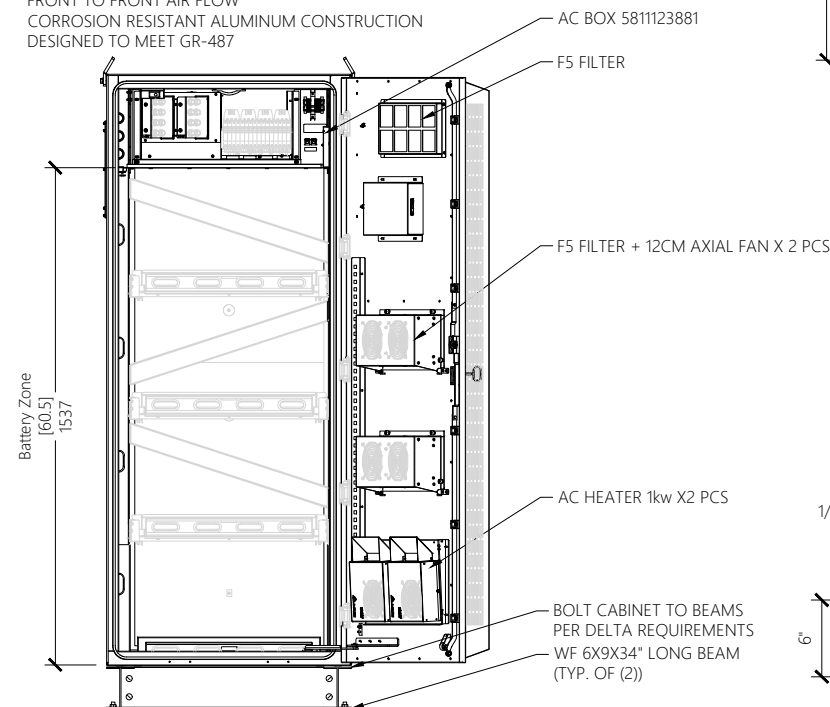
1 NEW DELTA ESOA600 HCU01 DETAIL

SCALE: NTS
SCALE: NTS

DELTA LARGE BATTERY 3 CABINET ENCLOSURE: ESOF015-ECV04

COMPACT DESIGN FOR BATTERY STRINGS:

DIRECT AIR COOLING SOLUTION
SUPPORTS FOUR STRINGS OF -48V VRLA BATTERIES UP TO 210AH
600A RATED BUS BAR WITH 200A BREAKER PER STRING
BULK INPUT/OUTPUT WITH ABILITY TO DAISY CHAIN CABINETS
FRONT TO FRONT AIR FLOW
CORROSION RESISTANT ALUMINUM CONSTRUCTION
DESIGNED TO MEET GR-487



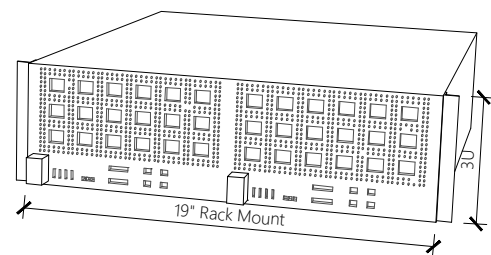
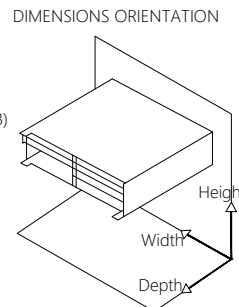
2 NEW DELTA ESOF015-ECV04 DETAIL

SCALE: NTS
SCALE: NTS

AMIA IS PRIMARY FOR INDOOR SITES (ENVIRONMENTALLY CONTROLLED) OR SITE SUPPORT CABINETS

- ONE NOKIA AIRSCALE SUBRACK (AMIA), INCLUDING BACKPLANE FOR HIGH BANDWIDTH CONNECTIVITY BETWEEN PROCESSING PLUG-IN UNITS
- ONE OR TWO NOKIA AIRSCALE COMMON (ASIA) PLUG-IN UNITS FOR TRANSPORT INTERFACING AND FOR CENTRALIZED PROCESSING
- UP TO SIX NOKIA AIRSCALE CAPACITY (ABIA) PLUG-IN UNITS FOR BASEBAND PROCESSING AND FOR OPTICAL INTERFACES WITH RADIO UNITS

PROPERTY	VALUE
HEIGHT	128.5 mm (5.1 in)
DEPTH	400 mm (15.7 in)
WIDTH	447 mm (17.6 in)
WEIGHT	EMPTY: 5.1 kg (11.2 lb) WITH DUMMY PANELS: 6.8 kg (15 LB) WITH ALL UNITS: 23.9 kg (52.7 lb)



3 NEW NOKIA AMIA AIRSCALE DETAIL

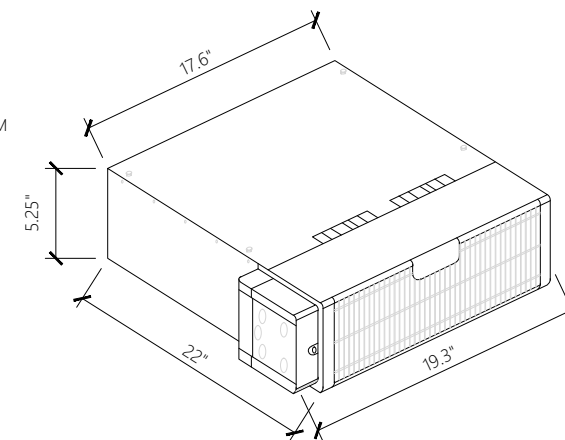
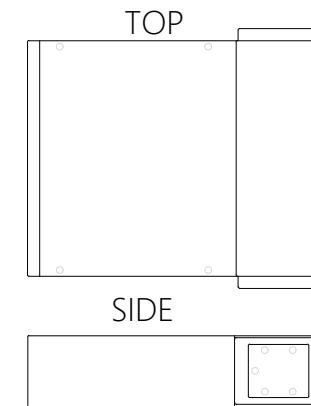
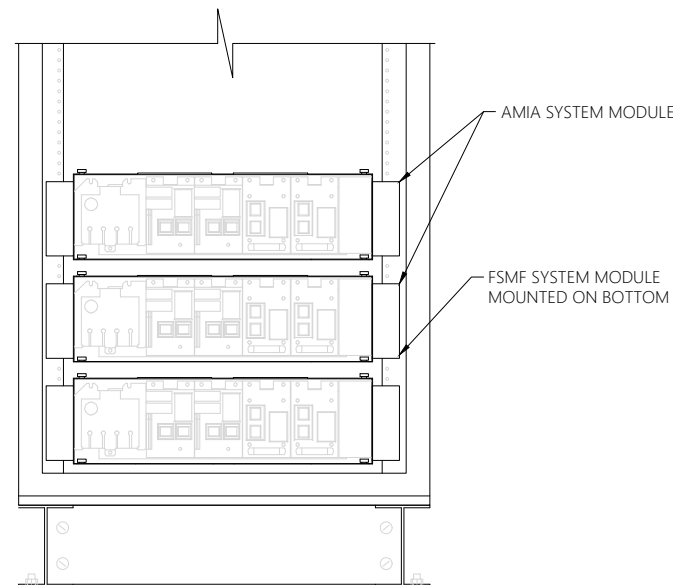
SCALE: NTS
SCALE: NTS

SYSTEM/RADIO MODULES MOUNTED IN SSC

CLEARANCES: FRONT: 23.6"
BACK: 8"
TOP: 1.2"
SIDES: 4"
44 lbs

WEIGHT:

ADDITIONAL NOTE: MODULE CAN BE INSTALLED VERTICALLY & HORIZONTALLY



4 SYSTEM RADIO MODULES MOUNTED IN SSC

SCALE: NTS
SCALE: NTS

PRESENTED BY:



SITE NAME:

WOODMEN ELEMENTARY

SITE ADDRESS:
8308 DEL RIO ROAD
PEYTON, CO 80831

SITE COUNTY:
EL PASO COUNTY

SITE ID:

DN04333A

REVISIONS

Rev.	Date:	Description:	By:
0	10.15.20	PRELIM.	GW
1			
2			
3			
4			
5			
6			
7			

STAMPING SIGNATURE:

THIS WORK WAS PREPARED BY MYSELF OR UNDER MY SUPERVISION. CONSTRUCTION OF THIS PROJECT WILL BE UNDER MY OBSERVATION. ALL SCALES ARE SET FOR 11x17"

SHEET TITLE:

EQUIPMENT DETAILS

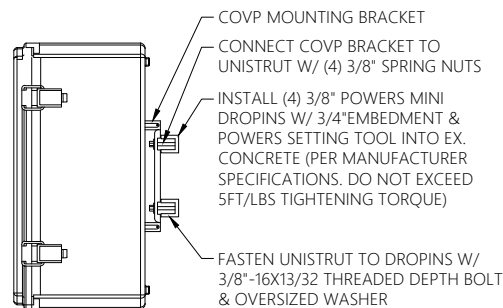
SHEET NUMBER:

T5.0

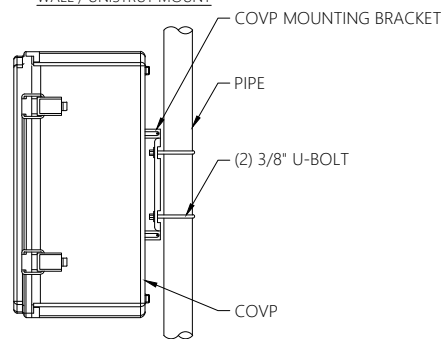
DRAWN BY:	CHK BY:	APV BY:
GW	GD	CA

RAYCAP: BOTTOM COVP/FIBER JUNCTION BOX (RTMDC-5634-PF-48)

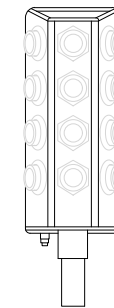
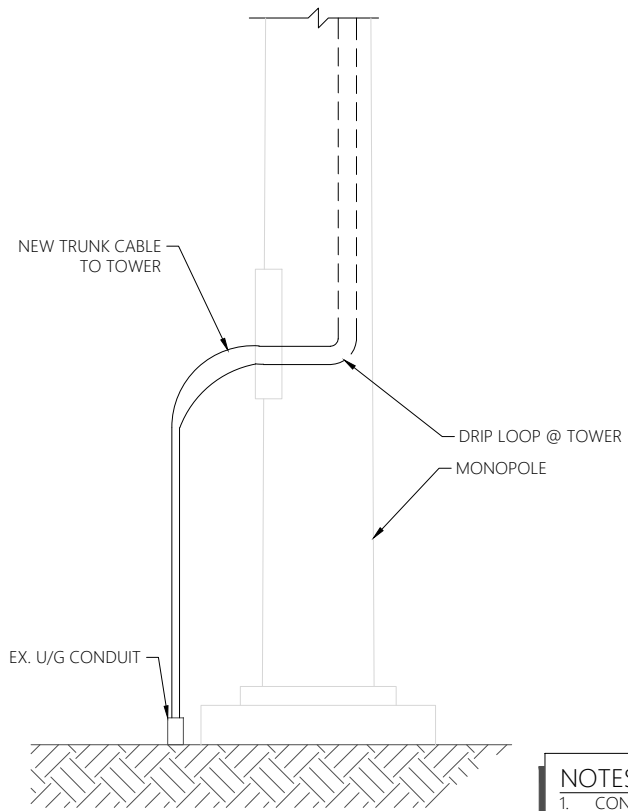
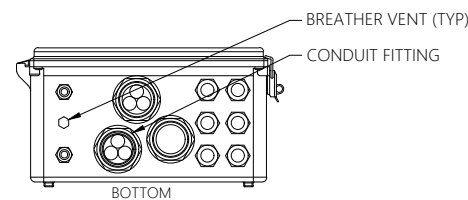
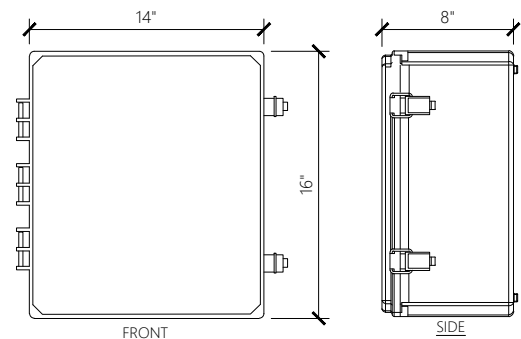
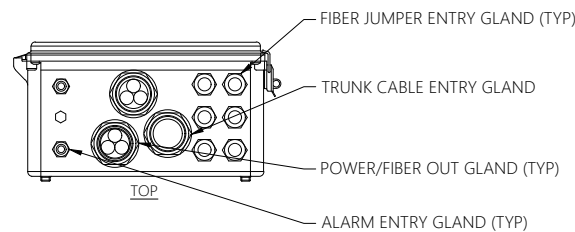
NOMINAL OPERATING VOLTAGE: 48 VDC
 NOMINAL DISCHARGE CURRENT: 20 kA 8/20ms
 MAXIMUM SURGE CURRENT: 60 kA 8/20ms
 MAXIMUM CONTINUOUS OPERATING VOLTAGE: 75 VDC
 VOLTAGE PROTECTION RATING: 400 V
 TOTAL WEIGHT: 21.85 lbs



WALL / UNISTRUT MOUNT

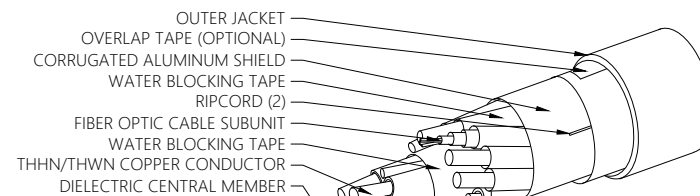


PIPE MOUNT



BREAKOUT FEATURE

- NOTE:
- PERMANENTLY ATTACHED TO TRUNK CABLE, NOT FIELD REMOVABLE/REPLACEABLE
 - NO INTERNAL OVP



HCS 2.0:
 HIGH CAPACITY (1.55\"/>

NWS HIGH CAPACITY 2.0 CABLE SHOWN

NOTES:

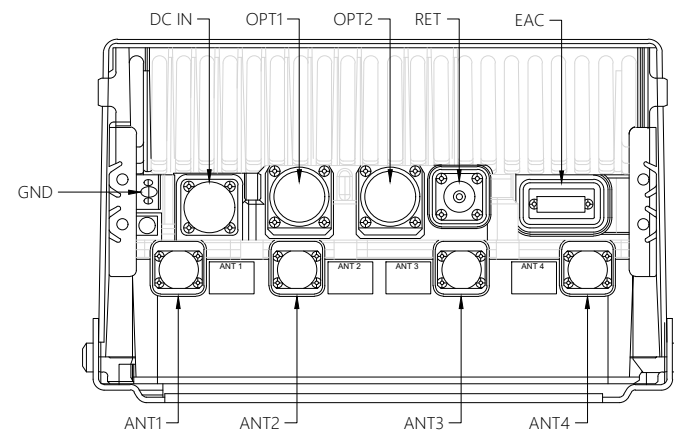
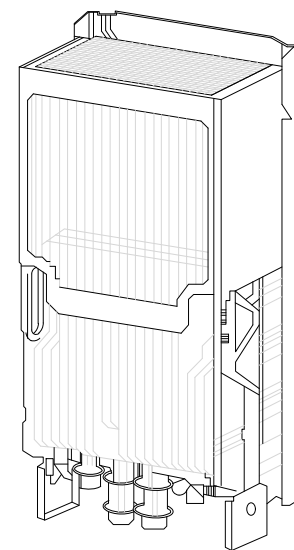
- CONTRACTOR TO VERIFY IF BLOCKS/BUTTERFLIES ARE REQUIRED BY TOWER OWNER
- ALL PARTS TO BE COMMSCOPE OR APPROVED EQUAL

1 NEW RAYCAP RTMDC 5634 PF 48 DETAIL

SCALE: NTS
 SCALE: NTS

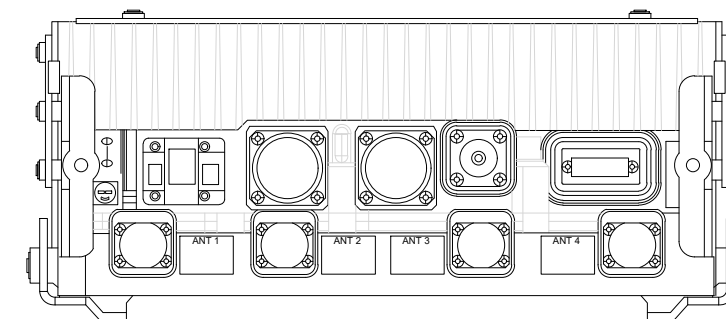
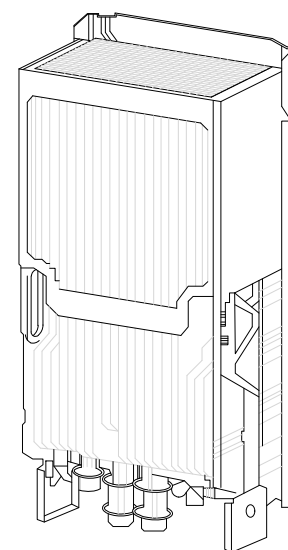
2 NEW HCS 2.0 TRUNK CABLE & MOUNTING DETAIL

SCALE: NTS
 SCALE: NTS



DIMENSION	VALUE
HEIGHT	22 INCHES (W/ BRACKET 26.6 INCHES)
WIDTH	12.1 INCHES (W/ BRACKET 12.9 INCHES)
DEPTH	7.4 INCHES (W/ BRACKET 8.1 INCHES)
WEIGHT	83.8 LBS

CHARACTERISTIC	AHLOA CAPABILITY
NOMINAL SUPPLY VOLTAGE	-48.0 VDC
NOMINAL INPUT VOLT RANGE	-40.5 TO -57.0 VDC
EXTENDED INPUT VOLT RAGE	-36.0 TO -40.5 VDC -57.0 TO -60.0 VDC
VOLTAGE	14.5 V
POWER SUPPLY	T.B.D.



DIMENSION	VALUE
HEIGHT	27.3 INCHES
WIDTH	12 INCHES
DEPTH	5.2 INCHES
WEIGHT	70.5 LBS.

PRODUCT	AHFIG (AIRSCALE 4T4R DUAL MID-BAND RADIO)
TYPE	4T4R RRH (1 PER SECTOR), 2X9.8 CPRI FIBER
MAX OUTPUT POWER	4X40W AWS + 3X80W PCS (MAX 4 CARRIERS PER BAND)
SPECTRUM BAND	B25 + B66 (SRAN CAPABLE)
IBW (DL/UL)	B66: 80MHZ B25: 65 MHZ
FORM FACTOR (HXWXD)	695 MM (27.3") X 308MM (12") X 131MM (5.2")
WEIGHT (LBS)	70.5 LBS (32 KG)

3 NOKIA AHLOA RRU DETAIL

SCALE: NTS
 SCALE: NTS

4 NOKIA AHFIG RRU DETAIL

SCALE: NTS
 SCALE: NTS

PRESENTED BY:



SITE NAME:

WOODMEN ELEMENTARY

SITE ADDRESS:
 8308 DEL RIO ROAD
 PEYTON, CO 80831
 SITE COUNTY:
 EL PASO COUNTY

SITE ID:

DN04333A

REVISIONS

Rev.	Date:	Description:	By:
0	10.15.20	PRELIM.	GW
1			
2			
3			
4			
5			
6			
7			

STAMPING SIGNATURE:

THIS WORK WAS PREPARED BY MYSELF OR UNDER MY SUPERVISION. CONSTRUCTION OF THIS PROJECT WILL BE UNDER MY OBSERVATION. ALL SCALES ARE SET FOR 11X17"

SHEET TITLE:

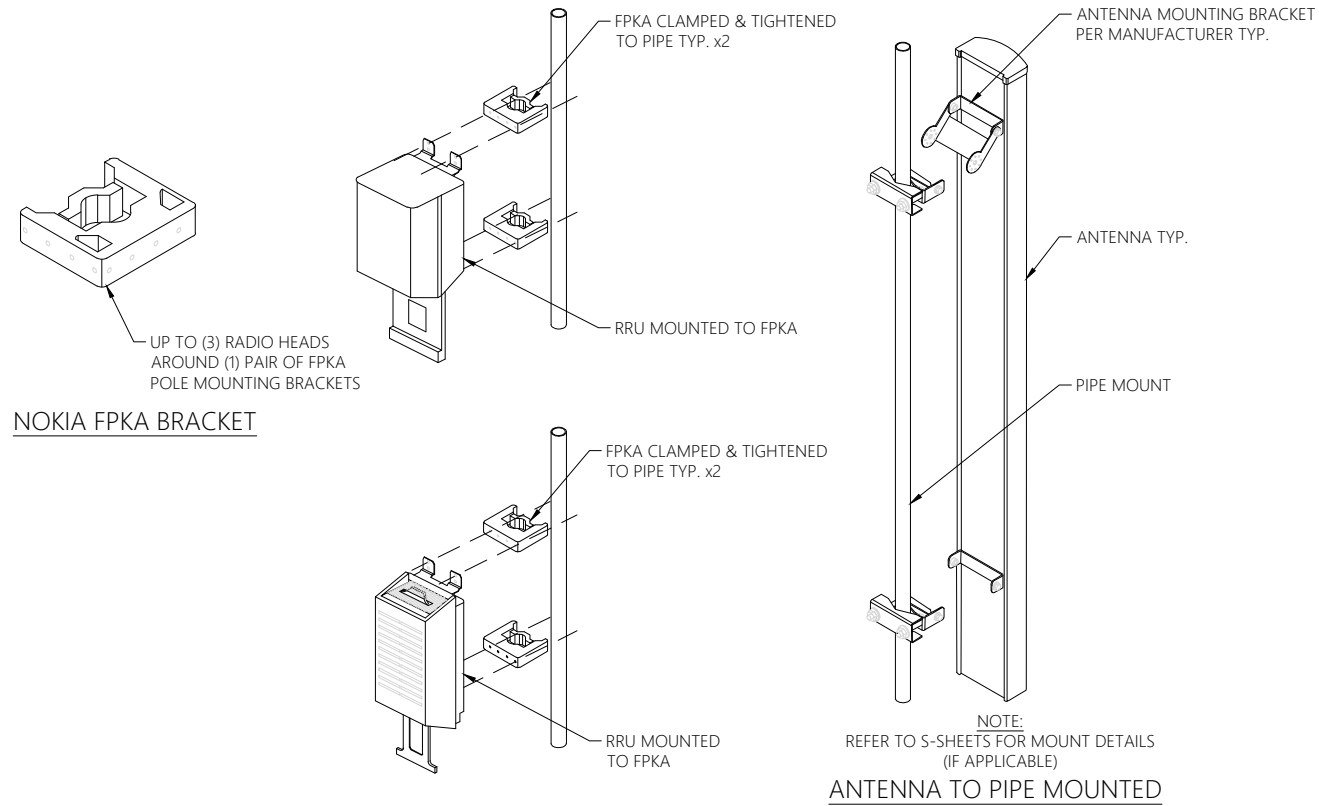
EQUIPMENT DETAILS

SHEET NUMBER:

T5.1

DRAWN BY:	CHK BY:	APV BY:
GW	GD	CA

C:\Users\Gary Watts\Insite_Inc\TMO_DEVELOPER - Documents\DN04333A\ANCHOR\M&E\CAD\DN04333A_A and E_ANCHOR.dwg PLOT DATE: 10/15/2020 BY: Gary Watts



1 RRU AND ANTENNA MOUNTING DETAIL

SCALE: NTS
SCALE: NTS

2 NOT USED

SCALE: NTS
SCALE: NTS

3 NOT USED

SCALE: NTS
SCALE: NTS

4 NOT USED

SCALE: NTS
SCALE: NTS

PRESENTED BY:



SITE NAME:

WOODMEN ELEMENTARY

SITE ADDRESS:
8308 DEL RIO ROAD
PEYTON, CO 80831
SITE COUNTY:
EL PASO COUNTY

SITE ID:

DN04333A

REVISIONS

Rev.	Date:	Description:	By:
0	10.15.20	PRELIM.	GW
1			
2			
3			
4			
5			
6			
7			

STAMPING SIGNATURE:

THIS WORK WAS PREPARED BY MYSELF OR UNDER MY SUPERVISION. CONSTRUCTION OF THIS PROJECT WILL BE UNDER MY OBSERVATION. ALL SCALES ARE SET FOR 11x17"

SHEET TITLE:

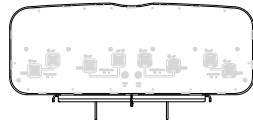
EQUIPMENT DETAILS

SHEET NUMBER:

T5.2

DRAWN BY:	CHK BY:	APV BY:
GW	GD	CA

FFHH-65C-R3



8-port sector antenna, 4x 617-806 and 4x 1695-2360 MHz, 65° HPBW, 3x RET, 600 MHz-Ready Antenna Technology

Electrical Specifications

Frequency Band, MHz	617-698	698-806	1695-1880	1850-1990	1920-2200	2300-2360
Gain, dBi	15.4	15.8	17.9	18.4	18.8	19.6
Beamwidth, Horizontal, degrees	66	61	64	65	64	56
Beamwidth, Vertical, degrees	10.2	9.2	5.7	5.3	4.9	4.4
Beam Tilt, degrees	2-13	2-13	2-12	2-12	2-12	2-12
USLS (First Lobe), dB	18	17	19	19	19	22
Front-to-Back Ratio at 180°, dB	33	31	38	41	40	38
Isolation, dB	28	28	28	28	28	28
Isolation, Intersystem, dB	28	28	28	28	28	28
VSWR Return Loss, dB	1.5 14.0	1.5 14.0	1.5 14.0	1.5 14.0	1.5 14.0	1.5 14.0
PIM, 3rd Order, 2 x 20 W, dBc	-150	-153	-153	-153	-153	-153
Input Power per Port at 50°C, maximum, watts	250	250	250	250	250	200
Polarization	±45°	±45°	±45°	±45°	±45°	±45°
Impedance	50 ohm	50 ohm	50 ohm	50 ohm	50 ohm	50 ohm

Electrical Specifications, BASTA*

Frequency Band, MHz	617-698	698-806	1695-1880	1850-1990	1920-2200	2300-2360
Gain by all Beam Tilts, average, dBi	15.2	15.5	17.5	18.0	18.4	19.2
Gain by all Beam Tilts Tolerance, dB	±0.4	±0.4	±0.4	±0.5	±0.5	±0.6
Gain by Beam Tilt, average, dBi	2° 15.0 8° 15.3 13° 15.1	2° 15.3 8° 15.6 13° 15.3	2° 17.3 7° 17.6 12° 17.5	2° 17.8 7° 18.1 12° 17.9	2° 18.1 7° 18.5 12° 18.4	2° 18.7 7° 19.3 12° 19.2
Beamwidth, Horizontal Tolerance, degrees	±3	±5.1	±5.9	±5.6	±5.9	±7.2
Beamwidth, Vertical Tolerance, degrees	±0.6	±0.6	±0.4	±0.3	±0.4	±0.2
USLS, beampeak to 20° above beampeak, dB	17	14	15	15	16	17
Front-to-Back Total Power at 180° ± 30°, dB	23	21	30	31	31	30
CPR at Boresight, dB	21	20	18	18	19	19
CPR at Sector, dB	7	10	8	7	8	7

* CommScope® supports NGMN recommendations on Base Station Antenna Standards (BASTA). To learn more about the benefits of BASTA, download the whitepaper [Time to Raise the Bar on BSAs](#).

Array Layout



FFHH-65C-R3

Antenna Type	Sector
Band	Multiband
Performance Note	Outdoor usage
Total Input Power, maximum	900 W @ 50 °C

Mechanical Specifications

RF Connector Quantity, total	8
RF Connector Quantity, low band	4
RF Connector Quantity, high band	4
RF Connector Interface	4.3-10 Female
Color	Light gray
Grounding Type	RF connector inner conductor and body grounded to reflector and mounting bracket
Radiator Material	Aluminum Low loss circuit board
Radome Material	Fiberglass, UV resistant
Reflector Material	Aluminum
RF Connector Location	Bottom
Wind Loading, frontal	1055.0 N @ 150 km/h 237.2 lbf @ 150 km/h
Wind Loading, lateral	355.0 N @ 150 km/h 79.8 lbf @ 150 km/h
Wind Loading, maximum	1433.0 N @ 150 km/h 322.2 lbf @ 150 km/h
Wind Speed, maximum	241 km/h 150 mph

Dimensions

Length	2437.0 mm 95.9 in
Width	640.0 mm 25.2 in
Depth	235.0 mm 9.3 in
Net Weight, without mounting kit	57.9 kg 127.6 lb

Remote Electrical Tilt (RET) Information

Input Voltage	10-30 Vdc
Internal RET	High band (2) Low band (1)
Power Consumption, idle state, maximum	1 W
Power Consumption, normal conditions, maximum 10 W	
Protocol	3GPP/AISG 2.0 (Single RET)
RET Interface	8-pin DIN Female 8-pin DIN Male
RET Interface, quantity	1 female 1 male



PRESENTED BY:

T-Mobile

Insite inc.
Wireless Consulting Services
15660 MIDWEST RD. SUITE 140 OAKBROOK TERRACE, IL 60181



SITE NAME:

WOODMEN ELEMENTARY

SITE ADDRESS:
8308 DEL RIO ROAD
PEYTON, CO 80831

SITE COUNTY:
EL PASO COUNTY

SITE ID:

DN04333A

REVISIONS

Rev.	Date:	Description:	By:
0	10.15.20	PRELIM.	GW
1			
2			
3			
4			
5			
6			
7			

STAMPING SIGNATURE:

THIS WORK WAS PREPARED BY MYSELF OR UNDER MY SUPERVISION. CONSTRUCTION OF THIS PROJECT WILL BE UNDER MY OBSERVATION. ALL SCALES ARE SET FOR 11"x17"

SHEET TITLE:

EQUIPMENT DETAILS

SHEET NUMBER:

T5.3

DRAWN BY:	CHK BY:	APV BY:
GW	GD	CA

AEHC AirScale MAA 64T64R 192AE B41 320W

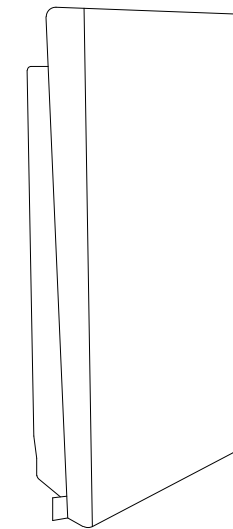
Preliminary technical data

Specificatin	Details
Standard	3GPP NR and LTE compliant, TDD, FCC compliant
Band/Frequency range	2496-2690 Mhz 3 GPP 841
Max. supported modulation	256 QAM
Number of TX/RX paths	64T/64R
MIMO streams	16
Instantaneous bandwidth IBW	194 Mhz
Occupied bandwidth OBW	190 Mhz
Total average EIRP	79 dBm
Max. output power per TRX	5 W / TRX (320 W total)
Dimensions	970 mm (H) x 540 mm (W) x 205 mm (D)
Volume	941
Weight	47 kg (without mounting brackets)
Supply voltage / Connector type	DC -36 V - 60 V / 2 pole connector
Power consumption	1280 W typical (75% DL duty cycle, 30% RF load) 1690 W max (75% DL duty cycle, 100% RF load)
Optical ports	4 x SFP28, 10/25GE eCPRI (Octis)
Other interfaces / Connector type	RF monitor port / SMA, Control AISG, External Alarms / MDR26, status LED
Operational temperature range	-40 °C +55 °C
Cooling	Nateral convection cooling
Installation optinos	Pole / Wall, ± 15° vertical
Ingress / Surge protection	IP65, Class II 20 kA
Supported RAT	5G, TD-LTE

5 © Nokia 2019 Confidential - Commercially not binding. Content of this slide is not final and may change

AirScale High Power Wide Band MAA benefits

- 5G Adaptive Antenna System for optimized capacity and coverage
- Beamforming capable 64T64R with total 320W output power
- Full band operation for B41



AEHC 475124A

NOKIA

PRESENTED BY:

T-Mobile

Insite inc.
Wireless Consulting Services
15660 MIDWEST RD. SUITE 140 OAKBROOK TERRACE, IL 60181

TeleMtn
ENGINEERING

SITE NAME:

WOODMEN ELEMENTARY

SITE ADDRESS:

8308 DEL RIO ROAD

PEYTON, CO 80831

SITE COUNTY:

EL PASO COUNTY

SITE ID:

DN04333A

REVISIONS

Rev.	Date:	Description:	By:
0	10.15.20	PRELIM.	GW
1			
2			
3			
4			
5			
6			
7			

STAMPING SIGNATURE:

THIS WORK WAS PREPARED BY MYSELF OR UNDER MY SUPERVISION.
CONSTRUCTION OF THIS PROJECT WILL BE UNDER MY OBSERVATION. ALL
SCALES ARE SET FOR 11X17"

SHEET TITLE:

EQUIPMENT DETAILS

SHEET NUMBER:

T5.4

DRAWN BY: CHK BY: APV BY:

GW GD CA

ANTENNA NOTES:

- ANTENNA CONTRACTOR SHALL INSURE THAT ALL ANTENNA MOUNTING PIPES ARE PLUMB.
- FEEDLINE LENGTHS INDICATED ARE APPROXIMATE.
- ANTENNA COAXIAL FEEDERS & ANTENNA JUMPERS SHALL BE COLOR CODED PER T-MOBILE REQUIREMENTS.
- IN ADDITION TO THE COLOR CODE THE FOLLOWING ANTENNA SECTOR COLOR STRIPE SHALL BE ADDED TO EACH ANTENNA SECTOR FEEDLINE & JUMPER.
ALPHA - RED STRIPE
BETA - BLUE STRIPE
GAMMA - WHITE STRIPE
DELTA - GREEN STRIPE
EPSILON - GRAY STRIPE
ZETA - BROWN STRIPE
HYBRID - GRAY STRIPE
- MULTI PORT ANTENNAS: TERMINATE UNUSED ANTENNA PORTS WITH CONNECTOR CAP & WEATHERPROOF THOROUGHLY. JUMPERS FROM TMA'S MUST TERMINATE TO OPPOSITE POLARIZATIONS IN EACH SECTOR.
- CONTRACTOR MUST FOLLOW ALL MANUFACTURERS' RECOMMENDATIONS REGARDING THE INSTALLATION OF FEEDLINES, CONNECTORS, AND ANTENNAS.
- MINIMUM BEND RADIUS:
LDF4-50A (1/2" HARD LINE) = 5"
FSJ4-50B (1/2" SUPER FLEX) = 1 1/4"
AVA5-50A (7/8" HARD LINE) = 10"
AVA7-50A (1-5/8" HARD LINE) = 15"
LDF7-50A (1-5/8" HARD LINE) = 20"
- CONTRACTOR SHALL RECORD THE SERIAL #, SECTOR, AND POSITION OF EACH ACTUATOR INSTALLED AT THE ANTENNAS AND PROVIDE THE INFORMATION TO T-MOBILE.
- WEATHERPROOF ALL ANTENNA CONNECTORS WITH SELF AMALGAMATING TAPE.
- ANTENNA CONTRACTOR SHALL PERFORM A "TAPE DROP" MEASUREMENT TO CONFIRM/ VALIDATE ANTENNA CENTERLINE (ACL) HEIGHT. CONTRACTOR SHALL SUBMIT A COMPLETED HEIGHT VERIFICATION FORM TO THE CONSTRUCTION MANAGER.
- ALL FIBER RUNS CONTAINED IN ONE COMMSCOPE HYBRID DC-FIBER CABLE (MODEL# HCS 2.0 TRUNK CABLE 12#6AWG24 SM FIBER PR) FROM LOWER COVP TO UPPER COVP, HYBRID CABLE SHALL BE COLOR CODED PER T-MOBILE REQUIREMENTS.

ANTENNA KEY														
STATUS	ANTENNA NUMBER / SERVICED TECH	COLOR CODE (SEE SNOTE 3)		ANTENNA VENDER	MODEL #	AZIMUTH	ELECT. DOWN TILT	MECH DOWN TILT	ANTENNA CENTERLINE	TECH.	COAXIAL FEEDER		HYBRID FEEDER	
		SECTOR COLOR/#									(QTY) SIZE	COLOR CODE	QUANTITY	COLOR CODE
PROPOSED	A-1 LTE 600, N600, LTE 700, LTE 1900, LTE 2100, UMTS 2100	RED 4		COMMSCOPE	FFHH-65C-R3	20°	0°	0°	86-0"±	LTE 600, N600, LTE 700, LTE 1900, LTE 2100, UMTS 2100	-	-	(4) NEW JUMPERS	-
		RED 3												
		RED 2												
		RED 1												
PROPOSED	A-2 LTE 2500, N2500	RED 1		NOKIA	AEHC	20°	0°	0°	86-0"±	L2500, N2500	-	-	(1) NEW JUMPER	-
PROPOSED	B-1 LTE 600, N600, LTE 700, LTE 1900, LTE 2100, UMTS 2100	BLUE 4		COMMSCOPE	FFHH-65C-R3	140°	0°	0°	86-0"±	LTE 600, N600, LTE 700, LTE 1900, LTE 2100, UMTS 2100	-	-	(4) NEW JUMPERS	-
		BLUE 3												
		BLUE 2												
		BLUE 1												
PROPOSED	B-2 LTE 2500, N2500	BLUE 1		NOKIA	AEHC	140°	0°	0°	86-0"±	L2500, N2500	-	-	(1) NEW JUMPER	-
PROPOSED	C-1 LTE 600, N600, LTE 700, LTE 1900, LTE 2100, UMTS 2100	WHITE 4		COMMSCOPE	FFHH-65C-R3	260°	0°	0°	86-0"±	LTE 600, N600, LTE 700, LTE 1900, LTE 2100, UMTS 2100	-	-	(4) NEW JUMPERS	-
		WHITE 3												
		WHITE 2												
		WHITE 1												
PROPOSED	C-3 LTE 2500, N2500	WHITE 1		NOKIA	AEHC	260°	0°	0°	86-0"±	L2500, N2500	-	-	(1) NEW JUMPER	-

EQUIPMENT PAD / EQUIPMENT KEY						
LOCATION	VENDOR	EQUIPMENT	MODEL NUMBER	TECH.	QTY.	STATUS
MULTI SECTOR	RAYCAP	COVP	RNSNDC-7771-PF-48	-	1	EXISTING
SSC	NOKIA	SYSTEM MODULE	FSMF	U2100	1	EXISTING
MULTI SECTOR	NOKIA	JUNCTION BOX	HCS 2.0 JUNCTION BOX	-	1	PROPOSED
SSC	NOKIA	SYSTEM MODULE	ASIB	LTE 600, LTE 700, LTE 1900, LTE 2100	1	PROPOSED
SSC	NOKIA	SYSTEM MODULE	ASIK	N2500	1	PROPOSED
SSC	NOKIA	SYSTEM MODULE	ASIK	N600	1	PROPOSED
SSC	NOKIA	SYSTEM MODULE	ASIB	LTE 2500	1	PROPOSED
SSC	NOKIA	SYSTEM MODULE	ABIA	LTE 1900, LTE 2100	2	PROPOSED
SSC	NOKIA	SYSTEM MODULE	ABIA	LTE 600, LTE 700	1	PROPOSED
SSC	NOKIA	SYSTEM MODULE	ABIL	N2500	3	PROPOSED
SSC	NOKIA	SYSTEM MODULE	ABIL	N600	1	PROPOSED
SSC	NOKIA	SYSTEM MODULE	ABIC	LTE 2500	3	PROPOSED
SSC	NOKIA	SYSTEM MODULE	AMIA	-	2	PROPOSED
SSC	NOKIA	TRANSPORT SYSTEM	CSR IXRe	-	1	PROPOSED
SSC	-	VOLTAGE BOOSTER	VOLTAGE BOOSTER NEEDED IF TRUNK CABLE IS UNDER 250', EXTRA BOOSTER AMPLIFIER NEEDED IF TRUNK CABLE IS UNDER 250'	-	1	PROPOSED

ROOFTOP EQUIPMENT KEY						
LOCATION	VENDOR	EQUIPMENT	MODEL NUMBER	TECHNOLOGY	QTY.	STATUS
MULTI SECTOR	NOKIA	PENDANT	HCS 2.0 PENDANT	-	1	PROPOSED
1 PER SECTOR	NOKIA	RRU	AHFIG	LTE 1900, LTE 2100, UMTS 2100	3	PROPOSED
1 PER SECTOR	NOKIA	RRU	AHLOA	L600, L700, N600	3	PROPOSED

EQUIPMENT FEEDLINE KEY						
LOCATION	VENDOR	EQUIPMENT	MODEL NUMBER	TECHNOLOGY	QTY.	STATUS
PER SECTOR	NSN	HYBRID CABLE	175'± HIGH CAP HCS	-	1	EXISTING
PER SECTOR	NOKIA	TRUNK CABLE	175'± HCS 2.0 TRUNK CABLE - 12#6AWG 24 SM FIBER PR	-	1	PROPOSED

PRESENTED BY:



SITE NAME:

WOODMEN ELEMENTARY
 SITE ADDRESS:
 8308 DEL RIO ROAD
 PEYTON, CO 80831
 SITE COUNTY:
 EL PASO COUNTY

SITE ID:

DN04333A

REVISIONS

Rev.	Date:	Description:	By:
0	10.15.20	PRELIM.	GW
1			
2			
3			
4			
5			
6			
7			

STAMPING SIGNATURE:



THIS WORK WAS PREPARED BY MYSELF OR UNDER MY SUPERVISION. CONSTRUCTION OF THIS PROJECT WILL BE UNDER MY OBSERVATION. ALL SCALES ARE SET FOR 11x17"

SHEET TITLE:

CONFIGURATION KEYS

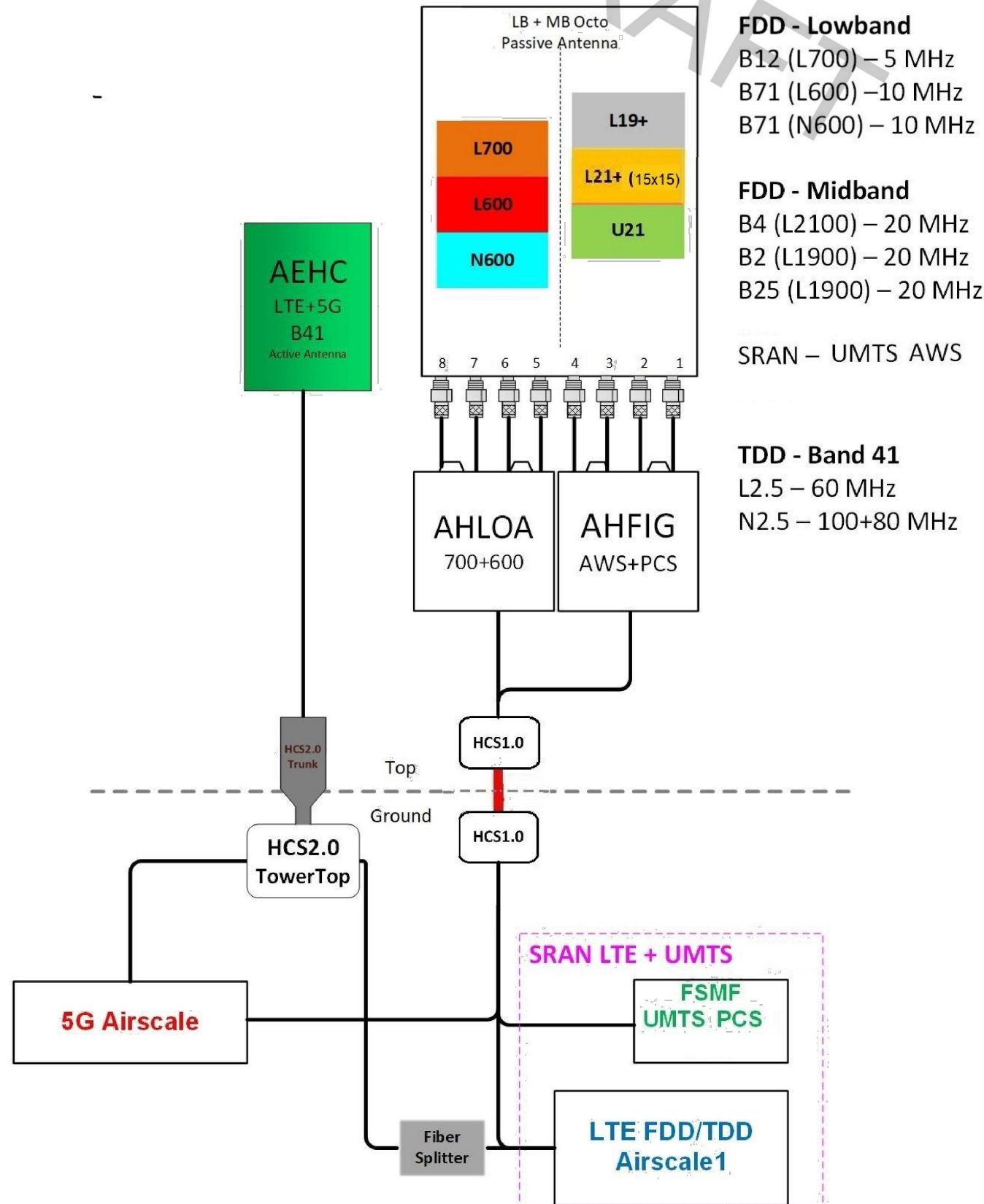
SHEET NUMBER:

T6.0

DRAWN BY:	CHK BY:	APV BY:
GW	GD	CA

Configuration 56791EZ_SR_U21

* For 5G and LTE Airscale BB dimensioning refer to Fiber Port matrices.
(Alpha, Beta & Gamma)



PRESENTED BY:

T-Mobile

Insite inc.
Wireless Consulting Services
15660 MIDWEST RD. SUITE 140 OAKBROOK TERRACE, IL 60181

TeleMtn ENGINEERING

SITE NAME:
WOODMEN ELEMENTARY

SITE ADDRESS:
8308 DEL RIO ROAD
PEYTON, CO 80831

SITE COUNTY:
EL PASO COUNTY

SITE ID:
DN04333A

REVISIONS

Rev.	Date:	Description:	By:
0	10.15.20	PRELIM.	GW
1			
2			
3			
4			
5			
6			
7			

STAMPING SIGNATURE:

THIS WORK WAS PREPARED BY MYSELF OR UNDER MY SUPERVISION. CONSTRUCTION OF THIS PROJECT WILL BE UNDER MY OBSERVATION. ALL SCALES ARE SET FOR 11X17"

SHEET TITLE:
RFDS CONFIGURATION DIAGRAM

SHEET NUMBER:
T6.1

DRAWN BY: GW CHK BY: GD APV BY: CA

GENERAL CONSTRUCTION NOTES

- THE FACILITY IS AN UNOCCUPIED WIRELESS FACILITY.
- PLANS ARE NOT TO BE SCALED AND ARE INTENDED TO BE A DIAGRAMMATIC OUTLINE ONLY, UNLESS NOTED OTHERWISE. THE WORK SHALL INCLUDE FURNISHING MATERIALS, EQUIPMENT, APPURTENANCES AND LABOR NECESSARY TO COMPLETE ALL INSTALLATIONS AS INDICATED ON THE DRAWINGS.
- PRIOR TO THE SUBMISSION OF BIDS, THE CONTRACTORS SHALL VISIT THE JOB SITE AND BE RESPONSIBLE FOR ALL CONTRACT DOCUMENTS, FIELD CONDITIONS AND DIMENSIONS, AND CONFIRMING THAT THE WORK MAY BE ACCOMPLISHED AS SHOWN PRIOR TO PROCEEDING WITH CONSTRUCTION. ANY DISCREPANCIES ARE TO BE BROUGHT TO THE ATTENTION OF THE IMPLEMENTATION ENGINEER AND ARCHITECT/ENGINEER PRIOR TO PROCEEDING WITH THE WORK.
- THE CONTRACTOR SHALL RECEIVE, IN WRITING, AUTHORIZATION TO PROCEED BEFORE STARTING WORK ON ANY ITEM NOT CLEARLY DEFINED OR IDENTIFIED BY THE CONTRACT DOCUMENTS.
- CONTRACTOR SHALL CONTACT LOCAL DIGGERS HOTLINE 48 HOURS PRIOR TO PROCEEDING WITH ANY EXCAVATION, SITE WORK OR CONSTRUCTION.
- THE CONTRACTOR SHALL INSTALL ALL EQUIPMENT AND MATERIALS IN ACCORDANCE WITH MANUFACTURER'S RECOMMENDATIONS UNLESS SPECIFICALLY INDICATED OTHERWISE OR WHERE LOCAL CODES OR REGULATIONS TAKE PRECEDENCE.
- ALL WORK PERFORMED AND MATERIALS INSTALLED SHALL BE IN STRICT ACCORDANCE WITH ALL APPLICABLE CODES, REGULATIONS AND ORDINANCES. CONTRACTOR SHALL GIVE ALL NOTICES AND COMPLY WITH ALL LAWS, ORDINANCES, RULES, REGULATIONS AND LAWFUL ORDERS OF ANY PUBLIC AUTHORITY REGARDING THE PERFORMANCE OF THE WORK. MECHANICAL AND ELECTRICAL SYSTEMS SHALL BE INSTALLED IN ACCORDANCE WITH ALL APPLICABLE MUNICIPAL AND UTILITY COMPANY SPECIFICATIONS, AND LOCAL AND STATE JURISDICTIONAL CODES, ORDINANCES AND APPLICABLE REGULATIONS.
- THE GENERAL CONTRACTOR SHALL SUPERVISE AND DIRECT THE WORK, USING THE BEST SKILLS AND ATTENTION. THE CONTRACTOR SHALL BE SOLELY RESPONSIBLE FOR ALL CONSTRUCTION MEANS, METHODS, TECHNIQUES, SEQUENCES AND PROCEDURES AND FOR COORDINATING ALL PORTIONS OF THE WORK UNDER THE CONTRACT INCLUDING CONTACT AND COORDINATION WITH THE CONSTRUCTION FIELD ENGINEER AND WITH THE LANDLORD'S AUTHORIZED REPRESENTATIVE.
- DETAILS ARE INTENDED TO SHOW END RESULT OF DESIGN. MINOR MODIFICATIONS MAY BE REQUIRED TO SUIT JOB DIMENSIONS OR CONDITIONS, AND SUCH MODIFICATIONS SHALL BE INCLUDED AS PART OF THE WORK.
- REPRESENTATIONS OF TRUE NORTH, OTHER THAN THOSE FOUND ON THE PLOT OF SURVEY DRAWING, SHALL NOT BE USED TO IDENTIFY OR ESTABLISH THE BEARING OF TRUE NORTH AT THE SITE. THE CONTRACTOR SHALL RELY SOLELY ON THE PLOT OF SURVEY DRAWING AND ANY SURVEYOR'S MARKINGS AT THE SITE FOR THE ESTABLISHMENT OF TRUE NORTH, AND SHALL NOTIFY THE ARCHITECT/ENGINEER PRIOR TO PROCEEDING WITH THE WORK IF ANY DISCREPANCY IS FOUND BETWEEN THE VARIOUS ELEMENTS OF THE WORKING DRAWINGS AND THE TRUE NORTH ORIENTATION AS DEPICTED ON THE PLAT OF SURVEY. THE CONTRACTOR SHALL ASSUME SOLE LIABILITY FOR ANY FAILURE TO NOTIFY THE ARCHITECT/ENGINEER.

STRUCTURAL NOTES

GENERAL CONDITIONS

- DESIGN AND CONSTRUCTION OF ALL WORK SHALL CONFORM TO THE APPROVED EDITION OF THE IBC EDITION AND ALL OTHER APPLICABLE STATE CODES, ORDINANCES, AND REGULATIONS. IN CASE OF CONFLICT BETWEEN THE CODES, STANDARDS, AND REGULATIONS. SPECIFICATIONS, GENERAL NOTES AND/OR MANUFACTURER'S REQUIREMENTS. USE THE MOST STRINGENT PROVISION.
- IT IS THE EXPRESS INTENT OF THE PARTIES INVOLVED IN THIS PROJECT THAT THE CONTRACTOR OR SUBCONTRACTOR OR INDEPENDENT CONTRACTOR OR THEIR RESPECTIVE EMPLOYEES SHALL EXCULPATE THE ARCHITECT, THE ENGINEER, THE CONSTRUCTION MANAGER, THE OWNER, AND THEIR AGENTS, FROM ANY LIABILITY WHATSOEVER AND HOLD THEM HARMLESS AGAINST LOSS, DAMAGES, LIABILITY OR ANY EXPENSE ARISING IN ANY MATTER FROM THE WRONGFUL OR NEGLIGENT ACT, OR FAILURE TO CARRY OUT THE WORK IN ACCORDANCE WITH THE CONTRACT DOCUMENTS, OR THE CONSTRUCTION MEANS, METHODS, TECHNIQUES, SEQUENCES OR PROCEDURES OR FAILURE TO CONFORM TO THE STATE SCAFFOLDING ACT IN CONNECTION WITH THE WORK.
- DO NOT SCALE DRAWINGS.
- VERIFY ALL EQUIPMENT MOUNTING DIMENSIONS PER MANUFACTURER DRAWINGS.
- SUBMIT ONE SEPIA AND TWO PRINTS OF ALL STRUCTURAL SHOP DRAWINGS. MARKED UP SEPIA SHALL BE RETURNED.

STRUCTURAL STEEL NOTES:

- CHANNELS, ANGLES AND PLATES SHALL BE ASTM A36 MATERIAL, UNLESS NOTED OTHERWISE.
- SQUARE AND RECTANGULAR TUBE STEEL HSS SECTIONS SHALL BE ASTM A500, GRADE B (Fy = 46 ksi) MATERIAL.
- ROUND PIPE SECTIONS SHALL BE ASTM A53, GRADE B (Fy =35 ksi) MATERIAL.
- DESIGN, FABRICATION, AND ERECTION SHALL BE IN ACCORDANCE WITH THE "AISC SPECIFICATION FOR THE DESIGN, FABRICATION AND ERECTION OF STRUCTURAL STEEL FOR BUILDINGS" , WITH COMMENTARY AND THE "CODE OF STANDARD PRACTICE" .
- ALL STEEL SHALL HAVE ONE COAT OF SHOP PRIMER. DO NOT PAINT AREAS WITHIN 3" OF BOLTS, WELDS OR HEADED STUDS.
- BOLTS SHALL BE HIGH STRENGTH BOLTS, A325, CONFORMING TO ASTM SPECIFICATIONS. ALL CONNECTIONS SHALL HAVE A MINIMUM OF 2 BOLTS.
- WELDING SHALL BE CONDUCTED BY CERTIFIED WELDERS AND SHALL CONFORM TO THE AWS CODES FOR ARC AND GAS WELDING IN BUILDING CONSTRUCTION.
- WELDS SHALL BE MADE USING E70XX ELECTRODES AND SHALL BE 3/16" MINIMUM UNLESS OTHERWISE NOTED.
- WELDING SHALL BE PERFORMED IN ACCORDANCE WITH A WELDED PROCEDURE SPECIFICATION (WPS) AS PER AWS D1.1 , D1.3 AND D1.4.
- ONLY PRE-QUALIFIED WELDING PROCEDURES SHALL BE USED.
- UNLESS SPECIFICALLY ADDRESSED IN THE SPECIFICATIONS OR THE DETAILS, ALL STEEL ITEMS PERMANENTLY EXPOSED TO EARTH OR WEATHER SHALL BE CORROSION-RESISTANT BY GALVANIZING OR BY THE USE OF STAINLESS STEEL.
- ALL FIELD WELDS ON GALVANIZED MATERIAL SHALL BE BRUSH-COATED WITH A ZINC-RICH PAINT.

FRP NOTES:

- ALL FRP MATERIAL SHALL BE EXTREN SERIES 500 OR EQUIVALENT, PRODUCED BY THE PULTRUSION METHOD.
- ALL ADHESIVE RESIN SHALL BE PLEXUS METHACRYLATE OR AN EQUIVALENT ADHESIVE RESIN THAT IS COMPATIBLE WITH THE RESIN MATRIX USED IN THE STRUCTURAL SHAPES.
- ALL FRP CONNECTIONS SHALL BE FULLY-BONDED AT EACH SIDE WITH A 1/4" PLATE AND A MINIMUM OF (2) 3/8" DIAMETER FLATHEAD FRP SCREWS PER MEMBER.
- ISOPLAST NUTS AND BOLTS SHALL BE TIGHTENED TO A SNUG-TIGHT FIT PLUS AN ADDITIONAL 1/2 TURN, PRIOR TO BEING LOCKED WITH EPOXY.
- ALL PANELS / SHEATHING SHALL BE FULLY BONDED WITH 3/8" FLATHEAD FRP SCREWS AT 12" O.C.
- ALL FIELD CUT AND DRILLED EDGES, HOLES AND ABRASIONS SHALL BE SEALED WITH A CATALYZED EPOXY RESIN COMPATIBLE WITH THE MANUFACTURER'S ORIGINAL RESIN.

STANDARDS FOR ALL CONCRETE WORK

- ALL CONCRETE WORK SHALL CONFORM WITH ACI. 318 OR LATEST. DETAIL REINFORCING IN CONFORMANCE WITH ACI. SP66 LATEST.
- NO SPLICES OF REINFORCEMENT SHALL BE MADE EXCEPT AS DETAILED OR AUTHORIZED BY THE STRUCTURAL ENGINEER. LAP SPLICES WHERE PERMITTED SHALL BE A MINIMUM OF 30 BAR DIAMETERS.
- PROVIDE ALL ACCESSORIES NECESSARY TO SUPPORT REINFORCING AT POSITIONS SHOW ON DRAWINGS.
- WIRE FABRIC REINFORCEMENT MUST LAP ONE FULL MESH AT SIDE AND END LAPS SHALL BE TIED TOGETHER.
- CURE AFTER FINISHING CONCRETE. KEEP MOIST FOR 7 DAYS AFTER POURING.
- COMPACT STRUCTURAL FILL 95% PROCTOR DENSITY PRIOR TO PLACING CONCRETE UNDER SLABS.
- 1/4" CHAMFER ON ALL CORNERS AND EDGES.
- ALL CONCRETE SHALL BE PORTLAND, TYPE 1 CEMENT WITH A MINIMUM OF 28 DAY STRENGTH OF 3000 PSI., 4" SLUMP AND A MINIMUM AIR ENTRAPMENT OF 4%.
- ALL REINFORCING STEEL SHALL BE GRADE 60. ALL REINFORCING MESH SHALL CONFORM TO ASTM A 185.

ELECTRICAL NOTES


- SUBMITTAL OF BID INDICATES CONTRACTOR IS COGNIZANT OF ALL JOB SITE CONDITIONS AND WORK TO BE PERFORMED UNDER THIS CONTRACT. CONTRACTOR IS RESPONSIBLE FOR ALL FIELD VERIFICATION.
- THESE PLANS ARE DIAGRAMMATIC ONLY, AND NOT TO BE SCALED.
- ELECTRICAL CONTRACTOR SHALL PROVIDE ALL LABOR, MATERIALS, INSURANCE, EQUIPMENT, INSTALLATION, CONSTRUCTION TOOLS, TRANSPORTATION, ETC. FOR A COMPLETE AND PROPERLY OPERATIVE SYSTEM ENERGIZED THROUGHOUT AND AS INDICATED ON DRAWINGS, AS SPECIFIED HEREIN AND/OR AS OTHERWISE REQUIRED.
- ALL MATERIALS AND EQUIPMENT SHALL BE NEW AND IN PERFECT CONDITION WHEN INSTALLED AND SHALL BE OF THE BEST GRADE OR GROUP OF EQUIPMENT. MATERIALS SHALL BE LISTED AND APPROVED BY UNDER-WRITER'S LABORATORY AND SHALL BEAR THE INSPECTION LABEL "I" WHERE SUBJECT TO SUCH APPROVAL MATERIALS SHALL MEET WITH APPROVAL OF THE DIVISION OF INDUSTRIAL SAFETY AND ALL GOVERNING BODIES HAVING JURISDICTION. MATERIALS SHALL BE MANUFACTURED IN ACCORDANCE WITH APPLICABLE STANDARDS ESTABLISHED BY ANSI, NEMA AND NBFU.
- ALL CONDUIT INSTALLED SHALL BE SURFACE MOUNTED UNLESS OTHERWISE NOTED.
- ELECTRICAL CONTRACTOR SHALL CARRY OUT HIS WORK WITH ACCORDANCE WITH ALL GOVERNING STATE, COUNTY, LOCAL CODES AND O.S.H.A.
- ELECTRICAL CONTRACTOR SHALL SECURE ALL NECESSARY ELECTRICAL PERMITS, AND PAY ALL REQUIRED FEES.
- COMPLETE JOB SHALL BE GUARANTEED FOR A PERIOD OF NO LESS THAN ONE YEAR AFTER THE DATE OF JOB COMPLETION. ANY WORK, MATERIAL, OR EQUIPMENT FOUND TO BE FAULTY DURING THAT PERIOD SHALL BE CORRECTED AT ONCE, UPON WRITTEN NOTIFICATION, AT THE EXPENSE OF THE ELECTRICAL CONTRACTOR.
- ALL CONDUIT ONLY (C.O.) SHALL HAVE A PULL WIRE OR ROPE, AND TRUE TAPE.
- PROVIDE THE OWNER WITH ONE SET OF COMPLETE DIMENSIONS AND CIRCUITS, WITHIN 10 WORKING DAYS OF PROJECT COMPLETION. ELECTRICAL "AS BUILT" DRAWINGS, SHOWING ACTUAL LOCATION OF CONDUITS.
- ALL BROCHURES, OPERATING MANUALS, CATALOGS, SHOP DRAWINGS, ETC. SHALL BE TURNED OVER TO PROJECT MANAGER AT JOB COMPLETION.
- USE T-TAP CONNECTIONS ON ALL MULTI-CIRCUITS WITH COMMON NEUTRAL CONDUCTOR FOR LIGHTING FIXTURE. ALL CONDUCTORS SHALL BE COPPER.
- THE EXTERIOR GROUND RING SHALL BE TESTED PER CCI SPECIFICATIONS AND SHALL HAVE A RESISTANCE TO EARTH OF 5 OHMS OR LESS. IF NOT NOTIFY ENGINEER.
- ALL CIRCUIT BREAKERS, FUSES AND ELECTRICAL EQUIPMENT SHALL HAVE AN INTERRUPTING RATING NOT LESS THAN THE MAXIMUM SHORT =CIRCUIT CURRENT TO WHICH THEY MAY BE SUBJECTED, AND A MINIMUM OF 10,000 A.I.C.
- THE ENTIRE ELECTRICAL INSTALLATION SHALL BE GROUNDED AS REQUIRED BY ALL APPLICABLE CODES.
- PATCH, REPAIR, AND PAINT ANY AREA THAT HAS BEEN DAMAGED IN THE COURSE OF THE ELECTRICAL WORK.
- IN DRILLING HOLES INTO CONCRETE (WHETHER FOR FASTENING OR ANCHORING PURPOSES OR PENETRATIONS THROUGH THE FLOOR FOR CONDUIT RUNS, PIPE RUNS, ETC.) IT MUST BE CLEARLY UNDERSTOOD THAT TENDONS AND RE-BARS WILL NOT BE DRILLED INTO, CUT, OR DAMAGED UNDER ANY CIRCUMSTANCES.
- LOCATION OF TENDONS AN RE-BARS ARE NOT DEFINITELY KNOWN AND THEREFORE MUST BE SEARCHED FOR BY APPROPRIATE METHODS AND EQUIPMENT VIA X-RAY, OR OTHER DEVICES THAT CAN ACCURATELY LOCATE THE REINFORCING STEEL TENDONS.
- PENETRATIONS IN FIRE RATED WALLS SHALL BE FIRE STOPPED IN ACCORDANCE WITH APPLICABLE LOCAL BUILDING CODES. USING U.L. RATED MATERIALS.
- ELECTRICAL CONTRACTOR IS TO COORDINATE WITH UTILITY COMPANY FOR CONNECTION OF TEMPORARY AND PERMANENT POWER TO THE SITE. THE TEMPORARY POWER AND ALL HOOK-UP COSTS SHALL BE PAID BY THE CONTRACTOR.
- ELECTRICAL CONTRACTOR SHALL SUBMIT SHOP DRAWINGS AND/OR CATALOG CUT-SHEETS ON ALL NON-SPECIFIED ORIGINAL MATERIALS AND EQUIPMENT, TO PROJECT MANAGER PRIOR TO COMMENCEMENT OF THE WORK.
- UPON COMPLETION OF WORK, CONDUCT CONTINUITY AND SHORT CIRCUIT, AS WELL AS, GROUNDING TEST, GROUNDING TEST SHALL BE PERFORMED BY INDEPENDENT TESTING AGENCY, WITH WRITTEN REPORT SUBMITTED TO THE PROJECT MANAGER FOR REVIEW AND APPROVAL.


- CLEAN PREMISES DAILY OF ALL DEBRIS RESULTING FROM WORK AND LEAVE WORK PREMISES IN A COMPLETE AND UNDAMAGED CONDITION.
- ALL EXTERIOR WALL PENETRATIONS SHALL BE SEALED WITH POLYSEAM SEALANT.
- ALL #2 TINNED BARE COPPER DOWNLEADS TO BE PROTECTED BY 1/2" P.V.C. PIPE AND SECURED.
- COMPRESSION FITTINGS TO BE USED ON ALL CONDUITS (NO SET SCREWS).
- ALL #6 STRANDED COPPER WITH GREEN INSULATION TO BE ATTACHED WITH CRIMPED DOUBLE LUG, ATTACHED WITH NUTS, BOLTS AND STAR WASHERS TYPICAL AND NO-OX GREASE BETWEEN LUG AND BUS BAR.
- ALL ABOVE GROUND CONDUIT SHALL BE RIGID GALVANIZED CONDUIT WITH WEATHERPROOF FITTINGS.


GROUNDING

- ALL METALLIC PARTS OF ELECTRICAL EQUIPMENT WHICH DO NOT CARRY CURRENT SHALL BE GROUNDED IN ACCORDANCE WITH THE REQUIREMENTS OF THE BUILDING MANUFACTURER, T-MOBILE GROUNDING AND BONDING STANDARDS, AND THE NATIONAL ELECTRICAL CODE.
- PROVIDE ELECTRICAL GROUNDING AND BONDING SYSTEM INDICATED WITH ASSEMBLY OF MATERIALS, INCLUDING GROUNDING ELECTRODES, BONDING JUMPERS AND ADDITIONAL ACCESSORIES AS REQUIRED FOR A COMPLETE INSTALLATION.
- ALL GROUNDING CONDUCTORS SHALL PROVIDE A STRAIGHT DOWNWARD PATH TO GROUND WITH GRADUAL BEND AS REQUIRED. GROUNDING CONDUCTORS SHALL NOT BE LOOPED OR SHARPLY BENT. ROUTE GROUNDING CONNECTIONS AND CONDUCTORS TO GROUND IN THE SHORTEST AND STRAIGHTEST PATHS POSSIBLE TO MINIMIZE TRANSIENT VOLTAGE RISES. BUILDINGS AND/OR NEW TOWERS GREATER THAN 75 FEET IN HEIGHT AND WHERE THE MAIN
- GROUNDING CONDUCTORS ARE REQUIRED TO BE ROUTED TO GRADE, THE CONTRACTOR SHALL ROUTE TWO GROUNDING CONDUCTORS FROM THE ROOFTOP, TOWERS, AND WATER TOWERS GROUND RING, TO THE EXISTING GROUNDING SYSTEM. THE GROUNDING CONDUCTORS SHALL NOT BE SMALLER THAN #2 AWG COPPER. ROOFTOP GROUND RING SHALL BE BONDED TO THE EXISTING GROUNDING SYSTEM, THE BUILDING STEEL COLUMNS, LIGHTNING PROTECTION SYSTEM, AND BUILDING MAIN WATER LINE (FERROUS OR NONFERROUS METAL PIPING ONLY).
- TIGHTEN GROUNDING AND BONDING CONNECTORS, INCLUDING SCREWS AND BOLTS, IN ACCORDANCE WITH MANUFACTURER'S PUBLISHED TORQUE TIGHTENING VALUES FOR CONNECTORS AND BOLTS. WHERE MANUFACTURER'S TORQUING REQUIREMENTS ARE NOT AVAILABLE, TIGHTEN CONNECTIONS TO COMPLY WITH TIGHTENING TORQUE VALUES SPECIFIED IN UL TO ASSURE PERMANENT AND EFFECTIVE GROUNDING. CONTRACTOR SHALL VERIFY THE LOCATIONS OF GROUNDING TIE-IN-POINTS TO THE EXISTING
- ALL UNDERGROUND GROUNDING CONNECTIONS SHALL BE MADE BY THE GROUNDING SYSTEM. EXOTHERMIC WELD PROCESS AND INSTALLED IN ACCORDANCE WITH THE MANUFACTURER'S INSTRUCTIONS.
- ALL GROUNDING CONNECTIONS SHALL BE INSPECTED FOR TIGHTNESS. EXOTHERMIC WELDED CONNECTIONS SHALL BE APPROVED BY THE INSPECTOR HAVING JURISDICTION BEFORE BEING PERMANENTLY CONCEALED.
- APPLY CORROSION-RESISTANCE FINISH TO FIELD CONNECTIONS AND PLACES WHERE FACTORY APPLIED PROTECTIVE COATINGS HAVE BEEN DESTROYED.
- A SEPARATE, CONTINUOUS, INSULATED EQUIPMENT GROUNDING CONDUCTOR SHALL BE INSTALLED IN ALL FEEDER AND BRANCH CIRCUITS.
- BOND ALL INSULATED GROUNDING BUSHINGS WITH A BARE 6 AWG GROUNDING CONDUCTOR TO A GROUND BUS.
- DIRECT BURIED GROUNDING CONDUCTORS SHALL BE INSTALLED AT A NOMINAL DEPTH OF 36" MINIMUM BELOW GRADE, OR 6" BELOW THE FROST LINE, USE THE GREATER OF THE TWO DISTANCES.
- ALL GROUNDING CONDUCTORS EMBEDDED IN OR PENETRATING CONCRETE SHALL BE INSTALLED IN SCHEDULE 40 PVC CONDUIT.
- THE INSTALLATION OF CHEMICAL ELECTROLYTIC GROUNDING SYSTEM IN STRICT ACCORDANCE WITH MANUFACTURER'S INSTRUCTIONS. REMOVE SEALING TAPE FROM LEACHING AND BREATHER HOLES. INSTALL PROTECTIVE BOX FLUSH WITH GRADE.
- DRIVE GROUND RODS UNTIL TOPS ARE A MINIMUM DISTANCE OF 36" DEPTH OR 6" BELOW FROST LINE, USING THE GREATER OF THE TWO DISTANCES.
- IF COAX ON THE ICE BRIDGE IS MORE THAN 6 FT. FROM THE GROUND BAR AT THE BASE OF THE TOWER, A SECOND GROUND BAR WILL BE NEEDED AT THE END OF THE ICE BRIDGE, TO GROUND THE COAX CABLE GROUNDING KITS AND IN-LINE ARRESTORS
- CONTRACTOR SHALL REPAIR, AND/OR REPLACE, EXISTING GROUNDING SYSTEM COMPONENTS DAMAGED DURING CONSTRUCTION AT THE CONTRACTORS EXPENSE.

PRESENTED BY:







SITE NAME:

WOODMEN ELEMENTARY


SITE ADDRESS:
**8308 DEL RIO ROAD
 PEYTON, CO 80831**

SITE COUNTY:
EL PASO COUNTY

SITE ID:
DN04333A

REVISIONS			
Rev.	Date:	Description:	By:
0	10.15.20	PRELIM.	GW
1			
2			
3			
4			
5			
6			
7			

STAMPING SIGNATURE:



THIS WORK WAS PREPARED BY MYSELF OR UNDER MY SUPERVISION. CONSTRUCTION OF THIS PROJECT WILL BE UNDER MY OBSERVATION. ALL SCALES ARE SET FOR 1"=12"

SHEET TITLE:

GENERAL NOTES

SHEET NUMBER:
GN1.0

DRAWN BY:	CHK BY:	APV BY:
GW	GD	CA

C:\Users\Gary Watts\Insite_Inc\TMO_DEVELOPER - Documents\DN04333A\ANCHOR\M&E\CAD\DN04333A_A and E_ANCHOR.dwg PLOT DATE: 10/15/2020 BY: Gary Watts