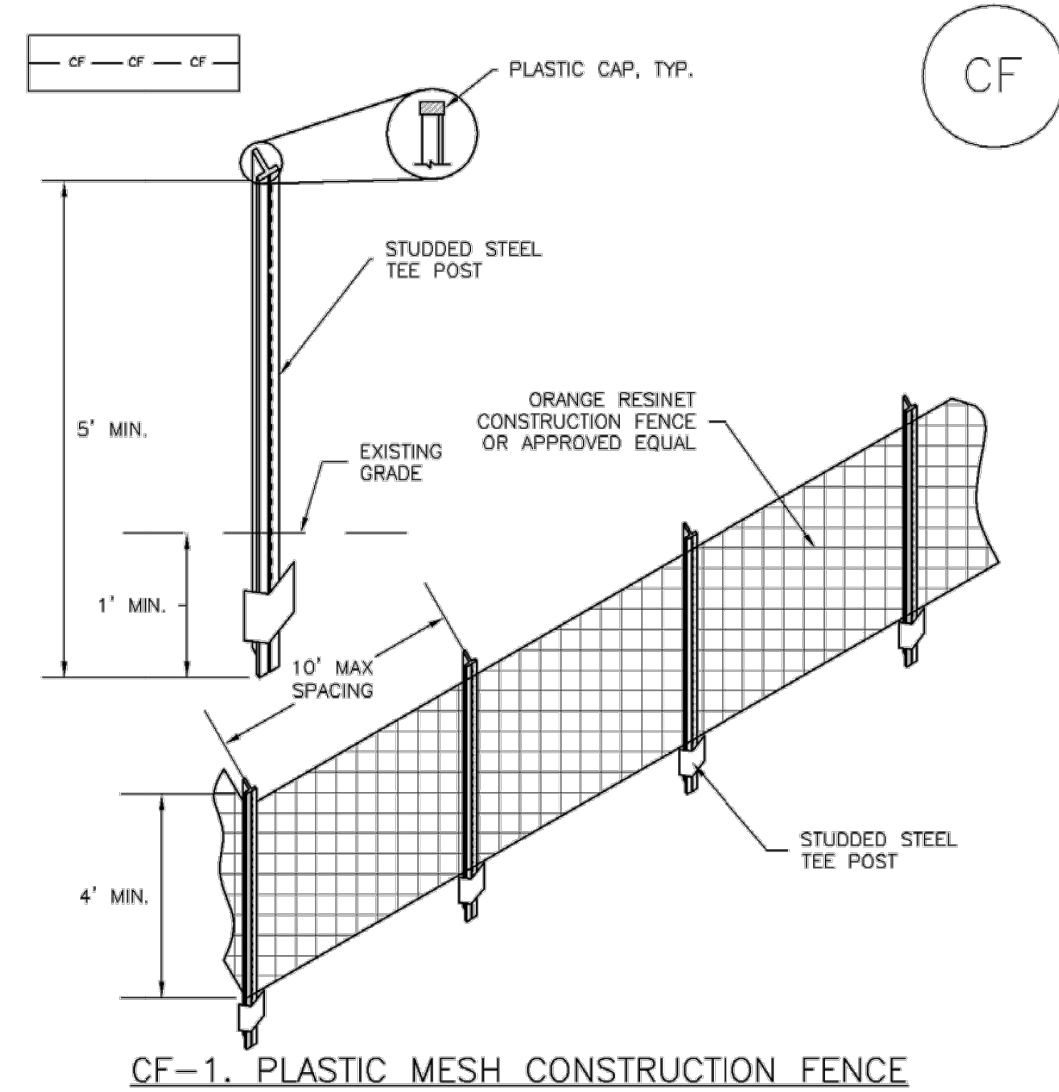


SM-3 Construction Fence (CF)



CF-1. PLASTIC MESH CONSTRUCTION FENCE

CONSTRUCTION FENCE INSTALLATION NOTES

1. SEE PLAN VIEW FOR: -LOCATION OF CONSTRUCTION FENCE.
2. CONSTRUCTION FENCE SHOWN SHALL BE INSTALLED PRIOR TO ANY LAND DISTURBING ACTIVITIES.
3. CONSTRUCTION FENCE SHALL BE COMPOSED OF ORANGE, CONTRACTOR-GRADE MATERIAL THAT IS AT LEAST 4' HIGH. METAL POSTS SHOULD HAVE A PLASTIC CAP FOR SAFETY.
4. STUDDED STEEL TEE POSTS SHALL BE UTILIZED TO SUPPORT THE CONSTRUCTION FENCE. MAXIMUM SPACING FOR STEEL TEE POSTS SHALL BE 10'.
5. CONSTRUCTION FENCE SHALL BE SECURELY FASTENED TO THE TOP, MIDDLE, AND BOTTOM OF EACH POST.

CF-2 Urban Drainage and Flood Control District Urban Storm Drainage Criteria Manual Volume 3 November 2010

Temporary and Permanent Seeding (TS/PS) EC-2

Seeding dates for the highest success probability of perennial species along the Front Range are generally in the spring from April through early May and in the fall after the first of September until the ground freezes. If the area is irrigated, seeding may occur in summer months, as well. See Table TS/PS-3 for appropriate seeding dates.

Table TS/PS-1. Minimum Drill Seeding Rates for Various Temporary Annual Grasses

| Species* (Common name) | Growth Season | Pounds of Pure Live Seed (PLS)/acre | Planting Depth (inches) |
|------------------------|---------------|-------------------------------------|-------------------------|
| 1. Oats | Cool | 35 - 50 | 1 - 2 |
| 2. Spring wheat | Cool | 25 - 35 | 1 - 2 |
| 3. Spring barley | Cool | 25 - 35 | 1 - 2 |
| 4. Annual ryegrass | Cool | 10 - 15 | ½ |
| 5. Millet | Warm | 3 - 15 | ½ - ¾ |
| 6. Sudangrass | Warm | 5 - 10 | ½ - ¾ |
| 7. Sorghum | Warm | 5 - 10 | ½ - ¾ |
| 8. Winter wheat | Cool | 20 - 35 | 1 - 2 |
| 9. Winter barley | Cool | 20 - 35 | 1 - 2 |
| 10. Winter rye | Cool | 20 - 35 | 1 - 2 |
| 11. Triticale | Cool | 25 - 40 | 1 - 2 |

* Successful seeding of annual grass resulting in adequate plant growth will usually produce enough dead-plant residue to provide protection from wind and water erosion for an additional year. This assumes that the cover is not disturbed or mowed closer than 8 inches.

Hydraulic seeding may be substituted for drilling only where slopes are steeper than 3:1 or where access limitations exist. When hydraulic seeding is used, hydraulic mulching should be applied as a separate operation, when practical, to prevent the seeds from being encapsulated in the mulch.

^b See Table TS/PS-3 for seeding dates. Irrigation, if consistently applied, may extend the use of cool season species during the summer months.

^c Seeding rates should be doubled if seed is broadcast, or increased by 50 percent if done using a Brillion Drill or by hydraulic seeding.

June 2012 Urban Drainage and Flood Control District Urban Storm Drainage Criteria Manual Volume 3 TS/PS-3

Construction Fence (CF) SM-3

CONSTRUCTION FENCE MAINTENANCE NOTES

1. INSPECT BMPs EACH WORKDAY, AND MAINTAIN THEM IN EFFECTIVE OPERATING CONDITION. MAINTENANCE OF BMPs SHOULD BE PROACTIVE, NOT REACTIVE. INSPECT BMPs AS SOON AS POSSIBLE (AND ALWAYS WITHIN 24 HOURS) FOLLOWING A STORM THAT CAUSES SURFACE EROSION, AND PERFORM NECESSARY MAINTENANCE.
2. FREQUENT OBSERVATIONS AND MAINTENANCE ARE NECESSARY TO MAINTAIN BMPs IN EFFECTIVE OPERATING CONDITION. INSPECTIONS AND CORRECTIVE MEASURES SHOULD BE DOCUMENTED THOROUGHLY.
3. WHERE BMPs HAVE FAILED, REPAIR OR REPLACEMENT SHOULD BE INITIATED UPON DISCOVERY OF THE FAILURE.
4. CONSTRUCTION FENCE SHALL BE REPAIRED OR REPLACED WHEN THERE ARE SIGNS OF DAMAGE SUCH AS RIPS OR SAGS. CONSTRUCTION FENCE IS TO REMAIN IN PLACE UNTIL THE UPSTREAM DISTURBED AREA IS STABILIZED AND APPROVED BY THE LOCAL JURISDICTION.
5. WHEN CONSTRUCTION FENCES ARE REMOVED, ALL DISTURBED AREAS ASSOCIATED WITH THE INSTALLATION, MAINTENANCE, AND/OR REMOVAL OF THE FENCE SHALL BE COVERED WITH TOPSOIL, SEEDED AND MULCHED, OR OTHERWISE STABILIZED AS APPROVED BY LOCAL JURISDICTION.

NOTE: MANY JURISDICTIONS HAVE BMP DETAILS THAT VARY FROM UDFCD STANDARD DETAILS. CONSULT WITH LOCAL JURISDICTIONS AS TO WHICH DETAIL SHOULD BE USED WHEN DIFFERENCES ARE NOTED.

(DETAIL ADAPTED FROM TOWN OF PARKER, COLORADO, NOT AVAILABLE IN AUTOCAD)

November 2010 Urban Drainage and Flood Control District Urban Storm Drainage Criteria Manual Volume 3 CF-3

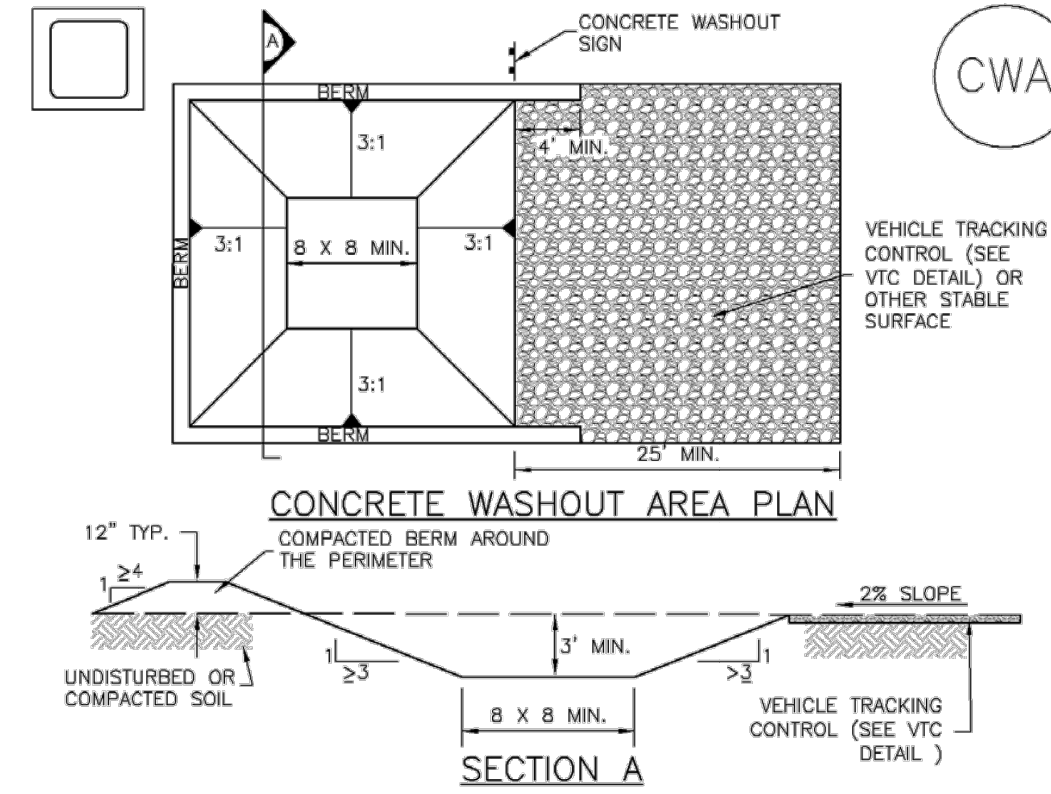
EC-2 Temporary and Permanent Seeding (TS/PS)

Table TS/PS-2. Minimum Drill Seeding Rates for Perennial Grasses

| Common Name | Botanical Name | Growth Season ^a | Growth Form | Seeds/ Pound | Pounds of PLS/acre |
|---|--|----------------------------|-------------|--------------|--------------------|
| Alkali Soil Seed Mix | | | | | |
| Alkali sacaton | <i>Sporobolus airoides</i> | Cool | Bunch | 1,750,000 | 0.25 |
| Basin wildrye | <i>Elymus cinereus</i> | Cool | Bunch | 165,000 | 2.5 |
| Sodar streambank wheatgrass | <i>Agropyron riparium 'Sodar'</i> | Cool | Sod | 170,000 | 2.5 |
| Jose tall wheatgrass | <i>Agropyron elongatum 'Jose'</i> | Cool | Bunch | 79,000 | 7.0 |
| Arriba western wheatgrass | <i>Agropyron smithii 'Arriba'</i> | Cool | Sod | 110,000 | 5.5 |
| Total | | | | | 17.75 |
| Fertile Loamy Soil Seed Mix | | | | | |
| Ephraim crested wheatgrass | <i>Agropyron cristatum 'Ephraim'</i> | Cool | Sod | 175,000 | 2.0 |
| Dural hard fescue | <i>Festuca ovina 'duriuscula'</i> | Cool | Bunch | 565,000 | 1.0 |
| Lincoln smooth brome | <i>Bromus inermis leysii 'Lincoln'</i> | Cool | Sod | 130,000 | 3.0 |
| Sodar streambank wheatgrass | <i>Agropyron riparium 'Sodar'</i> | Cool | Sod | 170,000 | 2.5 |
| Arriba western wheatgrass | <i>Agropyron smithii 'Arriba'</i> | Cool | Sod | 110,000 | 7.0 |
| Total | | | | | 15.5 |
| High Water Table Soil Seed Mix | | | | | |
| Meadow foxtail | <i>Alopecurus pratensis</i> | Cool | Sod | 900,000 | 0.5 |
| Redtop | <i>Agrostis alba</i> | Warm | Open sod | 5,000,000 | 0.25 |
| Reed canarygrass | <i>Phalaris arundinacea</i> | Cool | Sod | 68,000 | 0.5 |
| Lincoln smooth brome | <i>Bromus inermis leysii 'Lincoln'</i> | Cool | Sod | 130,000 | 3.0 |
| Pathfinder switchgrass | <i>Panicum virgatum 'Pathfinder'</i> | Warm | Sod | 389,000 | 1.0 |
| Alkar tall wheatgrass | <i>Agropyron elongatum 'Alkar'</i> | Cool | Bunch | 79,000 | 5.5 |
| Total | | | | | 10.75 |
| Transition Turf Seed Mix^c | | | | | |
| Ruebens Canadian bluegrass | <i>Poa compressa 'Ruebens'</i> | Cool | Sod | 2,500,000 | 0.5 |
| Dural hard fescue | <i>Festuca ovina 'duriuscula'</i> | Cool | Bunch | 565,000 | 1.0 |
| Citation perennial ryegrass | <i>Lolium perenne 'Citation'</i> | Cool | Sod | 247,000 | 3.0 |
| Lincoln smooth brome | <i>Bromus inermis leysii 'Lincoln'</i> | Cool | Sod | 130,000 | 3.0 |
| Total | | | | | 7.5 |

TS/PS-4 Urban Drainage and Flood Control District Urban Storm Drainage Criteria Manual Volume 3 June 2012

Concrete Washout Area (CWA) MM-1



CWA-1. CONCRETE WASHOUT AREA

CWA INSTALLATION NOTES

1. SEE PLAN VIEW FOR: -CWA INSTALLATION LOCATION.
2. DO NOT LOCATE AN UNLINED CWA WITHIN 400' OF ANY NATURAL DRAINAGE PATHWAY OR WATERBODY. DO NOT LOCATE WITHIN 1,000' OF ANY WELLS OR DRINKING WATER SOURCES. IF SITE CONSTRAINTS MAKE THIS INFEASIBLE, OR IF HIGHLY PERMEABLE SOILS EXIST ON SITE, THE CWA MUST BE INSTALLED WITH AN IMPERMEABLE LINER (16 MIL MIN. THICKNESS) OR SURFACE STORAGE ALTERNATIVES USING PREFABRICATED CONCRETE WASHOUT DEVICES OR A LINED ABOVE GROUND STORAGE ARE SHOULD BE USED.
3. THE CWA SHALL BE INSTALLED PRIOR TO CONCRETE PLACEMENT ON SITE.
4. CWA SHALL INCLUDE A FLAT SUBSURFACE PIT THAT IS AT LEAST 8" BY 8" SLOPES LEADING OUT OF THE SUBSURFACE PIT SHALL BE 3:1 OR FLATTER. THE PIT SHALL BE AT LEAST 3' DEEP.
5. BERM SURROUNDING SIDES AND BACK OF THE CWA SHALL HAVE MINIMUM HEIGHT OF 1'.
6. VEHICLE TRACKING PAD SHALL BE SLOPED 2% TOWARDS THE CWA.
7. SIGNS SHALL BE PLACED AT THE CONSTRUCTION ENTRANCE, AT THE CWA, AND ELSEWHERE AS NECESSARY TO CLEARLY INDICATE THE LOCATION OF THE CWA TO OPERATORS OF CONCRETE TRUCKS AND PUMP RIGS.
8. USE EXCAVATED MATERIAL FOR PERIMETER BERM CONSTRUCTION.

November 2010 Urban Drainage and Flood Control District Urban Storm Drainage Criteria Manual Volume 3 CWA-3

Temporary and Permanent Seeding (TS/PS) EC-2

Table TS/PS-2. Minimum Drill Seeding Rates for Perennial Grasses (cont.)

| Common Name | Botanical Name | Growth Season ^a | Growth Form | Seeds/ Pound | Pounds of PLS/acre |
|--|---|----------------------------|------------------------|--------------|--------------------|
| Sandy Soil Seed Mix | | | | | |
| Blue grama | <i>Bouteloua gracilis</i> | Warm | Sod-forming bunchgrass | 825,000 | 0.5 |
| Camper little bluestem | <i>Schizachyrium scoparium 'Camper'</i> | Warm | Bunch | 240,000 | 1.0 |
| Prairie sandreed | <i>Calamovilfa longifolia</i> | Warm | Open sod | 274,000 | 1.0 |
| Sand dropseed | <i>Sporobolus cryptandrus</i> | Cool | Bunch | 5,298,000 | 0.25 |
| Vaughn sidecoats grama | <i>Bouteloua curtipendula 'Vaughn'</i> | Warm | Sod | 191,000 | 2.0 |
| Arriba western wheatgrass | <i>Agropyron smithii 'Arriba'</i> | Cool | Sod | 110,000 | 5.5 |
| Total | | | | | 10.25 |
| Heavy Clay, Rocky Foothill Seed Mix | | | | | |
| Ephraim crested wheatgrass ^b | <i>Agropyron cristatum 'Ephraim'</i> | Cool | Sod | 175,000 | 1.5 |
| Oahe Intermediate wheatgrass | <i>Agropyron intermedium 'Oahe'</i> | Cool | Sod | 115,000 | 5.5 |
| Vaughn sidecoats grama ^c | <i>Bouteloua curtipendula 'Vaughn'</i> | Warm | Sod | 191,000 | 2.0 |
| Lincoln smooth brome | <i>Bromus inermis leysii 'Lincoln'</i> | Cool | Sod | 130,000 | 3.0 |
| Arriba western wheatgrass | <i>Agropyron smithii 'Arriba'</i> | Cool | Sod | 110,000 | 5.5 |
| Total | | | | | 17.5 |

^a All of the above seeding mixes and rates are based on drill seeding followed by crimped straw mulch. These rates should be doubled if seed is broadcast and should be increased by 50 percent if the seeding is done using a Brillion Drill or is applied through hydraulic seeding. Hydraulic seeding may be substituted for drilling only where slopes are steeper than 3:1. If hydraulic seeding is used, hydraulic mulching should be done as a separate operation.

^b See Table TS/PS-3 for seeding dates.

^c If site is to be irrigated, the transition turf seed rates should be doubled.

^d Crested wheatgrass should not be used on slopes steeper than 6H to 1V.

^e Can substitute 0.5 lbs PLS of blue grama for the 2.0 lbs PLS of Vaughn sidecoats grama.

June 2012 Urban Drainage and Flood Control District Urban Storm Drainage Criteria Manual Volume 3 TS/PS-5

Concrete Washout Area (CWA) MM-1

CWA MAINTENANCE NOTES

1. INSPECT BMPs EACH WORKDAY, AND MAINTAIN THEM IN EFFECTIVE OPERATING CONDITION. MAINTENANCE OF BMPs SHOULD BE PROACTIVE, NOT REACTIVE. INSPECT BMPs AS SOON AS POSSIBLE (AND ALWAYS WITHIN 24 HOURS) FOLLOWING A STORM THAT CAUSES SURFACE EROSION, AND PERFORM NECESSARY MAINTENANCE.
2. FREQUENT OBSERVATIONS AND MAINTENANCE ARE NECESSARY TO MAINTAIN BMPs IN EFFECTIVE OPERATING CONDITION. INSPECTIONS AND CORRECTIVE MEASURES SHOULD BE DOCUMENTED THOROUGHLY.
3. WHERE BMPs HAVE FAILED, REPAIR OR REPLACEMENT SHOULD BE INITIATED UPON DISCOVERY OF THE FAILURE.
4. THE CWA SHALL BE REPAIRED, CLEANED, OR ENLARGED AS NECESSARY TO MAINTAIN CAPACITY FOR CONCRETE WASTE. CONCRETE MATERIALS, ACCUMULATED IN PIT, SHALL BE REMOVED ONCE THE MATERIALS HAVE REACHED A DEPTH OF 2'.
5. CONCRETE WASHOUT WATER, WASTED PIECES OF CONCRETE AND ALL OTHER DEBRIS IN THE SUBSURFACE PIT SHALL BE TRANSPORTED FROM THE JOB SITE IN A WATER-TIGHT CONTAINER AND DISPOSED OF PROPERLY.
6. THE CWA SHALL REMAIN IN PLACE UNTIL ALL CONCRETE FOR THE PROJECT IS PLACED.
7. WHEN THE CWA IS REMOVED, COVER THE DISTURBED AREA WITH TOP SOIL, SEED AND MULCH OR OTHERWISE STABILIZED IN A MANNER APPROVED BY THE LOCAL JURISDICTION.

NOTE: MANY JURISDICTIONS HAVE BMP DETAILS THAT VARY FROM UDFCD STANDARD DETAILS. CONSULT WITH LOCAL JURISDICTIONS AS TO WHICH DETAIL SHOULD BE USED WHEN DIFFERENCES ARE NOTED.

(DETAIL ADAPTED FROM DOUGLAS COUNTY, COLORADO AND THE CITY OF PARKER, COLORADO, NOT AVAILABLE IN AUTOCAD)

CWA-4 Urban Drainage and Flood Control District Urban Storm Drainage Criteria Manual Volume 3 November 2010

Temporary and Permanent Seeding (TS/PS) EC-2

Table TS/PS-3. Seeding Dates for Annual and Perennial Grasses

| Seeding Dates | Annual Grasses (Numbers in table reference species in Table TS/PS-1) | | Perennial Grasses | |
|--------------------------|--|-----------|-------------------|------|
| | Warm | Cool | Warm | Cool |
| January 1-March 15 | | | ✓ | ✓ |
| March 16-April 30 | 4 | 1,2,3 | ✓ | ✓ |
| May 1-May 15 | 4 | | ✓ | |
| May 16-June 30 | 4,5,6,7 | | | |
| July 1-July 15 | 5,6,7 | | | |
| July 16-August 31 | | | | |
| September 1-September 30 | | 8,9,10,11 | | |
| October 1-December 31 | | | ✓ | ✓ |

Mulch

Cover seeded areas with mulch or an appropriate rolled erosion control product to promote establishment of vegetation. Anchor mulch by crimping, netting or use of a non-toxic tackifier. See the Mulching BMP Fact Sheet for additional guidance.

Maintenance and Removal

Monitor and observe seeded areas to identify areas of poor growth or areas that fail to germinate. Reseed and mulch these areas, as needed.

An area that has been permanently seeded should have a good stand of vegetation within one growing season if irrigated and within three growing seasons without irrigation in Colorado. Reseed portions of the site that fail to germinate or remain bare after the first growing season.

Seeded areas may require irrigation, particularly during extended dry periods. Targeted weed control may also be necessary.

Protect seeded areas from construction equipment and vehicle access.

TS/PS-6 Urban Drainage and Flood Control District Urban Storm Drainage Criteria Manual Volume 3 June 2012

UNTIL SUCH TIME AS THESE DRAWINGS ARE APPROVED BY THE APPROPRIATE REVIEWING AGENCIES, OR ENGINEERING APPROVES THEIR USE, THESE DRAWINGS ARE DESIGNATED BY WRITTEN AUTHORIZATION.

PREPARED FOR CLASSIC SRU LAND, LLC 2138 FLYING HORSE CLUB DRIVE COLORADO SPRINGS, CO 80921 ATTN: LOREN MORELAND (719) 785-3270

J.R. ENGINEERING A Westman Company Central 303-740-9888 • Colorado Springs 719-583-2583 Fort Collins 970-491-9888 • www.jrengineering.com

BY DATE

No. REVISION

H-SCALE V-SCALE DATE DESIGNED BY DRAWN BY CHECKED BY

STERLING RANCH FILING NO. 5 DETAILS SHEET 5 OF 8 JOB NO. 25188.16



ENGINEER'S STATEMENT
 PREPARED UNDER MY DIRECT SUPERVISION AND ON BEHALF OF JR ENGINEERING

 BRYAN T. LAW, P.E.
 COLORADO P.E. 25043
 FOR AND ON BEHALF OF JR ENGINEERING
 DATE 4/26/24

