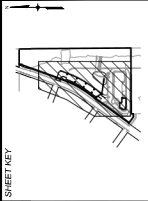


BMP LEGEND

CAWA	CONCRETE WASHOUT AREA
DD	DIVERSION DITCH
EBCB	EROSION CONTROL BLANKET
SL	SEDIMENT CONTROL LOG
SM	SEEDING AND MULCHING
SF	SILT FENCE
SSA	STABILIZED STAGING AREA
SR	SURFACE ROUGHING
VTC	VEHICLE TRACKING CONTROL
RS	ROCK SOCK
CP	CONSTRUCTION FENCE
LOC	LIMITS OF CONSTRUCTION
	EXISTING 9' CONTOURS
	PROPOSED 9' CONTOURS
	PROPOSED 5' CONTOURS

- NOTES:**
- SUGGESTED VTC LOCATIONS ARE SHOWN ON THE PLAN. THE EXACT LOCATIONS MAY VARY DUE TO PHASING, BUT MUST BE PROVIDED AT ALL POINTS OF ACCESS.
 - SUGGESTED STOCKPILE LOCATIONS ARE SHOWN ON PLAN. EXACT LOCATIONS MAY VARY WITHIN THE PROJECT LIMITS. SEE THE STOCKPILE MANAGEMENT DETAIL FOR ADDITIONAL INFORMATION.
 - SUGGESTED CONCRETE WASHOUT AND STABILIZED STAGING AREAS ARE SHOWN ON PLAN. EXACT LOCATIONS MAY VARY WITHIN THE PROJECT LIMITS. SEE THE CONCRETE WASHOUT AND STABILIZED STAGING AREA DETAIL FOR ADDITIONAL INFORMATION.
 - INLET PROTECTION, CURB SOCKS, AND PERIMETER CONTROL TO BE INSTALLED PRIOR TO DEMOLITION. SILT FENCE MAY BE USED AS PERIMETER CONTROL IN LANDSCAPED AREAS. ROCK SOCKS AND CONSTRUCTION FENCING SHOULD BE USED AS PERIMETER CONTROL ON IMPERVIOUS SURFACES.
 - THE PARTIES RESPONSIBLE FOR THIS PLAN HAVE FAMILIARIZED THEMSELVES WITH ALL CURRENT ACCESSIBILITY CRITERIA AND SPECIFICATIONS AND THE PROPOSED PLAN REFLECTS ALL SITE ELEMENTS REQUIRED BY THE APPLICABLE AMERICAN WITH DISABILITIES ACT AND THE AMERICAN WITH DISABILITIES ACT STATES DEPARTMENT OF JUSTICE. APPROVAL OF THIS PLAN BY EL PASO COUNTY DOES NOT ASSURE COMPLIANCE WITH THE ADA OR ANY REGULATIONS OR GUIDELINES ENACTED OR PROMULGATED UNDER OR WITH RESPECT TO SUCH LAWS.

Add PCD File #



REFERENCE DRAWINGS

NO.	DATE	DESCRIPTION	BY
REVISIONS			
COMPUTER FILE MANAGEMENT			
FILE NAME: R:203856302_Liberty Tree Academy - Additional Svcs\Drawings\CDs\ECOL_Phd2.dwg			
PLOT DATE: 4/10/2007 12:48 PM			
PLOT BY: JMM			
THIS DRAWING IS CONSIDERED AS PLOT DATE AND MAY BE SUBJECT TO CHANGE.			

LIBERTY TREE ACADEMY - PHASE 2
TOWN OF PEYTON, EL PASO COUNTY
CONSTRUCTION DOCUMENTS, PCD FILE NO. PPRR-20-XXX

INITIAL EROSION CONTROL PLAN

DESIGNED BY: JMM
CHECKED BY: JMM
DATE ISSUED: APRIL 2007
SCALE: 1" = 30'

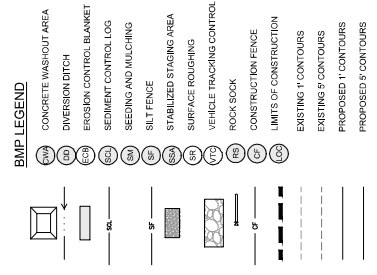
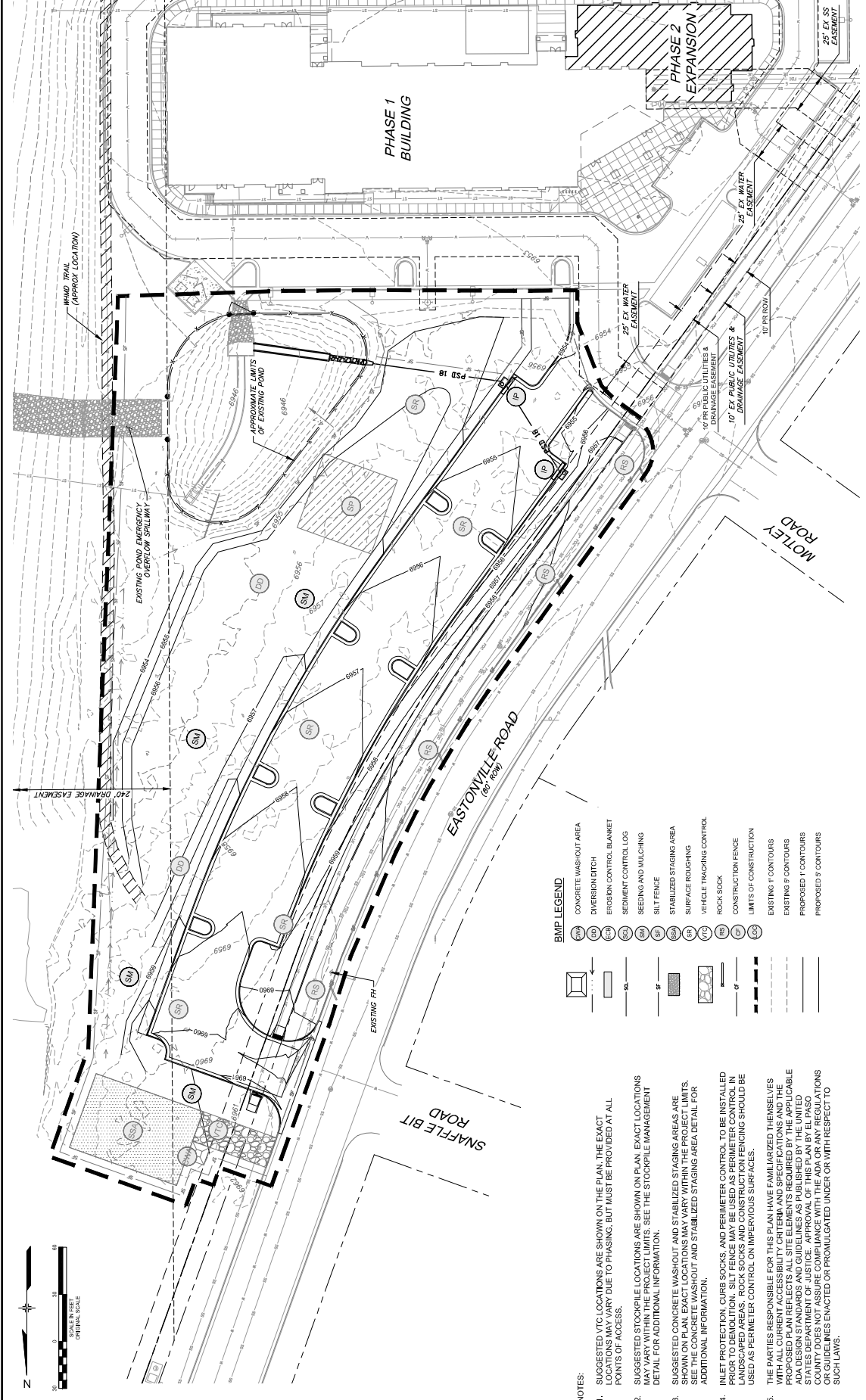
PROJECT NO.: 203856302
SHEET NO.: 10 OF 19
DRAWING NO.: ECOL

PREPARED FOR:
LIBERTY TREE ACADEMY

PREPARED BY:
Matrix
Excellence by Design

PRELIMINARY DESIGN HAS NOT BEEN APPROVED BY GOVERNING AGENCIES AND IS SUBJECT TO CHANGE.

FOR MORE INFORMATION CONTACT:
MATRIX DESIGN GROUP, P.A.C.
PROJECT NO. 203856302



- NOTES:**
- SUGGESTED VTC LOCATIONS ARE SHOWN ON THE PLAN. THE EXACT LOCATIONS MAY VARY DUE TO PHASING, BUT MUST BE PROVIDED AT ALL POINTS OF ACCESS.
 - SUGGESTED STOCKPILE LOCATIONS ARE SHOWN ON PLAN. EXACT LOCATIONS MAY VARY WITHIN THE PROJECT LIMITS. SEE THE STOCKPILE MANAGEMENT DETAIL FOR ADDITIONAL INFORMATION.
 - SUGGESTED CONCRETE WASHOUT AND STABILIZED STAGING AREAS ARE SHOWN ON PLAN. EXACT LOCATIONS MAY VARY WITHIN THE PROJECT LIMITS. SEE THE CONCRETE WASHOUT AND STABILIZED STAGING AREA DETAIL FOR ADDITIONAL INFORMATION.
 - INLET PROTECTION, CURB SOCKS, AND PERIMETER CONTROL TO BE INSTALLED PRIOR TO DEMOLITION. SILT FENCE MAY BE USED AS PERIMETER CONTROL IN LANDSCAPED AREAS. ROCK SOCKS AND CONSTRUCTION FENCING SHOULD BE USED AS PERIMETER CONTROL ON IMPERVIOUS SURFACES.
 - THE PARTIES RESPONSIBLE FOR THIS PLAN HAVE FAMILIARIZED THEMSELVES WITH ALL CURRENT ACCESSIBILITY CRITERIA AND SPECIFICATIONS AND THE PROPOSED PLAN REFLECTS ALL SITE ELEMENTS REQUIRED BY THE APPLICABLE CURRENT AND APPLICABLE PREVIOUS EDITIONS OF THE AMERICAN WITH DISABILITIES ACT AND THE FEDERAL ARCHITECTURE AND BAROCH ACT. THE STATE OF TEXAS DEPARTMENT OF JUSTICE APPROVAL OF THIS PLAN BY EL PASO COUNTY DOES NOT ASSURE COMPLIANCE WITH THE ADA OR ANY REGULATIONS OR GUIDELINES ENACTED OR PROMULGATED UNDER OR WITH RESPECT TO SUCH LAWS.

LIBERTY TREE ACADEMY - PHASE 2
TOWN OF PEYTON, EL PASO COUNTY
CONSTRUCTION DOCUMENTS, PCD FILE NO. PPR-20-XXX

FINAL EROSION CONTROL PLAN

PRELIMINARY DESIGN HAS BEEN APPROVED BY GOVERNING AGENCIES AND IS SUBJECT TO CHANGE

DESIGNED BY: JCS
DRAWN BY: JCS
CHECKED BY: JCS

DATE ISSUED: APRIL 2007
SCALE: 1" = 30'
SHEET NO. 11 OF 18

PROJECT NO. 20-995-002

LIBERTY TREE ACADEMY
LIBERTY TREE ACADEMY
MATRIX
Excellence by Design

COMPUTER FILE MANAGEMENT
FILE NAME: R:20-995-002 Liberty Tree Academy Additional Svcs\Draw\Sheet\CD\EC02_Phd.dwg
PLOT DATE: 4/10/2007 12:52 PM
THIS DRAWING IS OWNED BY PFC DATE AND MAY BE SUBJECT TO CHANGE.

NO.	DATE	DESCRIPTION	BY
REVISIONS			



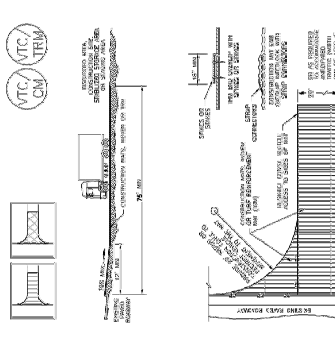
SM-4 Vehicle Tracking Control (VTC)

REMARKS: CONSTRUCTION METHODOLOGICAL APPROXIMATIONS

1. THE LOCATION OF TRACKING CONTROL DEVICES SHALL BE DETERMINED BY THE CONTRACTOR IN CONJUNCTION WITH THE DESIGNER.
2. TRACKING CONTROL DEVICES SHALL BE INSTALLED AT THE POINTS OF ENTRY AND EXIT TO THE CONSTRUCTION SITE.
3. TRACKING CONTROL DEVICES SHALL BE INSTALLED AT THE POINTS OF ENTRY AND EXIT TO THE CONSTRUCTION SITE.
4. TRACKING CONTROL DEVICES SHALL BE INSTALLED AT THE POINTS OF ENTRY AND EXIT TO THE CONSTRUCTION SITE.
5. TRACKING CONTROL DEVICES SHALL BE INSTALLED AT THE POINTS OF ENTRY AND EXIT TO THE CONSTRUCTION SITE.
6. TRACKING CONTROL DEVICES SHALL BE INSTALLED AT THE POINTS OF ENTRY AND EXIT TO THE CONSTRUCTION SITE.
7. TRACKING CONTROL DEVICES SHALL BE INSTALLED AT THE POINTS OF ENTRY AND EXIT TO THE CONSTRUCTION SITE.
8. TRACKING CONTROL DEVICES SHALL BE INSTALLED AT THE POINTS OF ENTRY AND EXIT TO THE CONSTRUCTION SITE.
9. TRACKING CONTROL DEVICES SHALL BE INSTALLED AT THE POINTS OF ENTRY AND EXIT TO THE CONSTRUCTION SITE.
10. TRACKING CONTROL DEVICES SHALL BE INSTALLED AT THE POINTS OF ENTRY AND EXIT TO THE CONSTRUCTION SITE.

November 2010
Utah Department of Transportation
Utah Street Drainage Channel Manual Volume 3

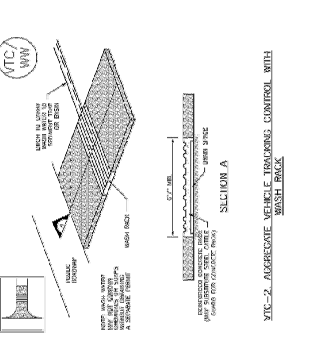
SM-4 Vehicle Tracking Control (VTC)



VTC-3. VEHICLE TRACKING CONTROL W/ CONSTRUCTION MAT OR TURF REINFORCEMENT MAT (TRM)

November 2010
Utah Department of Transportation
Utah Street Drainage Channel Manual Volume 3

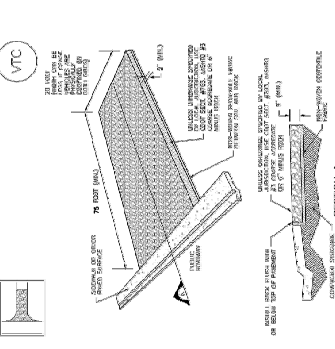
SM-4 Vehicle Tracking Control (VTC)



VTC-2. ALTERNATE VEHICLE TRACKING CONTROL WITH BENT CURB

November 2010
Utah Department of Transportation
Utah Street Drainage Channel Manual Volume 3

SM-4 Vehicle Tracking Control (VTC)



VTC-1. APPROXIMATE WHEEL TRACKING CONTROL

November 2010
Utah Department of Transportation
Utah Street Drainage Channel Manual Volume 3

EC-4 Matching (M/D)



Description
Matching consists of evenly spreading the material to be used for the matching area. The material should be spread evenly and compacted to the same density as the existing material. The material should be spread in a uniform layer and compacted to the same density as the existing material. The material should be spread in a uniform layer and compacted to the same density as the existing material.

Appropriate Uses
This method is used to match the existing material to the new material. It is used to match the existing material to the new material. It is used to match the existing material to the new material.

MARK	DATE	BY
Checked		
Reviewed		
Approved		

November 2010
Utah Department of Transportation
Utah Street Drainage Channel Manual Volume 3

EC-10 Earth Dikes and Drainage Swales (ED/DS)

REMARKS: CONSTRUCTION METHODOLOGICAL APPROXIMATIONS

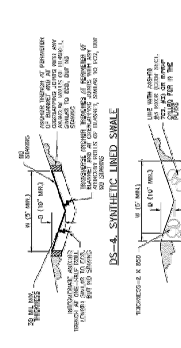
1. THE LOCATION OF TRACKING CONTROL DEVICES SHALL BE DETERMINED BY THE CONTRACTOR IN CONJUNCTION WITH THE DESIGNER.
2. TRACKING CONTROL DEVICES SHALL BE INSTALLED AT THE POINTS OF ENTRY AND EXIT TO THE CONSTRUCTION SITE.
3. TRACKING CONTROL DEVICES SHALL BE INSTALLED AT THE POINTS OF ENTRY AND EXIT TO THE CONSTRUCTION SITE.
4. TRACKING CONTROL DEVICES SHALL BE INSTALLED AT THE POINTS OF ENTRY AND EXIT TO THE CONSTRUCTION SITE.
5. TRACKING CONTROL DEVICES SHALL BE INSTALLED AT THE POINTS OF ENTRY AND EXIT TO THE CONSTRUCTION SITE.
6. TRACKING CONTROL DEVICES SHALL BE INSTALLED AT THE POINTS OF ENTRY AND EXIT TO THE CONSTRUCTION SITE.
7. TRACKING CONTROL DEVICES SHALL BE INSTALLED AT THE POINTS OF ENTRY AND EXIT TO THE CONSTRUCTION SITE.
8. TRACKING CONTROL DEVICES SHALL BE INSTALLED AT THE POINTS OF ENTRY AND EXIT TO THE CONSTRUCTION SITE.
9. TRACKING CONTROL DEVICES SHALL BE INSTALLED AT THE POINTS OF ENTRY AND EXIT TO THE CONSTRUCTION SITE.
10. TRACKING CONTROL DEVICES SHALL BE INSTALLED AT THE POINTS OF ENTRY AND EXIT TO THE CONSTRUCTION SITE.

Appropriate Uses
This method is used to match the existing material to the new material. It is used to match the existing material to the new material. It is used to match the existing material to the new material.

MARK	DATE	BY
Checked		
Reviewed		
Approved		

November 2010
Utah Department of Transportation
Utah Street Drainage Channel Manual Volume 3

EC-10 Earth Dikes and Drainage Swales (ED/DS)

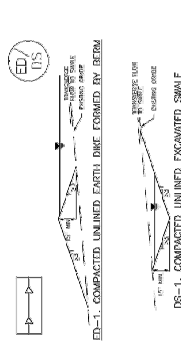


DS-4. SYNTHETIC LINED SWALE

DS-3. RIPRAP LINED SWALE

November 2010
Utah Department of Transportation
Utah Street Drainage Channel Manual Volume 3

EC-10 Earth Dikes and Drainage Swales (ED/DS)



DS-1. COMPACTED UNLINED SWALE FORMED BY RETAIN

DS-2. COMPACTED UNLINED SWALE FORMED BY CUT AND FILL

DS-3. ECO LINED SWALE (CUT AND FILL OR DRAIN)

LIBERTY TREE ACADEMY - PHASE 2
TOWN OF PEYTON, EL PASO COUNTY
CONSTRUCTION DOCUMENTS, PCD FILE NO. PPR-20-XXX

EROSION CONTROL DETAILS

DESIGNED BY: [Name]
CHECKED BY: [Name]
DATE ISSUED: [Date]
SCALE: [Scale]
SHEET NO.: [Number]

PRELIMINARY
THIS DRAWING HAS BEEN APPROVED BY THE DESIGNER AND THE CONTRACTOR AND IS SUBJECT TO CHANGE.

LIBERTY TREE ACADEMY
Matrix
Excellence by Design

REVISIONS

NO.	DATE	DESCRIPTION

COMPUTER FILE MANAGEMENT

FILE NAME: R-20-855-002 Liberty Tree Academy Additional Swale/Sheet/CD/ECOT PHZ.dwg
PLOT DATE: 4/10/2020 12:58 PM
THIS DRAWING IS CONSIDERED AS PLOT DATE AND MAY BE SUBJECT TO CHANGE.

REFERENCE DRAWINGS

UTAH DEPARTMENT OF TRANSPORTATION
UTAH STREET DRAINAGE CHANNEL MANUAL VOLUME 3

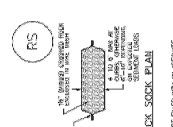
EC-4

Melting (MU)

- Check foundation and slab conditions. If conditions are not satisfactory, repair or reconstruct the foundation and slab as a minimum 6" thick concrete slab on grade.
- Use a concrete pump to place concrete in areas where it is not possible to place concrete from the ground.
- Use a concrete pump to place concrete in areas where it is not possible to place concrete from the ground.
- Use a concrete pump to place concrete in areas where it is not possible to place concrete from the ground.

SC-5

Rock Sock (RS)



ROCK SOCK SECTION

ROCK SOCK PLAN

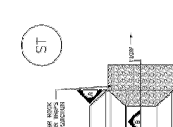
SC-5

Rock Sock (RS)

- Check foundation and slab conditions. If conditions are not satisfactory, repair or reconstruct the foundation and slab as a minimum 6" thick concrete slab on grade.
- Use a concrete pump to place concrete in areas where it is not possible to place concrete from the ground.

SC-8

Sediment Trap (ST)

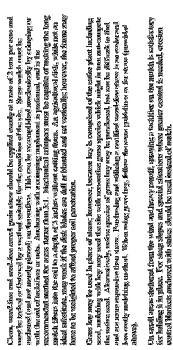


SEDIMENT TRAP PLAN

SECTION A

SC-7

Sediment Basin (SB)



SEDIMENT BASIN PLAN

SECTION A

SC-7

Sediment Basin (SB)

Check foundation and slab conditions. If conditions are not satisfactory, repair or reconstruct the foundation and slab as a minimum 6" thick concrete slab on grade.

SC-7

Sediment Basin (SB)

Check foundation and slab conditions. If conditions are not satisfactory, repair or reconstruct the foundation and slab as a minimum 6" thick concrete slab on grade.

SC-8

Sediment Trap (ST)

Check foundation and slab conditions. If conditions are not satisfactory, repair or reconstruct the foundation and slab as a minimum 6" thick concrete slab on grade.

November 2018

Udon Baermyer and Frank Conzel (Udon)
Udon Baermyer/Conzel/Manuel/Williams

November 2018

Udon Baermyer and Frank Conzel (Udon)
Udon Baermyer/Conzel/Manuel/Williams

November 2018

Udon Baermyer and Frank Conzel (Udon)
Udon Baermyer/Conzel/Manuel/Williams

November 2018

Udon Baermyer and Frank Conzel (Udon)
Udon Baermyer/Conzel/Manuel/Williams

August 2015

Udon Baermyer and Frank Conzel (Udon)
Udon Baermyer/Conzel/Manuel/Williams

August 2015

Udon Baermyer and Frank Conzel (Udon)
Udon Baermyer/Conzel/Manuel/Williams

August 2015

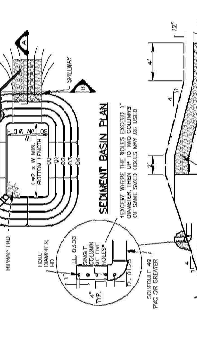
Udon Baermyer and Frank Conzel (Udon)
Udon Baermyer/Conzel/Manuel/Williams

August 2015

Udon Baermyer and Frank Conzel (Udon)
Udon Baermyer/Conzel/Manuel/Williams

SC-7

Sediment Basin (SB)



SEDIMENT BASIN PLAN

SECTION A

SC-7

Sediment Basin (SB)

TABLE 5B.1. DESIGN REQUIREMENTS FOR SEDIMENTATION BASINS

Design Parameter	Minimum Value	Maximum Value
Basin Area (sq ft)	400	
Basin Length (ft)	10	100
Basin Width (ft)	4	10
Basin Depth (ft)	2	4

SC-7

Sediment Basin (SB)

Check foundation and slab conditions. If conditions are not satisfactory, repair or reconstruct the foundation and slab as a minimum 6" thick concrete slab on grade.

SC-8

Sediment Trap (ST)

Check foundation and slab conditions. If conditions are not satisfactory, repair or reconstruct the foundation and slab as a minimum 6" thick concrete slab on grade.



Know what's below.
Call before you dig.

NO.	DATE	DESCRIPTION
REVISIONS		

NO.	DATE	DESCRIPTION
REVISIONS		

COMPUTER FILE MANAGEMENT

FILE NAME: R201805102 Liberty Tree Academy Additional Site/Design/Sheet/CON/ECOT_PHZ.dwg
PLOT DATE: 4/10/2020 12:57 PM
THIS DRAWING IS AN AUTOMATICALLY GENERATED FILE AND MUST BE SUBJECT TO CHANGE.

REFERENCE DRAWINGS	Udon Baermyer and Frank Conzel (Udon)		Udon Baermyer/Conzel/Manuel/Williams
DATE ISSUED	NO.	NO.	NO.
NO.	NO.	NO.	NO.

LIBERTY TREE ACADEMY - PHASE 2
TOWN OF PEYTON, EL PASO COUNTY
CONSTRUCTION DOCUMENTS, PCD FILE NO. PPR-20-XXX

EROSION CONTROL DETAILS

PRELIMINARY DESIGN
THESE DOCUMENTS HAVE BEEN APPROVED BY THE LOCAL GOVERNING AGENCIES AND ARE SUBJECT TO CHANGE.

DESIGNED BY: JCS
CHECKED BY: JCS
SCALE: AS SHOWN

PROJECT NO. 201805102

Udon Baermyer and Frank Conzel (Udon)
Udon Baermyer/Conzel/Manuel/Williams

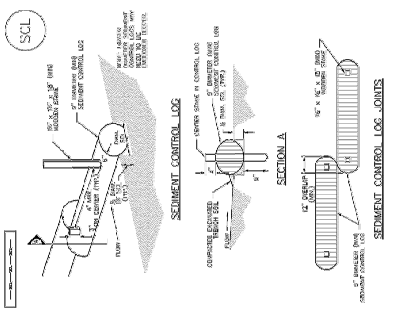
APRIL 2020
13 OF 19
EOD102

LIBERTY TREE ACADEMY

Matrix
Excellence by Design



SC-2 Sediment Control Log (SCL)



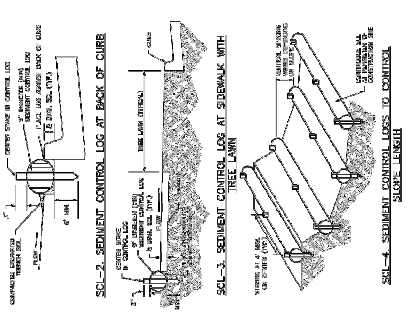
November 2010 Mike DeBorja and Frank Cline (SCL) Urban Storm Drainage Control Manual Volume 3

MM-1 Concrete Washout Area (CWA)

FOR INFORMATIONAL PURPOSES ONLY. THIS DRAWING IS NOT TO BE USED FOR CONSTRUCTION. THE USER SHALL BE RESPONSIBLE FOR OBTAINING ALL NECESSARY PERMITS AND APPROVALS FROM THE APPROPRIATE AGENCIES AND AUTHORITIES. THE USER SHALL BE RESPONSIBLE FOR OBTAINING ALL NECESSARY PERMITS AND APPROVALS FROM THE APPROPRIATE AGENCIES AND AUTHORITIES. THE USER SHALL BE RESPONSIBLE FOR OBTAINING ALL NECESSARY PERMITS AND APPROVALS FROM THE APPROPRIATE AGENCIES AND AUTHORITIES.

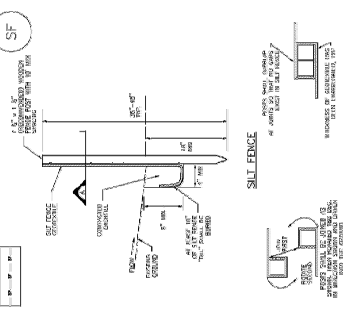
November 2010 Mike DeBorja and Frank Cline (CWA) Urban Storm Drainage Control Manual Volume 3

SC-2 Sediment Control Log (SCL)



November 2010 Mike DeBorja and Frank Cline (SCL) Urban Storm Drainage Control Manual Volume 3

Silt Fence (SF)



November 2010 Mike DeBorja and Frank Cline (Silt Fence) Urban Storm Drainage Control Manual Volume 3

SC-1 Sediment Control Log (SCL)

FOR INFORMATIONAL PURPOSES ONLY. THIS DRAWING IS NOT TO BE USED FOR CONSTRUCTION. THE USER SHALL BE RESPONSIBLE FOR OBTAINING ALL NECESSARY PERMITS AND APPROVALS FROM THE APPROPRIATE AGENCIES AND AUTHORITIES. THE USER SHALL BE RESPONSIBLE FOR OBTAINING ALL NECESSARY PERMITS AND APPROVALS FROM THE APPROPRIATE AGENCIES AND AUTHORITIES.

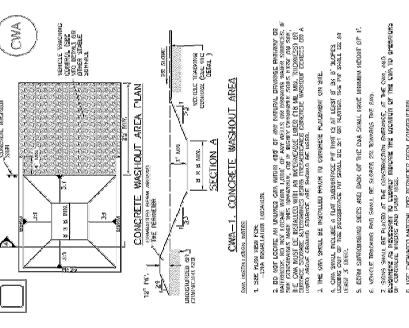
November 2010 Mike DeBorja and Frank Cline (SCL) Urban Storm Drainage Control Manual Volume 3

Silt Fence (SF)

FOR INFORMATIONAL PURPOSES ONLY. THIS DRAWING IS NOT TO BE USED FOR CONSTRUCTION. THE USER SHALL BE RESPONSIBLE FOR OBTAINING ALL NECESSARY PERMITS AND APPROVALS FROM THE APPROPRIATE AGENCIES AND AUTHORITIES. THE USER SHALL BE RESPONSIBLE FOR OBTAINING ALL NECESSARY PERMITS AND APPROVALS FROM THE APPROPRIATE AGENCIES AND AUTHORITIES.

November 2010 Mike DeBorja and Frank Cline (Silt Fence) Urban Storm Drainage Control Manual Volume 3

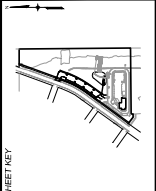
MM-1 Concrete Washout Area (CWA)



November 2010 Mike DeBorja and Frank Cline (CWA) Urban Storm Drainage Control Manual Volume 3

REFERENCE DRAWINGS: 1. 2. 3. 4. 5. 6. 7. 8. 9. 10. 11. 12. 13. 14. 15. 16. 17. 18. 19. 20. 21. 22. 23. 24. 25. 26. 27. 28. 29. 30. 31. 32. 33. 34. 35. 36. 37. 38. 39. 40. 41. 42. 43. 44. 45. 46. 47. 48. 49. 50. 51. 52. 53. 54. 55. 56. 57. 58. 59. 60. 61. 62. 63. 64. 65. 66. 67. 68. 69. 70. 71. 72. 73. 74. 75. 76. 77. 78. 79. 80. 81. 82. 83. 84. 85. 86. 87. 88. 89. 90. 91. 92. 93. 94. 95. 96. 97. 98. 99. 100.

COMPUTER FILE MANAGEMENT REVISIONS: No. DATE DESCRIPTION BY

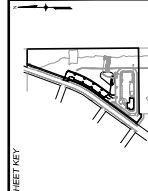


LIBERTY TREE ACADEMY - PHASE 2 TOWN OF PEYTON, EL PASO COUNTY CONSTRUCTION DOCUMENTS, PCD FILE NO. PPR-20-XXX PRELIMINARY THIS DRAWING HAS NOT BEEN APPROVED BY ANY GOVERNING AGENCIES AND IS SUBJECT TO CHANGE. Matrix by Design Excellence by Design

LIBERTY TREE ACADEMY - PHASE 2 TOWN OF PEYTON, EL PASO COUNTY CONSTRUCTION DOCUMENTS, PCD FILE NO. PPR-20-XXX EROSION CONTROL DETAILS. PROJECT No. 20-995-002. SHEET 11 OF 19. ECDT03

STANDARD NOTES FOR EL PASO COUNTY GRADING AND EROSION CONTROL PLANS:

- CONSTRUCTION MAY NOT COMMENCE UNTIL A CONSTRUCTION PERMIT IS OBTAINED FROM PLANNING AND COMMUNITY DEVELOPMENT (PCD) AND A PRECONSTRUCTION CONFERENCE IS HELD WITH PCD INSPECTIONS.
- STORMWATER DISCHARGES FROM CONSTRUCTION SITES SHALL NOT CAUSE OR THREATEN TO CAUSE POLLUTION, CONTAMINATION, OR DEGRADATION OF STATE WATERS, ALL WORK AND EARTH DISTURBANCE SHALL BE DONE IN A MANNER THAT MINIMIZES POLLUTION OF ANY ON-SITE OR OFF-SITE WATERS, INCLUDING WETLANDS.
- NOTWITHSTANDING ANYTHING DEPICTED IN THESE PLANS IN WORDS OR GRAPHIC REPRESENTATION, ALL DESIGN AND CONSTRUCTION RELATED TO ROADS, STORM DRAINAGE AND EROSION CONTROL SHALL CONFORM TO THE STANDARDS AND REQUIREMENTS OF THE MOST RECENT VERSION OF THE RELEVANT ADOPTED EL PASO COUNTY STANDARDS, INCLUDING THE LAND DEVELOPMENT CODE, THE EROSION CONTROL MANUAL, THE STORMWATER MANAGEMENT PLAN (SWMP), AND THE EROSION CONTROL MANUAL VOLUME 2. ANY DEVIATIONS FROM REGULATIONS AND STANDARDS MUST BE REQUESTED AND APPROVED, IN WRITING.
- A SEPARATE STORMWATER MANAGEMENT PLAN (SWMP) FOR THIS PROJECT SHALL BE COMPLETED AND AN EROSION AND STORMWATER QUALITY CONTROL PERMIT (ESQCP) ISSUED PRIOR TO COMMENCING CONSTRUCTION. DURING CONSTRUCTION THE SWMP IS THE RESPONSIBILITY OF THE DESIGNATED STORMWATER MANAGER, SHALL BE LOCATED ON SITE AT ALL TIMES AND SHALL BE KEPT UP TO DATE WITH WORK PROGRESS AND CHANGES IN THE FIELD.
- ONCE THE ESQCP HAS BEEN ISSUED, THE CONTRACTOR MAY INSTALL THE INITIAL STAGE EROSION AND SEDIMENT CONTROL BMPS AS INDICATED ON THE GEC. A PRECONSTRUCTION MEETING BETWEEN THE CONTRACTOR, ENGINEER, AND EL PASO COUNTY WILL BE HELD PRIOR TO ANY CONSTRUCTION. IT IS THE RESPONSIBILITY OF THE APPLICANT TO COORDINATE THE MEETING TIME AND PLACE WITH COUNTY PCD INSPECTIONS STAFF.
- SOIL EROSION CONTROL MEASURES FOR ALL SLOPES, CHANNELS, DITCHES, OR ANY DISTURBED LAND AREA SHALL BE COMPLETED WITHIN 21 CALENDAR DAYS AFTER FINAL GRADING, OR FINAL EARTH DISTURBANCE OPERATIONS, AND SHALL REMAIN IN PLACE UNTIL THE DISTURBED AREA IS RESTORED TO ORIGINAL GRADE BUT WILL REMAIN DORMANT FOR LONGER THAN 90 DAYS SHALL ALSO BE MULCHED WITHIN 21 DAYS AFTER INTERIM GRADING, AN AREA THAT IS GOING TO REMAIN IN AN INTERIM STATE FOR MORE THAN 90 DAYS SHALL ALSO BE SEEDED. ALL TEMPORARY SOIL EROSION CONTROL MEASURES AND BMPs SHALL BE MAINTAINED UNTIL PERMANENT SOIL EROSION CONTROL MEASURES ARE IMPLEMENTED AND ESTABLISHED.
- TEMPORARY SOIL EROSION CONTROL FACILITIES SHALL BE REMOVED AND EARTH DISTURBANCE AREAS GRADED AND STABILIZED WITH PERMANENT SOIL EROSION CONTROL MEASURES PURSUANT TO THE STANDARDS AND SPECIFICATIONS PRESCRIBED IN THE DCM VOLUME II AND THE ENGINEERING CRITERIA MANUAL (ECM) APPENDIX I.
- ALL PERSONS ENGAGED IN EARTH DISTURBANCE SHALL IMPLEMENT AND MAINTAIN ACCEPTABLE SOIL EROSION AND SEDIMENT CONTROL MEASURES INCLUDING BMPs IN CONFORMANCE WITH THE STANDARDS AND SPECIFICATIONS PRESCRIBED IN THE DCM VOLUME II AND THE ENGINEERING CRITERIA MANUAL (ECM) APPENDIX I AND IN ACCORDANCE WITH THE STORMWATER MANAGEMENT PLAN (SWMP).
- ALL TEMPORARY EROSION CONTROL FACILITIES INCLUDING BMPs AND ALL PERMANENT FACILITIES INTERFERED TO THROUGH EROSION OR EARTH DISTURBANCE OPERATIONS, SHALL BE INSTALLED AS INTENDED TO BE OPERATIONAL. THE SWMP AND THE DCM VOLUME II SHALL BE MAINTAINED THROUGHOUT THE DURATION OF THE EARTH DISTURBANCE OPERATION.
- ANY EARTH DISTURBANCE SHALL BE CONDUCTED IN SUCH A MANNER SO AS TO EFFECTIVELY REDUCE EROSION AND SEDIMENTATION. CONSTRUCTION SHALL BE LIMITED TO THE EXPOSED AREA OF ANY DISTURBED LAND DESIGNED, CONSTRUCTED, AND COMPLETED SO THAT THE EXPOSED AREA OF ANY DISTURBED LAND SHALL BE LIMITED TO THE SHORTEST PRACTICAL PERIOD OF TIME.
- ANY TEMPORARY OR PERMANENT FACILITY DESIGNED AND CONSTRUCTED FOR THE CONVEYANCE OF DISCHARGE TO STATE WATERS SHALL BE DESIGNED AND CONSTRUCTED TO WITHSTAND THE DESIGN FLOOD WITH DISTURBANCE AREA SHALL BE DESIGNED TO LIMIT THE DISCHARGE TO A NONEROSIVE VELOCITY.
- CONCRETE WASH WATER SHALL BE CONTAINED AND DISPOSED OF IN ACCORDANCE WITH THE SWMP. NO WASH WATER SHALL BE DISCHARGED TO STATE WATERS OR TO STATE WATERS, INCLUDING ANY SURFACE OR SUBSURFACE STORM DRAINAGE SYSTEM OR FACILITIES.
- EROSION CONTROL BLANKETING SHALL BE USED ON SLOPES STEEPER THAN 3:1.



SHEET KEY

No.	DATE	DESCRIPTION	BY
REVISIONS			
COMPUTER FILE MANAGEMENT			
FILE NAME: R:20,856-002_Liberty Tree Academy_Additional Specs (Dwg)Sheet:CDs:ECOM_PRR.dwg			
PLOT DATE: 4/10/2007 12:37 PM			
THIS DRAWING IS OWNED BY PPR AND MAY BE SUBJECT TO CHANGE.			

REFERENCE DRAWINGS: P:\DRAWINGS\00000000

LIBERTY TREE ACADEMY - PHASE 2
TOWN OF PEYTON, EL PASO COUNTY
CONSTRUCTION DOCUMENTS, PCD FILE NO. PPR-20-XXX

EROSION CONTROL GENERAL NOTES

DESIGNED BY: [Blank] DATE ISSUED: APRIL 2007
CHECKED BY: [Blank] DATE: 9/09/07
SCALE: [Blank] SHEET: [Blank]

PROJECT NO.: 20-856-002

LIBERTY TREE ACADEMY
DESIGNED BY: Matrix
EXCELLENCE BY DESIGN

FOR MORE INFORMATION CONTACT:
EL PASO COUNTY DEPARTMENT OF PUBLIC HEALTH AND ENVIRONMENT
WATER QUALITY CONTROL DIVISION
4300 CHERRY CREEK DRIVE SOUTH
DENVER, CO 80245-1930
ATTN: PERMITS UNIT

21. NO PERSON SHALL CAUSE THE IMPEDIMENT OF STORMWATER FLOW IN THE FLOW LINE OF THE CURB AND GUTTER OR IN THE DITCHLINE.

22. INDIVIDUALS SHALL COMPLY WITH THE COLORADO WATER QUALITY CONTROL ACT (TITLE 25, ARTICLE 8, CRS) AND THE "CLEAN WATER ACT" (33 USC 1344). IN ADDITION TO THE REQUIREMENTS INCLUDED IN THE DCM VOLUME II AND THE ECM APPENDIX I, ALL APPROPRIATE PERMITS MUST BE OBTAINED BY THE CONTRACTOR PRIOR TO CONSTRUCTION (NPDES, FLOODPLAIN, 404, FUGITIVE DUST, ETC.). IN THE EVENT OF A CONFLICT BETWEEN THESE RULES AND REGULATIONS OF OTHER FEDERAL, STATE, OR COUNTY AGENCIES, THE MORE RESTRICTIVE LAWS, RULES, OR REGULATIONS SHALL APPLY.

23. ALL CONSTRUCTION TRAFFIC MUST ENTER/EXIT THE SITE AT APPROVED CONSTRUCTION ACCESS POINTS.

24. PRIOR TO ACTUAL CONSTRUCTION THE PERMITTEE SHALL VERIFY THE LOCATION OF EXISTING UTILITIES.

25. A WATERS SOURCE SHALL BE AVAILABLE ON SITE DURING EARTHWORK OPERATIONS AND UTILIZED AS REQUIRED TO MINIMIZE DUST FROM EARTHWORK EQUIPMENT AND WIND.

26. THE SOILS REPORT FOR THIS SITE HAS BEEN PREPARED BY EARTH ENGINEERING CONSULTANTS, LLC ON APRIL 12, 2016, AND SHALL BE CONSIDERED A PART OF THESE PLANS.

27. AT LEAST TEN DAYS PRIOR TO THE ANTICIPATED START OF CONSTRUCTION FOR PROJECTS THAT WILL DISTURB 1 ACRE OR MORE, THE OWNER OR OPERATOR OF CONSTRUCTION ACTIVITY SHALL SUBMIT A PERMIT APPLICATION FOR STORMWATER DISCHARGE TO THE COLORADO DEPARTMENT OF PUBLIC HEALTH AND ENVIRONMENT. THE PERMIT APPLICATION SHALL INCLUDE THE STORMWATER CERTIFICATION OF COMPLETION OF A STORMWATER MANAGEMENT PLAN (SWMP), OF WHICH THIS GRADING AND EROSION CONTROL PLAN MAY BE A PART. FOR INFORMATION OR APPLICATION MATERIALS CONTACT:
COLORADO DEPARTMENT OF PUBLIC HEALTH AND ENVIRONMENT
WATER QUALITY CONTROL DIVISION
4300 CHERRY CREEK DRIVE SOUTH
DENVER, CO 80245-1930
ATTN: PERMITS UNIT

LIBERTY TREE ACADEMY - PHASE 2
TOWN OF PEYTON, EL PASO COUNTY
CONSTRUCTION DOCUMENTS, PCD FILE NO. PPR-20-XXX

EROSION CONTROL GENERAL NOTES

DESIGNED BY: [Blank] DATE ISSUED: APRIL 2007
CHECKED BY: [Blank] DATE: 9/09/07
SCALE: [Blank] SHEET: [Blank]

PROJECT NO.: 20-856-002