

**STANDARD NOTES FOR EL PASO COUNTY GRADING AND EROSION CONTROL PLANS:**

- STORMWATER DISCHARGES FROM CONSTRUCTION SITES SHALL NOT CAUSE OR THREATEN TO CAUSE POLLUTION, CONTAMINATION, OR DEGRADATION OF STATE WATERS. ALL WORK AND EARTH DISTURBANCE SHALL BE DONE IN A MANNER THAT MINIMIZES POLLUTION OF ANY ON-SITE OR OFF-SITE WATERS, INCLUDING WETLANDS.
- NOTWITHSTANDING ANYTHING DEPICTED IN THESE PLANS IN WORDS OR GRAPHIC REPRESENTATION, ALL DESIGN AND CONSTRUCTION RELATED TO ROADS, STORM DRAINAGE AND EROSION CONTROL SHALL CONFORM TO THE STANDARDS AND REQUIREMENTS OF THE MOST RECENT VERSION OF THE RELEVANT ADOPTED EL PASO COUNTY STANDARDS, INCLUDING THE LAND DEVELOPMENT CODE, THE ENGINEERING CRITERIA MANUAL, THE DRAINAGE CRITERIA MANUAL AND THE DRAINAGE CRITERIA MANUAL VOLUME 2. ANY DEVIATIONS TO REGULATIONS AND STANDARDS MUST BE REQUESTED, AND APPROVED, IN WRITING.
- A SEPARATE STORMWATER MANAGEMENT PLAN (SMWP) FOR THIS PROJECT SHALL BE COMPLETED AND AN EROSION AND STORMWATER QUALITY CONTROL PERMIT (ESQCP) ISSUED PRIOR TO COMMENCING CONSTRUCTION. MANAGEMENT OF THE SWMP DURING CONSTRUCTION IS THE RESPONSIBILITY OF THE DESIGNATED QUALIFIED STORMWATER MANAGER OR CERTIFIED EROSION CONTROL INSPECTOR. THE SWMP SHALL BE LOCATED ON SITE AT ALL TIMES DURING CONSTRUCTION AND SHALL BE KEPT UP TO DATE WITH WORK PROGRESS AND CHANGES IN THE FIELD.
- ONCE THE ESQCP HAS BEEN APPROVED AND A "NOTICE TO PROCEED" HAS BEEN ISSUED, THE CONTRACTOR MAY INSTALL THE INITIAL STAGE EROSION AND SEDIMENT CONTROL MEASURES AS INDICATED ON THE APPROVED GEC. A PRECONSTRUCTION MEETING BETWEEN THE CONTRACTOR, ENGINEER, AND EL PASO COUNTY WILL BE HELD PRIOR TO ANY CONSTRUCTION. IT IS THE RESPONSIBILITY OF THE APPLICANT TO COORDINATE THE MEETING TIME AND PLACE WITH COUNTY STAFF.
- CONTROL MEASURES MUST BE INSTALLED PRIOR TO COMMENCEMENT OF ACTIVITIES THAT COULD CONTRIBUTE POLLUTANTS TO STORMWATER. CONTROL MEASURES FOR ALL SLOPES, CHANNELS, DITCHES, AND DISTURBED LAND AREAS SHALL BE INSTALLED IMMEDIATELY UPON COMPLETION OF THE DISTURBANCE.
- ALL TEMPORARY SEDIMENT AND EROSION CONTROL MEASURES SHALL BE MAINTAINED AND REMAIN IN EFFECTIVE OPERATING CONDITION UNTIL PERMANENT SOIL EROSION CONTROL MEASURES ARE IMPLEMENTED AND FINAL STABILIZATION IS ESTABLISHED. ALL PERSONS ENGAGED IN LAND DISTURBANCE ACTIVITIES SHALL ASSESS THE ADEQUACY OF CONTROL MEASURES AT THE SITE AND IDENTIFY IF CHANGES TO THOSE CONTROL MEASURES ARE NEEDED TO ENSURE THE CONTINUED EFFECTIVE PERFORMANCE OF THE CONTROL MEASURES. ALL CHANGES TO TEMPORARY SEDIMENT AND EROSION CONTROL MEASURES MUST BE INCORPORATED INTO THE STORMWATER MANAGEMENT PLAN.
- TEMPORARY STABILIZATION SHALL BE IMPLEMENTED ON DISTURBED AREAS AND STOCKPILES WHERE GROUND DISTURBING CONSTRUCTION ACTIVITY HAS PERMANENTLY CEASED OR TEMPORARILY CEASED FOR LONGER THAN 14 DAYS.
- FINAL STABILIZATION MUST BE IMPLEMENTED AT ALL APPLICABLE CONSTRUCTION SITES. FINAL STABILIZATION IS ACHIEVED WHEN ALL GROUND DISTURBING ACTIVITIES ARE COMPLETE AND ALL DISTURBED AREAS EITHER HAVE A UNIFORM VEGETATIVE COVER WITH INDIVIDUAL PLAN DENSITY OF 70 PERCENT OF PRE-DISTURBANCE LEVELS ESTABLISHED OR EQUIVALENT PERMANENT ALTERNATIVE STABILIZATION METHOD IS IMPLEMENTED. ALL TEMPORARY SEDIMENT AND EROSION CONTROL MEASURES SHALL BE REMOVED UPON FINAL STABILIZATION AND BEFORE PERMIT CLOSURE.
- ALL PERMANENT STORMWATER MANAGEMENT FACILITIES SHALL BE INSTALLED AS DESIGNED IN THE APPROVED PLANS. ANY PROPOSED CHANGES THAT EFFECT THE DESIGN OR FUNCTION OF PERMANENT STORMWATER MANAGEMENT STRUCTURES MUST BE APPROVED BY THE ECM ADMINISTRATOR PRIOR TO IMPLEMENTATION.
- EARTH DISTURBANCES SHALL BE CONDUCTED IN SUCH A MANNER SO AS TO EFFECTIVELY MINIMIZE ACCELERATED SOIL EROSION AND RESULTING SEDIMENTATION. ALL DISTURBANCES SHALL BE DESIGNED, CONSTRUCTED, AND MAINTAINED SO THAT THE EXPOSED AREA OF ANY DISTURBED LAND SHALL BE LIMITED TO THE SHORTEST PRACTICAL PERIOD OF TIME. PRE-EXISTING VEGETATION SHALL BE PROTECTED AND MAINTAINED WITHIN 50 HORIZONTAL FEET OF A WATERS OF THE STATE, UNLESS SHOWN TO BE INFEASIBLE AND SPECIFICALLY REQUESTED AND APPROVED.
- COMPACTION OF SOIL MUST BE PREVENTED IN AREAS DESIGNATED FOR INFILTRATION CONTROL MEASURES OR WHERE FINAL STABILIZATION WILL BE ACHIEVED BY VEGETATIVE COVER. AREAS DESIGNATED FOR INFILTRATION CONTROL SHALL ALSO BE PROTECTED FROM SEDIMENTATION DURING CONSTRUCTION UNTIL FINAL STABILIZATION IS ACHIEVED. IF COMPACTION PREVENTION IS NOT FEASIBLE DUE TO SITE CONSTRAINTS, ALL AREAS DESIGNATED FOR INFILTRATION AND VEGETATION CONTROL MEASURES MUST BE LOOSENEED PRIOR TO INSTALLATION OF THE CONTROL MEASURE(S).
- ANY TEMPORARY OR PERMANENT FACILITY DESIGNED AND CONSTRUCTED FOR THE CONVEYANCE OF STORMWATER AROUND, THROUGH, OR FROM THE EARTH DISTURBANCE AREA SHALL BE A STABILIZED CONVEYANCE DESIGNED TO MINIMIZE EROSION AND THE DISCHARGE OF SEDIMENT OFF SITE.
- CONCRETE WASH WATER SHALL BE CONTAINED AND DISPOSED OF IN ACCORDANCE WITH THE SWMP. NO WASH WATER SHALL BE DISCHARGED TO OR ALLOWED TO ENTER STATE WATERS, INCLUDING ANY SURFACE OR SUBSURFACE STORM DRAINAGE SYSTEM OR FACILITIES. CONCRETE WASHOUT SHALL NOT BE LOCATED IN AN AREA WHERE SHALLOW GROUNDWATER MAY BE PRESENT, OR WITHIN 50 FEET OF A SURFACE WATER BODY, CREEK, OR STREAM.
- DURING DEWATERING OPERATIONS OF UNCONTAMINATED GROUND WATER MAY BE DISCHARGED ON SITE, BUT SHALL NOT LEAVE THE SITE IN THE FORM OF SURFACE RUNOFF UNLESS AN APPROVED STATE DEWATERING PERMIT IS IN PLACE.
- EROSION CONTROL BLANKETING OR OTHER PROTECTIVE COVERING SHALL BE USED ON SLOPES STEEPER THAN 3:1.
- CONTRACTOR SHALL BE RESPONSIBLE FOR THE REMOVAL OF ALL WASTES FROM THE CONSTRUCTION SITE FOR DISPOSAL IN ACCORDANCE WITH LOCAL AND STATE REGULATORY REQUIREMENTS. NO CONSTRUCTION DEBRIS, TREE SLASH, BUILDING MATERIAL WASTES OR UNUSED BUILDING MATERIALS SHALL BE BURIED, DUMPED, OR DISCHARGED AT THE SITE.
- WASTE MATERIALS SHALL NOT BE TEMPORARILY PLACED OR STORED IN THE STREET, ALLEY, OR OTHER PUBLIC WAY, UNLESS IN ACCORDANCE WITH AN APPROVED TRAFFIC CONTROL PLAN. CONTROL MEASURES MAY BE EL PASO COUNTY ENGINEERING IF DEEMED NECESSARY, BASED ON SPECIFIC CONDITIONS AND CIRCUMSTANCES.
- TRACKING OF SOILS AND CONSTRUCTION DEBRIS OFF-SITE SHALL BE MINIMIZED. MATERIALS TRACKED OFF-SITE SHALL BE CLEANED UP AND PROPERLY DISPOSED OF IMMEDIATELY.
- THE OWNER/DEVELOPER SHALL BE RESPONSIBLE FOR THE REMOVAL OF ALL CONSTRUCTION DEBRIS, DIRT, TRASH, ROCK, SEDIMENT, SOIL, AND SAND THAT MAY ACCUMULATE IN ROADS, STORM DRAINAGE AND OTHER DRAINAGE CONVEYANCE SYSTEMS AND STORMWATER APPURTENANCES AS A RESULT OF SITE DEVELOPMENT.
- THE QUANTITY OF MATERIALS STORED ON THE PROJECT SITE SHALL BE LIMITED, AS MUCH AS PRACTICAL, TO THAT QUANTITY REQUIRED TO PERFORM THE WORK IN AN ORDERLY SEQUENCE. ALL MATERIALS STORED ON-SITE SHALL BE STORED IN A NEAT, ORDERLY MANNER, IN THEIR ORIGINAL CONTAINERS, WITH ORIGINAL MANUFACTURER'S LABELS.
- NO CHEMICAL(S) HAVING THE POTENTIAL TO BE RELEASED IN STORMWATER ARE TO BE STORED OR USED ON-SITE UNLESS PERMISSION FOR THE USE OF SUCH CHEMICAL(S) IS GRANTED IN WRITING BY THE ECM ADMINISTRATOR. IN GRANTING APPROVAL FOR THE USE OF SUCH CHEMICAL(S), SPECIAL CONDITIONS AND MONITORING MAY BE REQUIRED.
- BULK STORAGE OF PETROLEUM PRODUCTS OR OTHER ALLOWED LIQUID CHEMICALS IN EXCESS OF 55 GALLONS SHALL REQUIRE ADEQUATE SECONDARY CONTAINMENT PROTECTION TO CONTAIN ALL SPILLS ON-SITE AND TO PREVENT ANY SPILLED MATERIALS FROM ENTERING STATE WATERS, ANY SURFACE OR SUBSURFACE STORM DRAINAGE SYSTEM OR FACILITIES.
- NO PERSON SHALL CAUSE THE IMPEDIMENT OF STORMWATER FLOW IN THE CURB AND GUTTER OR DITCH EXCEPT WITH APPROVED SEDIMENT CONTROL MEASURES.
- OWNER/DEVELOPER AND THEIR AGENTS SHALL COMPLY WITH THE 'COLORADO WATER QUALITY CONTROL ACT' (TITLE 25, ARTICLE 8, CRS), AND THE 'CLEAN WATER ACT' (33 USC 1344), IN ADDITION TO THE REQUIREMENTS OF THE LAND DEVELOPMENT CODE, DCM VOLUME II AND THE ECM APPENDIX I. ALL APPROPRIATE PERMITS MUST BE OBTAINED BY THE CONTRACTOR PRIOR TO CONSTRUCTION (1041, NPDES, FLOODPLAIN, 404, FUGITIVE DUST, ETC.). IN THE EVENT OF CONFLICTS BETWEEN THESE REQUIREMENTS AND OTHER LAWS, RULES, OR REGULATIONS OF OTHER FEDERAL, STATE, LOCAL OR COUNTY AGENCIES, THE MOST RESTRICTIVE LAWS, RULES, OR REGULATIONS SHALL APPLY.
- ALL CONSTRUCTION TRAFFIC MUST ENTER/EXIT THE SITE AT APPROVED CONSTRUCTION ACCESS POINTS.
- PRIOR TO CONSTRUCTION THE PERMITEE SHALL VERIFY THE LOCATION OF EXISTING UTILITIES.
- A WATER SOURCE SHALL BE AVAILABLE ON SITE DURING EARTHWORK OPERATIONS AND SHALL BE UTILIZED AS REQUIRED TO MINIMIZE DUST FROM EARTHWORK EQUIPMENT AND WIND.
- THE SOILS REPORT FOR THIS SITE HAS BEEN PREPARED BY GROUND ENGINEERING CONSULTANTS, INC., DATED 8/6/2021 AND SHALL BE CONSIDERED A PART OF THESE PLANS.
- AT LEAST TEN (10) DAYS PRIOR TO THE ANTICIPATED START OF CONSTRUCTION, FOR PROJECTS THAT WILL DISTURB ONE (1) ACRE OR MORE, THE OWNER OR OPERATOR OF CONSTRUCTION ACTIVITY SHALL SUBMIT A PERMIT APPLICATION FOR STORMWATER DISCHARGE TO THE COLORADO DEPARTMENT OF PUBLIC HEALTH AND ENVIRONMENT, WATER QUALITY DIVISION. THE APPLICATION CONTAINS CERTIFICATION OF COMPLETION OF A STORMWATER MANAGEMENT PLAN (SMWP), OF WHICH THIS GRADING AND EROSION CONTROL PLAN MAY BE A PART. FOR INFORMATION OR APPLICATION MATERIALS CONTACT:

COLORADO DEPARTMENT OF PUBLIC HEALTH AND ENVIRONMENT  
WATER QUALITY CONTROL DIVISION  
WCDD -PERMITS  
4300 CHERRY CREEK DRIVE SOUTH  
DENVER, CO 80246-1530  
ATTN: PERMITS UNIT



VICINITY MAP  
1"=200'

Sheet Index	
SHEET NO.	SHEET TITLE
8.0	GESQCP PLAN COVER SHEET
CB.1	INITIAL GRADING AND EROSION CONTROL PLAN
CB.2	FINAL GRADING AND EROSION CONTROL PLAN
CB.3	GRADING AND EROSION CONTROL DETAILS
CB.4	GRADING AND EROSION CONTROL DETAILS
CB.5	GRADING AND EROSION CONTROL DETAILS
CB.5	POND DETAILS

**CONTACTS:**

OWNER:  
WIDEFIELD SCHOOL DISTRICT 3  
445 JERSEY LANE  
COLORADO SPRINGS, CO 80911  
TEL: (719) 391-3531  
CONTACT: DAVE GISH

ENGINEER:  
KIMLEY-HORN AND ASSOCIATES, INC.  
2 NEVADA NORTH AVE., SUITE 300  
COLORADO SPRINGS, CO 80903  
TEL: (719) 453-0192  
CONTACT: ERIC GUNDERSON, P.E.

EL PASO COUNTY:  
EL PASO COUNTY  
PCD DEPARTMENT  
2880 INTERNATIONAL CIRCLE, SUITE 110  
COLORADO SPRINGS, CO 80910  
PHONE: (719) 520-6300

SURVEYOR:  
DREXEL, BARRELL & CO.  
3 SOUTH 7TH STREET  
COLORADO SPRINGS, CO 80905  
TEL: (719) 260-0887  
CONTACT: TIM MCCONNELL

**LAND AREA:**

TOTAL PROPERTY AREA: +/- 39.26 ACRES

**BENCHMARK:**

THIS UTILITY/FACILITY WAS UNABLE TO BE LOCATED AND IS SHOWN IN AN APPROXIMATE/ASSUMED LOCATION BASED ON RECORD DRAWINGS OR OTHER AVAILABLE INFORMATION OR FIELD EVIDENCES. THE CONTRACTOR IS TO FIELD VERIFY THE LOCATION AND ELEVATION OF THE UTILITY/FACILITY IF IT EXISTS.

**LEGAL DESCRIPTION**

RECORDS OF EL PASO COUNTY, STATE OF COLORADO.

**SOIL TYPE:**

THE SOIL ON SITE IS USGS HYDROLOGIC SOIL GROUP A.

**FLOOD ZONE DESIGNATION**

FEDERAL EMERGENCY MANAGEMENT AGENCY, FLOOD INSURANCE RATE MAP, MAP NUMBER 08041C0952G, EFFECTIVE DATE DECEMBER 7, 2018 INDICATES THIS PARCEL OF LAND IS LOCATED IN ZONE X (AREA OF MINIMAL FLOOD HAZARD).

**SITE INFORMATION:**

TIMING:  
ANTICIPATED STARTING AND COMPLETION TIME PERIOD OF SITE GRADING:  
START: SUMMER 2022  
END: FALL 2023  
EXPECTED DATE ON WHICH THE FINAL STABILIZATION WILL BE COMPLETE:  
FALL 2023

AREAS:  
TOTAL DISTURBED AREA: 8.0 ACRES

RECEIVING WATERS:  
NAME OF RECEIVING WATERS: ULTIMATELY FOUNTAIN CREEK

DESCRIPTION OF EXISTING VEGETATION:  
THE EXISTING SITE CURRENTLY CONTAINS EXISTING BUILDINGS, PLAYGROUNDS, PARKING AREAS, FIELDS, AND GROUND COVER CONSISTING OF 100% WEEDS, GRASSES, AND TREES.

DESCRIPTION OF PERMANENT BMPs:  
FULL SPECTRUM EXTENDED DETENTION BASIN

SOILS INFORMATION:  
SOIL GROUP: A  
SOIL SLOPES: 3 H: 1V OR LESS FOR ALL UN-RETAINED AREAS

**DEVELOPER'S STATEMENT**

I, THE OWNER/DEVELOPER HAVE READ AND WILL COMPLY WITH THE REQUIREMENTS OF THE GRADING AND EROSION CONTROL PLAN.

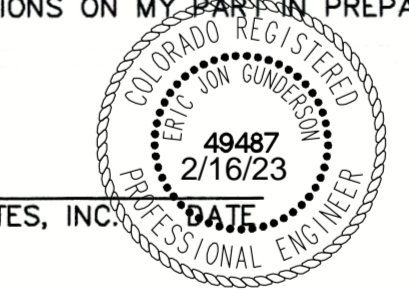
*[Signature]*  
DEVELOPER SIGNATURE

DATE 2-14-23

**ENGINEER'S STATEMENT**

THIS GRADING AND EROSION CONTROL PLAN WAS PREPARED UNDER MY DIRECTION AND SUPERVISION AND IS CORRECT TO THE BEST OF MY KNOWLEDGE AND BELIEF. SAID PLAN HAS BEEN PREPARED ACCORDING TO THE CRITERIA ESTABLISHED BY THE COUNTY FOR GRADING AND EROSION CONTROL PLANS. I ACCEPT RESPONSIBILITY FOR ANY LIABILITY CAUSED BY ANY NEGLIGENT ACTS, ERRORS OR OMISSIONS ON MY PART IN PREPARING THIS PLAN.

*[Signature]*  
ERIC GUNDERSON, PE - KIMLEY-HORN AND ASSOCIATES, INC.



**EL PASO COUNTY**

COUNTY PLAN REVIEW IS PROVIDED ONLY FOR GENERAL CONFORMANCE WITH COUNTY DESIGN CRITERIA. THE COUNTY IS NOT RESPONSIBLE FOR THE ACCURACY AND ADEQUACY OF THE DESIGN, DIMENSIONS, AND/OR ELEVATIONS WHICH SHALL BE CONFIRMED AT THE JOB SITE. THE COUNTY THROUGH THE APPROVAL OF THIS DOCUMENT ASSUMES NO RESPONSIBILITY FOR COMPLETENESS AND/OR ACCURACY OF THIS DOCUMENT. FILED IN ACCORDANCE WITH THE REQUIREMENTS OF THE EL PASO COUNTY LAND DEVELOPMENT CODE, DRAINAGE CRITERIA MANUAL VOLUMES 1 AND 2, AND ENGINEERING CRITERIA MANUAL, AS AMENDED.

IN ACCORDANCE WITH ECM SECTION 1.12, THESE CONSTRUCTION DOCUMENTS WILL BE VALID FOR CONSTRUCTION FOR A PERIOD OF 2 YEARS FROM THE DATE SIGNED BY THE EL PASO COUNTY ENGINEER. IF CONSTRUCTION HAS NOT STARTED WITHIN THOSE 2 YEARS, THE PLANS WILL NEED TO BE RESUBMITTED FOR APPROVAL, INCLUDING PAYMENT OF REVIEW FEES AT THE PLANNING AND COMMUNITY DEVELOPMENT DIRECTOR'S DISCRETION.

Approved  
By: Elizabeth Nijama, PE  
Date: 02/28/2023  
COUNTY ENGINEER/ECM ADMINISTRATOR

DATE



**Construction Documents**

Drawn: JAR  
Checked: E.J.G.  
Issued: 30 March 2022  
Revised: 19 January 2023

**Area Key Plan**

**GESQCP PLAN COVER SHEET**

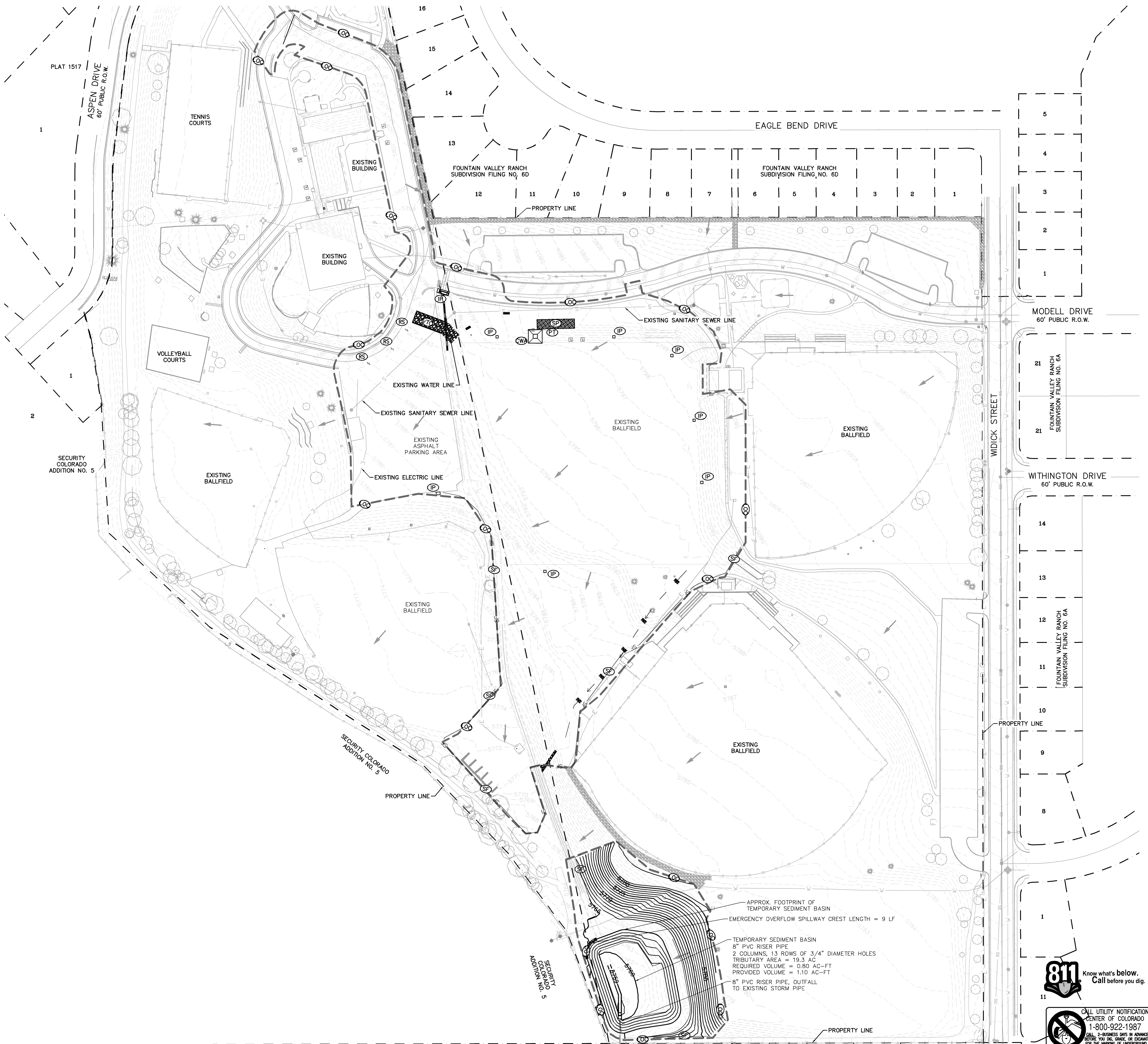
**8.0**

**LEGEND**

- 6550 --- PROPERTY LINE
- 6551 --- EXISTING MAJOR CONTOUR
- 6550 --- EXISTING MINOR CONTOUR
- 6551 --- MAJOR CONTOUR
- 6551 --- MINOR CONTOUR
- SF --- LIMITS OF CONSTRUCTION/DISTURBANCE
- SF --- SILT FENCE
- SF --- EASEMENT
- S --- EXISTING SANITARY SEWER
- W --- EXISTING WATER LINE
- G --- EXISTING STORM SEWER PIPE
- FO --- EXISTING FIBER OPTIC LINE
- G --- EXISTING GAS LINE
- OH --- EXISTING OVERHEAD ELECTRIC LINE
- O --- EXISTING BARBED WIRE FENCE
- RS --- ROCK SOCKS PER UDFCD DETAIL SC-5
- SSA --- STABILIZED STAGING AREA
- CWA --- CONCRETE WASHOUT
- VTC --- VEHICLE TRACKING CONTROL
- SP --- SOIL STOCKPILE
- CR --- EROSION CONTROL BLANKET
- IP --- INLET PROTECTION
- CIP --- CULVERT INLET PROTECTION
- --- EXISTING FLOW DIRECTION ARROW
- --- FLOW DIRECTION ARROW
- SS --- STREET SWEEPING AND VACUUMING PER UDFCD DETAIL SM-7
- DC --- DUST CONTROL PER UDFCD DETAIL EC-14
- --- FINAL STABILIZATION (REFERENCE FINAL LANDSCAPING PLANS)

**NOTES**

1. THE INTENT OF THIS PLAN IS TO IDENTIFY THE EROSION CONTROL PRACTICES RECOMMENDED. THE CONTRACTOR SHALL REFERENCE ADDITIONAL CONSTRUCTION PLANS FOR DEMOLITION OF EXISTING AND CONSTRUCTION OF PROPOSED IMPROVEMENTS.
2. ADJACENT STREETS AND SIDEWALK SHALL BE KEPT CLEAN AND FREE OF SEDIMENT AND/OR DEBRIS AT ALL TIMES. CONTRACTOR SHALL PERFORM STREET SWEEPING AT ALL TIMES DURING ACTIVE TRACKING AND AT A MINIMUM ON A DAILY BASIS AT THE END OF EACH CONSTRUCTION DAY.
3. TEMPORARY STABILIZATION (TS) SHALL BE IMPLEMENTED WITHIN THE DISTURBED PORTIONS OF THE PROJECT SITE NO LATER THAN 14 DAYS FOLLOWING THE CEASE OF CONSTRUCTION ACTIVITIES WITHIN THE DISTURBED AREAS.
4. PERMANENT STABILIZATION (PS) MAY BE USED WITHIN AREAS OF TEMPORARY STABILIZATION (TS) AT THE CONTRACTOR'S DISCRETION. STABILIZATION SHALL BE APPLIED IN ACCORDANCE WITH APPLICABLE TEMPORARY STABILIZATION SEQUENCING REQUIREMENTS.
5. CONTRACTOR SHALL UTILIZE ROLLED EROSION CONTROL PRODUCTS ON ALL SLOPES 3H:1V OR GREATER TO ACHIEVE REQUIRED STABILIZATION.
6. CONTRACTOR SHALL MAINTAIN ACCEPTABLE EROSION CONTROL PRACTICES WITHIN THE ANTICIPATED LIMITS OF CONSTRUCTION IDENTIFIED HEREIN. BEST MANAGEMENT PRACTICES AND STABILIZATION SHALL BE COMPLETED AS IDENTIFIED HEREIN IN ACCORDANCE WITH OWNER REQUIREMENTS.
7. ALL WORK IN THE WIDICK STREET ROW REQUIRES A ROW PERMIT FROM DEPARTMENT OF PUBLIC WORKS. CONTRACTOR IS RESPONSIBLE FOR APPLYING FOR AND OBTAINING ALL NECESSARY ROW PERMITS.
8. CONTRACTOR SHALL REFER TO THE APPROVED GEOTECHNICAL REPORT FOR OVEREXCAVATION REQUIREMENTS AND ADDITIONAL INFORMATION.
9. SILT FENCE TO BE INSTALLED PRIOR TO COMMENCEMENT OF ONSITE GRADING AND CONSTRUCTION ACTIVITIES.
10. DEMOLITION, REMOVAL, AND SOIL TREATMENT SHALL BE IN ACCORDANCE WITH THE GEOTECHNICAL ENGINEER RECOMMENDATIONS AS NOTED IN THE APPROVED PROJECT GEOTECHNICAL REPORT.
11. CONTRACTOR TO NOTE PROXIMITY OF EXISTING IMPROVEMENTS ADJACENT TO THE SITE AND PROVIDE NECESSARY MEASURES TO PROTECT ALL FACILITIES AND STRUCTURES IN PLACE.
12. CONTRACTOR SHALL MAINTAIN STABILIZED STAGING AREA (SSA), VEHICLE TRACKING CONTROL (VTC), AND CONCRETE WASHOUT AREA (CWA) AT THE CONSTRUCTION ENTRANCE AT ALL TIMES. CONTRACTOR SHALL UPDATE THE EROSION CONTROL PLAN IN THE FIELD TO INDICATE THE LOCATION OF THE SSA, VTC, AND CWA Bmps AS EXCAVATION SEQUENCING DICTATES.
13. CONTRACTOR MAY SUBSTITUTE SEDIMENT CONTROL LOGS (SCL) FOR SILT FENCE (SF) AS PERIMETER CONTROL, DEPENDING UPON SITE CONDITIONS. SCL AND SF MAY BE INTERCHANGED DEPENDING ON SITE CONDITIONS.
14. CONTRACTOR SHALL OBTAIN R.O.W. PERMITS FOR ANY R.O.W. CLOSURES.
15. NON-STRUCTURAL COM'S, SUCH AS STREET SWEEPING, WILL BE USED AS NEEDED THROUGHOUT CONSTRUCTION.
16. SEE FINAL LANDSCAPING PLAN IN THE DEVELOPMENT PLAN FOR FINAL STABILIZATION MEASURES.
17. EXISTING VEGETATION ON SITE INCLUDES GRASSED FIELDS, TREES, AND GRASSES/WEEDS.



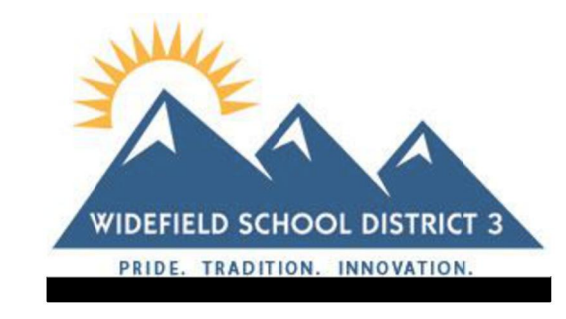
**811** Know what's below. Call before you dig.

CALL UTILITY NOTIFICATION CENTER OF COLORADO  
1-800-922-1987  
CALL 2-BUSINESS DAYS IN ADVANCE BEFORE YOU DIG, GRAB OR LOCATE FOR THE NUMBER OF UNDERGROUND MEMBER UTILITIES

**L K A PART N E R S**  
INCORPORATED  
A Professional Corporation for Architecture and Planning  
430 North Tejon Street Suite 200  
Colorado Springs Colorado 80903  
tele: 719.473.8446 fax: 719.473.8448  
web: www.lkapartners.com

Copyright 2022 The LKA Partners, Inc. This document and the information contained herein may not be reproduced or excerpted from without the express written permission of The LKA Partners, Inc. Unauthorized copying, disclosure or construction use are prohibited by copyright law.

**Widefield Parks and Recreation Facility Expansion**  
705 Aspen Drive, Colorado Springs, CO 80911  
Widefield School District 3  
1820 Main Street  
Colorado Springs, CO 80911



**CONSTRUCTION DOCUMENTS**

Drawn: JAR  
Checked: EJJ  
Issued: 30 March 2022  
Revised: 19 January 2023

**Area Key Plan**

**INITIAL GRADING AND EROSION CONTROL PLAN**  
**C8.1**

GRAPHIC SCALE IN FEET  
0 30 60 120

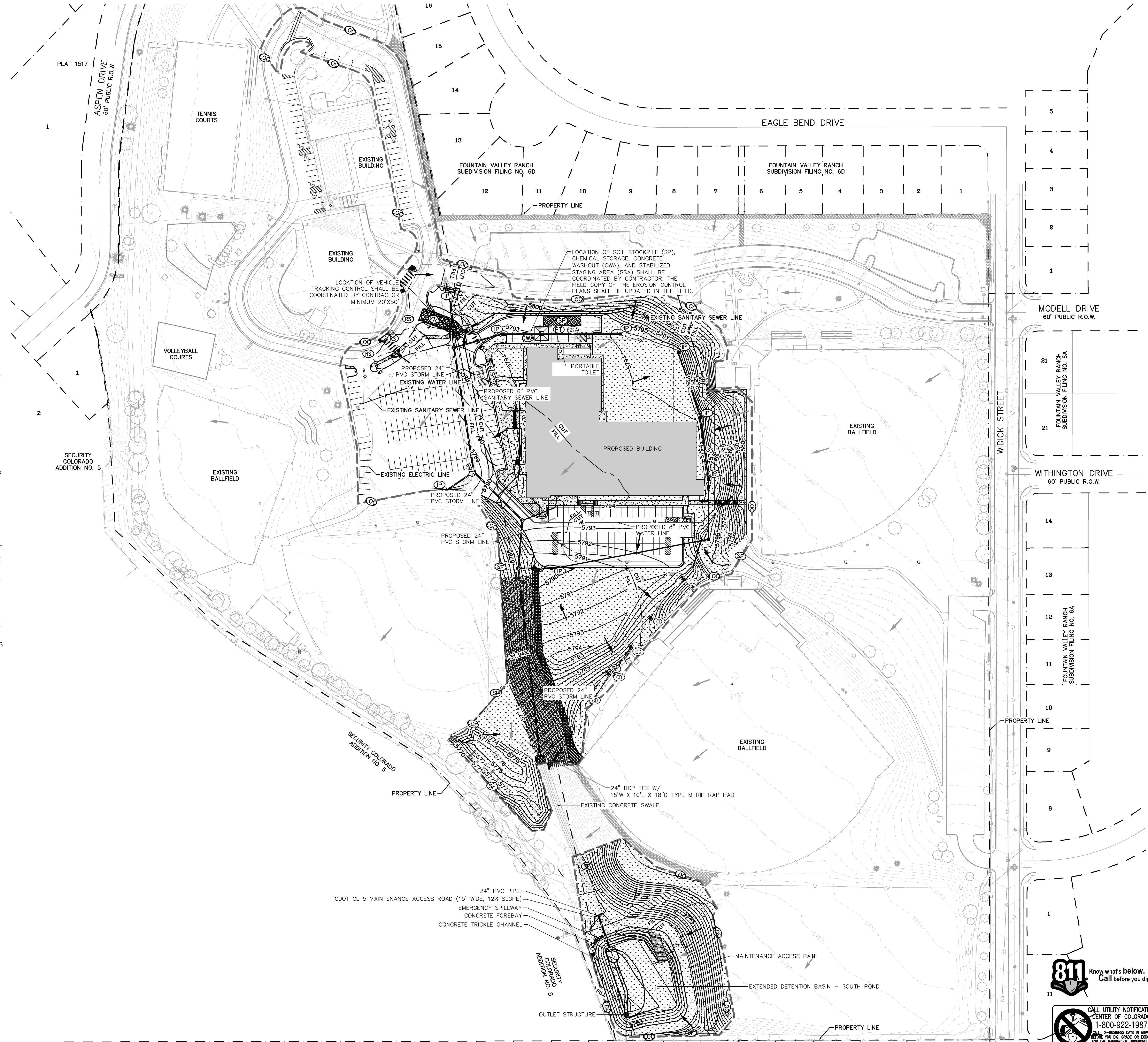
Project No. 21-004  
The LKA Partners Incorporated

**LEGEND**

- 6550 --- PROPERTY LINE
- 6551 --- EXISTING MAJOR CONTOUR
- 6550 --- EXISTING MINOR CONTOUR
- 6551 --- MAJOR CONTOUR
- 6551 --- MINOR CONTOUR
- SF --- LIMITS OF CONSTRUCTION/DISTURBANCE
- SF --- SILT FENCE
- SF --- EASEMENT
- S --- EXISTING SANITARY SEWER
- W --- EXISTING WATER LINE
- W --- EXISTING STORM SEWER PIPE
- FO --- EXISTING FIBER OPTIC LINE
- G --- EXISTING GAS LINE
- OH --- EXISTING OVERHEAD ELECTRIC LINE
- O --- EXISTING BARBED WIRE FENCE
- (RS) --- ROCK SOCKS PER UDFCD DETAIL SC-5
- (SSA) --- STABILIZED STAGING AREA
- (CWA) --- CONCRETE WASHOUT
- (VTC) --- VEHICLE TRACKING CONTROL
- (SP) --- SOIL STOCKPILE
- (ECB) --- EROSION CONTROL BLANKET
- (IP) --- INLET PROTECTION
- (CIP) --- CULVERT INLET PROTECTION
- ( ) --- EXISTING FLOW DIRECTION ARROW
- ( ) --- FLOW DIRECTION ARROW
- (SS) --- STREET SWEEPING AND VACUUMING PER UDFCD DETAIL SM-7
- (DC) --- DUST CONTROL PER UDFCD DETAIL EC-14
- ( ) --- FINAL STABILIZATION (REFERENCE FINAL LANDSCAPING PLANS)

**NOTES**

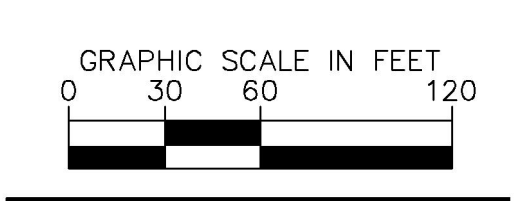
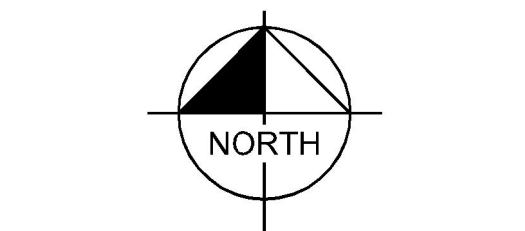
1. THE INTENT OF THIS PLAN IS TO IDENTIFY THE EROSION CONTROL PRACTICES RECOMMENDED. THE CONTRACTOR SHALL REFERENCE ADDITIONAL CONSTRUCTION PLANS FOR DEMOLITION OF EXISTING AND CONSTRUCTION OF PROPOSED IMPROVEMENTS.
2. ADJACENT STREETS AND SIDEWALK SHALL BE KEPT CLEAN AND FREE OF SEDIMENT AND/OR DEBRIS AT ALL TIMES. CONTRACTOR SHALL PERFORM STREET SWEEPING AT ALL TIMES DURING ACTIVE TRACKING AND AT A MINIMUM ON A DAILY BASIS AT THE END OF EACH CONSTRUCTION DAY.
3. TEMPORARY STABILIZATION (TS) SHALL BE IMPLEMENTED WITHIN THE DISTURBED PORTIONS OF THE PROJECT SITE NO LATER THAN 14 DAYS FOLLOWING THE CEASE OF CONSTRUCTION ACTIVITIES WITHIN THE DISTURBED AREAS.
4. PERMANENT STABILIZATION (PS) MAY BE USED WITHIN AREAS OF TEMPORARY STABILIZATION (TS) AT THE CONTRACTOR'S DISCRETION. STABILIZATION SHALL BE APPLIED IN ACCORDANCE WITH APPLICABLE TEMPORARY STABILIZATION SEQUENCING REQUIREMENTS.
5. CONTRACTOR SHALL UTILIZE ROLLED EROSION CONTROL PRODUCTS ON ALL SLOPES 3H:1V OR GREATER TO ACHIEVE REQUIRED STABILIZATION.
6. CONTRACTOR SHALL MAINTAIN ACCEPTABLE EROSION CONTROL PRACTICES WITHIN THE ANTICIPATED LIMITS OF CONSTRUCTION IDENTIFIED HEREIN. BEST MANAGEMENT PRACTICES AND STABILIZATION SHALL BE COMPLETED AS IDENTIFIED HEREIN IN ACCORDANCE WITH OWNER REQUIREMENTS.
7. ALL WORK IN THE WIDICK STREET ROW REQUIRES A ROW PERMIT FROM DEPARTMENT OF PUBLIC WORKS. CONTRACTOR IS RESPONSIBLE FOR APPLYING FOR AND OBTAINING ALL NECESSARY ROW PERMITS.
8. CONTRACTOR SHALL REFER TO THE APPROVED GEOTECHNICAL REPORT FOR OVEREXCAVATION REQUIREMENTS AND ADDITIONAL INFORMATION.
9. SILT FENCE TO BE INSTALLED PRIOR TO COMMENCEMENT OF ONSITE GRADING AND CONSTRUCTION ACTIVITIES.
10. DEMOLITION, REMOVAL, AND SOIL TREATMENT SHALL BE IN ACCORDANCE WITH THE GEOTECHNICAL ENGINEER RECOMMENDATIONS AS NOTED IN THE APPROVED PROJECT GEOTECHNICAL REPORT.
11. CONTRACTOR TO NOTE PROXIMITY OF EXISTING IMPROVEMENTS ADJACENT TO THE SITE AND PROVIDE NECESSARY MEASURES TO PROTECT ALL FACILITIES AND STRUCTURES IN PLACE.
12. CONTRACTOR SHALL MAINTAIN STABILIZED STAGING AREA (SSA), VEHICLE TRACKING CONTROL (VTC), AND CONCRETE WASHOUT AREA (CWA) AT THE CONSTRUCTION ENTRANCE AT ALL TIMES. CONTRACTOR SHALL UPDATE THE EROSION CONTROL PLAN IN THE FIELD TO INDICATE THE LOCATION OF THE SSA, VTC, AND CWA BMPS AS EXCAVATION SEQUENCING DICTATES.
13. CONTRACTOR MAY SUBSTITUTE SEDIMENT CONTROL LOGS (SCL) FOR SILT FENCE (SF) AS PERIMETER CONTROL, DEPENDING UPON SITE CONDITIONS. SCL AND SF MAY BE INTERCHANGED DEPENDING ON SITE CONDITIONS.
14. CONTRACTOR SHALL OBTAIN R.O.W. PERMITS FOR ANY R.O.W. CLOSURES.
15. NON-STRUCTURAL COM'S, SUCH AS STREET SWEEPING, WILL BE USED AS NEEDED THROUGHOUT CONSTRUCTION.
16. SEE FINAL LANDSCAPING PLAN IN THE DEVELOPMENT PLAN FOR FINAL STABILIZATION MEASURES.



**CONSTRUCTION DOCUMENTS**

Drawn: JAR  
 Checked: EJJ  
 Issued: 30 March 2022  
 Revised: 19 January 2023

**Area Key Plan**



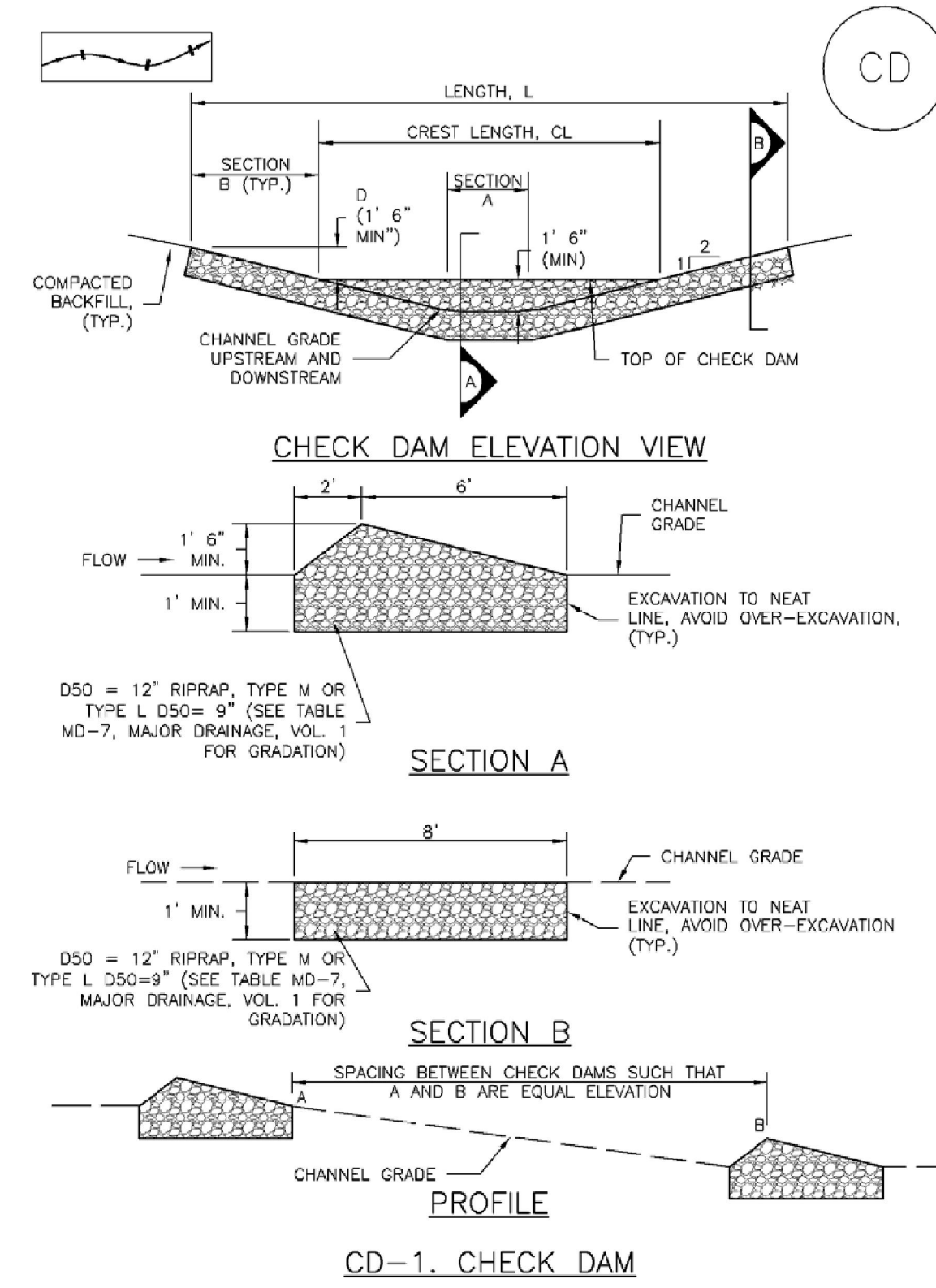
**FINAL GRADING AND EROSION CONTROL PLAN**

**C8.2**



**Check Dams (CD)**

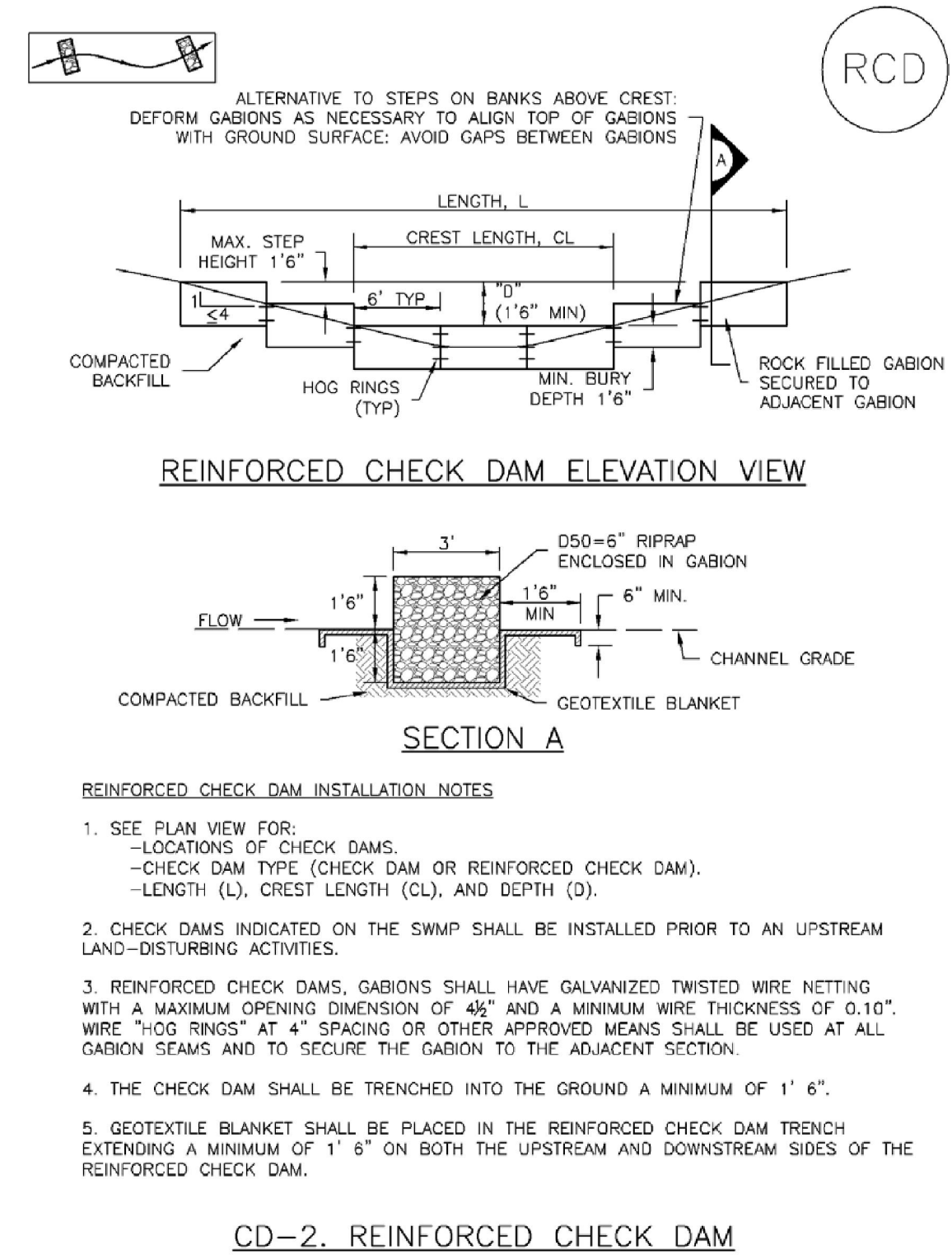
**EC-12**



November 2010 Urban Drainage and Flood Control District  
Urban Storm Drainage Criteria Manual Volume 3 CD-3

**Check Dams (CD)**

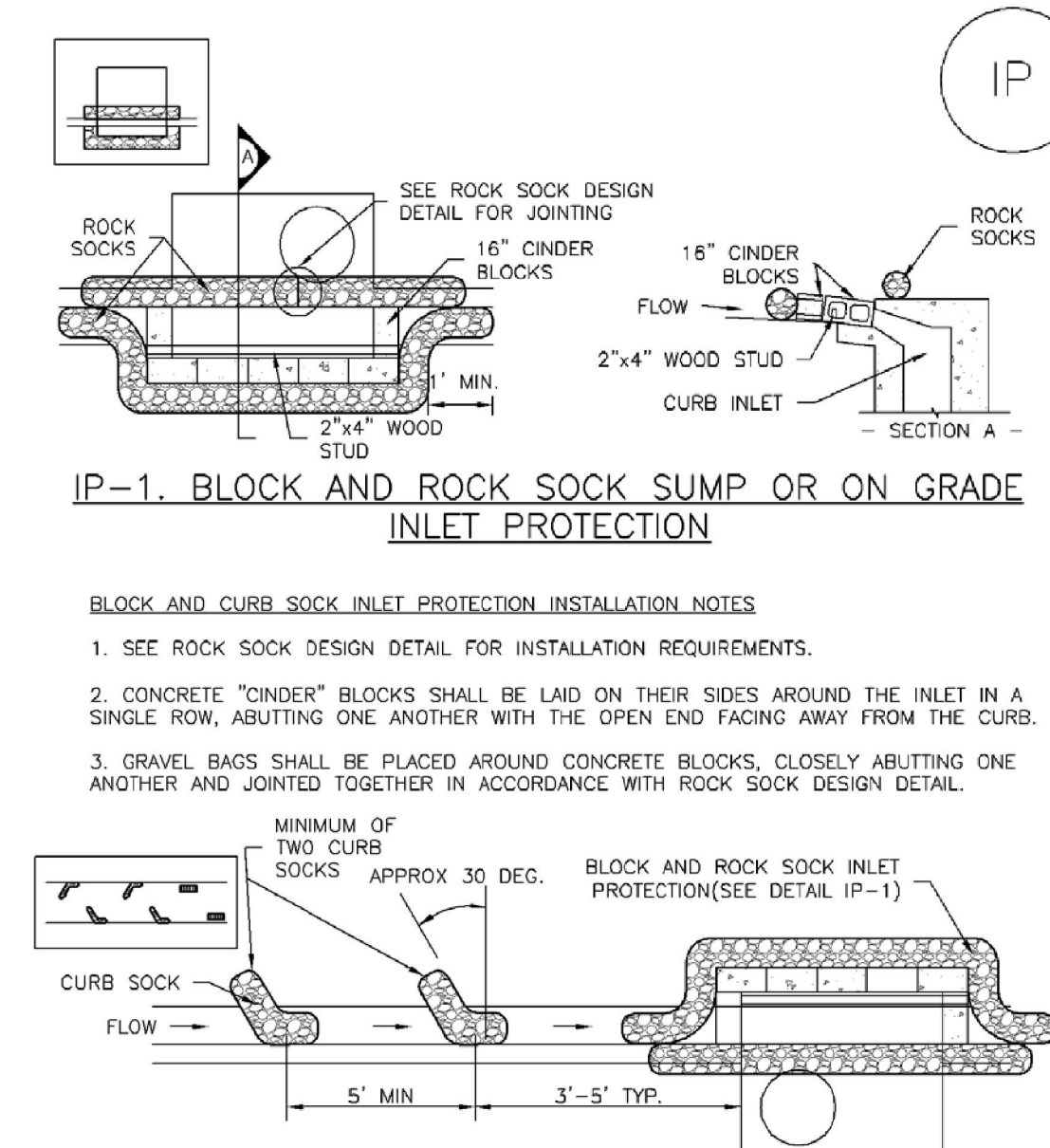
**EC-12**



November 2010 Urban Drainage and Flood Control District  
Urban Storm Drainage Criteria Manual Volume 3 CD-5

**SC-6**

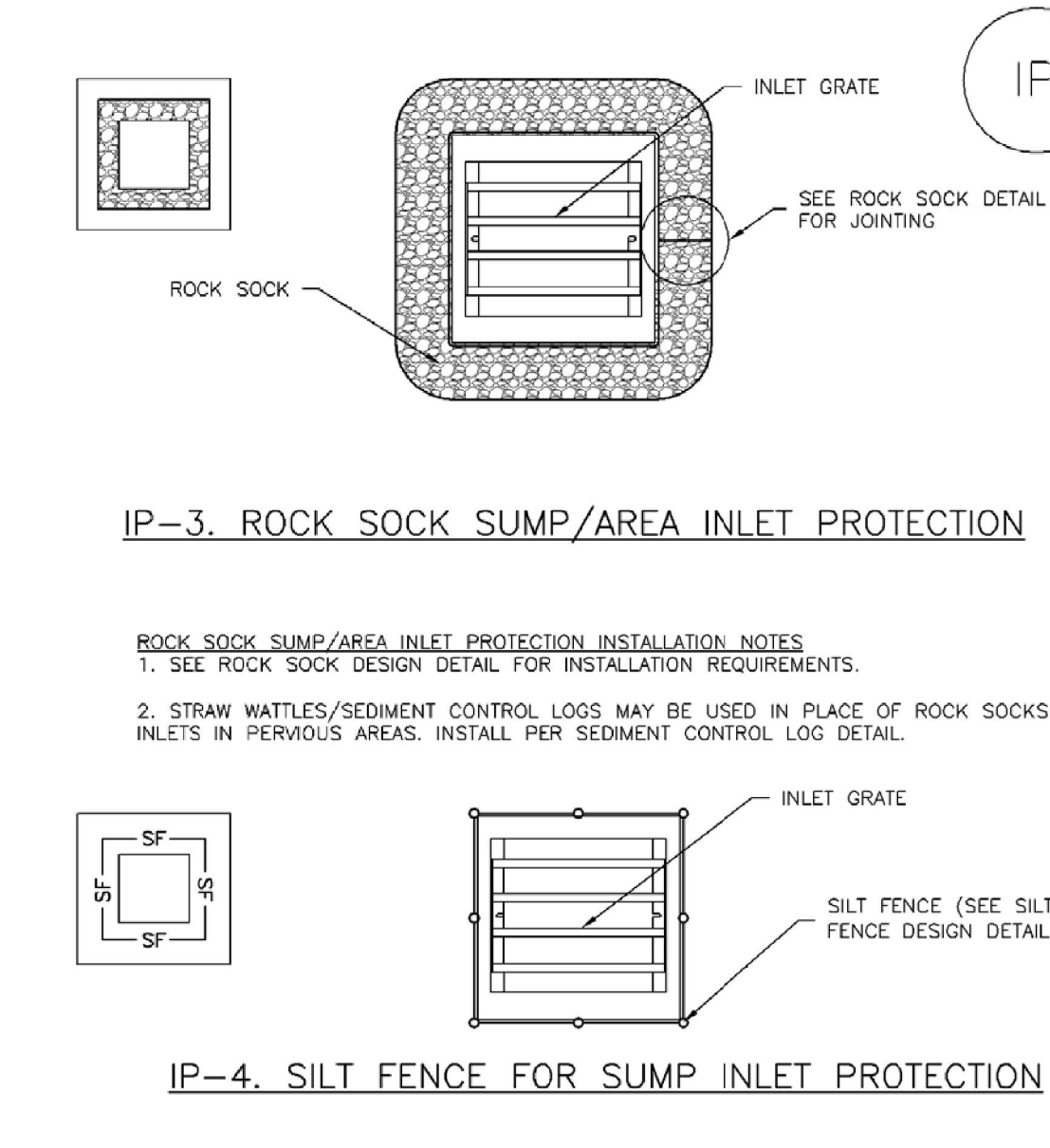
**Inlet Protection (IP)**



IP-4 Urban Drainage and Flood Control District  
Urban Storm Drainage Criteria Manual Volume 3 August 2013

**Inlet Protection (IP)**

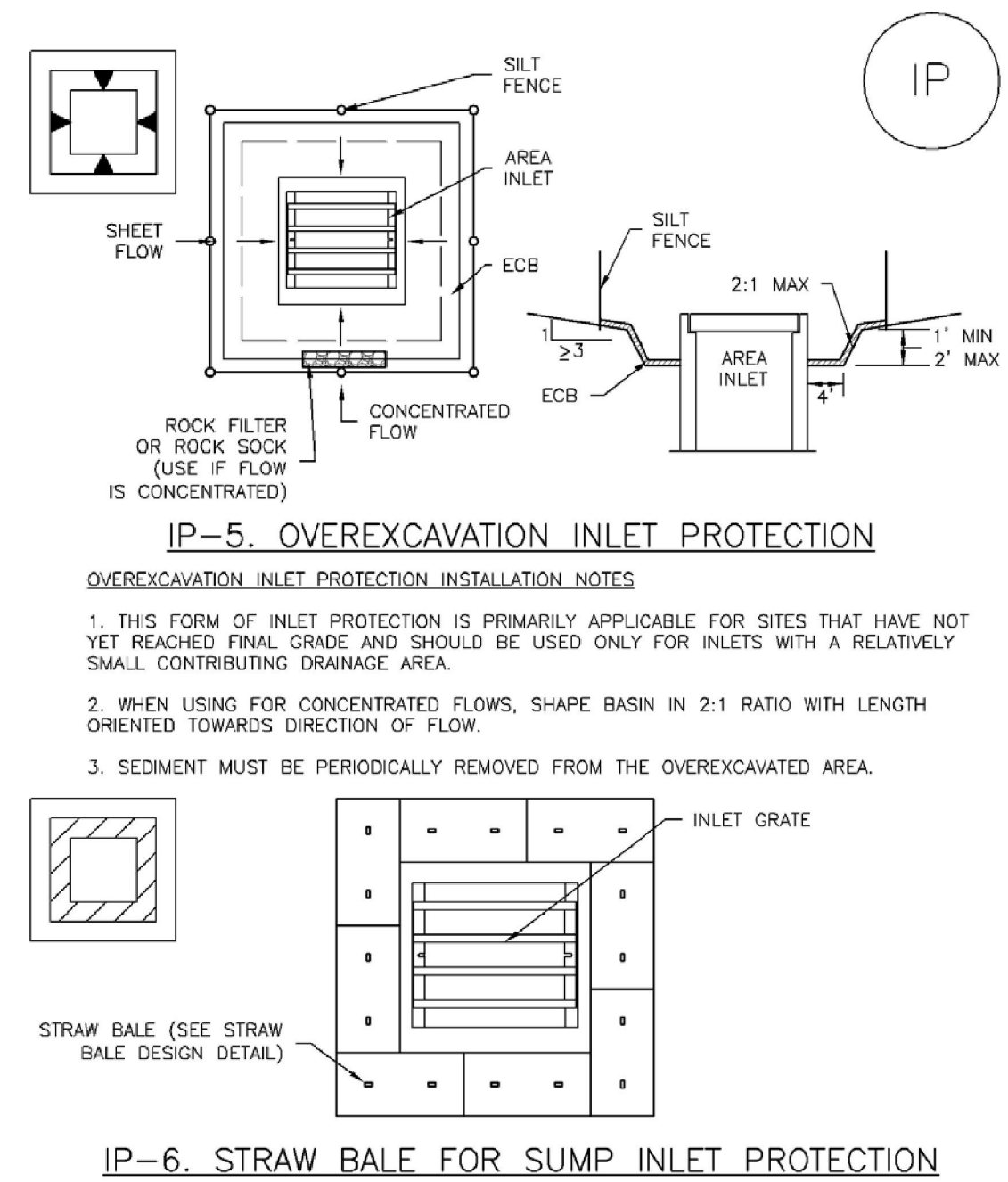
**SC-6**



August 2013 Urban Drainage and Flood Control District  
Urban Storm Drainage Criteria Manual Volume 3 IP-5

**SC-6**

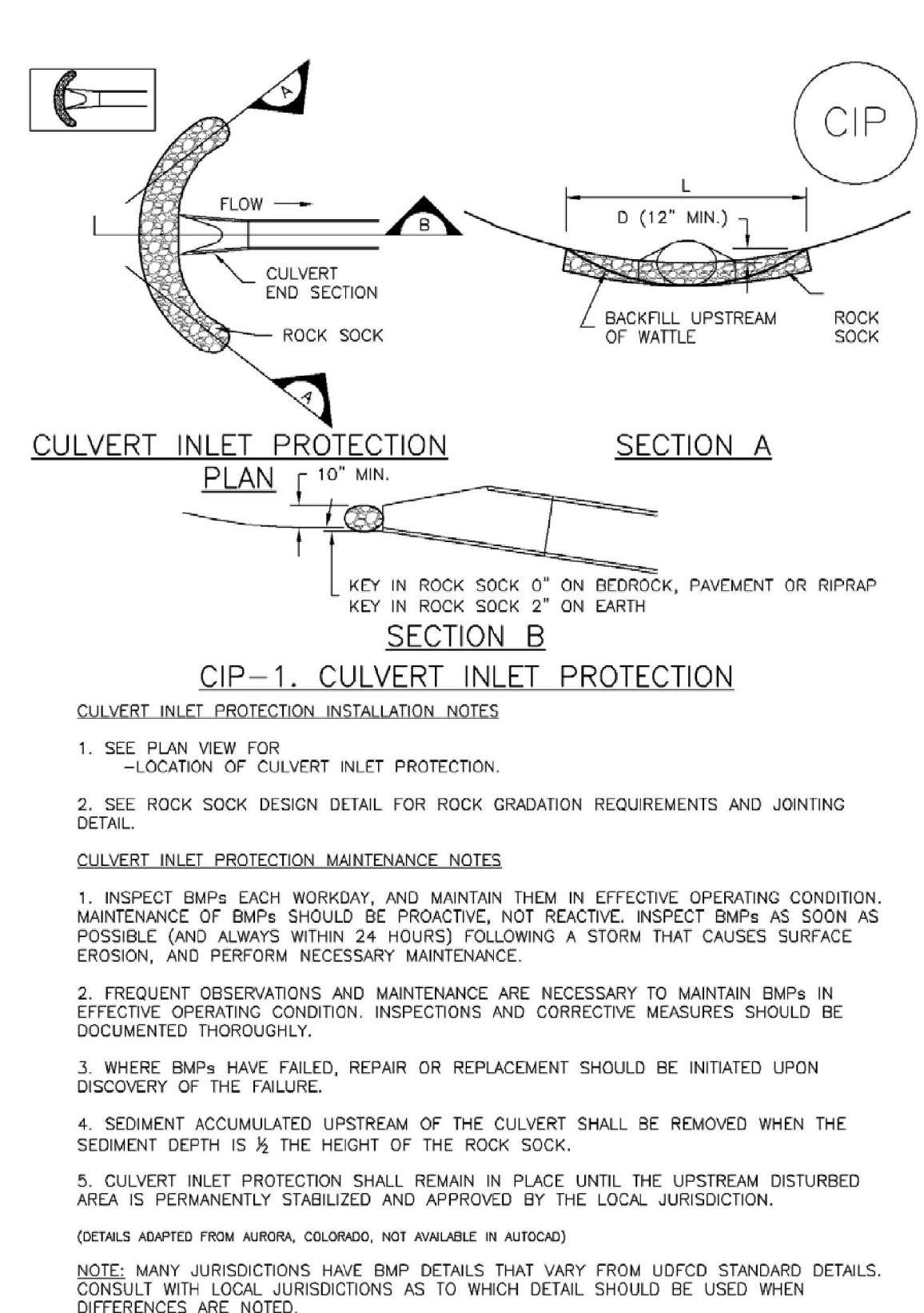
**Inlet Protection (IP)**



IP-6 Urban Drainage and Flood Control District  
Urban Storm Drainage Criteria Manual Volume 3 August 2013

**Inlet Protection (IP)**

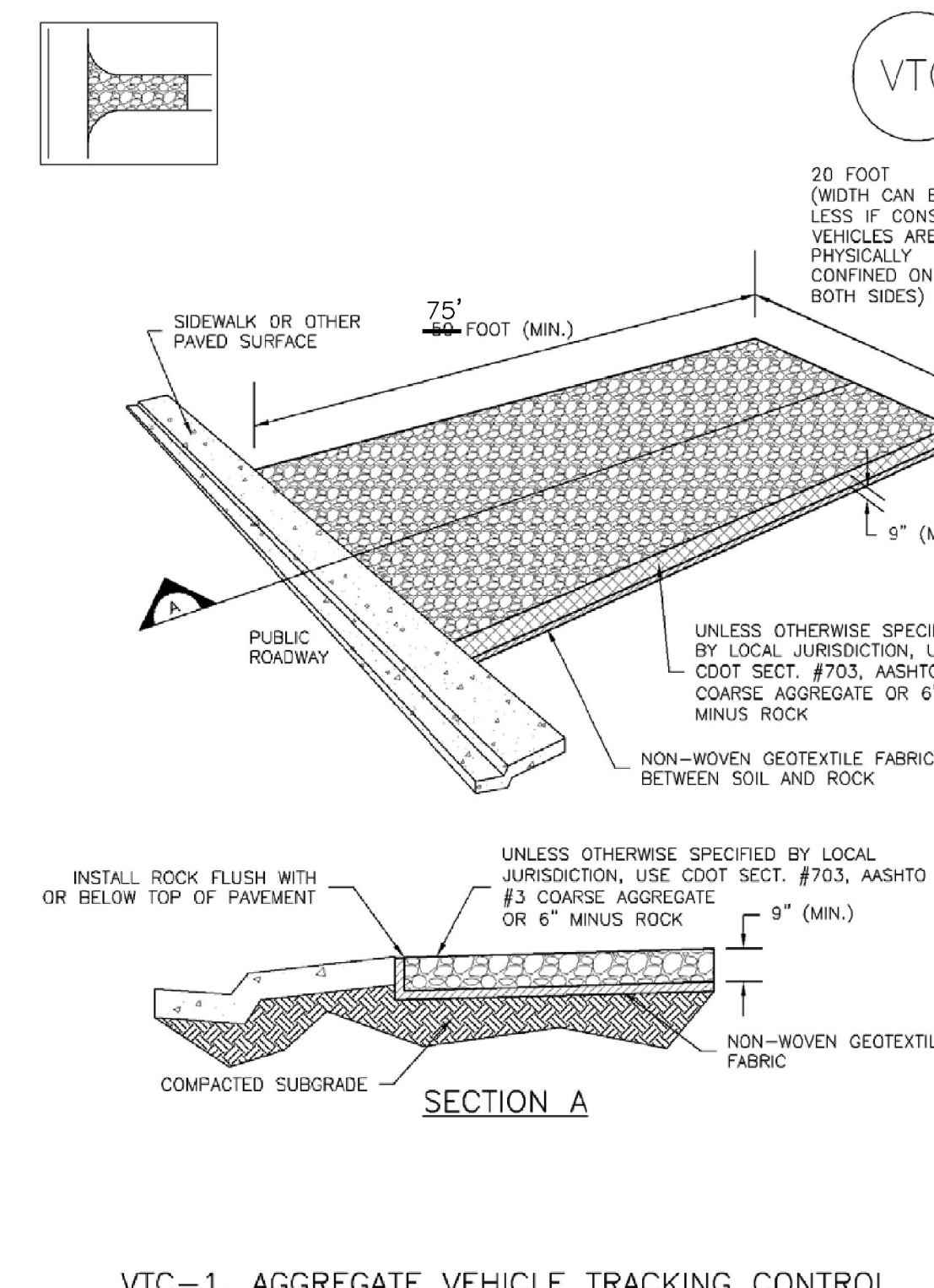
**SC-6**



August 2013 Urban Drainage and Flood Control District  
Urban Storm Drainage Criteria Manual Volume 3 IP-7

**Vehicle Tracking Control (VTC)**

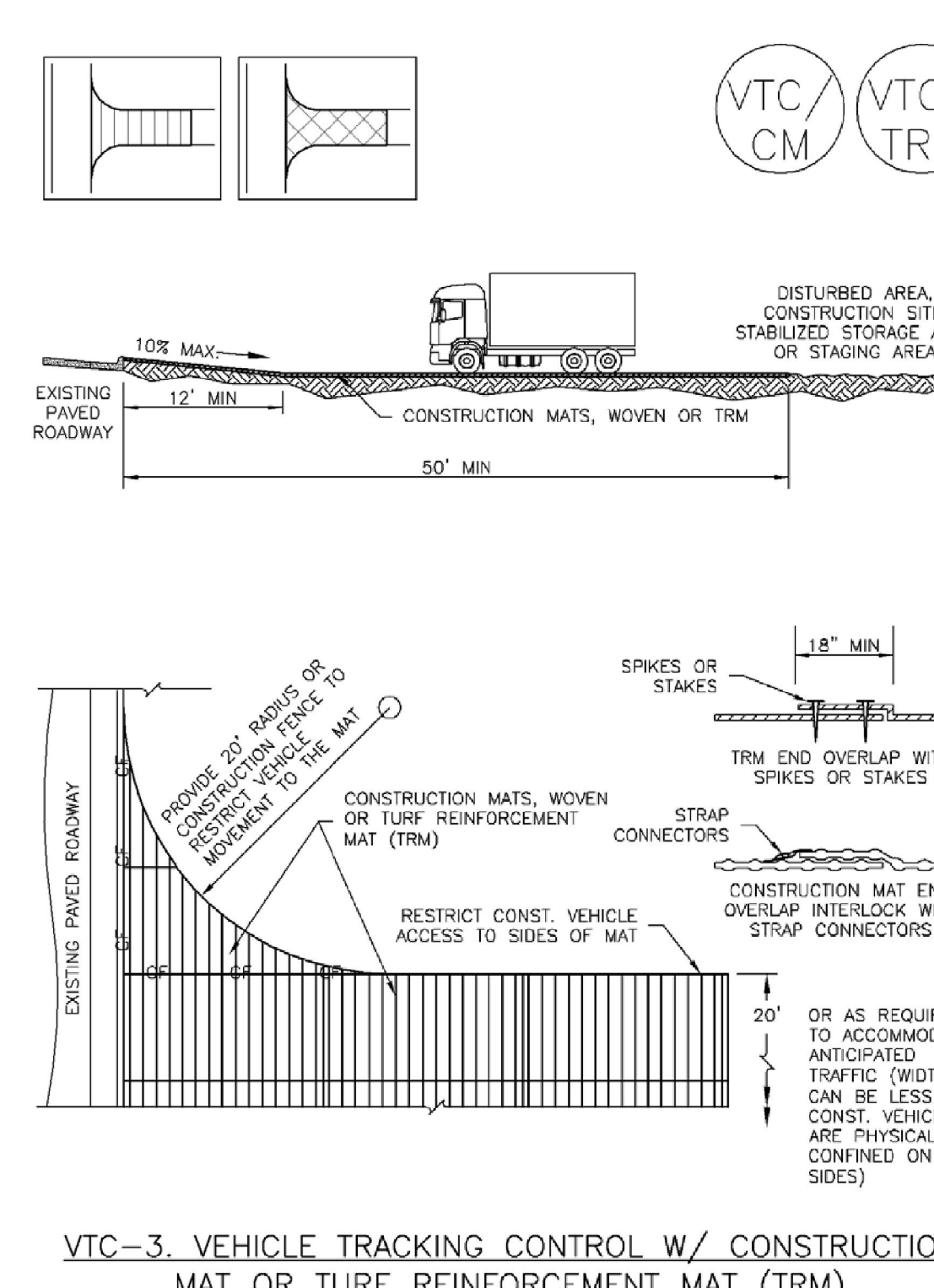
**SM-4**



November 2010 Urban Drainage and Flood Control District  
Urban Storm Drainage Criteria Manual Volume 3 VTC-3

**Vehicle Tracking Control (VTC)**

**SM-4**



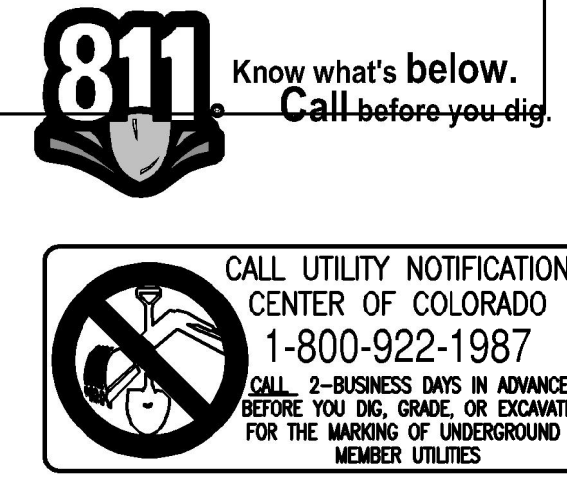
November 2010 Urban Drainage and Flood Control District  
Urban Storm Drainage Criteria Manual Volume 3 VTC-5



**CONSTRUCTION DOCUMENTS**

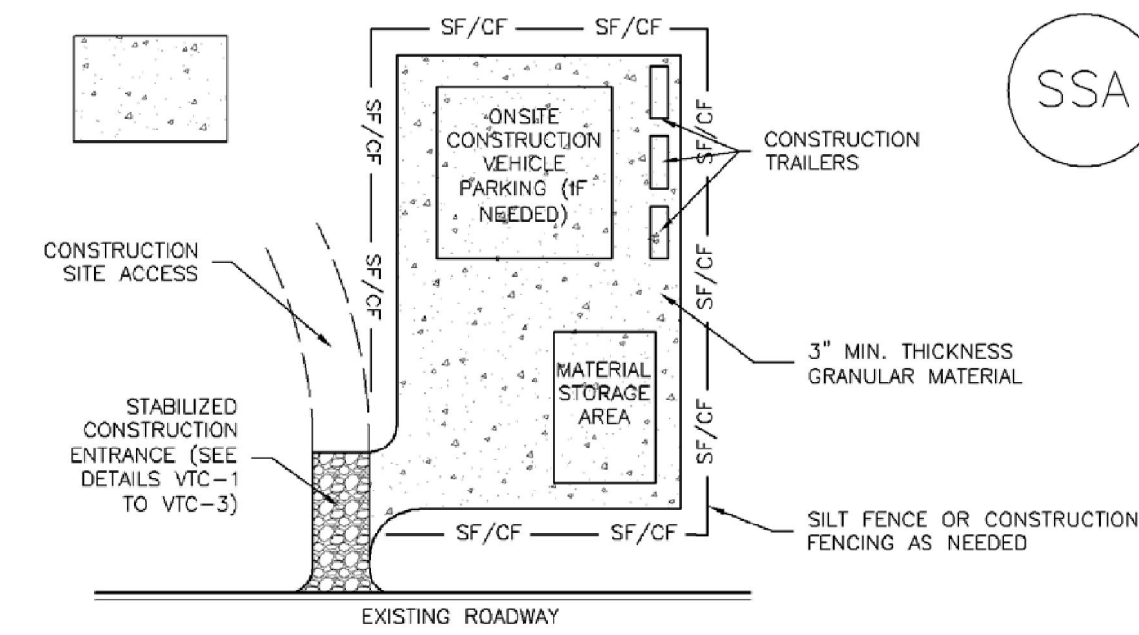
Drawn: JAR  
Checked: EUG  
Issued: 30 March 2022  
Revised: 19 January 2023

**Area Key Plan**



**Stabilized Staging Area (SSA)**

**SM-6**



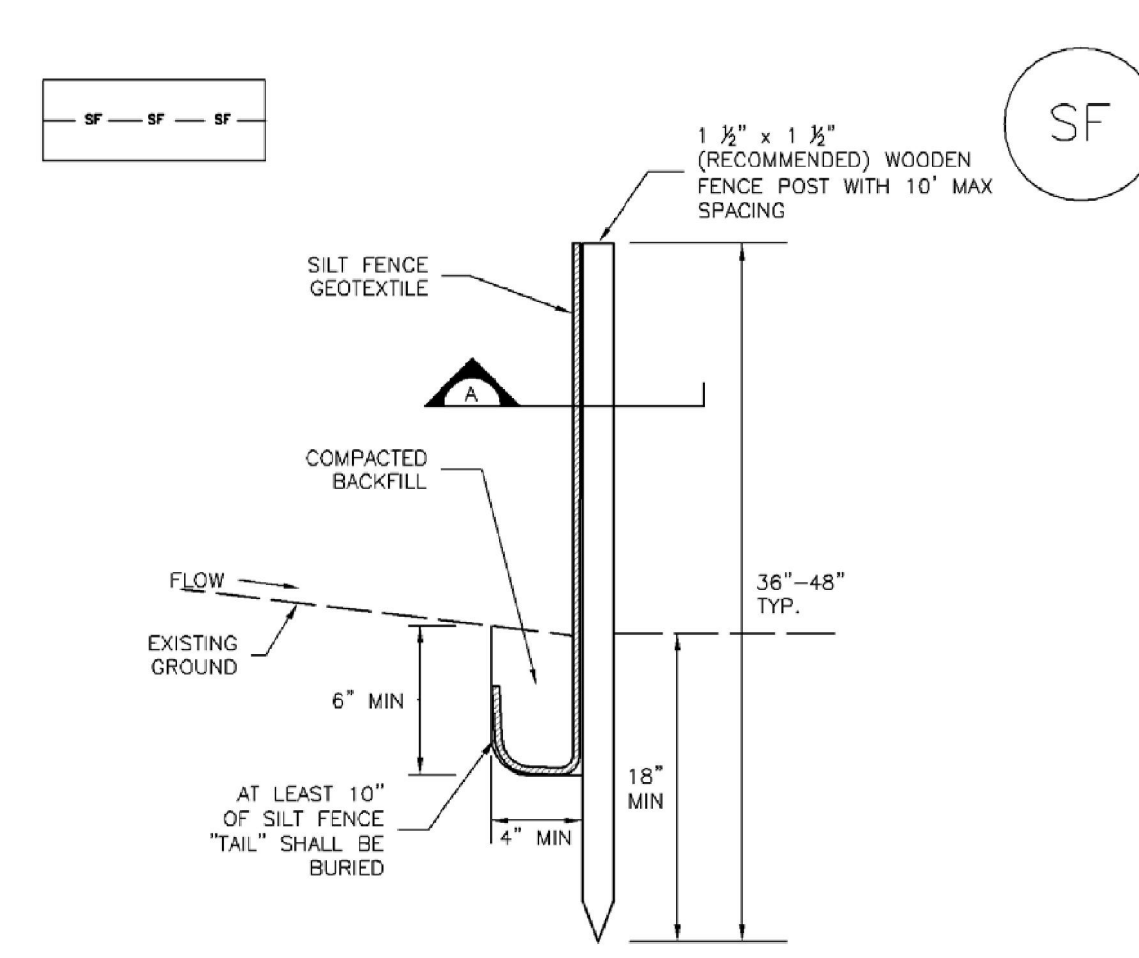
**SSA-1. STABILIZED STAGING AREA**

- STABILIZED STAGING AREA INSTALLATION NOTES**
- SEE PLAN VIEW FOR:
    - LOCATION OF STAGING AREA(S).
    - CONTRACTOR MAY ADJUST LOCATION AND SIZE OF STAGING AREA WITH APPROVAL FROM THE LOCAL JURISDICTION.
  - STABILIZED STAGING AREA SHOULD BE APPROPRIATE FOR THE NEEDS OF THE SITE. OVERSIZING RESULTS IN A LARGER AREA TO STABILIZE FOLLOWING CONSTRUCTION.
  - STAGING AREA SHALL BE STABILIZED PRIOR TO OTHER OPERATIONS ON THE SITE.
  - THE STABILIZED STAGING AREA SHALL CONSIST OF A MINIMUM 3" THICK GRANULAR MATERIAL.
  - UNLESS OTHERWISE SPECIFIED BY LOCAL JURISDICTION, ROCK SHALL CONSIST OF DOT SECT. #703, ASTM #4 COARSE AGGREGATE OR 6" (MINUS) ROCK.
  - ADDITIONAL PERIMETER BMPs MAY BE REQUIRED INCLUDING BUT NOT LIMITED TO SILT FENCE AND CONSTRUCTION FENCING.

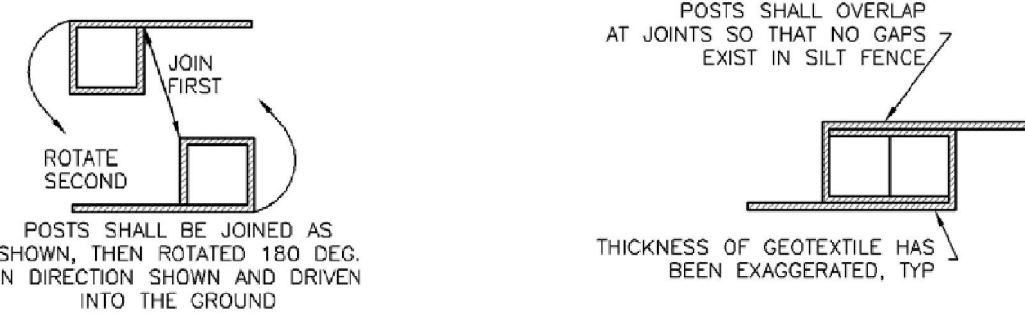
- STABILIZED STAGING AREA MAINTENANCE NOTES**
- INSPECT BMPs EACH WORKDAY, AND MAINTAIN THEM IN EFFECTIVE OPERATING CONDITION. MAINTENANCE OF BMPs SHOULD BE PROACTIVE, NOT REACTIVE. INSPECT BMPs AS SOON AS POSSIBLE (AND ALWAYS WITHIN 24 HOURS) FOLLOWING A STORM THAT CAUSES SURFACE EROSION, AND PERFORM NECESSARY MAINTENANCE.
  - FREQUENT OBSERVATIONS AND MAINTENANCE ARE NECESSARY TO MAINTAIN BMPs IN EFFECTIVE OPERATING CONDITION. INSPECTIONS AND CORRECTIVE MEASURES SHOULD BE DOCUMENTED THOROUGHLY.
  - WHERE BMPs HAVE FAILED, REPAIR OR REPLACEMENT SHOULD BE INITIATED UPON DISCOVERY OF THE FAILURE.
  - ROCK SHALL BE REPLIFIED OR REGRASSED AS NECESSARY IF RUTTING OCCURS OR UNDERLYING SUBGRADE BECOMES EXPOSED.

**Silt Fence (SF)**

**SC-1**



**SILT FENCE**

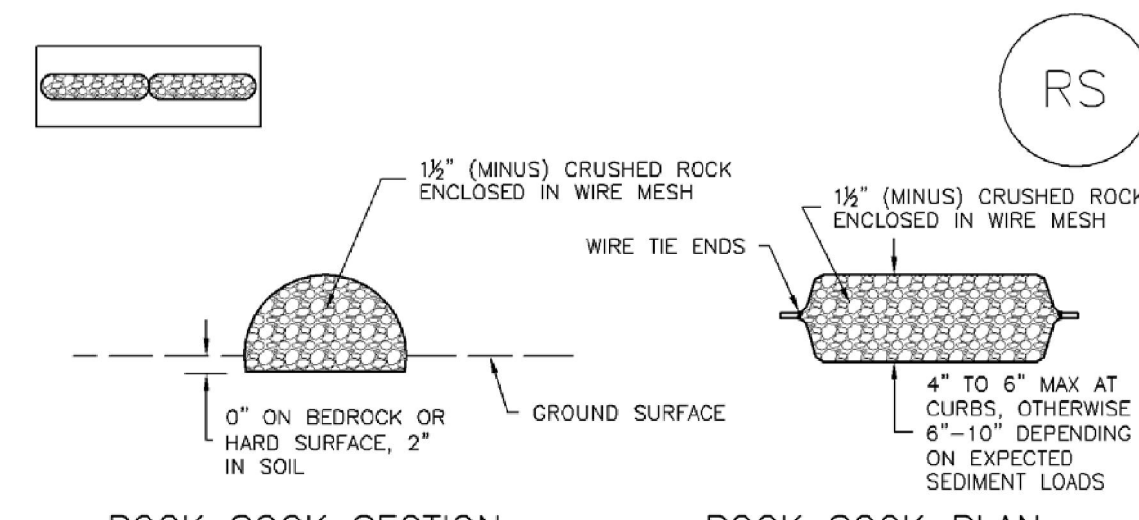


**SECTION A**

**SF-1. SILT FENCE**

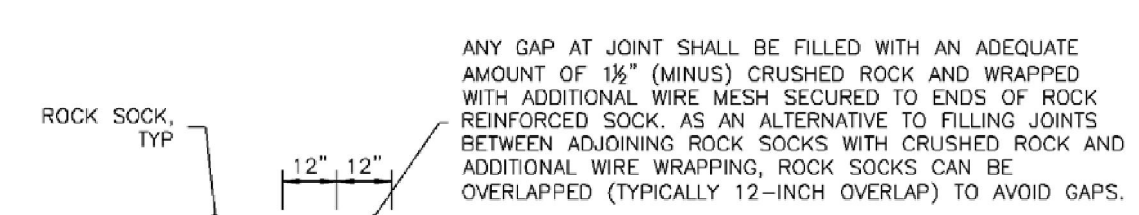
**SC-5**

**Rock Sock (RS)**



**ROCK SOCK SECTION**

**ROCK SOCK PLAN**



**ROCK SOCK JOINTING**

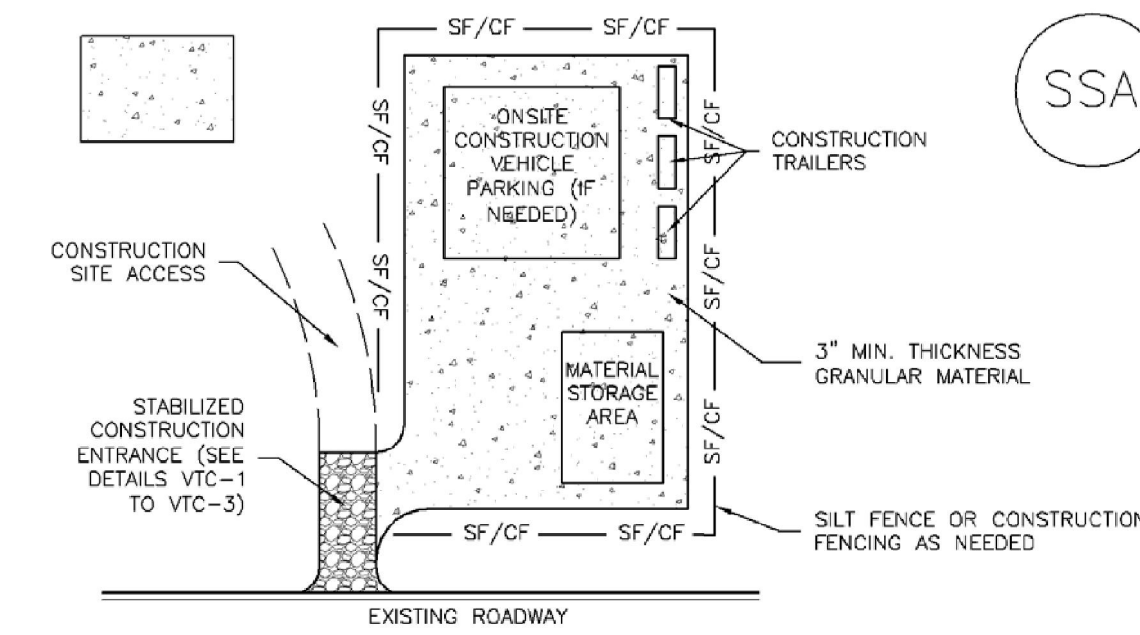
GRADATION TABLE	
SIÉVE SIZE	MASS PERCENT PASSING SQUARE MESH SIEVES
NO. 4	100
2"	90 - 100
1 1/2"	20 - 55
3/4"	0 - 15
3/8"	0 - 5

- ROCK SOCK INSTALLATION NOTES**
- SEE PLAN VIEW FOR:
    - LOCATION(S) OF ROCK SOCKS.
  - CRUSHED ROCK SHALL BE 1/2" (MINUS) IN SIZE WITH A FRACTURED FACE (ALL SIDES) AND SHALL COMPLY WITH GRADATION SHOWN ON THIS SHEET (1/2" MINUS).
  - WIRE MESH SHALL BE FABRICATED OF 10 GAUGE POLYURETHANE MESH, OR EQUIVALENT, WITH A MAXIMUM OPENING OF 1/2". RECOMMENDED MINIMUM ROLL WIDTH OF 48".
  - WIRE MESH SHALL BE SECURED USING "HOO RINGS" OR WIRE TIES AT 6" CENTERS ALONG ALL JOINTS AND AT 2" CENTERS ON ENDS OF SOCKS.
  - SOME MUNICIPALITIES MAY ALLOW THE USE OF FILTER FABRIC AS AN ALTERNATIVE TO WIRE MESH FOR THE ROCK ENCLOSURE.

**RS-1. ROCK SOCK PERIMETER CONTROL**

**Stabilized Staging Area (SSA)**

**SM-6**



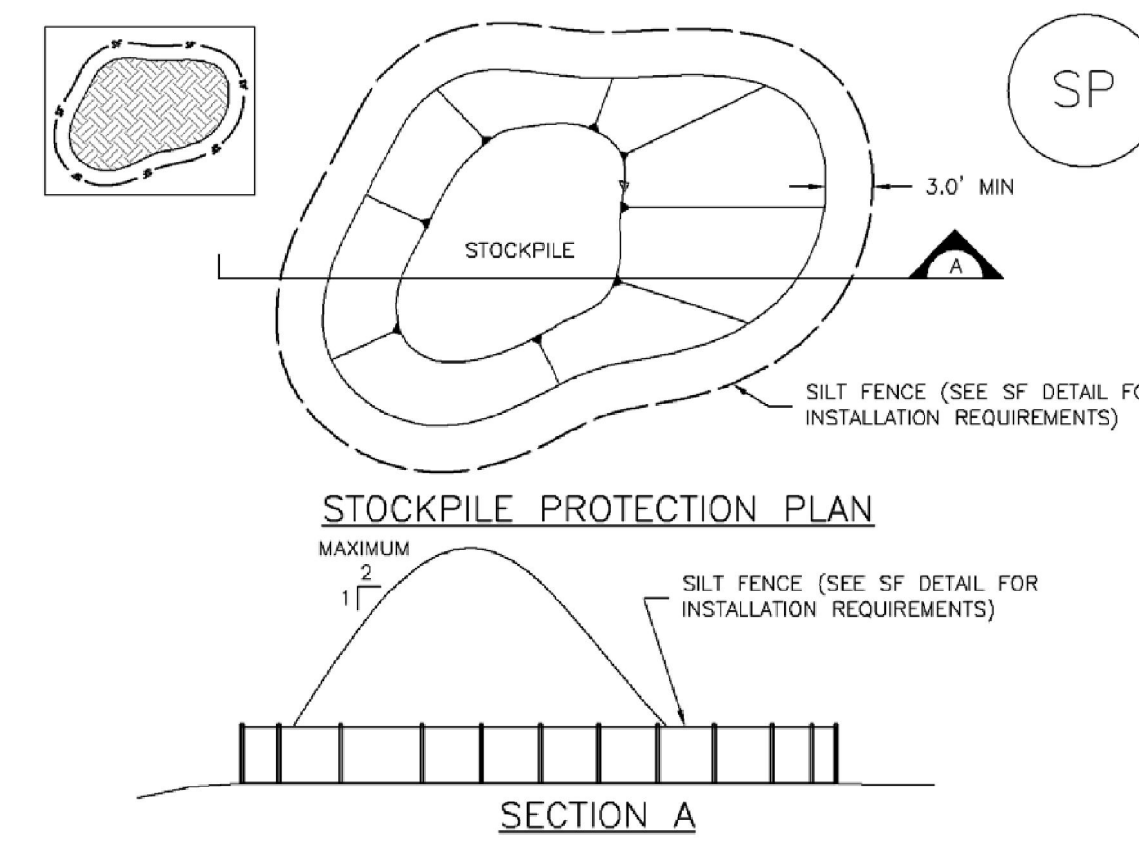
**SSA-1. STABILIZED STAGING AREA**

- STABILIZED STAGING AREA INSTALLATION NOTES**
- SEE PLAN VIEW FOR:
    - LOCATION OF STAGING AREA(S).
    - CONTRACTOR MAY ADJUST LOCATION AND SIZE OF STAGING AREA WITH APPROVAL FROM THE LOCAL JURISDICTION.
  - STABILIZED STAGING AREA SHOULD BE APPROPRIATE FOR THE NEEDS OF THE SITE. OVERSIZING RESULTS IN A LARGER AREA TO STABILIZE FOLLOWING CONSTRUCTION.
  - STAGING AREA SHALL BE STABILIZED PRIOR TO OTHER OPERATIONS ON THE SITE.
  - THE STABILIZED STAGING AREA SHALL CONSIST OF A MINIMUM 3" THICK GRANULAR MATERIAL.
  - UNLESS OTHERWISE SPECIFIED BY LOCAL JURISDICTION, ROCK SHALL CONSIST OF DOT SECT. #703, ASTM #4 COARSE AGGREGATE OR 6" (MINUS) ROCK.
  - ADDITIONAL PERIMETER BMPs MAY BE REQUIRED INCLUDING BUT NOT LIMITED TO SILT FENCE AND CONSTRUCTION FENCING.

- STABILIZED STAGING AREA MAINTENANCE NOTES**
- INSPECT BMPs EACH WORKDAY, AND MAINTAIN THEM IN EFFECTIVE OPERATING CONDITION. MAINTENANCE OF BMPs SHOULD BE PROACTIVE, NOT REACTIVE. INSPECT BMPs AS SOON AS POSSIBLE (AND ALWAYS WITHIN 24 HOURS) FOLLOWING A STORM THAT CAUSES SURFACE EROSION, AND PERFORM NECESSARY MAINTENANCE.
  - FREQUENT OBSERVATIONS AND MAINTENANCE ARE NECESSARY TO MAINTAIN BMPs IN EFFECTIVE OPERATING CONDITION. INSPECTIONS AND CORRECTIVE MEASURES SHOULD BE DOCUMENTED THOROUGHLY.
  - WHERE BMPs HAVE FAILED, REPAIR OR REPLACEMENT SHOULD BE INITIATED UPON DISCOVERY OF THE FAILURE.
  - ROCK SHALL BE REPLIFIED OR REGRASSED AS NECESSARY IF RUTTING OCCURS OR UNDERLYING SUBGRADE BECOMES EXPOSED.

**Stockpile Management (SP)**

**MM-2**



**STOCKPILE PROTECTION PLAN**

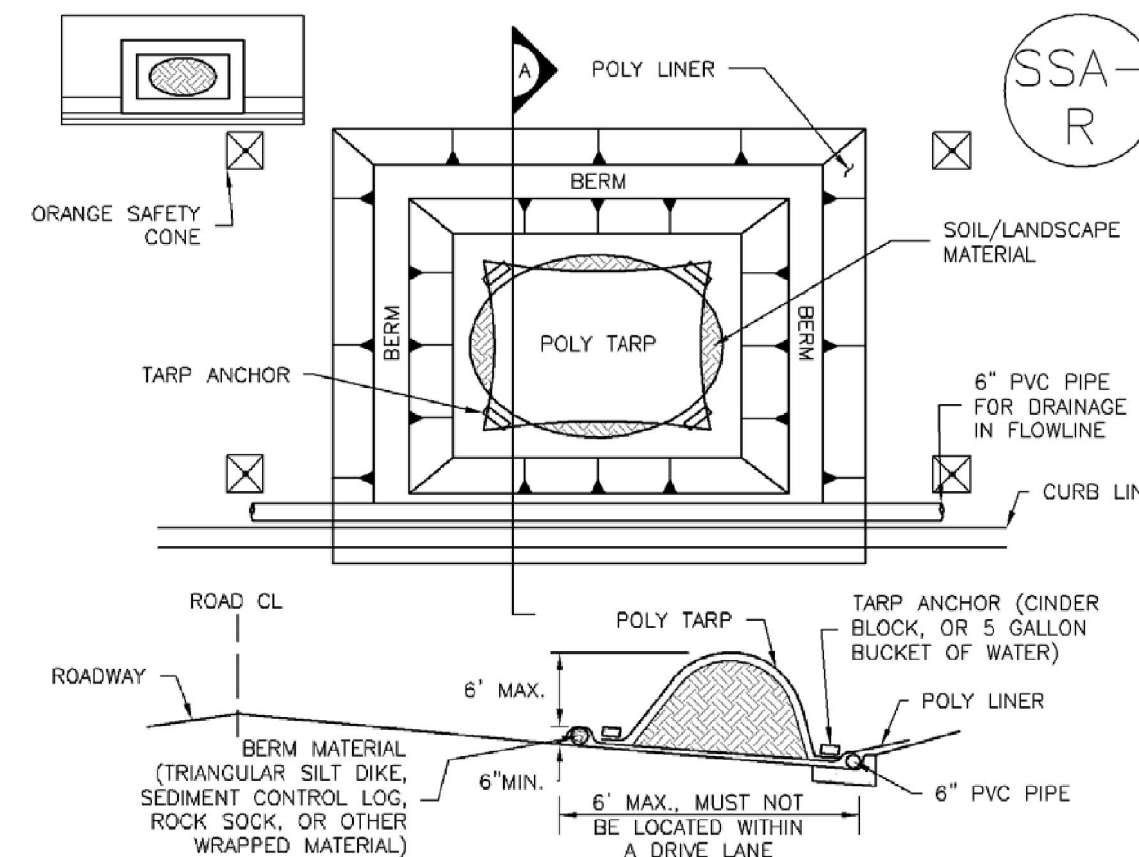
**SECTION A**

**SP-1. STOCKPILE PROTECTION**

- STOCKPILE PROTECTION INSTALLATION NOTES**
- SEE PLAN VIEW FOR:
    - TYPE OF STOCKPILE PROTECTION.
  - INSTALL PERIMETER CONTROLS IN ACCORDANCE WITH THEIR RESPECTIVE DESIGN DETAILS. SILT FENCE IS SHOWN IN THE STOCKPILE PROTECTION DETAILS; HOWEVER, OTHER TYPES OF PERIMETER CONTROLS INCLUDING SEDIMENT CONTROL LOGS OR ROCK SOCKS MAY BE SUITABLE IN SOME CIRCUMSTANCES. CONSIDERATIONS FOR DETERMINING THE APPROPRIATE TYPE OF PERIMETER CONTROL FOR A STOCKPILE INCLUDE WHETHER THE STOCKPILE IS LOCATED ON A PERVIOUS OR IMPVIOUS SURFACE, THE RELATIVE HEIGHTS OF THE PERIMETER CONTROL AND STOCKPILE, THE ABILITY OF THE PERIMETER CONTROL TO CONTAIN THE STOCKPILE WITHOUT FAILING IN THE EVENT THAT MATERIAL FROM THE STOCKPILE SHIFTS OR SLUMPS AGAINST THE PERIMETER, AND OTHER FACTORS.
  - STABILIZE THE STOCKPILE SURFACE WITH SURFACE ROUGHENING, TEMPORARY SEEDING AND MULCHING, EROSION CONTROL BLANKETS, OR SOIL BINDERS. SOLID STOCKPILES FOR AN EXTENDED PERIOD (TYPICALLY FOR MORE THAN 60 DAYS) SHOULD BE SEEDED AND MULCHED WITH A TEMPORARY GRASS COVER ONCE THE STOCKPILE IS PLACED (TYPICALLY WITHIN 14 DAYS). USE OF MULCH ONLY OR A SOIL BINDER IS ACCEPTABLE IF THE STOCKPILE WILL BE IN PLACE FOR A MORE LIMITED TIME PERIOD (TYPICALLY 30-60 DAYS).
  - FOR TEMPORARY STOCKPILES ON THE INTERIOR PORTION OF A CONSTRUCTION SITE, WHERE OTHER DOWNGRADIENT CONTROLS, INCLUDING PERIMETER CONTROL, ARE IN PLACE, STOCKPILE PERIMETER CONTROLS MAY NOT BE REQUIRED.

**Stockpile Management (SP)**

**MM-2**

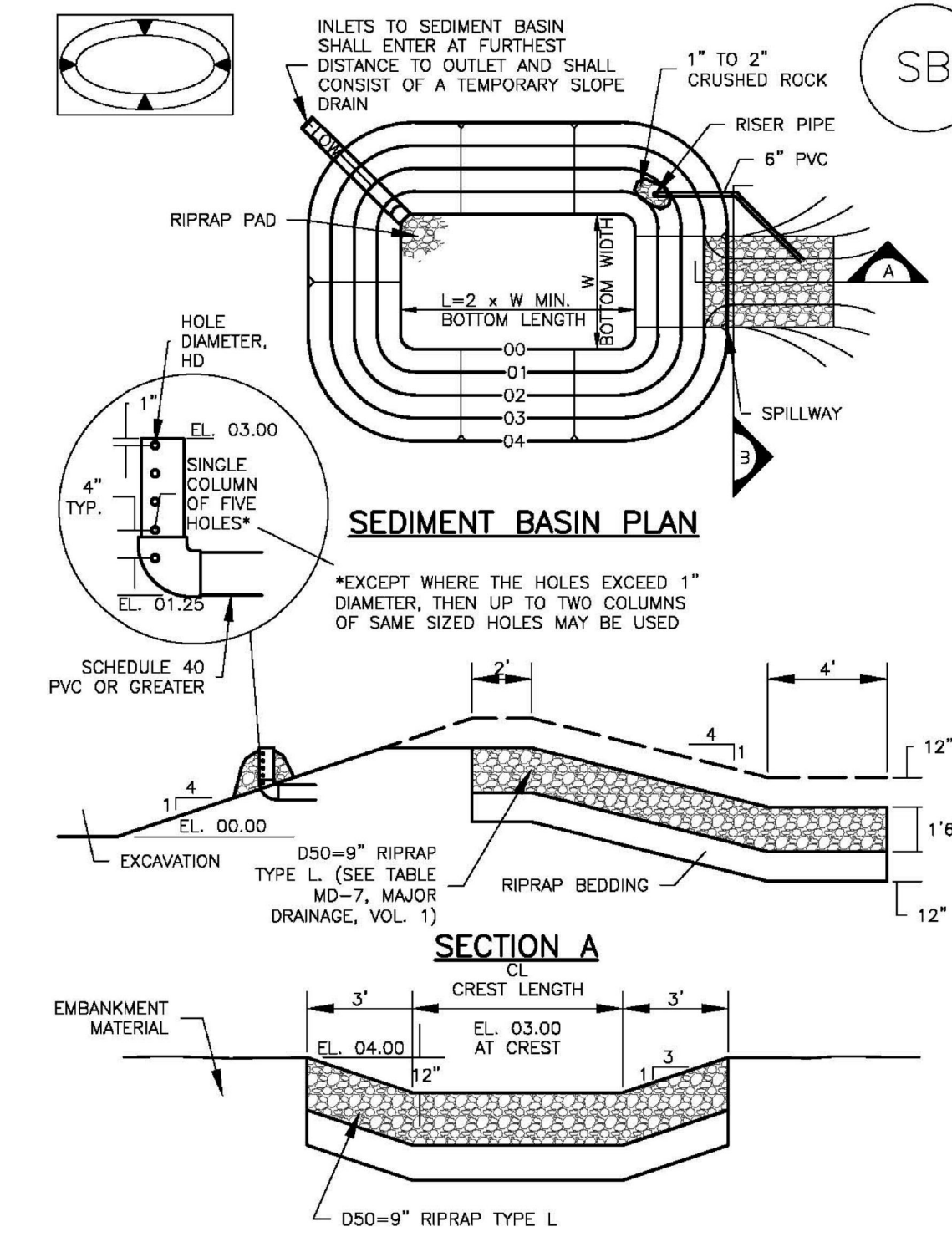


**SP-2. MATERIALS STAGING IN ROADWAY**

- MATERIALS STAGING IN ROADWAYS INSTALLATION NOTES**
- SEE PLAN VIEW FOR:
    - LOCATION OF MATERIAL STAGING AREA(S).
    - CONTRACTOR MAY ADJUST LOCATION AND SIZE OF STAGING AREA WITH APPROVAL FROM THE LOCAL JURISDICTION.
  - FEATURE MUST BE INSTALLED PRIOR TO EXCAVATION, EARTHWORK OR DELIVERY OF MATERIALS.
  - MATERIALS MUST BE STATIONED ON THE POLY LINER, ANY INCIDENTAL MATERIALS DEPOSITED ON PAVED SECTION OR ALONG CURB LINE MUST BE CLEANED UP PROMPTLY.
  - POLY LINER AND TARP COVER SHOULD BE OF SIGNIFICANT THICKNESS TO PREVENT DAMAGE OR LOSS OF INTEGRITY.
  - SAND BAGS MAY BE SUBSTITUTED TO ANCHOR THE COVER TARP OR PROVIDE BERMING UNDER THE BASE LINER.
  - FEATURE IS NOT INTENDED FOR USE WITH WET MATERIAL THAT WILL BE DRAINING AND/OR SPREADING OUT ON THE POLY LINER OR FOR SOLIDIFICATION MATERIALS.
  - THIS FEATURE CAN BE USED FOR:
    - UTILITY REPAIRS.
    - WHEN OTHER STAGING LOCATIONS AND OPTIONS ARE LIMITED.
    - OTHER LIMITED APPLICATION AND SHORT DURATION STAGING.

**Sediment Basin (SB)**

**SC-7**



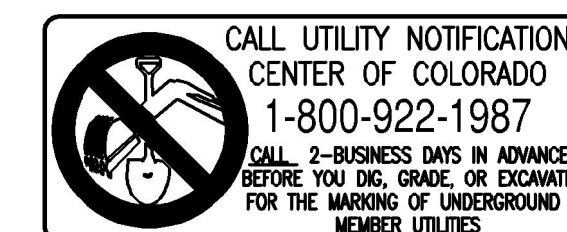
**SECTION A**

**SC-7**

**Sediment Basin (SB)**

TABLE SB-1. SIZING INFORMATION FOR STANDARD SEDIMENT BASIN			
Upstream Drainage Area (rounded to nearest acre), (ac)	Basin Bottom Width (W), (ft)	Spillway Crest Length (CL), (ft)	Hole Diameter (HD), (in)
1	12 1/2	2	1 1/2
2	21	3	1 3/4
3	28	5	2
4	33 1/2	6	2 1/4
5	38 1/2	8	2 1/2
6	43	9	2 3/4
7	47 1/2	11	2 3/4
8	51	12	3
10	58 1/2	15	3 1/2
11	61	16	3 3/4
12	64	18	3 3/4
14	70 1/2	21	4 1/4
15	73 1/2	22	4 1/4

- SEDIMENT BASIN INSTALLATION NOTES**
- SEE PLAN VIEW FOR:
    - LOCATION OF SEDIMENT BASIN.
    - TYPE OF BASIN (STANDARD BASIN OR NONSTANDARD BASIN).
    - FOR STANDARD BASIN, BOTTOM WIDTH W, CREST LENGTH CL, AND HOLE DIAMETER, HD.
    - FOR NONSTANDARD BASIN, SEE CONSTRUCTION DRAWINGS FOR DESIGN OF BASIN INCLUDING RISER HEIGHT H, NUMBER OF COLUMNS N, HOLE DIAMETER HD AND PIPE DIAMETER D.
  - FOR STANDARD BASIN, BOTTOM DIMENSION MAY BE MODIFIED AS LONG AS BOTTOM AREA IS NOT REDUCED.
  - SEDIMENT BASINS SHALL BE INSTALLED PRIOR TO ANY OTHER LAND-DISTURBING ACTIVITY THAT RELIES ON ON BASINS AS A STORMWATER CONTROL.
  - EMBARMENT MATERIAL SHALL CONSIST OF SOIL FREE OF DEBRIS, ORGANIC MATERIAL, AND ROCKS OR CONCRETE GREATER THAN 3 INCHES AND SHALL HAVE A MINIMUM OF 15 PERCENT BY WEIGHT PASSING THE NO. 200 SIEVE.
  - EMBARMENT MATERIAL SHALL BE COMPACTED TO AT LEAST 95 PERCENT OF MAXIMUM DENSITY IN ACCORDANCE WITH ASTM D998.
  - PIPE SCH 40 OR GREATER SHALL BE USED.
  - THE DETAILS SHOWN ON THESE SHEETS PERTAIN TO STANDARD SEDIMENT BASIN(S) FOR DRAINAGE AREAS LESS THAN 15 ACRES. SEE CONSTRUCTION DRAWINGS FOR EMBARMENT STORAGE VOLUME, SPILLWAY, OUTLET, AND OUTLET PROTECTION DETAILS FOR ANY SEDIMENT BASIN(S) THAT HAVE BEEN INDIVIDUALLY DESIGNED FOR DRAINAGE AREAS LARGER THAN 15 ACRES.



**CONSTRUCTION DOCUMENTS**

Drawn: JAR  
Checked: EUG  
Issued: 30 March 2022  
Revised: 19 January 2023

**Area Key Plan**

**Temporary and Permanent Seeding (TS/PS) EC-2**

Seeding dates for the highest success probability of perennial species along the Front Range are generally in the spring from April through early May and in the fall after the first of September until the ground freezes. If the area is irrigated, seeding may occur in summer months, as well. See Table TS/PS-3 for appropriate seeding dates.

**Table TS/PS-1. Minimum Drill Seeding Rates for Various Temporary Annual Grasses**

Species <sup>a</sup> (Common name)	Growth Season <sup>b</sup>	Pounds of Pure Live Seed (PLS)/acre <sup>c</sup>	Planting Depth (inches)
1. Oats	Cool	35-50	1-2
2. Spring wheat	Cool	25-35	1-2
3. Spring barley	Cool	25-35	1-2
4. Annual ryegrass	Cool	10-15	½
5. Millet	Warm	3-15	½-¾
6. Sudangrass	Warm	5-10	½-¾
7. Sorghum	Warm	5-10	½-¾
8. Winter wheat	Cool	20-35	1-2
9. Winter barley	Cool	20-35	1-2
10. Winter rye	Cool	20-35	1-2
11. Triticale	Cool	25-40	1-2

<sup>a</sup> Successful seeding of annual grass resulting in adequate plant growth will usually produce enough dead-plant residue to provide protection from wind and water erosion for an additional year. This assumes that the cover is not disturbed or moved closer than 8 inches.

Hydraulic seeding may be substituted for drilling only where slopes are steeper than 3:1 or where access limitations exist. When hydraulic seeding is used, hydraulic mulching should be applied as a separate operation, when practical, to prevent the seeds from being encapsulated in the mulch.

<sup>b</sup> See Table TS/PS-3 for seeding dates. Irrigation, if consistently applied, may extend the use of cool season species during the summer months.

<sup>c</sup> Seeding rates should be doubled if seed is broadcast, or increased by 50 percent if done using a Brillion Drill or by hydraulic seeding.

**EC-2 Temporary and Permanent Seeding (TS/PS)**

**Table TS/PS-2. Minimum Drill Seeding Rates for Perennial Grasses**

Common Name	Botanical Name	Growth Season <sup>b</sup>	Growth Form	Seeds/Pound	Pounds of PLS/acre
<b>Alkali Soil Seed Mix</b>					
Alkali suctent	<i>Sporobolus airoides</i>	Cool	Bunch	1,750,000	0.25
Bain wildrice	<i>Elymus cinereus</i>	Cool	Bunch	165,000	2.5
Sodar streambank wheatgrass	<i>Agropyron riparium 'Sodar'</i>	Cool	Sod	170,000	2.5
Jose tall wheatgrass	<i>Agropyron elongatum 'Jose'</i>	Cool	Bunch	79,000	7.0
Arriba western wheatgrass	<i>Agropyron smithii 'Arriba'</i>	Cool	Sod	110,000	5.5
<b>Total</b>					<b>17.75</b>
<b>Fertile Loamy Soil Seed Mix</b>					
Ephraim crested wheatgrass	<i>Agropyron cristatum 'Ephraim'</i>	Cool	Sod	175,000	2.0
Dural hard fescue	<i>Festuca ovina 'durtascula'</i>	Cool	Bunch	565,000	3.0
Lincoln smooth brome	<i>Bromus inermis leys</i> 'Lincoln'	Cool	Sod	130,000	3.0
Sodar streambank wheatgrass	<i>Agropyron riparium 'Sodar'</i>	Cool	Sod	170,000	2.5
Arriba western wheatgrass	<i>Agropyron smithii 'Arriba'</i>	Cool	Sod	110,000	7.0
<b>Total</b>					<b>15.5</b>
<b>High Water Table Soil Seed Mix</b>					
Meadow fescue	<i>Allopecurus pratensis</i>	Cool	Sod	900,000	0.5
Redtop	<i>Phalaris alba</i>	Warm	Open sod	5,000,000	0.25
Reed canarygrass	<i>Phalaris arundinacea</i>	Cool	Sod	68,000	0.5
Lincoln smooth brome	<i>Bromus inermis leys</i> 'Lincoln'	Cool	Sod	130,000	3.0
Pathfinder switchgrass	<i>Panicum virgatum 'Pathfinder'</i>	Warm	Sod	389,000	1.0
Alkar tall wheatgrass	<i>Agropyron elongatum 'Alkar'</i>	Cool	Bunch	79,000	5.5
<b>Total</b>					<b>10.75</b>
<b>Transition Turf Seed Mix<sup>d</sup></b>					
Ruebens Canadian bluegrass	<i>Poa compressa 'Ruebens'</i>	Cool	Sod	2,500,000	0.5
Dural hard fescue	<i>Festuca ovina 'durtascula'</i>	Cool	Bunch	565,000	1.0
Citation perennial ryegrass	<i>Lolium perenne 'Citation'</i>	Cool	Sod	247,000	3.0
Lincoln smooth brome	<i>Bromus inermis leys</i> 'Lincoln'	Cool	Sod	130,000	3.0
<b>Total</b>					<b>7.5</b>

**Temporary and Permanent Seeding (TS/PS) EC-2**

**Table TS/PS-2. Minimum Drill Seeding Rates for Perennial Grasses (cont.)**

Common Name	Botanical Name	Growth Season <sup>b</sup>	Growth Form	Seeds/Pound	Pounds of PLS/acre
<b>Sandy Soil Seed Mix</b>					
Blue grama	<i>Bouteloua gracilis</i>	Warm	Sod-forming bunchgrass	825,000	0.5
Camper little bluestem	<i>Schizachyrium scoparium 'Camper'</i>	Warm	Bunch	240,000	1.0
Prairie sandreed	<i>Calamovilfa longifolia</i>	Warm	Open sod	274,000	1.0
Sand dropseed	<i>Sporobolus cryptandrus</i>	Cool	Bunch	5,298,000	0.25
Vaughn sideouts grama	<i>Bouteloua curtipendula 'Vaughn'</i>	Warm	Sod	191,000	2.0
Arriba western wheatgrass	<i>Agropyron smithii 'Arriba'</i>	Cool	Sod	110,000	5.5
<b>Total</b>					<b>10.25</b>
<b>Heavy Clay, Rocky Foothill Seed Mix</b>					
Ephraim crested wheatgrass <sup>e</sup>	<i>Agropyron cristatum 'Ephraim'</i>	Cool	Sod	175,000	1.5
Oshe intermediate wheatgrass	<i>Agropyron intermedium 'Oshe'</i>	Cool	Sod	115,000	5.5
Vaughn sideouts grama <sup>f</sup>	<i>Bouteloua curtipendula 'Vaughn'</i>	Warm	Sod	191,000	2.0
Lincoln smooth brome	<i>Bromus inermis leys</i> 'Lincoln'	Cool	Sod	130,000	3.0
Arriba western wheatgrass	<i>Agropyron smithii 'Arriba'</i>	Cool	Sod	110,000	5.5
<b>Total</b>					<b>17.5</b>

<sup>d</sup> All of the above seeding mixes and rates are based on drill seeding followed by crimped straw mulch. These rates should be doubled if seed is broadcast and should be increased by 50 percent if the seeding is done using a Brillion Drill or is applied through hydraulic seeding. Hydraulic seeding may be substituted for drilling only where slopes are steeper than 3:1. If hydraulic seeding is used, hydraulic mulching should be done as a separate operation.

<sup>e</sup> See Table TS/PS-3 for seeding dates.

<sup>f</sup> If site is to be irrigated, the transition turf seed rates should be doubled.

<sup>g</sup> Crested wheatgrass should not be used on slopes steeper than 6:1 to 1V.

<sup>h</sup> Can substitute 0.5 lbs PLS of blue grama for the 2.0 lbs PLS of Vaughn sideouts grama.

**EC-2 Temporary and Permanent Seeding (TS/PS)**

**Table TS/PS-3. Seeding Dates for Annual and Perennial Grasses**

Seeding Dates	Annual Grasses (Numbers in table reference species in Table TS/PS-1)		Perennial Grasses	
	Warm	Cool	Warm	Cool
January 1-March 15			✓	✓
March 16-April 30	4	1,2,3	✓	✓
May 1-May 15	4		✓	
May 16-June 30	4,5,6,7			
July 1-July 15	5,6,7			
July 16-August 31				
September 1-September 30		8,9,10,11		
October 1-December 31			✓	✓

**Mulch**

Cover seeded areas with mulch or an appropriate rolled erosion control product to promote establishment of vegetation. Anchor mulch by crimping, netting or use of a non-toxic tackifier. See the Mulching BMP Fact Sheet for additional guidance.

**Maintenance and Removal**

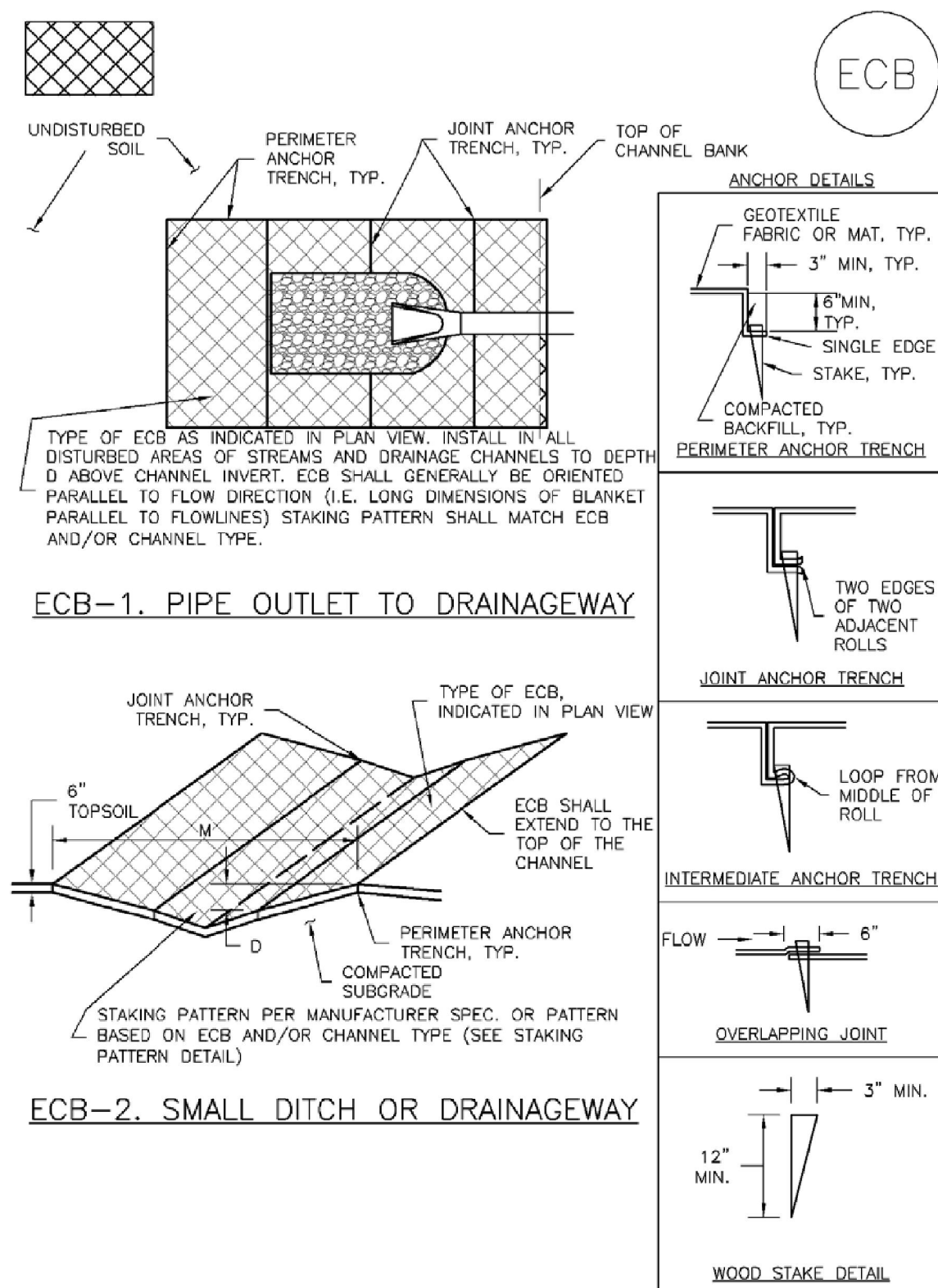
Monitor and observe seeded areas to identify areas of poor growth or areas that fail to germinate. Reseed and mulch these areas, as needed.

An area that has been permanently seeded should have a good stand of vegetation within one growing season if irrigated and within three growing seasons without irrigation in Colorado. Reseed portions of the site that fail to germinate or remain bare after the first growing season.

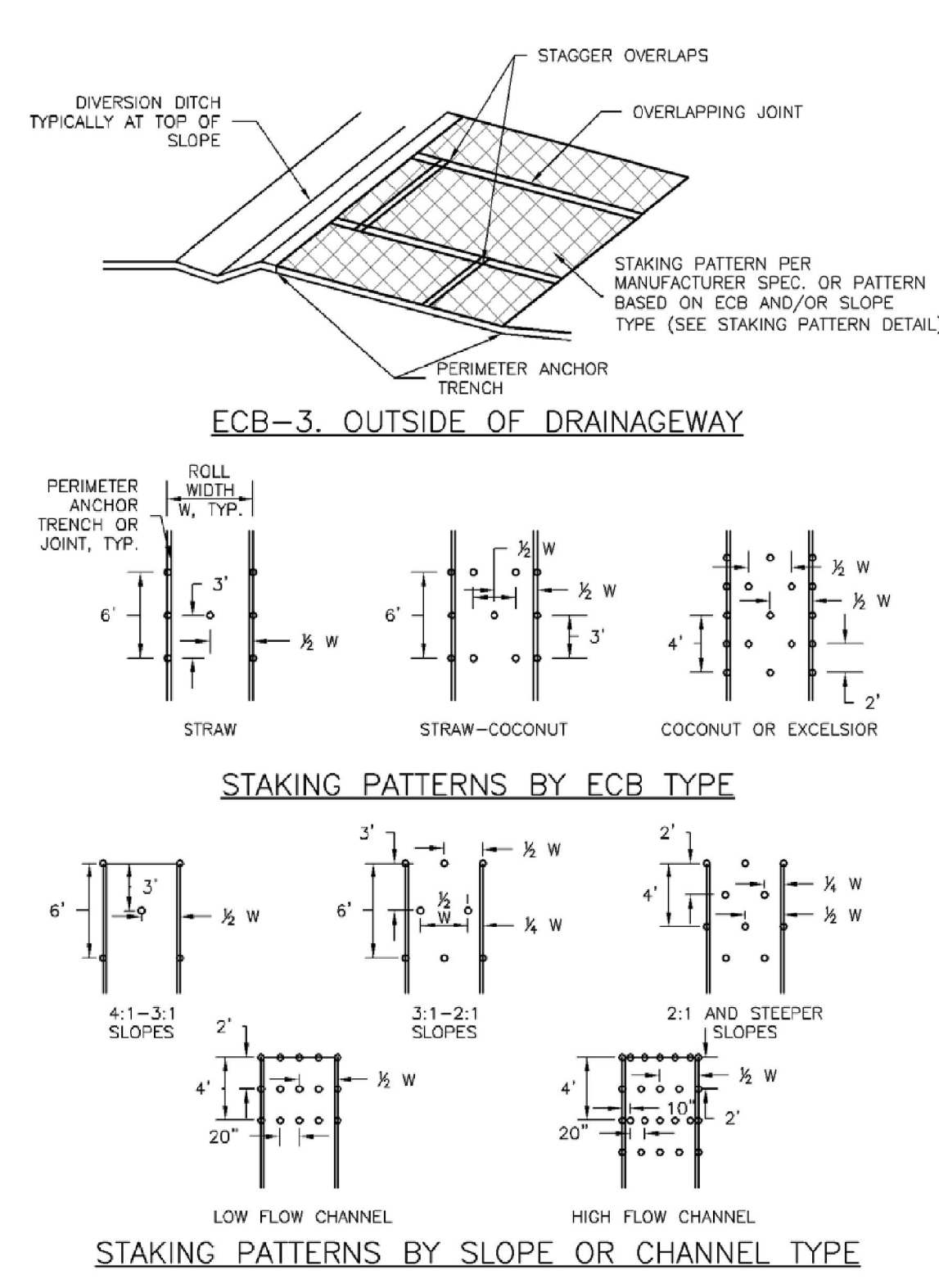
Seeded areas may require irrigation, particularly during extended dry periods. Targeted weed control may also be necessary.

Protect seeded areas from construction equipment and vehicle access.

**EC-6 Rolled Erosion Control Products (RECP) EC-6**



**EC-6 Rolled Erosion Control Products (RECP) EC-6**



**EC-6 Rolled Erosion Control Products (RECP) EC-6**

**EROSION CONTROL BLANKET INSTALLATION NOTES**

- SEE PLAN VIEW FOR:
  - LOCATION OF ECB.
  - TYPE OF ECB (STRAW, STRAW-COCOONUT, COCONUT, OR EXCELSIOR).
  - AREA, A, IN SQUARE YARDS OF EACH TYPE OF ECB.
- 100% NATURAL AND BIODEGRADABLE MATERIALS ARE PREFERRED FOR RECPs, ALTHOUGH SOME JURISDICTIONS MAY ALLOW OTHER MATERIALS IN SOME APPLICATIONS.
- IN AREAS WHERE ECBs ARE SHOWN ON THE PLANS, THE PERMITTEE SHALL PLACE TOPSOIL AND PERFORM FINAL GRADING, SURFACE PREPARATION, AND SEEDING AND MULCHING. SUBGRADE SHALL BE SMOOTH AND MOST PREFER TO ECB INSTALLATION AND THE ECB SHALL BE IN FULL CONTACT WITH SUBGRADE. NO GAPS OR VOIDS SHALL EXIST UNDER THE BLANKET.
- PERIMETER ANCHOR TRENCH SHALL BE USED ALONG THE OUTSIDE PERIMETER OF ALL BLANKET AREAS.
- JOINT ANCHOR TRENCH SHALL BE USED TO JOIN ROLLS OF ECBs TOGETHER (LONGITUDINALLY AND TRANSVERSELY) FOR ALL ECBs EXCEPT STRAW WHICH MAY USE AN OVERLAPPING JOINT.
- INTERMEDIATE ANCHOR TRENCH SHALL BE USED AT SPACING OF ONE-HALF ROLL LENGTH FOR COCONUT AND EXCELSIOR ECBs.
- OVERLAPPING JOINT DETAIL SHALL BE USED TO JOIN ROLLS OF ECBs TOGETHER FOR ECBs ON SLOPES.
- MATERIAL SPECIFICATIONS OF ECBs SHALL CONFORM TO TABLE ECB-1.
- ANY AREAS OF SEEDING AND MULCHING DISTURBED IN THE PROCESS OF INSTALLING ECBs SHALL BE RESEEDED AND MULCHED.
- DETAILS ON DESIGN PLANS FOR MAJOR DRAINAGEWAY STABILIZATION WILL GOVERN IF DIFFERENT FROM THOSE SHOWN HERE.

TYPE	COCONUT CONTENT	STRAW CONTENT	EXCELSIOR CONTENT	RECOMMENDED NETTING**
STRAW*	-	100%	-	DOUBLE/NATURAL
STRAW-COCOONUT	30% MIN	70% MAX	-	DOUBLE/NATURAL
COCONUT	100%	-	-	DOUBLE/NATURAL
EXCELSIOR	-	-	100%	DOUBLE/NATURAL

\*STRAW ROLES MAY ONLY BE USED OUTSIDE OF STREAMS AND DRAINAGE CHANNELS.  
\*\*ALTERNATE NETTING MAY BE ACCEPTABLE IN SOME JURISDICTIONS.

**EC-6 Rolled Erosion Control Products (RECP) EC-6**

**EROSION CONTROL BLANKET MAINTENANCE NOTES**

- INSPECT BMPs EACH WORKDAY, AND MAINTAIN THEM IN EFFECTIVE OPERATING CONDITION. MAINTENANCE OF BMPs SHOULD BE PROACTIVE, NOT REACTIVE. INSPECT BMPs AS SOON AS POSSIBLE (AND ALWAYS WITHIN 24 HOURS) FOLLOWING A STORM THAT CAUSES SURFACE EROSION, AND PERFORM NECESSARY MAINTENANCE.
- FREQUENT OBSERVATIONS AND MAINTENANCE ARE NECESSARY TO MAINTAIN BMPs IN EFFECTIVE OPERATING CONDITION. INSPECTIONS AND CORRECTIVE MEASURES SHOULD BE DOCUMENTED THOROUGHLY.
- WHERE BMPs HAVE FAILED, REPAIR OR REPLACEMENT SHOULD BE INITIATED UPON DISCOVERY OF THE FAILURE.
- ECBs SHALL BE LEFT IN PLACE TO EVENTUALLY BIODEGRADE, UNLESS REQUESTED TO BE REMOVED BY THE LOCAL JURISDICTION.
- ANY ECB PULLED OUT, TORN, OR OTHERWISE DAMAGED SHALL BE REPAIRED OR REINSTALLED. ANY SUBGRADE AREAS BELOW THE GEOTEXTILE THAT HAVE ERODED TO REVEAL A VOID UNDER THE BLANKET, OR THAT REMAIN VOID OF GRASS SHALL BE REPAIRED, RESEEDED AND MULCHED AND THE ECB REINSTALLED.

NOTE: MANY JURISDICTIONS HAVE BMP DETAILS THAT VARY FROM UDFCD STANDARD DETAILS. CONSULT WITH LOCAL JURISDICTIONS AS TO WHICH DETAIL SHOULD BE USED WHEN DIFFERENCES ARE NOTED.

(DETAILS ADAPTED FROM DOUGLAS COUNTY, COLORADO AND TOWN OF PINE, COLORADO, NOT AVAILABLE IN AUTOCAD)



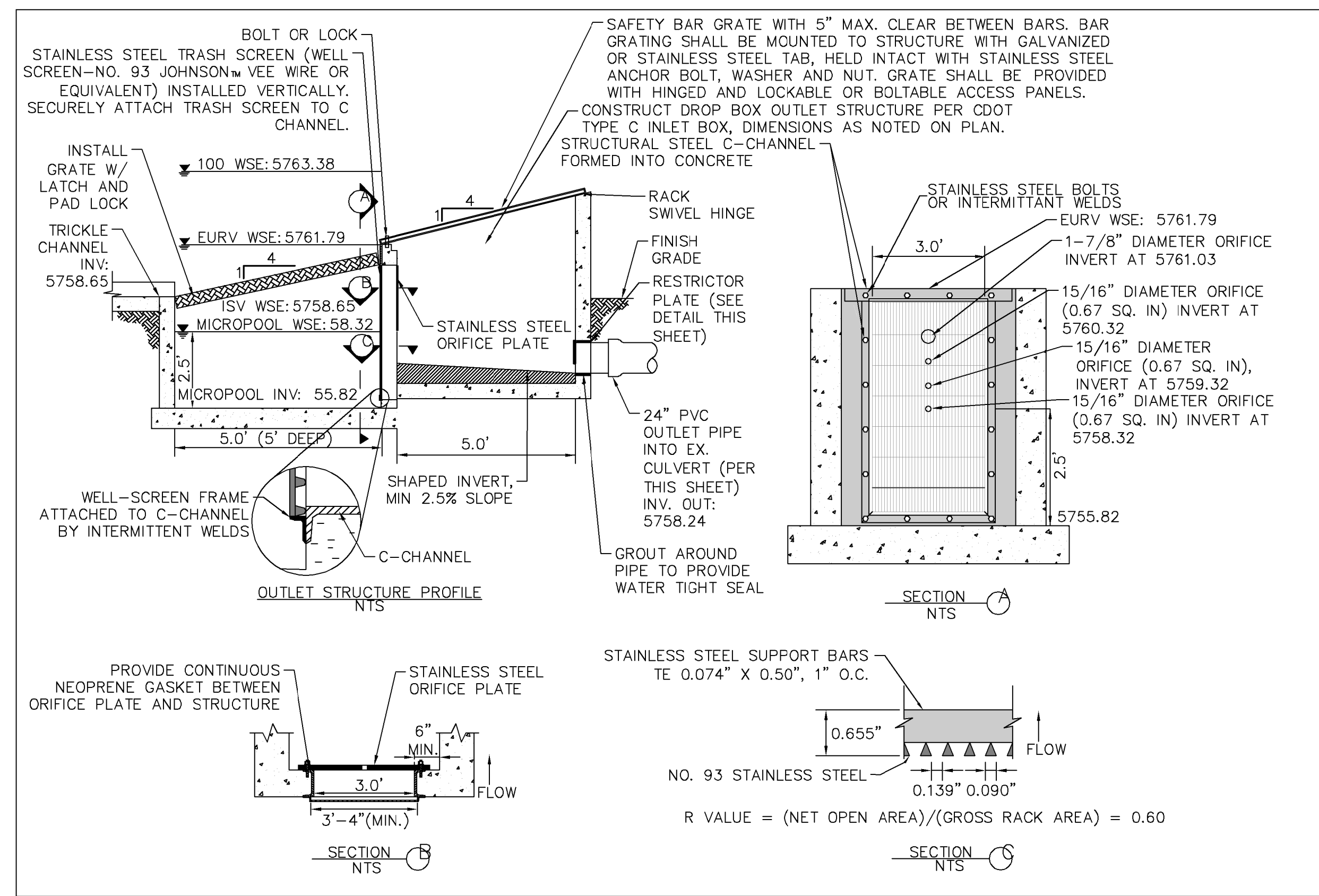
**CONSTRUCTION DOCUMENTS**

Drawn: JAR  
Checked: EUG  
Issued: 30 March 2022  
Revised: 19 January 2023

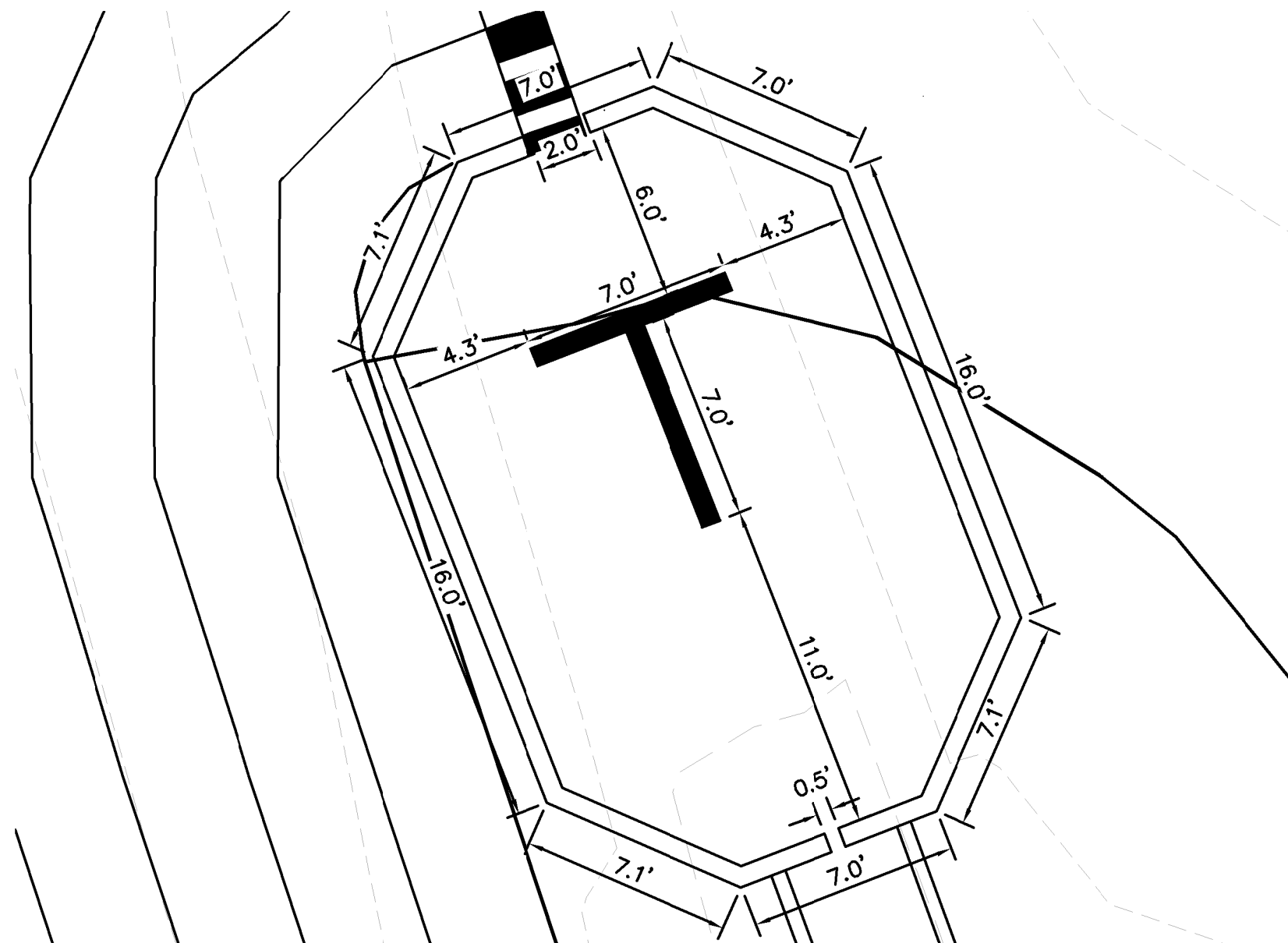
**Area Key Plan**

**GRADING AND EROSION CONTROL DETAILS**

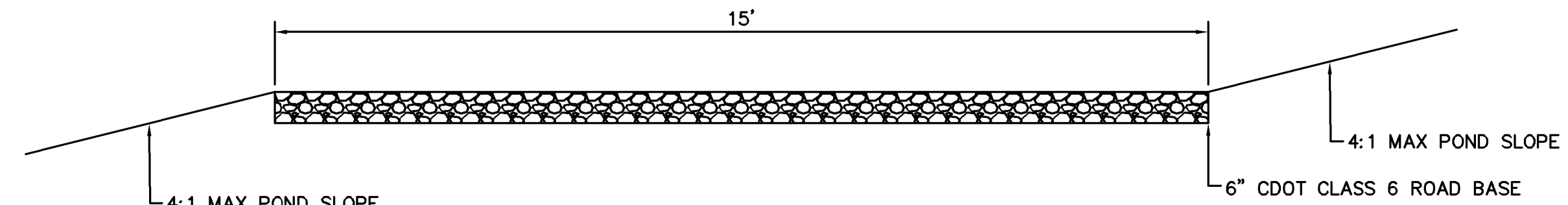
**C8.5**



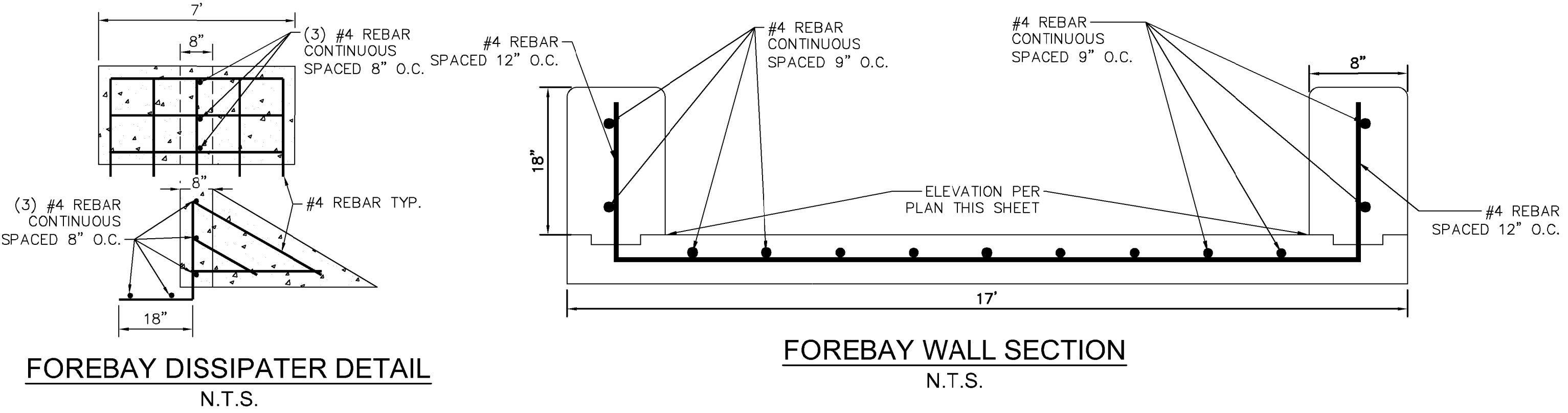
**OUTLET STRUCTURE PROFILE DETAIL**  
N.T.S.



**FOREBAY HEADWALL DIMENSIONS**  
1" = 5'

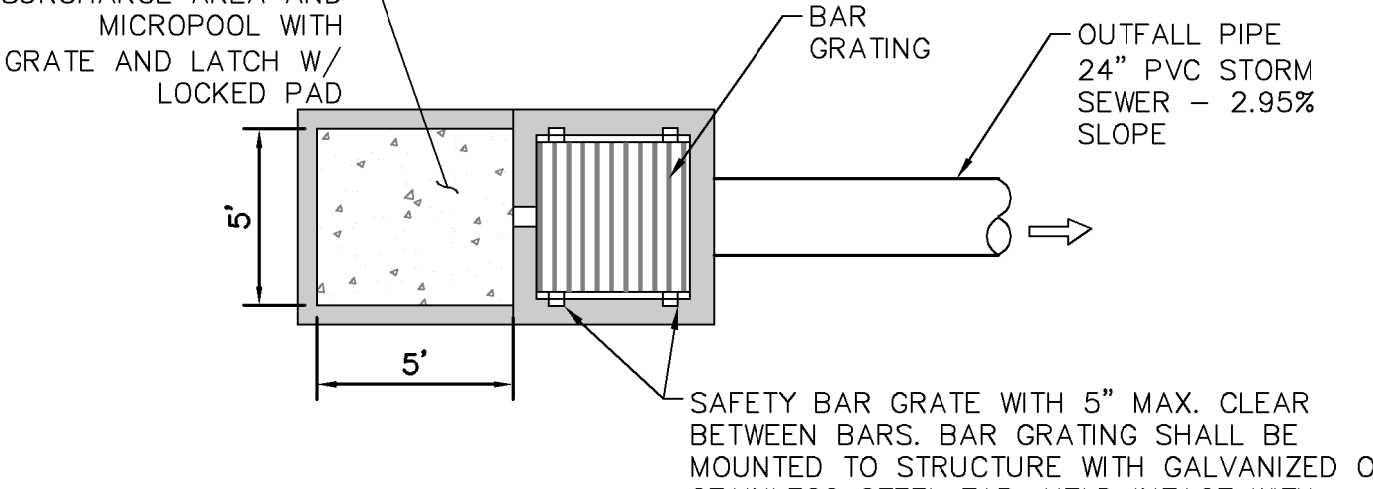


**MAINTENANCE ACCESS ROAD**  
N.T.S.

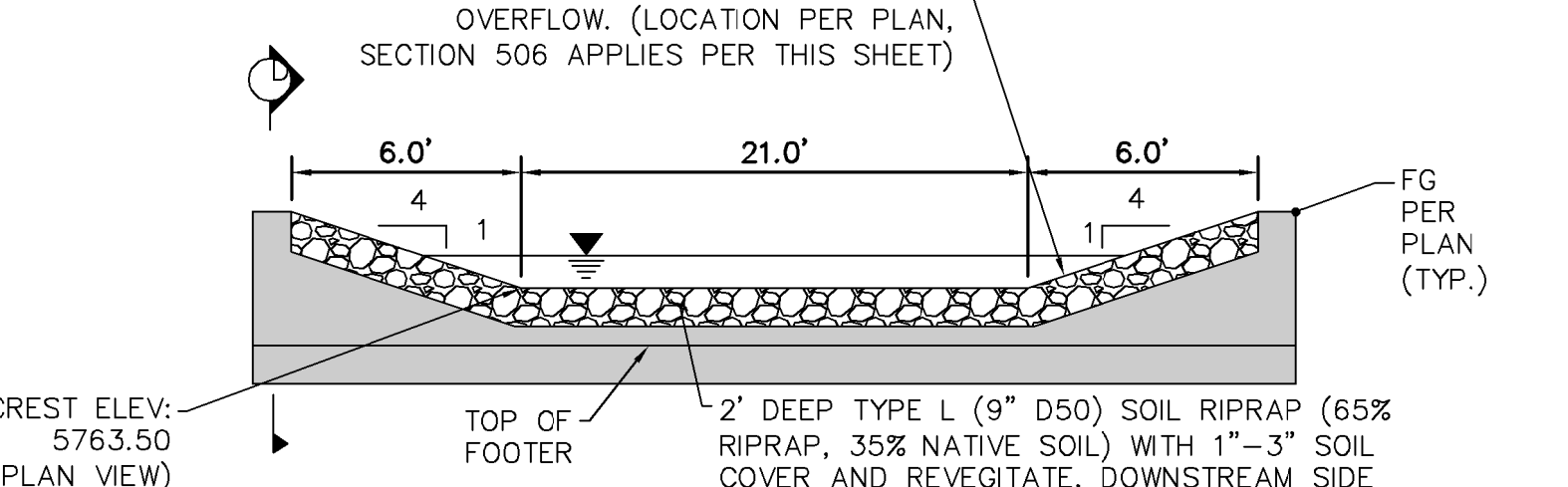


**FOREBAY DISSIPATER DETAIL**  
N.T.S.

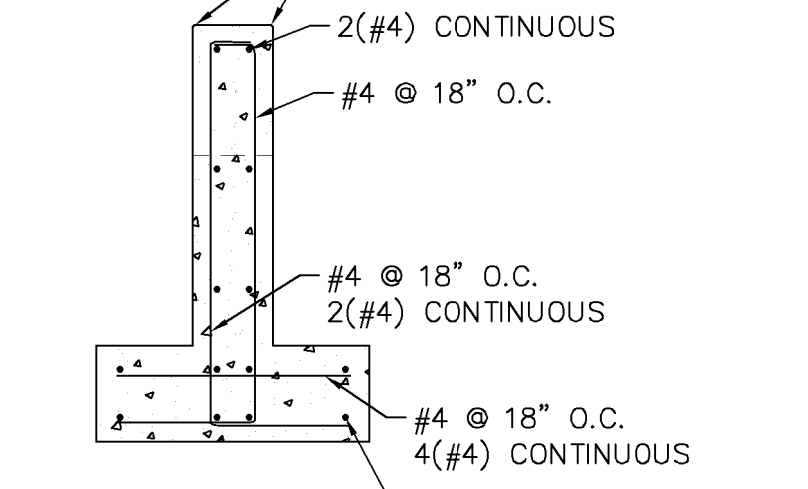
**FOREBAY WALL SECTION**  
N.T.S.



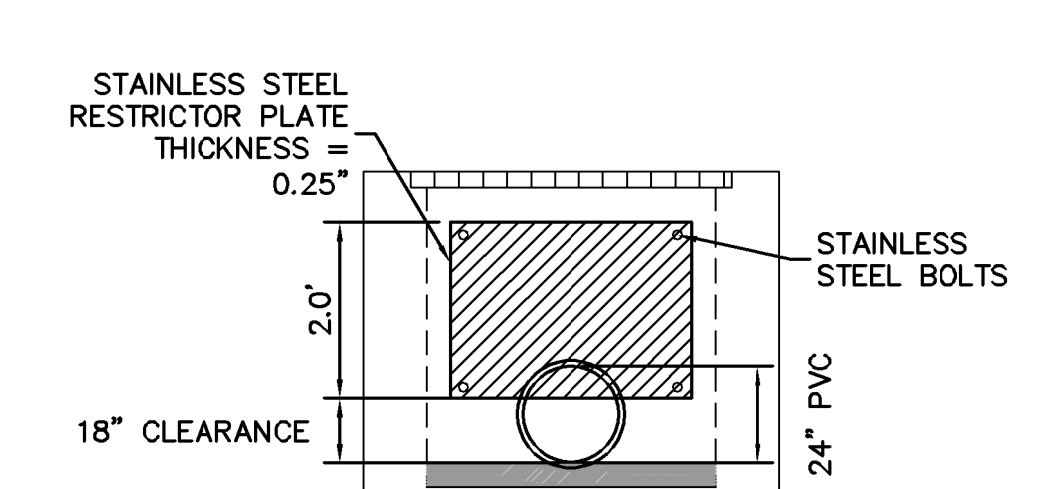
**OUTLET STRUCTURE PLAN VIEW DETAIL**  
N.T.S.



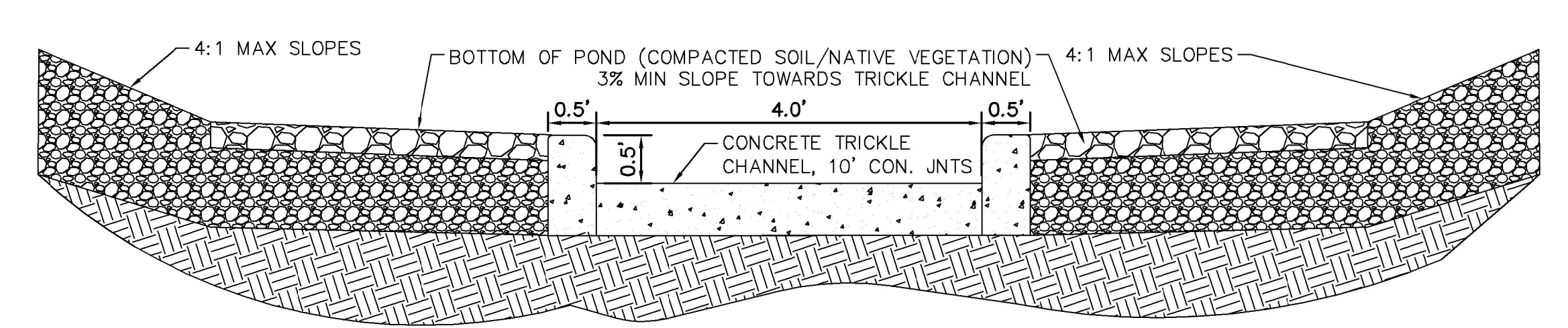
**EMERGENCY OVERFLOW CUT-OFF WALL PROFILE**  
N.T.S.



**EMERGENCY OVERFLOW CUT-OFF WALL SECTION D**  
N.T.S.



**100-YEAR FLOW RESTRICTOR DETAIL**  
N.T.S.



**TRICKLE CHANNEL - CROSS SECTION DETAIL E**  
N.T.S.

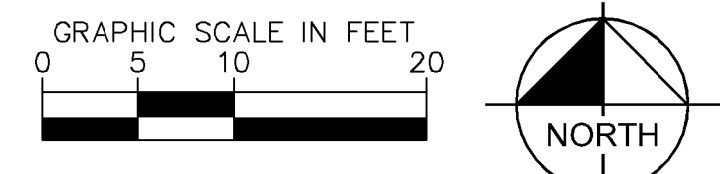
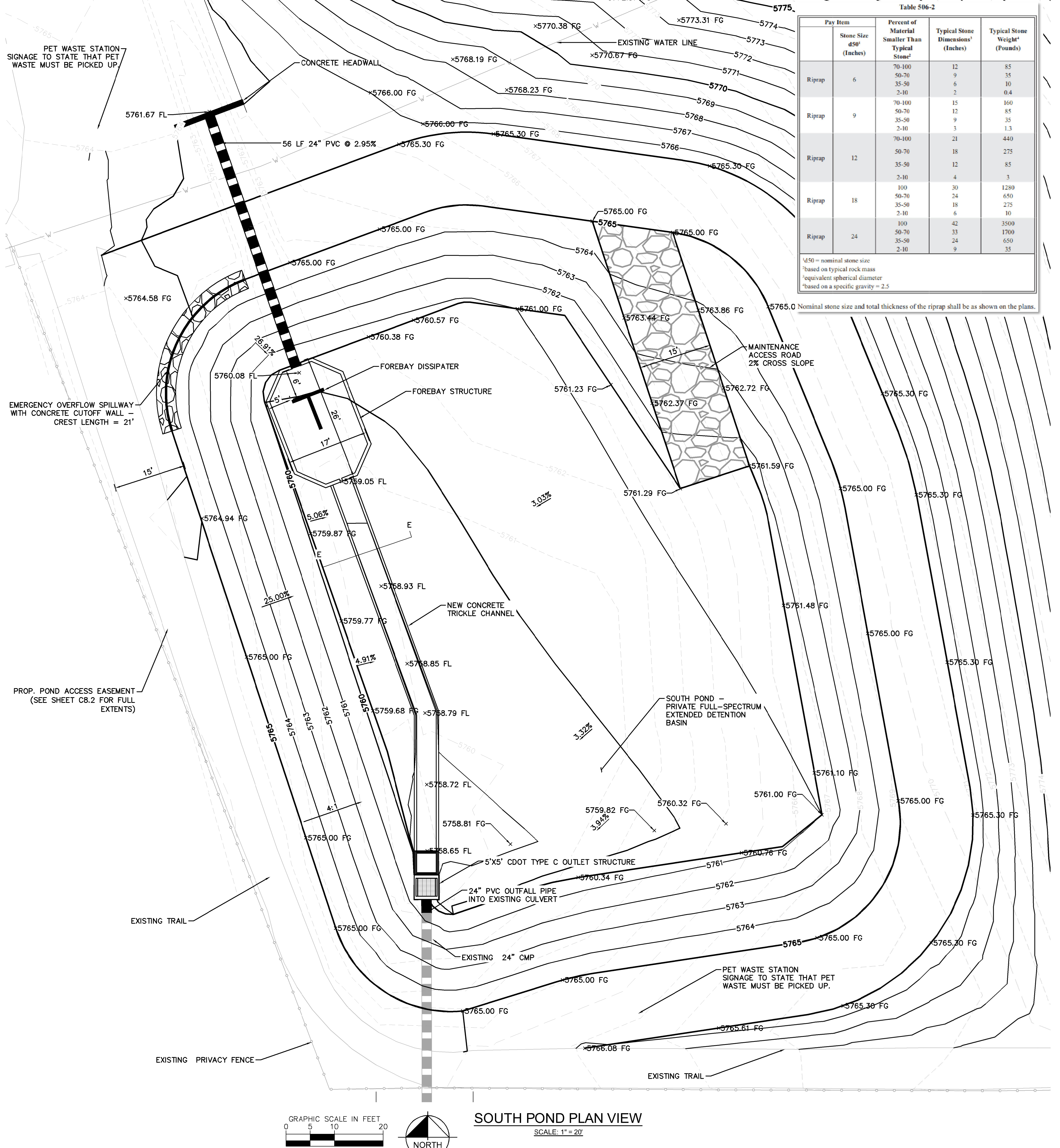


Table 506-2

Pay Item	Stone Size (Inches)	Percent of Material Smaller Than Typical Stone <sup>1</sup>	Typical Stone Dimensions <sup>2</sup> (Inches)	Typical Stone Weight <sup>3</sup> (Pounds)
Riprap 6	6	70-100	12	85
		50-70	9	35
		35-50	6	10
		2-10	2	0.4
Riprap 9	9	70-100	15	160
		50-70	12	85
		35-50	9	35
		2-10	3	1.3
Riprap 12	12	70-100	21	440
		50-70	18	275
		35-50	12	85
		2-10	4	3
Riprap 18	18	100	30	1280
		50-70	24	650
		35-50	18	275
		2-10	6	10
Riprap 24	24	100	42	3500
		50-70	33	1700
		35-50	24	650
		2-10	9	35

<sup>1</sup>4/50 = nominal stone size  
<sup>2</sup>based on typical rock mass  
<sup>3</sup>equivalent spherical diameter  
<sup>4</sup>based on a specific gravity = 2.5

Nominal stone size and total thickness of the riprap shall be as shown on the plans.



**CONSTRUCTION DOCUMENTS**

Drawn: \_\_\_\_\_ SL  
Checked: \_\_\_\_\_ JCP  
Issued: \_\_\_\_\_ 30 March 2022  
Revised: \_\_\_\_\_ 19 January 2023

**Area Key Plan**

**POND DETAILS**

**C7.5**