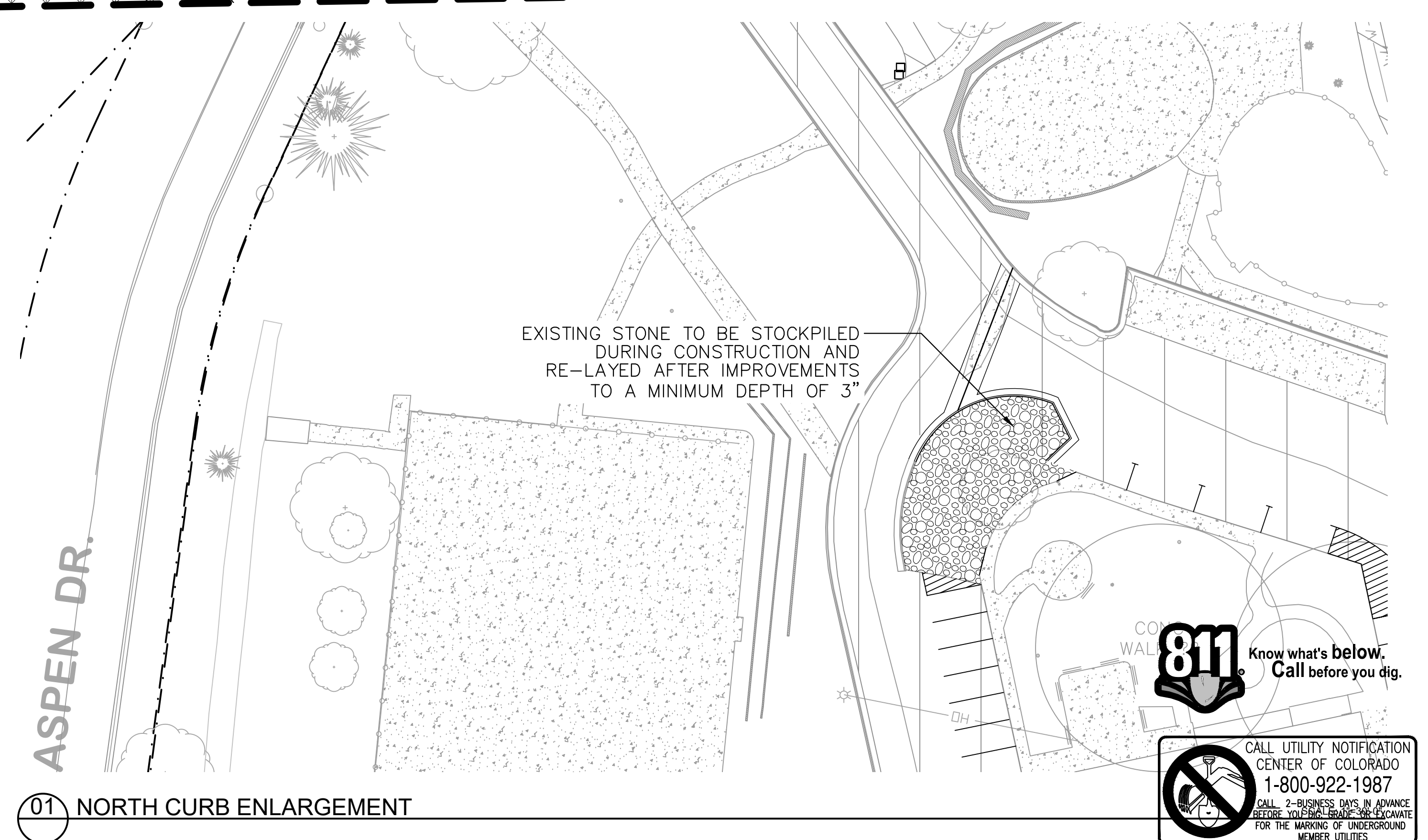


OWNER/APPLICANT
 WIDEFIELD SCHOOL DISTRICT 3
 1820 MAIN STREET
 COLORADO SPRINGS, CO 80911
 (719) 391-3530
 CONTACT: DAVID GISH (GISHD@WSD3.ORG)

PLAN PREPARER
 KIMLEY-HORN AND ASSOCIATES, INC.
 2 N NEVADA, SUITE 300
 COLORADO SPRINGS, CO 80907
 719-453-0180
 CONTACT: JEREMY POWELL, PLA (JEREMY.POWELL@KIMLEY-HORN.COM)

EXISTING/PROPOSED LAND USE AND ZONING:
 A5 CAD-0/A5 CAD-0

ADJACENT ZONING SURROUNDING THE PROPERTY:
 RS-6000 CAD-0



© Copyright 2022 The LKA Partners, Inc. This document and the information contained herein may not be reproduced or excerpted from without the express written permission of The LKA Partners, Inc. Unauthorized copying, disclosure or construction use are prohibited by copyright law.

**Widefield Parks and Recreation
 Facility Expansion**
 705 Aspen Drive, Colorado Springs, CO 80911

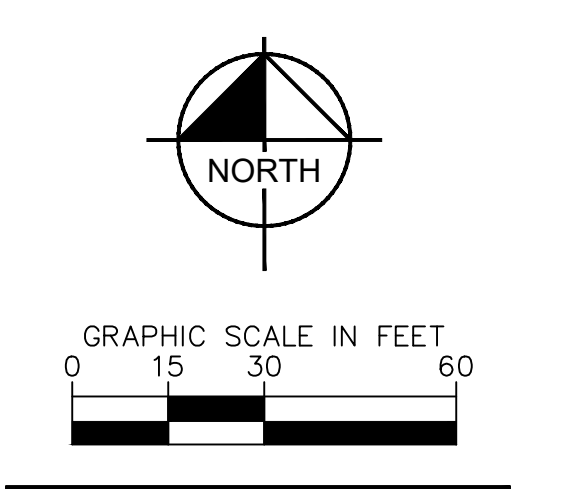
Widefield School District 3
 1820 Main Street
 Colorado Springs, CO. 80911



CONSTRUCTION DOCUMENTS

Drawn:	JCP
Checked:	JH
Issued:	30 March 2022
Revised:	19 October 2022
CCD 019	14 November 2022

Area Key Plan

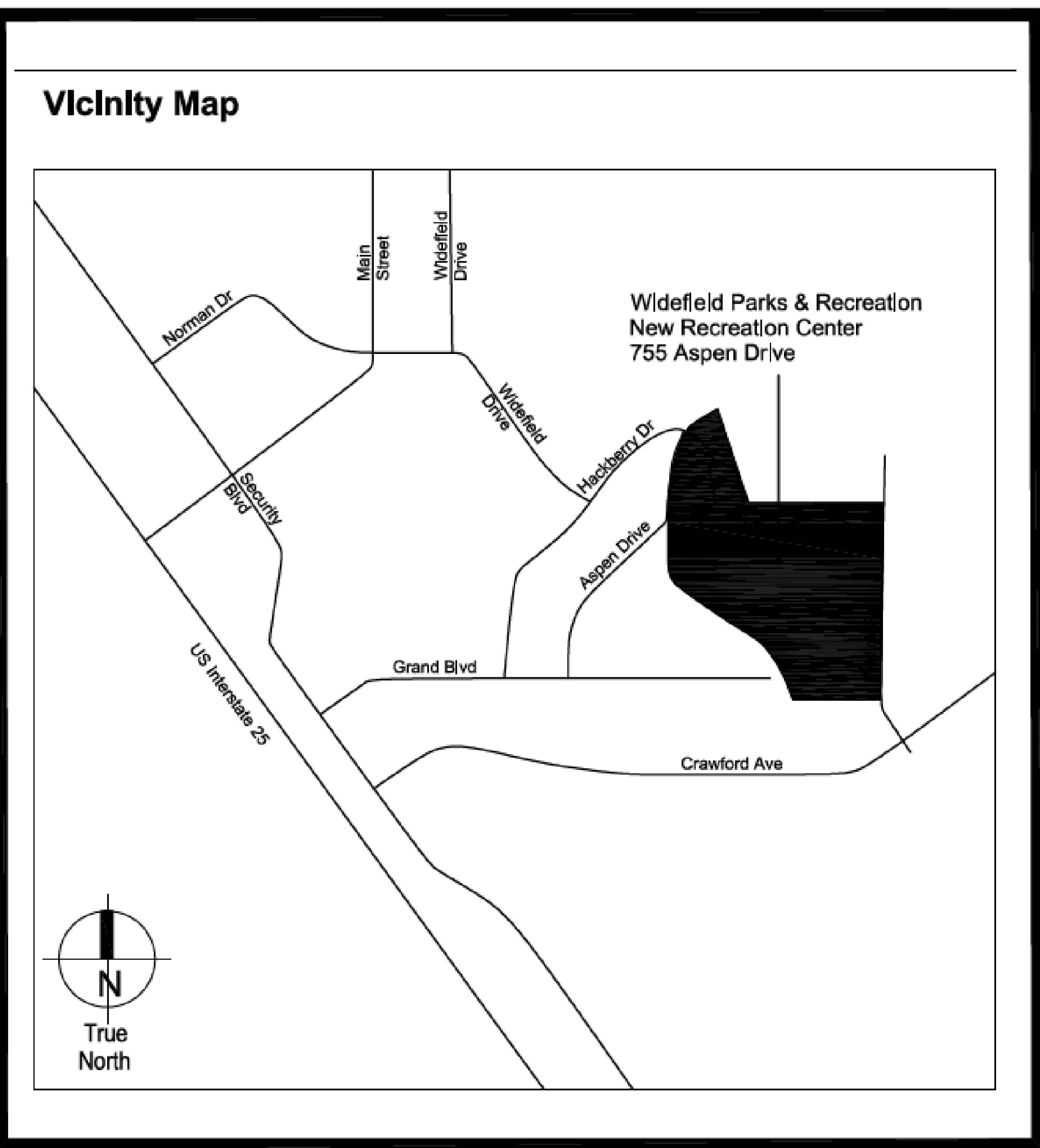
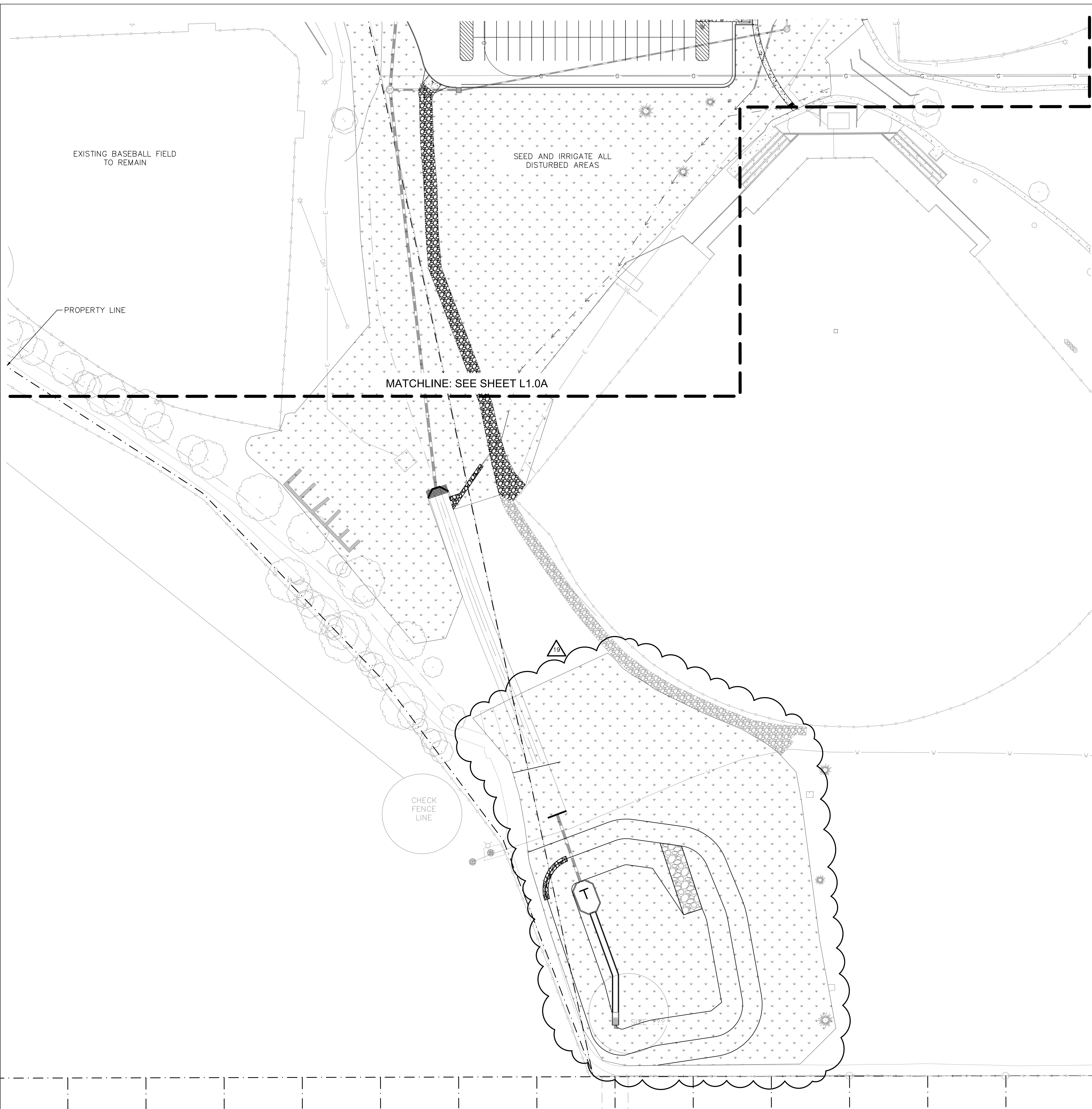


LANDSCAPE PLAN

L1.0A



MATCHLINE: SEE SHEET L1.0B



OWNER/APPLICANT
 WIDEFIELD SCHOOL DISTRICT 3
 1820 MAIN STREET
 COLORADO SPRINGS, CO 80911
 (719) 391-3530
 CONTACT: DAVID GISH (GISHD@WSD3.ORG)

PLAN PREPARER
 KIMLEY-HORN AND ASSOCIATES, INC.
 2 N NEVADA, SUITE 300
 COLORADO SPRINGS, CO 80907
 719-453-0180
 CONTACT: JEREMY POWELL, PLA (JEREMY.POWELL@KIMLEY-HORN.COM)

EXISTING/PROPOSED LAND USE AND ZONING:
 A5 CAD-0/A5 CAD-0

ADJACENT ZONING SURROUNDING THE PROPERTY:
 RS-6000 CAD-0

L K A PART N E R S
 I N C O R P O R A T E D
 A Professional Corporation for Architecture and Planning
 430 North Tejon Street Suite 200
 Colorado Springs Colorado 80903
 tele: 719.473.8448 fax: 719.473.8448
 web: www.lkapartners.com

© Copyright 2022 The LKA Partners, Inc. This document and the information contained herein may not be reproduced or excerpted from without the express written permission of The LKA Partners, Inc. Unauthorized copying, disclosure or construction use are prohibited by copyright law.

Widefield Parks and Recreation Facility Expansion
 705 Aspen Drive, Colorado Springs, CO 80911

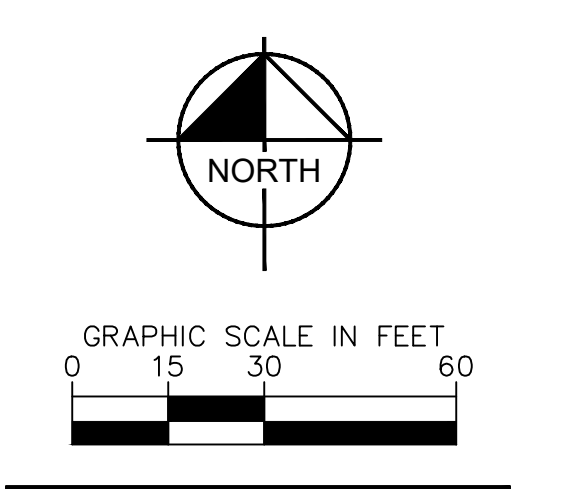
Widefield School District 3
 1820 Main Street
 Colorado Springs, CO 80911



CONSTRUCTION DOCUMENTS

Drawn: JCP
 Checked: JH
 Issued: 30 March 2022
 Revised: 19 October 2022
 CCD 019 14 November 2022

Area Key Plan



LANDSCAPE PLAN

L1.0B

Project No. 21-004
 The LKA Partners Incorporated





CONSTRUCTION DOCUMENTS

Drawn: JCP
 Checked: JH
 Issued: 30 March 2022
 Revised: 19 October 2022
 CCD 019 14 November 2022

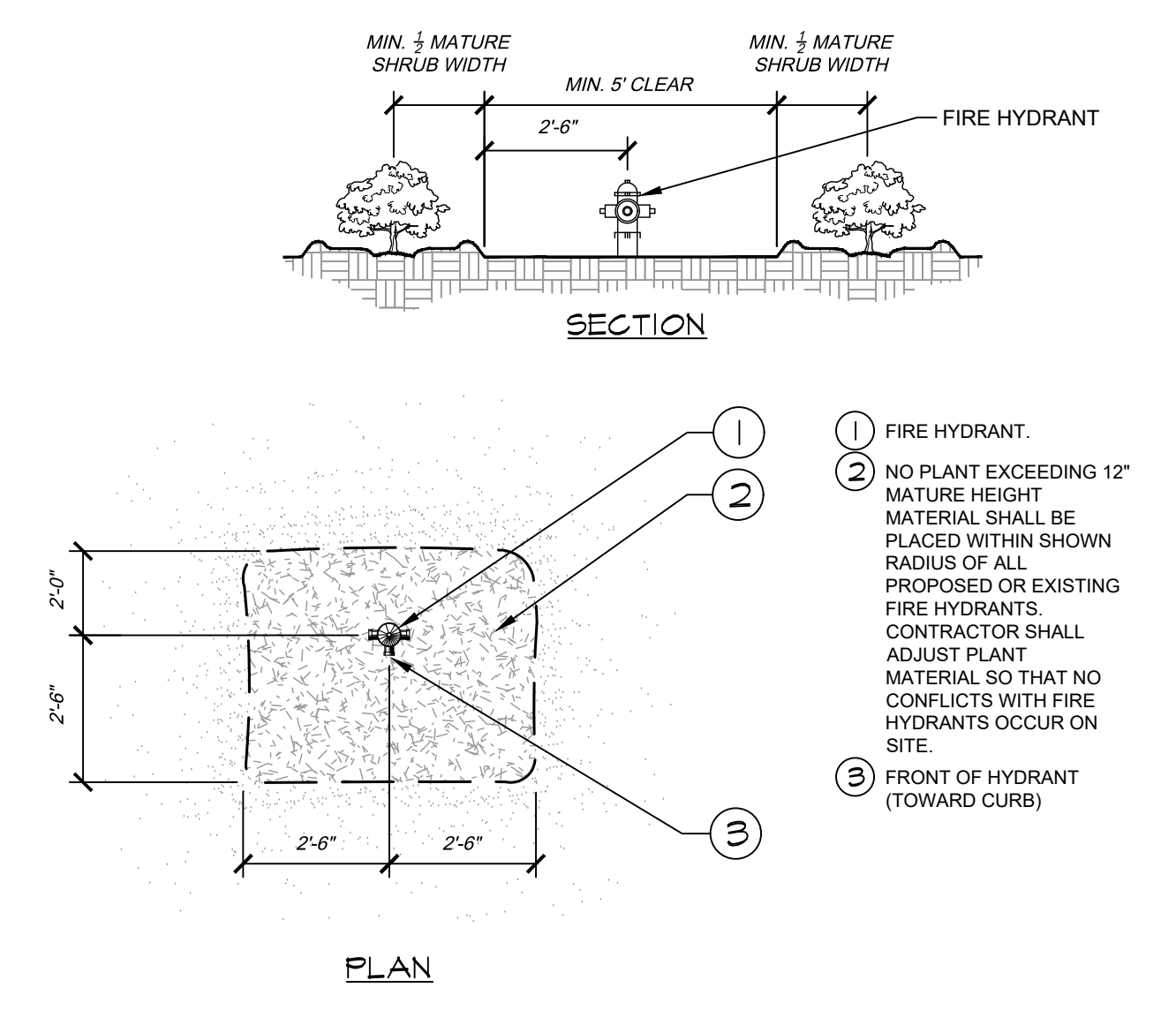
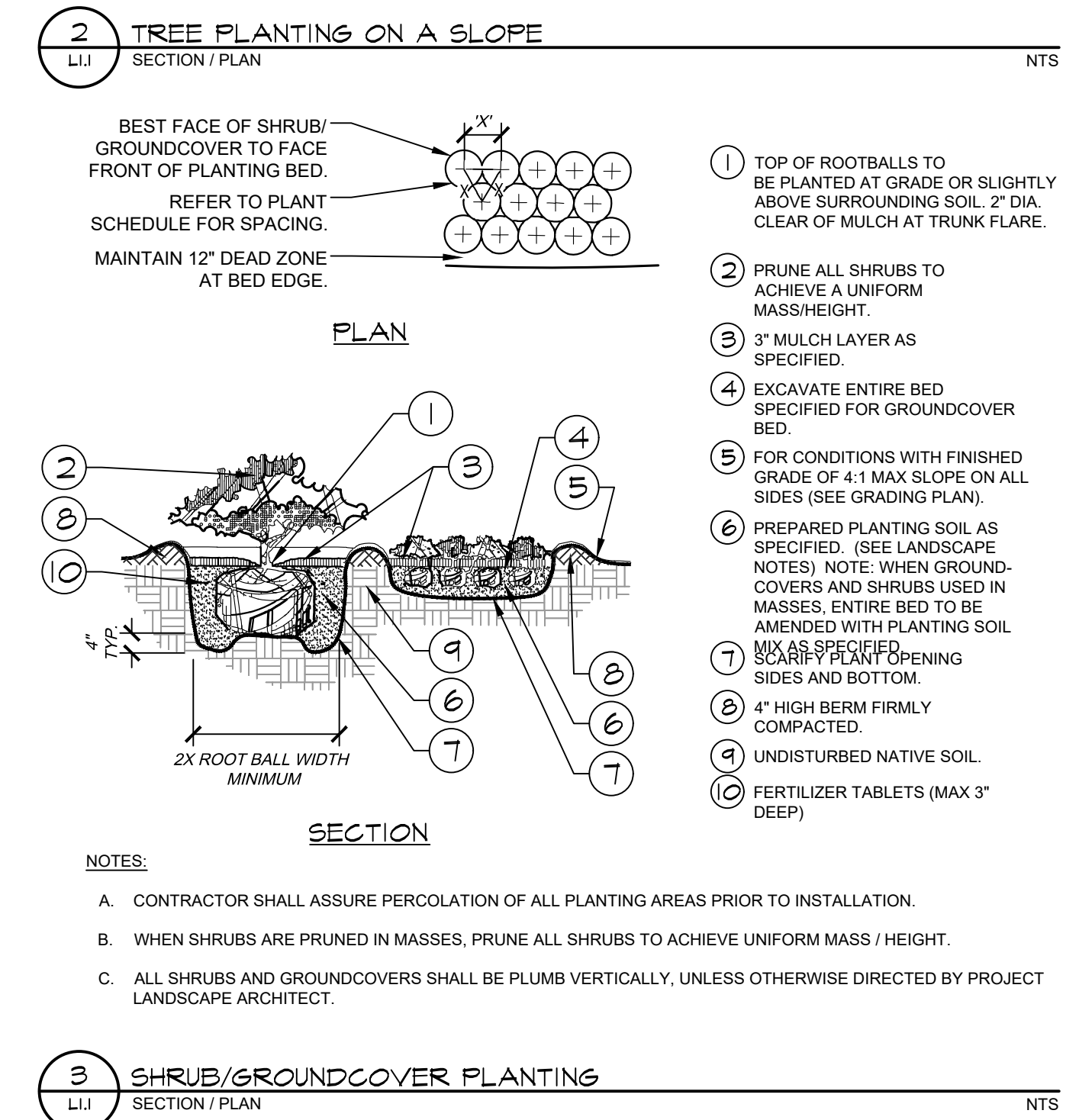
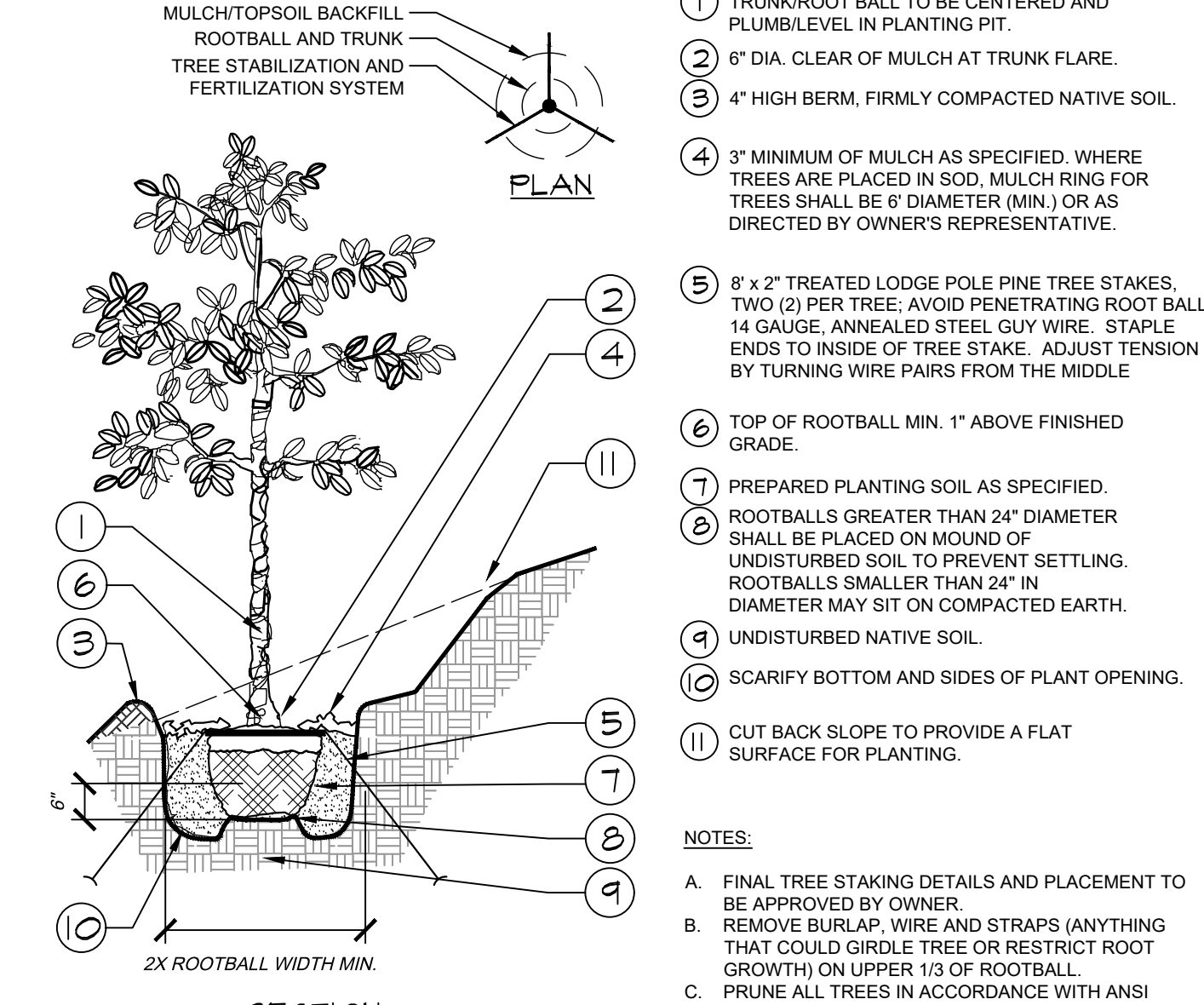
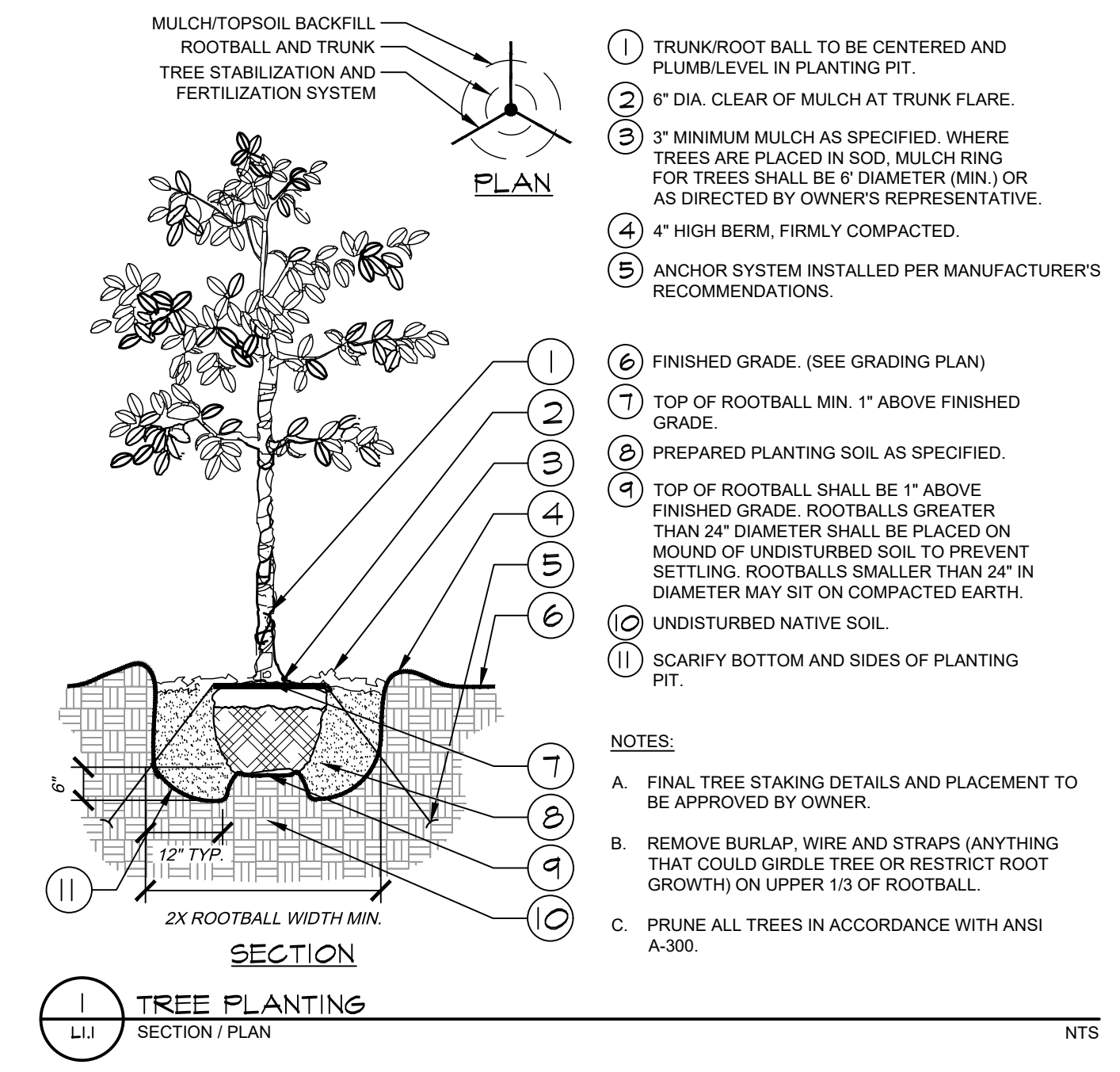
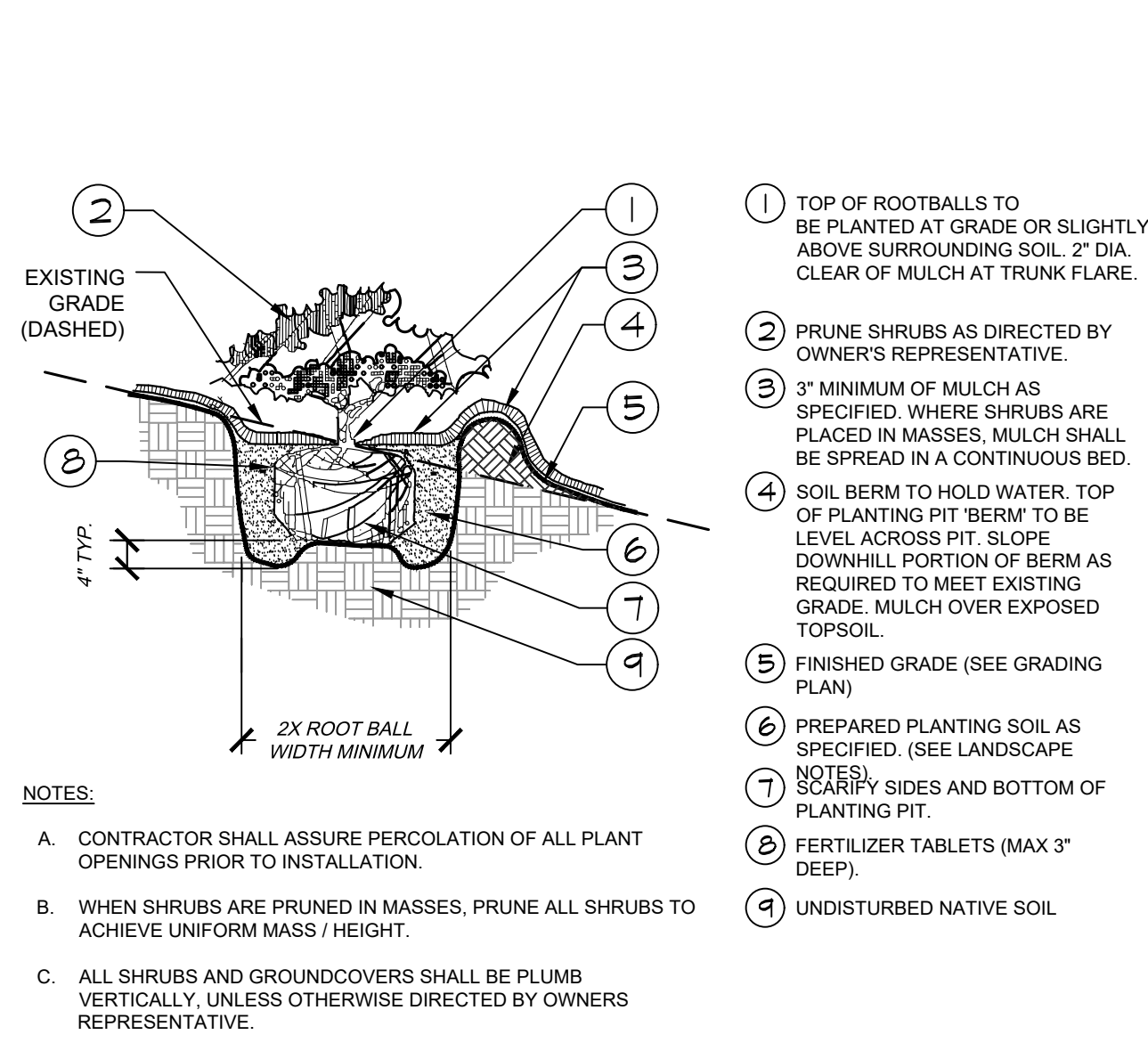
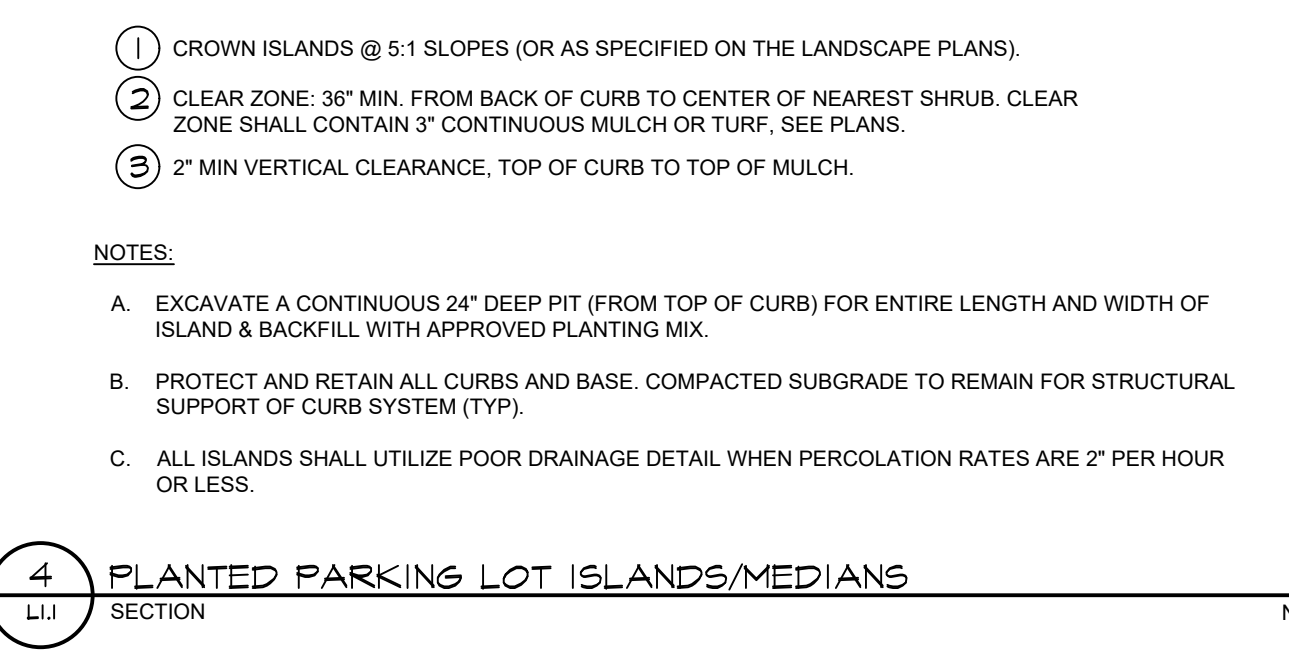
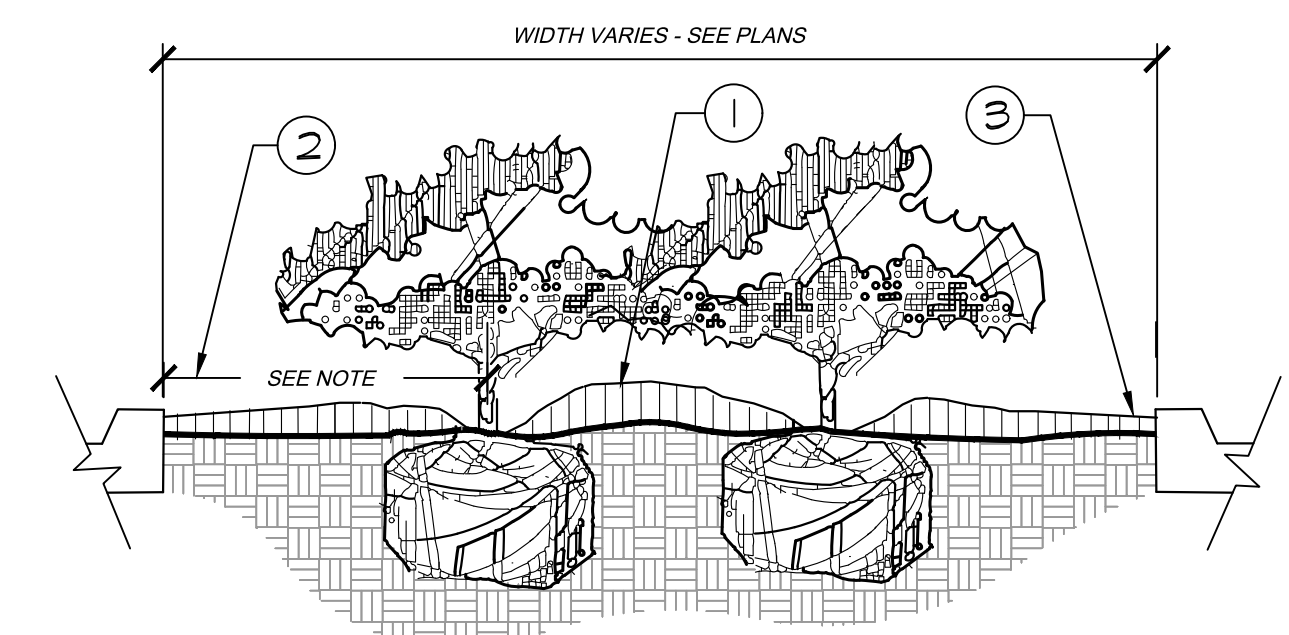
Area Key Plan

LANDSCAPE DETAILS

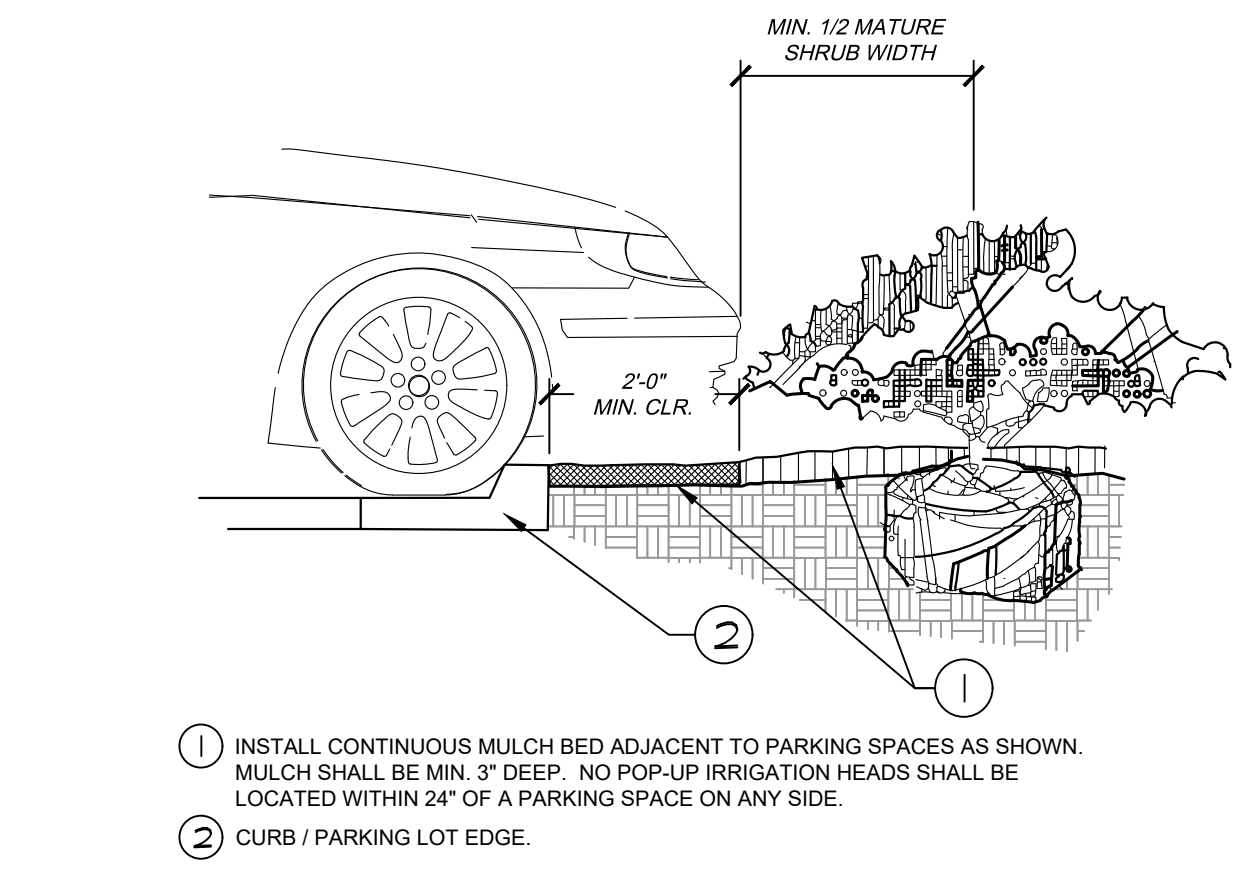
L1.1

PLANT SCHEDULE

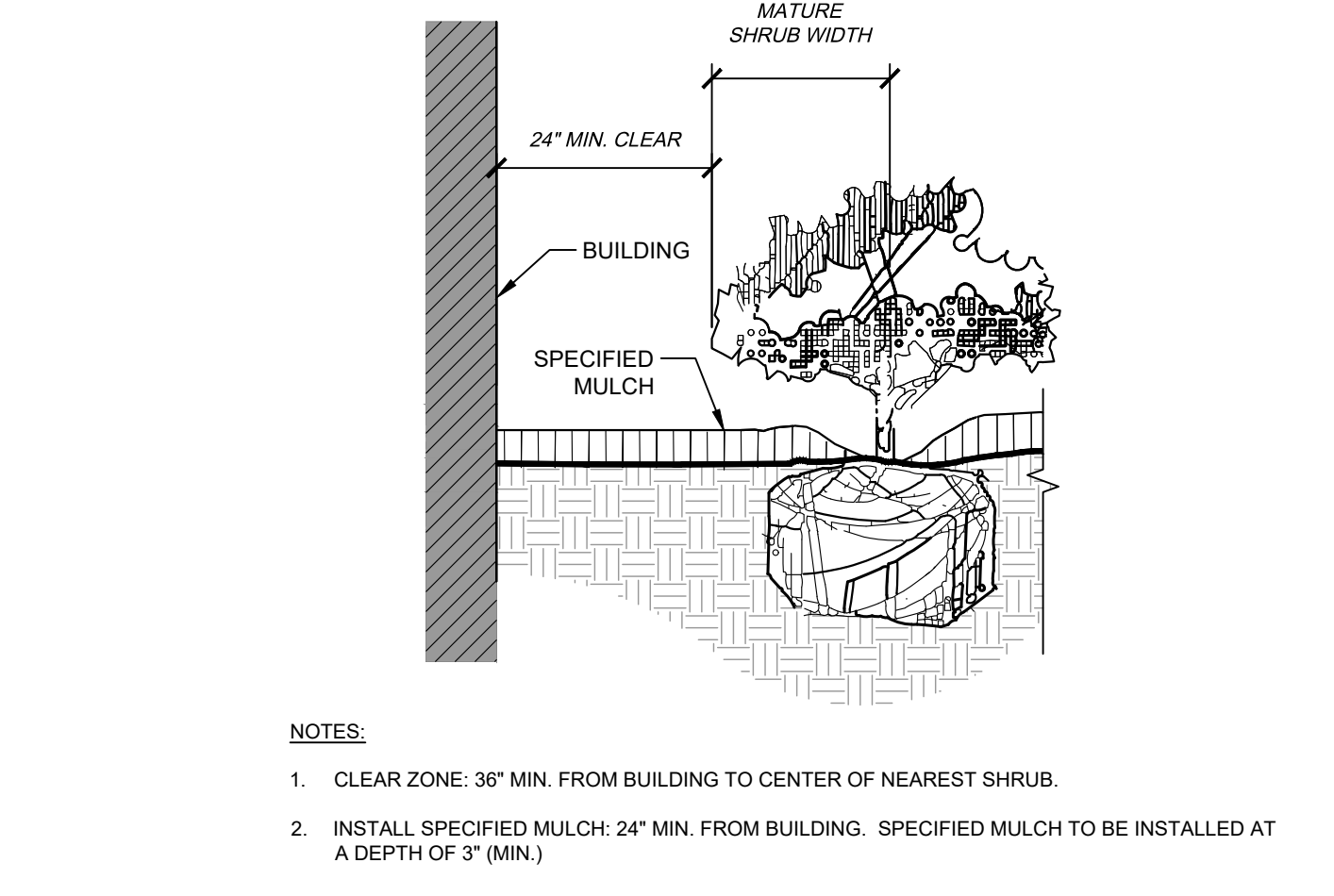
DECIDUOUS TREES	CODE	QTY	BOTANICAL / COMMON NAME	CONT. SIZE	SIZE/CAL.	WIDTH	HEIGHT	REMARKS
	AT	2	ACER TATARICUM 'HOT WINGS' / HOT WINGS TATARIAN MAPLE	B & B	2" CAL MIN	15'-20'	15'-20'	
	GS	1	GLEDITSIA TRIACANTHOS 'SKYLINE' / SKYLINE HONEY LOCUST	B & B	2" CAL MIN	30'-40'	40'-50'	
	MP	3	MALUS X 'PRAIRIE ROSE' / PRAIRIE ROSE CRABAPPLE	B & B	2" CAL MIN	15'-20'	15'-20'	
DECIDUOUS SHRUBS	CODE	QTY	BOTANICAL / COMMON NAME	CONT. SIZE	SPACING	WIDTH	HEIGHT	REMARKS
	EU	12	ERICAMERIA NAUSEOSA GLABRATA / TALL GREEN RABBITBRUSH	5 GAL	SEE PLAN	2'-6"	2'-6"	
	PBSC	18	PRUNUS BESSEYI 'P011S' TM / PAWNEE BUTTES SAND CHERRY	5 GAL				
	RG	17	RHUS AROMATICA 'GRO-LOW' / GRO-LOW FRAGRANT SUMAC	5 GAL	SEE PLAN	6'-8"	2'-3"	
EVERGREEN SHRUBS	CODE	QTY	BOTANICAL / COMMON NAME	CONT. SIZE	SPACING	WIDTH	HEIGHT	REMARKS
	JS	25	JUNIPERUS X MEDIA 'SEA GREEN' / SEA GREEN JUNIPER	5 GAL	SEE PLAN	6'-8"	5'-6"	
GRASSES	CODE	QTY	BOTANICAL / COMMON NAME	CONT. SIZE	SPACING	WIDTH	HEIGHT	REMARKS
	CA	26	CALAMAGROSTIS ACUTIFLORA 'KARL FOERSTER' / FEATHER REED GRASS	5 GAL	SEE PLAN	18"-24"	4'-5"	
GROUND COVERS	CODE	QTY	BOTANICAL / COMMON NAME	TYPE	INSTALL RATE	WEED FABRIC	MFR.	REMARKS
	COBL B1	13,301 SF	1/2" RIVER ROCK / COLOR BY OWNER/ARCHITECT	ROCK MULCH	3" DEPTH	YES	PIONEER SAND	
	CMUL	1,390 SF	CEDAR MULCH / COLOR BY OWNER/ARCHITECT	WOOD MULCH	4"	YES	PIONEER SAND	
	COBL A	23,858 SF	CRUSHER FINES / IN-FIELD MATERIAL	GRAVEL	3" DEPTH	NO		RE-USED AND NEW IN-FIELD MATERIAL
	RE-USED	2,108 SF	EXISTING GROUNDCOVER / TO BE REMOVED AND RELAYED	---				
	SEED A	171,744 SF	NATIVE SEED / PBSI LOW GROW MIX	SEED				PAWNEE BUTTES SEED INC.
	SOD	1,032 SF	POA PRATENSIS / KENTUCKY BLUEGRASS	SOD				



8 SHRUB PLANTING AT FIRE HYDRANT SECTION / PLAN NTS

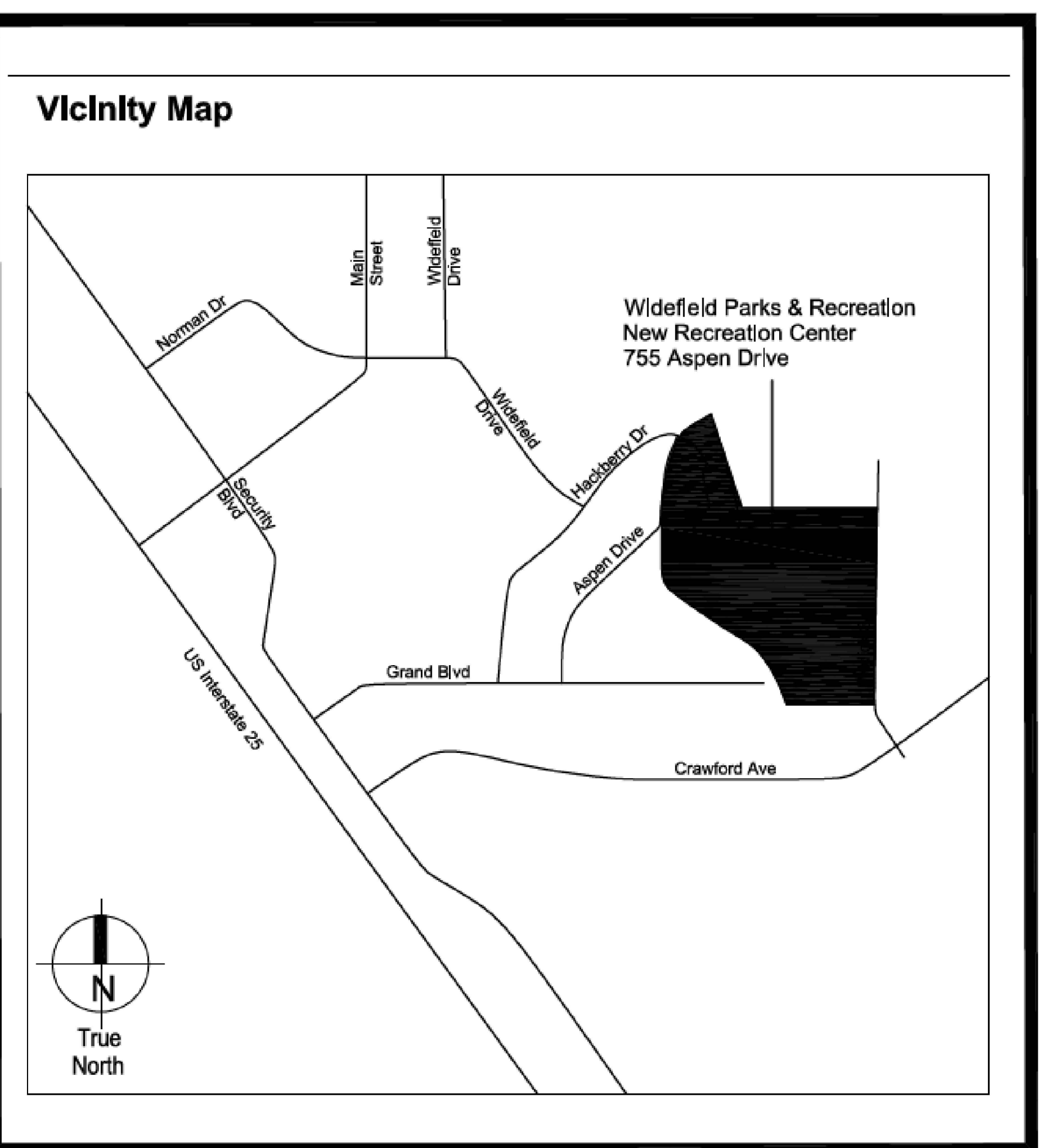
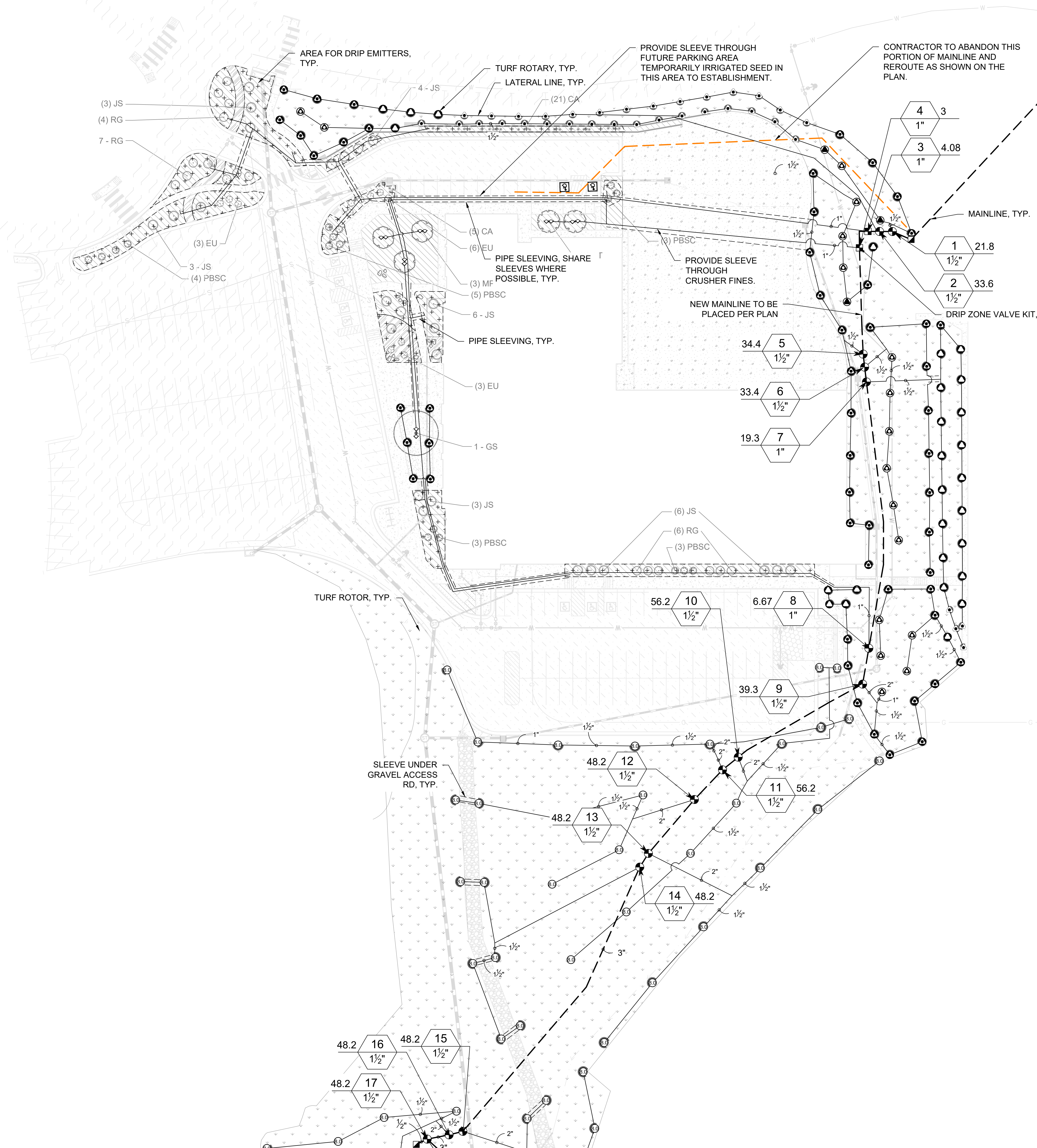


7 PARKING SPACE/CURB PLANTING SECTION NTS



6 PLANTINGS ADJACENT TO BUILDINGS SECTION NTS





OWNER/APPLICANT
 WIDEFIELD SCHOOL DISTRICT 3
 1820 MAIN STREET
 COLORADO SPRINGS, CO 80911
 (719) 391-3530
 CONTACT: DAVID GISH (GISHD@WSD3.ORG)

PLAN PREPARER
 KIMLEY-HORN AND ASSOCIATES, INC.
 2 N NEVADA, SUITE 300
 COLORADO SPRINGS, CO 80907
 719-453-0180
 CONTACT: JEREMY POWELL, PLA (JEREMY.POWELL@KIMLEY-HORN.COM)

EXISTING/PROPOSED LAND USE AND ZONING:
 A5 CAD-0/A5 CAD-0

ADJACENT ZONING SURROUNDING THE PROPERTY:
 RS-6000 CAD-0

© Copyright 2022 The LKA Partners, Inc. This document and the information contained therein may not be reproduced or excerpted from without the express written permission of the LKA Partners, Inc. Unauthorized copying, disclosure or construction use are prohibited by copyright law.

Widefield Parks and Recreation Facility Expansion
 705 Aspen Drive, Colorado Springs, CO 80911

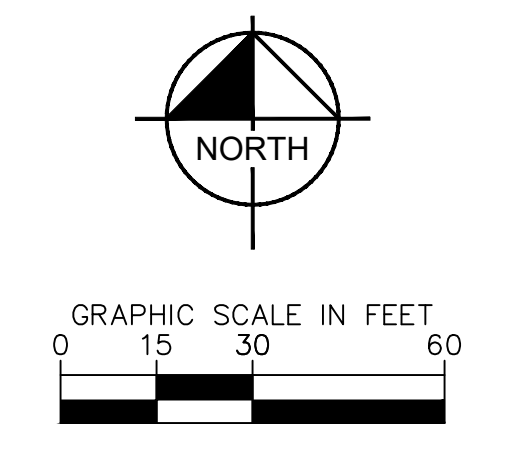
Widefield School District 3
 1820 Main Street
 Colorado Springs, CO 80911



CONSTRUCTION DOCUMENTS

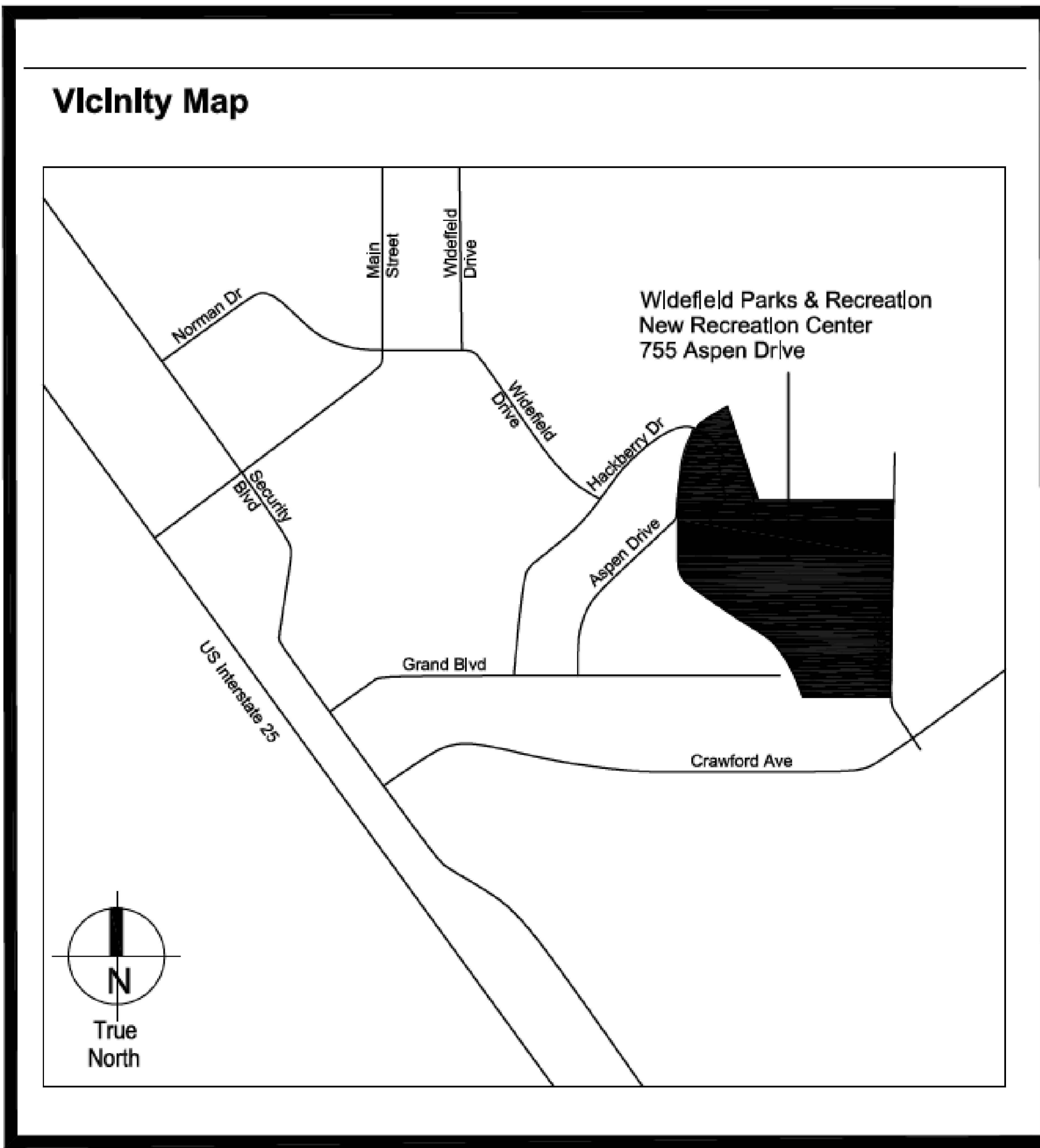
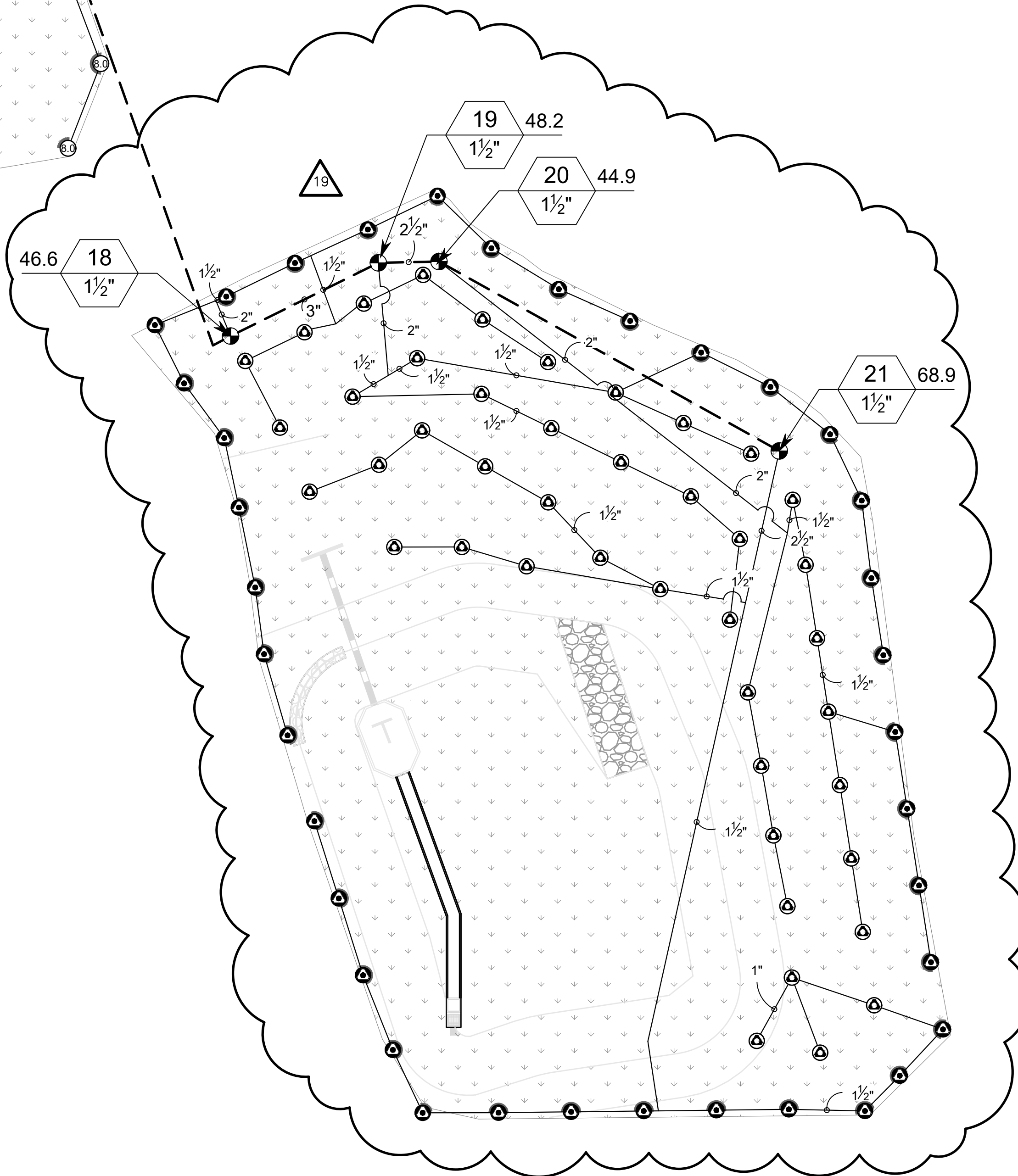
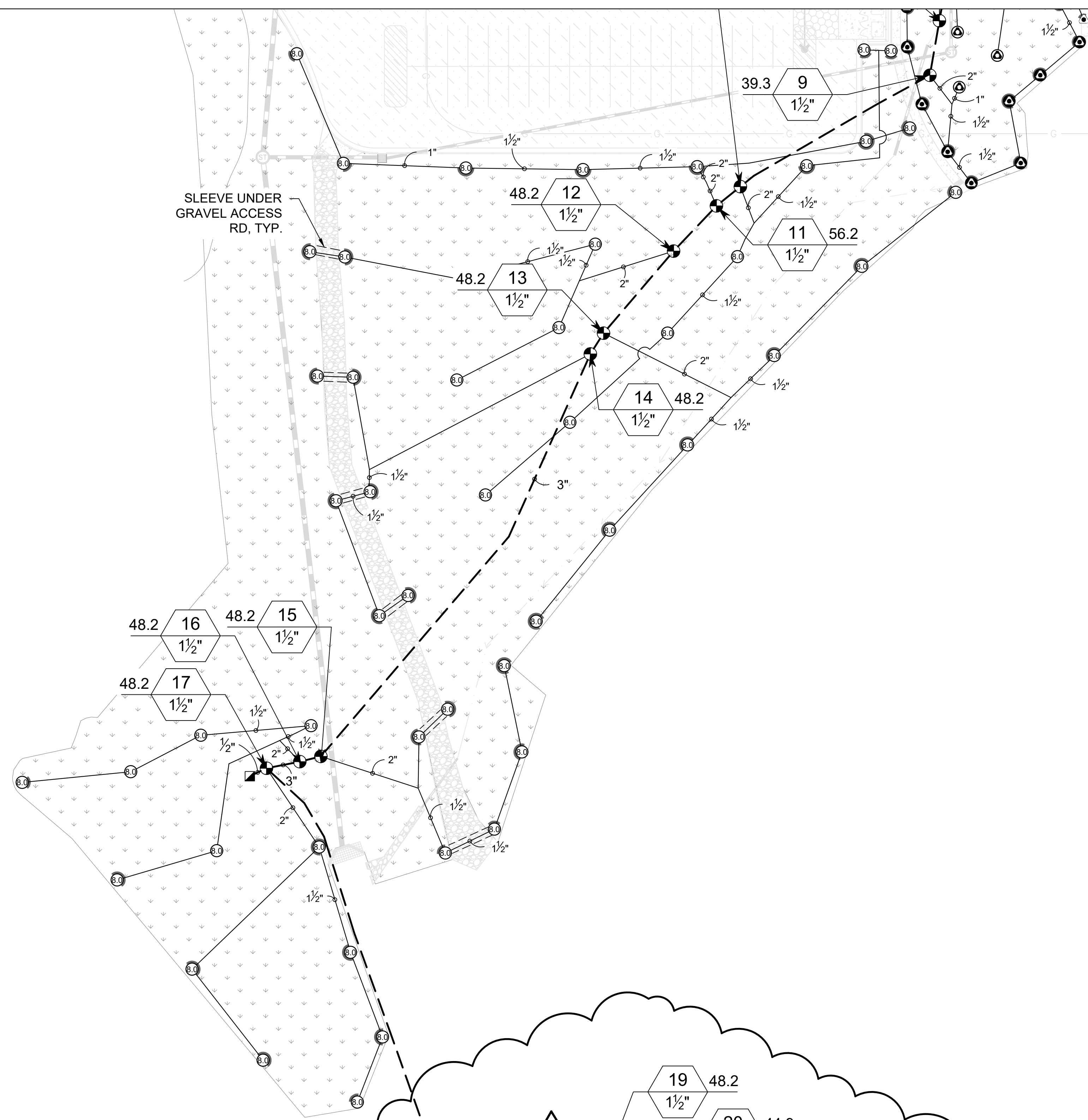
Drawn: JCP
 Checked: JH
 Issued: 30 March 2022
 Revised: 19 October 2022
 CCD 019 14 November 2022

Area Key Plan



IRRIGATION PLAN

IR1.0A



OWNER/APPLICANT
 WIDEFIELD SCHOOL DISTRICT 3
 1820 MAIN STREET
 COLORADO SPRINGS, CO 80911
 (719) 391-3530
 CONTACT: DAVID GISH (GISHD@WSD3.ORG)

PLAN PREPARER
 KIMLEY-HORN AND ASSOCIATES, INC.
 2 N NEVADA, SUITE 300
 COLORADO SPRINGS, CO 80907
 719-453-0180
 CONTACT: JEREMY POWELL, PLA (JEREMY.POWELL@KIMLEY-HORN.COM)

EXISTING/PROPOSED LAND USE AND ZONING:
 A5 CAD-0/A5 CAD-0

ADJACENT ZONING SURROUNDING THE PROPERTY:
 RS-6000 CAD-0

IRRIGATION SCHEDULE

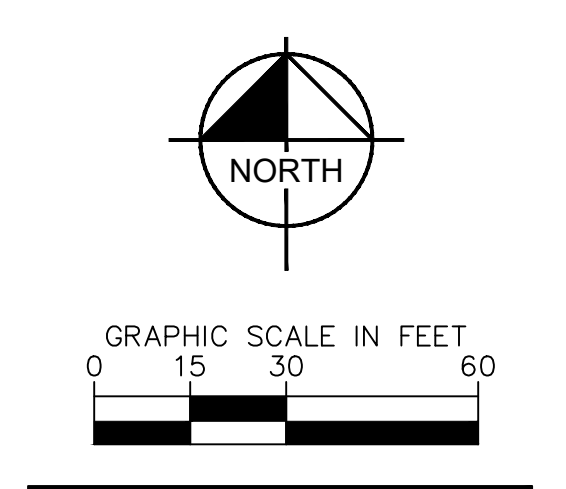
SYMBOL	MANUFACTURER/MODEL/DESCRIPTION	QTY	PSI	GPM	RADIUS
14 AU, 14 F	RAIN BIRD R-VAN14 1806-SAM-P45 TURF ROTARY, 8-14 45-270 DEGREES AND 360 DEGREES, HAND ADJUSTABLE MULTI-STREAM ROTARY W/1800 TURF SPRAY BODY ON 6" POP-UP, WITH CHECK VALVE AND 45 PSI IN-STEM PRESSURE REGULATOR, 1/2" NPT FEMALE THREADED INLET.	35	45		
12 AU, 12 F	RAIN BIRD R-VAN15 1806-SAM-P45 TURF ROTARY, 13-18 45-270 DEGREES AND 360 DEGREES, HAND ADJUSTABLE MULTI-STREAM ROTARY W/1800 TURF SPRAY BODY ON 6" POP-UP, WITH CHECK VALVE AND 45 PSI IN-STEM PRESSURE REGULATOR, 1/2" NPT FEMALE THREADED INLET.	30	45		
20 AU, 20 F	RAIN BIRD R-VAN24 1806-SAM-P45 TURF ROTARY, 17-24 45-270 DEGREES AND 360 DEGREES, HAND ADJUSTABLE MULTI-STREAM ROTARY W/1800 TURF SPRAY BODY ON 6" POP-UP, WITH CHECK VALVE AND 45 PSI IN-STEM PRESSURE REGULATOR, 1/2" NPT FEMALE THREADED INLET.	149	45		
1401, 1402	RAIN BIRD RWS-M-B-C W/ RWS-SOCK 1401 MINI ROOT WATERING SYSTEM WITH 4" DIAMETER X 18" LONG WITH LOCKING GRATE, SEMI-RIGID MESH TUBE AND RAIN BIRD 1401 0.25 GPM OR 1402 0.5 GPM BUBBLER AS INDICATED, WITH CHECK VALVE, AND SAND SOCK FOR SANDY SOIL.	12	30		
13	RAIN BIRD 5006-PL-PC, FC-RS-B.0 TURF ROTOR, 6" POP-UP WITH STAINLESS STEEL RISER, ADJUSTABLE AND FULL CIRCLE, STANDARD ANGLE NOZZLE, IN-STEM PRESSURE REGULATOR, AND FLOW SHUT-OFF DEVICE.	50	45	8.03	47'
11	RAIN BIRD XC2-100-PRB-COM WIDE FLOW DRIP CONTROL KIT FOR COMMERCIAL APPLICATIONS, 1" BALL VALVE WITH 1" PRESS VALVE AND 1" PRESSURE REGULATING 40PSI QUICK-CHECK BASKET FILTER, 0.3 GPM-20 GPM	2			
[Symbol]	AREA TO RECEIVE DRIP EMITTERS RAIN BIRD XB-PC SINGLE OUTLET, PRESSURE COMPENSATING DRIP EMITTERS, FLOW RATES OF 0.5 GPH-BLUE, 1.0 GPH-BLACK, AND 2.0 GPH-RED, COMES WITH A SELF-PIERCING BARB INLET X BARB OUTLET. Emitter Notes: 0.5 GPH emitters (2 assigned to each 1 gal. plant) 0.5 GPH emitters (2 assigned to each 3 GAL plant) 1.0 GPH emitters (2 assigned to each 5 GAL plant) 1.0 GPH emitters (2 assigned to each 5 gal. plant)	9,691	S.F.		
19	RAIN BIRD PEB 1", 1-1/2", 2" PLASTIC INDUSTRIAL VALVES, LOW FLOW OPERATING CAPABILITY, CLOSE CONFIGURATION.	19			
BF	RAIN BIRD 44-LRC 1" BRASS QUICK-COUPLING VALVE, WITH CORROSION-RESISTANT STAINLESS STEEL SPRING, LOCKING THERMOPLASTIC RUBBER COVER, AND 2-PRESS BODY.	2			
M	REDUCED PRESSURE BACKFLOW PREVENTER (EXISTING) WATER METER 4" (EXISTING)	1			
[Symbol]	IRRIGATION LATERAL LINE: PVC CLASS 200 SDR 21 PVC CLASS 200 IRRIGATION PIPE, ONLY LATERAL TRANSITION PIPE SIZES 9.923 L.F. 1" AND ABOVE ARE INDICATED ON THE PLAN, WITH ALL OTHERS BEING 3/4" IN SIZE.	2,049	L.F.		
[Symbol]	IRRIGATION MAINLINE: PVC SCHEDULE 40	616.2	L.F.		
[Symbol]	PIPE SLEEVE: PVC SCHEDULE 40	616.2	L.F.		



CONSTRUCTION DOCUMENTS

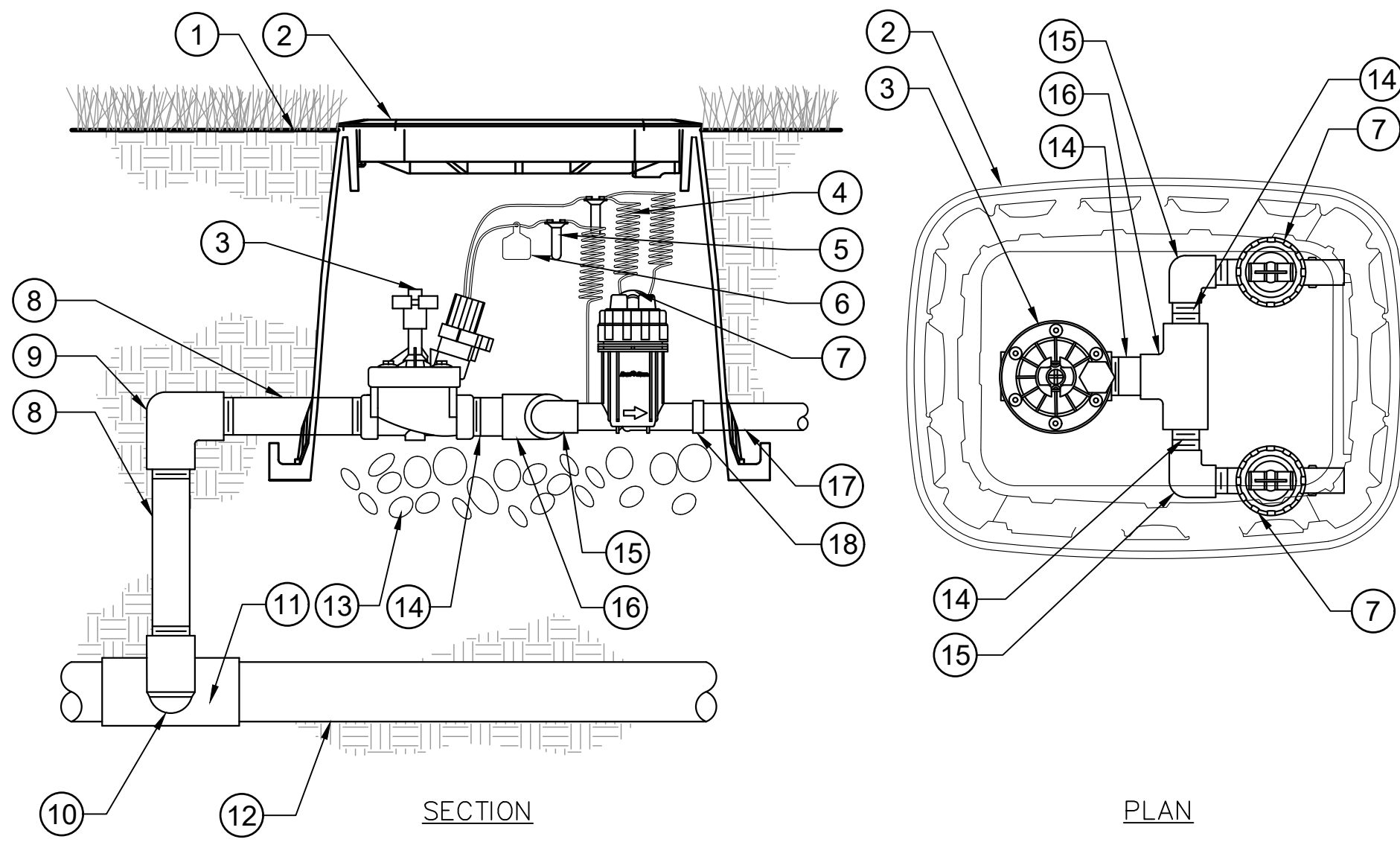
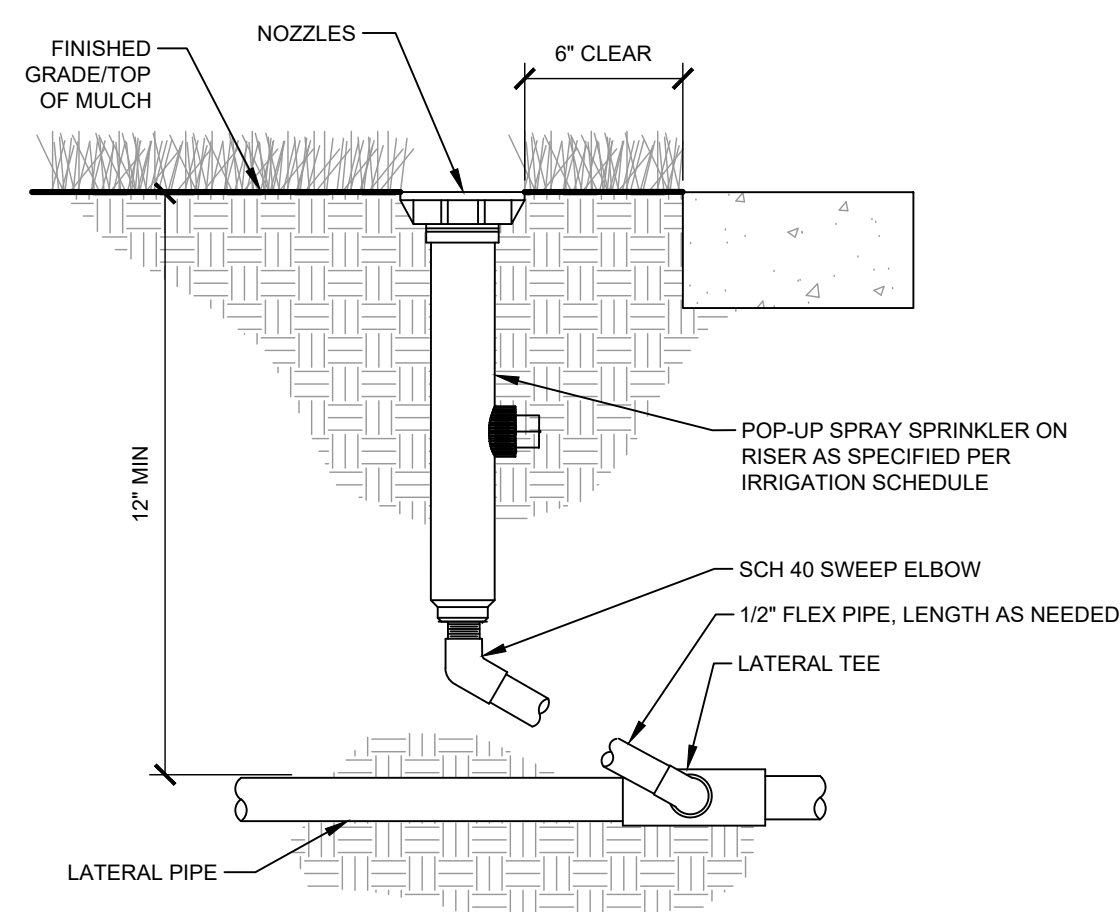
Drawn: **JCP**
 Checked: **JH**
 Issued: 30 March 2022
 Revised: 19 October 2022
 CCD 019 14 November 2022

Area Key Plan

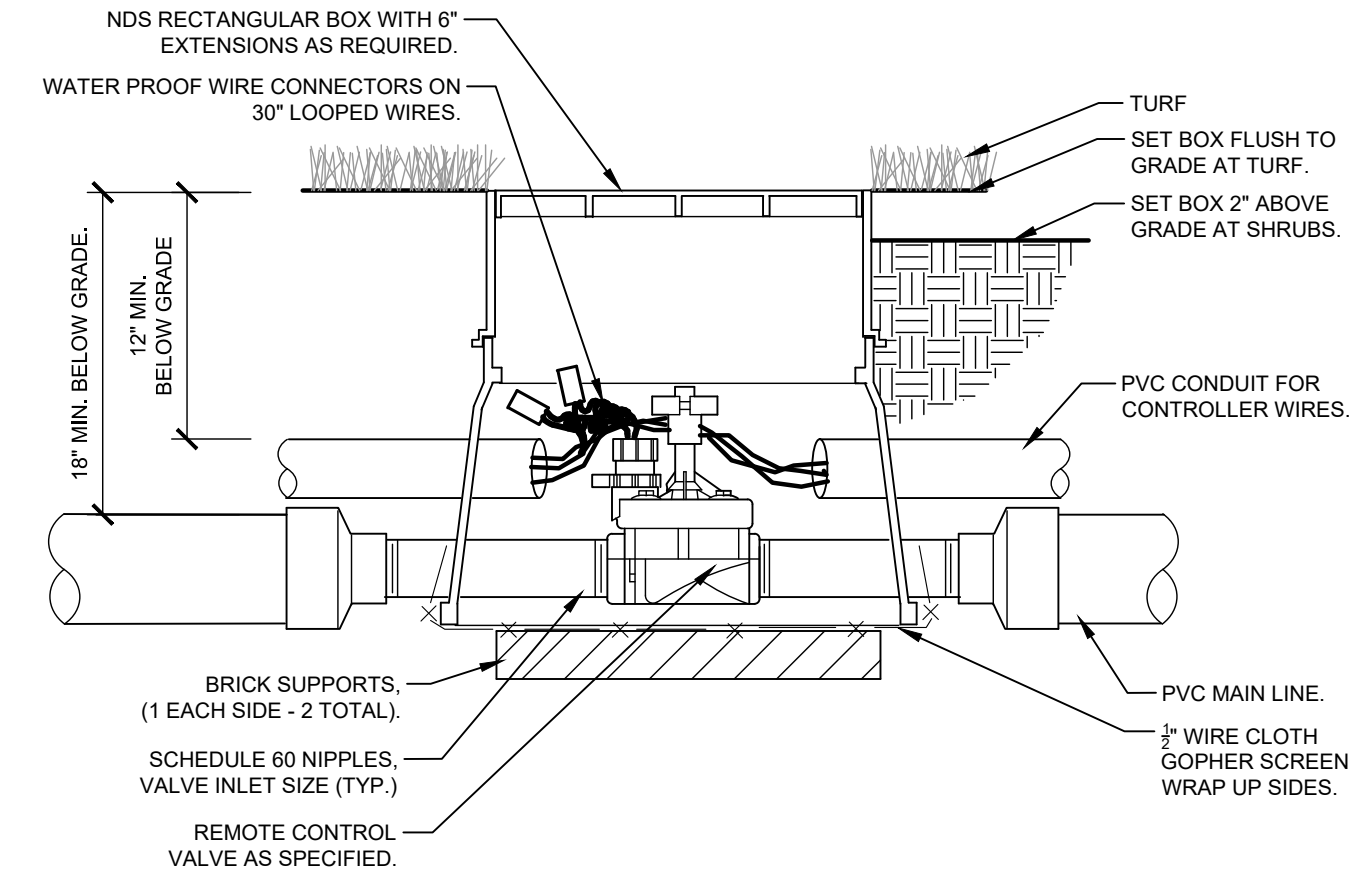


IRRIGATION PLAN

IR1.0B



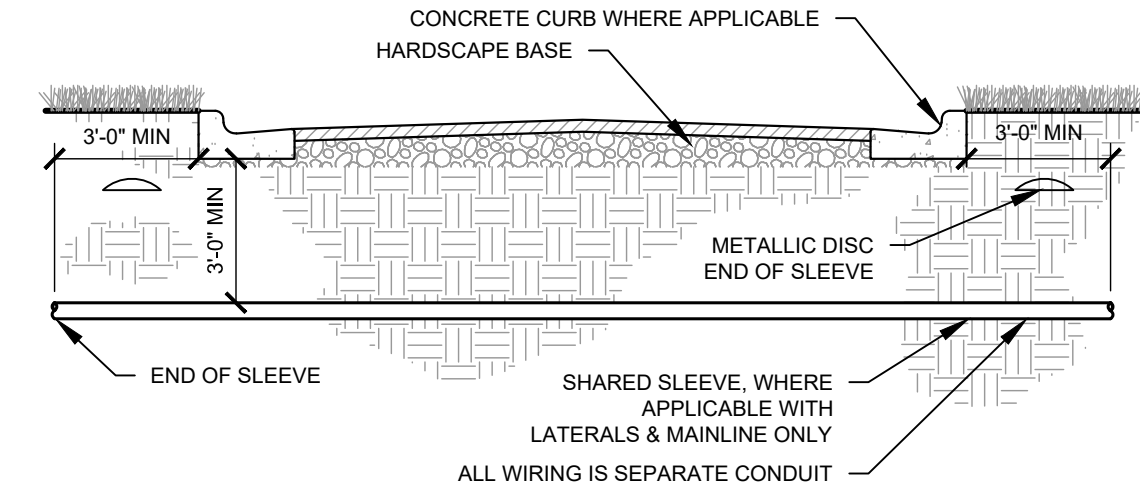
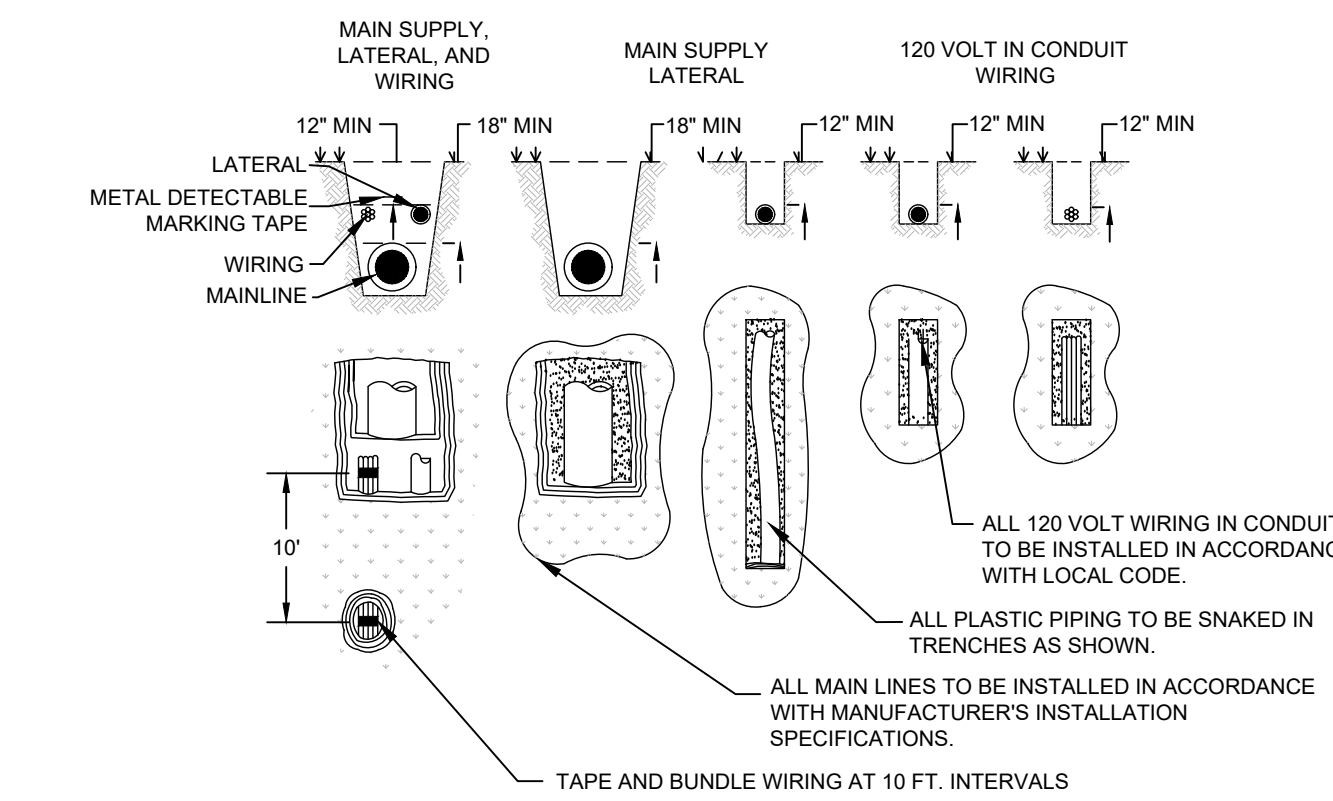
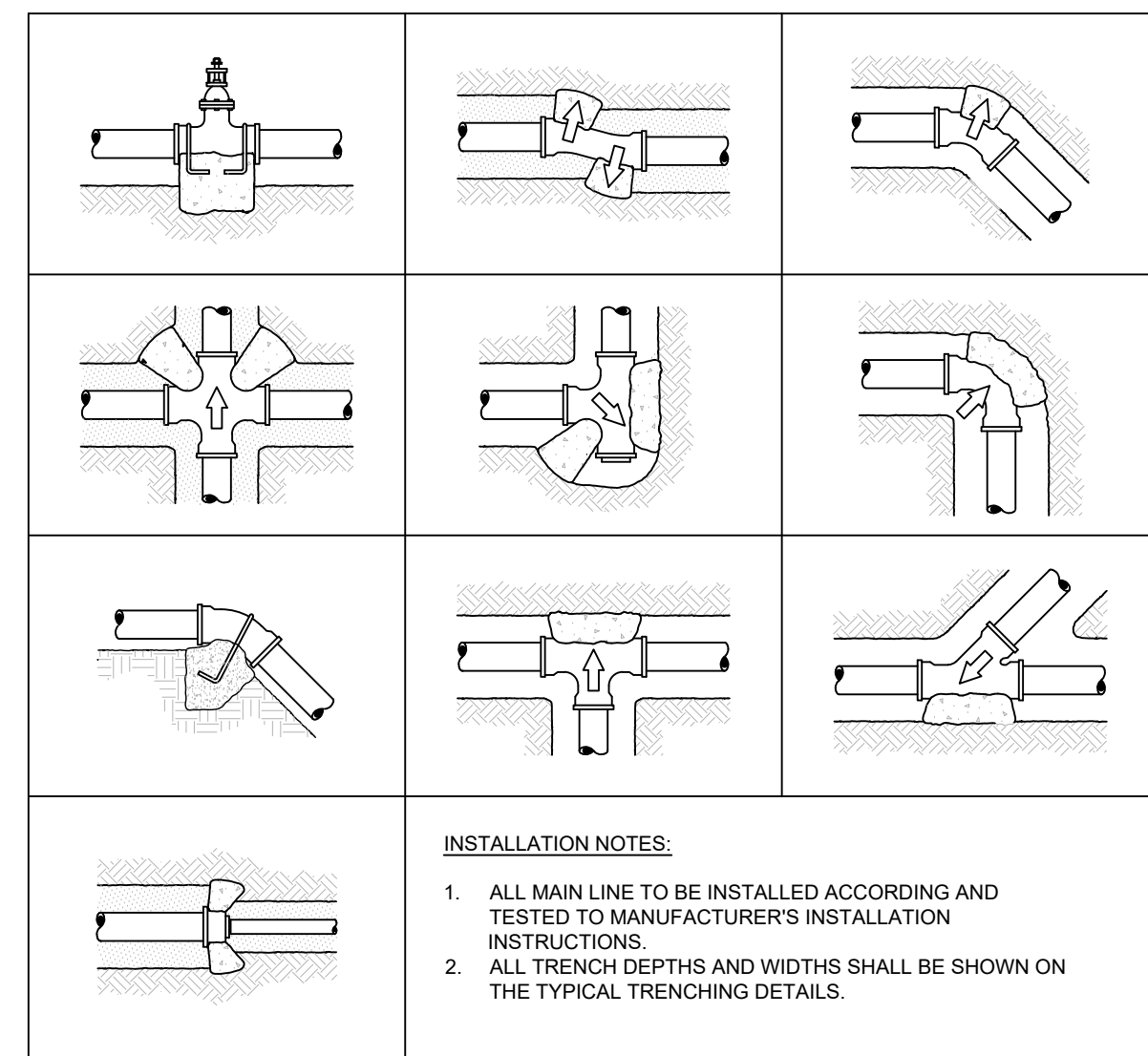
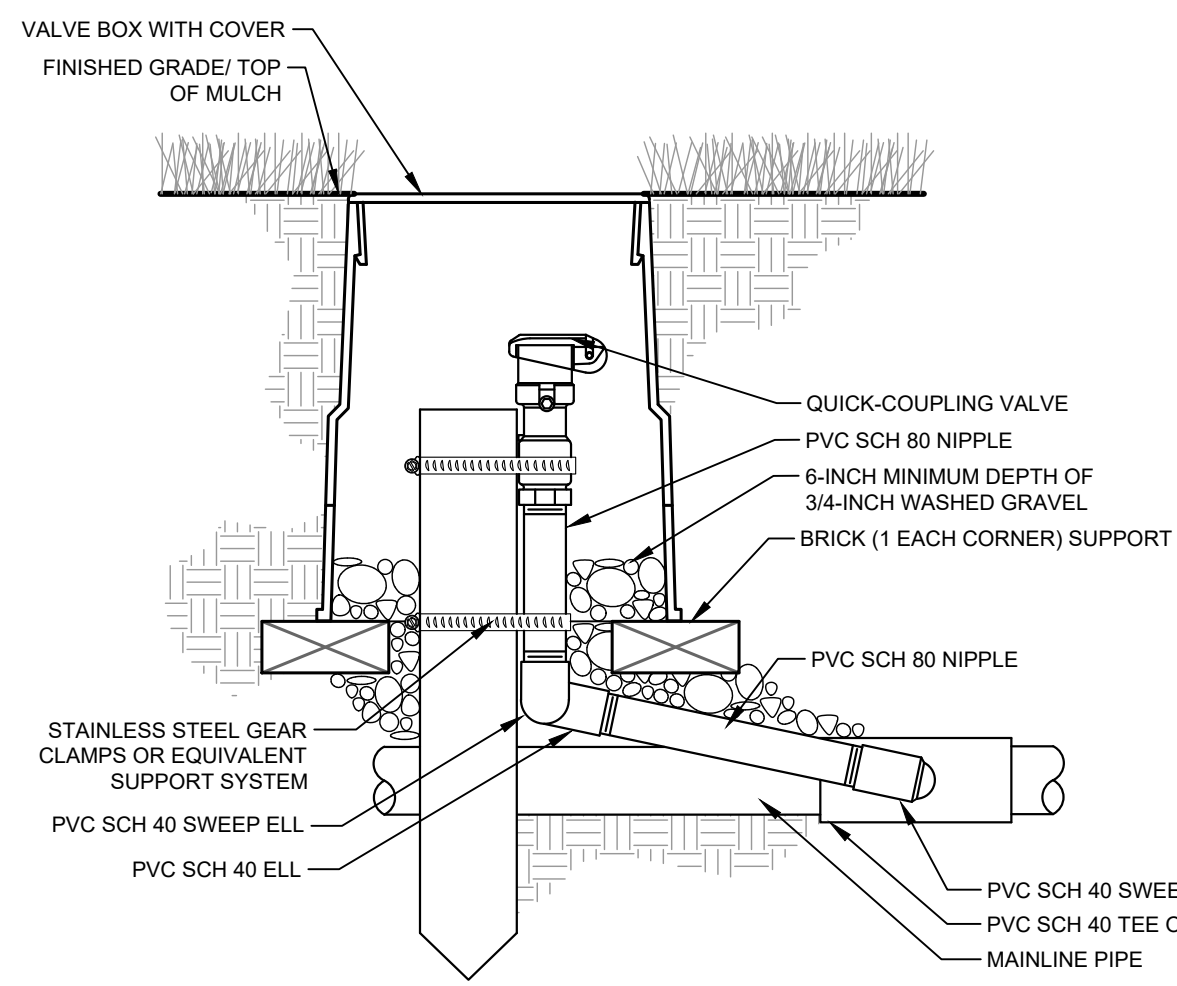
- 1 FINISH GRADE/TOP OF MULCH
- 2 VALVE BOX WITH LOCKING COVER
- 3 REMOTE CONTROL VALVE
- 4 30-INCH LINEAR LENGTH OF WIRE, COILED
- 5 WATERPROOF CONNECTION
- 6 ID TAG
- 7 PRESSURE REGULATING QUICK CHECK BASKET FILTER
- 8 PVC SCH 80 NIPPLE (LENGTH AS REQUIRED)
- 9 PVC SCH 40 ELL
- 10 PVC SCH 80 NIPPLE (2-INCH LENGTH, HIDDEN) AND PVC SCH 40 ELL
- 11 PVC SCH 40 TEE OR ELL
- 12 MAINLINE PIPE
- 13 6-INCH MINIMUM DEPTH OF 3/4-INCH WASHED GRAVEL
- 14 PVC SCH 80 NIPPLE, CLOSE
- 15 PVC SCH 40 ELL
- 16 PVC SCH 40 TEE
- 17 LATERAL PIPE
- 18 PVC SCH 40 FEMALE ADAPTOR



1 TYPICAL SPRAY / ROTAR HEAD

2 DRIP ZONE VALVE KIT

3 REMOTE CONTROL VALVE

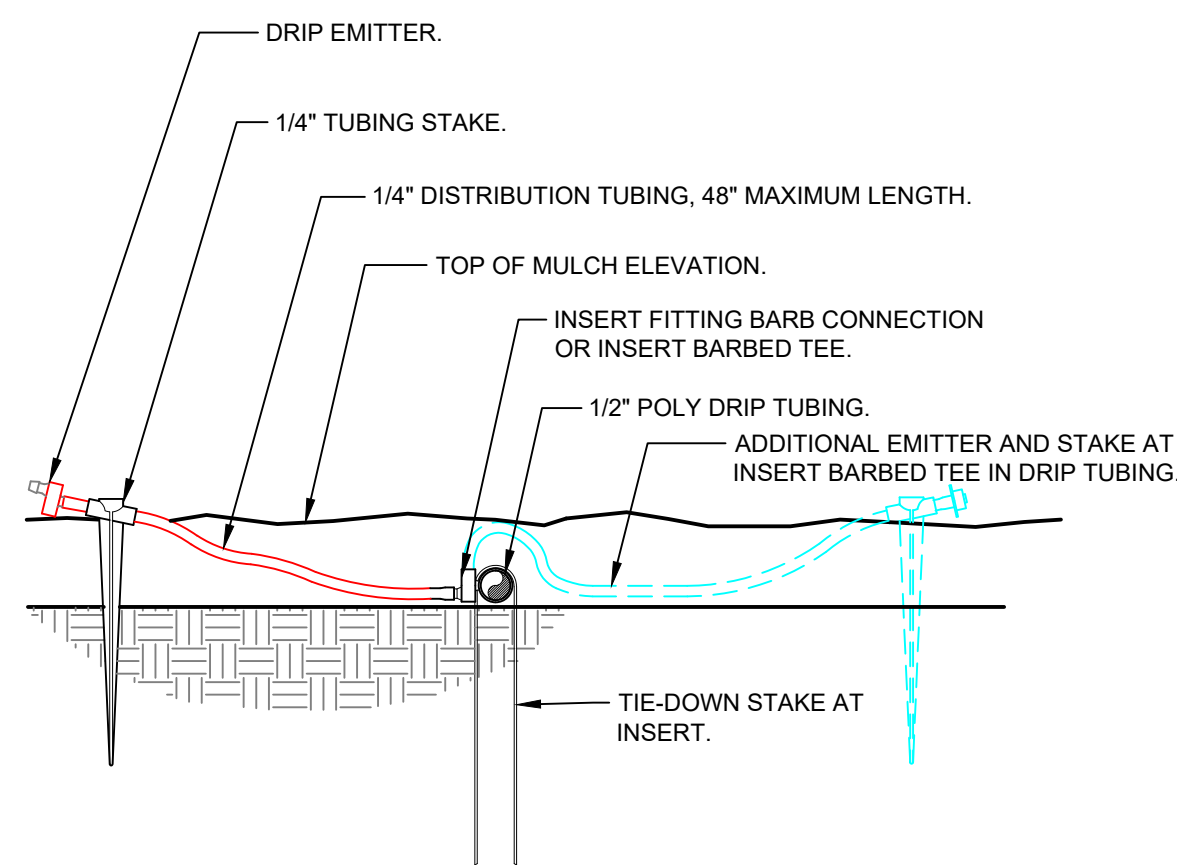


4 TYPICAL QUICK COUPLER

5 TYPICAL THRUST BLOCK

6 TYPICAL TRENCHING

7 TYPICAL SLEEVING



9 DRIP EMITTER AT 1/4\"/>

VALVE SCHEDULE

NUMBER	MODEL	SIZE	TYPE	GPM	WIRE	PSI	PSI @ POC	PRECIP
1	RAIN BIRD PEB	1-1/2"	TURF ROTARY	21.78		50.6		0.39 in/h
2	RAIN BIRD PEB	1-1/2"	TURF ROTARY	33.63		56.0		0.61 in/h
3	RAIN BIRD XCZ-100-PRB-COM	1"	AREA FOR DRIP EMITTERS	4.08		34.0		0.24 in/h
4	RAIN BIRD XCZ-100-PRB-COM	1"	BUBBLER	3		32.4		1.01 in/h
5	RAIN BIRD PEB	1-1/2"	TURF ROTARY	34.42		52.8		0.36 in/h
6	RAIN BIRD PEB	1-1/2"	TURF ROTARY	33.42		50.8		0.36 in/h
7	RAIN BIRD PEB	1"	TURF ROTARY	19.32		50.0		0.48 in/h
8	RAIN BIRD PEB	1"	TURF ROTARY	6.67		49.5		0.5 in/h
9	RAIN BIRD PEB	1-1/2"	TURF ROTARY	39.31		51.7		0.54 in/h
10	RAIN BIRD PEB	1-1/2"	TURF ROTOR	56.21		52.8		1.91 in/h
11	RAIN BIRD PEB	1-1/2"	TURF ROTOR	56.21		53.6		1.0 in/h
12	RAIN BIRD PEB	1-1/2"	TURF ROTOR	48.18		52.3		0.5 in/h
13	RAIN BIRD PEB	1-1/2"	TURF ROTOR	48.18		52.3		0.85 in/h
14	RAIN BIRD PEB	1-1/2"	TURF ROTOR	48.18		52.5		0.67 in/h
15	RAIN BIRD PEB	1-1/2"	TURF ROTOR	48.18		51.9		1.3 in/h
16	RAIN BIRD PEB	1-1/2"	TURF ROTOR	48.18		51.4		0.54 in/h
17	RAIN BIRD PEB	1-1/2"	TURF ROTOR	48.18		52.5		0.8 in/h
18	RAIN BIRD PEB	1-1/2"	TURF ROTARY	46.59		50.8		0.39 in/h
19	RAIN BIRD PEB	1-1/2"	TURF ROTARY	48.25		51.2		0.33 in/h
20	RAIN BIRD PEB	1-1/2"	TURF ROTARY	44.94		52.6		0.37 in/h
21	RAIN BIRD PEB	1-1/2"	TURF ROTARY	68.86		57.8		0.35 in/h

CRITICAL ANALYSIS

Generated: 2022-11-10 14:28

P.O.C. NUMBER: 01
Water Source Information:

FLOW AVAILABLE
Water Meter Size: 4"
Flow Available: 339.89 GPM

PRESSURE AVAILABLE
Static Pressure at POC: 80 PSI
Elevation Change: 5.00 ft
Service Line Size: 4"
Length of Service Line: 20 ft
Pressure Available: 77 PSI

DESIGN ANALYSIS
Maximum Station Flow: 56.21 GPM
Flow Available at POC: 339.89 GPM
Residual Flow Available: 283.68 GPM

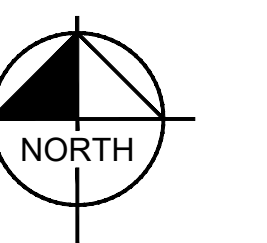
Critical Station: 21
Design Pressure: 45 PSI
Friction Loss: 7.16 PSI
Fittings Loss: 0.72 PSI
Elevation Loss: 0 PSI
Loss through Valve: 4.96 PSI
Pressure Req. at Critical Station: 67.0 PSI
Loss for Fittings: 0.28 PSI
Loss for Main Line: 2.64 PSI
Loss for POC to Valve Elevation: 0 PSI
Loss for Backflow: 15 PSI
Loss for Water Meter: 1 PSI
Critical Station Pressure at POC: 76.0 PSI
Pressure Available: 77 PSI
Residual Pressure Available: 1.05 PSI



CONSTRUCTION DOCUMENTS

Drawn: JCP
Checked: JH
Issued: 30 March 2022
Revised: 19 October 2022
CCD 019 14 November 2022

Area Key Plan



GRAPHIC SCALE IN FEET
0 10 20 30



IRRIGATION PLAN

IR1.1

GENERAL IRRIGATION SPECIFICATIONS AND NOTES

1. THE SYSTEM SHALL BE DESIGNED TO PROVIDE 100% COVERAGE. ANY CHANGES MADE IN THE LAYOUT DUE TO FIELD CONDITIONS SHALL BE IN ACCORDANCE WITH THESE STANDARDS. CONTRACTOR SHALL NOTIFY LANDSCAPE ARCHITECT OF ANY DISCREPANCIES IN PLANS OR SPECIFICATIONS PRIOR TO BEGINNING OR CONTINUING WORK. THIS PLAN IS SCHEMATIC AND DUE TO THE NATURE OF CONSTRUCTION SLIGHT FIELD MODIFICATIONS MAY BE NECESSARY TO IMPLEMENT PLAN.
2. THE CONTRACTOR SHALL MAKE NO SUBSTITUTIONS, DELETIONS, OR ADDITIONS TO THIS PLAN WITHOUT APPROVAL OF THE LANDSCAPE ARCHITECT.
3. ALL CONSTRUCTION SHALL CONFORM TO TOWN, COUNTY, STATE, AND FEDERAL REQUIREMENTS. IT SHALL BE THE RESPONSIBILITY OF THE IRRIGATION CONTRACTOR TO ENSURE THAT ALL IRRIGATION EQUIPMENT MEETS GOVERNMENT REGULATIONS. CONTRACTOR SHALL ALSO BE RESPONSIBLE FOR OBTAINING ANY NECESSARY PERMITS OR APPROVALS.
4. VERIFY LOCATIONS OF ALL UNDERGROUND UTILITIES PRIOR TO INSTALLATION OF IRRIGATION SYSTEM. ALL UTILITIES AND STRUCTURES MAY NOT BE SHOWN ON THESE PLANS-CONTRACTOR SHALL FIELD VERIFY.
5. CONTRACTOR TO VERIFY ACTUAL AVAILABLE WATER PRESSURE BEFORE BEGINNING INSTALLATION. CONTRACTOR SHALL NOTIFY LANDSCAPE ARCHITECT IF AVAILABLE WATER PRESSURE EXCEEDS 5 PSI HIGHER OR LOWER THAN AVAILABLE WATER PRESSURE. REFER TO CRITICAL ANALYSIS FOR ASSUMED STATIC PRESSURE.
6. CONTRACTOR TO FIELD VERIFY ALL POINT OF CONNECTION SOURCE INFORMATION INCLUDING PSI AND GPM PRIOR TO CONSTRUCTION.
7. IRRIGATION DESIGN IS SCHEMATIC ONLY. FULL AND COMPLETE SHOP DRAWINGS SHALL BE SUBMITTED FOR REVIEW BY THE OWNER'S REPRESENTATIVE.
8. CONTRACTOR SHALL COORDINATE WITH THE PLANTING PLAN FOR PLANTER BED AND TREE LOCATIONS TO ENSURE ALL PLANT MATERIAL IS COVERED BY 100% HEAD-TO-HEAD IRRIGATION.
9. CONTRACTOR SHALL PROVIDE "AS-BUILT" DRAWINGS OF THE FINAL INSTALLATION TO OWNER AT SUBSTANTIAL COMPLETION BEFORE RECEIVING FINAL PAYMENT.
10. IRRIGATION CONTRACTOR TO COORDINATE POWER SUPPLY TO ELECTRIC CONTROLLERS WITH ELECTRICAL CONTRACTOR.
11. IRRIGATION CONTRACTOR SHALL SECURE ANY AND ALL NECESSARY PERMITS FOR THE WORK PRIOR TO COMMENCEMENT OF HIS OPERATIONS ON-SITE. COPIES OF THE PERMITS SHALL BE SENT TO THE OWNER/GENERAL CONTRACTOR. WORK IN THE R.O.W. SHALL CONFORM TO THE STANDARDS AND SPECIFICATIONS OF LOCAL AND/OR STATE JURISDICTION.
12. IRRIGATION LATERAL LINES, MAIN LINES AND EQUIPMENT MAY BE SHOWN OUTSIDE PROPERTY LINES ON THIS PLAN. ALL IRRIGATION LINES AND EQUIPMENT ARE TO BE WITHIN AND INSTALLED WITHIN THE LIMITS OF THE PROPERTY LINE.
13. LOCATE ALL IRRIGATION LINES WITHIN LANDSCAPED AREAS WHENEVER POSSIBLE. ALL LINES UNDER PAVEMENT MUST BE SLEEVED. ALL VALVES SHALL BE LOCATED WITHIN LANDSCAPED AREAS, AS SPECIFIED.
12. IRRIGATION SYSTEMS CONNECTED TO POTABLE WATER SUPPLY, SHALL HAVE A BACKFLOW PREVENTER INSTALLED.
13. SUPPLY LINE AND METER TO BE PROVIDED BY GENERAL CONTRACTOR. BACKFLOW PREVENTER TO BE PROVIDED BY IRRIGATION CONTRACTOR. IRRIGATION CONTRACTOR'S POINT OF CONNECTION TO BEGIN AFTER THE IRRIGATION WATER METER.
14. INSTALL ALL BACKFLOW PREVENTION DEVICES AND ALL PIPING BETWEEN THE POINT OF CONNECTION AND THE BACKFLOW PREVENTER AS PER LOCAL CODES. FINAL LOCATION SHALL BE DETERMINED BY THE OWNER'S AUTHORIZED REPRESENTATIVE.
15. CONTRACTOR TO COORDINATE LOCATION OF ALL METERS AND BACKFLOW ASSEMBLIES WITH PROJECT OWNER.
16. THE IRRIGATION CONTRACTOR SHALL BE DIRECTLY RESPONSIBLE FOR SLEEVING AND DIRECTIONAL BORES.
17. EXISTING TREES TO REMAIN ARE TO BE PROTECTED FROM DAMAGE. DO NOT TRENCH OR EXCAVATE WITHIN THE CRITICAL ROOT ZONE OF ANY TREE.
18. ALL SLEEVES UTILIZED BY THE IRRIGATION CONTRACTOR WHETHER INSTALLED BY HIM OR NOT, SHALL BE LOCATED ON THE "AS-BUILT" DRAWINGS. THE DEPTH BELOW FINISH GRADE, TO THE NEAREST FOOT OF EACH END OF THE SLEEVE SHALL BE NOTED AT EACH SLEEVE LOCATION ON THE "AS-BUILT" DRAWINGS. ALL SLEEVES ON PLAN FOR WALL PENETRATIONS AND UNDER SIDEWALKS SHALL BE SIZED TWO PIPE SIZES GREATER THAN THE PIPE IT CARRIES. ALL IRRIGATION SLEEVING TO BE THE RESPONSIBILITY OF THE IRRIGATION CONTRACTOR. ELECTRICAL WIRES FOR IRRIGATION VALVES AND IRRIGATION LINES ARE TO BE PLACED IN SEPARATE SLEEVES. SEE SLEEVING DETAIL.
19. ALL PRESSURIZED MAINLINES AND LATERALS UNDER PAVEMENT SHALL BE WITHIN SLEEVES AS NOTED. WHERE ELECTRIC OR HYDRAULIC VALVE CONTROL LINES PASS THROUGH A SLEEVE WITH OTHER MAIN OR LATERAL LINES THEY SHALL BE CONTAINED WITHIN A SEPARATE, SMALLER CONDUIT.
20. SLEEVES UNDER EXISTING PAVEMENT MUST BE DIRECTIONAL BORE. OPEN CUT IS NOT AN OPTION.
21. NUMBER THE TOP OF ALL VALVE BOX LIDS WITH MINIMUM 1" HEIGHT BLACK LETTERS TO CORRESPOND TO AUTOMATIC AND GATE VALVE DESIGNATIONS. ALL HOSE BIBB VALVE BOXES SHALL BE LABELED IN A SIMILAR MANNER WITH THE DESIGNATION "HB". LETTER OUTSIDE OF TIME CLOCK CABINETS TO CORRESPOND WITH IRRIGATION CLOCK PROGRAM DESIGNATION.
22. THE IRRIGATION CONTRACTOR SHALL INSTALL A COLOR CODED METAL DETECTABLE MARKING TAPE WHICH CLEARLY NOTES "CAUTION: IRRIGATION LINE BURIED BELOW". THE TAPE SHALL BE INSTALLED THE FULL LENGTH OF THE IRRIGATION MAINLINE.
23. ALL VALVES, SPLICES WITHIN CONTROL LINES, AND QUICK COUPLERS SHALL BE LOCATED WITHIN VALVE BOXES.
24. ALL UNSIZED PIPE SHALL BE 3/4" UNLESS OTHERWISE NOTED ON PLAN. SEE LATERAL PIPE SIZING REQUIREMENTS.
25. LOCATE ALL VALVES IN PLANTING BEDS WITH A MINIMUM OF 3'-0" FROM BACK OF CURB OR EDGE OF PAVEMENT. UNLESS OTHERWISE NOTED, PIPE SIZES ON EITHER SIDE OF SECTION VALVES CONNECTING MAINLINE TO SECTION LATERAL SHALL BE ONE (1) PIPE SIZE LARGER THAN VALVE SIZE. WHERE MAINLINES RUN PARALLEL TO PAVEMENT OR CURBING, THE MAINLINE SHALL BE OFFSET 2'-0" FROM THE EDGE OF PAVEMENT OR CURB.
26. IRRIGATION ZONES SHALL BE SEPARATED FOR HIGH AND LOW WATER USE REQUIREMENTS AND OPERATED ON DIFFERENT WATERING CYCLES. BUBBLERS, DRIPLINE, AND SPRAY HEADS SHALL BE SEPARATED ON DIFFERENT VALVES. AT NO TIME SHALL MULTIPLE IRRIGATION HEAD TYPES BE LOCATED ON THE SAME VALVE.
27. ALL DRIP ZONES SHALL BE INSTALLED WITH A FLUSH VALVE AND DRIP INDICATOR.
28. IRRIGATION CONTRACTOR TO COORDINATE WITH OWNER FOR FINAL CONTROLLER AND RAIN SENSOR LOCATIONS. THE CONTROLLER SHALL BE PLACED IN A LOCKING CABINET APPROPRIATE FOR ITS LOCATION. (INDOOR VS. OUTDOOR USE)
29. IRRIGATION CONTRACTOR SHALL REVIEW WINTERIZATION PROCEDURES FOR IRRIGATION SYSTEM WITH OWNERS REPRESENTATIVE.
30. LOCATE THE AUTOMATIC RAIN / FREEZE SENSOR SHUTOFF DEVICE IN AN AREA THAT IS UNOBSTRUCTED BY TREES, ROOF OVERHANGS, OR ANY OTHER OVERHEAD OBJECT. THE SENSOR SHALL NOT BE PLACED WITHIN THE SPRAY ZONE OF ANY SPRINKLER HEAD, INCLUDING OFF-SITE IRRIGATION. CONTRACTOR SHALL LOCATE SENSOR WITHIN CLOSE PROXIMITY TO THE IRRIGATION CONTROLLER.
31. CONTRACTOR SHALL PERFORM HYDRO-TESTING OF MAIN LINES.
HYDRO-TESTING TO BE PERFORMED AS LISTED:
THE CONTRACTOR SHALL NOTIFY THE OWNER'S REPRESENTATIVE FORTY-EIGHT (48) HOURS IN ADVANCE OF TESTING. PRIOR TO BACKFILLING, CONTRACTOR SHALL FILL PIPING WITH WATER. IN THE PRESENCE OF THE OWNER'S REPRESENTATIVE, TAKING CARE TO PURGE THE AIR FROM IT. A SMALL, HIGH PRESSURE PUMP OR OTHER MEANS OF MAINTAINING A CONTINUOUS WATER SUPPLY SHALL BE CONNECTED TO THE PIPING AND SET SO AS TO MAINTAIN 125 PSI FOR TWO (2) HOURS WITHOUT INTERRUPTION. CONTRACTOR SHALL MAKE ANY NECESSARY CORRECTIONS AND RETEST THE SYSTEM UNTIL THE OWNER'S REPRESENTATIVE IS SATISFIED THAT THE SYSTEM IS REASONABLY SOUND.
32. ALL WIRING FOR CONNECTION OF THE VALVES TO THE CONTROLLER SHALL FOLLOW MANUFACTURERS SPECIFICATIONS.
33. ALL CONTROL WIRE SHALL BE INSTALLED IN A 1 1/2" ELECTRICAL CONDUIT.
34. CONTRACTOR TO MINIMIZE IRRIGATION OVERTHROW TO IMPERVIOUS AND NATURAL AREAS THROUGH FIELD ADJUSTMENTS TO INDIVIDUAL HEADS.
35. ALL UNIMPROVED AREAS DISTURBED DURING CONSTRUCTION SHALL BE RESTORED TO THEIR ORIGINAL CONDITION BY THE CONTRACTOR.
36. ALL PLANT MATERIAL IN TREE HOLDING AREAS SHALL BE MANUALLY WATERED/IRRIGATED TO KEEP MOIST UNTIL PLANTED.

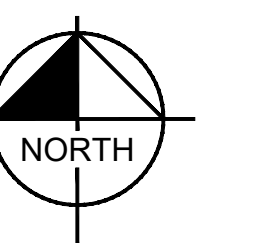
Widefield Parks and Recreation Facility Expansion
705 Aspen Drive, Colorado Springs, CO 80911
Widefield School District 3
1820 Main Street
Colorado Springs, CO, 80911



CONSTRUCTION DOCUMENTS

Drawn: **JCP**
Checked: **JH**
Issued: 30 March 2022
Revised: 19 October 2022
CCD 019 14 November 2022

Area Key Plan



IRRIGATION PLAN

IR1.2