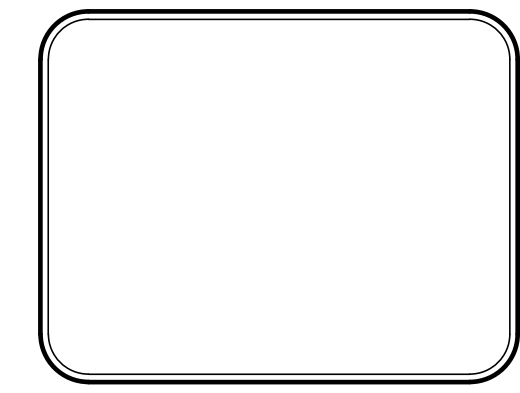
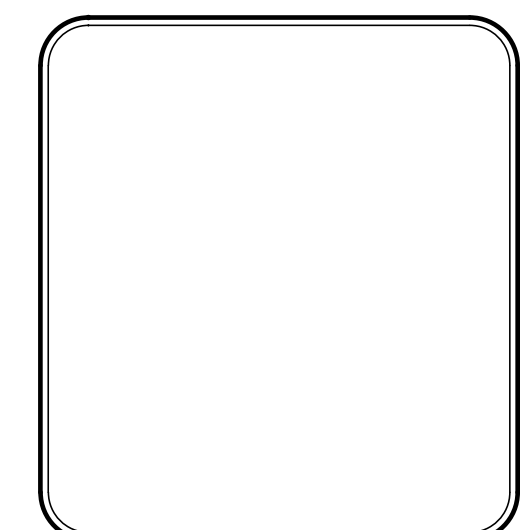


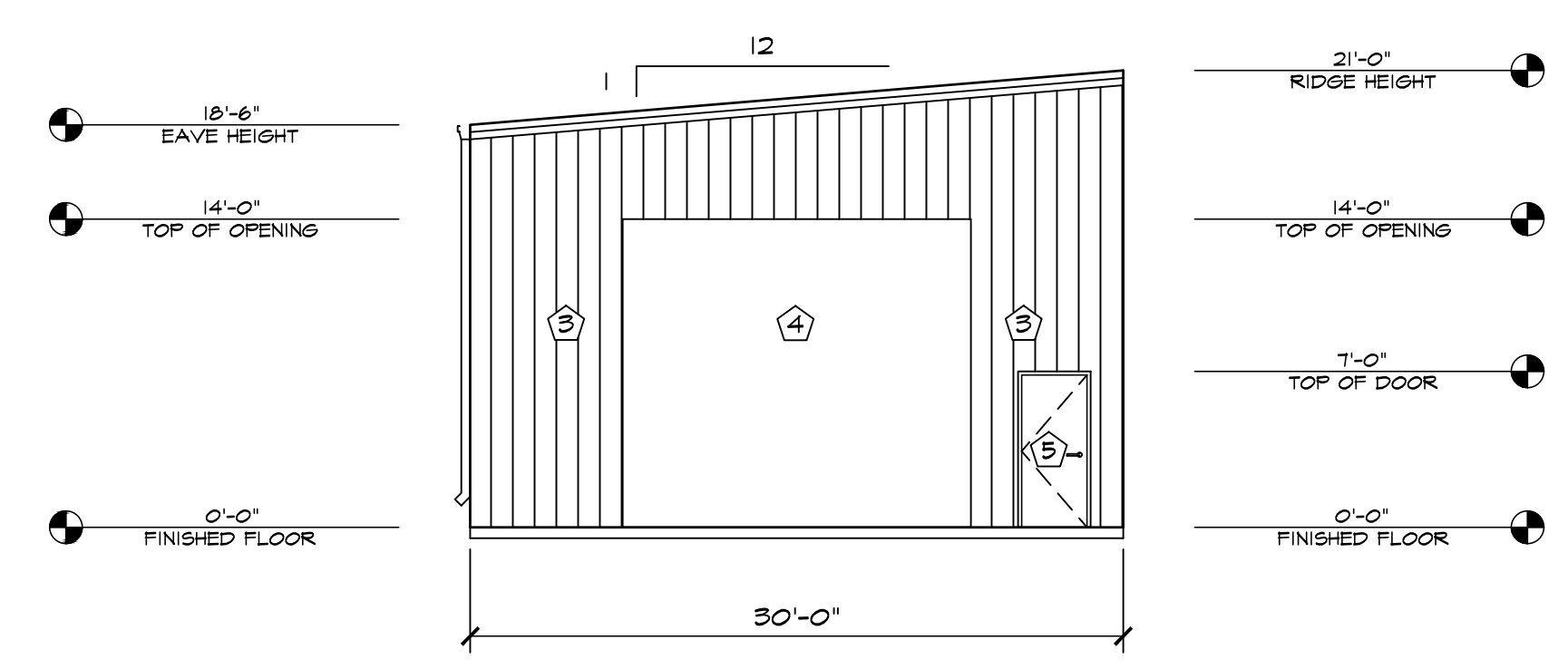
THIS DRAWING CONTAINS MATERIAL & INFORMATION WHICH MAY NOT BE REPRODUCED WITHOUT WRITTEN CONSENT OF HAMMERS CONSTRUCTION INC. THESE DRAWINGS ARE INTENDED TO BE USED ONLY BY HAMMERS CONSTRUCTION & ITS REPRESENTATIVES. THESE DRAWINGS HAVE NOT BEEN PREPARED FOR ANY OTHER PURPOSE THAN TO INDICATE THE GENERAL FEATURES AND PLACEMENT OF THE PROPOSED PROJECT. COPYRIGHT © 2022 HAMMERS CONSTRUCTION

PREMIER AUTO & RV
WAREHOUSE BUILDING
11155 E. HIGHWAY 24
FALCON, CO 80531
EL PASO COUNTY, COLORADO

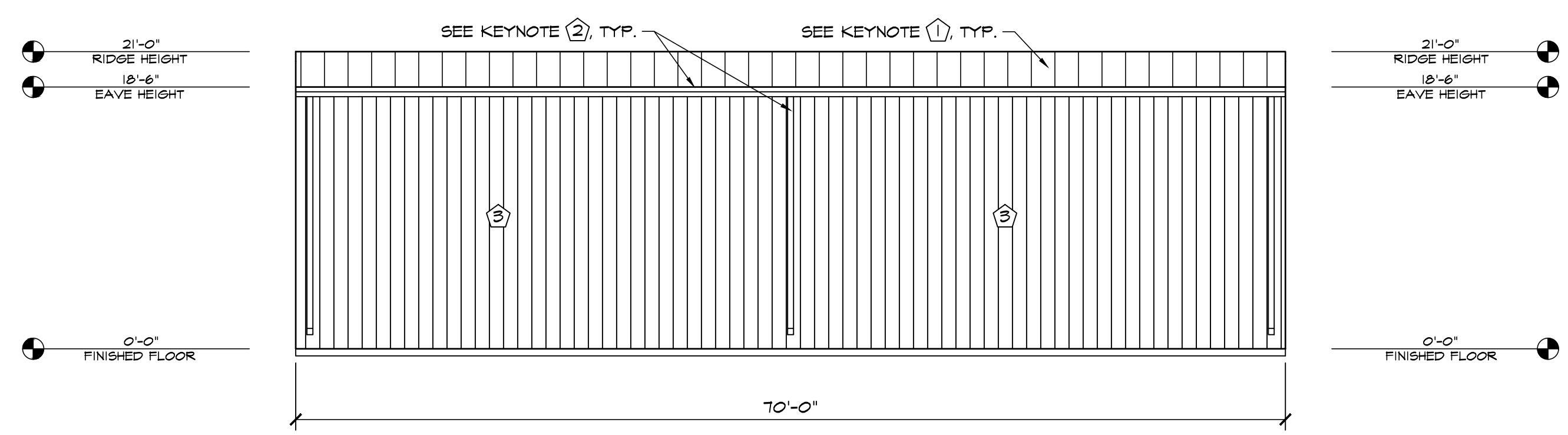


DATE: SEPT 22, 2022
DRAWN BY: J. LATHAM
PROJ. MGR: P. HOLLAROUS
SCALE: SEE PLAN
APPROVED BY:
JOB NO: 1313

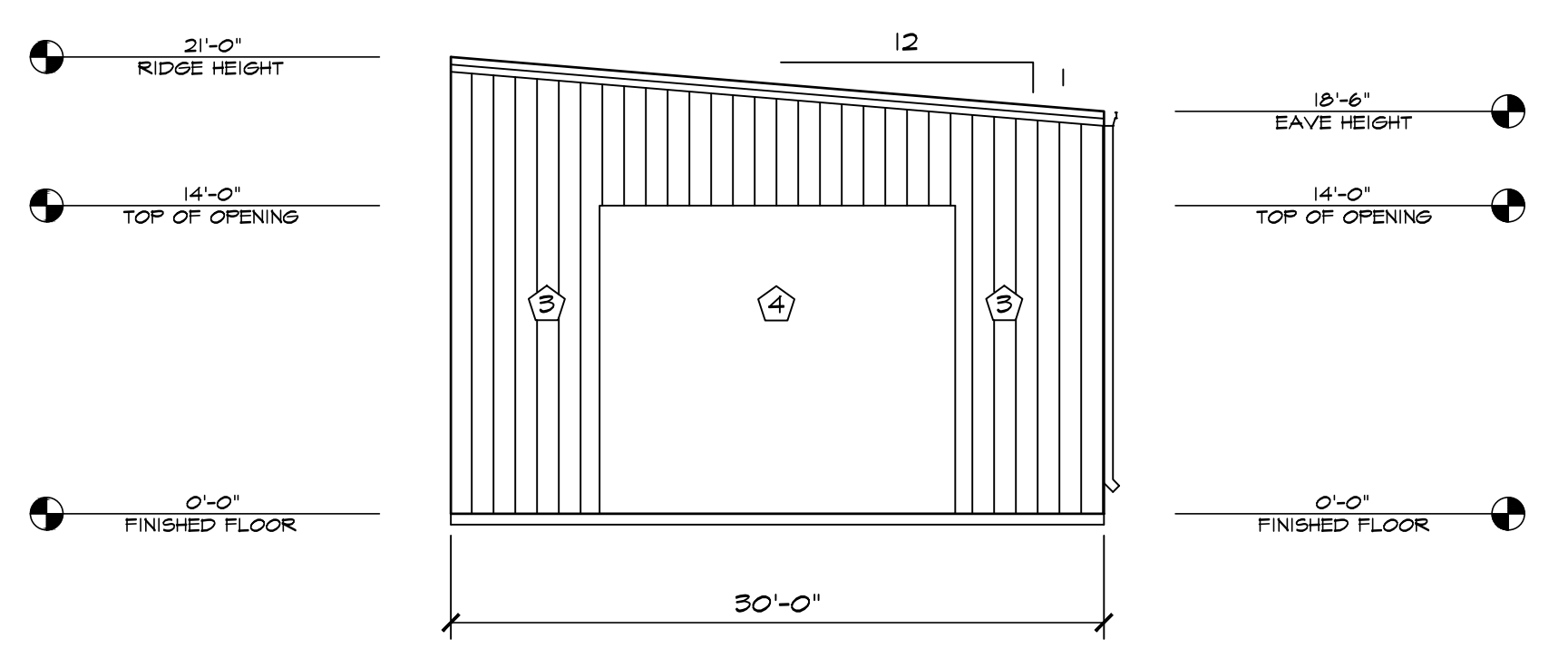
△	RESUBMITTALS:
△	_____
△	_____
△	_____
△	_____
△	_____



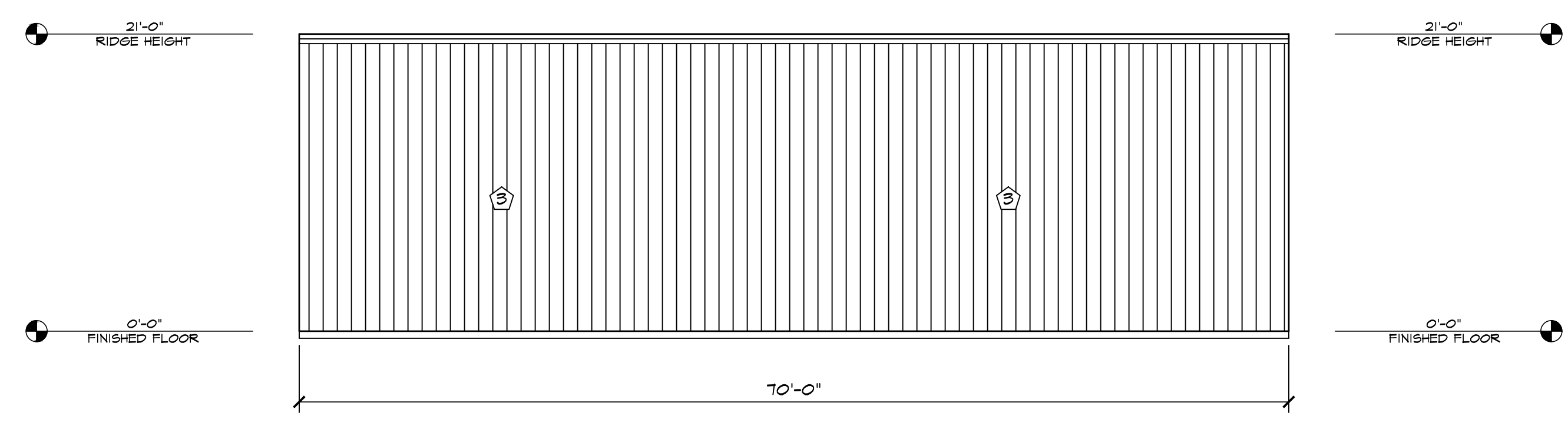
1 WEST ELEVATION
SCALE: 1/8"=1'-0"



2 NORTH ELEVATION
SCALE: 1/8"=1'-0"



3 EAST ELEVATION
SCALE: 1/8"=1'-0"



4 SOUTH ELEVATION
SCALE: 1/8"=1'-0"

ELEVATION KEY NOTES	
1	PREFINISHED 24 GA. "PBR" METAL ROOF PANELS BY METAL BUILDING PROVIDER
2	PREFINISHED GUTTER & DOWNSPOUTS BY METAL BUILDING PROVIDER
3	PREFINISHED 26 GA. "PBR" METAL WALL PANELS BY METAL BUILDING PROVIDER
4	16'-0" x 14'-0" OPENING
5	3'-0" x 7'-0" WALK DOOR