



INNOVATIVE DESIGN. CLASSIC RESULTS.

**DRAINAGE LETTER
FOR
STERLING RANCH ROAD
CROSSING OF SAND CREEK**

Prepared for:
CLASSIC SRJ LAND, LLC
2138 FLYING HORSE CLUB DRIVE
COLORADO SPRINGS CO 80921
(719) 592-9333

Prepared by:
CLASSIC CONSULTING
619 N. CASCADE AVE SUITE 200
COLORADO SPRINGS CO 80903
(719) 785-0790

Job No. 1183.11

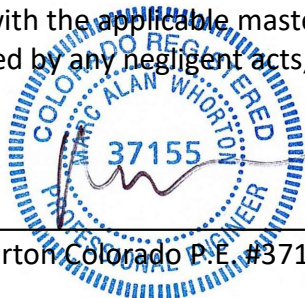
PCD Project No. CDR-226



DRAINAGE LETTER FOR STERLING RANCH ROAD CROSSING OF SAND CREEK

ENGINEER'S STATEMENT:

The attached drainage plan and report were prepared under my direction and supervision and are correct to the best of my knowledge and belief. Said drainage report has been prepared according to the criteria established by the County for drainage reports and said report is in conformity with the applicable master plan of the drainage basin. I accept responsibility for any liability caused by any negligent acts, errors, or omissions on my part in preparing this report.



Marc A. Whorton, Colorado P.E. #37155

11/29/2022

Date

OWNER'S/DEVELOPER'S STATEMENT:

I, the owner/developer, have read and will comply with all of the requirements specified in this drainage report and plan.

Business Name: CLASSIC SRJ LAND, LLC

By: Corey J. Morland

Title: VICE PRESIDENT

Address: 2138 Flying Horse Club Drive

Colorado Springs, CO 80921

EL PASO COUNTY:

Filed in accordance with the requirements of the Drainage Criteria Manual, Volumes 1 and 2, El Paso County Engineering Criteria Manual and Land Development Code as amended.

Joshua Palmer, P.E.
County Engineer, / ECM Administrator

Date

Conditions:



DRAINAGE LETTER FOR STERLING RANCH ROAD CROSSING OF SAND CREEK

TABLE OF CONTENTS:

PURPOSE	Page 4
GENERAL DESCRIPTION	Page 4
DRAINAGE CONDITIONS	Page 5
SAND CREEK CHANNEL IMPROVEMENTS	Page 8
DRAINAGE CRITERIA	Page 8
FLOODPLAIN STATEMENT	Page 11
DRAINAGE AND BRIDGE FEES	Page 11
SUMMARY	Page 12
REFERENCES	Page 13

APPENDICES

VICINITY MAP
SOILS MAP (WEB SOIL SURVEY)
F.E.M.A. MAP / LOMR (08-08-0541P)
HYDRAULIC CALCULATIONS
REFERENCE MATERIAL (JR Engineering, LLC Report Excerpts)
SECTION 404 PERMITTING (2016 & 2022)
STERLING RANCH ROAD CULVERT DESIGN DOCUMENTS (KBJW)



DRAINAGE LETTER FOR STERLING RANCH ROAD CROSSING OF SAND CREEK

PURPOSE

The purpose of this Drainage Letter is to support the independent CDR submittal of the proposed culvert structure for Sterling Ranch Road crossing Sand Creek within the Sterling Ranch development. However, this reach of Sand Creek including this crossing has recently been submitted for required channel improvements associated with the development of Homestead North at Sterling Ranch Filing No. 1. Please reference the following documents prepared by JR Engineering, LLC for all roadway, drainage design and channel design at this crossing:

Sterling Ranch Road & Briargate Parkway Street Plans, dated October 2022

Drainage Letter for Sterling Ranch Rd. & Briargate Pkwy. Interim Plan, dated October 2022

MDDP Amendment for Sterling Ranch, dated October 2022

Final Design Report – Sand Creek Restoration, dated October 2022

Sand Creek Restoration – Public Improvement Plans, dated October 2022

Homestead North at Sterling Ranch Filing No. 1 Final Plat, dated June 2022

GENERAL DESCRIPTION

This proposed roadway crossing of Sand Creek is shown on the Sterling Ranch Sketch Plan, included in the Sterling Ranch MDDP, approved November 2018 and as mentioned above, now included within the Homestead North at Sterling Ranch Filing No. 1 Final Plat. It is located in section 33, township 12 south, range 65 west of the sixth principal meridian. The site is bounded on the north and south by the Sand Creek main channel, to the east by future Sterling Ranch East property (zoned for future urban development) and to the west by existing Sterling Ranch Road and existing residential development. The site is in the upper portion of the Sand Creek Drainage Basin. A public roadway crossing consisting of a BridgeCor Steel Arch Culvert (38'-1" span x 11'-11" high x 90 LF) with associated headwalls and wingwalls is proposed at this location.



The average soil condition reflects Hydrologic Group “B” (Pring coarse sandy loam) as determined by the “Web Soil Survey of El Paso County Area,” prepared by the Natural Resources Conservation Service (see map in Appendix).

DRAINAGE CONDITIONS

This crossing is located in the upper portion of the Sand Creek drainage basin within the southern portion of the Sterling Ranch Sketch Plan. Sterling Ranch Road is planned as a non-residential collector roadway (80’ ROW) at this location. This roadway will be final platted along with the Homestead North at Sterling Ranch Filing No. 1 Final Plat. The adjacent Sand Creek channel both upstream and downstream will be final platted with the future adjacent subdivisions.

Nearly the entire site, other than the Sand Creek corridor, is mainly covered with native grasses with few or no trees. Some minor disturbance due to adjacent roadway construction and utility installation has taken place west of the crossing. (Sterling Ranch Road) This portion of Sand Creek (Reach SC-8) was originally studied in the “Sand Creek Drainage Basin Planning Study” (DBPS) prepared by Kiowa Engineering Corporation, March 1996. However, all required improvements to the Sand Creek channel within this reach are described in separate reports prepared by JR Engineering, “Final Design Report for Sand Creek Restoration”, dated October 2022 and “MDDP Amendment for Sterling Ranch”, dated October 2022. Please reference these reports along with the “Master Development Drainage Plan for Sterling Ranch”, prepared by M&S Civil Consultants, approved November 2018 for all drainage information, creek improvement requirements, associated wetland mitigation plans and permitting within jurisdictional waters.

The following references from the above previous reports represent the tributary area and flow design points for this Sand Creek crossing:



MDDP for Sterling Ranch – 2018

Pre-Developed Condition at Design Point 63 (South Boundary of Sterling Ranch Property)

$Q_2 = 251.4$ cfs, $Q_5 = 430.7$ cfs, $Q_{100} = 1911.5$ cfs

Developed Condition at Design Point 63 (South Boundary of Sterling Ranch Property)

$Q_2 = 154.4$ cfs, $Q_5 = 201.0$ cfs, $Q_{100} = 1385.1$ cfs

Developed Condition at Design Point 68 (Sterling Ranch Road crossing of Sand Creek)

$Q_2 = 214.6$ cfs, $Q_5 = 374.5$ cfs, $Q_{100} = 2204.1$ cfs

FEMA

FIS Flow Rate at Design Point 68 (Sterling Ranch Road crossing of Sand Creek)

$Q_{100} = 2600$ cfs

MDDP Amendment for Sterling Ranch – 2022

Release from Pond W3 at Design Point 68 (Sterling Ranch Road crossing of Sand Creek)

$Q_{100} = 1580$ cfs

As described in the MDDP Amendment – 2022, the FIS flow rate of 2600 cfs has been utilized for the channel design and the design of the existing stock pond outlet structure release and in-line detention pond W3. However, these two facilities design now reduces the peak 100-yr. release directly into the proposed culvert crossing at Sterling Ranch Road to $Q_{100} = 1580$ cfs. Based on this flow rate the proposed culvert calculations meet the criteria found in the DCM Vol. 1 6.4.2. which provides the 2 feet minimum freeboard within the structure.



Prior to the construction of these two upstream facilities within the channel, the flows remain as described above: $Q_{100} = 2600$ cfs (FEMA) and $Q_{100} = 1911.5$ cfs (MDDP-2018). The following represents the freeboard provided in these three 100-yr. flow conditions (See Appendix for HY-8 Calculations):

BridgeCor Steel Culvert upstream invert elevation: 7000.88

BridgeCor Steel Culvert inside top of structure elevation: 7012.80

$Q_{100} = 1580$ cfs

Headwater Elevation 7008.44

Freeboard provided 4.36'

$Q_{100} = 1912$ cfs

Headwater Elevation 7009.27

Freeboard provided 3.53'

$Q_{100} = 2600$ cfs

Headwater Elevation 7010.90

Freeboard provided 1.90'

Based on the anticipated plan approval and construction timeframe for the Sand Creek channel improvements including the two upstream facilities vs. the approval/construction schedule for the proposed culvert crossing, there seems to be only a 6-9 month difference. Only in this timeframe would the culvert have a slight chance of ever seeing flows greater than the ultimate planned $Q_{100} = 1580$ cfs as described in the "Final Design Report for Sand Creek Restoration", prepared by JR Engineering, LLC, dated October 2022 and "Sand Creek Restoration – Public Improvement Plans", also prepared by JR Engineering, LLC, dated October 2022.



This proposed public roadway crossing of Sand Creek is planned along with the construction of this portion of Sterling Ranch Road, final platted with Homestead North at Sterling Ranch Filing No. 1. The proposed crossing will consist of a single cell BridgeCor Steel Box (38'-1" span x 11'-11" rise) with concrete headwalls and wingwalls to facilitate the conveyance of the 100 yr. flow. (See Appendix) The proposed structure is made from heavy gage corrugated steel plates with 3 oz. per square foot galvanized coating (both sides) capable of providing a service life of 75 years or longer. Soils testing provide further design information related to wall thickness to account for corrosion and abrasion requirements per County standards. (Reference soils report prepared by Entech Eng. dated March 2022)

SAND CREEK CHANNEL IMPROVEMENTS

This crossing structure design provides for the ultimate collector roadway crossing over Sand Creek for Sterling Ranch Road (80' ROW) while incorporating the culvert structure into the ultimate Sand Creek channel improvements. The intent is to allow for an interim grading plan for the construction of the culvert structure and associated appurtenances all within the current 404 Permit prior to the formal approval of the channel improvements and LOMR. Please reference "Final Design Report for Sand Creek Restoration", prepared by JR Engineering, LLC, dated April 2022 and "Sand Creek Restoration – Public Improvement Plans", also prepared by JR Engineering, LLC, dated October 2022 for further channel drainage and improvement design details.

DRAINAGE CRITERIA

Hydrologic calculations were performed using the City of Colorado Springs/El Paso County Drainage Criteria Manual, as revised in November 1991 and October 1994 with County adopted Chapter 6 and Section 3.2.1 of Chapter 13 of the City of Colorado Springs/El Paso County Drainage Criteria Manual as revised in May 2014. Culvert calculations performed using FHWA HY-8 Culvert Analysis Program ver. 7.6 (See Appendix)



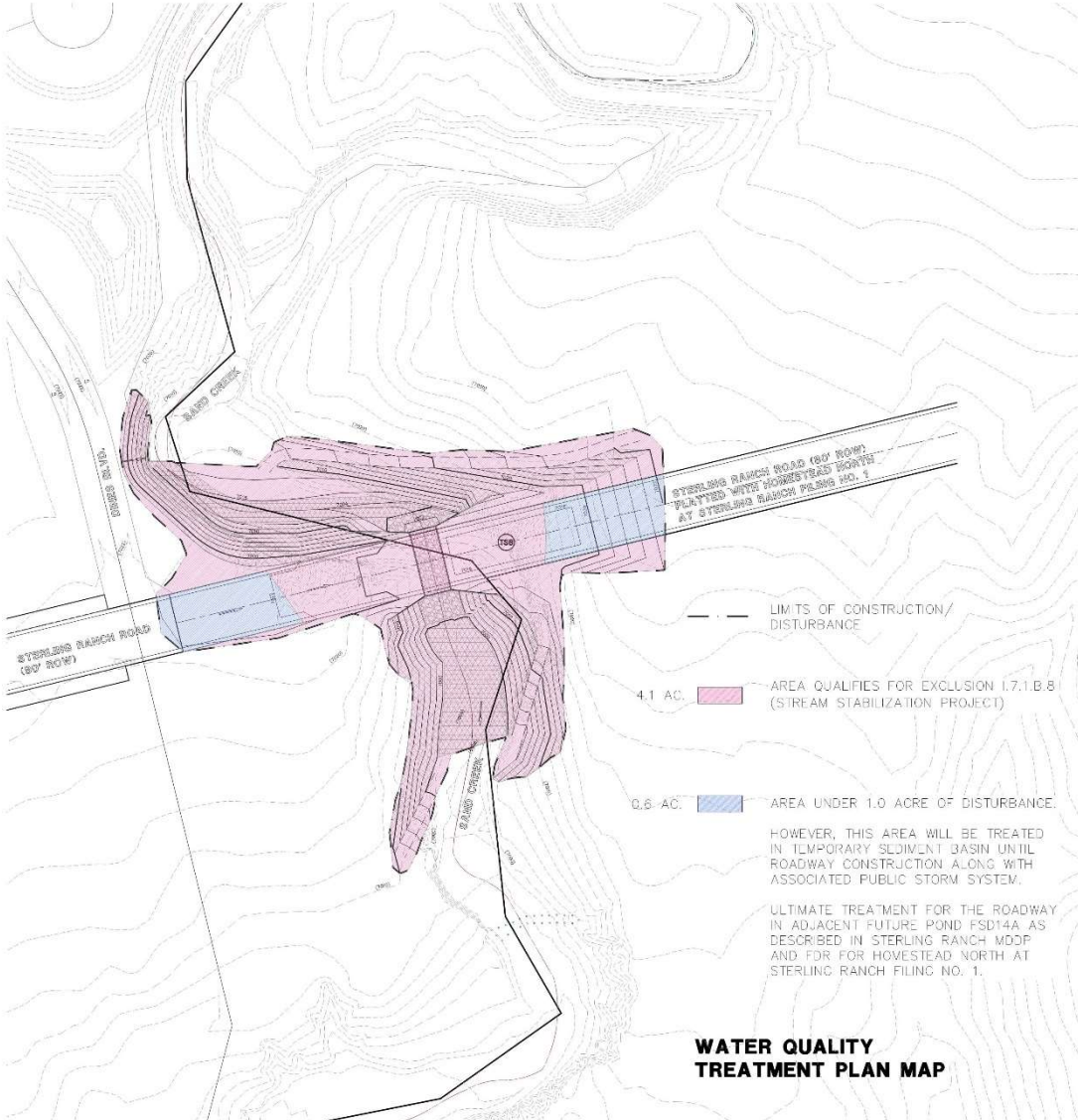
The City of Colorado Springs/El Paso County DCM requires the Four Step Process for receiving water protection that focuses on reducing runoff volumes, treating the water quality capture volume (WQCV), stabilizing drainage ways, and implementing long-term source controls. The Four Step Process pertains to management of smaller, frequently occurring storm events, as opposed to larger storms for which drainage and flood control infrastructure are sized. Implementation of these four steps helps to achieve storm water permit requirements.

However, this report only provides a culvert design for the public roadway crossing of Sand Creek in support of the surrounding Sterling Ranch residential development. This structure is part of the overall Sand Creek stream stabilization improvements as proposed with this adjacent development. As such, most of this construction falls under the Stream stabilizations exclusion I.7.1.B.8. (See Stormwater Quality Exhibit below) The portion of disturbance that is within the proposed road Right-of-way on each side of the culvert structure and seems to be more associated with the future roadway construction will be treated in a temporary sediment basin prior to the formal roadway construction and associated public storm sewer facilities. This specific area is under one acre of disturbance and thus, does not require SWQ treatment. However, ultimately with the roadway construction, the roadway impervious area will be conveyed to a stormwater quality facility provided with the residential development.

Please reference the following report for headwater modeling, Manning's N, velocities and channel stabilization for this proposed structure: "Final Design Report for Sand Creek Restoration", prepared by JR Engineering, LLC, dated October 2022 and "Sand Creek Restoration – Public Improvement Plans", also prepared by JR Engineering, LLC, dated October 2022. These documents will need to be approved prior to any channel construction beyond the installation of the proposed Contech culvert and associated rip-rap dissipation as shown on the Grading and Erosion Control Plan submitted concurrent with this drainage letter.

It's not clear based on this statement and the erosion control and grading plans where the limits of the channel work vs. the riprap for energy dissipation. Clarify in report or the plans, or both.





Scour calculations were performed using HEC-RAS 6.3.1 and the hydraulic design bridge scour computations module. Per the CDOT Drainage Design Manual 2019 Section 4.3.3 and 10.6, the 500-yr. storm event (3800 cfs) was utilized to determine total scour depth. The total scour depth is made up of contraction scour and local scour (abutments). This total scour was determined to be the following: (See Appendix for calculations)

<u>Local Scour</u>	<u>Local Scour</u>	<u>Contraction Scour</u>
Left Abutment	Right Abutment	Channel
3.41 ft.	1.99 ft.	0.53 ft.

This culvert crossing is designed with a 4.0' footer depth along with Type M (24" depth) void-filled rip-rap lining of the channel invert with 94' additional protection downstream of the crossing per outlet protection design. (See Appendix)

FLOODPLAIN STATEMENT

This site is located within a floodplain as determined by the Flood Insurance Rate Maps (F.I.R.M.) Map Number 08041C 0533G with effective date of December 7, 2018 and the previously mentioned LOMR 08-08-0541P with an effective date of July 23, 2009. (See Appendix).

DRAINAGE AND BRIDGE FEES

The Final Plat for Sterling Ranch Road was prepared by JR Engineering, LLC under separate submittal. (Homestead North at Sterling Ranch Filing No. 1) All associated Drainage and Bridge Fees are described in that report.



SUMMARY

This proposed public roadway crossing of Sand Creek is within the Sand Creek Drainage Basin and was shown conceptually in the Sand Creek DBPS and more recently in the Sterling Ranch Sketch Plan. Design and construction of this facility will be incorporated into the ultimate corridor design for this reach of Sand Creek as shown in the “Sand Creek Restoration – Public Improvement Plans”, prepared by JR Engineering, LLC, dated October 2022. The construction of this proposed structure does not significantly impact any downstream facility or property to an extent greater than that which currently exists in the pre-development conditions. All drainage facilities within this report were sized according to the City of Colorado Springs/County of El Paso Drainage Criteria Manual.

PREPARED BY:

Classic Consulting Engineers & Surveyors, LLC



Marc A. Whorton, P.E.
Project Manager

maw/118311/Drainage Letter.doc

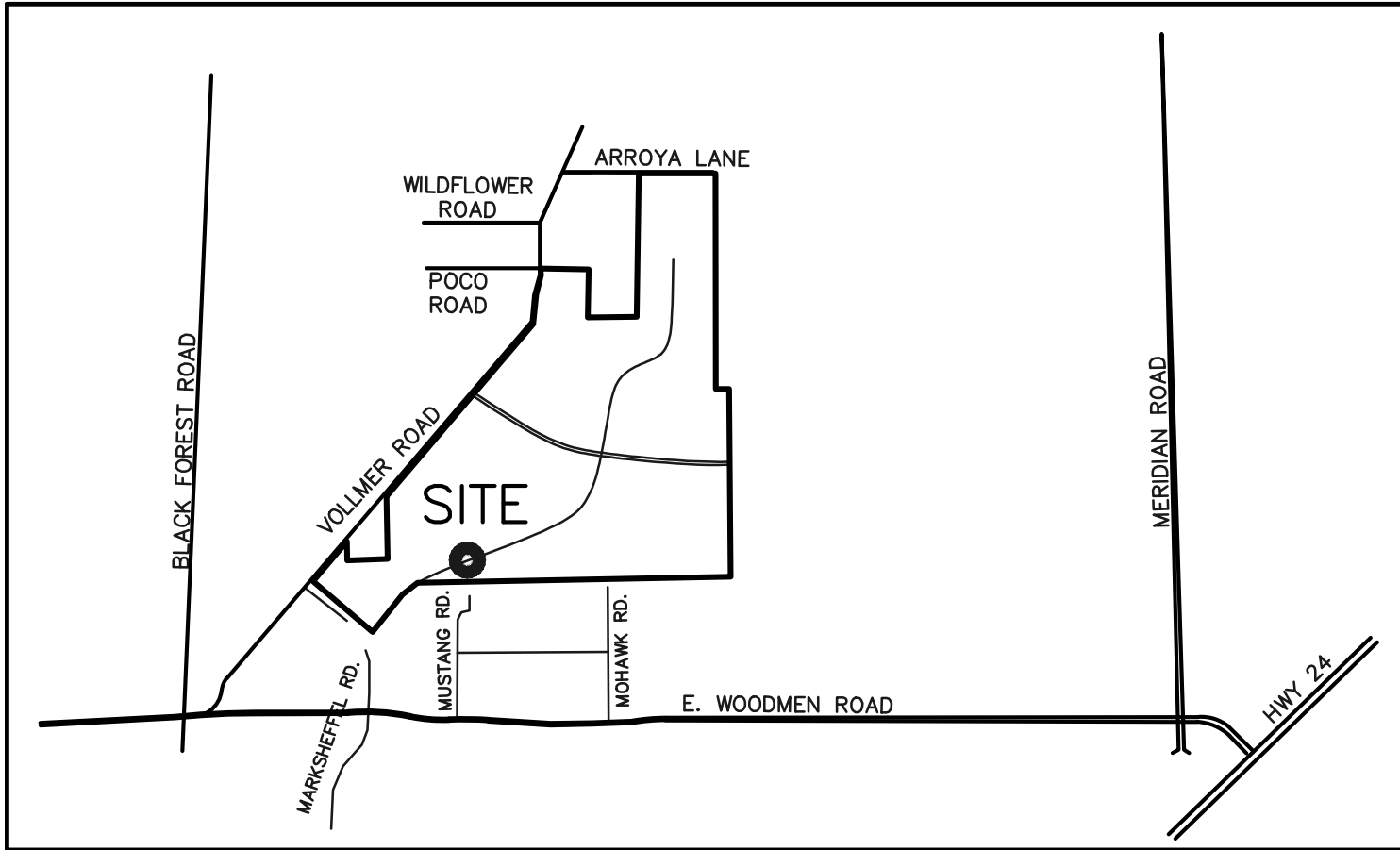


REFERENCES

1. City of Colorado Springs/County of El Paso Drainage Criteria Manual as revised in November 1991 and October 1994 with County adopted Chapter 6 and Section 3.2.1 of Chapter 13 of the City of Colorado Springs/El Paso County Drainage Criteria Manual as revised in May 2014
2. "Urban Storm Drainage Criteria Manual Volume 1, 2 & 3" Urban Drainage and Flood Control District, dated January 2016
3. "Sand Creek Drainage Basin Planning Study," Kiowa Engineering Corporation, dated March 1996
4. "2018 Sterling Ranch MDDP", M&S Civil Consultants, Inc., June 2018
5. "MDDP Amendment for Sterling Ranch", JR Engineering, LLC, dated October 2022
6. "Sand Creek Restoration – Public Improvement Plans", JR Engineering, LLC, dated October 2022 (*NOT APPROVED*)
7. "Final Design Report – Sand Creek Restoration", JR Engineering, LLC, dated October 2022 (*NOT APPROVED*)
8. "Drainage Design Manual", Colorado Department of Transportation, 2019 Update

APPENDIX

VICINITY MAP



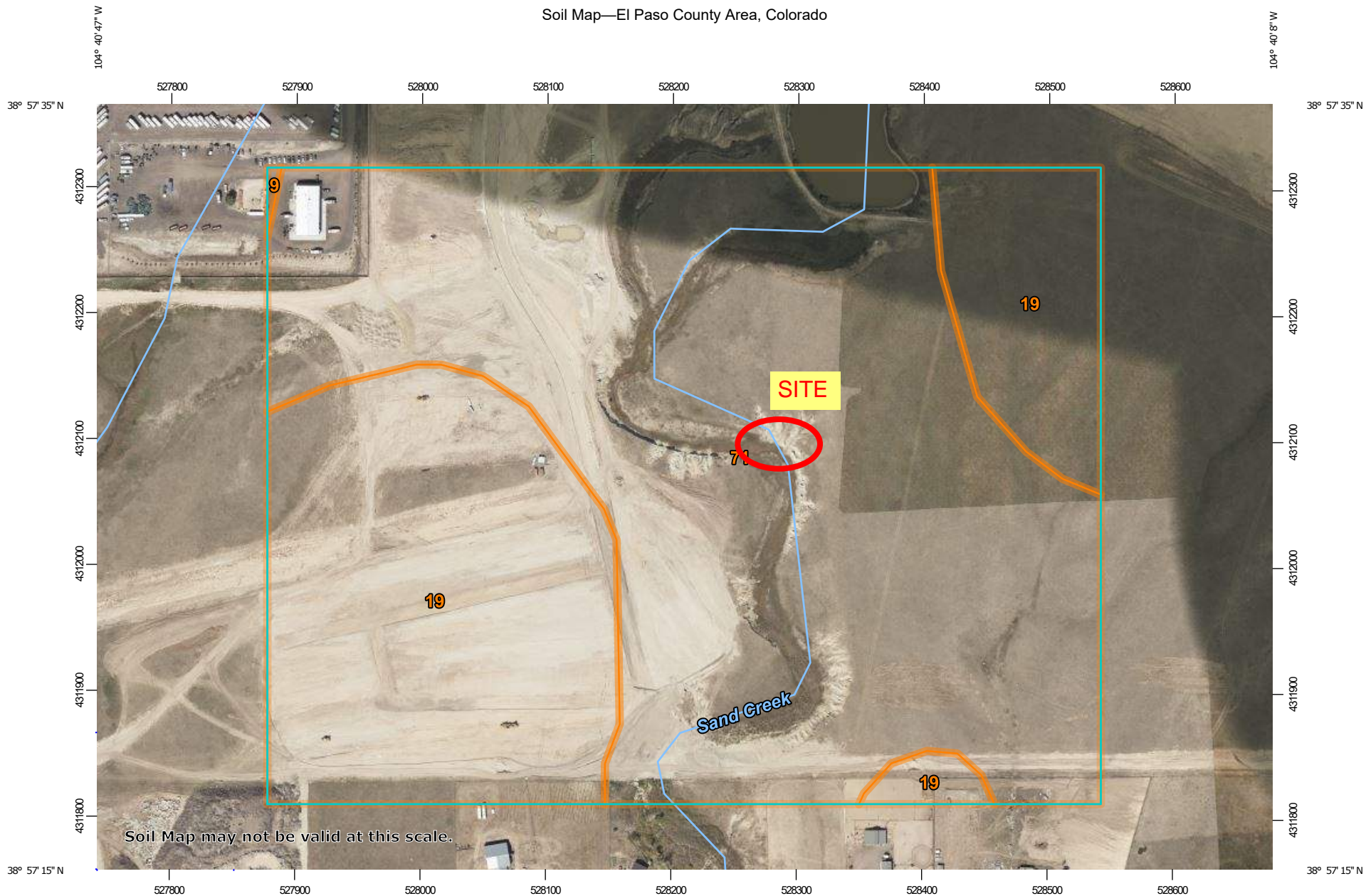
VICINITY MAP

N.T.S.

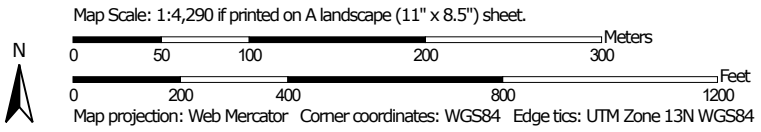


SOILS MAP (S.C.S SURVEY)

Soil Map—El Paso County Area, Colorado



Soil Map may not be valid at this scale.



MAP LEGEND

Area of Interest (AOI)

Area of Interest (AOI)

Soils

 Soil Map Unit Polygons

 Soil Map Unit Lines

 Soil Map Unit Points

Special Point Features



Blowout



Borrow Pit



Clay Spot



Closed Depression



Gravel Pit



Gravelly Spot



Landfill



Lava Flow



Marsh or swamp



Mine or Quarry



Miscellaneous Water



Perennial Water



Rock Outcrop



Saline Spot



Sandy Spot



Severely Eroded Spot



Sinkhole



Slide or Slip



Sodic Spot



Spoil Area



Stony Spot



Very Stony Spot



Wet Spot



Other



Special Line Features

Water Features



Streams and Canals

Transportation



Rails



Interstate Highways



US Routes



Major Roads



Local Roads

Background



Aerial Photography

MAP INFORMATION

The soil surveys that comprise your AOI were mapped at 1:24,000.

Warning: Soil Map may not be valid at this scale.

Enlargement of maps beyond the scale of mapping can cause misunderstanding of the detail of mapping and accuracy of soil line placement. The maps do not show the small areas of contrasting soils that could have been shown at a more detailed scale.

Please rely on the bar scale on each map sheet for map measurements.

Source of Map: Natural Resources Conservation Service
 Web Soil Survey URL:
 Coordinate System: Web Mercator (EPSG:3857)

Maps from the Web Soil Survey are based on the Web Mercator projection, which preserves direction and shape but distorts distance and area. A projection that preserves area, such as the Albers equal-area conic projection, should be used if more accurate calculations of distance or area are required.

This product is generated from the USDA-NRCS certified data as of the version date(s) listed below.

Soil Survey Area: El Paso County Area, Colorado
 Survey Area Data: Version 19, Aug 31, 2021

Soil map units are labeled (as space allows) for map scales 1:50,000 or larger.

Date(s) aerial images were photographed: Aug 19, 2018—May 26, 2019

The orthophoto or other base map on which the soil lines were compiled and digitized probably differs from the background imagery displayed on these maps. As a result, some minor shifting of map unit boundaries may be evident.

Map Unit Legend

Map Unit Symbol	Map Unit Name	Acres in AOI	Percent of AOI
9	Blakeland-Fluvaquentic Haplaquolls	0.1	0.1%
19	Columbine gravelly sandy loam, 0 to 3 percent slopes	29.4	35.2%
71	Pring coarse sandy loam, 3 to 8 percent slopes	54.0	64.7%
Totals for Area of Interest		83.4	100.0%

El Paso County Area, Colorado

71—Pring coarse sandy loam, 3 to 8 percent slopes

Map Unit Setting

National map unit symbol: 369k

Elevation: 6,800 to 7,600 feet

Farmland classification: Not prime farmland

Map Unit Composition

Pring and similar soils: 85 percent

Estimates are based on observations, descriptions, and transects of the mapunit.

Description of Pring

Setting

Landform: Hills

Landform position (three-dimensional): Side slope

Down-slope shape: Linear

Across-slope shape: Linear

Parent material: Arkosic alluvium derived from sedimentary rock

Typical profile

A - 0 to 14 inches: coarse sandy loam

C - 14 to 60 inches: gravelly sandy loam

Properties and qualities

Slope: 3 to 8 percent

Depth to restrictive feature: More than 80 inches

Drainage class: Well drained

Runoff class: Low

Capacity of the most limiting layer to transmit water (Ksat): High
(2.00 to 6.00 in/hr)

Depth to water table: More than 80 inches

Frequency of flooding: None

Frequency of ponding: None

Available water supply, 0 to 60 inches: Low (about 6.0 inches)

Interpretive groups

Land capability classification (irrigated): None specified

Land capability classification (nonirrigated): 3e

Hydrologic Soil Group: B

Ecological site: R048AY222CO - Loamy Park

Hydric soil rating: No

Minor Components

Pleasant

Percent of map unit:

Landform: Depressions

Hydric soil rating: Yes

Other soils

Percent of map unit:

Hydric soil rating: No

Data Source Information

Soil Survey Area: El Paso County Area, Colorado

Survey Area Data: Version 19, Aug 31, 2021

F.E.M.A. MAP / LOMR (08-08-0541P)



NOTES TO USERS

This map is for use in administering the National Flood Insurance Program. It does not necessarily identify all areas subject to flooding, particularly from local drainage sources of small size. The community map repository should be consulted for possible updated or additional flood hazard information.

To obtain more detailed information in areas where **Base Flood Elevations (BFEs)** and/or **Floodways** have been determined, users are encouraged to consult the **Flood Profiles and Floodway Data and/or Summary of Stillwater Elevations** tables contained within the **Flood Insurance Study (FIS)** report that accompanies this FIRM. Users should be aware that BFEs shown on the FIRM represent rounded whole-foot elevations. These BFEs are intended for flood insurance rating purposes only and should not be used as the sole source of flood elevation information. Accordingly, flood elevation data presented in the FIS report should be utilized in conjunction with the FIRM for purposes of construction and/or floodplain management.

Coastal Base Flood Elevations shown on this map apply only landward of 0.0' North American Vertical Datum of 1988 (NAVD83). Users of this FIRM should be aware that coastal flood elevations are also provided in the **Summary of Stillwater Elevations** table in the Flood Insurance Study report for this jurisdiction. Elevations shown in the **Summary of Stillwater Elevations** table should be used for construction and/or floodplain management purposes when they are higher than the elevations shown on this FIRM.

Boundaries of the **floodways** were computed at cross sections and interpolated between cross sections. The floodways were based on hydraulic considerations with regard to requirements of the National Flood Insurance Program. Floodway widths and other pertinent floodway data are provided in the **Flood Insurance Study** report for this jurisdiction.

Certain areas not in Special Flood Hazard Areas may be protected by **flood control structures**. Refer to section 2.4 "Flood Protection Measures" of the Flood Insurance Study report for information on flood control structures for this jurisdiction.

The projection used in the preparation of this map was Universal Transverse Mercator (UTM) zone 12. The horizontal datum was NAD83, GRS80 spheroid. Differences in datum, inherent projection or UTM zones could result in slight positional differences in map features across jurisdiction boundaries. These differences do not affect the accuracy of this FIRM.

Flood elevations on this map are referenced to the **North American Vertical Datum of 1988 (NAVD83)**. These flood elevations must be compared to structure and ground elevations referenced to the same vertical datum. For information regarding conversion between the National Geodetic Vertical Datum of 1929 and the North American Vertical Datum of 1988, visit the National Geodetic Survey website at <http://www.ngs.noaa.gov> or contact the National Geodetic Survey at the following address:

NGS Information Services
 NOAA, NHD-12
 National Geodetic Survey
 SSMC-3, #9202
 1315 East-West Highway
 Silver Spring, MD 20910-3382

To obtain current elevation, description, and/or location information for **bench marks** shown on this map, please contact the Information Services Branch of the National Geodetic Survey at (301) 713-3400 or visit its website at <http://www.ngs.noaa.gov>.

Base Map information shown on this FIRM was provided in digital format by El Paso County, Colorado Springs Utilities, and Anderson Consulting Engineers, Inc. These data are current as of 2008.

This map reflects more detailed and up-to-date stream channel configurations and floodplain delineations than those shown on the previous FIRM for this jurisdiction. The floodplains and floodways that were transferred from the previous FIRM have been adjusted to conform to these new stream channel configurations. As a result, the **Flood Profiles and Floodway Data** tables in the Flood Insurance Study Report (which contains authoritative hydraulic data) may reflect stream channel distances that differ from what is shown on this map. The profile baselines depicted on this map represent the hydraulic modeling baselines that match the flood profiles and Floodway Data Tables if applicable in the FIS report. As a result, the profile baselines may deviate significantly from the new base map channel representation and may appear outside of the floodplain.

Corporate limits shown on this map are based on the best data available at the time of publication. Because changes due to annexation or dis-annexations may have occurred after this map was published, map users should contact appropriate community officials to verify current corporate limit locations.

Please refer to the separately printed **Map Index** for an overview map of the county showing the layout of map panels, community map repository addresses, and a Listing of Communities table containing National Flood Insurance Program dates for each community as well as a listing of the panels on which each community is located.

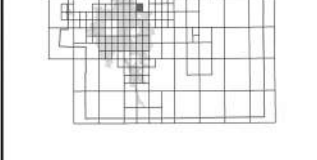
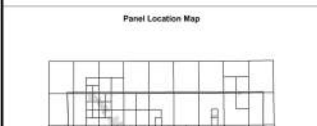
Contact **FEMA Map Service Center (MSC)** via the FEMA Map Information eXchange (FIRM) 1-877-336-2627 for information on available products associated with this FIRM. Available products may include previously issued Letters of Map Change, Flood Insurance Study Report, and/or digital versions of this map. The MSC may also be reached by fax at 1-800-358-9620 and its website at <http://www.msc.fema.gov>.

If you have **questions about this map** or questions concerning the National Flood Insurance Program in general, please call 1-877-FEMA-MAP (1-877-336-2627) or visit the FEMA website at <http://www.fema.gov/business/firm>.

El Paso County Vertical Datum Offset Table

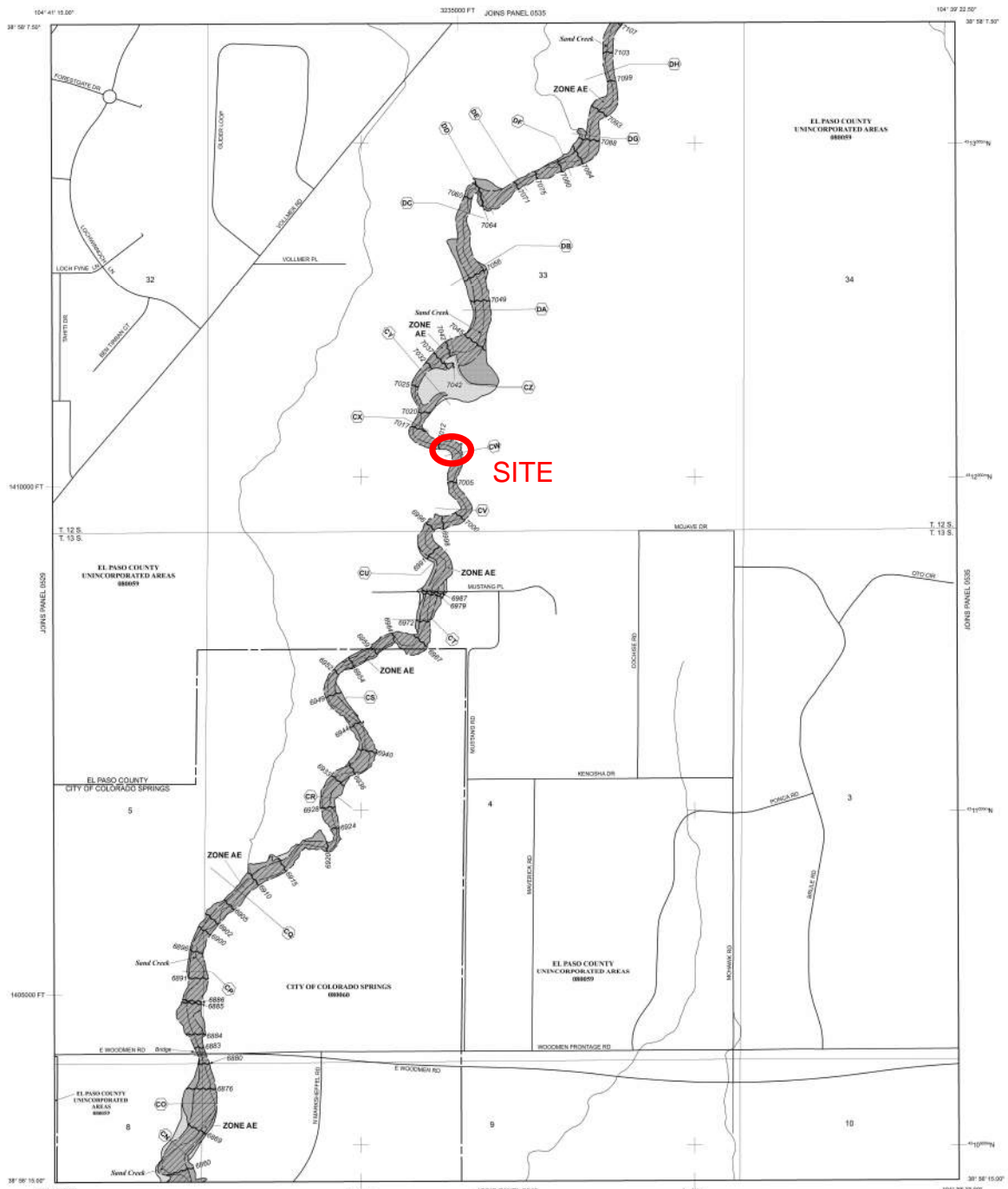
Flooding Source	Vertical Datum Offset (ft)
REFER TO SECTION 3.3 OF THE EL PASO COUNTY FLOOD INSURANCE STUDY FOR STREAM BY STREAM VERTICAL DATUM CONVERSION INFORMATION.	

Panel Location Map



This Digital Flood Insurance Rate Map (DFIRM) was produced through a Cooperating Technical Partner (CTP) agreement between the State of Colorado Water Conservation Board (CWCBC) and the Federal Emergency Management Agency (FEMA).

Additional Flood Hazard information and resources are available from local communities and the Colorado Water Conservation Board.



NOTE: MAP AREA SHOWN ON THIS PANEL IS LOCATED WITHIN TOWNSHIP 12 SOUTH, RANGE 65 WEST, AND TOWNSHIP 13 SOUTH, RANGE 65 WEST.

LEGEND

- SPECIAL FLOOD HAZARD AREAS (SFHAs) SUBJECT TO INUNDATION BY THE 1% ANNUAL CHANCE FLOOD
- ZONE AE: No Base Flood Elevation Determined; Base Flood Elevation Determined
- ZONE AH: Flood depths of 1 to 3 feet (usually areas of ponding); Base Flood Elevation Determined
- ZONE AD: Flood depths of 1 to 3 feet (usually areas of ponding); average depths determined; For areas of unusual fan flooding, velocities also determined
- ZONE AR: Special Flood Hazard Area formerly protected from the 1% annual chance flood by a flood control system that was subsequently identified; Zone AR indicates that the former flood control system is being retained to provide protection from the 1% annual chance or greater flood.
- ZONE AN: Area to be protected from 1% annual chance flood by a flood protection system under construction or Base Flood Elevation Determined
- ZONE V: Coastal flood zone with velocity hazard (wave action); Base Flood Elevation Determined
- ZONE VE: Coastal flood zone with velocity hazard (wave action); Base Flood Elevation Determined

FLOODWAY AREAS IN ZONE AE
 The floodway is the channel of a stream plus any adjacent floodable areas that must be kept free of encroachment so that the 1% annual chance flood can be carried without substantial increases in flood heights.

- OTHER FLOOD AREAS
- ZONE X: Areas of 0.2% annual chance flood; areas of 1% annual chance flood with average depths of 1 foot or less; areas of 1% annual chance flood with average depths of 1 foot or less and areas protected by levees from 1% annual chance flood
- OTHER AREAS
- ZONE X: Areas determined to be outside the 0.2% annual chance floodplain.
- ZONE D: Areas in which flood heights are undetermined, but possible.
- COASTAL BARRIER RESOURCES SYSTEM (CBRS) AREAS
- OTHERWISE PROTECTED AREAS (OPAs)

CBRS areas and OPAs are normally located within or adjacent to Special Flood Hazard Areas.
 Floodplain boundary
 Floodway boundary
 Zone B boundary
 CBRS and OPA boundary

Boundaries showing Special Flood Hazard Areas of different Base Flood Elevations, flood depths or flood velocities.
 Base Flood Elevation line and value; elevation in feet
 Base Flood Elevation value where uniform within zone; elevation in feet

* Referenced to the North American Vertical Datum of 1988 (NAVD 83)

Traverse line
 Geographic coordinates referenced to the North American Datum of 1983 (NAD 83)
 100-foot Universal Transverse Mercator grid ticks, zone 12

800000 FT
 800-foot grid ticks: Colorado State Plane coordinate system, central zone (PROJCS:GCSNAD83)
 Lambert Conformal Conic Projection

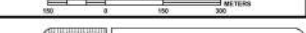
DX3510
 Bench mark (see explanation in Notes to users section of this FIS report)
 River Mile

MAP REPOSITORIES
 Refer to Map Repository list on Map Index

EFFECTIVE DATE OF COUNTRYWIDE FLOOD INSURANCE RATE MAP
 MARCH 17, 1997

EFFECTIVE DATES OF REVISIONS TO THIS MAP
 DECEMBER 1, 2018: In order to conform to the Base Flood Elevations and Special Flood Hazard Areas, to update map format, to add roads and soil names, and to incorporate any other relevant information.

The community map repository prior to contacting mapping, refer to the Community Map Repository table included in the Flood Insurance Study report for this jurisdiction.
 To determine if flood insurance is available in the community, contact your insurance agent or call the National Flood Insurance Program at 1-800-638-6420.



NFP PANEL 0533G

FIRM
 FLOOD INSURANCE RATE MAP
 EL PASO COUNTY,
 COLORADO
 AND INCORPORATED AREAS

PANEL 533 OF 1300
 (SEE MAP INDEX FOR FIRM PANEL LAYOUT)

COMMUNITY	MAINTENANCE	DATE	STATUS
COLORADO SPRINGS CITY OF	00000	000	0
EL PASO COUNTY	00000	000	0

Notes to User: The Map Number shown below should be used when ordering map forms. The Community Number shown above should be used on insurance applications for the subject community.

MAP NUMBER
 08041C0533G

MAP REVISED
 DECEMBER 7, 2018

Federal Emergency Management Agency

HYDRAULIC CALCULATIONS

HY-8 Culvert Analysis Report

Crossing Discharge Data

Discharge Selection Method: Specify Minimum, Design, and Maximum Flow

Minimum Flow: 1580.00 cfs

Design Flow: 1912.00 cfs

Maximum Flow: 2600.00 cfs

Table 1 - Summary of Culvert Flows at Crossing: Sterling Ranch Rd.

Headwater Elevation (ft)	Total Discharge (cfs)	BridgeCor Steel Culvert Discharge (cfs)	Roadway Discharge (cfs)	Iterations
7008.44	1580.00	1580.00	0.00	1
7008.70	1682.00	1682.00	0.00	1
7008.95	1784.00	1784.00	0.00	1
7009.27	1912.00	1912.00	0.00	1
7009.45	1988.00	1988.00	0.00	1
7009.70	2090.00	2090.00	0.00	1
7009.95	2192.00	2192.00	0.00	1
7010.19	2294.00	2294.00	0.00	1
7010.43	2396.00	2396.00	0.00	1
7010.66	2498.00	2498.00	0.00	1
7010.90	2600.00	2600.00	0.00	1
7018.00	5488.16	5488.16	0.00	Overtopping

Culvert Barrel Data

Culvert Barrel Type Straight Culvert

Inlet Elevation (invert): 7000.88 ft,

Outlet Elevation (invert): 7000.70 ft

Culvert Length: 90.00 ft,

Culvert Slope: 0.0020

Site Data - BridgeCor Steel Culvert

Site Data Option: Culvert Invert Data

Inlet Station: 100.00 ft

Inlet Elevation: 7000.88 ft

Outlet Station: 190.00 ft

Outlet Elevation: 7000.70 ft

Number of Barrels: 1

Culvert Data Summary - BridgeCor Steel Culvert

Barrel Shape: User Defined

Barrel Span: 38.00 ft

Barrel Rise: 11.90 ft

Barrel Material: Corrugated Metal Riveted or Welded

Embedment: 0.00 in

Barrel Manning's n: 0.0240 (top and sides)

Manning's n: 0.0350 (bottom)

Culvert Type: Straight

Inlet Configuration: Square Edge with Headwall ($K_e=0.5$)

Inlet Depression: None

Roadway Data for Crossing: Sterling Ranch Rd.

Roadway Profile Shape: Constant Roadway Elevation

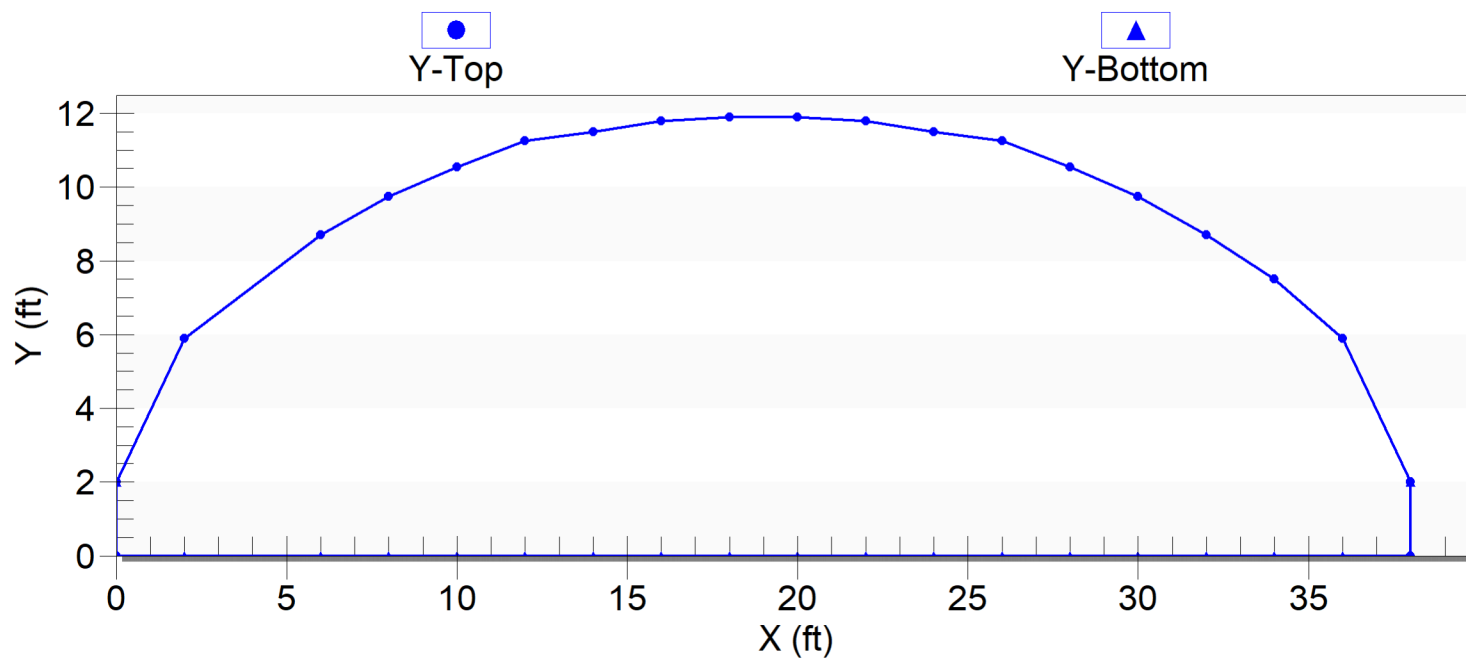
Crest Length: 100.00 ft

Crest Elevation: 7018.00 ft

Roadway Surface: Paved

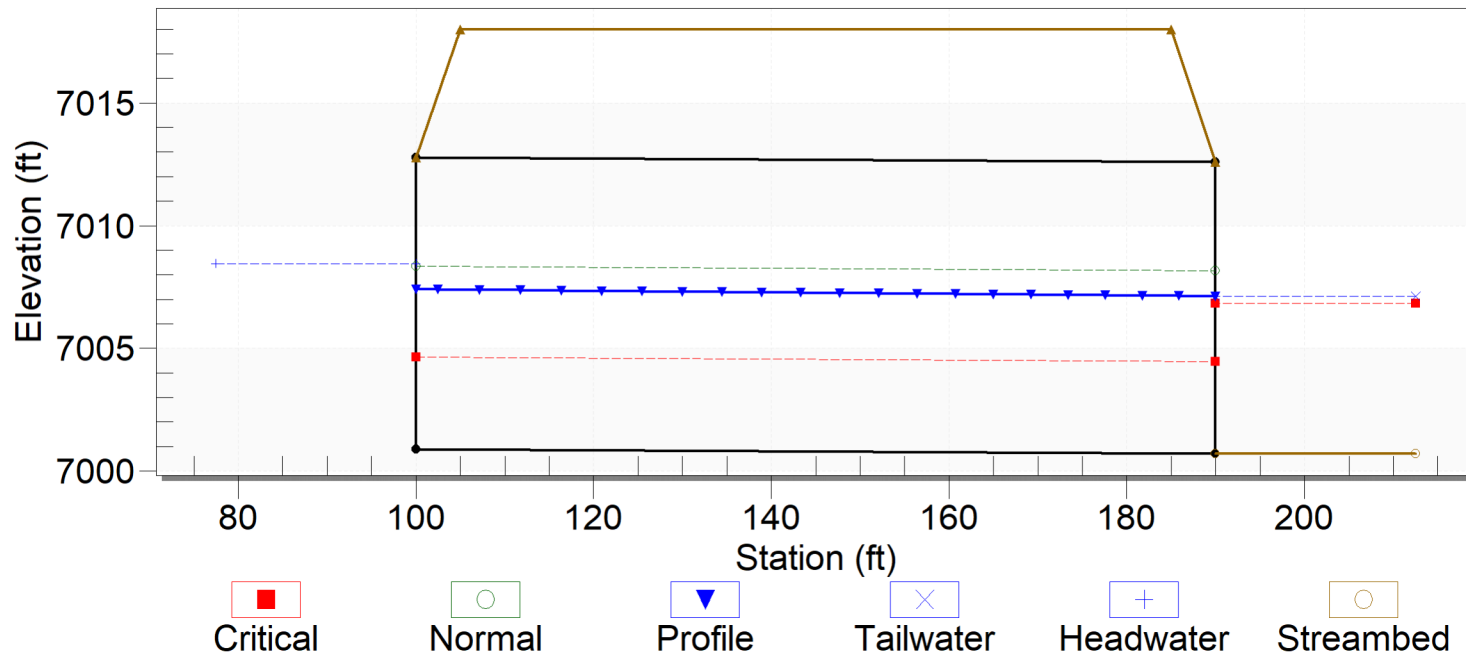
Roadway Top Width: 80.00 ft

BridgeCor Steel Culvert (38'-1" X 11'-11")



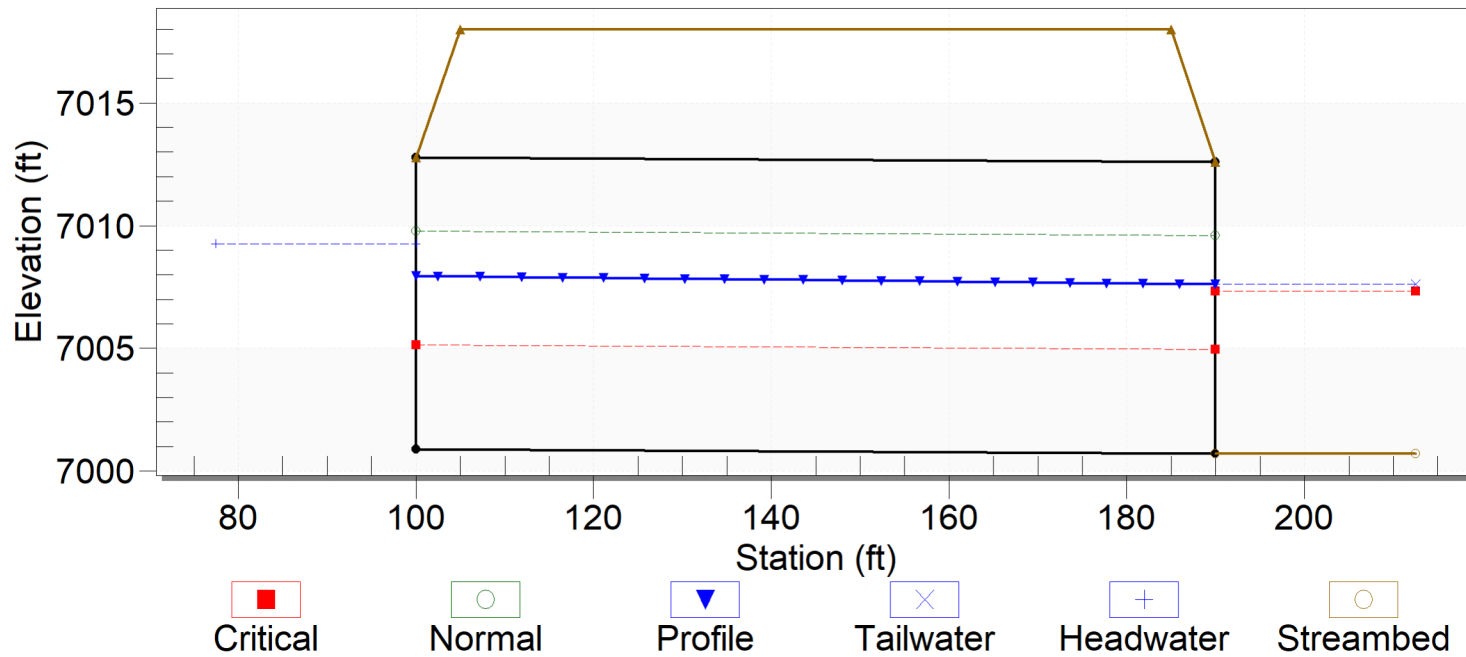
Crossing - Sterling Ranch Rd., Design Discharge - 1912.0 cfs

Culvert - BridgeCor Steel Culvert, Culvert Discharge - 1580.0 cfs



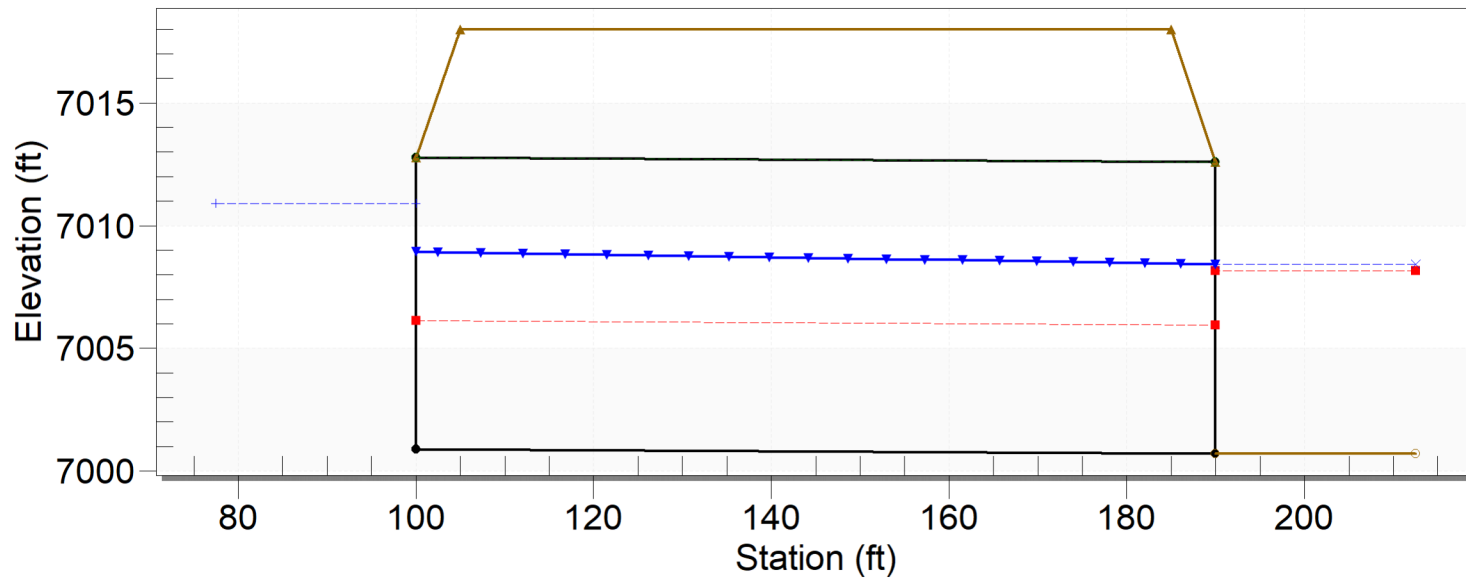
Crossing - Sterling Ranch Rd., Design Discharge - 1912.0 cfs

Culvert - BridgeCor Steel Culvert, Culvert Discharge - 1912.0 cfs



Crossing - Sterling Ranch Rd., Design Discharge - 1912.0 cfs


Culvert - BridgeCor Steel Culvert, Culvert Discharge - 2600.0 cfs




 Critical

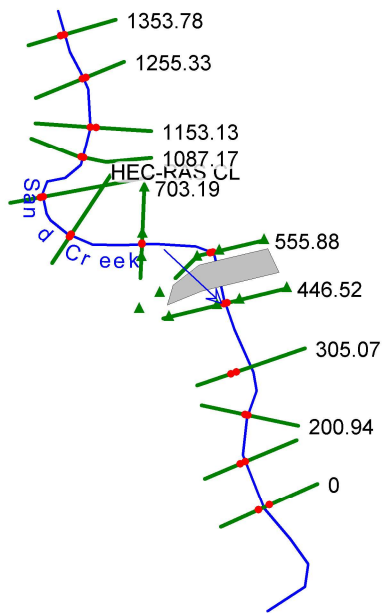
 Normal

 Profile

 Tailwater

 Headwater

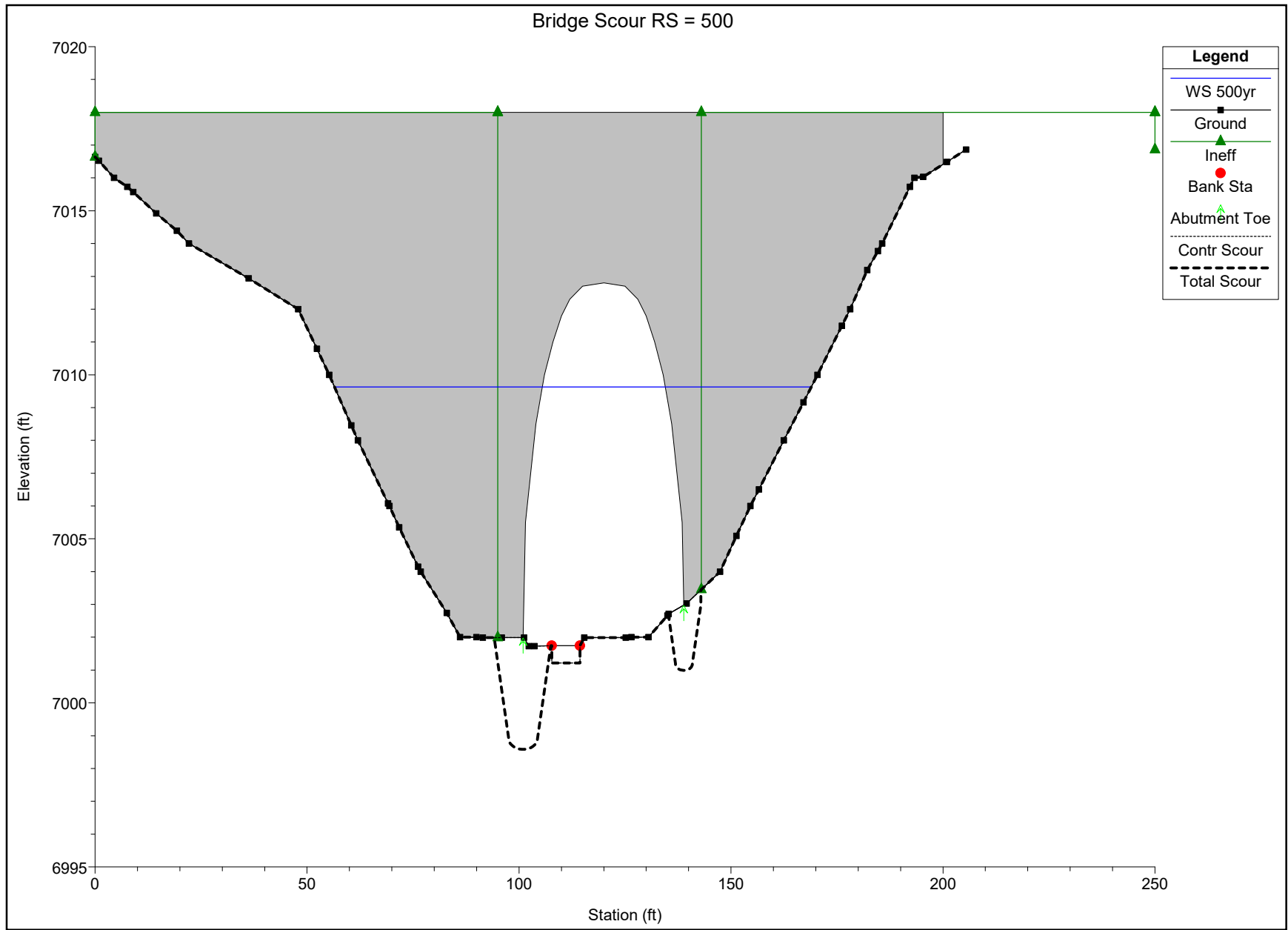
 Streambed



HEC-RAS Plan: Plan 02 River: Sand Creek Reach: HEC-RAS CL

Reach	River Sta	Profile	Q Total (cfs)	W.S. Elev (ft)	Crit W.S. (ft)	E.G. Elev (ft)	E.G. Slope (ft/ft)	Flow Area (sq ft)	Top Width (ft)	Vel Total (ft/s)
HEC-RAS CL	703.19	10yr MDDP Ult.	366.80	7007.32	7007.32	7007.98	0.015269	56.33	54.20	6.51
HEC-RAS CL	703.19	10yr MDDP Int.	714.90	7008.08	7008.08	7009.11	0.013907	88.39	65.22	8.09
HEC-RAS CL	703.19	100yr MDDP Ult.	1350.60	7009.22	7009.22	7010.71	0.011991	139.55	74.17	9.68
HEC-RAS CL	703.19	100yr MDDP Int.	2204.10	7010.43	7010.43	7012.41	0.010604	196.91	83.78	11.19
HEC-RAS CL	703.19	FEMA	2600.00	7010.90	7010.90	7013.11	0.010282	219.62	87.66	11.84
HEC-RAS CL	703.19	500yr	3800.00	7012.17	7012.17	7015.05	0.009752	280.55	99.19	13.54
HEC-RAS CL	555.88	10yr MDDP Ult.	366.80	7004.20	7003.36	7004.41	0.002833	99.34	72.05	3.69
HEC-RAS CL	555.88	10yr MDDP Int.	714.90	7005.31	7004.05	7005.65	0.002590	152.73	80.18	4.68
HEC-RAS CL	555.88	100yr MDDP Ult.	1350.60	7007.12	7005.07	7007.62	0.002067	239.69	93.73	5.63
HEC-RAS CL	555.88	100yr MDDP Int.	2204.10	7009.01	7006.15	7009.70	0.001891	330.37	107.91	6.67
HEC-RAS CL	555.88	FEMA	2600.00	7009.89	7006.66	7010.64	0.001765	372.44	114.32	6.98
HEC-RAS CL	555.88	500yr	3800.00	7012.54	7007.88	7013.44	0.001414	499.96	138.77	7.60
HEC-RAS CL	500	Bridge								
HEC-RAS CL	446.52	10yr MDDP Ult.	366.80	7002.87	7002.87	7003.49	0.016850	58.43	61.01	6.28
HEC-RAS CL	446.52	10yr MDDP Int.	714.90	7003.58	7003.58	7004.51	0.014007	92.20	66.82	7.75
HEC-RAS CL	446.52	100yr MDDP Ult.	1350.60	7004.59	7004.59	7006.02	0.012173	140.88	75.16	9.59
HEC-RAS CL	446.52	100yr MDDP Int.	2204.10	7005.72	7005.72	7007.70	0.010941	195.16	84.45	11.29
HEC-RAS CL	446.52	FEMA	2600.00	7006.16	7006.16	7008.41	0.010798	216.35	88.07	12.02
HEC-RAS CL	446.52	500yr	3800.00	7007.48	7007.48	7010.35	0.009786	279.82	98.95	13.58
HEC-RAS CL	305.07	10yr MDDP Ult.	366.80	7000.71	7000.65	7001.04	0.015112	79.71	97.31	4.60
HEC-RAS CL	305.07	10yr MDDP Int.	714.90	7001.32	7001.09	7001.73	0.009274	140.94	102.52	5.07
HEC-RAS CL	305.07	100yr MDDP Ult.	1350.60	7002.22	7001.71	7002.73	0.006498	236.44	110.18	5.71
HEC-RAS CL	305.07	100yr MDDP Int.	2204.10	7003.19	7002.40	7003.83	0.005245	348.03	118.44	6.33
HEC-RAS CL	305.07	FEMA	2600.00	7003.59	7002.68	7004.27	0.004945	395.41	121.73	6.58
HEC-RAS CL	305.07	500yr	3800.00	7004.65	7003.44	7005.47	0.004365	530.04	130.66	7.17

STERLING RANCH ROAD CROSSING (BridgeCor Steel Box 38'-1" x 11'-11")



STERLING RANCH ROAD CROSSING (BridgeCor Steel Box 38'-1" x 11'-11")
(Sterling Ranch MDDP 500yr flow analyzed - 3800 cfs)

Contraction Scour

	Left	Channel	Right
Input Data			
Average Depth (ft):	6.32	6.42	5.45
Approach Velocity (ft/s):	14.33	14.48	12.80
Br Average Depth (ft):	19.19	7.89	8.60
BR Opening Flow (cfs):	381.51	972.84	2445.65
BR Top WD (ft):	2.22	6.65	20.11
Grain Size D50 (mm):	300.00	300.00	300.00
Approach Flow (cfs):	1738.84	196.15	1865.01
Approach Top WD (ft):	19.19	2.11	26.70
K1 Coefficient:	0.590	0.590	0.590
Results			
Scour Depth Ys (ft):	0.00	0.53	0.00
Critical Velocity (ft/s):	15.12	15.16	14.75
Equation:	Clear	Clear	Clear

Abutment Scour

	Left	Right
Input Data		
Station at Toe (ft):	100.96	138.89
Toe Sta at appr (ft):	92.54	140.81
Abutment Length (ft):	41.12	9.80
Depth at Toe (ft):	10.55	9.56
K1 Shape Coef:	0.82 - Vert. with wing walls	
Degree of Skew (degrees):	105	105
K2 Skew Coef:	1.02	1.02
Projected Length L' (ft):	30	4.3
Avg Depth Obstructed Ya (ft):	3.41	1.99
Flow Obstructed Qe (cfs):		
Area Obstructed Ae (sq ft):	140.24	19.52
Results		
Scour Depth Ys (ft):	3.41	1.99
Qe/Ae = Ve:	0.00	0.00
Froude #:	0.00	0.00
Equation:	Froehlich	Froehlich

Was scour checked based on existing soil conditions and not against riprap size? Especially considering the limits of the riprap lining upstream and the extreme bends of the channel.

Combined Scour Depths

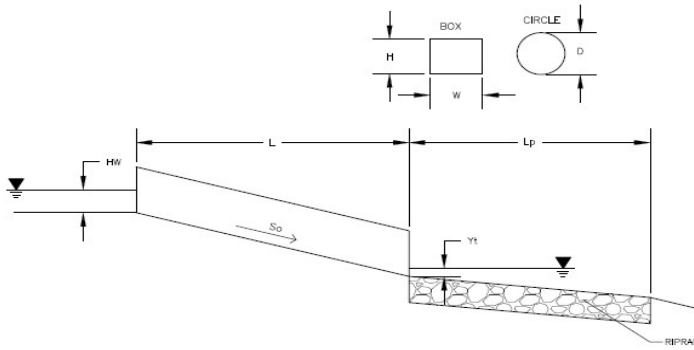
Left abutment scour + contraction scour (ft):	3.41
Right abutment scour + contraction scour (ft):	1.99

DETERMINATION OF CULVERT HEADWATER AND OUTLET PROTECTION

MHFD-Culvert, Version 4.00 (May 2020)

Project: STERLING RANCH ROAD CROSSING

ID: BRIDGECOR STEEL BOX (38'-11" span X 11'-11" rise) 355 sq-ft. area



Soil Type:

Choose One:

- Sandy
 Non-Sandy

Design Information:

Design Discharge	Q = <input type="text" value="2204.1"/> cfs
Circular Culvert:	
Barrel Diameter in Inches	D = <input type="text"/> inches
Inlet Edge Type (Choose from pull-down list)	
OR:	
Box Culvert:	
Barrel Height (Rise) in Feet	H (Rise) = <input type="text" value="9.32"/> ft
Barrel Width (Span) in Feet	W (Span) = <input type="text" value="38.08"/> ft
Inlet Edge Type (Choose from pull-down list)	1:1 Bevel w/ 45 deg. Flared Wingwall
Number of Barrels	# Barrels = <input type="text" value="1"/>
Inlet Elevation	Elev IN = <input type="text" value="7000.88"/> ft
Outlet Elevation OR Slope	Elev OUT = <input type="text" value="7000.7"/> ft
Culvert Length	L = <input type="text" value="90"/> ft
Manning's Roughness	n = <input type="text" value="0.035"/>
Bend Loss Coefficient	k _b = <input type="text" value="0"/>
Exit Loss Coefficient	k _x = <input type="text" value="1"/>
Tailwater Surface Elevation	Y _t Elevation = <input type="text"/> ft
Max Allowable Channel Velocity	V = <input type="text" value="5"/> ft/s

Calculated Results:

Culvert Cross Sectional Area Available	A = <input type="text" value="354.91"/> ft ²
Culvert Normal Depth	Y _n = <input type="text" value="9.07"/> ft
Culvert Critical Depth	Y _c = <input type="text" value="4.70"/> ft
Froude Number	Fr = <input type="text" value="0.37"/>
Entrance Loss Coefficient	k _e = <input type="text" value="0.50"/>
Friction Loss Coefficient	k _f = <input type="text" value="0.55"/>
Sum of All Loss Coefficients	k _s = <input type="text" value="2.05"/> ft
Headwater:	
Inlet Control Headwater	HW _I = <input type="text" value="7.30"/> ft
Outlet Control Headwater	HW _O = <input type="text" value="8.06"/> ft
Design Headwater Elevation	HW = <input type="text" value="7008.94"/> ft
Headwater/Diameter OR Headwater/Rise Ratio	HW/H = <input type="text" value="0.86"/>
Outlet Protection:	
Flow/(Span * Rise ^{1.5})	Q/WH ^{1.5} = <input type="text" value="2.03"/> ft ^{0.5} /s
Tailwater Surface Height	Y _t = <input type="text" value="3.73"/> ft
Tailwater/Rise	Y _t /H = <input type="text" value="0.40"/>
Expansion Factor	1/(2*tan(θ)) = <input type="text" value="5.96"/>
Flow Area at Max Channel Velocity	A _t = <input type="text" value="440.82"/> ft ²
Width of Equivalent Conduit for Multiple Barrels	W _{eq} = <input type="text" value="-"/>
Length of Riprap Protection	L_p = <input type="text" value="94"/> ft
Width of Riprap Protection at Downstream End	T = <input type="text" value="54"/> ft
Adjusted Rise for Supercritical Flow	Ha = <input type="text" value="-"/> ft
Minimum Theoretical Riprap Size	d ₅₀ min = <input type="text" value="8"/> in
Nominal Riprap Size	d ₅₀ nominal = <input type="text" value="9"/> in
MHFD Riprap Type	* Type = <input type="text" value="L"/>

* Type M (d50=12") Rip-Rap
24" Depth to be installed

REFERENCE MATERIAL

**MASTER DEVELOPMENT DRAINAGE PLAN
AMENDMENT
FOR
STERLING RANCH**

**Prepared For:
SR Land, LLC
20 Boulder Crescent, 2nd Floor
Colorado Springs, CO 80903
(719) 491-3024**

(STILL UNDER REVIEW)

**October 21, 2021
Project No. 25188.04**

**Prepared By:
JR Engineering, LLC
5475 Tech Center Drive
Colorado Springs, CO 80919
(303)-267-6240
Contact: Mike Bramlett, PE**

CUHP-SWMM Comparison to HEC-HMS

The first hydrologic analysis done was to verify the validity of using CUHP-SWMM instead of the previously used HEC-HMS. A technical memo summarizing the results of this analysis can be found in **Appendix B**.

Existing Conditions

The second model was a re-evaluation of the existing conditions along Sand Creek. Basic basin parameters (area, imperviousness, slope, routing parameters) were taken from the MDDP HEC-HMS model to create a model as close the previous one as possible, with the only difference being the software used to model the hydrology. With no detention present in the existing conditions model, the CUHP-SWMM model was able to produce numbers that were an average of 15% different from the HEC-RAS model, despite being functionally different in how they calculate runoff. The most critical values obtained from the model are at design points 63, 60A, and 53A, which are along Sand Creek downstream of the project. DP63, located at Sterling Ranch Road, saw an increase in flows from 1911.5 cfs to 1980.7 cfs compared to the previous model. DP60A, located along Sand Creek adjacent to the Aspen Meadows subdivision saw flows increase from 1913.5 cfs to 1969.2 cfs. DP53A, located along Sand Creek at Detention Basin #3 saw flows increase from 2061.5 cfs to 2197.7 cfs. Tables summarizing the comparison between the CUHP-SWMM model and the HEC-HMS model can be found in **Appendix B**.

Proposed Conditions

One of the purposes of this MDDP Amendment is to account for completed and planned development. The third model was a re-evaluation of the proposed conditions along Sand Creek. The model was built using basic basin parameters (area, imperviousness, slope, routing parameters) taken from the MDDP for the basins that remain unchanged from the MDDP. For the rest of the basins, updates were made based on either preliminary or final designs taken from various Approved Drainage Reports. After re-evaluating the existing and proposed conditions of Sterling Ranch, it was determined that an on-line detention pond upstream of Sterling Ranch Road was still necessary in order to attenuate proposed flowrates below existing conditions flow rates. The following is a list of all the updates from the previous Proposed Conditions model:

- Pond W-3 has been updated based on preliminary designs proposed with this MDDP Amendment.

- The existing stock pond located near Sterling Ranch has been included in the model. Previously, the pond was excluded from the model since the thalweg of the channel did not go through the pond. Based on preliminary designs with this MDDP Amendment, the pond will remain in place, but flows will instead pass directly through it and outfall downstream via outlet structure.
- The larger stock pond located north of Briargate Parkway has been included in the model. Previously, the pond was excluded from the model since the thalweg of the channel did not go through the pond. Based on preliminary designs with this MDDP Amendment, the pond will remain in place, but flows will instead pass directly through it and outfall downstream via outlet structure. The smaller stock pond in this area is being removed from the channel, and thus will not need to be included in the model.
- With Sterling Ranch Phase 3 progressing to preliminary design, a 17.23 acre portion of Sub-Basin SCE-7 and a 11.06 acre portion of SCE-10 has been shifted to basin SC3-14B based on the proposed storm layout.
- As part of Sterling Ranch Phase 3, Pond 11A proved to be unnecessary as hypothesized in the MDDP. Sub-Basin 11A now drains to Pond FSD6.
- Sub-Basin SC3-7 still drains to FSD6 based on Pond W5 sizing. JR Engineering is currently coordinating with Matrix about the future routing of the flows from the Barbarick detention pond and rain garden through Sterling Ranch Phase 3, but for the purposes of this MDDP Amendment, flows from Sub-Basin SC3-7 have been accounted for in the design of Pond W-5 in Sterling Ranch Filing 2.
- Ponds 16A and 16B will be consolidated during final design for Sterling Ranch Phase 3. Since they haven't been designed yet, they will remain as shown in the MDDP since the areas haven't changed drastically. Sub-Basin SC3-16B's area has been modified slightly to account for the Sterling Ranch Phase 3 preliminary layout. The proposed Pond 16 will have the same release rate as Ponds 16A and 16B combined.
- Sterling Ranch Phase 3 is still in a preliminary design phase so Pond 14A and Pond 11B haven't had outlets designed yet. In order to update the storage and outfall curves, the preliminary pond grading was used along with the UD-Detention spreadsheet to generate a preliminary full spectrum ratings curve. Both the grading and outlet structure are subject to change during final design, but will maintain a discharge that is less than predevelopment flows.

The last and most crucial comparison is between the updated existing conditions model and the updated proposed conditions model. As seen in Table 1, all of the online and offline detention shows a clear reduction in flows along Sand Creek. The total volume of runoff is very similar in the undeveloped upper portion of the reach at Design Points 74, 75, and 78. As runoff accumulates downstream at Design Points 73, 71, 69, and 63 the volume of runoff drastically increases due to the increased imperviousness of the adjacent developments, but the peak flow rates remain lower than existing due to all of the full spectrum detention ponds along the reach. As seen in Table 1, Pond W-3 reduces peak flow rates downstream of it at Design Points 60A and 53A to below the pre-development rates seen in the updated existing conditions model. Flows have been reduced from 1969.2 and 2197.2 cfs, respectively, to 1889.4 and 1895.2 cfs. A table comparing the peak runoff rates and the total volume of runoff at the design points can be found in **Appendix C**.

DRAINAGE FACILITY DESIGN

General Concept

The third stated purpose of this MDDP Amendment is an evaluation of the required volume for on-line detention at Sterling Ranch Road (Pond W-3). Along with an on-line detention pond, new culverts are proposed at Sterling Ranch Road and Briargate Parkway by others. The amendment also includes revisions to the existing stock pond north of Sterling Ranch Road, the stock ponds north of Briargate Parkway, and improvements to Sand Creek channel.

Specific Details

Compared to the previous preliminary design of Pond W-3, the amount of storage volume has decreased from 78.2 ac-ft. to 50.6 ac-ft. In order to avoid classification as a jurisdictional dam, the maximum ponding depth is 10 feet. The peak release rate has been increased from 1350.6 cfs to 1552.5 cfs. Despite the increase in release rate, peak flow rates along Sand Creek downstream of the pond are lower than existing. The previous MDDP model outfalls at DP 53A, which is defined as the Full Spectrum Pond at Woodmen Drive, and so does the MDDP Amendment SWMM model. The MDDP model over-detains at Pond W-3 in order to reduce flows downstream well below those in the existing conditions. With the goal being to simply reduce flows to less than predevelopment rates, this amount of detention is unnecessary, hence the reduced storage volume and the increased release rate. A complete comparison between existing and proposed conditions of design flows along Sand Creek can be seen below.

Table 1.

Design Point Comparison Summary						
Location	Design Point ID	Existing (Updated)	Proposed (MDDP)	Proposed (Amendment)	% Difference Amend vs. MDDP	% Difference Amend vs. EX
		Q100 (cfs)				
	DP-74	352.3	262.8	293.8	12%	-17%
	DP-75	970.5	950.5	887.9	-7%	-9%
	DP-78	497.7	385.3	422.1	10%	-15%
	DP-73	1672	1506.7	1501.0	0%	-10%
Sterling Ranch N BNDY	DP-71	1734.9	1612.2	1627.1	1%	-6%
Briargate Pkwy X'ing	DP-69	1988.4	1775.7	1827.0	3%	-8%
Sterling Ranch S BNDY	DP-63	1980.7	1385.1	1580.5	14%	-20%
Marksheffel X'ing	DP-60A	1969.2	1661.8	1889.4	14%	-4%
Sand Creek and Pond 3	DP-53A	2197.7	1668.9	1895.2	14%	-14%
Near SE Prop Corner	DP-56	242.9	196.4	144.8	-26%	-51%

Conceptually, the current preliminary design for Pond W-3 is similar to what was previously shown in the MDDP. Ponding will occur adjacent to Sterling Ranch Road and pass through an outlet structure before entering the roadway culvert and continuing downstream. The Sterling Ranch Road culvert is currently proposed to be a Conspan arch, O-535 shape (by others).

The existing stock pond upstream of Sterling Ranch Road will remain in place, with flows passing through the pond and leaving through an outlet structure. The major change in how the pond functions is the new design does not have a diversion structure along Sand Creek that routes flows around the existing pond. Due the narrow space between the proposed development and the existing stock pond, this portion of channel would require extensive reinforcement due to high shears and velocities. In order to maintain the water right for the pond, an outlet orifice structure will maintain a static water surface of 7038 ft and all flows above that elevation will pass undetained through the orifice structure and outfall into Pond W-3. Adding the existing stock pond as online storage directly upstream of Pond W-3 made a drastic difference in peak flows. The time of peak concentration at Sterling Ranch Road was only about 20 minutes different, but the additional storage volume attributed to the stock ponds reduced peak flows by 160 cfs and reduced the maximum volume of water by 1.3 ac-ft.

The proposed channel improvements begin just north of the Sterling Ranch southern property boundary and run north roughly two miles to the northern property boundary. The channel will include a 17 feet wide, 0.71 feet deep, meandering bankfull channel along with a 1% flood terrace along the east side that ranges from 80 feet to 120 feet wide. The straight sections of channel will be rock riffles, while the curves will be eddy pools. The new bankfull will be set

lower than the existing channel to establish a new thalweg. Along the west side the bankfull channel will grade up to tie into the existing thalweg in order to preserve as many of the existing wetlands as possible. The channel has been broken up into three separate sections; Reach 1 is the portion between the southern boundary and Sterling Ranch Road, Reach 2 is the portion between Sterling Ranch Road and Briargate Parkway, and Reach 3 is the portion from Briargate Parkway to the northern boundary. A 15' maintenance trail will run the length of the channel on both sides of it, sitting several feet above the 100 year water surface, while access points from the proposed adjacent developments will be provided.

Reach 1 of the channel is approximately 900 feet long. Upstream, it ties in directly to the downstream grading of the proposed Conspan Arch, Type O-535 (by others) culvert at Sterling Ranch Road. The culvert was designed to pass the full 100-year FIS flow rate of 2600 cfs while still providing 1 foot of freeboard within the culvert. In the amended MDDP hydrology, the peak 100-year release from Pond W-3 is 1580 cfs. There are 7 riffle sections, all with a slope of 0.50%, while the slope through the eddy pools is flat. There are two grouted boulder drops structures along this reach, one approximately 3 feet tall and the other approximately 4 feet tall. Due to the development on both sides of the channel, the flood terrace is at its narrowest width of 50 feet along this section. As the channel moves downstream it eventually widens to a maximum flood terrace width of approximately 240 feet, before tying into the existing channel upstream of the property boundary.

Reach 2 of the channel is approximately 5,030 feet long. Upstream, it ties in directly to the downstream grading of the proposed Conspan Arch, Type C42T (by others) culvert at Briargate Parkway. The culvert was designed to pass the full 100-year FIS flow rate of 2600 cfs while still providing 1 foot of freeboard within the culvert. In the amended MDDP hydrology, the peak 100-year flow at DP 69, located at Briargate Parkway, is 1827 cfs. There are 32 riffle sections with slopes ranging from 1.11% to 5.00%, while the slope through the eddy pools is flat, except for 2 with slopes less than 1.5%. There are two grouted boulder drops structures along this reach, one approximately 3.5 feet tall and the other approximately 4.5 feet tall. The flood terrace varies in width along this reach from approximately 160 feet up to 330 feet wide. The channel ends at the existing stock pond upstream of Sterling Ranch Road. Flows will accumulate in the stock pond until they reach the static water surface and then overtop the orifice structure and then outfall directly into Pond W-3. With development currently happening on both sides of the channel, especially on the west side, retaining walls are used extensively to grade in the maintenance trail along this reach.

Reach 3 of the channel is approximately 2,807 feet long. In the amended MDDP hydrology, the peak 100-year flow at DP 71, located at the northern boundary of Sterling Ranch, is 1,627 cfs. There are 20 riffle sections with slopes ranging from 1.11% to 5.00%, while the slope through the eddy pools is flat, except for 2 with slopes less than 1.5%. There is one grouted boulder drops

HY-8 Culvert Analysis Report

Crossing Discharge Data

Discharge Selection Method: Specify Minimum, Design, and Maximum Flow

Minimum Flow: 0 cfs

Design Flow: 1550 cfs

Maximum Flow: 2600 cfs

Table 1 - Summary of Culvert Flows at Crossing: SRR (separate berm)

Headwater Elevation (ft)	Total Discharge (cfs)	Culvert 1 Discharge (cfs)	Culvert 2 (low flow) Discharge (cfs)	Roadway Discharge (cfs)	Iterations
7000.88	0.00	0.00	0.00	0.00	0
7003.13	260.00	151.32	108.64	0.00	3
7004.37	520.00	339.63	180.32	0.00	4
7005.52	780.00	552.62	227.38	0.00	4
7006.71	1040.00	773.45	266.59	0.00	4
7008.18	1300.00	994.87	305.19	0.00	4
7009.91	1550.00	1205.48	344.57	0.00	4
7011.14	1820.00	1333.23	369.90	115.89	7
7011.40	2080.00	1359.45	375.23	344.67	5
7011.62	2340.00	1380.22	379.47	580.03	5
7011.81	2600.00	1398.22	383.17	817.61	4
7010.88	1672.34	1307.58	364.76	0.00	Overtopping

Rating Curve Plot for Crossing: SRR (separate berm)

Total Rating Curve

Crossing: SRR (separate berm)

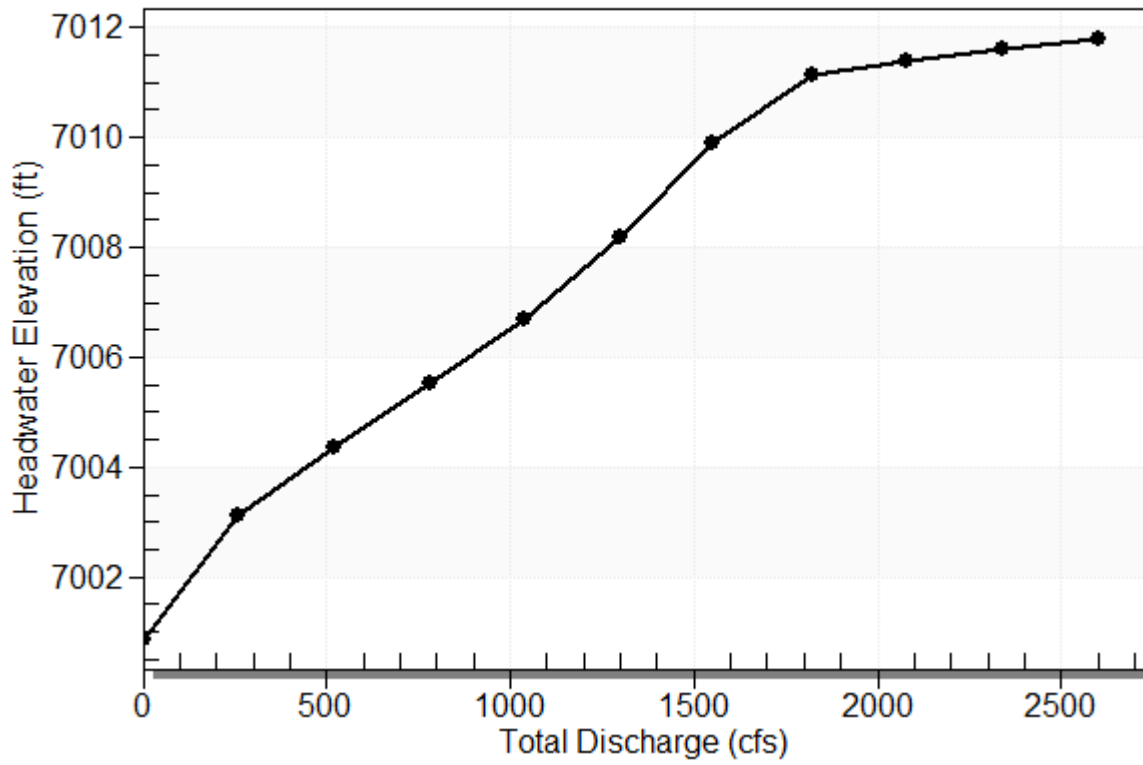


Table 2 - Culvert Summary Table: Culvert 1

Total Discharge (cfs)	Culvert Discharge (cfs)	Headwater Elevation (ft)	Inlet Control Depth (ft)	Outlet Control Depth (ft)	Flow Type	Normal Depth (ft)	Critical Depth (ft)	Outlet Depth (ft)	Tailwater Depth (ft)	Outlet Velocity (ft/s)	Tailwater Velocity (ft/s)
0.00	0.00	7000.88	0.000	0.000	0-NF	0.000	0.000	0.000	0.000	0.000	0.000
260.00	151.32	7003.13	1.745	1.751	3-M2t	1.225	1.017	1.177	1.738	4.944	2.537
520.00	339.63	7004.37	2.954	2.998	3-M2t	2.077	1.743	2.032	2.593	6.429	3.216
780.00	552.62	7005.52	4.097	4.143	3-M2t	2.886	2.412	2.703	3.264	7.863	3.673
1040.00	773.45	7006.71	5.326	5.184	3-M2t	3.644	3.018	3.274	3.835	9.085	4.027
1300.00	994.87	7008.18	6.800	6.142	7-M2t	4.000	3.569	3.780	4.341	10.124	4.318
1550.00	1205.48	7009.91	8.531	4.111	5-M2t	4.000	4.000	3.780	4.781	0.000	4.558
1820.00	1333.23	7011.14	9.756	4.548	5-M2t	4.000	4.000	3.780	5.218	10.124	4.786
2080.00	1359.45	7011.40	10.024	4.939	5-M2t	4.000	4.000	3.780	5.609	10.124	4.982
2340.00	1380.22	7011.62	10.241	5.306	5-M2t	4.000	4.000	3.780	5.976	10.124	5.159
2600.00	1398.22	7011.81	10.431	5.652	5-M2t	4.000	4.000	3.780	6.322	10.124	5.322

Straight Culvert

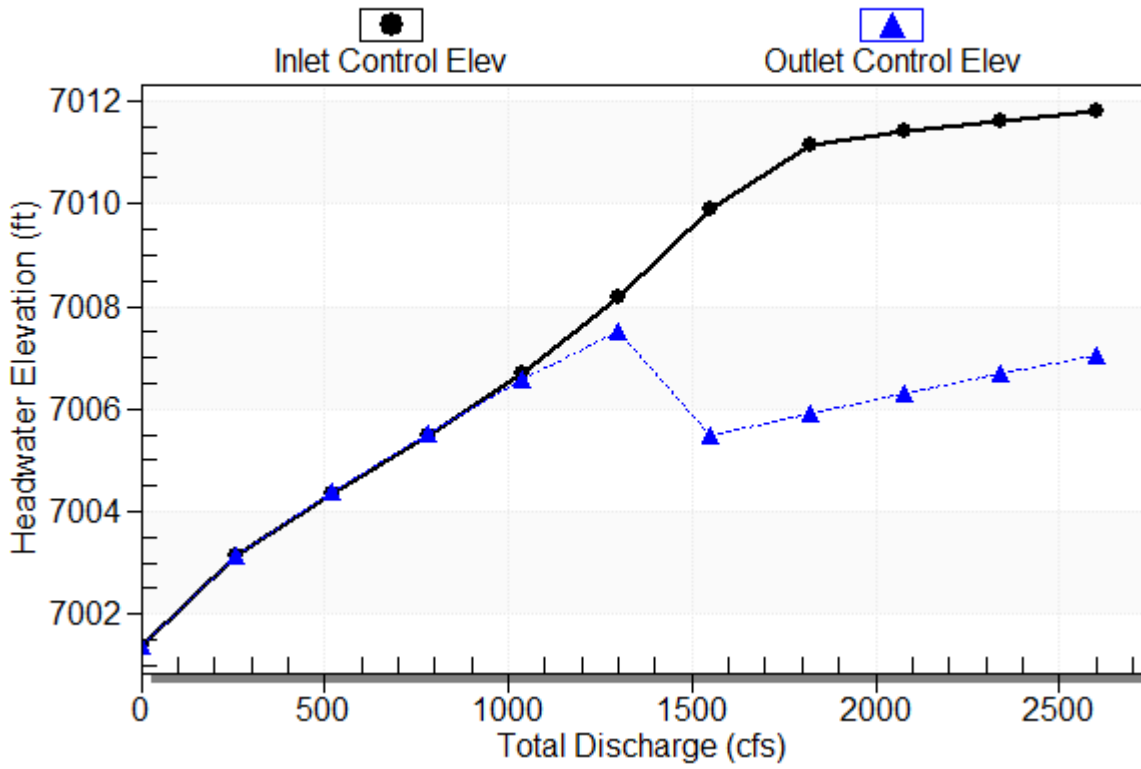
Inlet Elevation (invert): 7001.38 ft, Outlet Elevation (invert): 7001.27 ft

Culvert Length: 84.00 ft, Culvert Slope: 0.0013

Culvert Performance Curve Plot: Culvert 1

Performance Curve

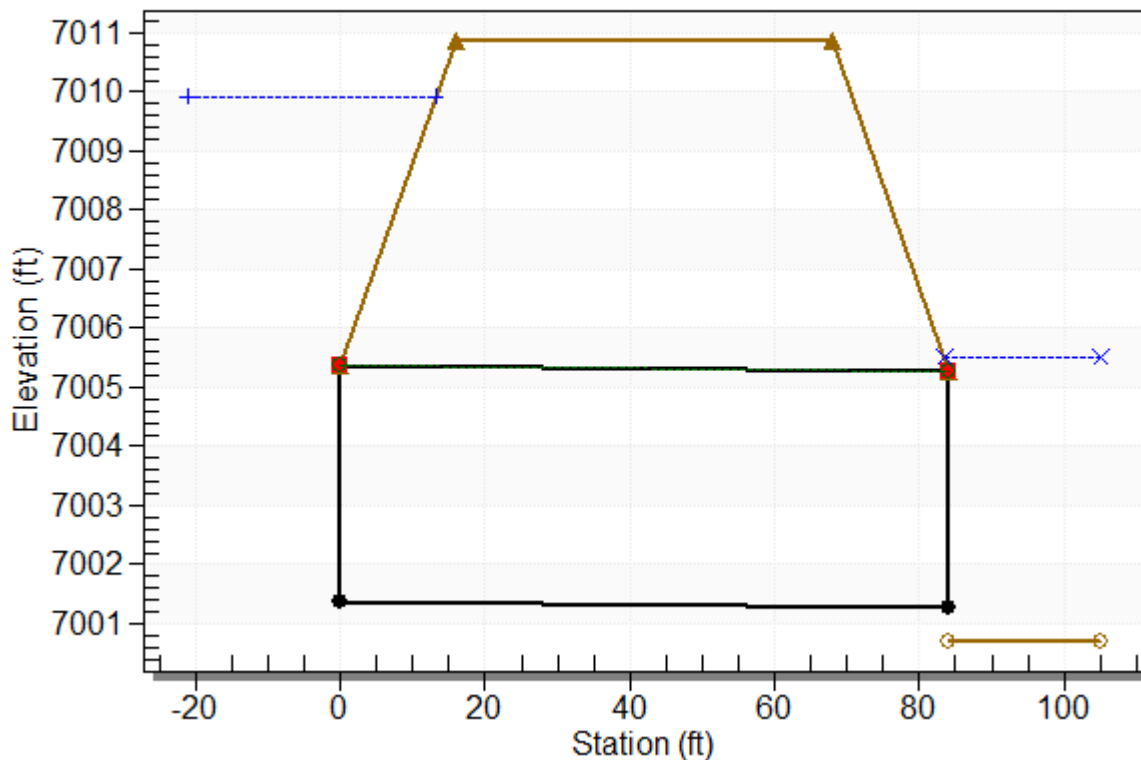
Culvert: Culvert 1



Water Surface Profile Plot for Culvert: Culvert 1

Crossing - SRR (separate berm), Design Discharge - 1550.0 cfs

Culvert - Culvert 1, Culvert Discharge - 1205.5 cfs



Site Data - Culvert 1

Site Data Option: Culvert Invert Data

Inlet Station: 0.00 ft

Inlet Elevation: 7001.38 ft

Outlet Station: 84.00 ft

Outlet Elevation: 7001.27 ft

Number of Barrels: 2

Culvert Data Summary - Culvert 1

Barrel Shape: Concrete Box

Barrel Span: 13.00 ft

Barrel Rise: 4.00 ft

Barrel Material: Concrete

Embedment: 0.00 in

Barrel Manning's n: 0.0120

Culvert Type: Straight

Inlet Configuration: Square Edge (90°) Headwall

Inlet Depression: None

Table 3 - Culvert Summary Table: Culvert 2 (low flow)

Total Discharge (cfs)	Culvert Discharge (cfs)	Headwater Elevation (ft)	Inlet Control Depth (ft)	Outlet Control Depth (ft)	Flow Type	Normal Depth (ft)	Critical Depth (ft)	Outlet Depth (ft)	Tailwater Depth (ft)	Outlet Velocity (ft/s)	Tailwater Velocity (ft/s)
0.00	0.00	7000.88	0.000	0.000	0-NF	0.000	0.000	0.000	0.000	0.000	0.000
260.00	108.64	7003.13	2.213	2.235	7-M1t	1.340	1.294	1.738	1.738	4.808	2.537
520.00	180.32	7004.37	3.494	3.860	4-FFf	1.865	1.815	2.000	2.593	6.935	3.216
780.00	227.38	7005.52	4.644	5.380	4-FFf	2.000	2.000	2.000	3.264	8.745	3.673
1040.00	266.59	7006.71	5.825	6.807	4-FFf	2.000	2.000	2.000	3.835	10.253	4.027
1300.00	305.19	7008.18	7.300	8.288	4-FFf	2.000	2.000	2.000	4.341	11.738	4.318
1550.00	344.57	7009.91	9.031	9.860	4-FFf	2.000	2.000	2.000	4.781	13.253	4.558
1820.00	369.90	7011.14	10.255	11.097	4-FFf	2.000	2.000	2.000	5.218	14.227	4.786
2080.00	375.23	7011.40	10.524	11.663	4-FFf	2.000	2.000	2.000	5.609	14.432	4.982
2340.00	379.47	7011.62	10.740	12.172	4-FFf	2.000	2.000	2.000	5.976	14.595	5.159
2600.00	383.17	7011.81	10.931	12.642	4-FFf	2.000	2.000	2.000	6.322	14.737	5.322

Straight Culvert

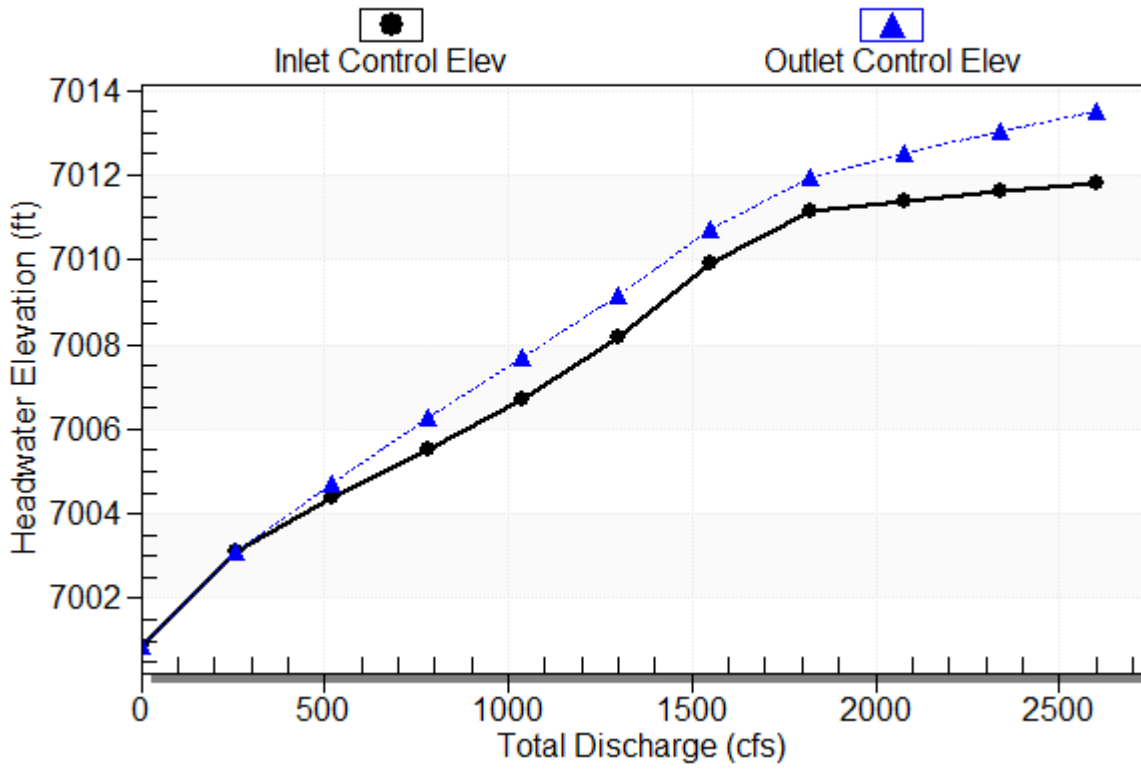
Inlet Elevation (invert): 7000.88 ft, Outlet Elevation (invert): 7000.71 ft

Culvert Length: 84.00 ft, Culvert Slope: 0.0020

Culvert Performance Curve Plot: Culvert 2 (low flow)

Performance Curve

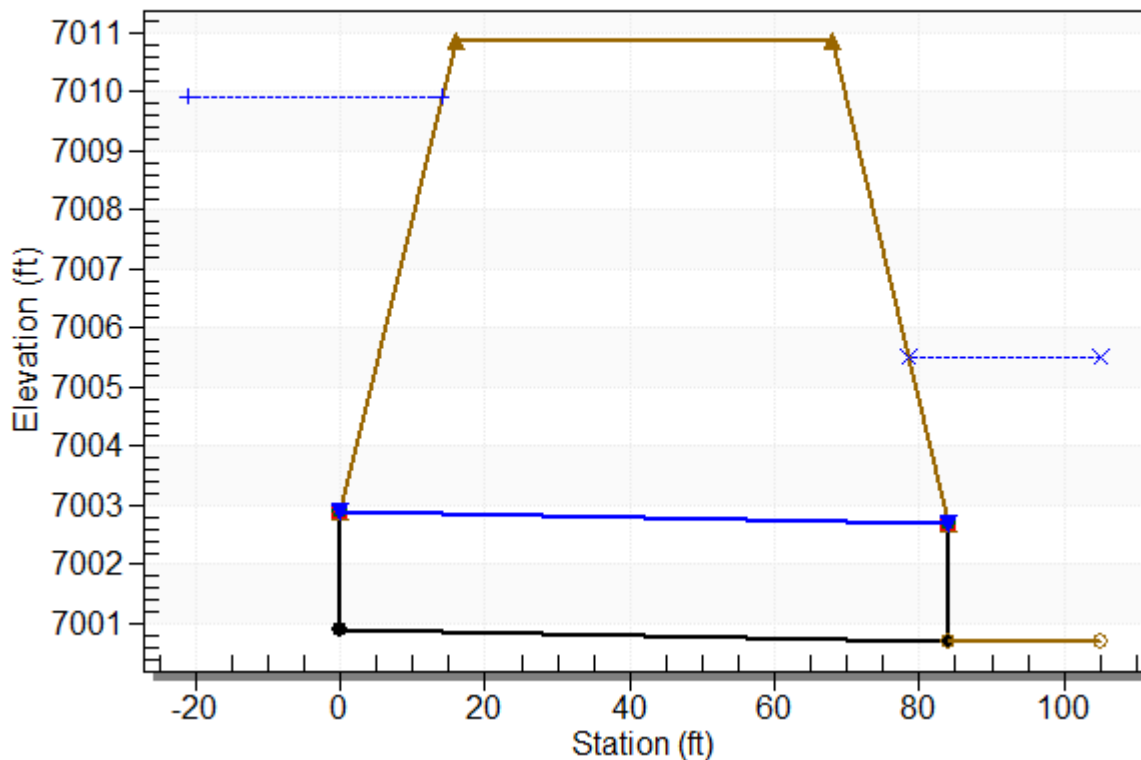
Culvert: Culvert 2 (low flow)



Water Surface Profile Plot for Culvert: Culvert 2 (low flow)

Crossing - SRR (separate berm), Design Discharge - 1550.0 cfs

Culvert - Culvert 2 (low flow), Culvert Discharge - 344.6 cfs



Site Data - Culvert 2 (low flow)

Site Data Option: Culvert Invert Data

Inlet Station: 0.00 ft

Inlet Elevation: 7000.88 ft

Outlet Station: 84.00 ft

Outlet Elevation: 7000.71 ft

Number of Barrels: 1

Culvert Data Summary - Culvert 2 (low flow)

Barrel Shape: Concrete Box

Barrel Span: 13.00 ft

Barrel Rise: 2.00 ft

Barrel Material: Concrete

Embedment: 0.00 in

Barrel Manning's n: 0.0120

Culvert Type: Straight

Inlet Configuration: Square Edge (90°) Headwall

Inlet Depression: None

Table 4 - Downstream Channel Rating Curve (Crossing: SRR (separate berm))

Flow (cfs)	Water Surface Elev (ft)	Depth (ft)	Velocity (ft/s)	Shear (psf)	Froude Number
0.00	7000.71	0.00	0.00	0.00	0.00
260.00	7002.45	1.74	2.54	0.22	0.36
520.00	7003.30	2.59	3.22	0.32	0.38
780.00	7003.97	3.26	3.67	0.41	0.39
1040.00	7004.55	3.84	4.03	0.48	0.40
1300.00	7005.05	4.34	4.32	0.54	0.41
1550.00	7005.49	4.78	4.56	0.60	0.41
1820.00	7005.93	5.22	4.79	0.65	0.42
2080.00	7006.32	5.61	4.98	0.70	0.42
2340.00	7006.69	5.98	5.16	0.75	0.43
2600.00	7007.03	6.32	5.32	0.79	0.43

Tailwater Channel Data - SRR (separate berm)

Tailwater Channel Option: Trapezoidal Channel

Bottom Width: 52.00 ft

Side Slope (H:V): 4.00 (4:1)

Channel Slope: 0.0020

Channel Manning's n: 0.0350

Channel Invert Elevation: 7000.71 ft

Roadway Data for Crossing: SRR (separate berm)

Roadway Profile Shape: Constant Roadway Elevation

Crest Length: 300.00 ft

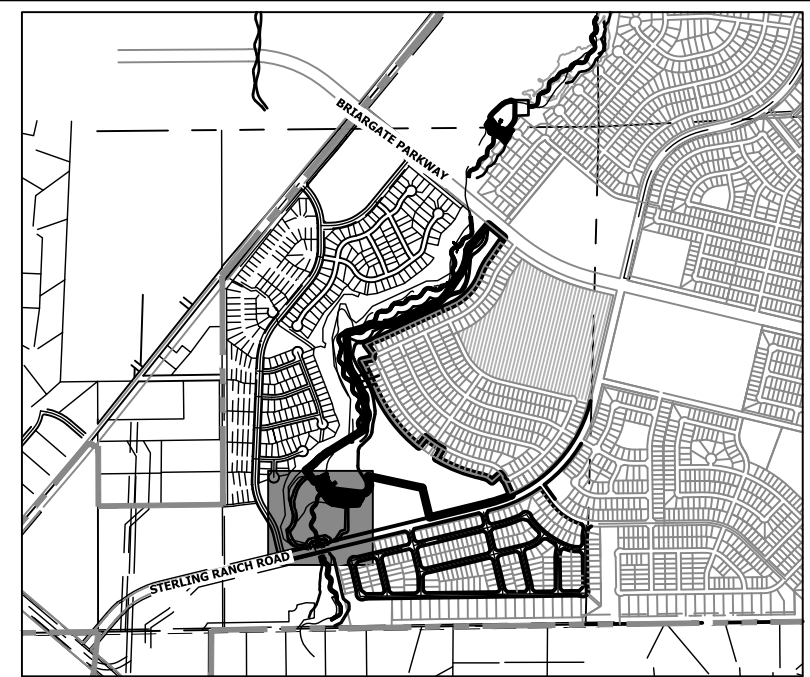
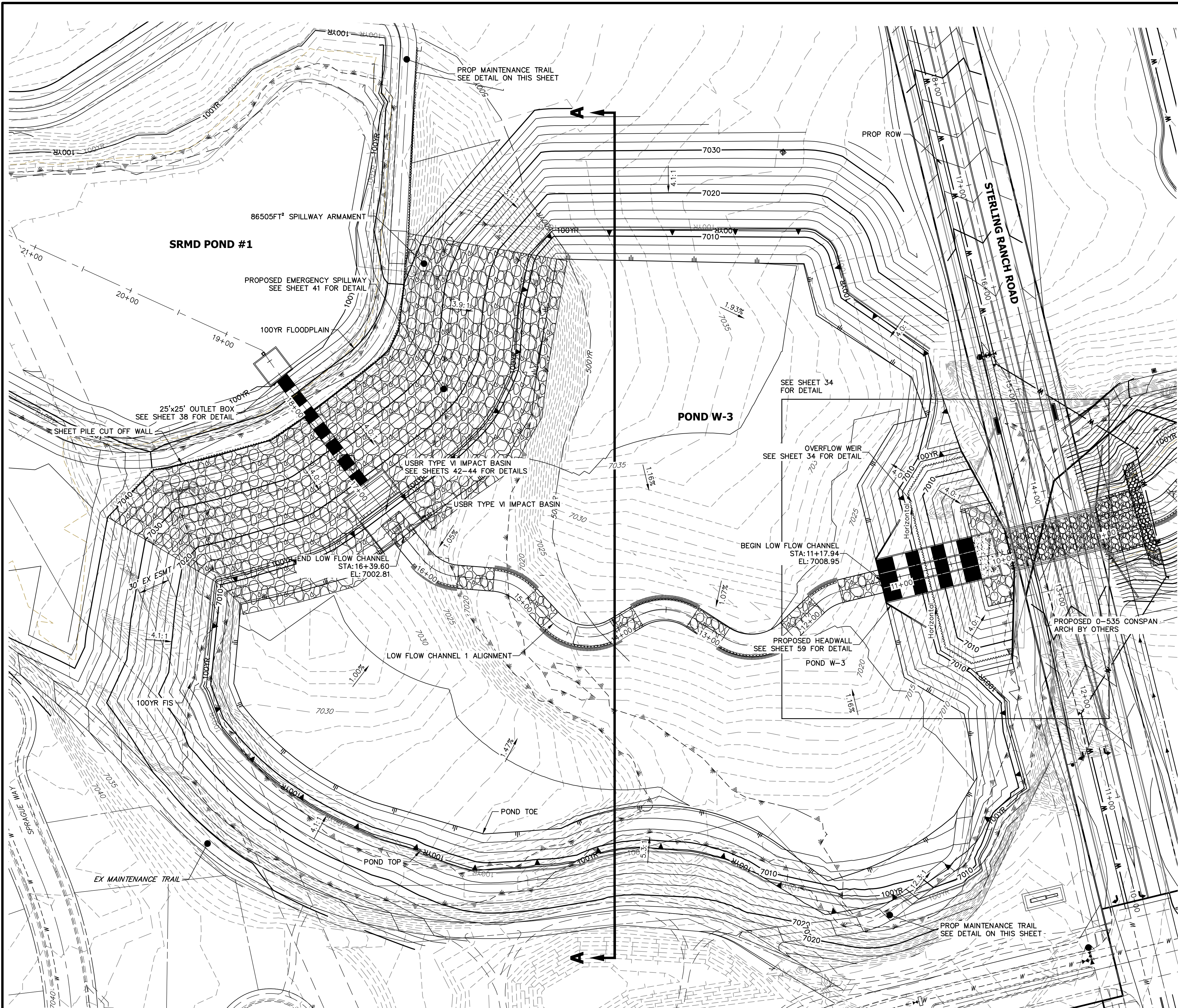
Crest Elevation: 7010.88 ft

Roadway Surface: Paved

Roadway Top Width: 52.00 ft

Sterling Ranch - East Fork Basin
Hydrologic Study - Developed Conditions - Reach Data

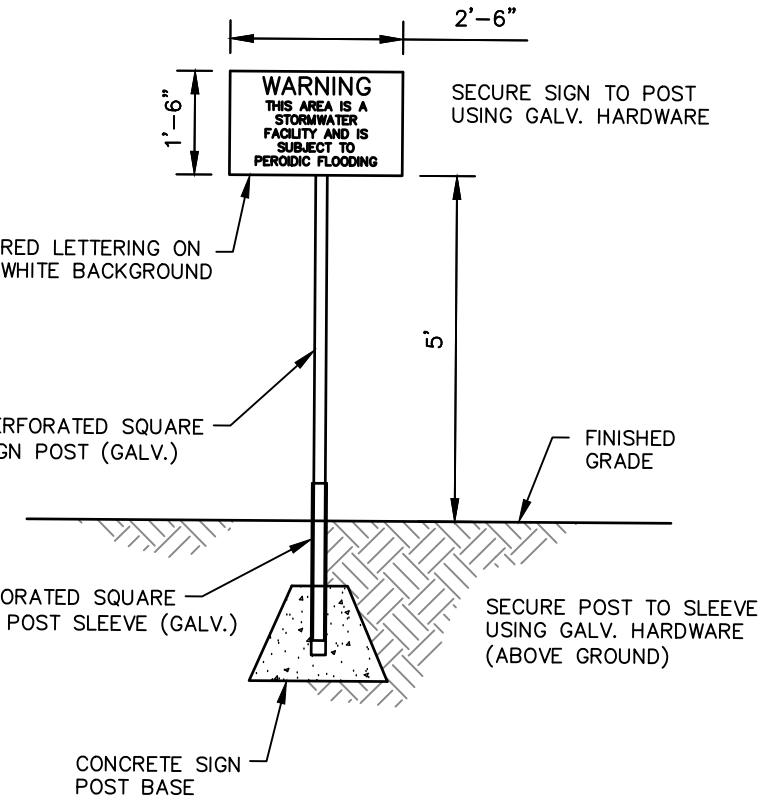
Reach ID	Reach Length L1 (ft)	Reach Vert. Drop H1 (ft)	Reach Slope S1 %	Mannings N Value n	Reach Side Slope SS (H/V)	Bottom Width BW (ft)	Diameter D ft
RT-1E	300	6	2.0%	0.013	N/A	N/A	4
RT-2E	2000	40	2.0%	0.013	N/A	N/A	4
RT-3E	400	10	2.5%	0.013	N/A	N/A	4
RT-4E	3600	90	2.5%	0.013	N/A	N/A	4
RT-5E	1250	31	2.5%	0.013	N/A	N/A	5
RT-6E	1485	37	2.5%	0.013	N/A	N/A	4
RT-7E	1410	35	2.5%	0.013	N/A	N/A	6



KEY MAP
SCALE: 1"=2000'

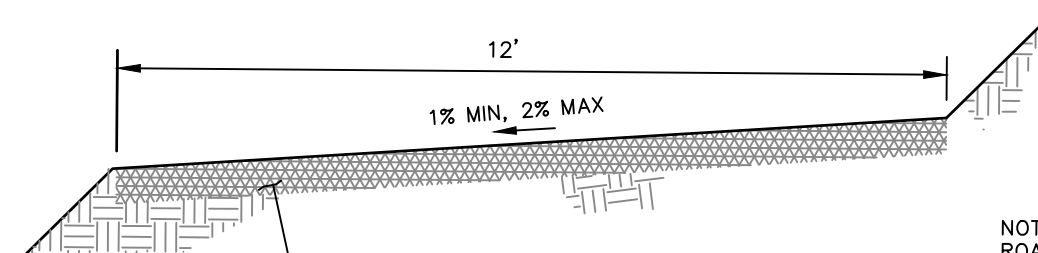
GRADING NOTES:

1. ALL PROPOSED CONTOURS ARE TO FINISHED GRADE.
2. EARTHEN CUT AND FILL SLOPES SHALL BE 3:1 MAXIMUM. SLOPES IN EXCESS OF 4:1 AND AREAS OTHERWISE INDICATED BY WITHIN THESE PLANS, SHALL BE COVERED WITH SOIL RETENTION BLANKET OVER 4" MIN. THICKNESS OF TOPSOIL AND SEEDED.
3. IF THE PROJECT IS CONSTRUCTED DURING THE SUMMER WHEN SEEDING IS NOT ALLOWED, APPLY 1-1/2 TONS OF CERTIFIED WEED FREE MULCH PER ACRE MECHANICALLY CRIMPED INTO THE SOIL IN COMBINATION WITH AN ORGANIC MULCH TACKIFIER.
4. PRIOR TO ANY CONSTRUCTION ACTIVITIES THE PROPOSED SILT FENCE SHOWN ON THE EROSION CONTROL SHEET SHALL BE CONSTRUCTED. THE FENCE SHALL BE REMOVED UPON THE LATER OF STABILIZATION OF THE SITE OR COMPLETION OF CONSTRUCTION.
5. TO REDUCE THE POTENTIAL FOR CLOGGING OF DEBRIS GRATES, NO STRAW MULCH SHALL BE USED WITHIN THE EURV OR WQCV OF A DETENTION BASIN. INSTEAD, EROSION CONTROL BLANKETS SHALL BE INSTALLED FOR A WIDTH OF AT LEAST 6 FEET ON EITHER SIDE OF CONCRETE LOW-FLOW CHANNELS. THE BLANKETS SHALL COMPLY WITH THE MATERIALS AND INSTALLATION REQUIREMENTS FOR EROSION CONTROL BLANKETS (STRAW COCONUT OR 100 PERCENT COCONUT). SITE-SPECIFIC CONDITIONS MAY REQUIRE ADDITIONAL BLANKET OR OTHER EROSION CONTROL MEASURES.

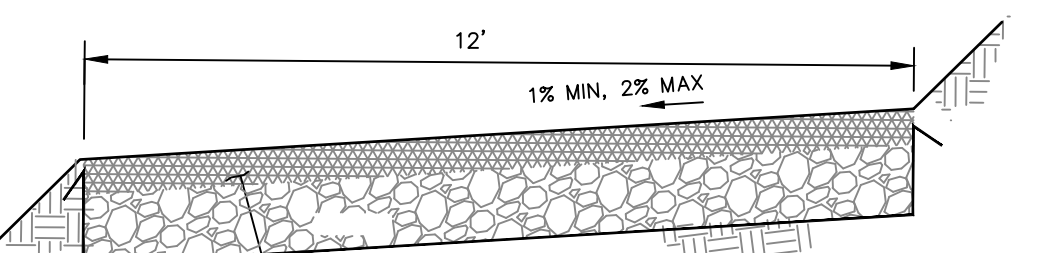


POND WARNING SIGN
SCALE: N.T.S.

POND W-3 PLAN
SCALE: 1"=50'



MAINTENANCE & ACCESS ROAD
ABOVE EURV TYPICAL SECTION
SCALE: N.T.S.



MAINTENANCE & ACCESS ROAD
BELOW EURV TYPICAL SECTION
SCALE: N.T.S.

UNLESS NOTED OTHERWISE, THESE DRAWINGS ARE APPROVED BY THE APPROPRIATE REVIEWING AGENCIES, OR ENGINEERING APPROVES THEIR USE AS DESIGNATED BY WRITTEN AUTHORIZATION.

PREPARED FOR
SR LAND, LLC
20 BOULDER CRESCENT
2ND FLOOR
COLORADO SPRINGS, CO 80903
JAMES F. MORLEY
(719) 419-3024

J.R. ENGINEERING
A Westman Company
Central 303-740-9383 • Colorado Springs 719-583-2583
Fort Collins 970-491-9888 • www.jrengineering.com

BY DATE		No.	REVISION

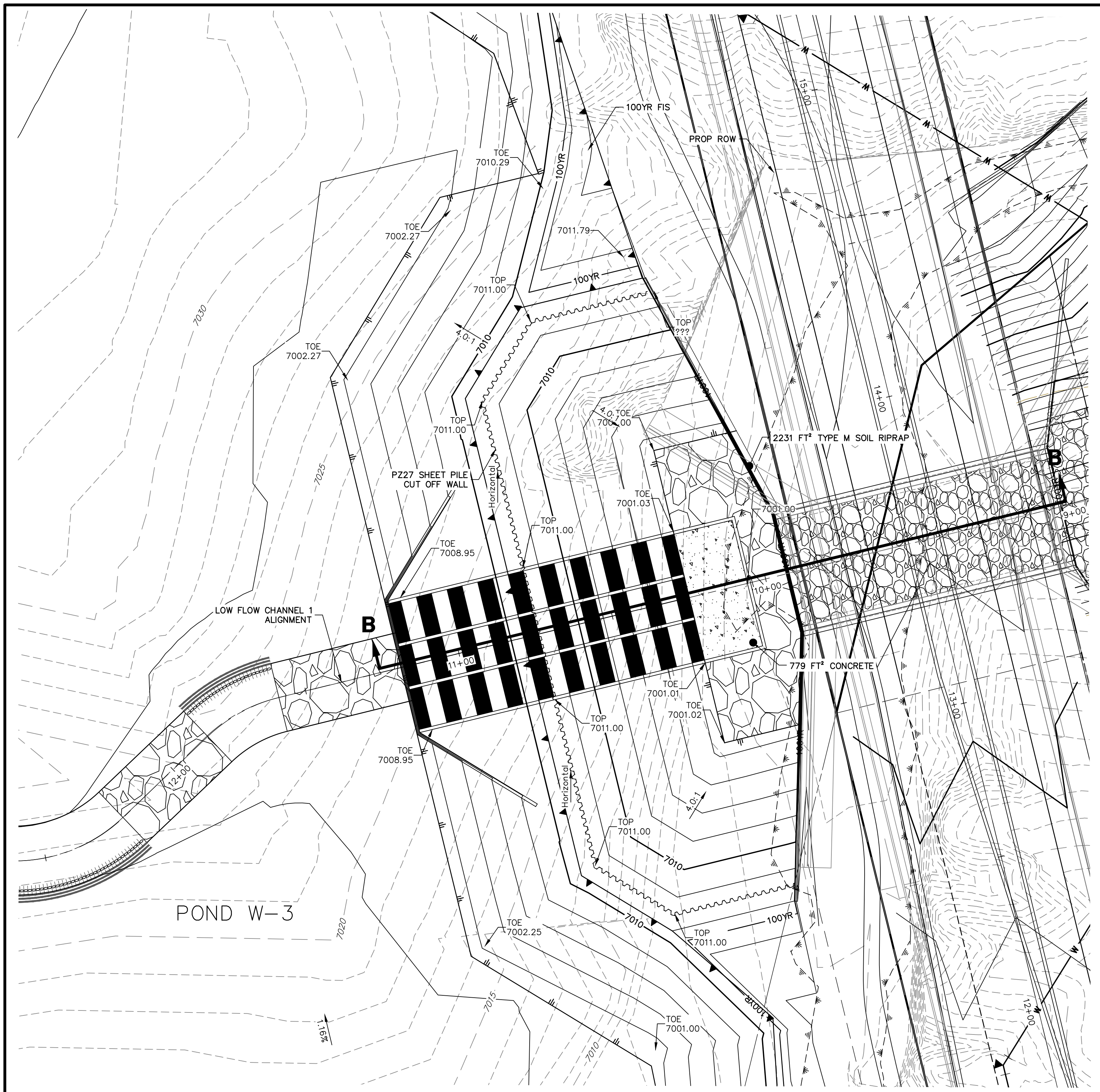
H-SCALE	V-SCALE	DATE	DESIGNED BY	DRAWN BY	CHECKED BY
1"=50'	N/A	4/11/22	DV	SCH	

SAND CREEK RESTORATION
POND PLANS
SHEET 33 OF 81
JOB NO. 25188.04

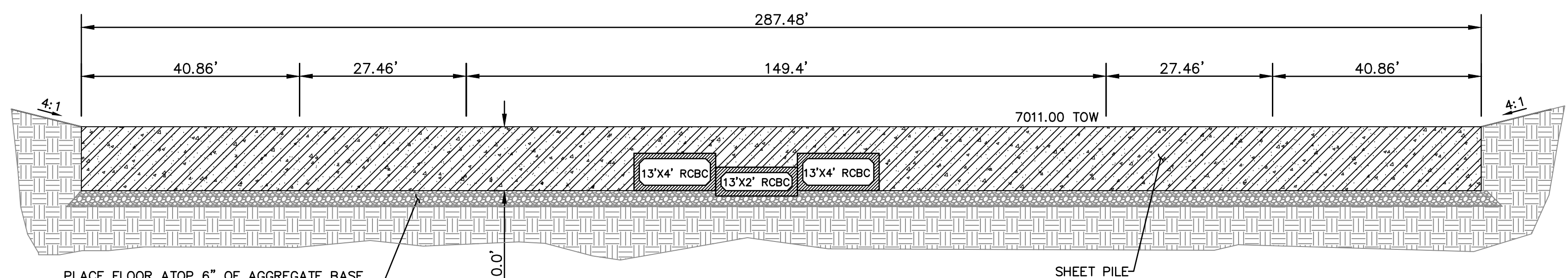


ENGINEER'S STATEMENT

PREPARED UNDER MY DIRECT SUPERVISION AND CONTROL BY
PRELIMINARY NOT FOR CONSTRUCTION
MIKE A. BRAMBLE
COLORADO P.E. 30115
FOR AND ON BEHALF OF JR ENGINEERING, LLC

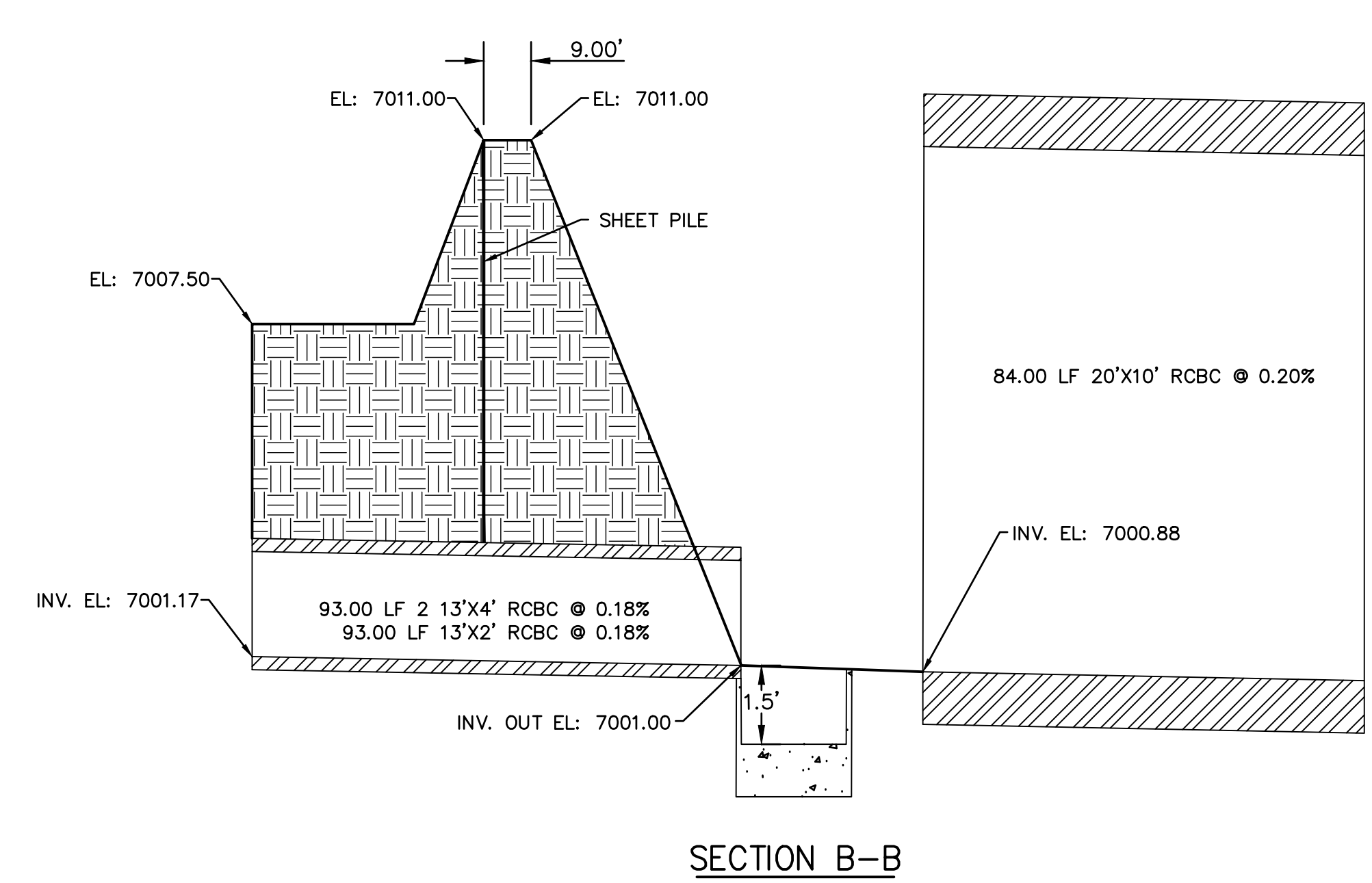


POND W-3 OVERFLOW WEIR
SCALE: 1"=20'

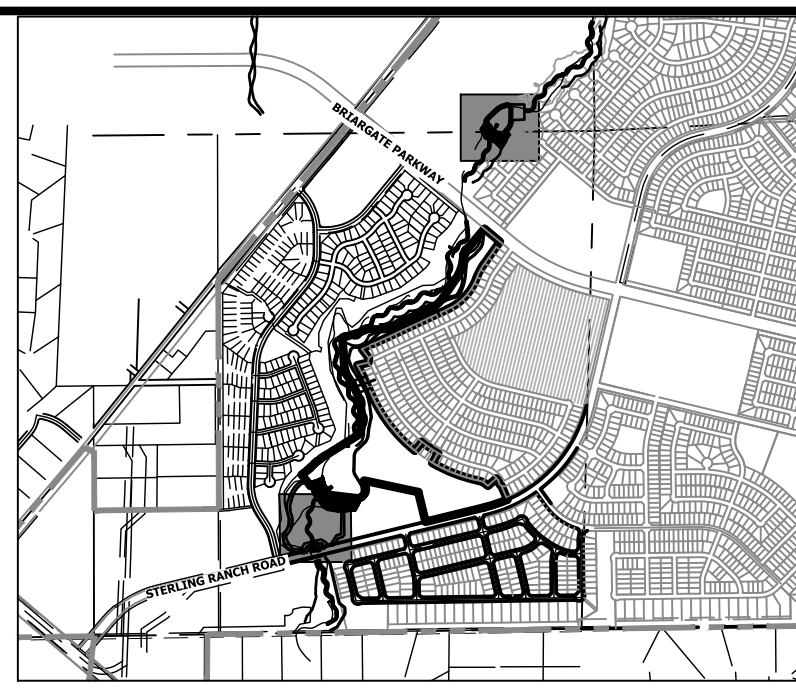


PLACE FLOOR ATOP 6" OF AGGREGATE BASE
BASE COARSE AND COMPACTED SUBGRADE. IF
MUCK IS ENCOUNTERED, USE MAX. OF 1-1/2"
TO 3" ROCK ATOP 12" OF 3"-5" ROCK
(DEPENDANT UPON FIELD CONDITIONS)

BERM DETAIL
SCALE: N.T.S.



SECTION B-B
SCALE: N.T.S.



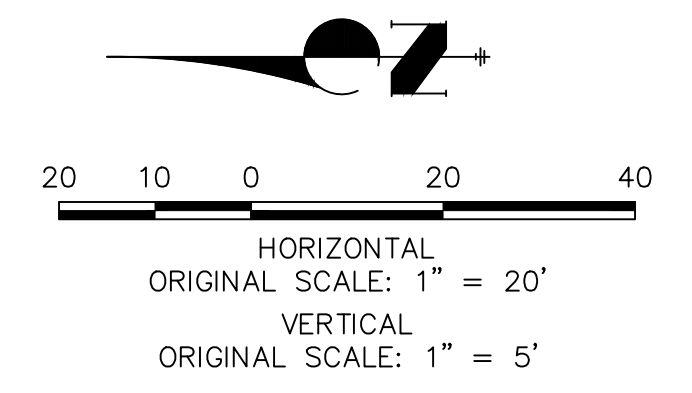
KEY MAP
SCALE: 1"=2000'

PREPARED FOR
SR LAND, LLC
20 BOULDER CRESCENT
2ND FLOOR
COLORADO SPRINGS, CO 80903
JAMES F. MORLEY
(719) 419-3024

UNLESS OTHERWISE NOTED,
THESE DRAWINGS ARE
APPROVED BY THE
APPROPRIATE REVIEWING
AGENCIES, OR ENGINEERING
DESIGNATED BY WRITTEN
AUTHORIZATION.

J.R. ENGINEERING
A Westman Company
Central: 303-740-9888 • Colorado Springs 719-583-2593
Fort Collins 970-491-9888 • www.jrengineering.com

NO.	REVISION	BY	DATE

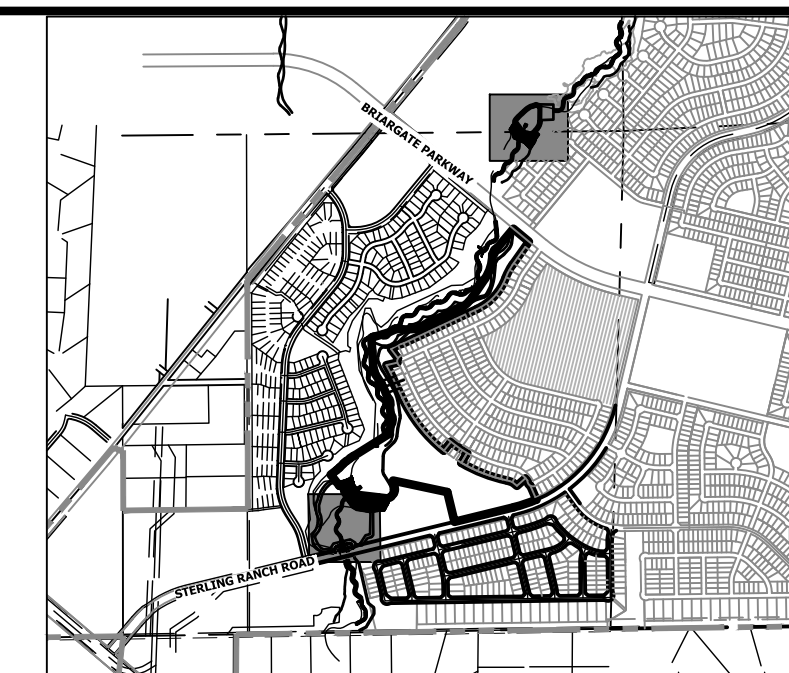
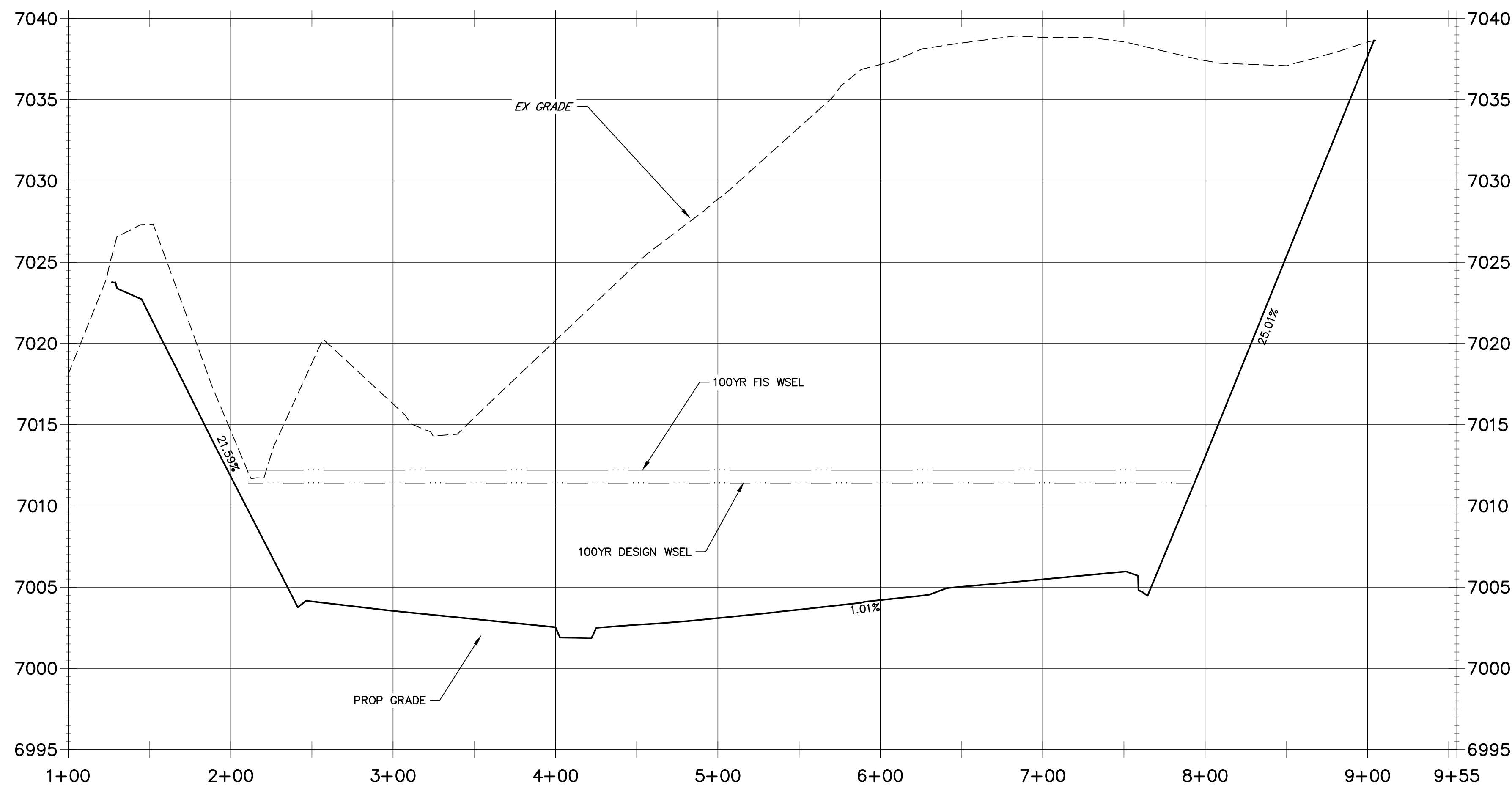


SAND CREEK RESTORATION	H-SCALE 1"=20'	POND PLANS
	V-SCALE 1"=5'	
	DATE 04/11/22	
SHEET 34 OF 81	DESIGNED BY 	JOB NO. 25188.04
	DRAWN BY 	
	CHECKED BY 	



ENGINEER'S STATEMENT
PREPARED UNDER MY DIRECT SUPERVISION
PRELIMINARY NOT FOR CONSTRUCTION
MIKE A. BRAMLEY
COLORADO P.E. #

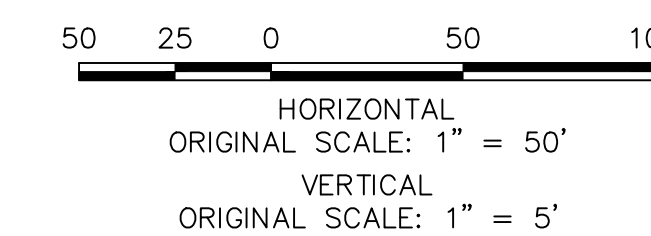
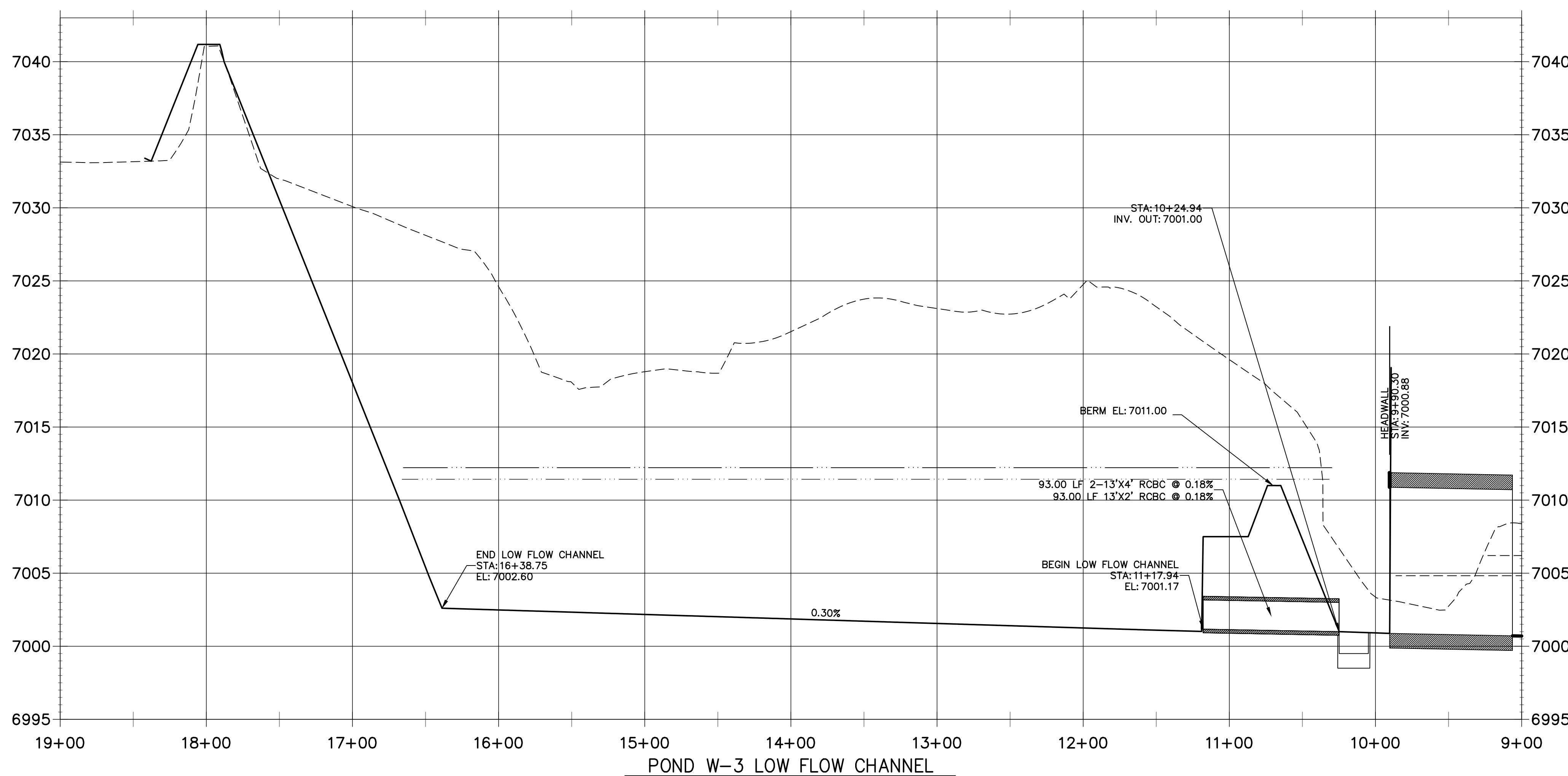
**CROSS SECTION A-A
STA 1+00.00 TO 9+55.00**



KEY MAP
SCALE: 1"=2000'

**LOW FLOW CHANNEL 1
STA 9+00.00 TO 19+00.00**

**POND W-3
CROSS SECTION A-A**
HORIZONTAL SCALE: 1"=50'



Know what's below.
Call before you dig.

ENGINEER'S STATEMENT

PREPARED UNDER MY DIRECT SUPERVISION AND CONTROL
**PRELIMINARY
NOT FOR
CONSTRUCTION**
 MIKE A. BRAMLEY
 COLORADO P.E. NO. 30580
 FOR AND ON BEHALF OF J.R. ENGINEERING, LLC

UNTIL SUCH TIME AS THESE DRAWINGS ARE APPROVED BY THE APPROPRIATE REVIEWING AGENCIES, J.R. ENGINEERING APPROVES THEIR USE FOR THE PURPOSES DESIGNATED BY WRITTEN AUTHORIZATION.

PREPARED FOR
SR LAND, LLC
 20 BOULDER CRESCENT
 2ND FLOOR
 COLORADO SPRINGS, CO 80903
 JAMES F. MORLEY
 (719) 419-3024

J.R. ENGINEERING
 A Westman Company
 Central 303-740-9383 • Colorado Springs 719-583-2583
 Fort Collins 970-491-9888 • www.jrengineering.com

BY	DATE

No.	REVISION

H-SCALE	V-SCALE	DATE	DESIGNED BY	DRAWN BY	CHECKED BY
1"=50'	1"=5'	04/11/22	DV	SCH	

SAND CREEK RESTORATION
POND PLANS
 SHEET 35 OF 81
 JOB NO. 25188.04

SECTION 404 PERMITTING (2016)



REPLY TO
ATTENTION OF

DEPARTMENT OF THE ARMY
ALBUQUERQUE DISTRICT, CORPS OF ENGINEERS
200 SOUTH SANTA FE AVENUE, SUITE 301
PUEBLO, COLORADO 81003-4270

SIGNED

February 29, 2016

Regulatory Division

SUBJECT: Action No. SPA-2015-00428-SCO, Sterling Ranch Residential Development Project, El Paso County, Colorado

Jim Morley
SR Land, LLC
20 Boulder Crescent Suite 201
Colorado Springs, CO 80903

Mr. Morley:

You are hereby authorized under Section 404 of the Clean Water Act to discharge dredged and fill material into waters of the United States to conduct work in associated with construction of the Sterling Ranch Residential Development in accordance with Action Number SPA-2015-00428-SCO. A copy of the permit is enclosed.

To use this permit, you must ensure that the work is conducted in accordance with the terms and conditions of the permit. You must submit revised drawings to us for approval prior to construction should any changes be found necessary in either the location or plans for the work. Approval of revised plans may be granted if they are found not contrary to the public interest.

This permit is not an approval of the project design features, nor does it imply that the construction is adequate for its intended purpose. This permit does not authorize any injury to property or invasion of rights or any infringement of Federal, state or local laws or regulations. You must possess the authority, including property rights, to undertake the proposed work.

Enclosed is a compliance certification form. Upon completion of the project, please sign and date the form and return it to this office.

If you have any questions concerning our regulatory program, please contact me at 719-543-6915 or by e-mail at van.a.truan@usace.army.mil. At your convenience,

please complete a Customer Service Survey at
<http://per2.nwp.usace.army.mil/survey.html>.

Sincerely,

A handwritten signature in black ink, appearing to read "Van Truan", with a long horizontal flourish extending to the right.

Van Truan
Chief, Southern Colorado
Regulatory Branch

Enclosure(s)

**Certification of Compliance
with Department of the Army Permit**

Action Number: SPA-2015-00428-SCO

Name of Permittee: SR Land, LLC

Upon completion of the activity authorized by this permit and any mitigation required by the permit, sign this certification and return it to the following address:

Van Truan
Albuquerque District, U.S. Army Corps of Engineers
200 South Santa Fe Avenue, Suite 301
Pueblo, Colorado 81003-4270

Please note that your permitted activity is subject to a compliance inspection by an U.S. Army Corps of Engineers representative. If you fail to comply with this permit, you are subject to permit suspension, modification, or revocation.

Please enclose photographs showing the completed project (if available).

I hereby certify that the work authorized by the above referenced permit has been completed in accordance with the terms and conditions of the said permit, and required mitigation was completed in accordance with the permit conditions.

Date Work Started _____

Date Work Completed _____

Date

Signature of Permittee

DEPARTMENT OF THE ARMY PERMIT

Permittee Jim Morley

Permit No. SPA-2015-00428-SCO

Issuing Office Albuquerque District, U.S. Army Corps of Engineers

NOTE: The term "you" and its derivatives, as used in this permit, means the permittee or any future transferee. The term "this office" refers to the appropriate district or division office of the Corps of Engineers having jurisdiction over the permitted activity or the appropriate official of that office acting under the authority of the commanding officer.

You are authorized to perform work in accordance with the terms and conditions specified below.

Project Description: The Sterling Ranch Residential Development Project includes installation of attendant utilities, channel improvements to the main stem of Sand Creek, three off-line stormwater detention ponds, development of two permanent residential access roads and associated culverts, and development of residential units. Permanent impacts to waters of the US will result from construction of the residential access roads and associated culverts, and construction of residential units in the unnamed western tributary to Sand Creek. Total cumulative permanent impacts from the discharge of fill material into waters/wetlands of the US from the proposed project will total 4.21 acres and 5,048 linear feet within the main channel of Sand Creek and its western tributary. The project will be constructed in accordance with the attached drawings, entitled, "Sterling Ranch Wetland Impact Location Map, Sterling Ranch Sketch Plan figure number 8, and Sterling Ranch Channel Improvements & Mitigation Plan sheets 1 through 3 dated October 13, 2015, in Sand Creek, El Paso County, Colorado, Application by Jim Morley, Application No. SPA-2015-00428-SCO".

Project Location: The project is located on 1,443.7 acres northeast of the intersection of Black Forest Road and Woodmen Road in unincorporated El Paso County, Colorado. The property is on the United States Geological Survey (USGS) Falcon Quadrangle on portions of Sections 27, 28, 32, 33, and 34 in Township 12 South, Range 65 West and the northwest portion of Section 4, Township 13 South, Range 65 West. The approximate coordinates of the project center are 39.964483 latitude and -104.664944 longitude (WGS 84 datum).

Permit Conditions: In accordance with the attached Colorado Department of Public Health and Environment Section 401 Water Quality Certification pages 1 through 6 of 6, dated February 4, 2016.

General Conditions:

1. The time limit for completing the work authorized ends on March 1, 2021. If you find that you need more time to complete the authorized activity, submit your request for a time extension to this office for consideration at least one month before the above date is reached.
2. You must maintain the activity authorized by this permit in good condition and in conformance with the terms and conditions of this permit. You are not relieved of this requirement if you abandon the permitted activity,

although you may make a good faith transfer to a third party in compliance with General Condition 4 below. Should you wish to cease to maintain the authorized activity or should you desire to abandon it without a good faith transfer, you must obtain a modification of this permit from this office, which may require restoration of the area.

3. If you discover any previously unknown historic or archeological remains while accomplishing the activity authorized by this permit, you must immediately notify this office of what you have found. We will initiate the Federal and state coordination required to determine if the remains warrant a recovery effort or if the site is eligible for listing in the National Register of Historic Places.
4. If you sell the property associated with this permit, you must obtain the signature of the new owner in the space provided and forward a copy of the permit to this office to validate the transfer of this authorization.
5. If a conditioned water quality certification has been issued for your project, you must comply with the conditions specified in the certification as special conditions to this permit. For your convenience, a copy of the certification is attached if it contains such conditions.
6. You must allow representatives from this office to inspect the authorized activity at any time deemed necessary to ensure that it is being or has been accomplished in accordance with the terms and conditions of your permit.

Special Conditions:

1. The permittee shall implement and abide by the compensatory mitigation plan titled Conceptual Mitigation Plan for Sterling Ranch Residential Development, prepared by CORE Consultants, Inc. on October 29, 2015 except where changes are necessary to comply with special conditions listed below. The permittee shall implement the mitigation plan concurrently with the construction of the project and complete the initial construction and plantings associated with the mitigation work prior to EITHER the initiation of operation OR completion of construction of the project. Completion of all elements of this mitigation plan is a requirement of this permit.
2. The permittee shall submit annual compensatory mitigation site monitoring reports to the Corps Albuquerque District Office by December 31st of each year, beginning in 2016, for a minimum of 3 years or until the Corps has determined that the mitigation performance standards and success criteria have been met. The monitoring reports shall be prepared in accordance with Corps Regulatory Guidance Letter 08-03 (Minimum Monitoring Requirements for Compensatory Mitigation Projects Involving the Restoration, Establishment, and/or Enhancement of Aquatic Resources) and current Corps Albuquerque District Mitigation Monitoring Guidelines available at <http://www.spa.usace.army.mil/Missions/RegulatoryProgramandPermits/Mitigation.aspx>. The mitigation monitoring reports shall at a minimum include the following:
 - a. Comparison of pre-construction site conditions to an as-built survey as submitted in accordance with Special Condition 4.
 - b. A map showing the wetland AND/OR Ordinary High Water Mark (OHWM) delineation, and aerial photos marked to show the wetland AND/OR OHWM boundary.
 - c. Photographs (minimum 5) from fixed photographic monitoring points with a location reference map and indicating camera orientation.

d. All data collected to document whether the mitigation site is achieving performance standards described in the mitigation plan and a narrative discussion of progress made toward meeting performance standards.

e. Fish and wildlife observations at the mitigation site.

f. Summary statement regarding the perceived success of the mitigation project and any potential problem areas. Suggestions and a timetable for corrections should be included if it is anticipated that project goals may not be met.

g. Date(s) of field inspection(s).

3. In order to assist the Corps in scheduling compliance inspections, the permittee shall notify the Corps Albuquerque District Office, in writing, at least 7 calendar days in advance of the initiation of mitigation construction AND no later than 15 calendar days following completion of construction activities.

4. Within 60 days after completion of construction of the mitigation project, the permittee shall submit as-built drawings and a description of the work conducted to the Corps Albuquerque District Office. The drawings shall include the following:

a. The Department of the Army Action Number.

b. A plan view drawing of the location of the authorized work footprint (as shown in permit drawings) with an overlay of the work as constructed in the same scale. The drawing should show all "earth disturbance," wetland impacts, structures, and the boundaries of any on-site and/or off-site mitigation or avoidance areas. The drawings shall contain, at a minimum, 1-foot OR greater topographic contours of the entire site.

c. Ground photographs of the completed work. The camera positions and view-angles of the ground photographs shall be identified on a map, aerial photograph, or project drawing.

d. A description of all deviations between the work as authorized by the permit and the work as constructed. Clearly indicate on the as-built drawings the location of any deviations.

5. Your responsibility to complete the required compensatory mitigation as set forth in Special Condition No. 1 will not be considered fulfilled until you have demonstrated mitigation success and have received written verification from the U.S. Army Corps of Engineers.

Further Information:

1. Congressional Authorities: You have been authorized to undertake the activity described above pursuant to:

() Section 10 of the Rivers and Harbors Act of 1899 (33 U.S.C. 403).

(X) Section 404 of the Clean Water Act (33 U.S.C. 1344).

() Section 103 of the Marine Protection, Research and Sanctuaries Act of 1972 (33 U.S.C. 1413).

2. Limits of this authorization.

a. This permit does not obviate the need to obtain other Federal, state, or local authorizations required by law.

b. This permit does not grant any property rights or exclusive privileges.

c. This permit does not authorize any injury to the property or rights of others.

d. This permit does not authorize interference with any existing or proposed Federal project.

3. Limits of Federal Liability. In issuing this permit, the Federal Government does not assume any liability for the following:

a. Damages to the permitted project or uses thereof as a result of other permitted or unpermitted activities or from natural causes.

b. Damages to the permitted project or uses thereof as a result of current or future activities undertaken by or on behalf of the United States in the public interest.

c. Damages to persons, property, or to other permitted or unpermitted activities or structures caused by the activity authorized by this permit.

d. Design or construction deficiencies associated with the permitted work.

e. Damage claims associated with any future modification, suspension, or revocation of this permit.

4. Reliance on Applicant's Data: The determination of this office that issuance of this permit is not contrary to the public interest was made in reliance on the information you provided.

5. Reevaluation of Permit Decision. This office may reevaluate its decision on this permit at any time the circumstances warrant. Circumstances that could require a reevaluation include, but are not limited to, the following:

a. You fail to comply with the terms and conditions of this permit.

b. The information provided by you in support of your permit application proves to have been false, incomplete, or inaccurate (See 4 above).

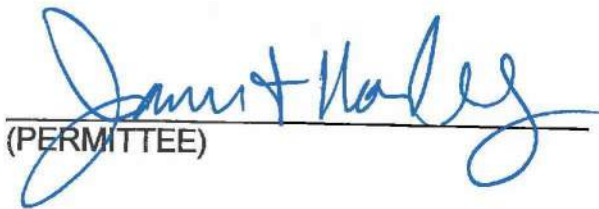
c. Significant new information surfaces which this office did not consider in reaching the original public interest decision.

Such a reevaluation may result in a determination that it is appropriate to use the suspension, modification, and revocation procedures contained in 33 CFR 325.7 or enforcement procedures such as those contained in 33 CFR 326.4 and 326.5. The referenced enforcement procedures provide for the issuance of an administrative order requiring you to comply with the terms and conditions of your permit and for the initiation of legal action where appropriate. You will be required to pay for any corrective measures ordered by this office, and if you fail to comply with such directive, this office may in certain situations (such as those specified in 33 CFR 209.170) accomplish the corrective measures by contract or otherwise and bill you for the cost.

6. Extensions. General condition 1 establishes a time limit for the completion of the activity authorized by this

permit. Unless there are circumstances requiring either a prompt completion of the authorized activity or a reevaluation of the public interest decision, the Corps will normally give favorable consideration to a request for an extension of this time limit.

Your signature below, as permittee, indicates that you accept and agree to comply with the terms and conditions of this permit.



(PERMITTEE)

2/23/2016

(DATE)

This permit becomes effective when the Federal official, designated to act for the Secretary of the Army, has signed below.



(FOR THE DISTRICT ENGINEER)

29 Feb 2016

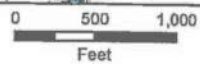
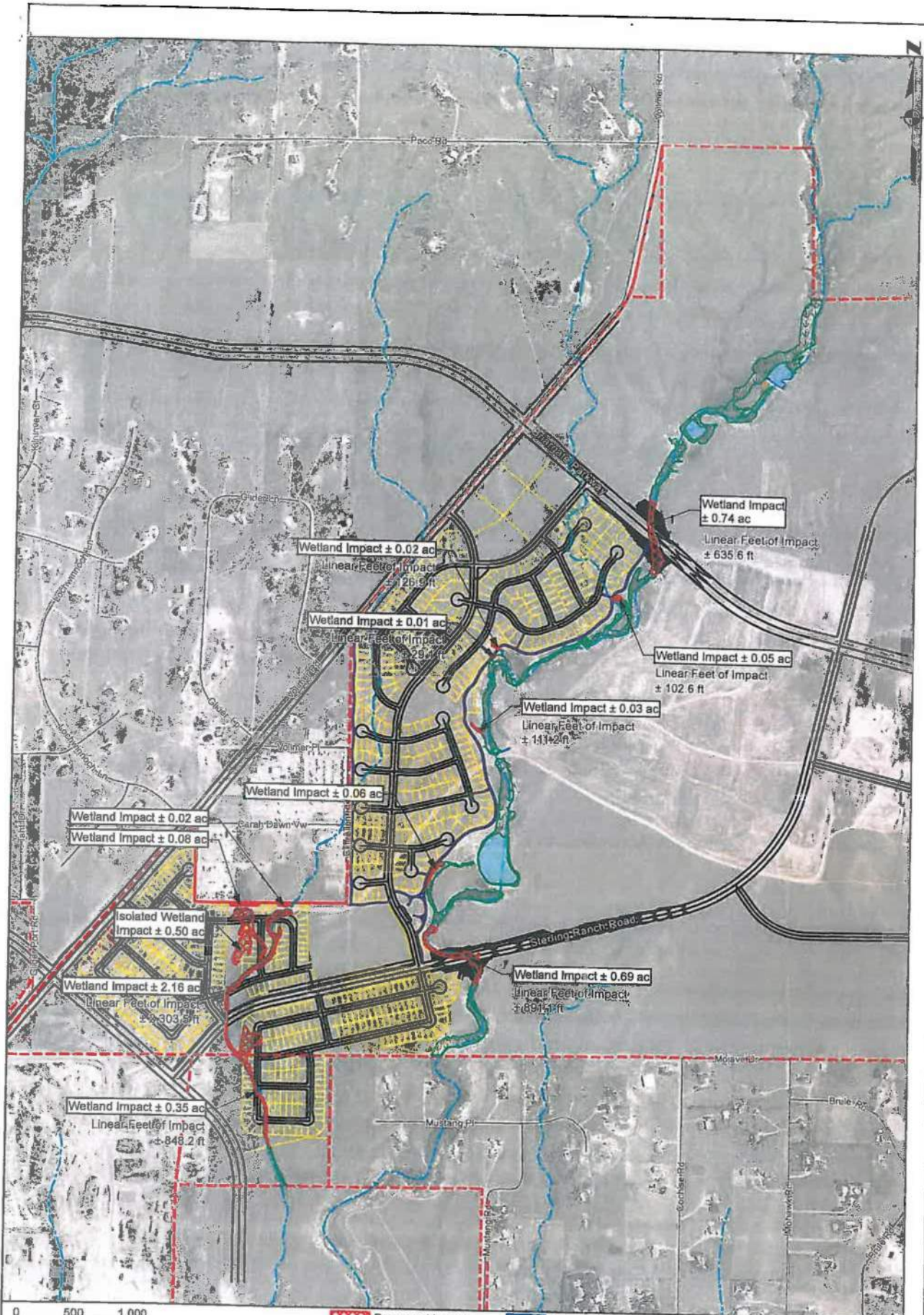
(DATE)

Patrick J. Dagon
Lieutenant Colonel, U.S. Army
District Commander

When the structures or work authorized by this permit are still in existence at the time the property is transferred, the terms and conditions of this permit will continue to be binding on the new owner(s) of the property. To validate the transfer of this permit and the associated liabilities associated with compliance with its terms and conditions, have the transferee sign and date below.

(TRANSFERREE)

(DATE)



- Permanent Impact
- Existing Wetland
- Pond
- Proposed Road
- Proposed Contour
- Existing Isolated Wetland
- Dry Wash
- Parcel Boundary
- NHD Watercourse
- Proposed Trail
- Proposed Lot Lines



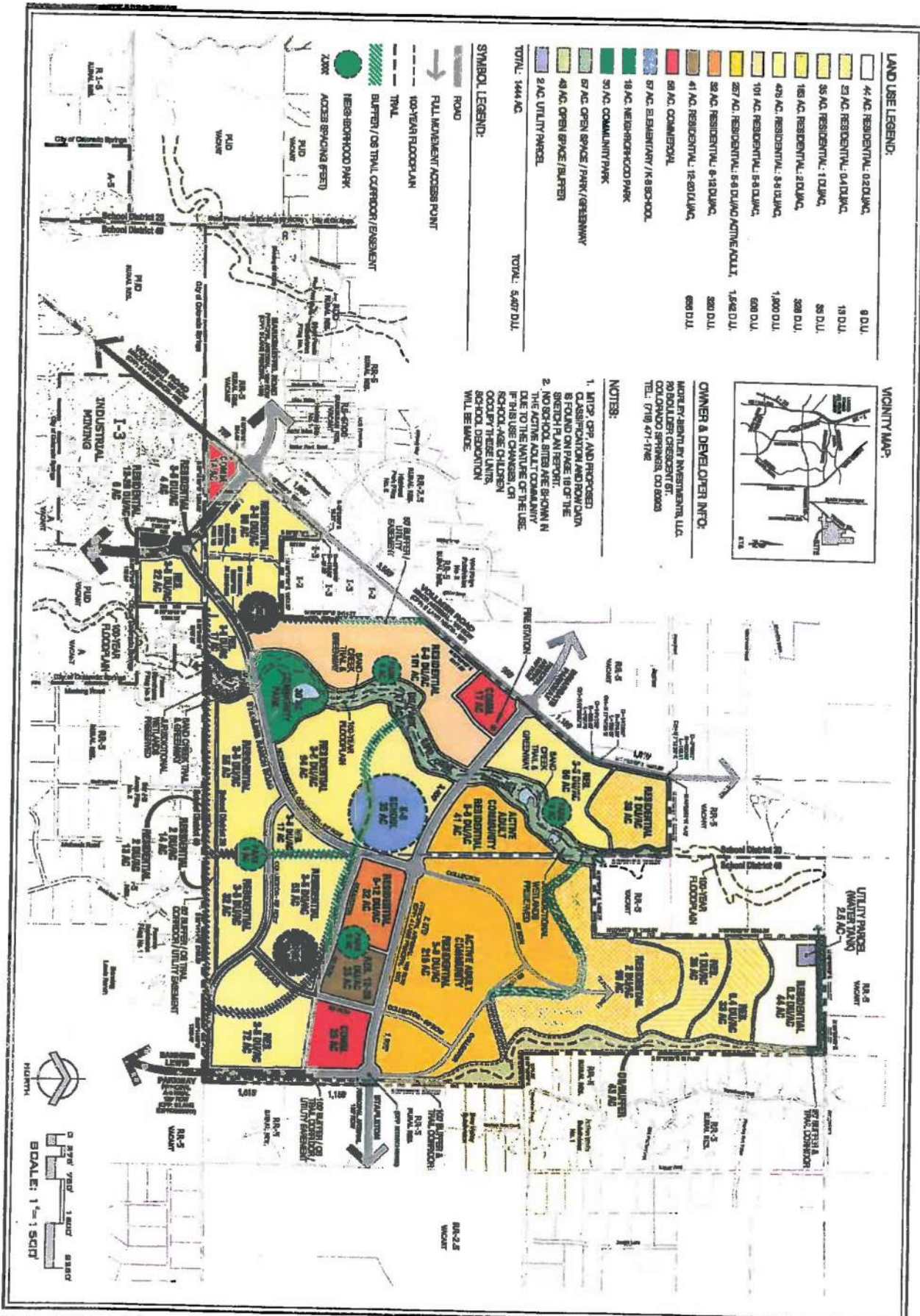
CIVIL ENGINEERING
DEVELOPMENT CONSULTING
LAND SURVEYING
303.703.4444
1950 W. Littleton Blvd., Ste. 109
Littleton, CO 80120

Sterling Ranch

Wetland Impact Location Map

El Paso County, Colorado

Date: 10/13/2015
Project #: 15-001



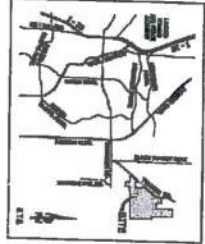
LAND USE LEGEND:

44 AC RESIDENTIAL 0.2 DU/AC	9 DU
53 AC RESIDENTIAL 0.4 DU/AC	19 DU
55 AC RESIDENTIAL 1.0 DU/AC	55 DU
155 AC RESIDENTIAL 2.0 DU/AC	308 DU
478 AC RESIDENTIAL 3.4 DU/AC	1,600 DU
101 AC RESIDENTIAL 5.0 DU/AC	600 DU
257 AC RESIDENTIAL 5.9 DU/AC ACTIVE ADULT	1,542 DU
52 AC RESIDENTIAL 8.18 DU/AC	580 DU
41 AC RESIDENTIAL 12.0 DU/AC	690 DU
59 AC COMMERCIAL	
57 AC ELEMENTARY / K-8 SCHOOL	
18 AC NEIGHBORHOOD PARK	
30 AC COMMUNITY PARK	
57 AC OPEN SPACE / PARK / GREENWAY	
49 AC OPEN SPACE / BUFFER	
2 AC UTILITY PARCEL	
TOTAL: 1444 AC	TOTAL: 5,697 DU

SYMBOL LEGEND:

- ROAD
- TRAIL
- 100-YEAR FLOODPLAIN
- TRAIL
- BUFFER / OS TRAIL, CARTRIDGE / EASEMENT
- NEIGHBORHOOD PARK
- ACCESS BRACING (FERT)
- ZONE

VICINITY MAP:



OWNER & DEVELOPER INFO:

MORE BY BENTLEY INVESTMENTS, LLC
 20 DOLLAR DRIVE, SUITE 617
 COLORADO SPRINGS, CO 80903
 TEL: 719 471-1782

NOTES:

1. IMP2, GRP, AND PROPOSED CLASSIFICATION AND ROW DATA SHOWN ON PAGE 18 OF THE SKETCH PLAN REPORT.
2. NO SCHOOL SITES ARE SHOWN IN DUE TO THE NATURE OF THE USE. IF THIS USE CHANGES, OR OCCUPY THESE UNITS, SCHOOL CHECKOUT WILL BE NEEDED.



**Sterling Ranch
SKETCH PLAN**

MORLEY-BENTLEY INVESTMENTS, LLC.

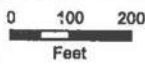
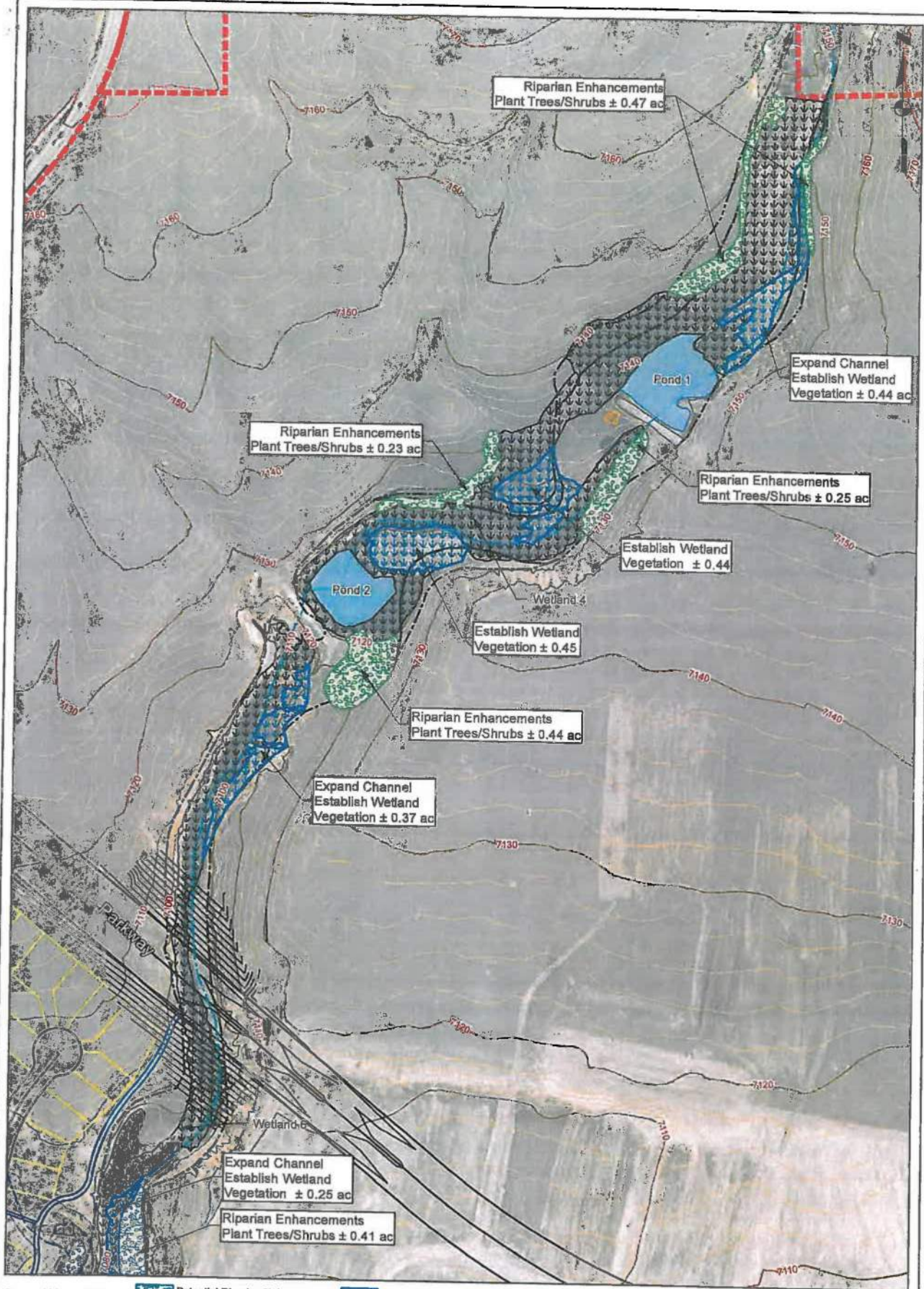
**URBAN DESIGN
LAND PLANNING
& LANDSCAPE
ARCHITECTURE**

200 South Union Avenue
 Colorado Springs, CO 80903
 TEL: 719.576.1100

FIGURE NO. **8**

DATE: 05/15/2008

NS 30



- Potential Riparian Enhancement
- Potential Wetland Mitigation Area
- Existing Wetland
- Pond
- Dry Wash
- Existing Isolated Wetland

- NHD Watercourse
- 100-year Floodplain
- 500-year Floodplain
- Proposed Road
- Proposed Trail
- Proposed Lot Lines
- Proposed Contour

- Index Contour
- Intermediate Contour
- Parcel Boundary



CIVIL ENGINEERING
DEVELOPMENT CONSULTING
LAND SURVEYING
303.703.4444
1950 W. Littleton Blvd., Ste. 109
Littleton, CO 80120

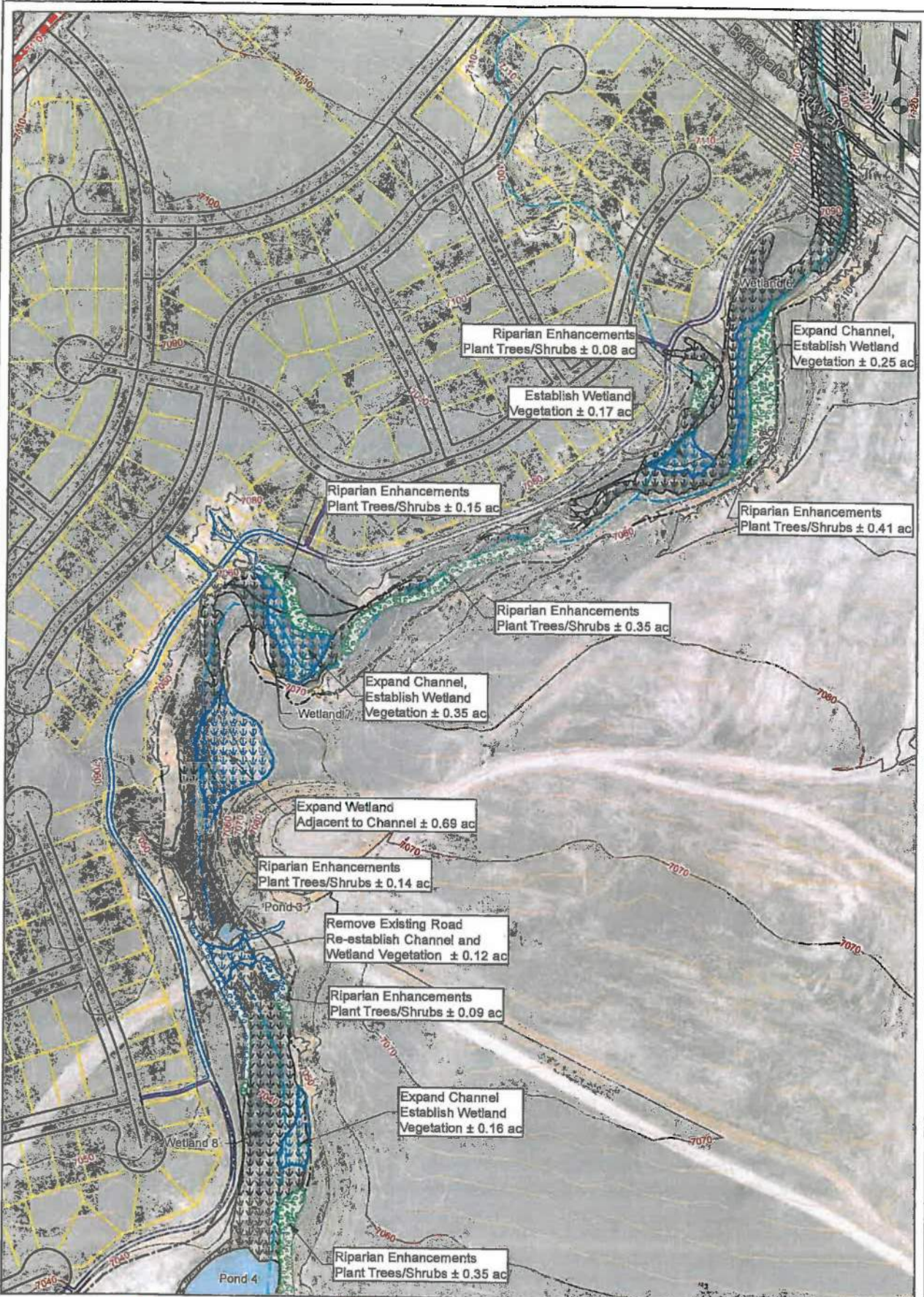
Sterling Ranch

Channel Improvements & Mitigation Plan

Sheet 1

El Paso County, Colorado

Date: 10/13/2015
Project #: 15-001



Riparian Enhancements
Plant Trees/Shrubs ± 0.08 ac

Expand Channel,
Establish Wetland
Vegetation ± 0.25 ac

Establish Wetland
Vegetation ± 0.17 ac

Riparian Enhancements
Plant Trees/Shrubs ± 0.15 ac

Riparian Enhancements
Plant Trees/Shrubs ± 0.41 ac

Riparian Enhancements
Plant Trees/Shrubs ± 0.35 ac

Expand Channel,
Establish Wetland
Vegetation ± 0.35 ac

Expand Wetland
Adjacent to Channel ± 0.69 ac

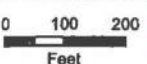
Riparian Enhancements
Plant Trees/Shrubs ± 0.14 ac

Remove Existing Road
Re-establish Channel and
Wetland Vegetation ± 0.12 ac

Riparian Enhancements
Plant Trees/Shrubs ± 0.09 ac

Expand Channel
Establish Wetland
Vegetation ± 0.16 ac

Riparian Enhancements
Plant Trees/Shrubs ± 0.35 ac



- Potential Riparian Enhancement
- Potential Wetland Mitigation Area
- Existing Wetland
- Pond
- Dry Wash
- Existing Isolated Wetland

- NHD Watercourse
- 100-year Floodplain
- 500-year Floodplain
- Proposed Road
- Proposed Trail
- Proposed Lot Lines
- Proposed Contour

- Index Contour
- Intermediate Contour
- Parcel Boundary



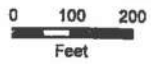
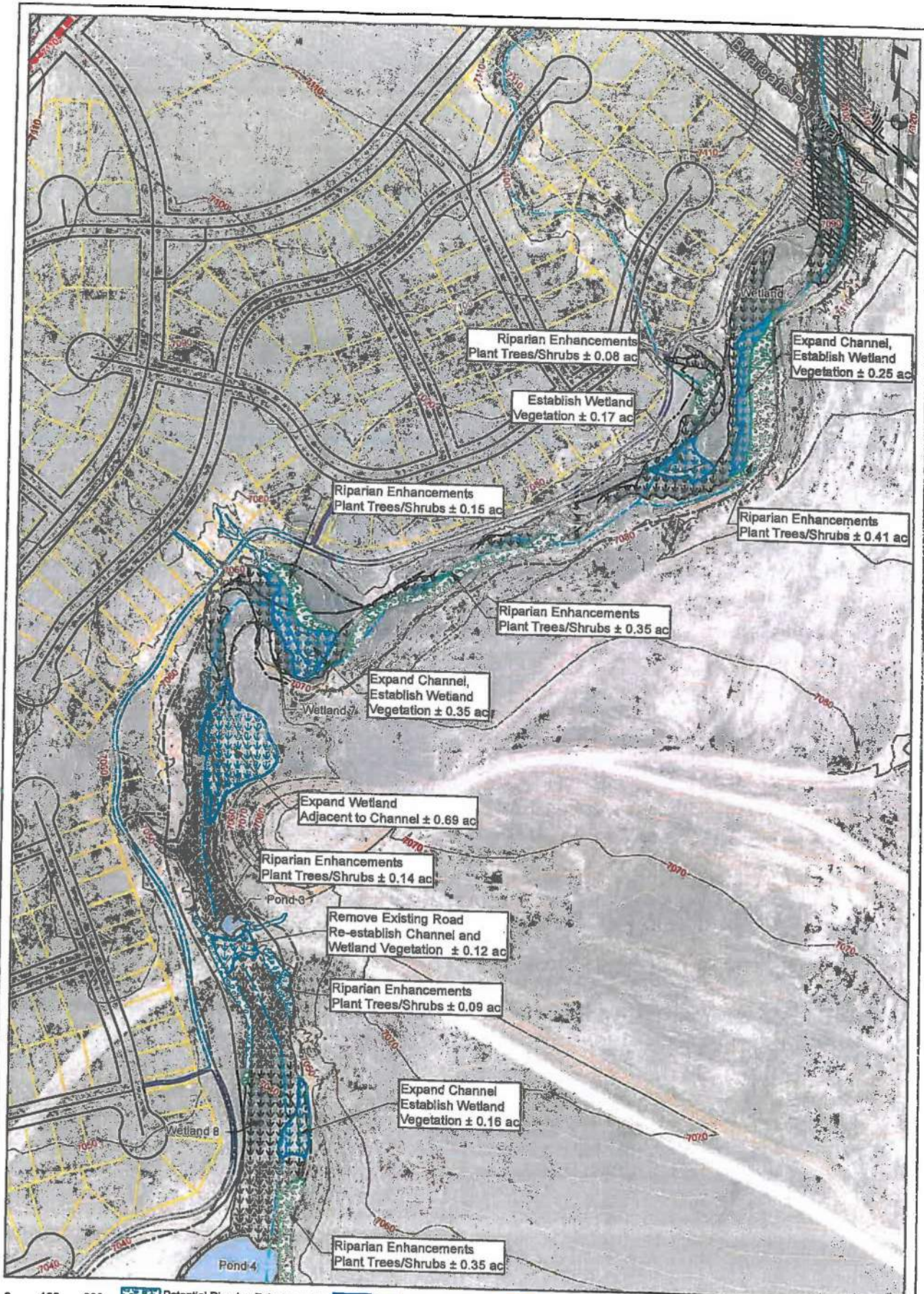
CORE
CONSULTANTS

CIVIL ENGINEERING
DEVELOPMENT CONSULTING
LAND SURVEYING
303.703.4444
1950 W. Littleton Blvd., Ste. 109
Littleton, CO 80120

Sterling Ranch
Channel Improvements & Mitigation Plan
Sheet 2

El Paso County, Colorado

Date: 10/13/2015
Project #: 15-001



- Potential Riparian Enhancement
- Potential Wetland Mitigation Area
- Existing Wetland
- Pond
- Dry Wash
- Existing Isolated Wetland
- NHD Watercourse
- 100-year Floodplain
- 500-year Floodplain
- Proposed Road
- Proposed Trail
- Proposed Lot Lines
- Proposed Contour
- Index Contour
- Intermediate Contour
- Parcel Boundary



CIVIL ENGINEERING
 DEVELOPMENT CONSULTING
 LAND SURVEYING
 303.703.4444
 981 W. Litchton Blvd., Ste. 109
 Litchton, CO 80120

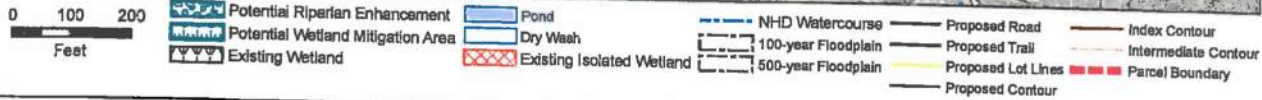
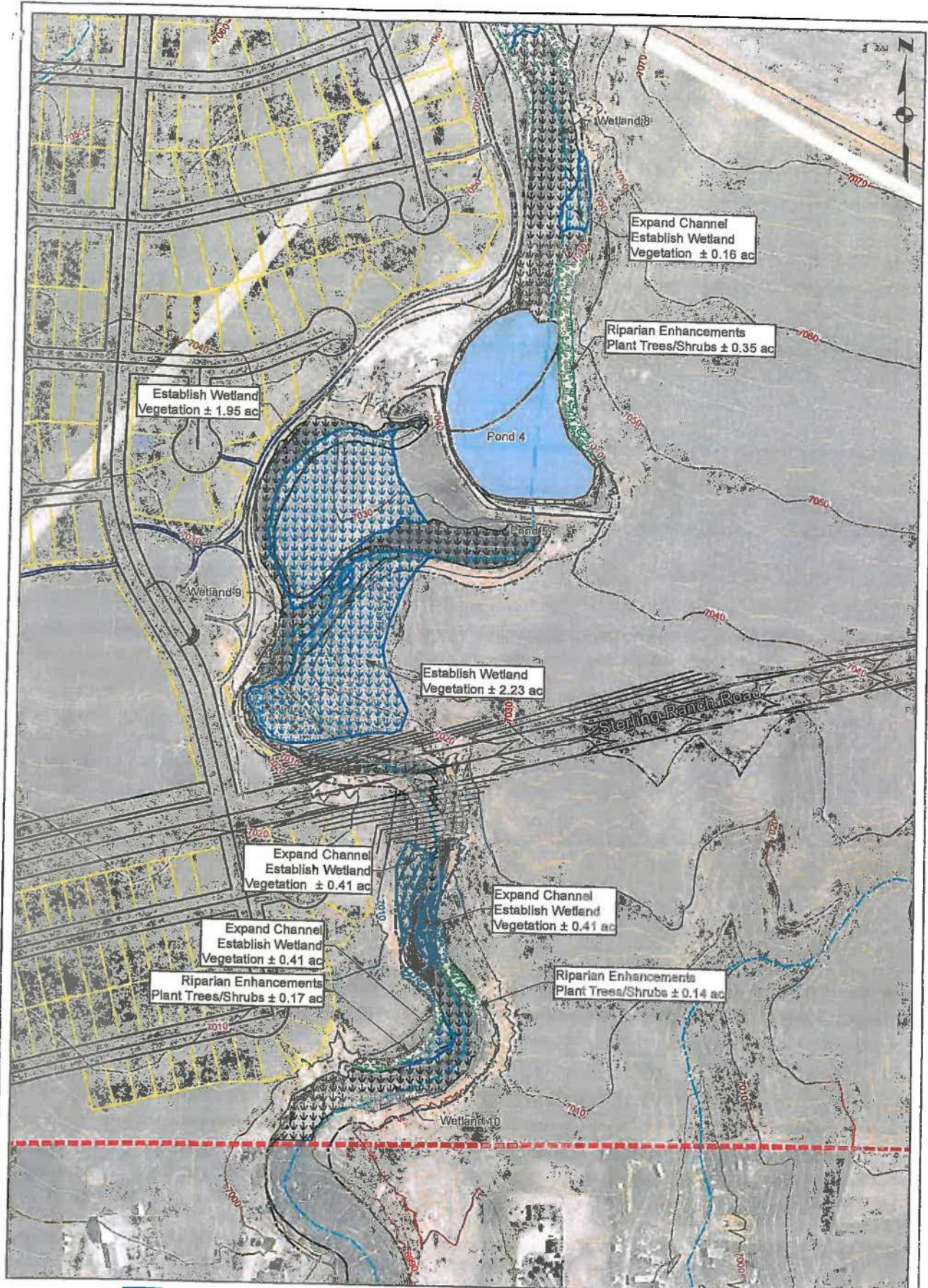
Sterling Ranch

Channel Improvements & Mitigation Plan

Sheet 2

El Paso County, Colorado

Date: 10/13/2015
 Project #: 15-001



CORE CONSULTANTS
 CIVIL ENGINEERING
 DEVELOPMENT CONSULTING
 LAND SURVEYING
 303.703.4444
 1950 W. Johnston Blvd., Ste. 109
 Littleton, CO 80120

Sterling Ranch
Channel Improvements & Mitigation Plan
Sheet 3
 El Paso County, Colorado

Date: 10/13/2015
 Project #: 15-001



**US Army Corps
of Engineers®**
Albuquerque District
Project

PUBLIC NOTICE

Permit Application No.: SPA-2015-00428-SCO
Project Name: Sterling Ranch Residential
Development Project
Applicant: SR Land, LLC
Waterway: Sand Creek
Public Notice Date: December 9, 2015
Comment Due Date: January 9, 2016
USACE Contact Phone: (719) 543-8102

Reply To:

Southern Colorado Regulatory Office
US Army Corps of Engineers, Albuquerque District
200 South Santa Fe Avenue, Suite 301
Pueblo, Colorado 81003-4270

PERMIT APPLICATION UNDER SECTION 404 OF THE CLEAN WATER ACT (33 USC 1344)

Summary of Proposed Project: We are requesting public comment on the following project before the above comment due date. The application is for a permit to place dredged/fill material into waters of the US associated with the construction of a residential development in Sand Creek and one tributary located near Falcon, El Paso County, Colorado. Details of the proposed project are provided below.

Name of Applicant: SR Land, LLC, 20 Boulder Crescent, Suite 201, Colorado Springs, CO 80903.

Location: The project is located on 1,443.7 acres northeast of the intersection of Black Forest Road and Woodmen Road in unincorporated El Paso County, Colorado. The property is on the United States Geological Survey (USGS) Falcon Quadrangle on portions of Sections 27, 28, 32, 33, and 34 in Township 12 South, Range 65 West and the northwest portion of Section 4, Township 13 South, Range 65 West. The approximate coordinates of the project center are 39.964483 latitude and -104.664944 longitude (WGS 84 datum).

Description of Work: The Sterling Ranch Residential Development Project includes installation of attendant utilities, channel improvements to the main stem of Sand Creek, three off-line stormwater detention ponds, development of two permanent residential access roads and associated culverts, and development of residential units. Permanent impacts to waters of the US will result from construction of the residential access roads and associated culverts, and construction of residential units in the unnamed western

NEWS RELEASE

CESPA-RD-SC
SPA-2015-00428-SCO

tributary to Sand Creek. Total cumulative permanent impacts to waters of the US from the proposed project will total 4.21 acres and 5,048 linear feet within the main channel of Sand Creek and its western tributary.

Purpose and Need: The project purpose is twofold: (1) the development of a medium sized single-family residential development and associated facilities and infrastructure on multiple parcels of land which will be incorporated in the City of Colorado Springs; and (2) creek channel improvements for hydrology and stormwater capability through control of flood water conveyance, establishing improved grade control, and facilitating improved water quality.

Likewise, the project need is twofold: (1) to satisfy market demand for additional housing in the City of Colorado Springs, El Paso County, based on recent County and City economic development reports; and (2) to address a County-wide high-priority stormwater management project while simultaneously managing an increase in stormwater runoff to Sand Creek via channel improvements.

Mitigation: Mitigation for impacts to wetlands and waters of the US on the Sterling Ranch project site is proposed within the Middle Fountain Creek watershed and includes creation of 4.21 acres of emergent wetlands located within and adjacent to the main channel of Sand Creek, with improvements throughout to allow for construction and reestablishment of wetlands.

Plans and Data: Drawings showing the location of the work site and other data are enclosed with this notice. If additional information is desired, it may be obtained from the applicant, or from:

Christopher M. Grosso
U.S. Army Corps of Engineers
Southern Colorado Regulatory Office
200 South Santa Fe Avenue, Suite 301
Pueblo, Colorado 81003-4270
(719) 543-8102
Fax No. (719) 543-9475
E-mail: Christopher.M.Grosso@usace.army.mil

Statement of Findings: The Corps consulted district files and records, the latest version of the National Register of Historic Places (NRHP), and state records of NRHP-eligible and potentially eligible historic properties to determine if there are any historic properties that may be affected by the proposed undertaking. Based on this initial information, the Corps has made a preliminary determination that the proposed project will not affect any historic properties that meet the criteria for inclusion in the NRHP.

The Corps has reviewed the U.S. Fish and Wildlife Service's latest published version of Federally-listed endangered and threatened species located in El Paso County, Colorado to determine if any listed species or their critical habitat may occur in the proposed project area. The Corps has made a preliminary determination that the

NEWS RELEASE

CESPA-RD-SC
SPA-2015-00428-SCO

proposed project will not affect any Federally-listed endangered or threatened species or their critical habitat that are protected by the Endangered Species Act.

The applicant is required to obtain water quality certification, under Section 401 of the Clean Water Act, from the Colorado Department of Public Health and Environment. Section 401 requires that any applicant for an individual Section 404 permit provide proof of water quality certification to the Corps of Engineers prior to permit issuance.

In accordance with environmental procedures and documentation required by the National Environmental Policy Act of 1969, an environmental assessment will be prepared for this project. Upon completion, the assessment may be seen at the U.S. Army Corps of Engineers, Albuquerque District Office, at the address given above.

Comments: Any comments concerning this project should be received by the District Engineer no later than January 9, 2016. Comments received after the end of the Public Notice comment period will not be considered. However, more time may be given if a request, with a valid reason, is received prior to the suspense date. The Corps of Engineers is soliciting comments from the public; federal, state, and local agencies and officials; Indian tribes; and other interested parties in order to consider and evaluate the impacts of this proposed activity. Any comments received will be considered by the Corps of Engineers to determine whether to issue, modify, condition, or deny a permit for this proposal. To make this decision, comments are used to assess impacts on endangered species, historic properties, water quality, general environmental effects, and the other public interest factors listed below. Comments are used in the preparation of an Environmental Assessment and/or an Environmental Impact Statement pursuant to the National Environmental Policy Act. Comments are also used to determine the need for a public hearing and to determine the overall public interest of the proposed activity.

The decision whether to issue a permit will be based on an evaluation of the probable impact, including cumulative impacts, of the proposed activity on the public interest. That decision will reflect the national concern for both protection and utilization of important resources. The benefit which reasonably may be expected to accrue from the proposal must be balanced against its reasonably foreseeable detriments. The evaluation of the impact of this activity will include application of the guidelines promulgated by the Administrator, EPA, under authority of Section 404(b) of the Clean Water Act. All factors relevant to the proposal and the cumulative effects will be considered; among these are conservation, economics, aesthetics, general environmental concerns, wetlands, historic properties, fish and wildlife values, flood hazards, floodplain values, land use, navigation, shore erosion and accretion, recreation, water supply and conservation, water quality, energy needs, safety, food and fiber production, mineral needs, considerations of property ownership, and, in general, the needs and welfare of the people.

If the District Engineer determines that the project complies with the 404(b) (1) guidelines, he will grant the permit unless issuance would be contrary to the public interest.

NEWS RELEASE

CESPA-RD-SC
SPA-2015-00428-SCO

Any person may request a public hearing. The request must be submitted, in writing, to the District Engineer within 21 days of the date of this notice and must clearly set forth the reasons for holding a public hearing.

Patrick J. Dagon
Lieutenant Colonel, U.S. Army
District Commander

Enclosures:

Sheet 1 of 2 – Wetland Location Map

Sheet 2 of 2 – Wetland Impact Location Map

NEWS RELEASE

CESPA-RD-SC
SPA-2015-00428-SCO



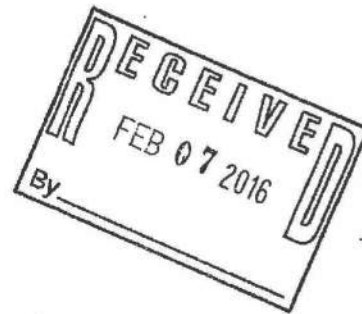
COLORADO

Department of Public
Health & Environment

Dedicated to protecting and improving the health and environment of the people of Colorado

February 4, 2016

SR Land, LLC
Attn: Jim Morley
20 Boulder Crescent, Ste. 201
Colorado Springs, CO 80903



Re: Section 401 Water Quality Certification
Colorado 401 Certification No.: 4378
US Corps of Engineers 404 Permit No.: SPA-2015-00428-SCO
Description: Construction of a residential development
Location: Latitude: 38.962389, Longitude -104.675084 in El Paso County,
Colorado
Watercourse: Sand Creek and tributaries, Arkansas River Basin, Segment
COARFO04 of Fountain Creek Sub-basin
Designation: Use Protected

Dear Mr. Morley:

The Colorado Department of Public Health and Environment (CDPHE), Water Quality Control Division (Division) has completed its review of the subject Clean Water Act (CWA) Section 404 Permit Application, and our preliminary determination with the issuance of the State of Colorado 401 Certification Public Notice (5 CCR 1002-82.5(B)). This segment is designated "Use Protected" thus no antidegradation review is required (5 CCR 1002-31.8(2)).

This letter shall serve as official notification that the Division is issuing "Regular Certification" in accordance with 5 CCR 1002-82.5(A)(2).

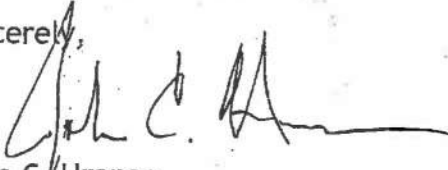
The 401 Certification issued by the Division pursuant to 5 CCR 1002-82.3(C) shall apply to both the construction and operation of the project for which a federal license or permit is required, and shall apply to the water quality impacts associated with the project. This certification does not constitute a relinquishment of the Division's authority as defined in the Colorado Water Quality Control Act, nor does it fulfill or waive any other local, state, or federal regulations.



February 4, 2016
SR Land, LLC
Page 2

If you have any questions or need additional information, please contact me at
(303) 692-3586.

Sincerely,

A handwritten signature in black ink, appearing to read "John C. Hranac". The signature is fluid and cursive, with a long horizontal stroke at the end.

John C. Hranac
Water Quality Assessor
Environmental Data Unit
Water Quality Control Division

Attachment

cc: US Army Corps of Engineers, Southern Colorado Regulatory Office
Applicant's Agent, Mr. Chris Haas - CORE Consultants, Inc.
File

Certification Requirements:

- (A) The following requirements shall apply to all certifications:
- (1) Authorized representatives from the Division shall be permitted to enter upon the site where the construction activity or operation of the project is taking place for purposes of inspection of compliance with BMPs and certification conditions.
 - (2) In the event of any changes in control or ownership of facilities where the construction activity or operation of the project is taking place, the successor shall be notified in writing by his predecessor of the existence of the BMPs and certification conditions. A copy of such notification shall be provided to the Division.
 - (3) If the permittee discovers that certification conditions are not being implemented as designed, or if there is an exceedance of water quality standards despite compliance with the certification conditions and there is reason to believe that the exceedance is caused, in whole or in part, by the project, the permittee shall verbally notify the Division of such failure or exceedance within two (2) working days of becoming aware of the same. Within ten (10) working days of such notification, the permittee shall provide to the Division, in writing, the following:
 - (a) In the case of the failure to comply with the certification conditions, a description of (i) the nature of such failure, (ii) any reasons for such failure, (iii) the period of non-compliance, and (iv) the measures to be taken to correct such failure to comply; and
 - (b) In the case of the exceedance of a water quality standard, (i) an explanation, to the extent known after reasonable investigation, of the relationship between the project and the exceedance, (ii) the identity of any other known contributions to the exceedance, and (iii) a proposal to modify the certification conditions so as to remedy the contribution of the project to the exceedance.
 - (4) Any anticipated change in discharge location and/or quantities associated with the project which may result in water quality impacts not considered in the original certification must be reported to the Division by submission of a written notice by the permittee prior to the change. If the change is determined to be significant, the permittee will be notified within ten days, and the change will be acknowledged and approved or disapproved.
 - (5) Any diversion from or bypass of facilities necessary to maintain compliance with the terms and conditions herein is prohibited, except (i) where unavoidable to prevent loss of life or severe property damage, or (ii) where excessive storm drainage or runoff would damage any facilities necessary for compliance with limitations and prohibitions herein. The Division shall be notified immediately in writing of each such diversion or bypass.

- (6) At least fifteen days prior to commencement of a project in a watercourse, which the Division has certified, or conditionally certified, the permittee shall notify the following:
 - (a) Applicable local health departments;
 - (b) Owners or operators of municipal and domestic water treatment intakes which are located within twenty miles downstream from the site of the project; and
 - (c) Owners or operators of other intakes or diversions which are located within five miles downstream from the site of the project.

The permittee shall maintain a list of the persons and entities notified, including the date and form of notification.

- (7) Immediately upon discovery of any spill or other discharge to waters of the state not authorized by the applicable license or permit, the permittee shall notify the following:
 - (a) Applicable local health departments;
 - (b) Owners or operators of municipal and domestic water treatment intakes which are located within twenty miles downstream from the site of the project; and
 - (c) Owners or operators of other intakes or diversions which are located within five miles downstream from the site of the project.

The permittee shall maintain a list of the persons and entities notified, including the date and form of notification.

- (8) Construction operations within watercourses and water bodies shall be restricted to only those project areas specified in the federal license or permit.
- (9) No construction equipment shall be operated below the existing water surface unless specifically authorized by the 401 certification issued by the Division.
- (10) Work should be carried out diligently and completed as soon as practicable. To the maximum extent practicable, discharges of dredged or fill material shall be restricted to those periods when impacts to designated uses are minimal.
- (11) The project shall incorporate provisions for operation, maintenance, and replacement of BMPs to assure compliance with the conditions identified in this section, and any other conditions placed in the permit or certification. All such provisions shall be identified and compiled in an operation and maintenance plan which will be retained by the project owner and available for inspection within a reasonable timeframe upon request by any authorized representative of the Division.

- (12) The use of chemicals during construction and operation shall be in accordance with the manufacturers' specifications. There shall be no excess application and introduction of chemicals into state waters.
 - (13) All solids, sludges, dredged or stockpiled materials and all fuels, lubricants, or other toxic materials shall be controlled in a manner so as to prevent such materials from entering state waters.
 - (14) All seed, mulching material and straw used in the project shall be state-certified weed-free.
 - (15) Discharges of dredged or fill material in excess of that necessary to complete the project are not permitted.
 - (16) Discharges to state waters not identified in the license or permit and not certified in accordance therewith are not allowed, subject to the terms of any 401 certification.
 - (17) Except as otherwise provided pursuant to subsection 82.7(C), no discharge shall be allowed which causes non-attainment of a narrative water quality standard identified in the Basic Standards and Methodologies for Surface Waters, Regulation #31 (5 CCR 1002-31), including, but not limited to discharges of substances in amounts, concentrations or combinations which:
 - (a) Can settle to form bottom deposits detrimental to beneficial uses; or
 - (b) Form floating debris, scum, or other surface materials sufficient to harm existing beneficial uses; or
 - (c) Produce color, odor, or other conditions in such a degree as to create a nuisance or harm existing beneficial uses or impart any undesirable taste to significant edible aquatic species, or to the water; or
 - (d) Are harmful to the beneficial uses or toxic to humans, animals, plants, or aquatic life; or
 - (e) Produce a predominance of undesirable aquatic life; or
 - (f) Cause a film on the surface or produce a deposit on shorelines.
- (B) Best Management Practices:
- (1) Best management practices are required for all projects for which Division certification is issued except for section 402 permits. Project applicants must select BMPs to be employed in their project. A listing and description of best management practices is located in Appendix I of Regulation No. 82: 401 Certification Regulation 5 CCR 1002-82.
 - (2) All requests for certifications which require BMPs shall include a map of project location, a site plan, and a listing of the selected BMPs chosen for the project. At a minimum, each project must provide for the following:

- (a) Permanent erosion and sediment control measures that shall be installed at the earliest practicable time consistent with good construction practices and that shall be maintained and replaced as necessary throughout the life of the project.
- (b) Temporary erosion and sediment control measures that shall be coordinated with permanent measures to assure economical, effective, and continuous control throughout the construction phase and during the operation of the project.

SECTION 404 PERMITTING (2022)



DEPARTMENT OF THE ARMY
U.S. ARMY CORPS OF ENGINEERS, ALBUQUERQUE DISTRICT
SOUTHERN COLORADO REGULATORY BRANCH
201 WEST 8TH STREET, SUITE 350
PUEBLO, COLORADO 81003-3040

September 16, 2022

MEMORANDUM FOR RECORD

SUBJECT: Supplemental Decision Document – Sterling Ranch Residential Development Project (Action No. SPA-2015-00428)

1. **Project Name:** Sterling Ranch Residential Development (Project)

2. **Applicant name and address:**

Elite Properties of America, Inc. dba: Classic Companies
Attn: Loren J. Moreland, Vice President/Project Manager
2138 Flying Horse Club Drive
Colorado Springs, CO 80921

3. **Project Location:** The approximately 1,443.7-acre project site is located along Sand Creek in the City of Colorado Springs, El Paso County, Colorado. The approximate center coordinates for the project are Latitude 38.964986°, Longitude -104.664928°.

4. **Project description, background, and modification request:**

4.1. **Original project description.** As stated in the Department of the Army (DA) permit dated February 29, 2016, the Sterling Ranch Residential Development Project includes installation of attendant utilities, channel improvements to the main stem of Sand Creek, three off-line stormwater detention ponds, development of two permanent residential access roads and associated culverts, and development of residential units. Permanent impacts to waters of the United States (WOTUS) will result from construction of the residential access roads and associated culverts, and construction of residential units in the unnamed western tributary to Sand Creek. Total cumulative permanent impacts from the discharge of fill material into WOTUS from the proposed project will total 4.21 acres and 5,048 linear feet within the main channel of Sand Creek and its western tributary. The project will be constructed in accordance with the attached drawings, entitled, "Sterling Ranch Wetland Impact Location Map, Sterling Ranch Sketch Plan figure number 8, and Sterling Ranch Channel Improvements & Mitigation Plan sheets 1 through 3 dated October 13, 2015, in Sand Creek, El Paso County, Colorado, Application by Jim Morley, Application No. SPA-2015-00428-SCO".

4.2. **Background.** On August 5, 2020, the permittee requested a permit modification from the U.S. Army Corps of Engineers (Corps) for the Project. The stated need for the modifications were to provide additional attendant features (access and utility) that were unintentionally omitted from the original permit, address changes in stormwater drainage requirements, and provide additional time to complete the construction. The requested modification specifically included: (1) modification of General Condition 1 to extend the time limit for completing the construction; (2) realignment and reshaping of approximately 7,900 linear feet of Sand Creek stream channel for the construction of a low flow channel; (3) bank armoring and grade control for stream bank stabilization; and (4) construction of a

utility line and two road crossings in Sand Creek that had been constructed without authorization.

The Corps reviewed the proposed changes and determined: (1) the stream channel realignment/reshaping, bank armoring, and grade control (items 3 and 4 above) were not minor changes and, therefore, would require a new public notice; and (2) a stream condition assessment would be required to document whether these activities would result in the loss of stream functions.

In response to the Corps' request for a stream condition assessment, the permittee applied the Colorado Stream Quantification Tool (CSQT) and found the proposed stream work (items 2 and 3 above) would result in the loss of approximately 2,664.2 stream functional feet (FF). The permittee redesigned the project to reduce the impacts, reapplied the CSQT, and found the proposed stream work, as revised, would result in the loss of approximately 1,046.6 FF. Due to the amount of compensatory mitigation that would be required for the proposed stream stabilization activities and after extensive consultation with the El Paso County, the permittee reassessed the need to develop the areas east of Sand Creek in order to accomplish the overall purpose of the project and determined the construction in these areas, as originally proposed, was no longer feasible given the new constraints. The permittee modified the project to remove construction east of Sand Creek from the project design, thereby eliminating the need for additional stormwater management facilities in the stream.

During the review of the requested changes, the Corps determined the work that had been conducted in Sand Creek for the utility line and two road crossings (item 4 above) were not part of the permitted design and involved the discharge of dredged/fill material into WOTUS. Therefore, these activities constituted a violation of Section 301(a) of the Clean Water Act (CWA) since a DA permit was not obtained pursuant to CWA Section 404. Furthermore, the Corps determined the permitted work was not in compliance with the terms and conditions of the permit since the approved mitigation plan was implemented concurrently with the construction of the project in accordance with Special Condition 1, which stated:

1. The permittee shall implement and abide by the compensatory mitigation plan titled Conceptual Mitigation Plan for Sterling Ranch Residential Development, prepared by CORE Consultants, Inc. on October 29, 2015, except where changes are necessary to comply with special conditions below. The permittee shall implement the mitigation plan concurrently with the construction of the project and complete the initial construction and plantings associated with the mitigation work prior to EITHER the initiation of operations OR completion of construction of the project. Completion of all elements of this mitigation plan is a requirement of this permit.

On September 28, 2021, the Corps issued a notice of violation and permit non-compliance and requested additional information to determine the appropriate course of action to resolve these matters.

On October 5, 2021, the permittee submitted the requested information.

On October 20, 2021, the Corps sent an email informing the permittee of its decision to resolve the violation and non-compliance matters by modifying the permit in accordance with 33 CFR 325.7(b).

On November 19, 2021, the permittee submitted a signed tolling agreement to conclude the enforcement procedures and initiate the after-the-fact (ATF) permitting process, along with a revised mitigation plan.

Between February 1 and August 25, 2022, the permittee made multiple revisions to the mitigation plan, and on September 2, 2022, the Corps determined the final revised mitigation plan was acceptable.

- 4.3. **Modified project description.** The Sterling Ranch Residential Development Project (Project) includes the construction of residential units and attendant utilities, channel improvements to the main stem of Sand Creek, off-line stormwater detention ponds, and the development of two permanent residential access roads and associated culverts. The Project will result in a total of 1.41 acres of impacts to waters of the United States (WOTUS) along Sand Creek, of which 0.47 acre will be temporary and 0.94 acre will be permanent. Additionally, the Project will include the construction of 5.96 acres of riparian wetland restoration and enhancement along Sand Creek to provide compensatory mitigation for the loss of aquatic resource functions resulting from the impacts.

The project will be constructed in accordance with the November 19, 2021, Revised Compensatory Mitigation Plan (Mitigation Plan), prepared by Bristlecone Ecology (enclosure 1) and Sterling Ranch Wetland Impact Location Map Markup (enclosure 2).

Tables 1 and 2 (enclosure 3) provide a list of the aquatic resources that will be impacted by the Project, as compared to the original authorization, and the riparian wetland restoration and enhancement that will serve as compensatory mitigation along Sand Creek.

5. **Authority:** Section 404
6. **Environmental Assessment, Statement of Findings, public interest review, and Section 404(b)(1) Guidelines analysis.** On February 18, 2016, the Corps issued a decision document that contained an Environmental Assessment, Statement of Findings, public interest review, and Section 404(b)(1) Guidelines analysis for the original permitted activity. This supplemental documentation is being prepared to address the individual and cumulative effect of the proposed permit modification on local resources. The District Engineer will impose, as necessary, additional conditions on the proposed permit modification or exercise discretionary authority to address locally important factors relating to the public interest, including any potential adverse effects on the human environment, and to ensure that the authorized activity results in no more than minimal individual and cumulative adverse effects on the environment.
7. **Other federal, state, and local authorizations obtained, required, and/or pending:**

- 7.1. **Endangered Species Act (ESA).** On January 25, 2016, the Corps determined the project was located within the USFWS block clearance for the Preble's Meadow Jumping Mouse (*Zapus hudsonius preblei*). In reviewing the requested permit modifications, the Corps reassessed the project's potential to adversely affect threatened and endangered species and determined there was no change in its previous determination of "No Effect." Therefore, the Corps has satisfied its requirements under Section 7 of the ESA.
- 7.2. **National Historic Preservation Act (NHPA) of 1966.** On February 18, 2016, the Corps determined the project had "no potential to cause effect" to historic properties. Based on the information provided, the Corps determined there would be no change in the previous determination of "no potential to cause effect," and the Corps has satisfied its requirements under Section 106 of the NHPA.
- 7.3. **Water Quality Certification (WQC).** On January 5, 2016, the Colorado Department of Public Health and Environmental (CDPHE) issued a Section 401 "Regular Certification" (No. 4378) for the project. On September 7, 2022, the CDPHE reviewed the project modifications and determined WQC No. 4378 remains in effect.
8. **General Evaluation:** The proposed modification work will not adversely affect the water quality, recreation, archeology, navigation, aesthetics, flood protection, conservation of natural resources, fish and wildlife resources, economics, or land use of the area.

The selected compensatory mitigation option – permittee responsible mitigation (PRM) – deviates from the order of the options presented in 33 CFR 332.3(b)(2)-(6) since the project is located within the Service Area of the Maria Lake Mitigation Bank. The Corps rationale for deviating from the order is as follows:

The project is located in a non-abutting HUC 8 upstream of the HUC 8 in which the Maria Lake mitigation site is located and consists primarily of stream riparian scrub-shrub wetlands, whereas the Maria Lake mitigation site consists primarily of alkali wet meadows. Moreover, stream riparian wetlands are considered to be particularly valuable in the headwaters reaches of the Fountain Creek sub-basin in Northern El Paso County because they provide important functions, especially those related to stormwater (e.g., retention and filtration), that historical data and current trends show are being lost at a relatively high rate (Fountain Creek is the most populated HUC 8 and contains some of the fastest growing communities in the State of Colorado). The continued loss of these watershed functions has directly affected changes in local stormwater drainage criteria, and Sand Creek where the proposed mitigation is located has been identified as an important contributor to those watershed concerns due to the abundance of streams with high erosion rates and elevated levels of sedimentation.

Based on the environmental setting (multiple sub-reaches within the project area already contain the targeted wetland community types), the Corps determined the proposed on-site mitigation would have a relatively high likelihood of success. Based on the location of the proposed mitigation sites within the watershed (immediately downstream of areas that have been master planned for large-scale residential development), the Corps determined the mitigation and associated legal site protection, would help preserve existing wetlands

that already provide essential functions within the watershed and buffer similarly situated downstream wetlands from the effects of continued development upstream. Based on the proposed methods of mitigation (establishment and enhancement), the Corps determined the mitigation would have beneficial indirect effects on adjacent wetland communities and replace wetlands acres that provide prioritized functions within the watershed that Maria Lake Mitigation Bank cannot provide. Therefore, the Corps determined the proposed on-site mitigation is environmentally preferable.

9. **Adverse Effects.** The following is a brief summary of the potential adverse effects of the proposed modified activity on the environment: The modified project involves a reduction in the amount of wetlands that will be permanently lost as a result of the activity. The original permit authorized the loss of approximately 4.21 acres of wetlands along Sand Creek and an unnamed Sand Creek tributary. The modified activity will result in the loss of approximately 0.94 acre of wetlands and approximately 0.41 acre of temporary wetland impacts. However, there will be an increase in temporal loss of function because the compensatory mitigation required by the original permit was not constructed concurrently with the permitted work in WOTUS. This temporal loss has resulted in elevated levels of erosion and sedimentation in Sand Creek downstream of the project. Overall, the modified project will result in a net decrease of overall permanent loss of wetlands.
10. **Permit Conditions.** The following additional measures are being required by this permit modification, and/or are being assured and provided voluntarily by the permit applicant, to ensure that the activity being authorized by the Corps will have no more than minimal adverse effects on the environment:

10.1. General condition 1 has been revised to read as follows:

1. The time limit for completing the work authorized ends on December 31, 2023. If you find that you need more time to complete the authorized activity, the permittee must submit a request for a time extension for consideration at least 1 month before the above date is reached.

10.2. Special conditions 1-4 have been revised to read as follows:

1. To compensate for the loss of aquatic resource functions associated with the permanent impacts to 0.94 acre of riparian wetlands and temporary impacts to 0.47 acre of riparian wetlands in Sand Creek, the permittee shall provide 5.96 acres of riparian wetland restoration comprised of 5.16 acres of establishment, 0.33 acre of re-establishment, and 0.47 acre of enhancement. The wetland restoration will be located on Mitigation Sites 35, 36, 37, 38, and 39, as listed in Table 2 and shown on the revised Sand Creek Restoration – Wetlands Exhibit. To ensure the success of the restoration sites, the permittee shall fully comply with the November 19, 2021, Revised Compensatory Mitigation Plan (Mitigation Plan), prepared by Bristlecone Ecology.

In addition to the performance standards outlined in the Mitigation Plan, the following must be achieved for three years without human intervention before the mitigation work will be considered successful:

- a. Noxious weed control: All species listed in the Colorado Noxious Weed Inventory List-A shall be 100% eradicated.
- b. Indicators of hydrology: The permittee shall ensure the areas intended to be wetlands exhibit USDA NRCS hydric soil characteristics appropriate for the region (e.g., as determined by Corps Regional Supplements to the Corps Delineation Manual) by year 5.

2. In accordance with the Mitigation Plan, the permittee shall submit annual monitoring reports in the format identified in the [Final 2015 Regional Compensatory Mitigation and Monitoring Guidelines for the South Pacific Division](#) by December 31st of each year following completion of construction of the required compensatory mitigation. Submittal of the first monitoring report shall occur after the first growing season following completion of construction. The permittee shall monitor the compensatory mitigation areas for at least five consecutive growing seasons after construction, and/or until this office determines in writing that the approved performance standards and success criteria have been met.

3. The permittee shall commence construction of the compensatory mitigation required by Special Condition 1 of this permit before reinitiating construction activities in WOTUS authorized by this permit. All construction of the required compensatory mitigation shall be completed within 1 year following initiation of construction of the compensatory mitigation. In addition, the permittee shall notify this office in writing at least 10 calendar days prior to the scheduled mitigation construction begin date and within 10 calendar days following completion of the required compensatory mitigation.

4. Within 60 days following completion of the authorized work or at the expiration of the construction window of this permit, whichever occurs first, the permittee shall provide this office with as-built drawings and a description of the work conducted on the project site. The drawings shall be signed and sealed by a registered professional engineer and include:

- a. The Department of the Army Permit number;
- b. A plan view drawing of the location of the authorized work footprint (as shown on the permit drawings) with an overlay of the work as constructed in the same scale as the attached permit drawings. The drawings should show all "earth disturbance," wetland impacts, structures, and the boundaries of any on-site and/or off-site mitigation or avoidance areas;
- c. Ground and aerial photographs of the completed work. The camera positions and view angles of the ground photographs shall be identified on a map, aerial photograph, or project drawings; and
- d. The locations of all minor deviations between the work as authorized by this permit and the work as constructed with a list and descriptions of the deviations.

10.3. Special condition 5 has been removed from this permit.

10.4. The following new special conditions have been added:

5. To validate this authorization, the permittee shall take the actions required to record the Declaration of Conservation Covenants and Restrictions (CC&Rs) (enclosure 6), including the final permit and any applicable maps, drawings, and figures depicting the compensatory mitigation areas listed in Table 2, with the Registrar of Deeds or other appropriate official charged with the responsibility for maintaining records of title to or interest in real property. The permittee shall ensure the CC&Rs, including any modified CC&Rs that may be approved by this office, are recorded in the chain of title against the deed for this property. The permittee shall not record modified CC&Rs unless the proposed modifications have been reviewed and specifically approved in writing by this office.

The permittee shall provide this office with evidence of the recordation of the CC&Rs prior to initiation of construction activities in WOTUS authorized by this permit. If modified CC&Rs are approved by this office in writing, the permittee shall provide this office with evidence of the recordation of the modified CC&Rs within 10 days following recordation. In the event the recordation of the CC&Rs contain an expiration date, the permittee shall ensure re-recordation of the CC&Rs and provide this office with evidence of the re-recordation of the CC&Rs within 10 days following recordation.

6. To ensure completion and success of required compensatory mitigation, the permittee shall post a performance bond in the amount of \$447,000 with a federally approved surety. This bond shall not be released until this office has determined, in writing, that all Corps-approved performance standards have been met. The permittee shall provide this office with a draft performance bond to this office for review and approval. Prior to the initiation of any construction activities in WOTUS authorized by this permit, the permittee shall submit proof of the posting of the performance bond.

a. The posted performance bond shall be sent via certified mail to the following address:

Albuquerque District, U.S. Army Corps of Engineers
Regulatory Division
ATTN: Anica Lucero
4101 Jefferson Plaza NE
Albuquerque, New Mexico 87109-3435

b. If at any time during the construction or monitoring of the compensatory mitigation, this office determines the compensatory mitigation construction or performance standards outlined in the approved *Mitigation Plan* are not met, this office may require the permittee to:

(1) Submit a remediation plan for Corps approval to ensure the compensatory mitigation meets the Corps-approved performance standards;

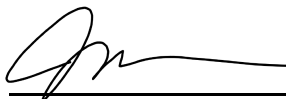
- (2) Submit an alternative compensatory mitigation plan for Corps approval to compensate for direct and indirect effects and/or temporal loss to WOTUS authorized by this permit; or
- (3) Utilize the performance bond, payable to a designee, or placed in a fund pursuant to a standby trust agreement, to conduct alternative compensatory mitigation in accordance with an alternative compensatory mitigation plan. Any use of the performance bond funds, including designee, standby trust agreements, and alternative compensatory mitigation plans shall be specifically approved by this office in writing, prior to drawing upon the performance bond funds.

c. If after the final year of the monitoring period this office determines in writing that the performance standards have been met, including 3 years without human intervention, the performance bond may be released.

7. All notifications and submittals to the Corps required by the conditions of this permit shall be sent to SPA-RD-CO@usace.army.mil.

11. **Cumulative Impacts:** The effects of this project, when added to the effects of other similar projects, will not result in more than minimal cumulative adverse impacts.
12. **Finding of No Significant Impact:** Based on the information in the administrative record for this authorized permit activity, I have made a final determination that the modification of this permit will not have a significant adverse effect on the quality of the human environment and is, therefore, exempt from the requirement to prepare an Environmental Impact Statement pursuant to the National Environmental Policy Act.
13. **Public Interest Determination:** This permit modification, if conducted in accordance with the terms and conditions of the originally issued permit and any additional special conditions stated above and in the permit modification letter, will not be contrary to the public interest.

PREPARED BY:



Joshua G. Carpenter
Senior Project Manager

2022-09-16

Date

REVIEWED BY:

Kelly Allen
Chief, Regulatory Division

Date

APPROVED BY:

Kara A. Hellige
Chief, Southern Colorado Regulatory Branch

Date

STERLING RANCH ROAD CULVERT DESIGN DOCUMENTS
(KBJW)

GENERAL NOTES:

1. THIS SPECIFICATION COVERS THE MANUFACTURE AND INSTALLATION OF THE GALVANIZED STEEL DEEP CORRUGATED ARCH STRUCTURE (BRIDGECOR®) AS DETAILED IN THE PLANS. ANY INSTALLATION INFORMATION PROVIDED HEREIN SHALL BE REVIEWED AND APPROVED BY THE ENGINEER. CHANGES AND DISCREPANCIES MUST BE FORWARDED TO THE MANUFACTURER TO BE INCORPORATED IN A REVISED DRAWING SET.
2. THE ENGINEER SHALL VERIFY THAT THE PROPOSED STRUCTURE IS APPROPRIATE FOR THE SITE CONDITIONS AND THE DESIGN PARAMETERS ARE CONSISTENT WITH THE PROJECT REQUIREMENTS. ALL ASPECTS OF THE STRUCTURE DESIGN AND SITE LAYOUT NOT EXPLICITLY INCLUDED IN THESE DRAWINGS SHALL BE PROVIDED OR COORDINATED BY THE ENGINEER. THIS MAY INCLUDE BUT IS NOT LIMITED TO: FOUNDATIONS, BACKFILL, END TREATMENTS, HYDRAULIC ANALYSIS AND SCOUR ANALYSIS AS REQUIRED.
3. CONTECH PRODUCT DRAWINGS MAY NOT BE USED, REPRODUCED, COPIED, OR ISSUED TO A THIRD PARTY WITHOUT THE PRIOR WRITTEN PERMISSION OF CONTECH ENGINEERED SOLUTIONS.
4. ALL DIMENSIONS ARE TO THE INSIDE CREST OF THE CORRUGATION PROFILE UNLESS NOTED OTHERWISE AND ARE SUBJECT TO MANUFACTURING TOLERANCES.
5. THE STRUCTURE GEOMETRY, DESIGN, AND MATERIALS AS SHOWN IN THESE DRAWINGS ONLY APPLY FOR BRIDGECOR®, DESIGNED AND FABRICATED BY CONTECH ENGINEERED SOLUTIONS (CONTECH). ALTERNATIVE SYSTEMS SHALL BE FULLY DESIGNED AND APPROVED PRIOR TO BIDDING, WITH SEALED DRAWINGS AND CALCULATIONS PROVIDED TO DEMONSTRATE COMPLIANCE WITH THE SAME GEOMETRY, DESIGN, AND MATERIAL REQUIREMENTS AS SHOWN HEREIN.
6. CIRCUMFERENTIAL PLATE LENGTHS ARE IN TERMS OF S = 16 INCHES.
7. FOR WATER CONVEYANCE APPLICATIONS THE STRUCTURE MUST MEET HYDRAULIC REQUIREMENTS OF THE SITE AS DETERMINED BY THE ENGINEER. SHEET PILING, INLET AND OUTLET APRONS, CUTOFF WALLS, RIP RAP, AND/OR OTHER MEASURES SHALL BE INSTALLED AS NECESSARY TO PREVENT LOSS OF ENGINEERED BACKFILL AND/OR FOUNDATION SOILS DUE TO SCOUR. THE EXTENT, SIZE, AND LOCATION OF SCOUR PROTECTION SHALL BE DETERMINED BY THE ENGINEER.
8. PERIMETER DRAINAGE, SURFACE DRAINAGE, AND GRADING AROUND THE STRUCTURE SHALL BE DESIGNED, SPECIFIED, SUPPLIED, AND INSTALLED BY OTHERS.

DESIGN PARAMETERS

1. DESIGN BY CONTECH ENGINEERED SOLUTIONS IS BASED ON THE FOLLOWING DESIGN CRITERIA:
 VEHICLE LIVE LOAD: HL-93
 MINIMUM COVER: 2.0'
 MAXIMUM COVER: 5.75'
 DESIGN UNIT WEIGHT OF ENGINEERED BACKFILL = 120 LBS/FT³
2. ENGINEERED BACKFILL MATERIAL SHALL COMPLY WITH THE ENGINEERED BACKFILL MATERIAL REQUIREMENTS SHOWN IN THESE DRAWINGS.
3. DESIGN COVER AND LATERAL EXTENT OF ENGINEERED BACKFILL ZONE SHALL BE AS SHOWN IN THESE DRAWINGS AND REQUIRED BY THE DESIGN STANDARDS REFERENCED IN THESE NOTES.
4. REFERENCE AASHTO LRFD SECTION 12.6.1 FOR SEISMIC DESIGN CONSIDERATIONS.
5. STRUCTURE DESIGN BASED ON SITE SOIL INFORMATION PROVIDED IN CONTRACT DOCUMENTS. IF UNEXPECTED SITE SOIL CONDITIONS ARE ENCOUNTERED, CONTECH MUST BE NOTIFIED TO DETERMINE IF DESIGN CHANGES ARE NEEDED.
6. TEMPORARY CONSTRUCTION VEHICLE LOADING HEAVIER THAN THE DESIGN VEHICLE LIVE LOAD SHALL NOT BE PERMITTED TO CROSS OVER THE STRUCTURE WITHOUT THE APPROVAL OF CONTECH. IT IS THE CONTRACTOR'S RESPONSIBILITY TO NOTIFY CONTECH OF THE SIZE, TYPE AND WEIGHT OF ANY CONSTRUCTION VEHICLES INTENDED TO CROSS OVER THE STRUCTURE.

BRIDGECOR STEEL BOX STERLING RANCH ROAD- CO SPRINGS COLORADO SPRINGS, CO

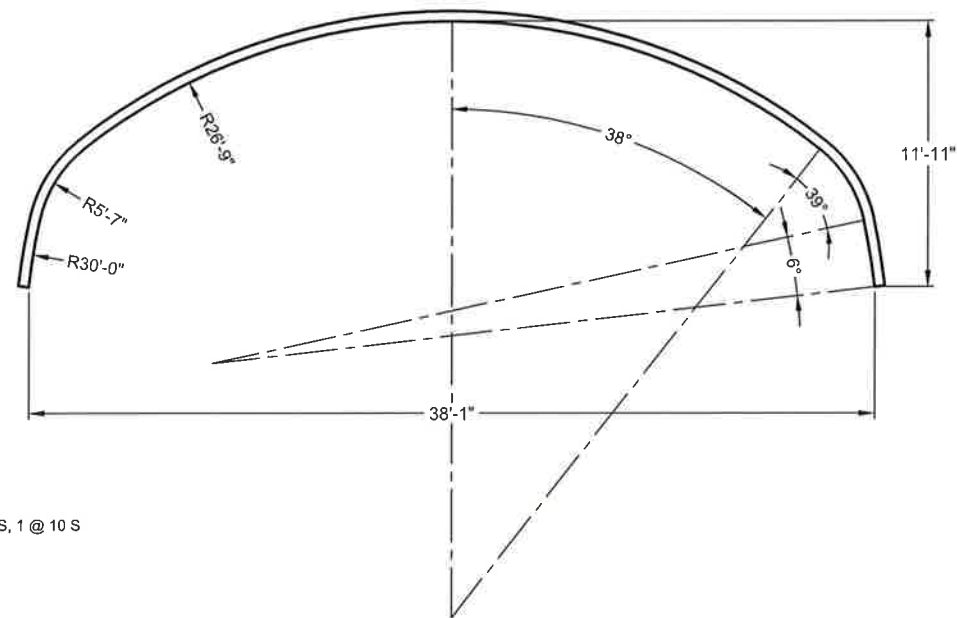


PLATE MAKE UP: 1 @ 14 S, 1 @ 13 S, 1 @ 10 S

NOTES:

- 1) MEASUREMENTS ARE TO THE INSIDE CRESTS OF THE CORRUGATIONS.
- 2) DIMENSIONS ARE SUBJECT TO MANUFACTURING TOLERANCES.
- 3) CIRCUMFERENTIAL PLATE LENGTHS ARE IN TERMS OF S = 16 INCHES.

BRIDGECOR STEEL BOX
INSIDE END AREA = 355 ft²
TOTAL S = 37

STRUCTURE CROSS-SECTION



FOR APPROVAL

I:\MERLIN\PROJECTS\705900\705931\10-BRIDGECORCONTRACT\PRE-705931-010-B-CBSB-COM-B.DWG 7/8/2022 3:27 PM
 The design and information shown on this drawing is provided as a service to the project owner, engineer and contractor by Contech Engineered Solutions LLC ("Contech"). Neither this drawing nor any part thereof, may be used, reproduced or modified in any manner without the prior written consent of Contech. Failure to comply is done at the user's own risk and Contech expressly disclaims any liability or responsibility for such use.
 If discrepancies between the supplied information upon which the drawing is based and actual field conditions are encountered as site work progresses, these discrepancies must be reported to Contech immediately for re-evaluation of the design. Contech accepts no liability for designs based on missing, incomplete or inaccurate information supplied by others.

MARK	DATE	REVISION DESCRIPTION	BY
1	6/30/2022	REVISED PER REVIEWER COMMENTS	SCC

CONTECH
ENGINEERED SOLUTIONS LLC
www.ContechES.com
9025 Centre Pointe Dr., Suite 400, West Chester, OH 45069
800-338-1122 513-645-7000 513-645-7993 FAX

BridgeCor
CONTECH
CONTRACT
DRAWING

BRIDGECOR STEEL BOX
38'-1" SPAN X 11'-11" RISE
STERLING RANCH ROAD- CO SPRINGS
COLORADO SPRINGS, CO

PROJECT No.: 705931	SEQ. No.: 010	DATE: 4/6/2022
DESIGNED: XXX	DRAWN: SCC	
CHECKED: EDE	APPROVED: XXX	
SHEET NO.: 1 OF 8		

1. **DESIGN AND MANUFACTURING STANDARDS**

- 1.1 ALL STANDARDS REFER TO THE CURRENT ASTM/AASHTO EDITION UNLESS OTHERWISE NOTED
 - 1.2 AASHTO M111 - STANDARD SPECIFICATION FOR ZINC (HOT-DIP GALVANIZED) COATINGS ON IRON AND STEEL PRODUCTS
 - 1.3 AASHTO M232 - STANDARD SPECIFICATION FOR ZINC COATING (HOT-DIP) ON IRON AND STEEL HARDWARE
 - 1.4 AASHTO M 167 - STANDARD SPECIFICATION FOR CORRUGATED STEEL STRUCTURAL PLATE, ZINC COATED, FOR FIELD-BOLTED PIPE, PIPE-ARCHES AND ARCHES
 - 1.5 AASHTO LRFD BRIDGE DESIGN SPECIFICATIONS - SECTION 12
 - 1.6 AASHTO LRFD BRIDGE CONSTRUCTION SPECIFICATIONS - SECTION 26
 - 1.7 ASTM A761 - STANDARD SPECIFICATION FOR CORRUGATED STEEL STRUCTURAL PLATE, ZINC COATED, FOR FIELD-BOLTED PIPE, PIPE-ARCHES AND ARCHES
 - 1.8 ASTM A796 - STANDARD PRACTICE FOR STRUCTURAL DESIGN OF CORRUGATED STEEL PIPE, PIPE-ARCHES, AND ARCHES FOR STORM AND SANITARY SEWERS AND OTHER BURIED APPLICATIONS
 - 1.9 ASTM A807 - STANDARD PRACTICE FOR INSTALLING CORRUGATED STEEL STRUCTURAL PLATE PIPE FOR SEWERS AND OTHER APPLICATIONS
 - 1.10 ASTM A449 - STANDARD SPECIFICATION FOR HEX CAP SCREWS, BOLTS AND STUDS, HEAT TREATED, 120/105/90 KSI MINIMUM TENSILE STRENGTH, GENERAL USE
 - 1.11 ASTM A123 - STANDARD SPECIFICATION FOR ZINC (HOT DIP GALVANIZED) COATINGS ON IRON AND STEEL PRODUCTS
 - 1.12 ASTM A153 - STANDARD SPECIFICATION FOR ZINC COATING (HOT-DIP) ON IRON AND STEEL HARDWARE
2. **DEFINITIONS**
- 2.1 ENGINEER - IN THESE NOTES THE WORD "ENGINEER" SHALL MEAN THE ENGINEER OF RECORD OR OWNER'S DESIGNATED ENGINEERING REPRESENTATIVE.
 - 2.2 MANUFACTURER - IN THESE NOTES THE WORD "MANUFACTURER" SHALL MEAN THE MANUFACTURER OF THE DEEP CORRUGATED ARCH PLATES, CONTECH ENGINEERED SOLUTIONS @ PHONE 800/338-1122.
 - 2.3 CONTRACTOR - IN THESE NOTES THE WORD "CONTRACTOR" SHALL MEAN THE FIRM OR CORPORATION UNDERTAKING THE EXECUTION OF ANY INSTALLATION WORK UNDER THE TERMS OF THESE SPECIFICATIONS.
3. **BRIDGECOR® STRUCTURE ASSEMBLY**
- 3.1 ASSEMBLY OF THE BRIDGECOR® STRUCTURE SHALL BE IN ACCORDANCE WITH SECTION 26 OF AASHTO LRFD CONSTRUCTION SPECIFICATIONS (LATEST EDITION, WITH INTERIMS) AND ANY SUPPLEMENTAL RECOMMENDATIONS PROVIDED BY THE MANUFACTURER.
 - 3.2 ALL PLATES SHALL BE UNLOADED AND HANDLED WITH REASONABLE CARE. PLATES SHALL NOT BE ROLLED OR DRAGGED OVER GRAVEL ROCK AND SHALL BE PREVENTED FROM STRIKING ROCK OR OTHER HARD OBJECTS DURING PLACEMENT IN TRENCH OR ON BEDDING.
GALVANIZED COATINGS THAT HAVE BEEN COMPROMISED SHALL BE RESTORED WITH A MINIMUM OF TWO COATS OF COLD GALVANIZING COMPOUND (SPRAY OR PAINT) IN ACCORDANCE WITH ASTM A761, SECTION 7 OR OTHER MEASURES AS DESCRIBED IN ASTM A780.
 - 3.3 FOR STRUCTURES SET ON FOOTINGS, PLATE ASSEMBLY CAN BEGIN AFTER PLACEMENT OF STRUCTURE FOOTINGS HAS BEEN APPROVED BY THE ENGINEER. VERIFICATION OF PROPER SPACING, ALIGNMENT, AND ORIENTATION OF THE FOUNDATIONS IS STRONGLY RECOMMENDED PRIOR TO BEGINNING PLATE ASSEMBLY. ANY MODIFICATIONS TO THE FOUNDATIONS SHALL BE MADE PRIOR TO BEGINNING PLATE ASSEMBLY.
BEDDING PREPARATION FOR ROUND AND ELLIPTICAL SHAPES SHOULD BE APPROVED BY THE ENGINEER PRIOR TO ASSEMBLY. THE BED SHOULD BE CONSTRUCTED TO UNIFORM LINE AND GRADE. IT SHOULD BE FREE OF ROCK FORMATIONS, PROTRUDING STONES, FROZEN LUMPS, ROOTS AND OTHER FOREIGN MATTER.
 - 3.4 THE SPAN AND RISE OF THE STRUCTURE SHOULD BE CHECKED FREQUENTLY DURING THE EARLY STAGES OF ASSEMBLY TO VERIFY THAT ASSEMBLY TOLERANCES ARE BEING ACHIEVED AND TO ALLOW FOR ADJUSTMENTS TO PROCEDURES, IF NECESSARY, BEFORE ASSEMBLY IS COMPLETE.
 - 3.5 CUT PLATES FOR SKEWED OR BEVELED ENDS SHOULD BE ATTACHED AFTER THE MAIN BARREL OF A STRUCTURE HAS BEEN ASSEMBLED. WHEN CAST-IN-PLACE CONCRETE COLLARS OR HEADWALLS ARE TO BE CONSTRUCTED, THE CONTRACTOR MUST ALLOW FOR FORMWORK TO BE ERECTED ON THE END OF THE STRUCTURE. FORMING AGAINST A SKEWED CORRUGATION PROFILE IS COMPLEX AND SHOULD BE ACCOUNTED FOR BY THE FORMING CONTRACTOR WHEN PLANNING PROCEDURES AND METHODS FOR FORMWORK CONSTRUCTION. IN SOME CASES, FIELD TRIMMING OF THE STRUCTURE MAY BE NECESSARY. SPECIAL

- BRACING AND/OR SCAFFOLDING (DESIGN BY OTHERS) IS REQUIRED TO SUPPORT SKEWED ENDS UNTIL ADEQUATE COMPRESSIVE STRENGTH IS ACHIEVED AS REQUIRED BY THE COLLAR/HEADWALL DESIGNER.
 - 3.6 NUTS SHALL BE PLACED WITH THE ROUNDED FACE IN CONTACT WITH THE PLATES UNLESS NOTED OTHERWISE. NUTS CAN BE ON EITHER THE INSIDE OR OUTSIDE OF THE STRUCTURE TO FACILITATE ASSEMBLY.
 - 3.7 RECOMMENDED TORQUE RANGE ON THE BOLTS IS 150 TO 300 FT-LBS FOR 3/4" DIAMETER BOLTS AND 200-350 FT-LBS FOR 7/8" DIAMETER BOLTS.
 - 3.8 INSIDE SPAN AND RISE OF THE ASSEMBLED STRUCTURE AFTER BOLTING SHALL BE WITHIN 2% (OR 5 INCHES, WHICHEVER IS LESS) OF THE PLAN DIMENSIONS. THE TOLERANCE ON STRUCTURE LENGTH IS ± 1/2" PER 10 FT OF STRUCTURE LENGTH
4. **ENGINEERED BACKFILL ENVELOPE**
- 4.1 ENGINEERED BACKFILL MATERIAL SHALL BE PLACED WITHIN THE ENGINEERED BACKFILL ENVELOPE TO THE MINIMUM WIDTH AND WITHIN THE COVER LIMITS SHOWN ON THESE DRAWINGS. THE ENGINEERED BACKFILL ENVELOPE SHALL NOT BE ALTERED WITHOUT WRITTEN APPROVAL FROM CONTECH.
 - 4.2 IN-SITU SOILS BELOW AND ADJACENT TO THE ENGINEERED BACKFILL ENVELOPE SHALL PROVIDE A FIRM SURFACE AGAINST WHICH TO COMPACT THE ENGINEERED BACKFILL MATERIAL. THE GEOTECHNICAL ENGINEER SHALL EVALUATE THE IN-SITU SOILS AND DETERMINE THE TYPE AND DEGREE OF ANY SOIL IMPROVEMENTS REQUIRED. THESE MAY INCLUDE BENCHING OR SLOPING OF THE SIDE SOILS. BACKFILL PLACEMENT MAY NOT BEGIN UNTIL THE GEOTECHNICAL ENGINEER HAS APPROVED THE IN-SITU SOILS AND ANY REQUIRED IMPROVEMENTS.
 - 4.3 A DRAINED CONDITION WAS ASSUMED FOR THE ENGINEERED BACKFILL ENVELOPE. DESIGN AND SUPPLY OF A SUBSURFACE DRAINAGE SYSTEM (IF NEEDED) SHALL BE PROVIDED BY OTHERS.
 - 4.4 IF REQUIRED BY THE GEOTECHNICAL ENGINEER, A GEOTEXTILE OR GRADED SOIL FILTER MAY BE USED BETWEEN THE ENGINEERED BACKFILL AND IN-SITU SOIL TO PREVENT MIGRATION OF FINES AND POSSIBLE INTERNAL EROSION OF THE SOIL.
5. **ENGINEERED BACKFILL MATERIAL REQUIREMENTS**
- 5.1 THE DESIGN OF BRIDGECOR® STRUCTURES RELIES ON COMPACTED SOIL PROPERTIES PROVIDED BY THE ENGINEERED BACKFILL MATERIALS. THE CORRECT SELECTION AND PLACEMENT OF COMPACTED ENGINEERED BACKFILL MATERIAL IS CRITICAL TO THE PERFORMANCE OF BRIDGECOR® STRUCTURES.
 - 5.2 THE ENGINEERED BACKFILL MATERIAL SHALL NOT BE ADVERSELY AFFECTED BY WETTING, DRYING, SATURATION, FREEZE/THAW, VIBRATIONS, OR FLOWING WATER.
 - 5.3 BACKFILL MATERIALS SHALL CONFORM TO PROPERTIES REFERENCED IN THE PROJECT SPECIFICATIONS OR THE PROPERTIES DESCRIBED HEREIN, WHICHEVER IS MORE STRINGENT.
 - 5.4 BACKFILL MATERIAL SHOULD CONSIST OF A WELL-GRADED, ANGULAR GRANULAR SOIL WITH A MAXIMUM PARTICLE SIZE OF 3 INCHES. OPEN GRADED OR GAP GRADED MATERIALS ARE NOT PREFERRED. THE BACKFILL MATERIAL SHOULD BE FREE OF FROZEN LUMPS, FOREIGN MATERIAL OR ORGANIC DECOMPOSABLE MATERIALS. FINE BEACH SANDS, WINDBLOWN SANDS, AND STREAM DEPOSITED SANDS ALL OF WHICH EXHIBIT FINE, ROUNDED PARTICLES AND TYPICALLY ARE CLASSIFIED BY AASHTO M 145 AS A-3 MATERIALS ARE NOT ALLOWED. WHEN USING A-2 MATERIALS, MOISTURE CONTENT MUST BE BETWEEN -3% AND +2% OPTIMUM AS DEFINED BY AASHTO T 180.
 - 5.5 GRAIN SIZE DISTRIBUTION (GRADATION) OF THE ENGINEERED BACKFILL MATERIAL SHALL SATISFY: C_u GREATER THAN OR EQUAL TO 3 AND C_c BETWEEN 0.7 AND 3, WHERE C_u = COEFFICIENT OF UNIFORMITY = D_{60}/D_{10} AND C_c = COEFFICIENT OF CURVATURE = $(D_{30})^2/(D_{60} \times D_{10})$. DXX IS THE PARTICLE SIZE CORRESPONDING TO XX% FINER ON THE CUMULATIVE PARTICLE SIZE DISTRIBUTION CURVE (ASTM D2487).
 C_u REQUIREMENTS ARE WAIVED FOR CRUSHER RUN SCREENED AGGREGATES. C_c REQUIREMENTS ARE WAIVED FOR BACKFILL MATERIAL CONTAINING MORE THAN 60% GRAVEL (> #4 SIEVE).
 - 5.6 ABRASION LOSS SHALL NOT EXCEED 45% AS DETERMINED BY THE LOS ANGELES ABRASION TEST (ASTM C131).
 - 5.7 HUMIC (DECAYING) ORGANIC MATTER SHALL NOT EXCEED 1.0% (DRY WEIGHT BASIS).
 - 5.8 ELECTROCHEMICAL REQUIREMENTS FOR SOIL AND WATER IN CONTACT WITH BOTH THE INSIDE AND OUTSIDE OF THE BRIDGECOR® STRUCTURE ARE AS FOLLOWS, PER THE NCSPA DESIGN MANUAL:
 - PH = 6 TO 10
 - RESISTIVITY = 2,000 to 10,000 OHM-CM
 - WATER HARDNESS > 50 PPM $CaCO_3$
 - 5.9 IF THE ELECTROCHEMICAL PROPERTIES OF THE BACKFILL OR WATER FALL OUTSIDE OF THE RECOMMENDED RANGE, A SECONDARY PROTECTION SYSTEM MAY BE NEEDED TO ACHIEVE THE DESIGN SERVICE LIFE. SECONDARY PROTECTION SYSTEMS (IF REQUIRED) SHALL BE DESIGNED AND PROVIDED BY OTHERS.
 - 5.10 THE SELECTION AND EVALUATION OF PROPOSED ENGINEERED BACKFILL MATERIAL

- IS THE RESPONSIBILITY OF THE CONTRACTOR. THE CONTRACTOR SHALL PROVIDE CONTECH WITH DOCUMENTATION FROM A QUALIFIED GEOTECHNICAL ENGINEER THAT THE PROPOSED ENGINEERED BACKFILL MATERIAL MEETS OR EXCEEDS THE REQUIREMENTS.
6. **ENGINEERED BACKFILL PLACEMENT PROCEDURE**
- 6.1 A CONTECH REPRESENTATIVE WILL CONDUCT A PRECONSTRUCTION CONFERENCE PRIOR TO COMMENCEMENT OF WORK TO REVIEW AND DISCUSS THE RECOMMENDED PROCEDURES FOR BACKFILLING, AND STRUCTURE SHAPE MEASUREMENTS. ANY CONTRACTOR WITH RESPONSIBILITY FOR BACKFILLING OR CONSTRUCTION OF END TREATMENTS MUST BE REPRESENTED AT THIS MEETING. IT IS RECOMMENDED THAT THE ENGINEER AND ANY THIRD PARTY INVOLVED IN COMPACTION TESTING OR OTHER QUALITY CONTROL MEASURES ALSO ATTEND.
 - 6.2 ANY IMPROVEMENT OF THE SUBGRADE AND EMBANKMENT SOILS REQUIRED BY THE GEOTECHNICAL ENGINEER SHALL BE COMPLETED AND APPROVED PRIOR TO BEGINNING PLACEMENT OF ENGINEERED BACKFILL MATERIAL.
 - 6.3 THE ENGINEERED BACKFILL MATERIAL SHALL BE PLACED UNIFORMLY ON BOTH SIDES OF THE STRUCTURE IN LAYERS OF 8 INCHES OR LESS (BEFORE COMPACTION).
 - 6.4 BACKFILL SHALL BE COMPACTED TO THE MINIMUM DENSITY INDICATED IN THESE DRAWINGS. DEPENDING ON THE COMPACTION EQUIPMENT AND ENGINEERED BACKFILL MATERIAL USED, IT MAY BE NECESSARY TO DECREASE THE LIFT THICKNESS AND/OR MOISTURE CONDITION THE LOOSE SOIL TO ACHIEVE THE SPECIFIED MINIMUM LEVEL OF COMPACTION.
 - 6.5 IF THE ENGINEERED BACKFILL MATERIAL DOES NOT PRODUCE A PROCTOR CURVE AND/OR IS NOT CONDUCTIVE TO TRADITIONAL FIELD-TESTING METHODS, QUALITATIVE METHODS OF EVALUATING COMPACTION MAY BE USED. SUCH METHODS SHALL BE EVALUATED AND APPROVED BY THE GEOTECHNICAL ENGINEER AND A COPY OF THE METHOD BE PROVIDED TO THE DESIGNER.
 - 6.6 THE DIFFERENCE IN BACKFILL LEVELS ON THE TWO SIDES OF THE STRUCTURE AT ANY TRANSVERSE SECTION SHALL NOT EXCEED 24 INCHES WITHOUT PRIOR APPROVAL FROM CONTECH.
 - 6.7 CONSTRUCTION EQUIPMENT USED WITHIN 5 FEET Laterally OF THE WIDEST PART OF THE STRUCTURE, UP TO THE MINIMUM DESIGN COVER HEIGHT ABOVE THE STRUCTURE, SHALL HAVE A STATIC MASS OF 10 TONS OR LESS. IT MAY BE POSSIBLE TO USE HEAVIER EQUIPMENT IF IT CAN BE DEMONSTRATED THAT THE STRUCTURE SHAPE IS NOT ADVERSELY AFFECTED. ENGINEERED BACKFILL MATERIAL PLACED WITHIN 1 FOOT Laterally OF THE WIDEST PART OF THE STRUCTURE SHALL BE COMPACTED USING HAND OPERATED EQUIPMENT UNTIL THE MINIMUM COVER HEIGHT IS REACHED. OVER-COMPACTION OF ENGINEERED BACKFILL IN THIS ZONE SHOULD BE AVOIDED, AS THIS CAN CONTRIBUTE TO EXCESSIVE DEFLECTION OF SOME STRUCTURES. AREAS CLOSEST TO THE STRUCTURE SHALL BE COMPACTED RUNNING PARALLEL TO THE LENGTH OF THE STRUCTURE.
 - 6.8 ONCE THE BACKFILL ELEVATION REACHES APPROXIMATELY 3/4 OF THE STRUCTURE RISE (DEPENDING ON THE SHAPE OF THE STRUCTURE AND RELATIVE MOVEMENT DURING THE BACKFILL PROCESS), PLACE AND COMPACT ENGINEERED BACKFILL MATERIAL IN RADIAL LIFTS OVER THE TOP OF THE STRUCTURE USING EQUIPMENT AS DESCRIBED ABOVE. THE FIRST RADIAL LIFT SHOULD BE THICKER AND PROVIDE A MINIMUM 12 INCHES OF COVER BETWEEN THE STRUCTURE AND COMPACTION EQUIPMENT. EQUIPMENT SHOULD RUN PERPENDICULAR TO THE LONGITUDINAL AXIS OF THE STRUCTURE. NO EQUIPMENT SHALL BE ALLOWED OVER THE STRUCTURE THAT WOULD EXCEED THE DESIGN LOAD AT THE MINIMUM DESIGN HEIGHT OF COVER. NO CONSTRUCTION EQUIPMENT SHALL BE ALLOWED TO PARK ON TOP OF A PARTIALLY BACKFILLED STRUCTURE.
 - 6.9 AT NO TIME SHALL THE ENGINEERED BACKFILL MATERIAL BE DUMPED OR PUSHED AGAINST THE STRUCTURE WALL(S) SO AS TO CHANGE THE SHAPE OR ALIGNMENT OF THE STRUCTURE. MATERIAL SHALL NOT BE DUMPED ON TOP OF THE STRUCTURE AT ANY TIME. TRUCKS MAY UNLOAD IN ROUGH LAYERS NO CLOSER THAN 5 FEET FROM THE WIDEST PART OF THE STRUCTURE.
 - 6.10 THE STRUCTURE SHALL BE CHECKED PERIODICALLY DURING BACKFILLING TO ENSURE THE SHAPE OF THE STRUCTURE MEETS DESIGN REQUIREMENTS AND IS CONSISTENT WITH THE ASSEMBLY TOLERANCES AS STATED IN THESE NOTES. IF DEFLECTION OF THE STRUCTURE IS GREATER THAN EXPECTED, BACKFILLING SHALL BE HALTED AND BACKFILL PLACEMENT AND COMPACTION PROCEDURES MODIFIED TO CORRECT THE STRUCTURE SHAPE. IT MAY BE NECESSARY TO REMOVE SOME OF THE BACKFILL TO CORRECT EXCESSIVE DEFLECTION. AFTER COMPLETION OF BACKFILL PLACEMENT, THE FINAL SHAPE OF THE STRUCTURE SHALL BE WITHIN 2% (OR 5 INCHES, WHICHEVER IS LESS) OF THE PLAN DIMENSIONS.
7. **CONSTRUCTION OBSERVATIONS AND TESTING**
- 7.1 OBSERVATION AND TESTING SHALL BE PERFORMED DURING CONSTRUCTION TO VERIFY COMPLIANCE WITH THESE DRAWINGS, APPLICABLE PROJECT DOCUMENTS, AND STANDARDS REFERENCED IN THESE NOTES.

- 7.2 THE CONTRACTOR IS RESPONSIBLE FOR QUALITY CONTROL PROCEDURES, VERIFICATION MEASUREMENTS, ADEQUATE SUPERVISION, PROGRESS TESTING, EVALUATION OF PROPOSED ENGINEERED BACKFILL MATERIALS, AND/OR OTHER MEASURES AS NEEDED TO ENSURE THAT THE COMPLETED PROJECT COMPLIES WITH THESE DRAWINGS AND NOTES.
- 7.3 THE PROJECT OWNER (OR THEIR DESIGNATED REPRESENTATIVE) IS RESPONSIBLE FOR PROJECT OVERSIGHT AND FINAL ACCEPTANCE OF THE CONSTRUCTED STRUCTURE. THE OWNER MAY ACCEPT THE CONTRACTOR'S QUALITY CONTROL PROGRAM OR ADOPT AN INDEPENDENT QUALITY ASSURANCE PROGRAM TO VERIFY COMPLIANCE.
- 7.4 OBSERVATIONS AND TESTING PRIOR TO STRUCTURE ASSEMBLY & BACKFILL SHALL INCLUDE BUT NOT BE LIMITED TO:
 - EVALUATION OF FOUNDATION SOILS BELOW FOOTINGS AND THE ENGINEERED BACKFILL ENVELOPE
 - VERIFICATION OF PROPER ALIGNMENT, DIMENSIONS, AND PLACEMENT OF FOUNDATIONS
 - VERIFICATION OF PROPER SHAPING, PLACEMENT, AND PREPARATION OF BEDDING SOILS (STRUCTURES WITH INVERTS)
 - VERIFICATION OF PROPER PREPARATION OF EMBANKMENT SOILS ADJACENT TO THE ENGINEERED BACKFILL ENVELOPE
 - EVALUATION AND APPROVAL OF ENGINEERED BACKFILL MATERIALS
 - VERIFICATION OF PROPER PLACEMENT OF GEOTEXTILES (WHEN REQUIRED)
- 7.5 OBSERVATIONS AND TESTING DURING ASSEMBLY & BACKFILLING SHALL INCLUDE BUT NOT BE LIMITED TO:
 - STRUCTURE ALIGNMENT
 - PLATE TIGHTNESS OBSERVATIONS
 - BOLT TORQUE MEASUREMENTS
 - INITIAL STRUCTURE SHAPE MEASUREMENTS (PRIOR TO STARTING BACKFILLING)
 - PERIODIC STRUCTURE SHAPE MEASUREMENTS (DURING BACKFILLING)
 - ENGINEERED BACKFILL MATERIAL SAMPLING AND TESTING
 - OBSERVATIONS OF PROPER FILL PLACEMENT AND COMPACTION PROCEDURES.
- 7.6 CONTECH MAY REQUIRE ADDITIONAL OBSERVATIONS AND/OR TESTING WHICH MAY INCLUDE, BUT NOT BE LIMITED TO, FULL TIME SHAPE MONITORING, ADDITIONAL SOIL TESTING, AND SITE EVALUATIONS DEPENDING ON THE STRUCTURE GEOMETRY, DESIGN, AND/OR OTHER PROJECT SPECIFIC FACTORS.

I:\MERLIN\PROJECTS\1705900\1705901-10-BRIDGECORCONTRACT\PRE-705931-010-BCSB-COM-B.DWG 7/18/2022 3:27 PM

FOR APPROVAL

CONTECH®
ENGINEERED SOLUTIONS LLC
www.ContechES.com
9025 Centre Pointe Dr., Suite 400, West Chester, OH 45069
800-338-1122 513-645-7000 513-645-7993 FAX

BridgeCor

CONTECH
CONTRACT
DRAWING

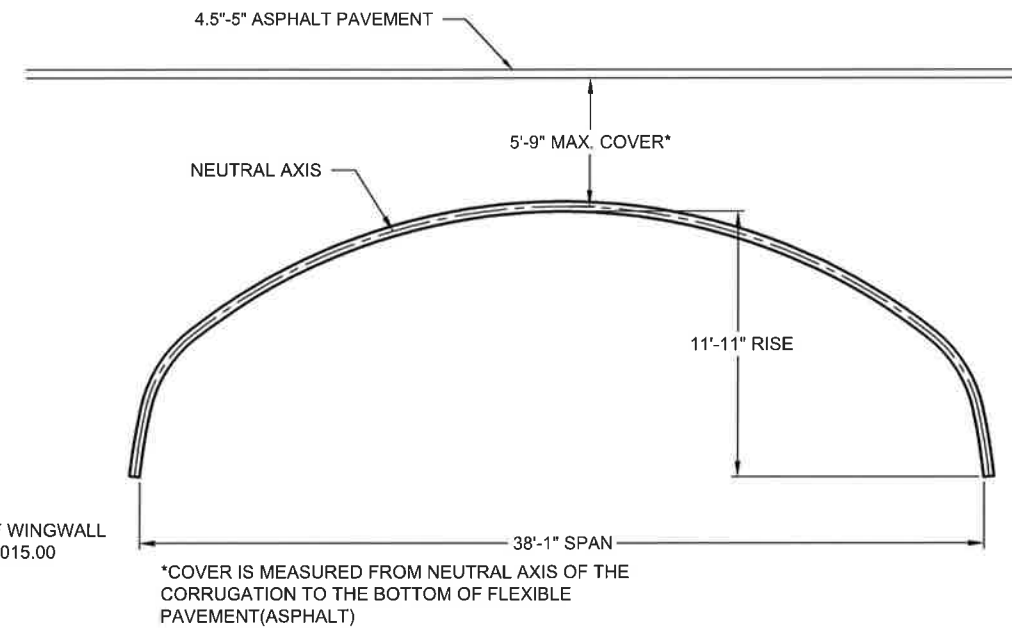
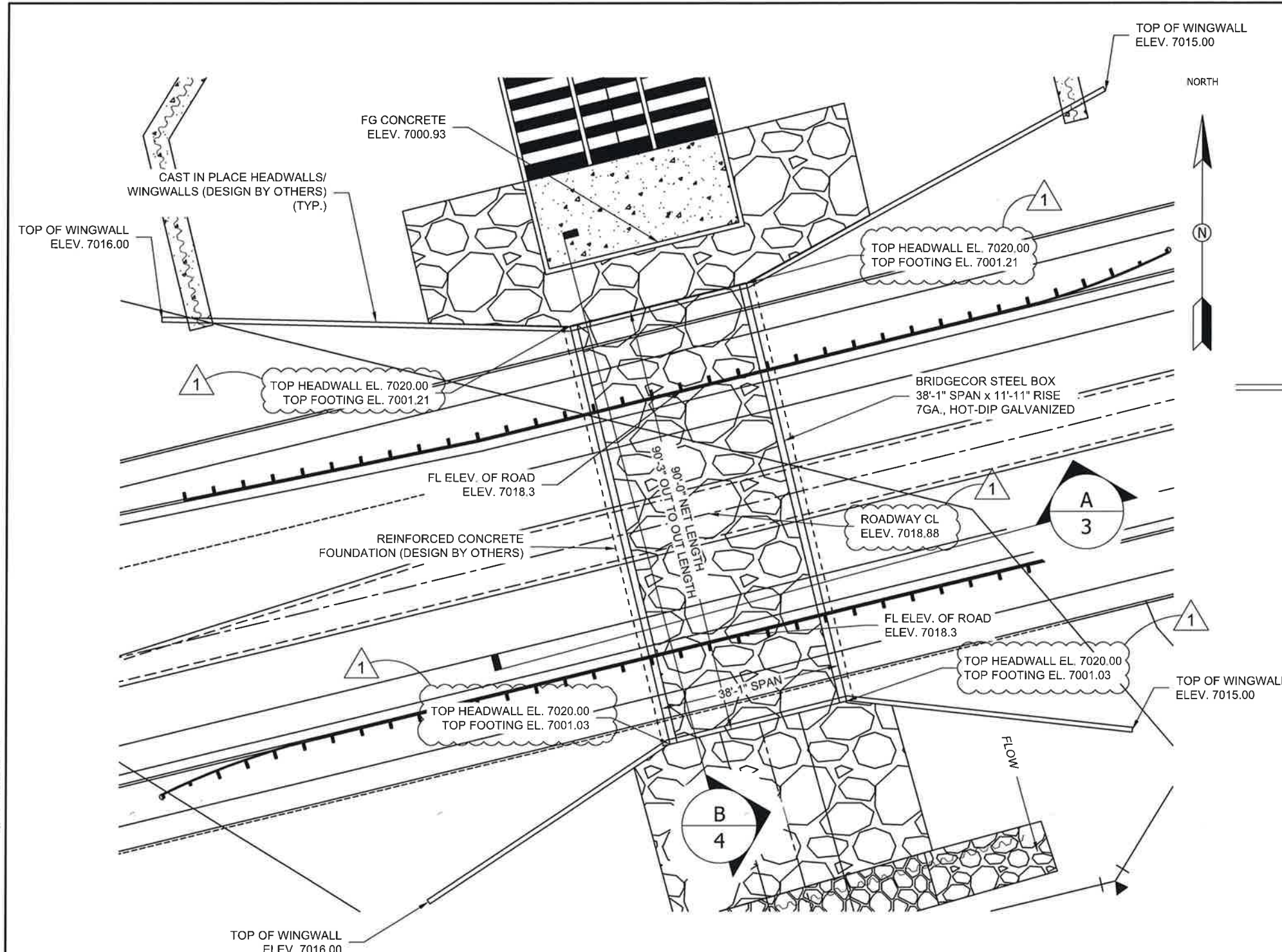
BRIDGECOR STEEL BOX
38'-1" SPAN X 11'-11" RISE
STERLING RANCH ROAD- CO SPRINGS
COLORADO SPRINGS, CO



The design and information shown on this drawing is provided as a service to the project owner, engineer and contractor by Contech Engineered Solutions LLC ("Contech"). Neither this drawing, nor any part thereof, may be used, reproduced or modified in any manner without the prior written consent of Contech. Failure to comply is done at the user's own risk and Contech expressly disclaims any liability or responsibility for such use.

If discrepancies between the supplied information upon which the drawing is based and actual field conditions are encountered as site work progresses, these discrepancies must be reported to Contech immediately for re-evaluation of the design. Contech accepts no liability for designs based on missing, incomplete or inaccurate information supplied by others.

						PROJECT No.: 705931	SEQ. No.: 010	DATE: 4/6/2022
						DESIGNED: XXX	DRAWN: SCC	
						CHECKED: EDE	APPROVED: XXX	
MARK		DATE	REVISION DESCRIPTION	BY		SHEET NO: 2 OF 8		
1	6/30/2022	REVISED PER REVIEWER COMMENTS	SCC					



BRIDGE PLAN

BRIDGE SECTION VIEW A/3

FOR APPROVAL

I:\MERLIN\PROJECTS\ACTIVE\705900\705931\10-BRIDGE\CONTRACT\PRE-705931-010-BCSB-COM-B.DWG 7/8/2022 3:27 PM

The design and information shown on this drawing is provided as a service to the project owner, engineer and contractor by Contech Engineered Solutions LLC ("Contech"). Neither this drawing, nor any part thereof, may be used, reproduced or modified in any manner without the prior written consent of Contech. Failure to comply is done at the user's own risk and Contech expressly disclaims any liability or responsibility for such use.

If discrepancies between the supplied information upon which the drawing is based and actual field conditions are encountered as work progresses, these discrepancies must be reported to Contech immediately for re-evaluation of the design. Contech accepts no liability for designs based on missing, incomplete or inaccurate information supplied by others.

MARK	DATE	REVISION DESCRIPTION	BY
1	6/30/2022	REVISED PER REVIEWER COMMENTS	SCC

CONTECH
ENGINEERED SOLUTIONS LLC
www.ContechES.com

9025 Centre Pointe Dr., Suite 400, West Chester, OH 45069
800-338-1122 513-645-7000 513-645-7993 FAX

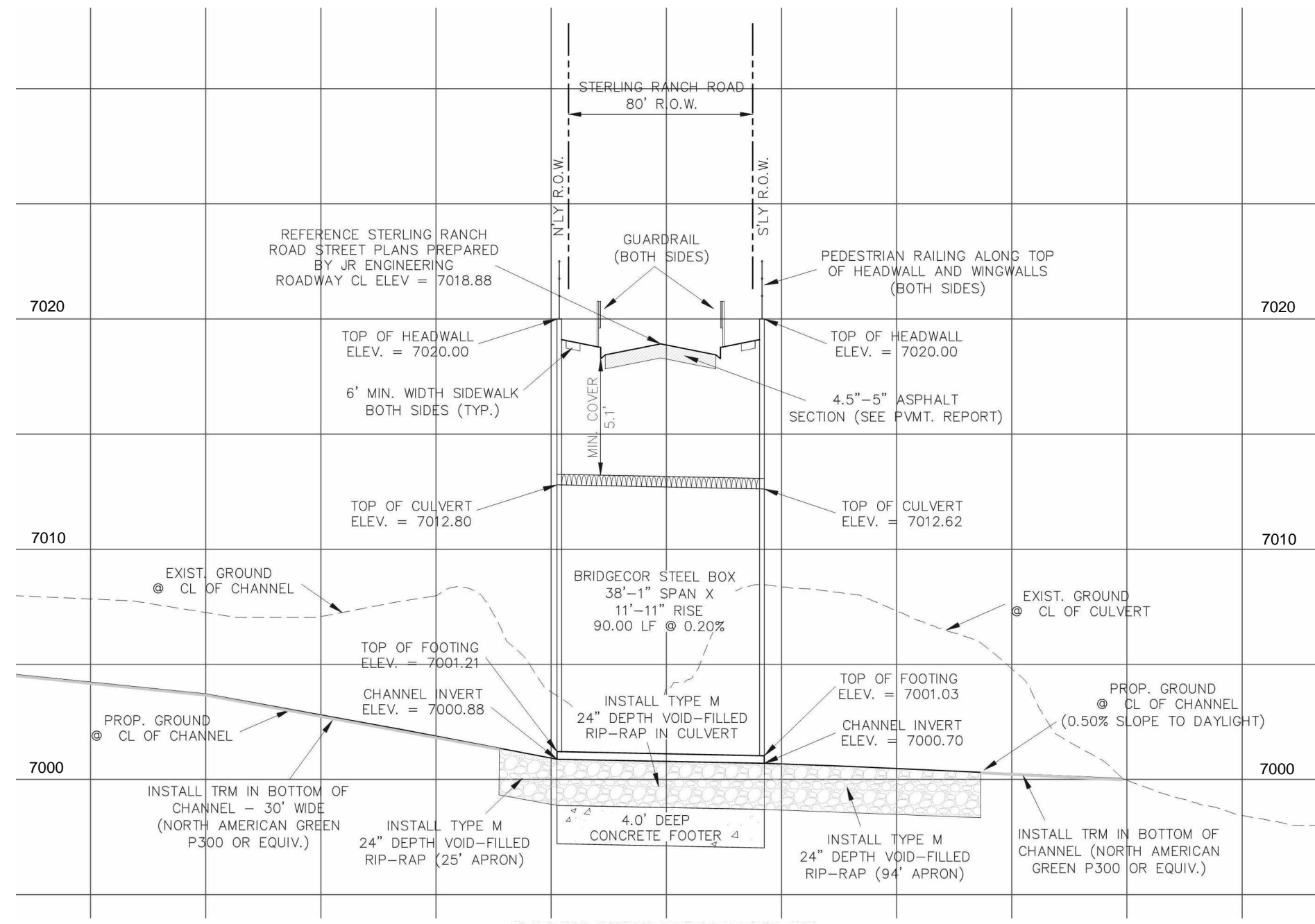
BridgeCor

CONTECH
CONTRACT
DRAWING

**BRIDGECOR STEEL BOX
38'-1" SPAN X 11'-11" RISE
STERLING RANCH ROAD- CO SPRINGS
COLORADO SPRINGS, CO**

PROJECT No: 705931	SEQ No: 010	DATE: 4/6/2022
DESIGNED: XXX	DRAWN: SCC	
CHECKED: EDE	APPROVED: XXX	
SHEET NO: 3 OF 8		

NOTE:
 PRODUCT DETAILS AND SPECIFICATIONS PROVIDED IN THIS DRAWING SUBMITTAL ARE BASED ON PROJECT SPECIFIC PLANS AND SPECIFICATIONS BY "OTHERS" AS SUPPLIED TO CONTECH. FINAL DETERMINATION AS TO THE SUITABILITY OF THIS PRODUCT FOR THE APPLICATION INTENDED IS THE RESPONSIBILITY OF THE PROJECT ENGINEER, CONTRACTOR OR REGULATORY AGENCY. ANY CHANGES TO THESE DETAILS OR SPECIFICATIONS WILL NEED TO BE APPROVED BY "OTHERS" AND NOT CONTECH. THE SHOP DETAILS AND FABRICATIONS ARE SUBJECT TO MANUFACTURERS TOLERANCES.



STERLING RANCH ROAD
 CULVERT CROSSING
 LONGITUDINAL PROFILE

FOR APPROVAL

The design and information shown on this drawing is provided as a service to the project owner, engineer and contractor by Contech Engineered Solutions LLC ("Contech"). Neither the drawing, nor any part thereof, may be used, reproduced or modified in any manner without the prior written consent of Contech. Failure to comply is done at the user's own risk and Contech expressly disclaims any liability or responsibility for such use.

If discrepancies between the supplied information upon which the drawing is based and actual field conditions are encountered as site work progresses, these discrepancies must be reported to Contech immediately for re-evaluation of the design. Contech accepts no liability for designs based on missing, incomplete or inaccurate information supplied by others.

MARK	DATE	REVISION DESCRIPTION	BY
1	6/30/2022	REVISED PER REVIEWER COMMENTS	SCC

CONTECH
 ENGINEERED SOLUTIONS LLC
 www.ContechES.com
 9025 Centre Pointe Dr., Suite 400, West Chester, OH 45069
 800-338-1122 513-645-7000 513-645-7993 FAX

BridgeCor
 CONTECH
 CONTRACT
 DRAWING

BRIDGECOR STEEL BOX
 38'-1" SPAN X 11'-11" RISE
 STERLING RANCH ROAD- CO SPRINGS
 COLORADO SPRINGS, CO

PROJECT No.: 705931	SEQ. No.: 010	DATE: 4/6/2022
DESIGNED: XXX	DRAWN: SCC	
CHECKED: EDE	APPROVED: XXX	
SHEET NO: 4 OF 8		

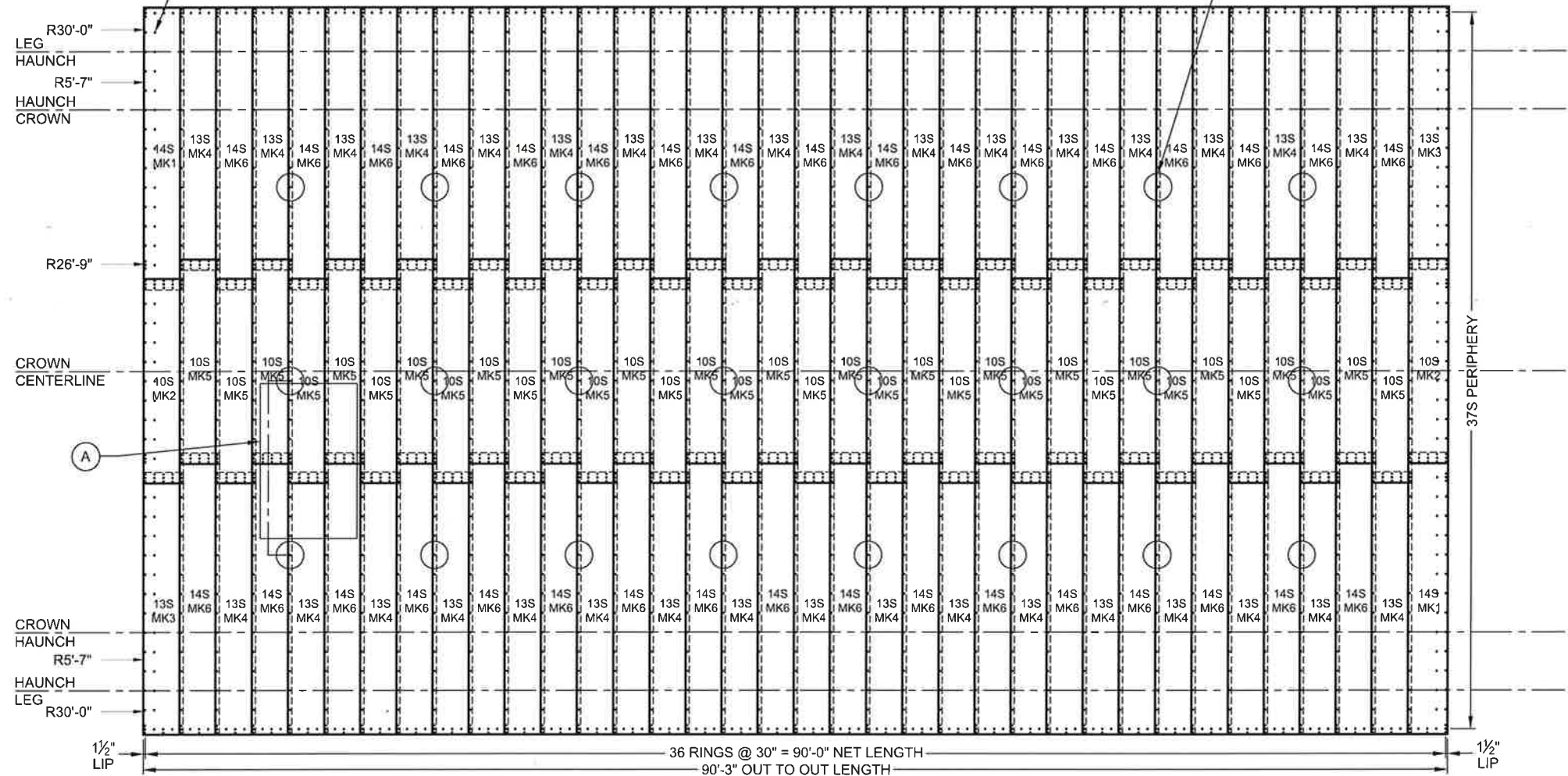
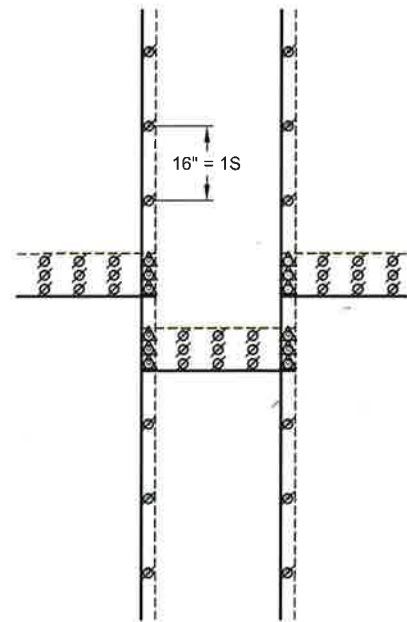
L:\MERLIN\PROJECTS\ACTIVE\705931\05931-10-BRIDGECOR\CONTRACT\PRE-705931-010-BCSB-CON-B.DWG 7/8/2022 3:27 PM

NOTES:

1. ALL COMPONENTS MUST BE ASSEMBLED AS SHOWN. PAY CLOSE ATTENTION TO MARK NUMBERS ON THE COMPONENTS.
2. MANUFACTURING FACILITY: MANSFIELD, TX.
3. REFERENCE FINAL SHEET FOR PLATE LAP DETAIL.

ANCHOR BOLTS PLACED 9" FROM PLATE EDGE @ 16" O.C. IN NEAREST CREST OR VALLEY AS SHOWN QTY OF (72x) (36x EACH SIDE)

MOVEMENT CONTROL HOOKS (QTY. OF 24) FOR SHAPE MONITORING PLACED AT EVERY FOURTH SEAM



**PLATE LAYOUT DRAWING
BRIDGECOR STEEL BOX (OUTSIDE VIEW)
38'-1" SPAN x 11'-11" RISE**



BRIDGECOR PLATE DETAILS (30" LONG PLATES)

PLATE WIDTH "S"	GAGE	PLATE QTY.	MK #	OVERALL WIDTH (INCHES)	NUMBER OF CIRCUMFERENTIAL BOLT HOLES AT 16" CENTERS	PLATE WEIGHT WITHOUT FASTENERS
10	7	36	2 : 5	169	11	381
13	7	36	3 : 4	217	14	512
14	7	36	1 : 6	233	15	549

FOR APPROVAL

The design and information shown on this drawing is provided as a service to the project owner, engineer and contractor by Contech Engineered Solutions LLC ("Contech"). Neither this drawing, nor any part thereof, may be used, reproduced or modified in any manner without the prior written consent of Contech. Failure to comply is done at the user's own risk and Contech expressly disclaims any liability or responsibility for such use.

If discrepancies between the supplied information upon which the drawing is based and actual field conditions are encountered at site work progress, these discrepancies must be reported to Contech immediately for re-evaluation of the design. Contech accepts no liability for designs based on missing, incomplete or inaccurate information supplied by others.

MARK	DATE	REVISION DESCRIPTION	BY
1	6/30/2022	REVISED PER REVIEWER COMMENTS	SCC



9025 Centre Pointe Dr., Suite 400, West Chester, OH 45069
800-338-1122 513-645-7000 513-645-7993 FAX



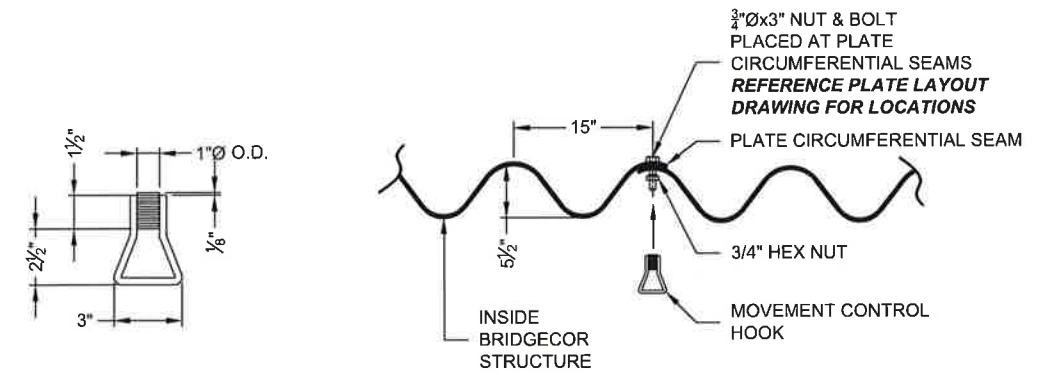
CONTECH CONTRACT DRAWING

BRIDGECOR STEEL BOX
38'-1" SPAN X 11'-11" RISE
STERLING RANCH ROAD- CO SPRINGS
COLORADO SPRINGS, CO

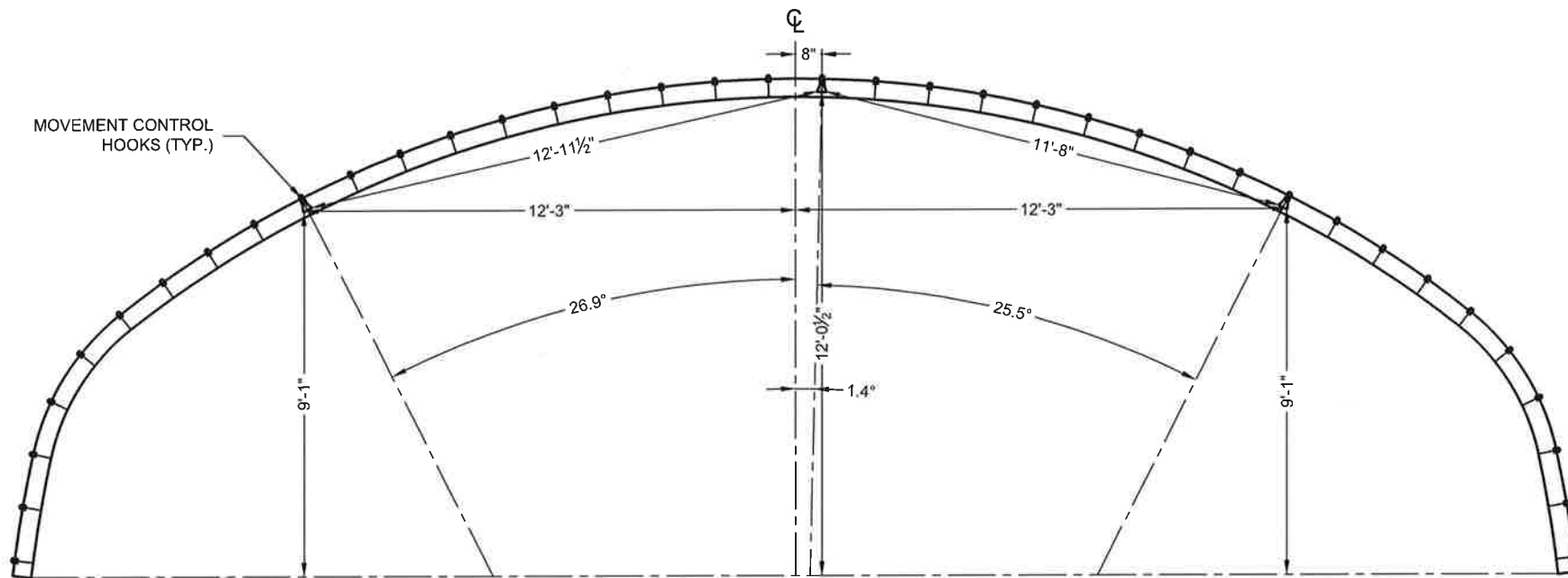
PROJECT No.: 705931	SEQ. No.: 010	DATE: 4/6/2022
DESIGNED: XXX	DRAWN: SCC	
CHECKED: EDE	APPROVED: XXX	
SHEET NO.: 5 OF 8		

NOTES:

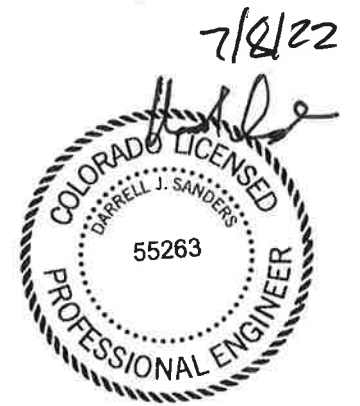
1. REFERENCE PLATE LAYOUT DIAGRAM FOR MOVEMENT CONTROL HOOK LOCATIONS.



MOVEMENT CONTROL HOOK DETAIL



MOVEMENT CONTROL HOOK PLACEMENT DETAIL



FOR APPROVAL

The design and information shown on this drawing is provided as a service to the project owner, engineer and contractor by Contech Engineered Solutions LLC ("Contech"). Neither this drawing, nor any part thereof, may be used, reproduced or modified in any manner without the prior written consent of Contech. Failure to comply is done at the user's own risk and Contech expressly disclaims any liability or responsibility for such use.

If discrepancies between the supplied information upon which the drawing is based and actual field conditions are encountered as site work progresses, these discrepancies must be reported to Contech immediately for re-evaluation of the design. Client/owner accepts no liability for designs based on missing, incomplete or inaccurate information supplied by others.

MARK	DATE	REVISION DESCRIPTION	BY
1	6/30/2022	REVISED PER REVIEWER COMMENTS	SCC

CONTECH
ENGINEERED SOLUTIONS LLC
www.ContechES.com
9025 Centre Pointe Dr., Suite 400, West Chester, OH 45069
800-338-1122 513-645-7000 513-645-7993 FAX

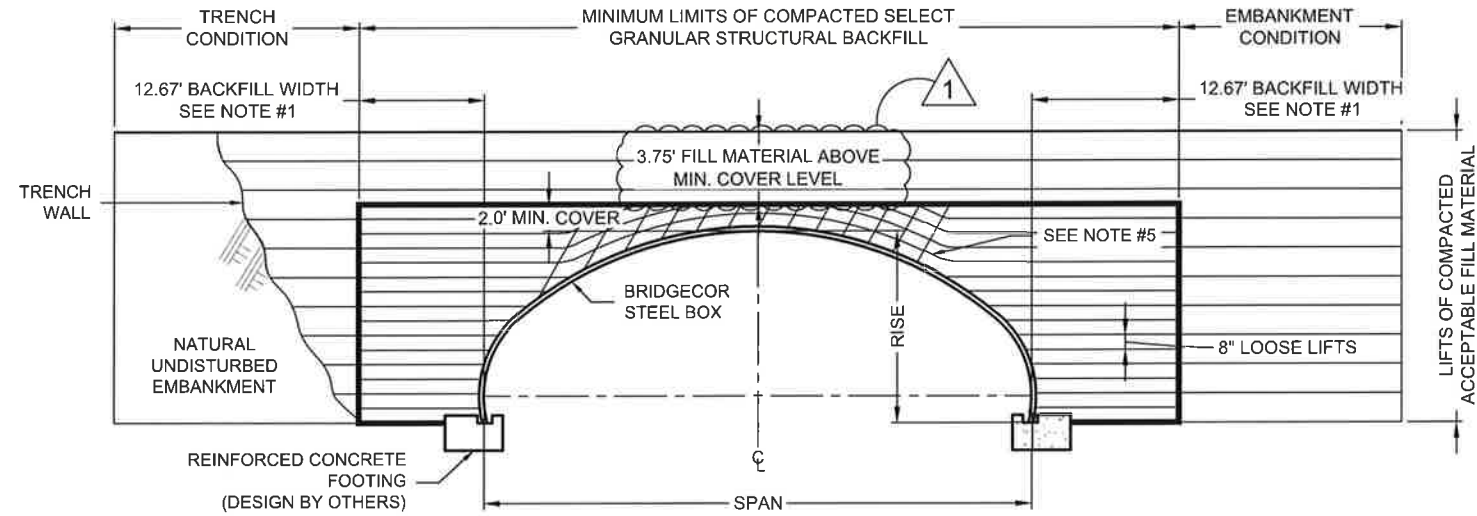
BridgeCor

CONTECH
CONTRACT
DRAWING

BRIDGECOR STEEL BOX
38'-1" SPAN X 11'-11" RISE
STERLING RANCH ROAD- CO SPRINGS
COLORADO SPRINGS, CO

PROJECT No.: 705931	SEQ. No.: 010	DATE: 4/6/2022
DESIGNED: XXX	DRAWN: SCC	
CHECKED: EDE	APPROVED: XXX	
SHEET NO.: 6 OF 8		

I:\MERLIN\PROJECTS\ACTIVE\705931\10-BRIDGECOR\CONTRACT\PRE-705931-10-BRIDGE-CO-SB-DWG 7/8/2022 3:27 PM



SECTION

- NOTES:**
- 1. MINIMUM SELECT GRANULAR STRUCTURAL BACKFILL WIDTH IS BASED ON AASHTO LRFD BRIDGE DESIGN SPECIFICATIONS SECTION 12 AND/OR THE RESULTS OF THE PROJECT SPECIFIC FINITE ELEMENT ANALYSIS.
 - 2. ALL SELECT GRANULAR STRUCTURAL BACKFILL TO BE PLACED IN A BALANCED FASHION IN THIN LIFTS (8" LOOSE TYPICALLY) AND COMPACTED TO 90 PERCENT DENSITY PER AASHTO T-180.
 - 3. MONITORING OF THE STEEL BOX STRUCTURE IS REQUIRED DURING THE BACKFILLING PROCESS. THE METHOD, FREQUENCY AND DURATION SHALL BE DETERMINED BASED ON THE SIZE AND SHAPE OF THE STRUCTURE.
 - 4. PREVENT DISTORTION OF SHAPE AS NECESSARY BY VARYING COMPACTION METHODS AND EQUIPMENT.
 - 5. PLACE SELECT GRANULAR STRUCTURAL BACKFILL IN RADIAL LIFTS AT APPROXIMATELY 75% OF THE RISE OF THE STEEL BOX STRUCTURE.
 - 6. BECAUSE OF THE FLEXING AND VIBRATION OF THE CROWN PLATES, THE FULL COMPACTION DENSITY LEVELS OFTEN CAN NOT BE ACHIEVED IN THE FIRST SEVERAL INCHES OF FILL OVER THE CROWN.

BASED ON A PROJECT SPECIFIC ANALYSIS GAGE TO BE 7, BACKFILL MATERIAL TO BE A-1, COMPACTED TO 90 % PER AASHTO T-180.

IF OTHER BACKFILL MATERIALS ARE TO BE EVALUATED, CONTACT YOUR LOCAL CONTECH REPRESENTATIVE.

ADDITIONAL SELECT GRANULAR STRUCTURAL BACKFILL NOTES:

SATISFACTORY BACKFILL MATERIAL, PROPER PLACEMENT, AND COMPACTION ARE KEY FACTORS IN OBTAINING MAXIMUM STRENGTH AND STABILITY.

THE BACKFILL MATERIAL SHOULD BE FREE OF ROCKS, FROZEN LUMPS, AND FOREIGN MATERIAL THAT COULD CAUSE HARD SPOTS OR DECOMPOSE TO CREATE VOIDS. BACKFILL MATERIAL SHOULD BE WELL GRADED GRANULAR MATERIAL THAT MEETS THE REQUIREMENTS OF THE PROJECT SPECIFIC ANALYSIS NOTED BELOW. REFERENCE THE STRUCTURAL PLATE BACKFILL GROUP CLASSIFICATION TABLE ON THIS SHEET. RECYCLED CONCRETE/SLAG ARE NOT RECOMMENDED FOR STRUCTURAL BACKFILL MATERIAL. BACKFILL MUST BE PLACED SYMMETRICALLY ON EACH SIDE OF THE STRUCTURE IN 8" LOOSE LIFTS. EACH LIFT IS TO BE COMPACTED TO THE SPECIFIED DENSITY.

A HIGH PERCENTAGE OF SILT OR FINE SAND IN THE NATIVE SOILS SUGGESTS THE NEED FOR A WELL GRADED GRANULAR BACKFILL MATERIAL TO PREVENT SOIL MIGRATION. IF THE PROPOSED BACKFILL IS NOT A WELL GRADED GRANULAR MATERIAL, A NON-WOVEN GEOTEXTILE FILTER FABRIC SHALL BE PLACED BETWEEN THE SELECT BACKFILL AND THE IN SITU MATERIAL.

DURING BACKFILL, ONLY LIGHTWEIGHT TRACKED VEHICLES (D-4 OR LIGHTER) SHOULD BE NEAR THE STRUCTURE AS FILL PROGRESSES ABOVE THE CROWN AND TO THE FINISHED GRADE. THE ENGINEER AND CONTRACTOR ARE CAUTIONED THAT THE MINIMUM COVER MAY NEED TO BE INCREASED TO HANDLE TEMPORARY CONSTRUCTION VEHICLE LOADS (HEAVIER THAN D-4).

STRUCTURAL PLATE BACKFILL GROUP CLASSIFICATION, REFERENCE AASHTO M-145		
GROUP CLASSIFICATION	A-1-a	A-1-b
Sieve Analysis Percent Passing		
No. 10 (2.000 mm)	50 max.	---
No. 40 (0.425 mm)	30 max.	50 max.
No. 200 (0.075 mm)	15 max.	25 max.
Atterberg Limits for Fraction Passing No. 40 (0.425 mm)		
Liquid Limits	---	---
Plasticity Index	6 max.	6 max.
Usual Materials	Stone Fragment, Gravel and Sand	

*Modified from AASHTO M-145.

Fine beach sands, windblown sands, stream deposited sands, etc., exhibiting fine, rounded particles and typically classified by AASHTO M-145 as A-3 Materials should not be used.

If 95% Compaction per AASHTO T-180 is specified, the backfill material shall be a A-1-a.

Reference the most current version of ASTM D2487, Standard Practice for Classification of Soils for Engineering Purposes (Unified Soil Classification System), for comparable soil groups.



FOR APPROVAL

The design and information shown on this drawing is provided as a service to the project owner, engineer and contractor by Contech Engineered Solutions LLC ("Contech"). Neither this drawing, nor any part thereof, may be used, reproduced or modified in any manner without the prior written consent of Contech. Failure to comply is done at the user's own risk and Contech expressly disclaims any liability or responsibility for such use.

If discrepancies between the supplied information upon which the drawing is based and actual field conditions are encountered as site work progresses, these discrepancies must be reported to Contech immediately for re-evaluation of the design. Contech accepts no liability for designs based on missing, incomplete or inaccurate information supplied by others.

MARK	DATE	REVISION DESCRIPTION	BY
1	6/30/2022	REVISED PER REVIEWER COMMENTS	SCC

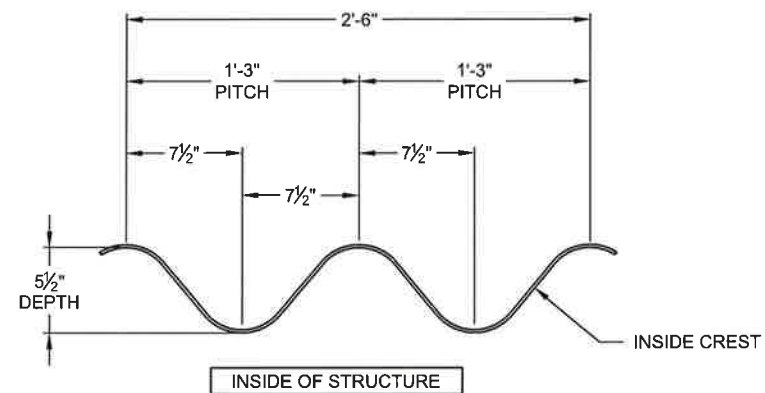
CONTECH
ENGINEERED SOLUTIONS LLC
www.ContechES.com
9025 Centre Pointe Dr., Suite 400, West Chester, OH 45069
800-338-1122 513-645-7000 513-645-7993 FAX

BridgeCor
CONTECH CONTRACT DRAWING

BRIDGECOR STEEL BOX
38'-1" SPAN X 11'-11" RISE
STERLING RANCH ROAD- CO SPRINGS
COLORADO SPRINGS, CO

PROJECT No.: 705931	SEQ. No.: 010	DATE: 4/6/2022
DESIGNED: XXX	DRAWN: SCC	
CHECKED: EDE	APPROVED: XXX	
SHEET NO.: 7 OF 8		

I:\MERLIN\PROJECTS\ACTIVE\705931\10-BRIDGECOR\CONTRACT\PRE-705931-010-BCSB-CO-N-6.DWG 7/8/2022 3:27 PM



BRIDGECOR CORRUGATION PROFILE

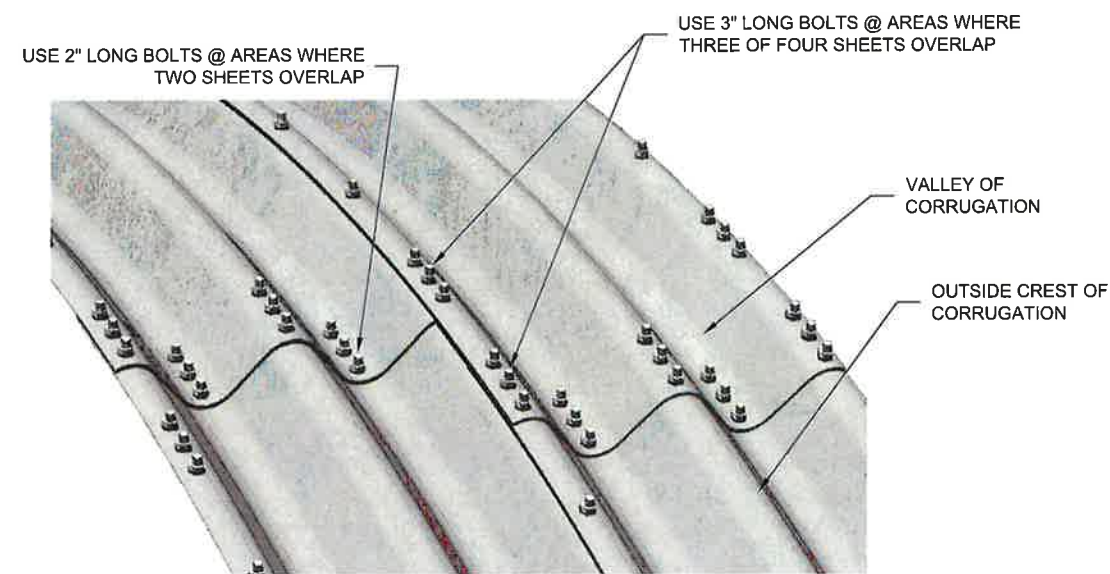
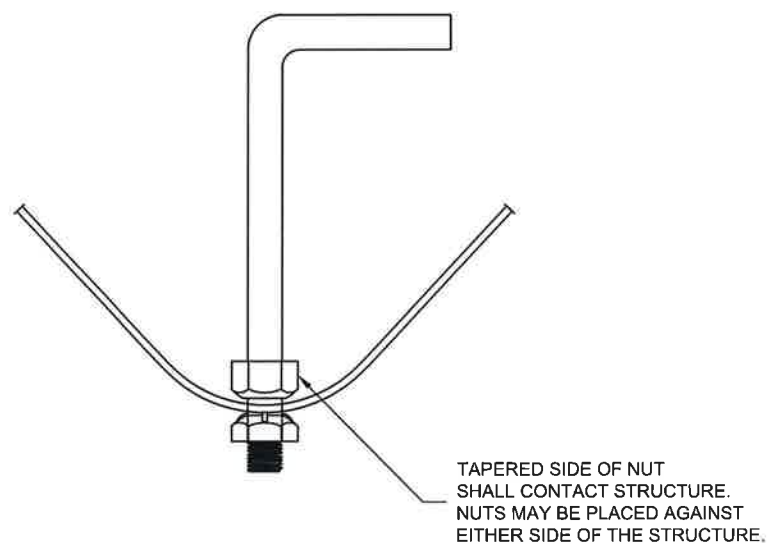
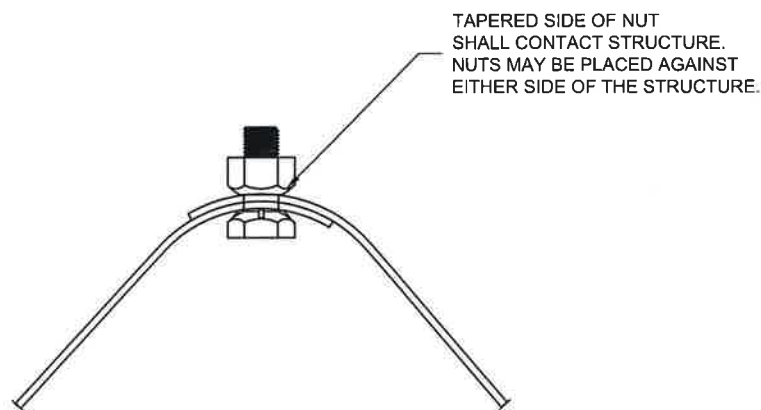


PLATE LAP DETAIL



ANCHOR BOLT BOLTING DETAIL



TYPICAL BOLTING DETAIL

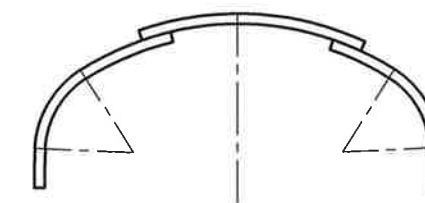


PLATE LAPPING DETAIL (LOOKING DOWNSTREAM)



FOR APPROVAL

I:\MERLIN\PROJECTS\1705931\10-BRIDGECOR\CONTRACT\PRE-705931-010-ECSB-CO-N-B.DWG 7/8/2022 3:27 PM

The design and information shown on this drawing is provided as a service to the project owner, engineer and contractor by Contech Engineered Solutions LLC ("Contech"). Neither this drawing, nor any part thereof, may be used, reproduced or modified in any manner without the prior written consent of Contech. Failure to comply is done at the user's own risk and Contech expressly disclaims any liability or responsibility for such use.

If discrepancies between the supplied information upon which the drawing is based and actual field conditions are encountered as site work progresses, these discrepancies must be reported to Contech immediately for re-evaluation of the design. Contech accepts no liability for designs based on missing, incomplete or inaccurate information supplied by others.

MARK	DATE	REVISION DESCRIPTION	BY
1	6/30/2022	REVISED PER REVIEWER COMMENTS	SCC

CONTECH
ENGINEERED SOLUTIONS LLC
www.ContechES.com
9025 Centre Pointe Dr., Suite 400, West Chester, OH 45069
800-338-1122 513-645-7000 513-645-7993 FAX

BridgeCor

CONTECH
CONTRACT
DRAWING

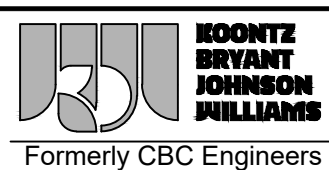
BRIDGECOR STEEL BOX
38'-1" SPAN X 11'-11" RISE
STERLING RANCH ROAD- CO SPRINGS
COLORADO SPRINGS, CO

PROJECT No.: 705931	SEQ. No.: 010	DATE: 4/6/2022
DESIGNED: XXX	DRAWN: SCC	
CHECKED: EDE	APPROVED: XXX	
SHEET NO.: 8 OF 8		

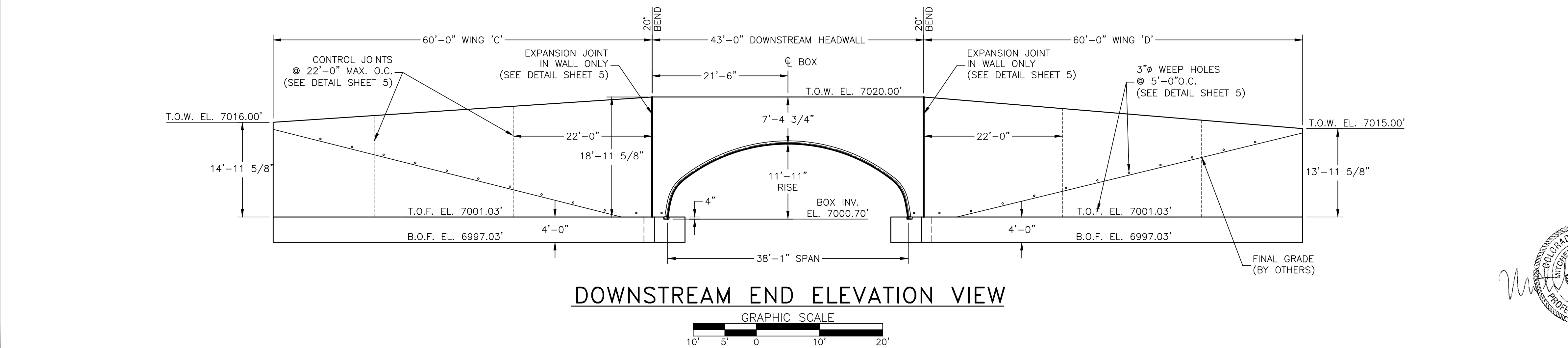
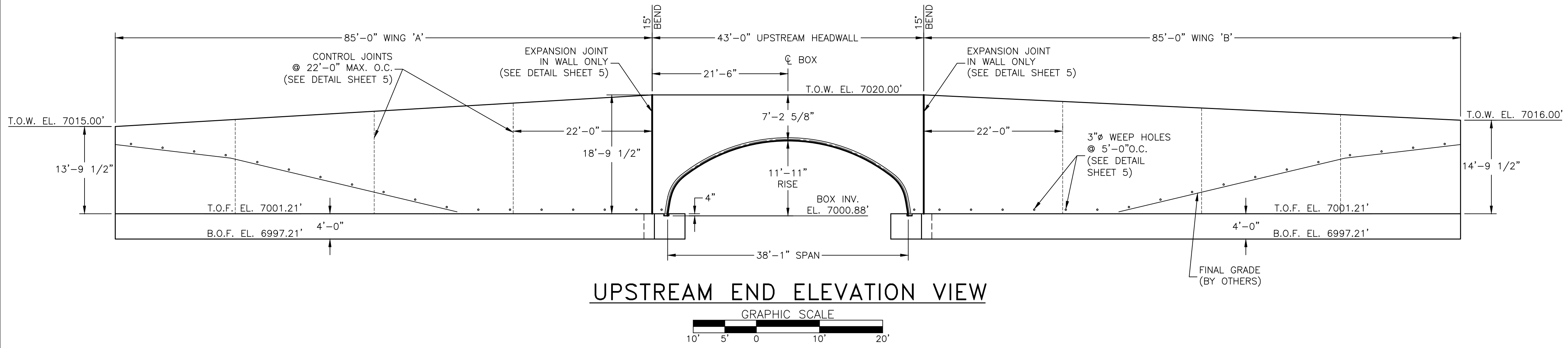
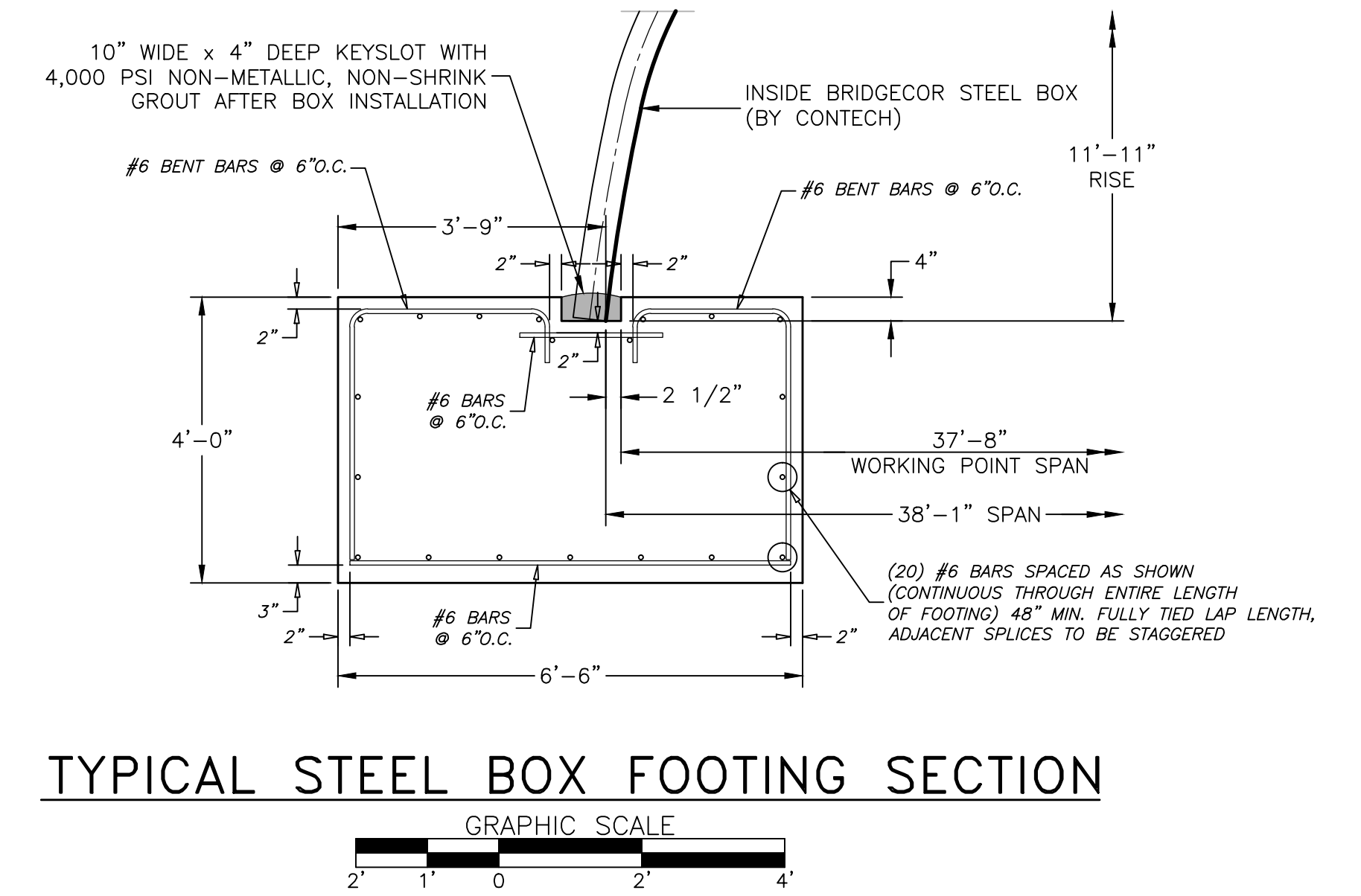
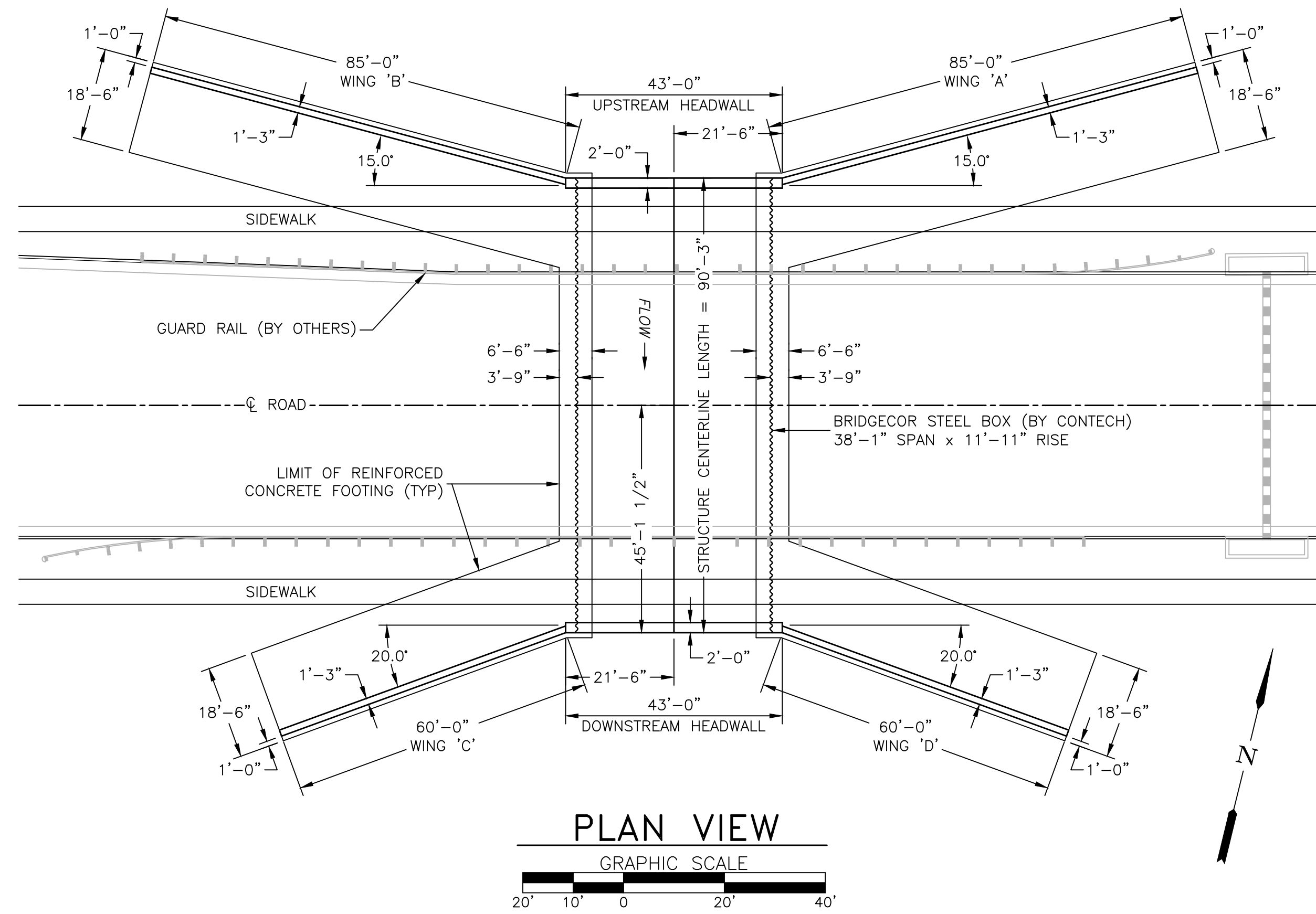
CONTECH ENGINEERED SOLUTIONS, LLC

Design of Concrete Spread Footing Foundations, Concrete Headwalls and Wingwalls for a BridgeCOR Steel Box (705931); Sterling Ranch Road, El Paso County, Colorado

INDEX	
1.	TITLE SHEET / INDEX
2.	PLAN, ELEVATIONS & FOOTING DETAIL
3.	UPSTREAM HEADWALL DETAILS
4.	DOWNSTREAM HEADWALL DETAILS
5.	WINGWALL SECTION & TYPICAL DETAILS
6.	SPECIFICATIONS

2	7/5/22	DJH	REVISION 2		
1	6/10/22	DJH	REVISION 1		
					
TITLE SHEET / INDEX					
Drawn By	Date	CONTECH ENGINEERED SOLUTIONS, LLC Design of Concrete Spread Footing Foundations, Concrete Headwalls and Wingwalls for a BridgeCOR Steel Box (705931); Sterling Ranch Road, El Paso County, Colorado			
D.J.H.	4/18/22				
Approved By	Date	Project No.	Rev.	Sheet	
		KBJW-24879	2	1 OF 6	

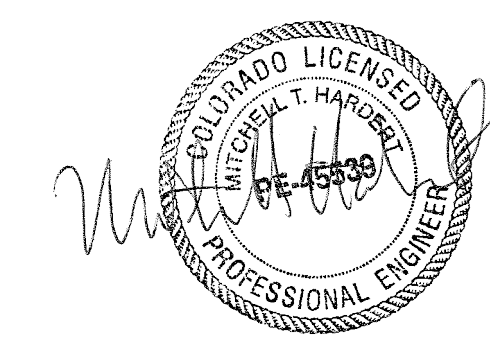


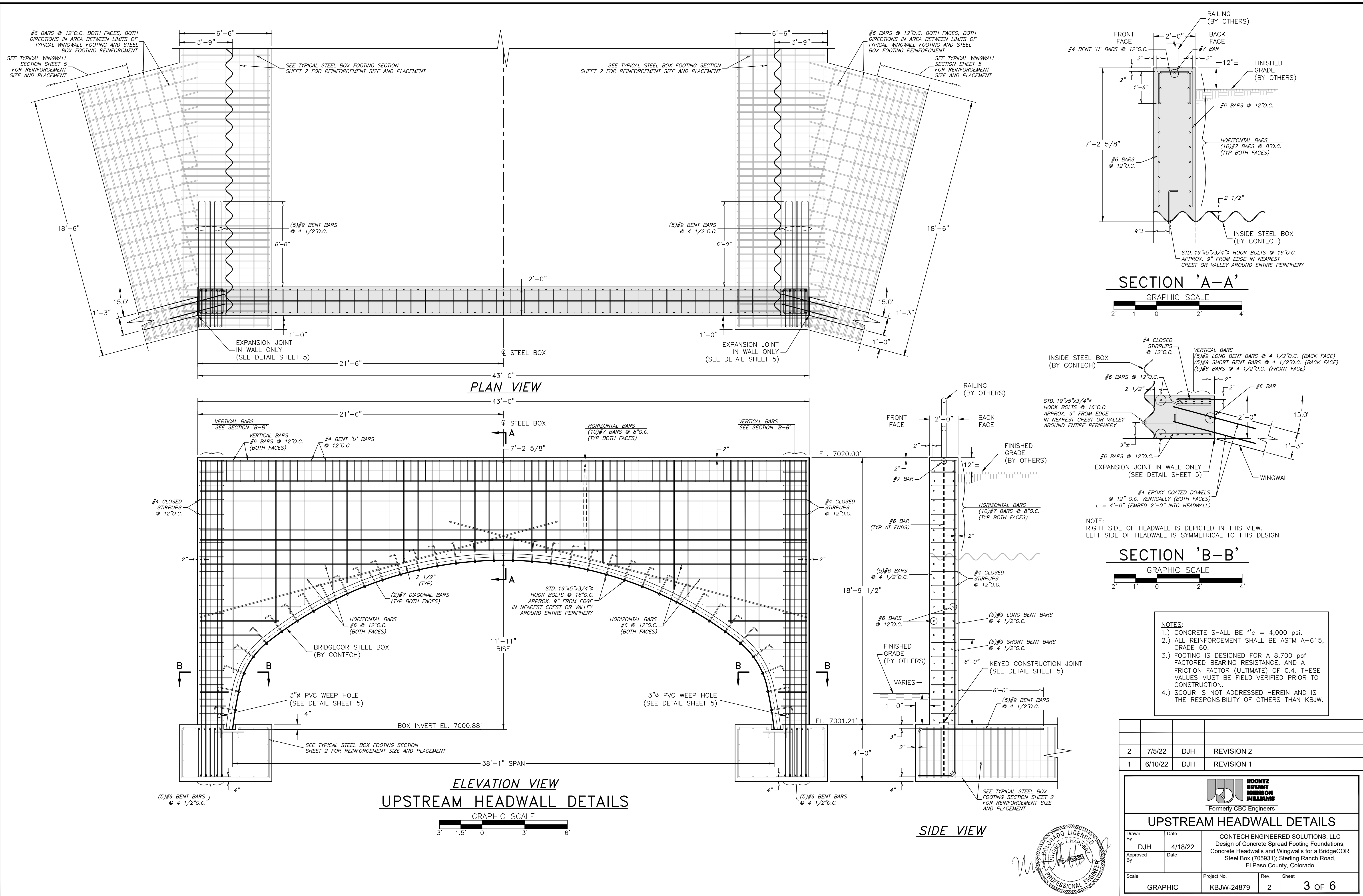


- NOTES:**
- 1.) CONCRETE SHALL BE $f'_c = 4,000$ psi.
 - 2.) ALL REINFORCEMENT SHALL BE ASTM A-615, GRADE 60.
 - 3.) FOOTING IS DESIGNED FOR A 8,700 psf FACTORED BEARING RESISTANCE, AND A FRICTION FACTOR (ULTIMATE) OF 0.4. THESE VALUES MUST BE FIELD VERIFIED PRIOR TO CONSTRUCTION.
 - 4.) SCOUR IS NOT ADDRESSED HEREIN AND IS THE RESPONSIBILITY OF OTHERS THAN KBW.

2	7/5/22	DJH	REVISION 2
1	6/10/22	DJH	REVISION 1

PLAN, ELEVATIONS & FOOTING DETAIL			
Drawn By DJH	Date 4/18/22	CONTECH ENGINEERED SOLUTIONS, LLC Design of Concrete Spread Footing Foundations, Concrete Headwalls and Wingwalls for a BridgeCOR Steel Box (705931); Sterling Ranch Road, El Paso County, Colorado	
Approved By	Date	Project No. KBW-24879	Rev. 2
Scale GRAPHIC			Sheet 2 OF 6



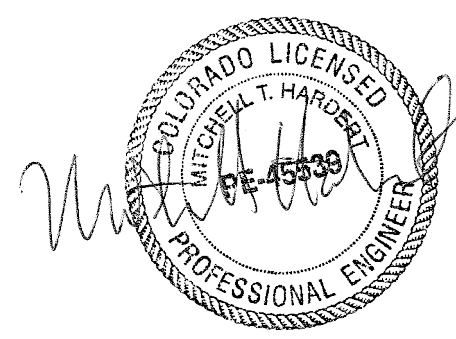


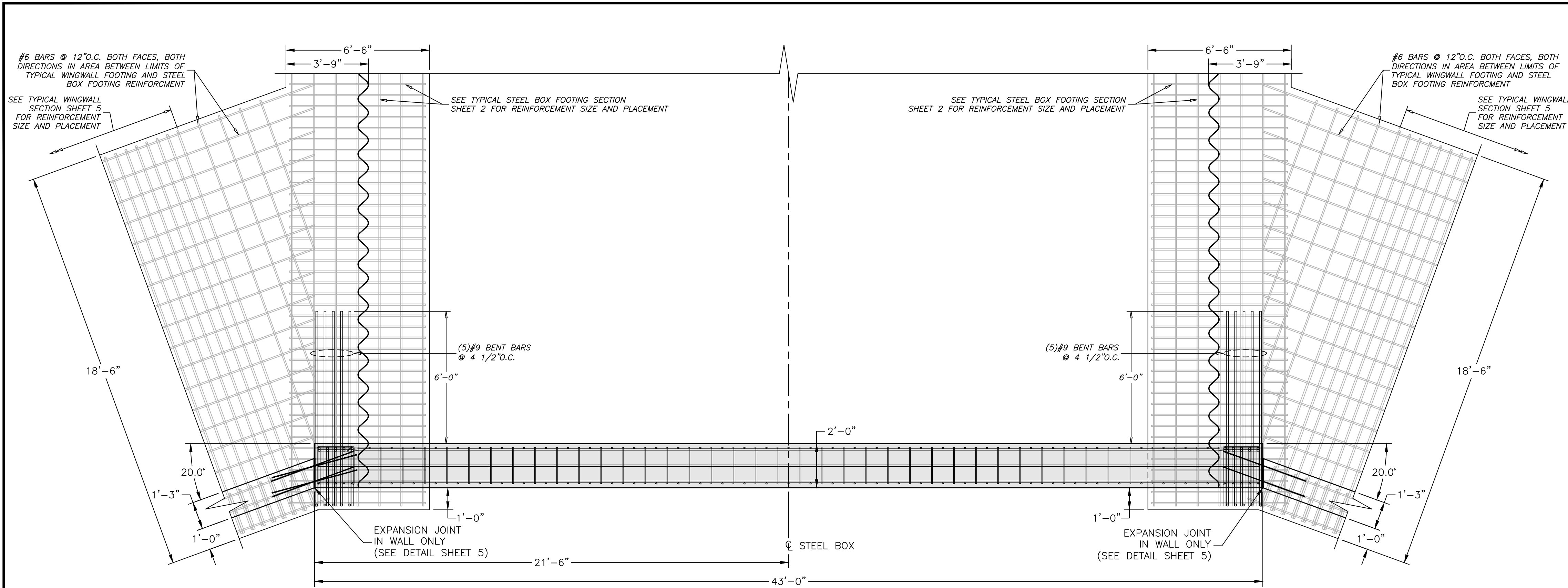
- NOTES:**
- 1.) CONCRETE SHALL BE $f'c = 4,000$ psi.
 - 2.) ALL REINFORCEMENT SHALL BE ASTM A-615, GRADE 60.
 - 3.) FOOTING IS DESIGNED FOR A 8,700 psf FACTORED BEARING RESISTANCE, AND A FRICTION FACTOR (ULTIMATE) OF 0.4. THESE VALUES MUST BE FIELD VERIFIED PRIOR TO CONSTRUCTION.
 - 4.) SCOUR IS NOT ADDRESSED HEREIN AND IS THE RESPONSIBILITY OF OTHERS THAN KBJW.

2	7/5/22	DJH	REVISION 2
1	6/10/22	DJH	REVISION 1

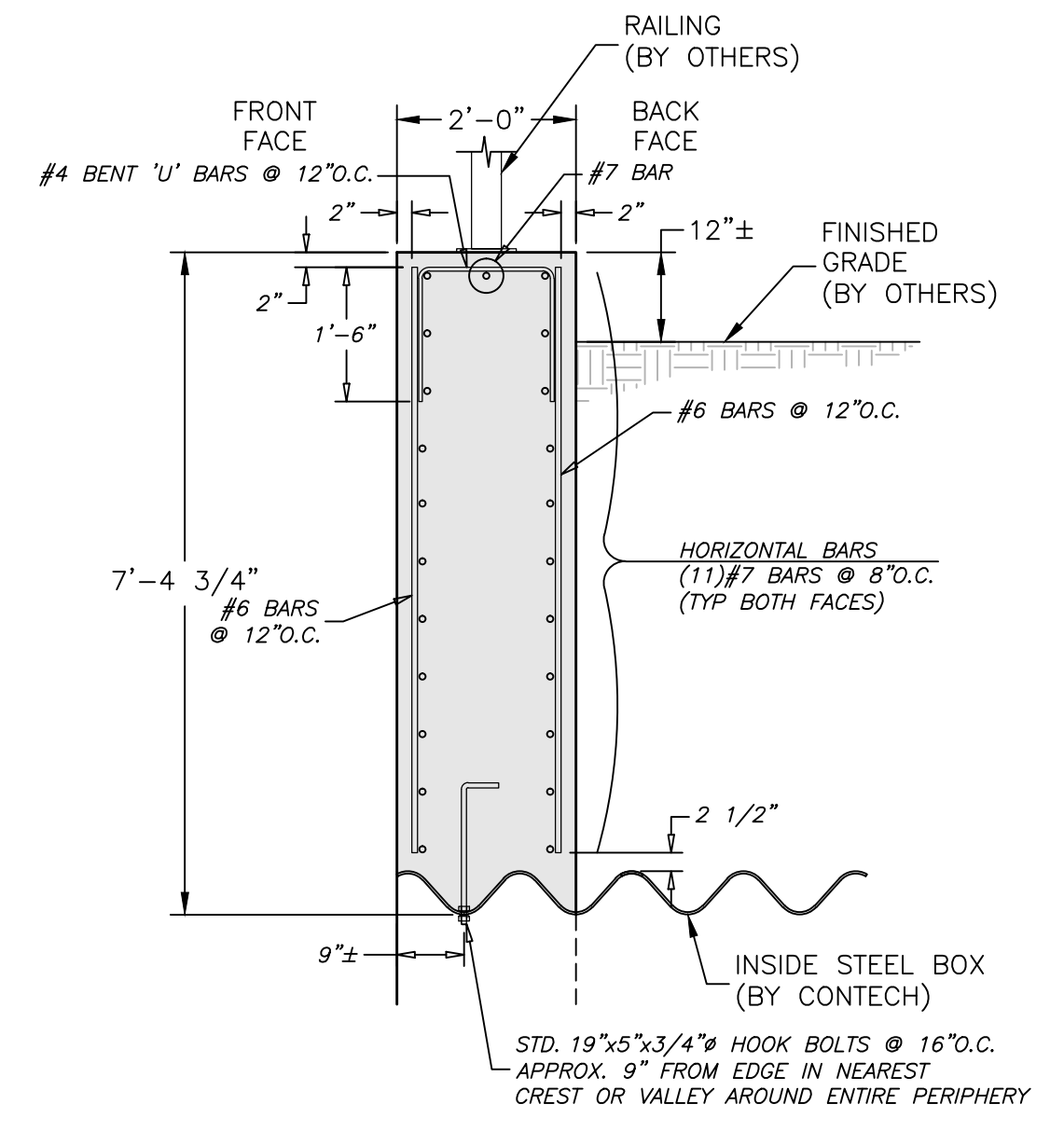
UPSTREAM HEADWALL DETAILS

Drawn By DJH	Date 4/18/22	CONTECH ENGINEERED SOLUTIONS, LLC Design of Concrete Spread Footing Foundations, Concrete Headwalls and Wingwalls for a BridgeCOR Steel Box (705931); Sterling Ranch Road, El Paso County, Colorado	
Approved By	Date	Project No. KB JW-24879	Rev. Sheet 2 3 OF 6

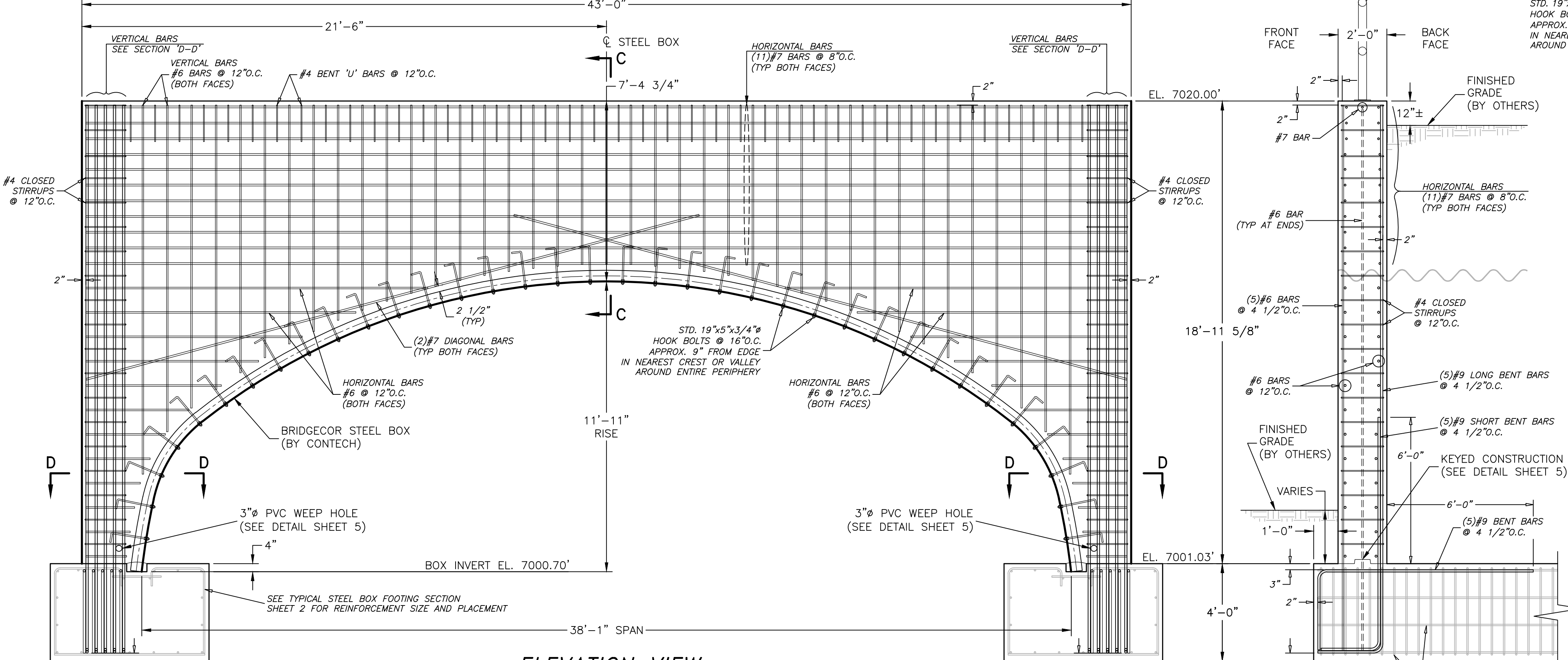




PLAN VIEW

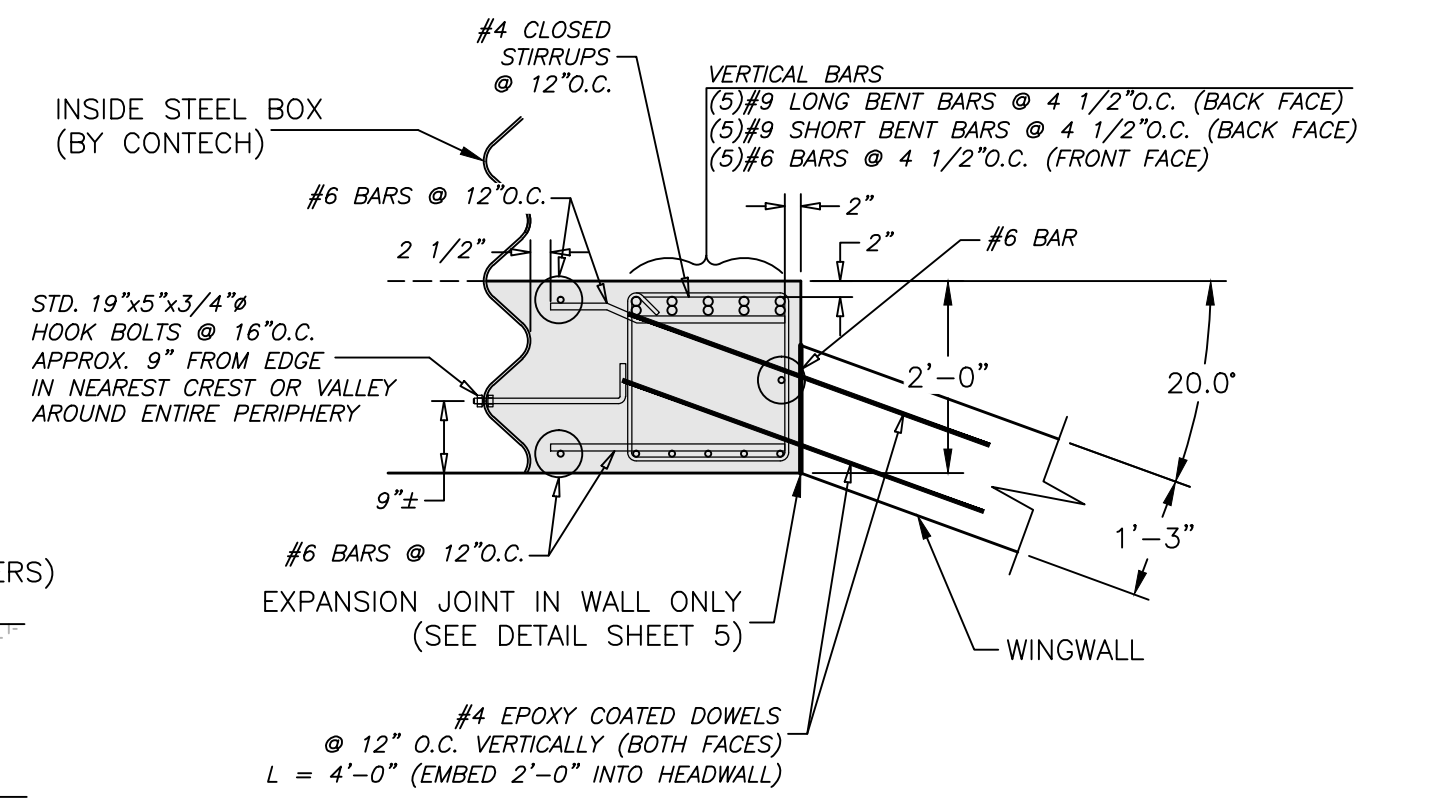


SECTION 'C-C'



**ELEVATION VIEW
DOWNSTREAM HEADWALL DETAILS**

SIDE VIEW



SECTION 'D-D'

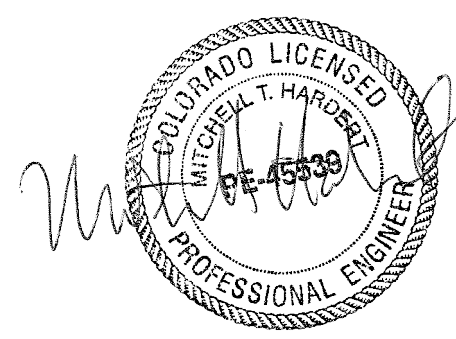
- NOTES:**
- 1.) CONCRETE SHALL BE $f'c = 4,000$ psi.
 - 2.) ALL REINFORCEMENT SHALL BE ASTM A-615, GRADE 60.
 - 3.) FOOTING IS DESIGNED FOR A 8,700 psf FACTORED BEARING RESISTANCE, AND A FRICTION FACTOR (ULTIMATE) OF 0.4. THESE VALUES MUST BE FIELD VERIFIED PRIOR TO CONSTRUCTION.
 - 4.) SCOUR IS NOT ADDRESSED HEREIN AND IS THE RESPONSIBILITY OF OTHERS THAN KBJW.

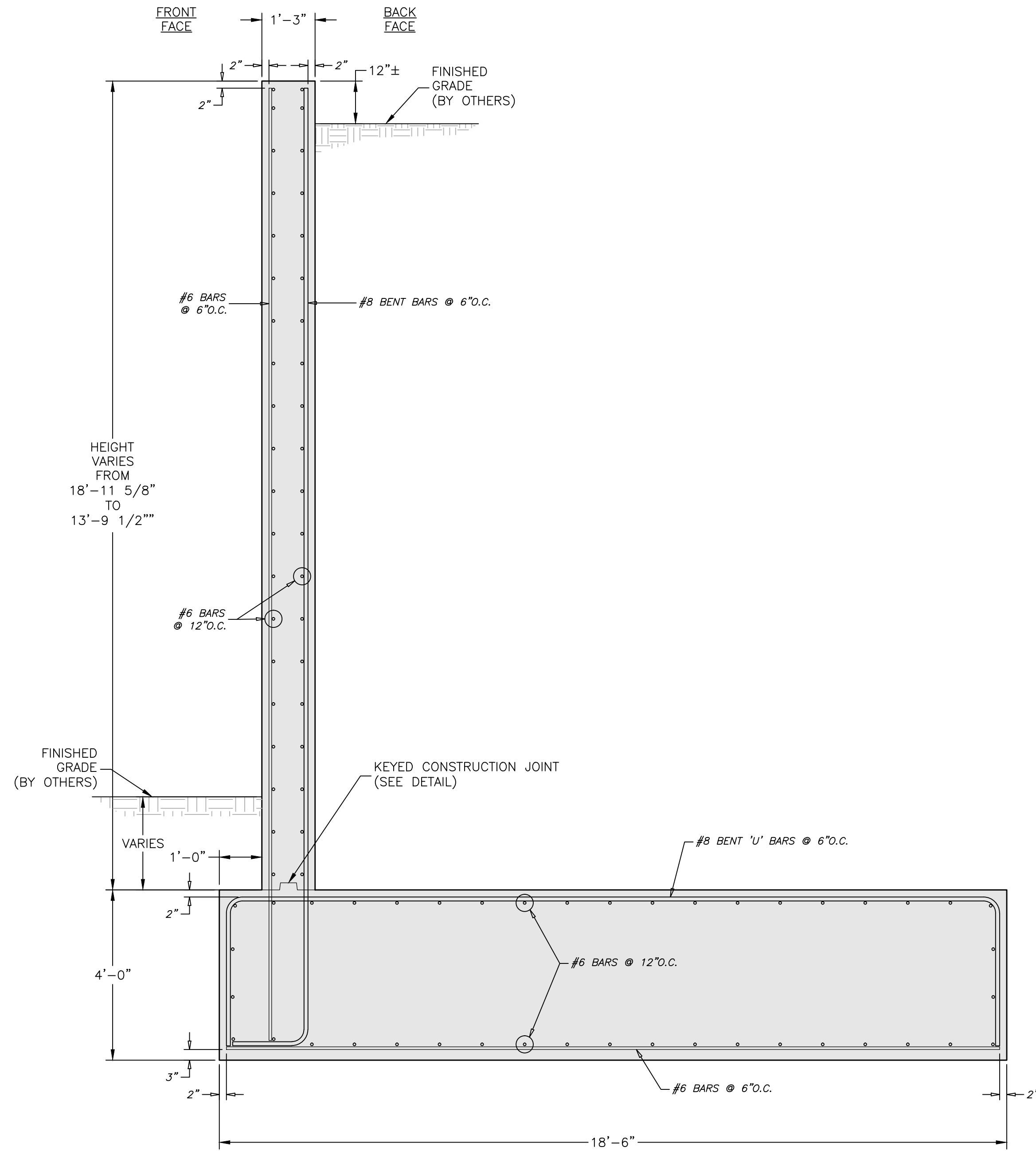
2	7/5/22	DJH	REVISION 2
1	6/10/22	DJH	REVISION 1

**MOONTZ
BRYANT
JOHNSON
WILLIAMS**
Formerly CBC Engineers

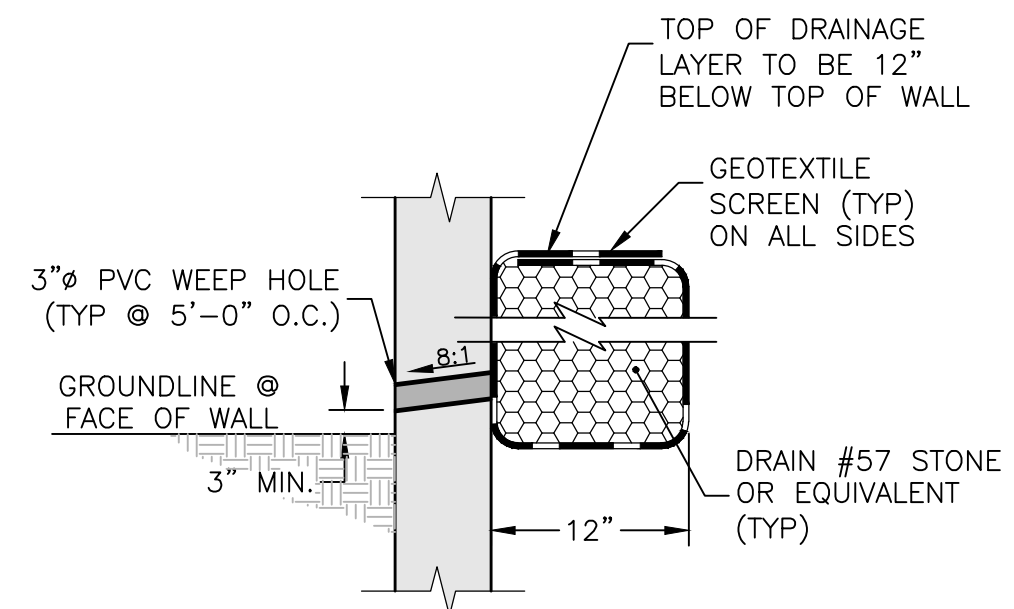
DOWNSTREAM HEADWALL DETAILS

Drawn By DJH	Date 4/18/22	CONTECH ENGINEERED SOLUTIONS, LLC Design of Concrete Spread Footing Foundations, Concrete Headwalls and Wingwalls for a BridgeCOR Steel Box (705931); Sterling Ranch Road, El Paso County, Colorado	
Approved By	Date	Project No. KBJW-24879	Rev. 2
Scale GRAPHIC	Sheet 4 OF 6		

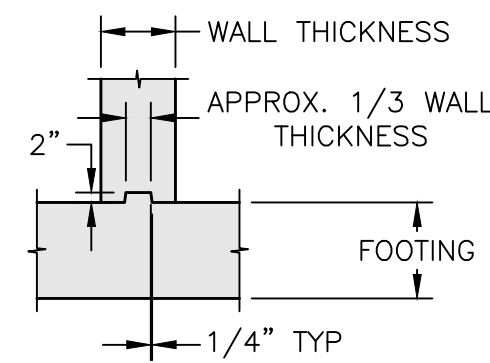




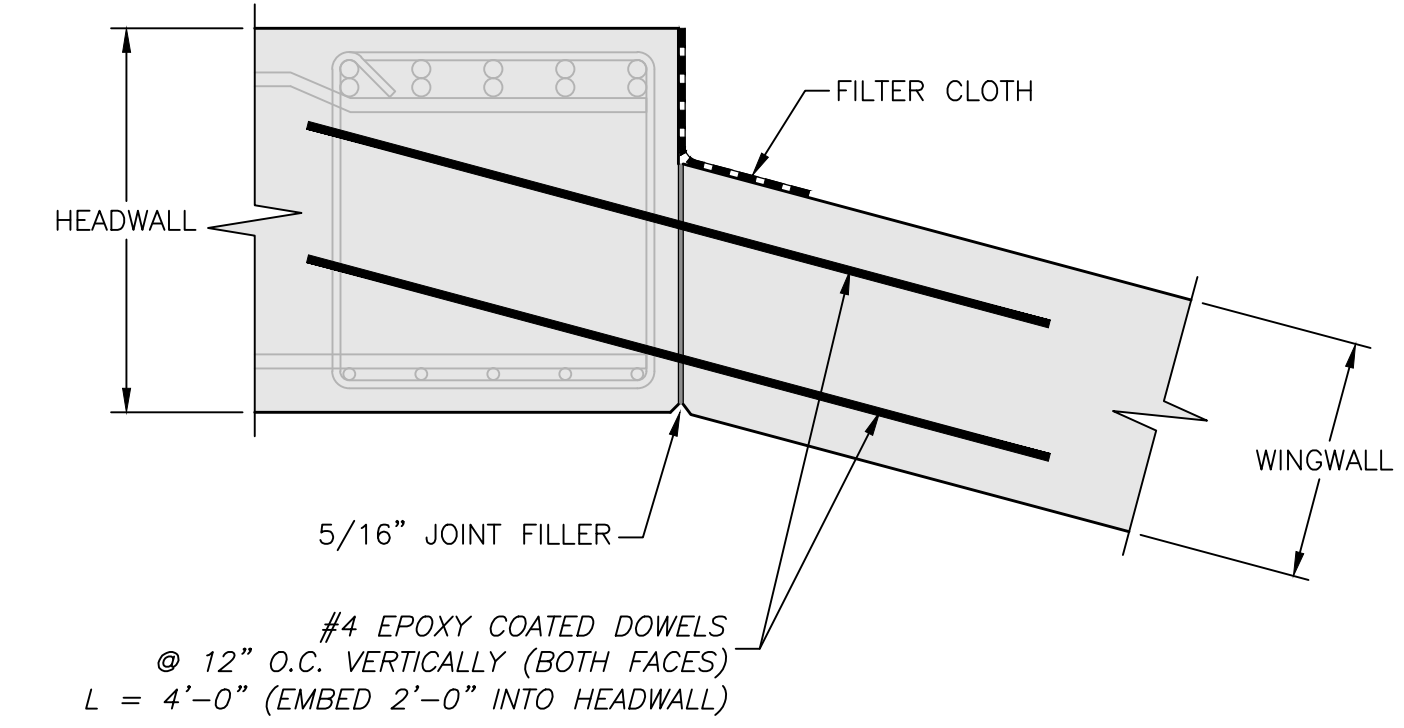
TYPICAL WINGWALL SECTION VIEW



WEEP HOLE DETAIL
NOT TO SCALE

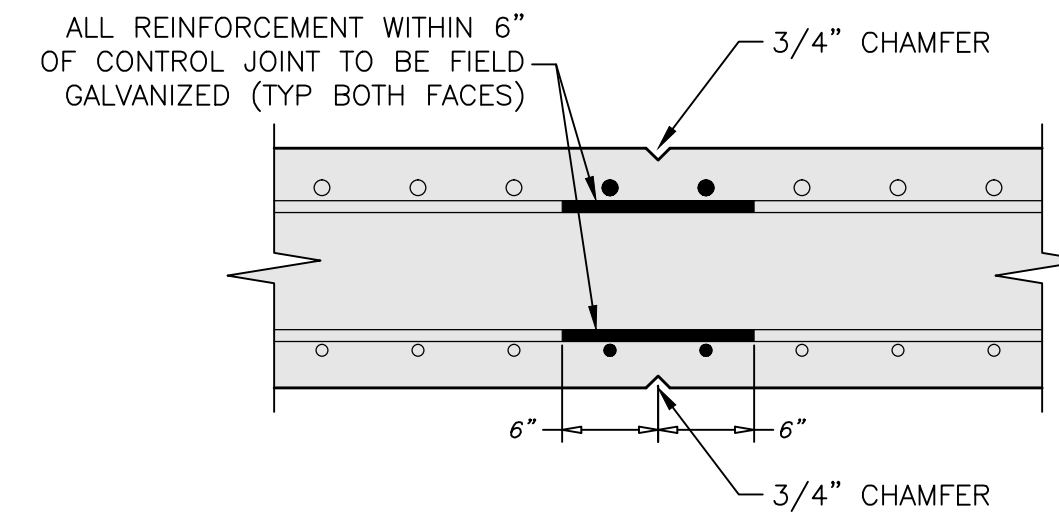


KEYED CONSTRUCTION JOINT DETAIL
NOT TO SCALE



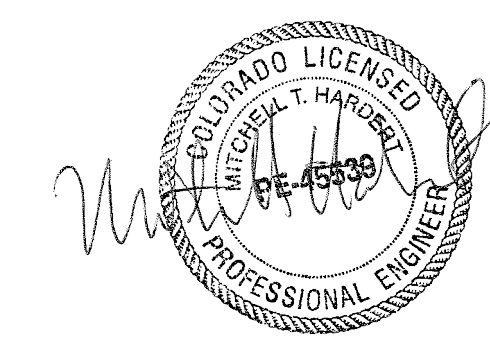
EXPANSION JOINT DETAIL
NOT TO SCALE

NOTES FOR EXPANSION JOINT:
A FILTER CLOTH THREE FEET IN WIDTH AND DOUBLE THICKNESS SHALL BE APPLIED TO ALL TRANSVERSE JOINTS IN THE FOOTING AND WALLS. THE MATERIAL SHALL BE CENTERED ON THE JOINT AND THE EDGES SEALED WITH A MASTIC OR WITH TWO SIDED TAPE. THE FILTER CLOTH SHALL BE A GEOTEXTILE MEETING THE APPROVAL OF THE ENGINEER.



CONTROL JOINT TYPICAL DETAIL
(@ 22'-0" MAX.)
NO SCALE

- NOTES:
- 1.) CONCRETE SHALL BE $f'_c = 4,000$ psi.
 - 2.) ALL REINFORCEMENT SHALL BE ASTM A-615, GRADE 60.
 - 3.) FOOTING IS DESIGNED FOR A 8,700 psf FACTORED BEARING RESISTANCE, AND A FRICTION FACTOR (ULTIMATE) OF 0.4. THESE VALUES MUST BE FIELD VERIFIED PRIOR TO CONSTRUCTION.
 - 4.) SCOUR IS NOT ADDRESSED HEREIN AND IS THE RESPONSIBILITY OF OTHERS THAN KBJW.



2	7/5/22	DJH	REVISION 2
1	6/10/22	DJH	REVISION 1

WINGWALL SECTION & TYPICAL DETAILS			
Drawn By DJH	Date 4/18/22	CONTECH ENGINEERED SOLUTIONS, LLC Design of Concrete Spread Footing Foundations, Concrete Headwalls and Wingwalls for a BridgeCOR Steel Box (705931); Sterling Ranch Road, El Paso County, Colorado	
Approved By	Date	Scale GRAPHIC	Project No. KBJW-24879
		Rev. 2	Sheet 5 OF 6

I – GENERAL

1.0 STANDARDS AND DEFINITIONS

1.1 STANDARDS - All standards refer to latest edition unless otherwise noted.

- 1.1.1 ASTM D-698-70 (Method C) "Standard Test Methods for Moisture, Density Relations of Soils and Soil Aggregate Mixtures Using 5.5-lb (2.5 kg.) Rammer and 12-inch (305-mm) Drop".
- 1.1.2 ASTM D-2922 "Standard Test Method for Density of Soil and Soil Aggregate in Place by Nuclear methods (Shallow Depth)".
- 1.1.3 ASTM D-1556 "Standard Test Method for Density of Soil in place by the Sand-Cone Method".
- 1.1.4 ASTM D-1557 "Standard Test Method for Laboratory Compaction Characteristics of Soil Using Modified Effort."
- 1.1.5 All construction and materials shall be in accordance with the latest AASHTO LRFD Bridge Design Specifications.

1.2 DEFINITIONS

- 1.2.1 Owner - In these specifications the word "Owner" shall mean El Paso County, Colorado
- 1.2.2 Engineer - In these specifications the word "Engineer" shall mean the Owner designated engineer.
- 1.2.3 Design Engineer - In these specifications the words "Design Engineer" shall mean KBJW, Inc.
- 1.2.4 Contractor - In these specifications the word "Contractor" shall mean the firm or corporation undertaking the execution of any work under the terms of these specifications.
- 1.2.5 Approved - In these specifications the word "approved" shall refer to the approval of the Engineer or his designated representative.
- 1.2.6 As Directed - In these specifications the words "as directed" shall refer to the directions to the Contractor from the Owner or his designated representative.

2.0 GENERAL CONDITIONS

- 2.1 The Contractor shall furnish all labor, material and equipment and perform all work and services except those set out and furnished by the Owner, necessary to complete in a satisfactory manner the site preparation, excavation, filling, compaction, grading, footing construction, endwall construction as shown on the plans and as described therein.

This work shall consist of all mobilization clearing and grading, grubbing, stripping, removal of existing material unless otherwise stated, preparation of the land to be filled, filling of the land, spreading and compaction of the fill, and all subsidiary work necessary to complete the grading of the cut and fill areas to conform with the lines, grades, slopes, and specifications.

This work is to be accomplished under the observation of the Owner or his designated representative.

- 2.2 Prior to bidding the work, the Contractor shall examine, investigate and inspect the construction site as to the nature and location of the work, and the general and local conditions at the construction site, including, without limitation, the character of surface or subsurface conditions and obstacles to be encountered on and around the construction site, and shall make such additional investigation as he may deem necessary for the planning and proper execution of the work.
- If conditions other than those indicated are discovered by the Contractor, the Owner should be notified immediately. The material which the Contractor believes to be a changed condition should not be disturbed so that the owner can investigate the condition.

- 2.3 The construction shall be performed under the direction of an experienced engineer who is familiar with the design plan.

I – BRIDGECOR FOOTINGS

1.0 EXCAVATION FOR FOOTINGS

- 1.1 Footing excavation shall consist of the removal of all material, of whatever nature, necessary for the construction of foundations.
- 1.2 It shall be the responsibility of the Contractor to identify and relocate all existing utilities which conflict with the proposed footing locations shown on the plan. The Contractor must call the appropriate utility company at least 48 hours before any excavation to request exact field location of utilities, and coordinate removal and installation of all utilities with the respective utility company.
- 1.3 The side of all excavations shall be cut to prevent sliding or caving of the material above the footings.
- 1.4 Excavated material shall be disposed in accordance with the plan established by the Engineer.
- 1.5 The footings are designed for a factored bearing resistance of 8,700 psf (Ultimate Bearing Resistance of 14,500 psf) based on a 0.60 resistance factor in accordance with the updated recommendations by Entech Engineering, Inc for a minimum permanent footing embedment depth of 5 feet. The geotechnical report also recommended a design/factored friction factor of 0.35 for the design of footings. Conservatively, a friction factor of 0.34 has also been utilized based on an ultimate friction coefficient of 0.40 and the recommended sliding resistance factor of 0.85. These shall be verified in the field before construction. The evaluation and design of any required foundation improvement to achieve the recommended factored bearing resistance and friction factor, and to protect against frost and scour and settlement, is the responsibility of others than KBJW. All recommendations in the project geotechnical report shall be followed during construction.
- 1.6 Care must be exercised to ensure that heavy equipment is not operated adjacent to the footings. Heavy equipment shall not be allowed any closer than 5 feet to the footings.

2.0 CONCRETE FOOTING DIMENSIONS

- 2.1 The footings shall be reinforced in accordance with the construction drawings.

III – HEADWALLS AND WINGWALLS

- 1.0 The headwalls and wingwalls shall consist of reinforced concrete conforming to Chapter IV of these specifications, and AASHTO LRFD Bridge Design Specifications having a minimum compression strength of 4,000 psi.
- 2.0 Reinforcing steel shall conform to ASTM A-615, Grade 60, having minimum yield strength of 60,000 psi.
- 3.0 The headwalls shall be anchored to the BridgeCor box in the manner shown on the plans and shall be formed and poured in accordance with the plan dimensions.
- 4.0 Round weep holes spaced not over 5 feet on center shall be placed in the walls above finished grade as shown on the construction drawings. A granular envelope, consisting of #57 stone (clean 3/4" aggregate) or equivalent, shall be placed behind each weep hole for a distance of approximately 1 foot from all edges of the weep hole. A free-draining geotextile screen shall be placed between the weep hole and the stone to prevent erosion of the stone.
- 5.0 The select backfill behind the headwalls must be a well-graded, angular, durable granular material conforming to the select backfill specifications for the BridgeCor arch placed and compacted to achieve a minimum internal friction angle of 36 degrees and a maximum unit weight of 120 pcf. The material must be placed in strict conformance with the project specifications, the manufacturer's requirements, and industry standards. The select backfill behind the wingwalls must be a well-graded, angular, durable granular material placed and compacted to achieve a minimum internal friction angle of 36 degrees and a maximum unit weight of 120 pcf. These values to be field verified.
- 6.0 All Federal, State, and Local regulations shall be strictly adhered to relative to excavation side-slope geometry and any required excavation shoring.

IV – CONCRETE FOR FOOTINGS AND ENDWALLS

1.0 CODES AND STANDARDS

- 1.1 Reinforced concrete shall conform to the requirements of Colorado DOT Standards and Section V of the AASHTO LRFD Bridge Design Specifications having a minimum compressive strength of 4,000 psi.

2.0 STANDARDS FOR MATERIALS

- 2.1 Portland Cement - Conforming to ASTM Specification C-150, Type I or II.
- 2.2 Water - The water shall be drinkable, clean free from injurious amounts of oils, acids, alkalis, organic materials, or deleterious substances.
- 2.3 Aggregates - Fine and coarse aggregates shall conform to current ASTM Specification C-33 "Specification for Concrete Aggregates" except that local aggregates which have been shown by tests and by actual service to produce satisfactory qualities may be used when approved by the Engineer.
- 2.4 Submittals - Test data and/or certifications to the Owner shall be furnished upon request.

3.0 PROPORTIONING OF CONCRETE

3.1 COMPOSITION

- 3.1.1 The concrete shall be composed of cement, fine aggregate, coarse aggregate and water.
- 3.1.2 The concrete shall be homogeneous, readily placeable and uniformly workable and shall be proportioned in accordance with ACI-211.1.
- 3.1.3 Proportions shall be established on the basis of field experience with the materials to be employed. The amount of water used shall not exceed the maximum 0.45 water/cement ratio, and shall be reduced as necessary to produce concrete of the specified consistency at the time of placement.
- 3.1.4 An air-entraining admixture, conforming to the requirements of ASTM C260, shall be used in all concrete furnished under this contract. The quantity of admixture shall be such as to produce an air content in the freshly mixed concrete of 6 percent plus or minus 1 percent as determined in accordance with ASTM C231 or C173.

3.2 Qualities Required - As indicated in the table below:

TABLE IV-1 QUALITIES REQUIRED	
ITEM	QUALITY REQUIRED
AASHTO Class	A
Type of Cement	I or II
Compressive Strength f_c @ 28 days	4,000 psi
Slump, inches	2 - 4 in.

- 3.3 Maximum Size of Coarse Aggregates - Maximum size of coarse aggregates shall not be larger than 19 mm (3/4 inches).
- 3.4 Rate of Hardening of Concrete - Concrete mix shall be adjusted to produce the required rate of hardening for varied climatic conditions:

Under 40°F Ambient Temperature – All work to be in accordance with the recommendations of ACI-306R "Cold Weather Concreting."

4.0 MIXING AND PLACING

- 4.1 Equipment - Ready Mix Concrete shall be used and shall conform to the "Specifications for Ready-Mix Concrete," ASTM C-94. Approval is required prior to using job mixed concrete.
- 4.2 Preparation - All work shall be in accordance with ACI-304, "Recommended Practice for Measuring, Mixing, Transporting and Placing Concrete." All construction debris and extraneous matter shall be removed from within the forms. Concrete shall be placed on clean surfaces, free from water. Concrete that has to be dropped four (4) feet or more shall be placed through a tremie.
- 4.3 All concrete shall be consolidated by internal mechanical vibration immediately after placement. Vibrators shall be of a size appropriate for the work, capable of transmitting vibration to concrete at frequencies of not less than 4,500 impulses per minute.

5.0 FORM WORK

- 5.1 Forms shall be of wood, steel or other approved material and shall be set and held true to the dimensions, lines and grades of the structure prior to and during the placement of concrete.
 - 5.2 Forms shall not be removed until the concrete has sufficient strength to prevent concrete damage and/or drainage.
- 6.0 CURING
- 6.1 Fresh concrete shall be protected from rains, flowing water and mechanical injury for a period of seven (7) days. Loads shall not be placed on the concrete until it has reached its design strength.

7.0 REINFORCING STEEL

7.1 MATERIAL

- 7.1.1 All reinforcing bars shall be deformed bars (ASTM-A615) Grade 60.

7.2 BENDING AND SPLICING

- 7.2.1 Bar reinforcement shall be cut and bent to the shapes shown on the plans. Fabrication tolerances shall be in accordance with ACI 315. All bars shall be bent cold, unless otherwise permitted.
- 7.2.2 All reinforcement shall be furnished in the full lengths indicated on the plans unless otherwise permitted. Except for splices shown on the plans and splices for No. 5 or smaller bars, splicing of bars will not be permitted without written approval. Splices shall be staggered as far as possible.
- 7.2.3 In lapped splices, the bars shall be placed and wired in such a manner as to maintain the minimum distance to the surface of the concrete shown on the plans.

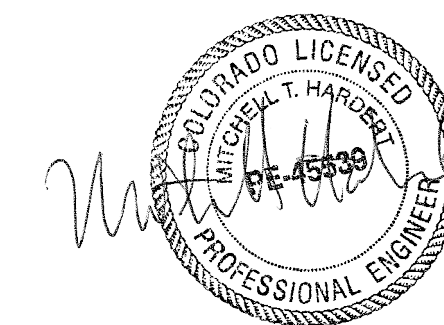
- 7.2.4 Substitution of different size bars will be permitted only when authorized by the engineer. The substituted bars shall have an area equivalent to the design area, or larger.

7.3 PLACING AND FASTENING

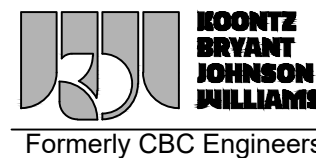
- 7.3.1 Steel reinforcement shall be accurately placed as shown on the plans and firmly held in position during the placing and setting of concrete. Bars shall be tied at all intersections around the perimeter of each mat and at not less than 2-foot centers or at every intersection, whichever is greater, elsewhere. Welding of cross bars (tack welding) will not be permitted for assembly of reinforcement.
- 7.3.2 Reinforcing steel shall be supported in its proper position by use of mortar blocks, wire bar supports, supplementary bars or other approved devices. Such devices shall be of such height and placed at sufficiently frequent intervals so as to maintain the distance between the reinforcing and the formed surface or the top surface within 1/4 inch of that indicated on the plans.

V - FILTER FABRIC (GEOTEXTILE SCREEN)

- 1.0 Filter fabric shall be placed at all locations shown on the construction drawings, and as necessary between all dissimilar materials to prevent soil migration and to maintain a soil-tight system.
- 2.0 Filter fabric cloth shall conform to Contech specification for C60-NW or equivalent and shall meet the following ASTM tests:
 - 2.1 ASTM D4751 - Apparent opening size equal to #70 U.S. Standard Sieve Size.
 - 2.2 ASTM D4632 (Grab Tensile Test) - Minimum Strength = 160 pounds.
 - 2.3 ASTM D4632 (Grab Elongation) - 30-70%.
 - 2.4 ASTM D4533 (Trapezoidal Tear) - Minimum Strength = 60 pounds.
 - 2.5 ASTM D4355 (Stabilized for Heat and Ultra-Violet Degradation) - 70% strength retained.
- 3.0 The minimum fabric coefficient of permeability (ASTM D4491) shall be 0.24 cm/sec.
- 4.0 The fabric shall be non-woven with a minimum thickness (ASTM D5199) of 60 mils.
- 5.0 Fabric shall not be placed over sharp or angular rocks that could tear or puncture it.
- 6.0 Care should be exercised to prevent any puncturing or rupture of the filter fabric. Should such rupture occur, the damaged area should be covered with a patch of filter fabric using an overlap minimum of one (1) foot.



2	7/5/22	DJH	REVISION 2
1	6/10/22	DJH	REVISION 1

			
SPECIFICATIONS			
Drawn By DJH	Date 4/18/22	CONTECH ENGINEERED SOLUTIONS, LLC Design of Concrete Spread Footing Foundations, Concrete Headwalls and Wingwalls for a BridgeCOR Steel Box (705931); Sterling Ranch Road, El Paso County, Colorado	
Approved By	Date	Project No. KBJW-24879	Rev. Sheet 2 6 OF 6
Scale GRAPHIC			