

SCHRIEVER AIR FORCE BASE COL02065



CELL SITE RF MODIFICATIONS MRUTH063057 FA#:10099187 MONOPOLE

PROJECT DESCRIPTION

AT&T WIRELESS PROPOSES TO MODIFY AN EXISTING WIRELESS INSTALLATION. THE SCOPE WILL CONSIST OF THE FOLLOWING:

MONOPOLE WORK:

- REMOVE (6) PANEL ANTENNAS
- REMOVE (15) REMOTE RADIO HEADS (RRHs)
- INSTALL (3) AIR 6419 B77D ANTENNAS (TOP)
- INSTALL (3) AIR 6419 B77G ANTENNAS (BOTTOM)
- INSTALL (12) REMOTE RADIO UNITS (RRUs)
- INSTALL (6) BACK TO BACK RRH MOUNTS
- INSTALL (-) MOUNT MODIFICATIONS

GROUND WORK:

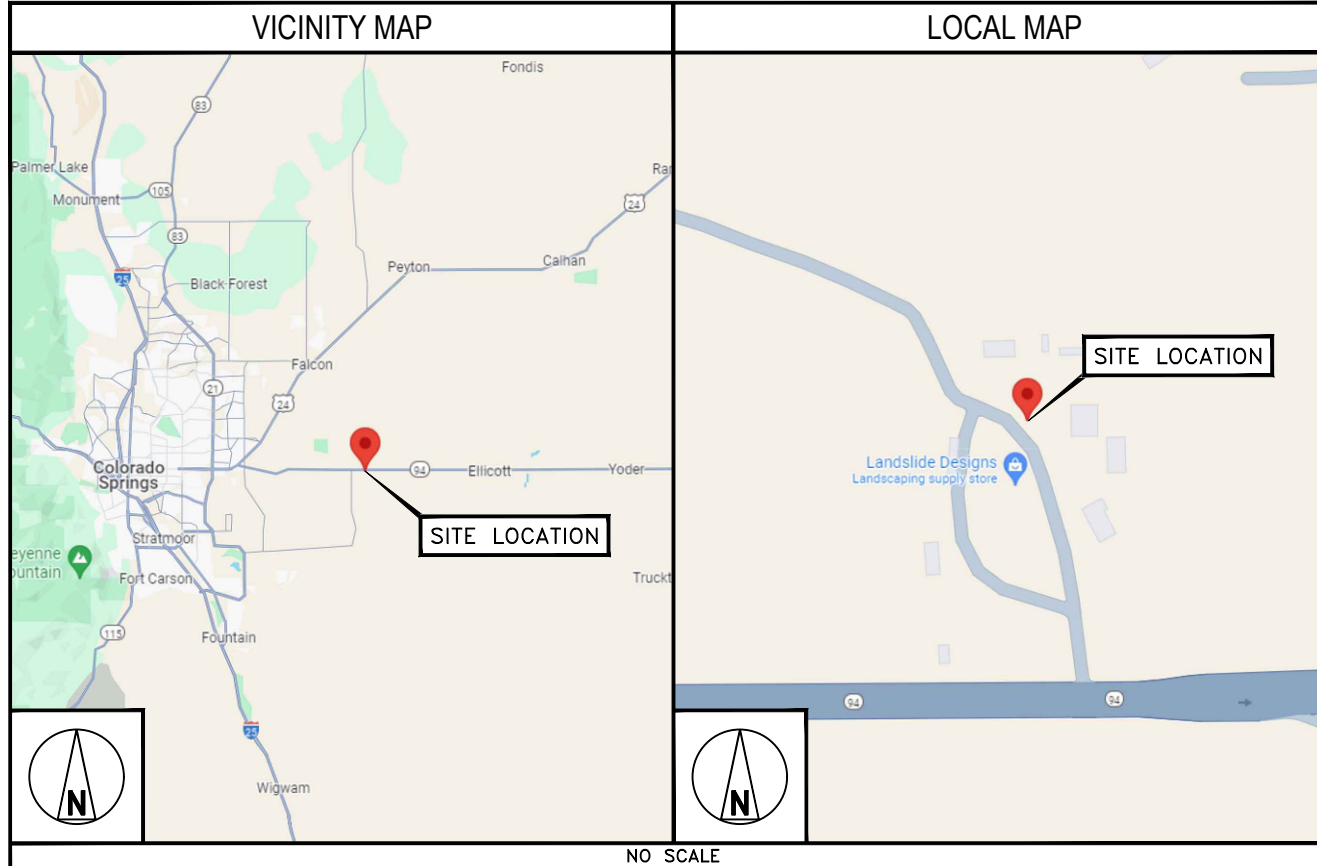
- REMOVE (2) FSM4 UNITS
- REMOVE (5) CONVERTERS
- INSTALL (1) ERICSSON BASE BAND UNIT
- INSTALL (1) RETROFIT KIT IN EXISTING DC POWER PLANT
- INSTALL (11) CONVERTERS IN EXISTING DC POWER PLANT
- INSTALL (1) POWERSHIFT CONVERTER IN EXISTING DC POWER PLANT
- INSTALL (2) RECTIFIERS IN EXISTING DC POWER PLANT

ENGINEERING

2023 PIKES PEAK REGIONAL BUILDING CODE
2021 INTERNATIONAL BUILDING CODE OR LATEST ADOPTED EDITION
2020 NATIONAL ELECTRIC CODE OR LATEST ADOPTED EDITION
TIA/EIA-222-H OR LATEST EDITION

SITE INFORMATION

PROPERTY OWNER: SBA COMMUNICATIONS
ADDRESS: 15620 HIGHWAY 94
SITE ADDRESS: 15642 HIGHWAY 94
COLORADO SPRINGS, CO 80930
FA: 10099187
MONOPOLE OWNER: SBA COMMUNICATIONS
CELL SITE RF MODIFICATIONS PACE #: MRUTH063057
COUNTY: EL PASO
LATITUDE (NAD83): 38.839833
LONGITUDE (NAD83): -104.537111
GROUND ELEVATION: 6,409' AMSL
ZONING JURISDICTION: EL PASO COUNTY
ZONING DISTRICT: NA
PARCEL NUMBER: NA
OCCUPANCY GROUP: U
CONSTRUCTION TYPE: V-B
POWER COMPANY: NA
TELEPHONE COMPANY: NA
SITE ACQUISITION MANAGER: CORY HAMMEN
(414) 455-2289
CONSTRUCTION MANAGER: JOHN RUTKOWITZ
(303) 264-0523
RF ENGINEER: SHAD RYDALCH
(208) 371-0011



NO SCALE

DRIVING DIRECTIONS

DIRECTIONS FROM AT&T OFFICE

GET ON I-25 S IN LONE TREE FROM INVERNESS DR W AND E COUNTY LINE RD, HEAD SOUTH TOWARD INVERNESS DR W, TURN LEFT, TURN RIGHT, TURN RIGHT, TURN LEFT, TURN LEFT ONTO INVERNESS DR W, SE THE RIGHT 2 LANES TO TURN RIGHT ONTO E COUNTY LINE RD, SE THE RIGHT 2 LANES TO TURN RIGHT ONTO E COUNTY LINE RD, SLIGHT RIGHT TO MERGE WITH I-25 S TOWARD COLO SPOS, FOLLOW I-25 S AND CO-21 S TO US-24 E IN CIMARRON HILLS, MERGE WITH I-25 S, TAKE EXIT 153 FOR INTERQUEST PKWY, CONTINUE ONTO INTERQUEST PKWY, TURN RIGHT ONTO CO-21 S, TAKE EXIT 141 TO MERGE WITH E PLATTE AVE TOWARD US-24 E, CONTINUE ONTO US-24 E/E PLATTE AVE, FOLLOW CO-94 E TO YOUR DESTINATION, KEEP LEFT TO STAY ON US-24 E, TURN RIGHT ONTO CO-94 E, TURN LEFT, SITE WILL BE ON THE RIGHT.

GENERAL NOTES

THE FACILITY IS UNMANNED AND NOT FOR HUMAN HABITATION. A TECHNICIAN WILL VISIT THE SITE AS REQUIRED FOR ROUTINE MAINTENANCE. THE PROJECT WILL NOT RESULT IN ANY SIGNIFICANT DISTURBANCE OR EFFECT ON DRAINAGE. NO SANITARY SEWER SERVICE, POTABLE WATER, OR TRASH DISPOSAL IS REQUIRED AND NO COMMERCIAL SIGNAGE IS PROPOSED.

DRAWING INDEX

SHEET NO.	SHEET TITLE
T-1	TITLE SHEET
C-1	SITE PLAN
C-1.1	ENLARGED SITE PLAN
C-2	EQUIPMENT LAYOUT
C-3	ELEVATION
C-4	ANTENNA SCHEDULE & LAYOUTS
C-5	EQUIPMENT DETAILS
C-6	EQUIPMENT DETAILS
E-1	ELECTRICAL AC ONE-LINE DIAGRAM
E-2	ELECTRICAL DC ONE-LINE DIAGRAM
G-1	GROUNDING ONE-LINE DIAGRAM
G-2	GROUNDING DETAILS
GN-1	LEGEND & ABBREVIATIONS
GN-2	GENERAL CONSTRUCTION NOTES
GN-3	GENERAL SITE WORK & DRAINAGE NOTES
GN-4	GENERAL CONCRETE WORK NOTES
GN-5	GENERAL STRUCTURAL STEEL NOTES
GN-6	GENERAL ELECTRICAL NOTES
GN-7	BATTERY SAFETY NOTES
S-1	TITLE PAGE
S-2	MODIFICATION INSPECTION CHECKLIST
S-3	NOTES
S-4	HANDRAIL MODIFICATIONS

11"x17" PLOT WILL BE HALF SCALE UNLESS OTHERWISE NOTED

CONTRACTOR SHALL VERIFY ALL PLANS, EXISTING DIMENSIONS, AND CONDITIONS ON THE JOB SITE, AND SHALL IMMEDIATELY NOTIFY THE ENGINEER IN WRITING OF ANY DISCREPANCIES BEFORE PROCEEDING WITH THE WORK.



UNDERGROUND SERVICE ALERT
UTILITY NOTIFICATION CENTER OF COLORADO
(800) 922-1987
WWW.UNCC.ORG

3 WORKING DAYS UTILITY NOTIFICATION PRIOR TO CONSTRUCTION



188 INVERNESS DRIVE WEST
SUITE 400
ENGLEWOOD, CO 80112



BLACK & VEATCH

4600 SOUTH SYRACUSE STREET
SUITE 800
DENVER, COLORADO 80237

PROJECT/PHASE NO: 129551/1183

DRAWN BY: VDP

CHECKED BY: JMH

RFDS:

REV	DATE	DESCRIPTION
0	05/23/24	ISSUED FOR CONSTRUCTION



IT IS A VIOLATION OF LAW FOR ANY PERSON, UNLESS THEY ARE ACTING UNDER THE DIRECTION OF A LICENSED PROFESSIONAL ENGINEER, TO ALTER THIS DOCUMENT.

SCHRIEVER AIR FORCE BASE
COL02065
15642 HIGHWAY 94
COLORADO SPRINGS, CO 80930
CELL SITE RF MODIFICATIONS

SHEET TITLE
TITLE SHEET

SHEET NUMBER

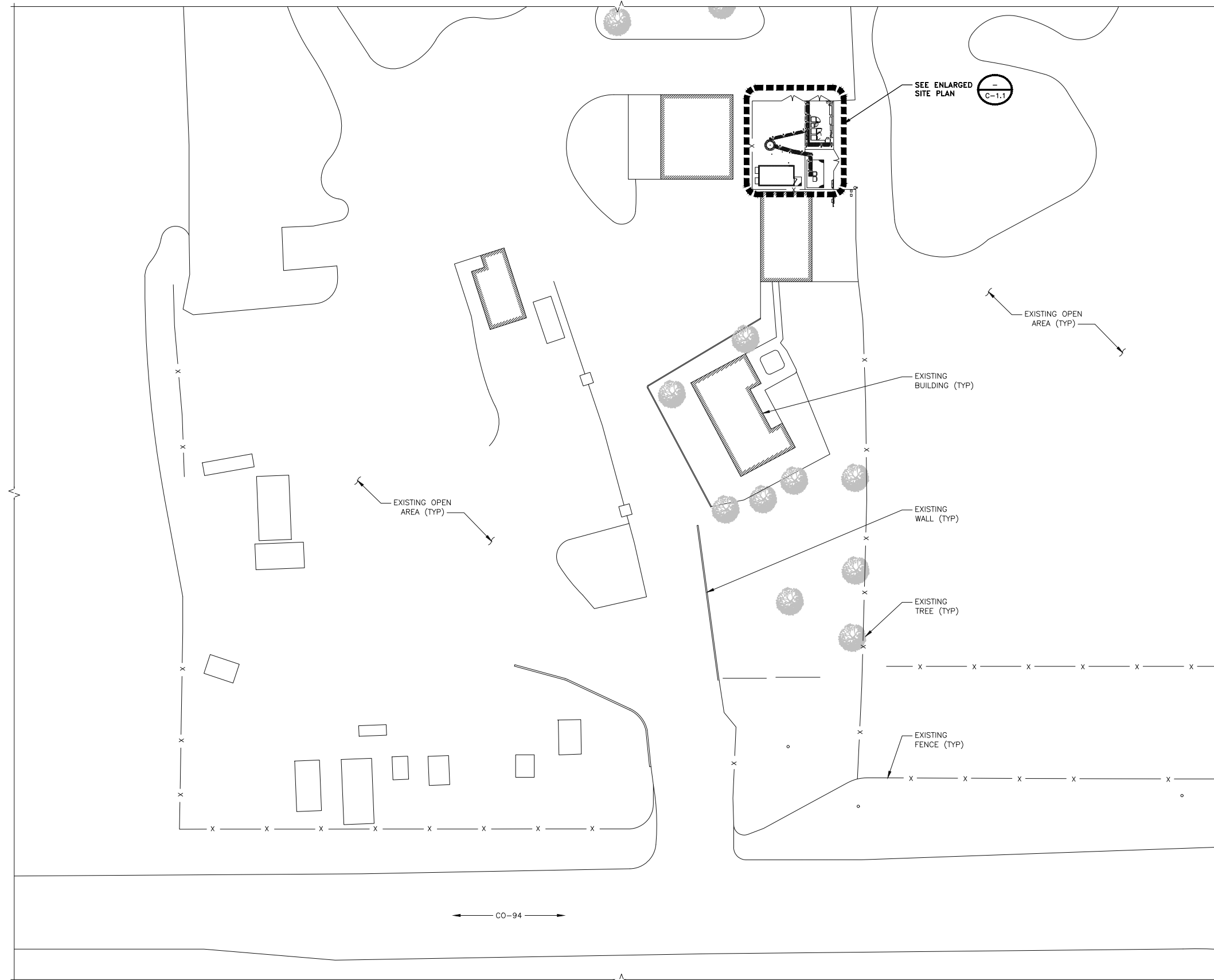
T-1

CONTACT INFORMATION

ENGINEER: BLACK & VEATCH CORPORATION
4600 SOUTH SYRACUSE STREET, SUITE 800
DENVER, CO 80237
CONTACT: CAMERON LOUCKS
PHONE: (303) 264-0581

NOTES

1. CONTRACTOR SHALL FIELD VERIFY ALL DIMENSIONS.
2. ANTENNAS AND MOUNTS OMITTED FOR CLARITY.



188 INVERNESS DRIVE WEST
SUITE 400
ENGLEWOOD, CO 80112



BLACK & VEATCH

4600 SOUTH SYRACUSE STREET
SUITE 800
DENVER, COLORADO 80237

PROJECT/PHASE NO: 129551/1183

DRAWN BY: VDP

CHECKED BY: JMH

RFDS:

REV	DATE	DESCRIPTION
0	05/23/24	ISSUED FOR CONSTRUCTION



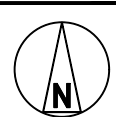
IT IS A VIOLATION OF LAW FOR ANY PERSON, UNLESS THEY ARE ACTING UNDER THE DIRECTION OF A LICENSED PROFESSIONAL ENGINEER, TO ALTER THIS DOCUMENT.

SCHRIEVER AIR FORCE BASE
COL02065
15642 HIGHWAY 94
COLORADO SPRINGS, CO 80930
CELL SITE RF MODIFICATIONS

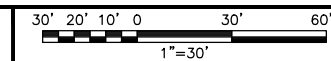
SHEET TITLE
SITE PLAN

SHEET NUMBER

C-1



SITE PLAN



COAX & CABLE INFORMATION

- ALL EXISTING CABLES/COAX TO REMAIN UNLESS NOTED OTHERWISE
- (6) EXISTING #8 AWG DC POWER TRUNKS
- (3) EXISTING 18-PAIR FIBER TRUNKS
- (3) EXISTING 2" INNERDUCT ROUTED ON EXISTING MONOPOLE

NOTES

1. CONTRACTOR SHALL FIELD VERIFY ALL DIMENSIONS.
2. ANTENNAS AND MOUNTS OMITTED FOR CLARITY.



188 INVERNESS DRIVE WEST
SUITE 400
ENGLEWOOD, CO 80112



BLACK & VEATCH

4600 SOUTH SYRACUSE STREET
SUITE 800
DENVER, COLORADO 80237

PROJECT/PHASE NO: 129551/1183

DRAWN BY: VDP

CHECKED BY: JMH

RFDS:

REV	DATE	DESCRIPTION
0	05/23/24	ISSUED FOR CONSTRUCTION



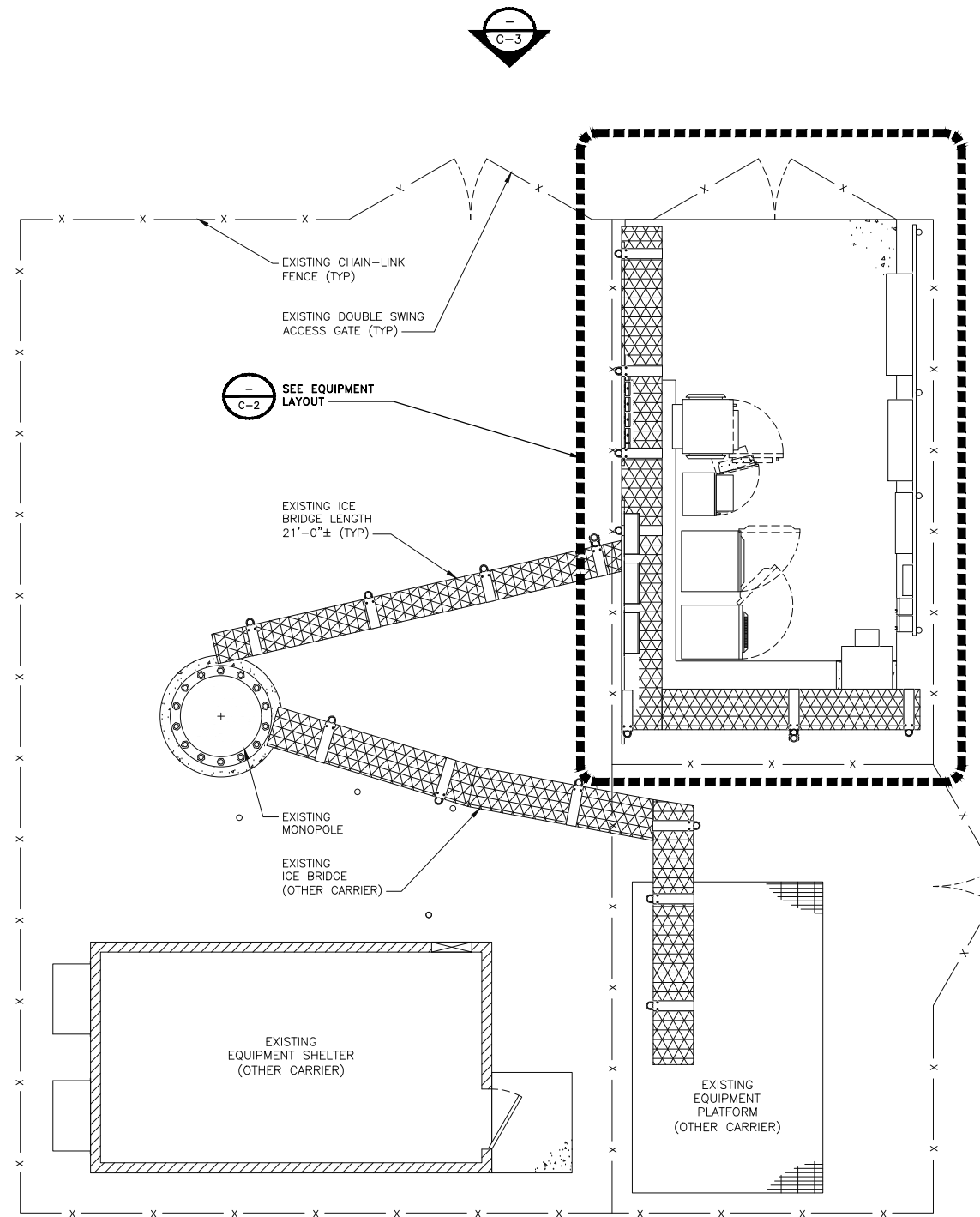
IT IS A VIOLATION OF LAW FOR ANY PERSON, UNLESS THEY ARE ACTING UNDER THE DIRECTION OF A LICENSED PROFESSIONAL ENGINEER, TO ALTER THIS DOCUMENT.

SCHRIEVER AIR FORCE BASE
COL02065
15642 HIGHWAY 94
COLORADO SPRINGS, CO 80930
CELL SITE RF MODIFICATIONS

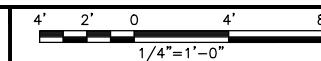
SHEET TITLE
ENLARGED SITE PLAN

SHEET NUMBER

C-1.1



ENLARGED SITE PLAN



NOTES

1. CONTRACTOR SHALL FIELD VERIFY ALL DIMENSIONS.
2. IFC 608 & IMC 502.4 CODE ANALYSIS & BATTERY COMPLIANCE INFORMATION SHOWN ON SHEET GN-7.
3. THERE WILL BE A TOTAL OF 50.16 GALLONS OF ELECTROLYTE WITH THE 24 EXISTING LEAD-ACID BATTERIES.



188 INVERNESS DRIVE WEST
SUITE 400
ENGLEWOOD, CO 80112



4600 SOUTH SYRACUSE STREET
SUITE 800
DENVER, COLORADO 80237

PROJECT/PHASE NO: 129551/1183

DRAWN BY: VDP

CHECKED BY: JMH

RFDS:

REV	DATE	DESCRIPTION
0	05/23/24	ISSUED FOR CONSTRUCTION



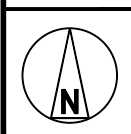
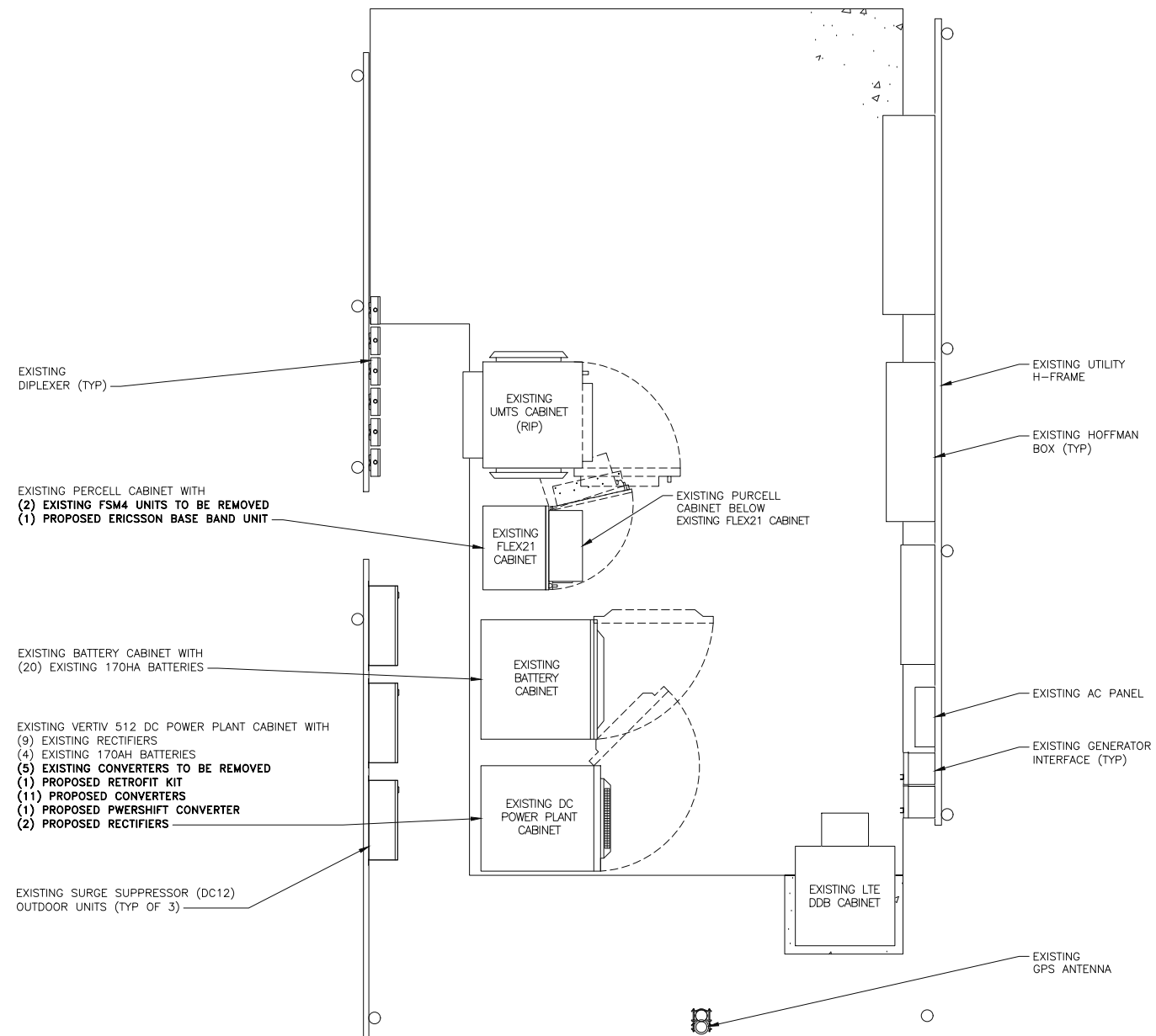
IT IS A VIOLATION OF LAW FOR ANY PERSON, UNLESS THEY ARE ACTING UNDER THE DIRECTION OF A LICENSED PROFESSIONAL ENGINEER, TO ALTER THIS DOCUMENT.

SCHRIEVER AIR FORCE BASE
COL02065
15642 HIGHWAY 94
COLORADO SPRINGS, CO 80930
CELL SITE RF MODIFICATIONS

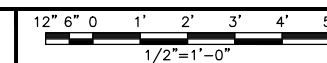
SHEET TITLE
EQUIPMENT LAYOUT

SHEET NUMBER

C-2

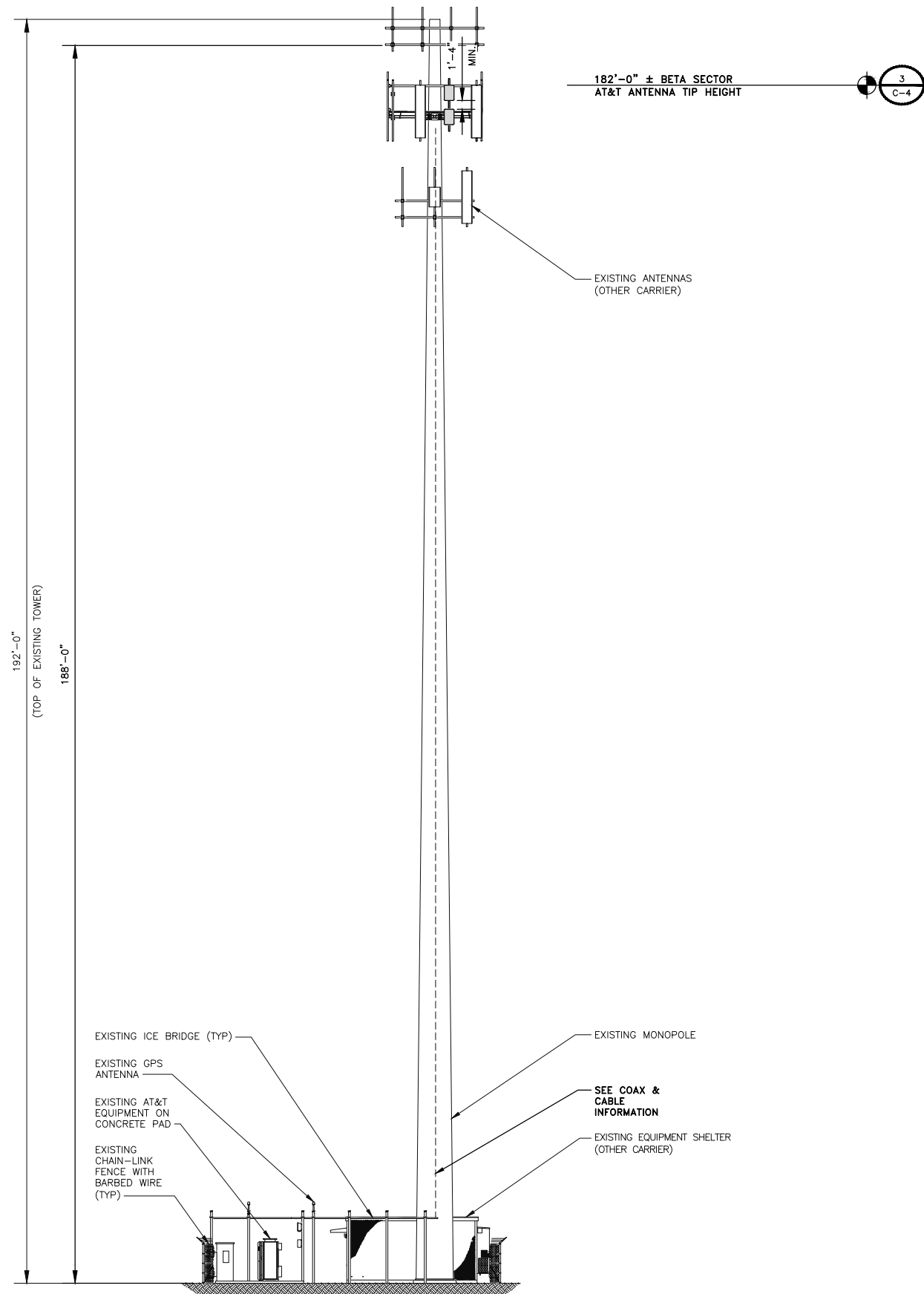


FINAL EQUIPMENT LAYOUT



NOTES

1. THE EXISTING MONOPOLE IS CURRENTLY BEING ANALYZED BY OTHERS TO DETERMINE ITS STRUCTURAL CAPACITY TO CARRY THE PROPOSED NEW COAX & ANTENNAS. THESE DRAWINGS HAVE BEEN CREATED BASED ON THE ASSUMPTION THAT THE STRUCTURAL ANALYSIS WILL SHOW THAT THE MONOPOLE HAS SUFFICIENT CAPACITY TO SUPPORT THE PROPOSED NEW LOADS. INSTALLATION OF THE COAX & ANTENNAS SHALL NOT COMMENCE UNTIL AN APPROVED STRUCTURAL ANALYSIS HAS BEEN RECEIVED BY THE OWNER OR AT&T, & HAS BEEN REVIEWED BY BLACK & VEATCH.
2. MOUNT MODIFICATIONS REQUIRED; SEE ACCELERATED TOWER ENGINEERING DESIGN DATED MARCH 19, 2024. PLEASE REFERENCE SHEETS S-1 TO S-4. NO PROPOSED LTE WORK SHALL COMMENCE ON THIS TOWER UNTIL AFTER MOUNT MODIFICATIONS HAVE BEEN COMPLETED AND PROPERLY INSPECTED.



FINAL NORTH ELEVATION

COAX & CABLE INFORMATION

- ALL EXISTING CABLES/COAX TO REMAIN UNLESS NOTED OTHERWISE
- (6) EXISTING #8 AWG DC POWER TRUNKS
- (3) EXISTING 18-PAIR FIBER TRUNKS
- (3) EXISTING 2" INNERDUCT ROUTED ON EXISTING MONOPOLE

CABLE SUPPORT HANGER NOTE

CONTRACTOR SHALL FIELD VERIFY EXISTING CABLE HOIST GRIPS SUPPORT METHOD. CONTRACTOR SHALL NOTE ANY EXISTING INSTALLATION NOT CONFORMING TO THE REQUIREMENTS BELOW TO CONSTRUCTION MANAGER FOR REMEDIATION APPROVAL. CONTRACTOR SHALL MAINTAIN A SUPPLY OF REMEDIATION HARDWARE WITH TOWER CREWS FOR ON-SITE REMEDIATION, WHEN APPROVED, WITHOUT REMOBILIZATION. INSTALL ALL HARDWARE PER MANUFACTURER REQUIREMENTS.

- ALL HOIST GRIPS SHALL BE SECURED TO TOWER STRUCTURE
- WRAPPING HOIST GRIPS OVER TOWER STEEL IS NOT PERMITTED
- USE OF SHACKLES IS PREFERRED
- BEAM CLAMPS OR ANGLE ADAPTERS ARE NOT PERMITTED FOR HOIST GRIPS
- HOIST GRIPS SHALL BE INSTALLED EVERY 200 FT OR PER CABLE MANUFACTURER REQUIREMENTS
- CHAIN NOT PERMITTED FOR HOIST GRIP SUPPORT



188 INVERNESS DRIVE WEST
SUITE 400
ENGLEWOOD, CO 80112



BLACK & VEATCH

4600 SOUTH SYRACUSE STREET
SUITE 800
DENVER, COLORADO 80237

PROJECT/PHASE NO: 129551/1183

DRAWN BY: VDP

CHECKED BY: JMH

RFDS:

REV	DATE	DESCRIPTION
0	05/23/24	ISSUED FOR CONSTRUCTION



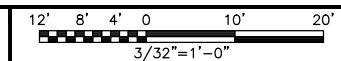
IT IS A VIOLATION OF LAW FOR ANY PERSON, UNLESS THEY ARE ACTING UNDER THE DIRECTION OF A LICENSED PROFESSIONAL ENGINEER, TO ALTER THIS DOCUMENT.

SCHRIEVER AIR FORCE BASE
COL02065
15642 HIGHWAY 94
COLORADO SPRINGS, CO 80930
CELL SITE RF MODIFICATIONS

SHEET TITLE
ELEVATION

SHEET NUMBER

C-3



COAX & CABLE INFORMATION

- ALL EXISTING CABLES/COAX TO REMAIN UNLESS NOTED OTHERWISE
- (6) EXISTING #8 AWG DC POWER TRUNKS
- (3) EXISTING 18-PAIR FIBER TRUNKS
- (3) EXISTING 2" INNERDUCT ROUTED ON EXISTING MONOPOLE

SECTOR	TECH.		ANTENNA MODEL		AZIMUTH		TIP HEIGHT	RRH/RRU MODEL & RELATED EQUIPMENT	
	EXIST.	FINAL	EXIST.	FINAL	EXIST.	FINAL	EXIST.	FINAL	
A1	UMTS	LTE	*P65-15-XLH-RR	TPA65R-BU8D	90°	90°	182'-0"	-	4415 B30 +WCS-IMFQ-AMT 4490 B5/B12A
A2	LTE	LTE	*EPBQ-654L8H8	6419 B77D+6419 B77G STACKED	90°	90°	182'-0"	*RRH4X25-WCS-4R +WCS-IMFQ-AMT *B66A RRH4X45-4R	INTEGRATED WITHIN: ERICSSON 6419D INTEGRATED WITHIN: ERICSSON 6419G
A3	LTE	LTE	TPA65R-BU8D	TPA65R-BU8D	90°	90°	182'-0"	*4T4R B5 160W AHCA	4478 B14 4890 B25/B66
A4	LTE	-	TPA65R-BU8D	-	90°	-	-	*B25 RRH4X30-4R *4T4R B12/14 320W AHLBA	-
B1	UMTS	LTE	*P65-15-XLH-RR	TPA65R-BU8D	150°	150°	182'-0"	-	4415 B30 +WCS-IMFQ-AMT 4490 B5/B12A
B2	LTE	LTE	*EPBQ-654L8H8	6419 B77D+6419 B77G STACKED	150°	150°	182'-0"	*RRH4X25-WCS-4R +WCS-IMFQ-AMT *B66A RRH4X45-4R	INTEGRATED WITHIN: ERICSSON 6419D INTEGRATED WITHIN: ERICSSON 6419G
B3	LTE	LTE	TPA65R-BU8D	TPA65R-BU8D	150°	150°	182'-0"	*4T4R B5 160W AHCA	4478 B14 4890 B25/B66
B4	LTE	-	TPA65R-BU8D	-	150°	-	-	*B25 RRH4X30-4R *4T4R B12/14 320W AHLBA	-
C1	UMTS	LTE	*P65-15-XLH-RR	TPA65R-BU8D	240°	240°	182'-0"	-	4415 B30 +WCS-IMFQ-AMT 4490 B5/B12A
C2	LTE	LTE	*EPBQ-654L8H8	6419 B77D+6419 B77G STACKED	240°	240°	182'-0"	*RRH4X25-WCS-4R +WCS-IMFQ-AMT *B66A RRH4X45-4R	INTEGRATED WITHIN: ERICSSON 6419D INTEGRATED WITHIN: ERICSSON 6419G
C3	LTE	LTE	TPA65R-BU8D	TPA65R-BU8D	240°	240°	182'-0"	*4T4R B5 160W AHCA	4478 B14 4890 B25/B66
C4	LTE	-	TPA65R-BU8D	-	240°	-	-	*B25 RRH4X30-4R *4T4R B12/14 320W AHLBA	-

*TO BE REMOVED



188 INVERNESS DRIVE WEST
SUITE 400
ENGLEWOOD, CO 80112



4600 SOUTH SYRACUSE STREET
SUITE 800
DENVER, COLORADO 80237

PROJECT/PHASE NO: 129551/1183

DRAWN BY: VDP

CHECKED BY: JMH

RFDS:

REV	DATE	DESCRIPTION
0	05/23/24	ISSUED FOR CONSTRUCTION

ANTENNA SCHEDULE

NO SCALE

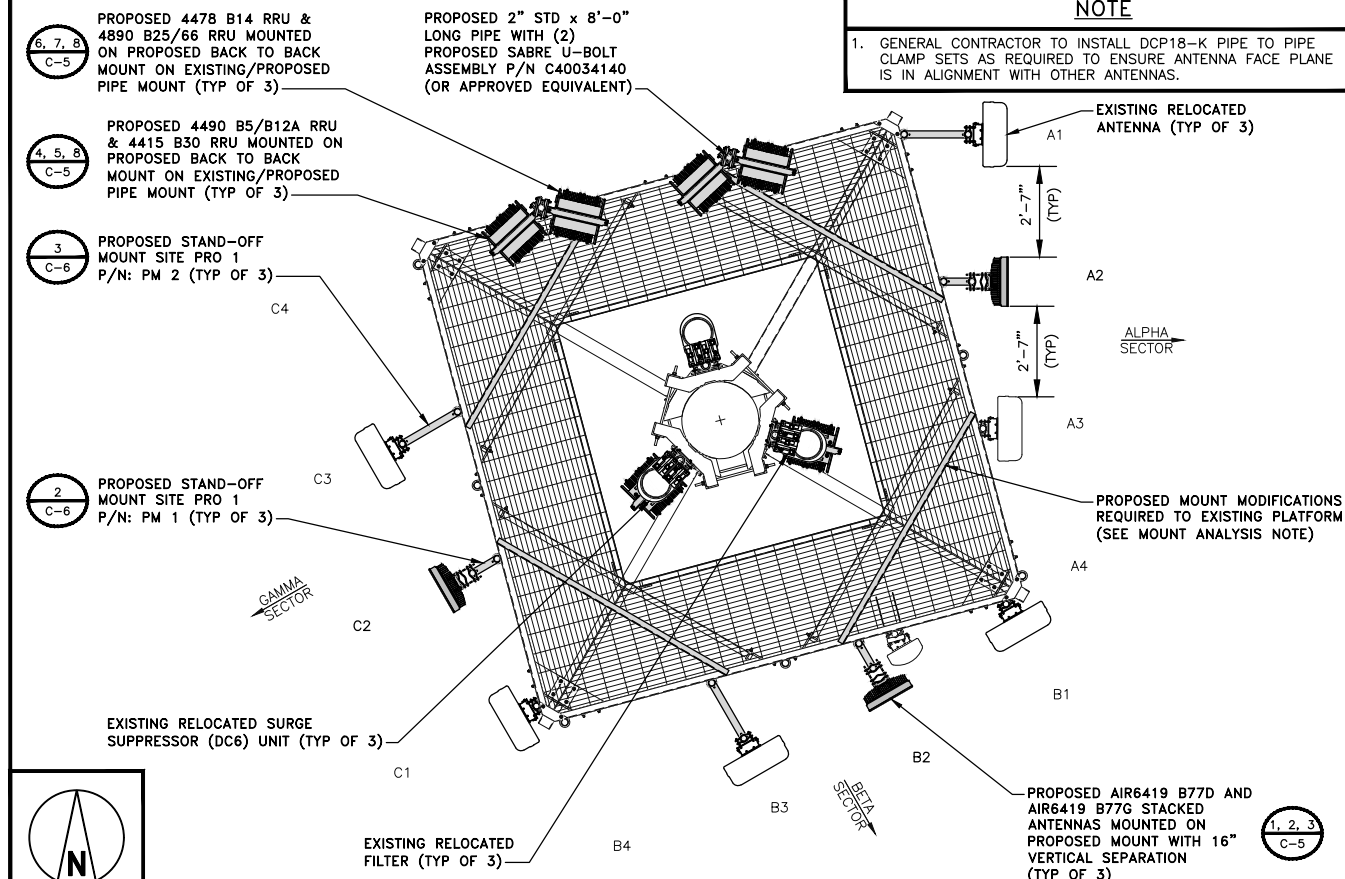
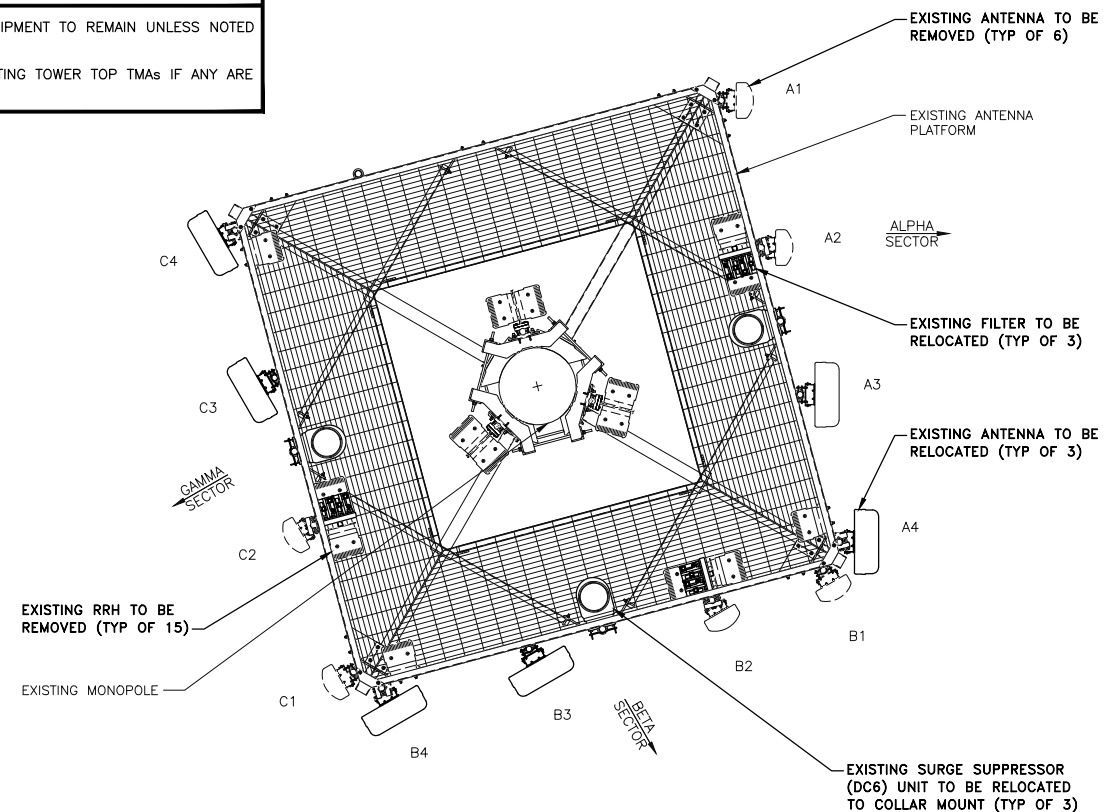
1

NOTE

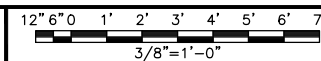
1. ALL EXISTING EQUIPMENT TO REMAIN UNLESS NOTED OTHERWISE.
2. REMOVE ALL EXISTING TOWER TOP TMAs IF ANY ARE PRESENT.

NOTE

1. GENERAL CONTRACTOR TO INSTALL DCP18-K PIPE TO PIPE CLAMP SETS AS REQUIRED TO ENSURE ANTENNA FACE PLANE IS IN ALIGNMENT WITH OTHER ANTENNAS.

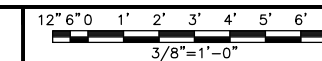


EXISTING ANTENNA LAYOUT

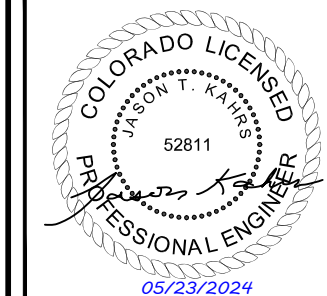


2

PROPOSED ANTENNA LAYOUT



3



IT IS A VIOLATION OF LAW FOR ANY PERSON, UNLESS THEY ARE ACTING UNDER THE DIRECTION OF A LICENSED PROFESSIONAL ENGINEER, TO ALTER THIS DOCUMENT.

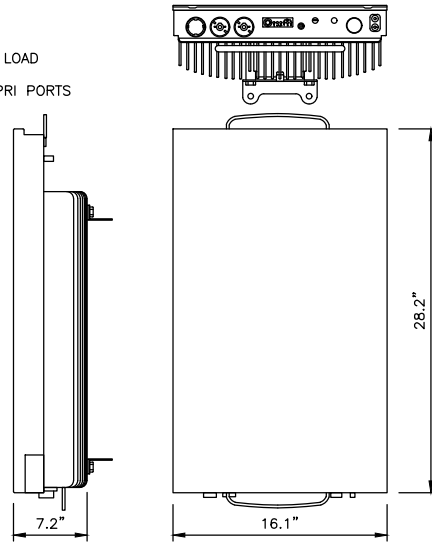
SCHRIEVER AIR FORCE BASE
COLO2065
15642 HIGHWAY 94
COLORADO SPRINGS, CO 80930
CELL SITE RF MODIFICATIONS

SHEET TITLE
ANTENNA SCHEDULE & LAYOUTS

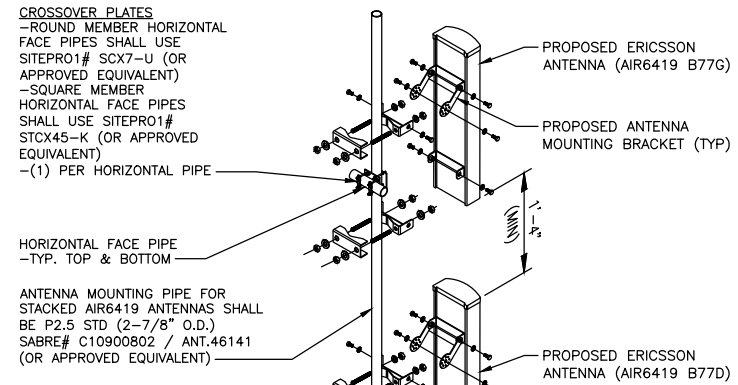
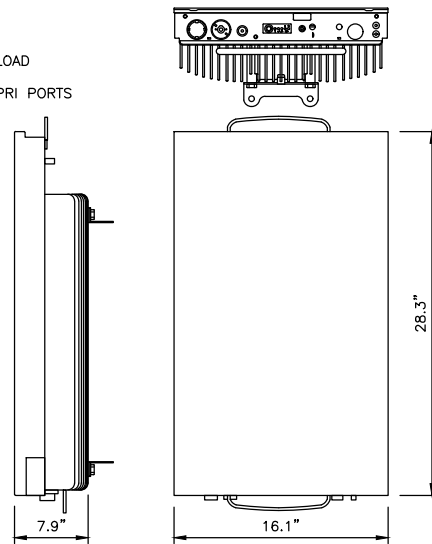
SHEET NUMBER

C-4

ERICSSON AIR 6419 B77D
 DIMENSIONS, WxDxH: 16.1"x7.2"x28.2"
 (mm) 409x183x717mm
 POWER CONSUMPTION: 1135 WATTS @ 100% LOAD
 TOTAL WEIGHT: 63 lbs
 PORTS: 3 x 10/25 GBPS eCPRI PORTS



ERICSSON AIR 6419 B77G
 DIMENSIONS, WxDxH: 16.1"x7.9"x28.3"
 (mm) 409x201x719mm
 POWER CONSUMPTION: 1200 WATTS @ MAX LOAD
 TOTAL WEIGHT: 66.1 lbs
 PORTS: 2 x 10/25 GBPS eCPRI PORTS



CROSSOVER PLATE NOTE:
 FOR MOUNT REPLACEMENTS, IF CROSSOVER PLATES OF EQUIVALENT SIZE ARE SUPPLIED WITH THE, THOSE CROSSOVER PLATES SHALL BE USED

PROPOSED ANTENNA SPECIFICATIONS

NO SCALE

1

PROPOSED ANTENNA SPECIFICATIONS

NO SCALE

2

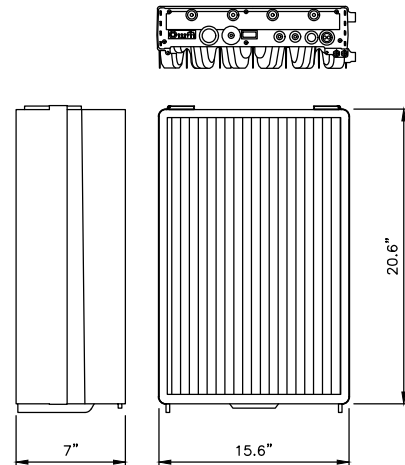
ANTENNA PIPE MOUNTING DETAIL

NO SCALE

3

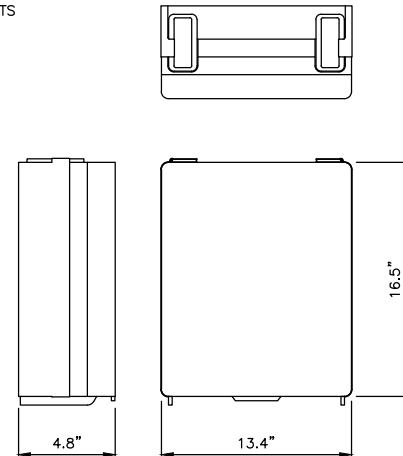
ERICSSON RADIO 4490 B5/12A

DIMENSIONS, HxWxD: 20.6"x15.6"x7"
 (mm) 524x397x178mm
 POWER CONSUMPTION: 480W
 TOTAL WEIGHT: 65 lbs



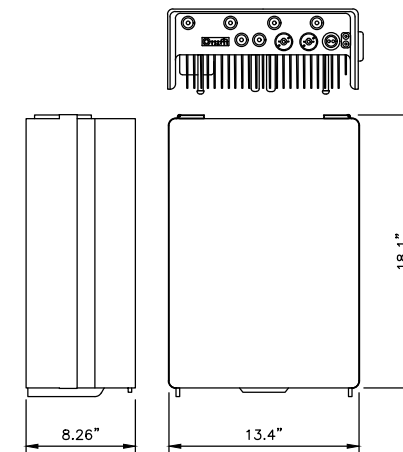
ERICSSON RADIO 4415 B30

DIMENSIONS, WxDxH: 13.4"x4.8"x16.5"
 (mm) 342x123x420mm
 POWER CONSUMPTION: 670W
 TOTAL WEIGHT: 47 lbs
 PORTS: 4 x 4.3-10 (f) GBPS eCPRI PORTS



ERICSSON RADIO 4478 B14

DIMENSIONS, WxDxH: 13.4"x8.26"x18.1"
 (mm) 342x210x460mm
 POWER CONSUMPTION: 650W
 TOTAL WEIGHT: 59.4 lbs



RRU SPECIFICATIONS

NO SCALE

4

RRU SPECIFICATIONS

NO SCALE

5

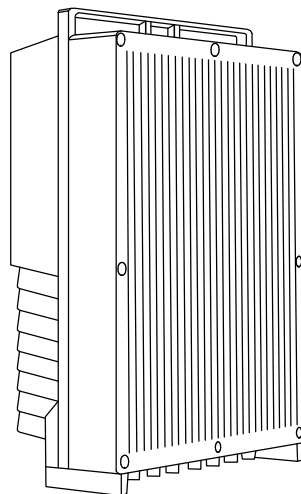
RRU SPECIFICATIONS

NO SCALE

6

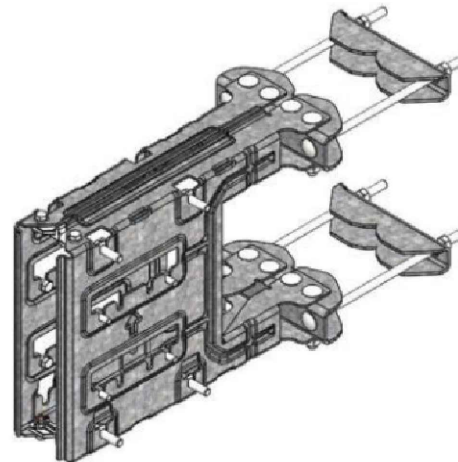
ERICSSON RADIO 4890 B25/66

DIMENSIONS, HxWxD: 17.5"x15.1"x6.9"
 (mm) 444x384x176mm
 POWER CONSUMPTION: 480 WATTS
 TOTAL WEIGHT: 68 lbs



SXK 1255394/2 DUAL RRU MOUNT

MATERIAL: GALVANIZED STEEL
 MOUNTING: POLE
 CEQ: 53714



*OR ENGINEER APPROVED EQUAL

RRU SPECIFICATIONS

NO SCALE

7

DUAL RRU MOUNTING DETAIL

NO SCALE

8

NOT USED

NO SCALE

9



188 INVERNESS DRIVE WEST
 SUITE 400
 ENGLEWOOD, CO 80112



4600 SOUTH SYRACUSE STREET
 SUITE 800
 DENVER, COLORADO 80237

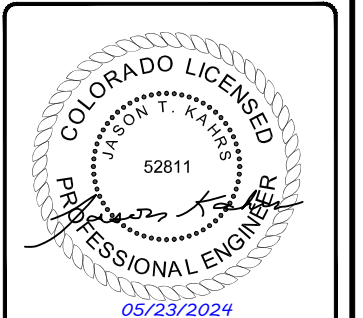
PROJECT/PHASE NO: 129551/1183

DRAWN BY: VDP

CHECKED BY: JMH

RFDS:

REV	DATE	DESCRIPTION
0	05/23/24	ISSUED FOR CONSTRUCTION



IT IS A VIOLATION OF LAW FOR ANY PERSON, UNLESS THEY ARE ACTING UNDER THE DIRECTION OF A LICENSED PROFESSIONAL ENGINEER, TO ALTER THIS DOCUMENT.

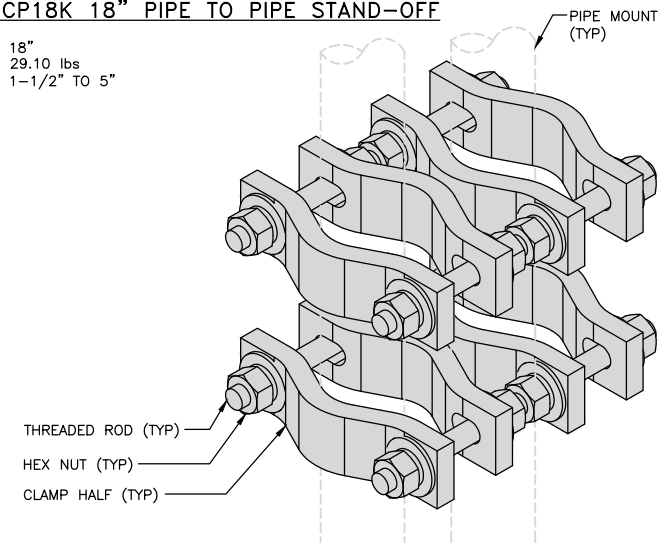
SCHRIEVER AIR FORCE BASE
 COLO2065
 15642 HIGHWAY 94
 COLORADO SPRINGS, CO 80930
 CELL SITE RF MODIFICATIONS

SHEET TITLE
 EQUIPMENT DETAILS

SHEET NUMBER
C-5

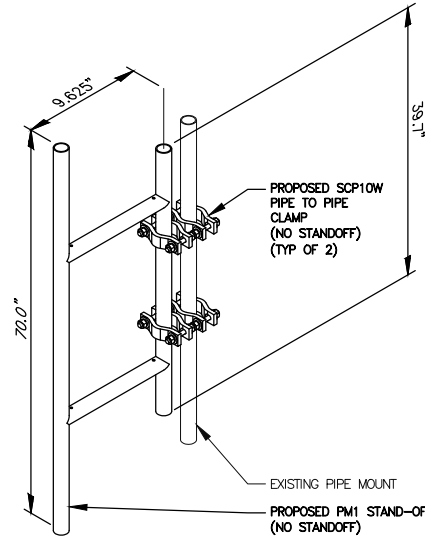
SITE PRO 1 DCP18K 18" PIPE TO PIPE STAND-OFF

THREAD LENGTH: 18"
 WEIGHT: 29.10 lbs
 O.D. PIPE: 1-1/2" TO 5"



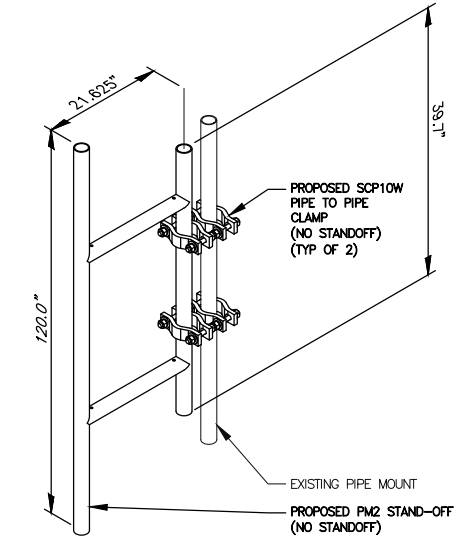
SITE PRO 1 PM1 1' PANEL STAND-OFF MOUNT

WEIGHT: 51.04 lbs.



SITE PRO 1 PM2 2' PANEL STAND-OFF MOUNT

WEIGHT: 51.04 lbs.



PIPE TO PIPE STAND-OFF DETAIL	NO SCALE	1	STAND-OFF MOUNT DETAIL	NO SCALE	2	STAND-OFF MOUNT DETAIL	NO SCALE	3
-------------------------------	----------	---	------------------------	----------	---	------------------------	----------	---

NOT USED	NO SCALE	4	NOT USED	NO SCALE	5	NOT USED	NO SCALE	6
----------	----------	---	----------	----------	---	----------	----------	---

NOT USED	NO SCALE	7	NOT USED	NO SCALE	8	NOT USED	NO SCALE	9
----------	----------	---	----------	----------	---	----------	----------	---

188 INVERNESS DRIVE WEST
 SUITE 400
 ENGLEWOOD, CO 80112

4600 SOUTH SYRACUSE STREET
 SUITE 800
 DENVER, COLORADO 80237

PROJECT/PHASE NO:	129551/1183
DRAWN BY:	VDP
CHECKED BY:	JMH
RFDS:	

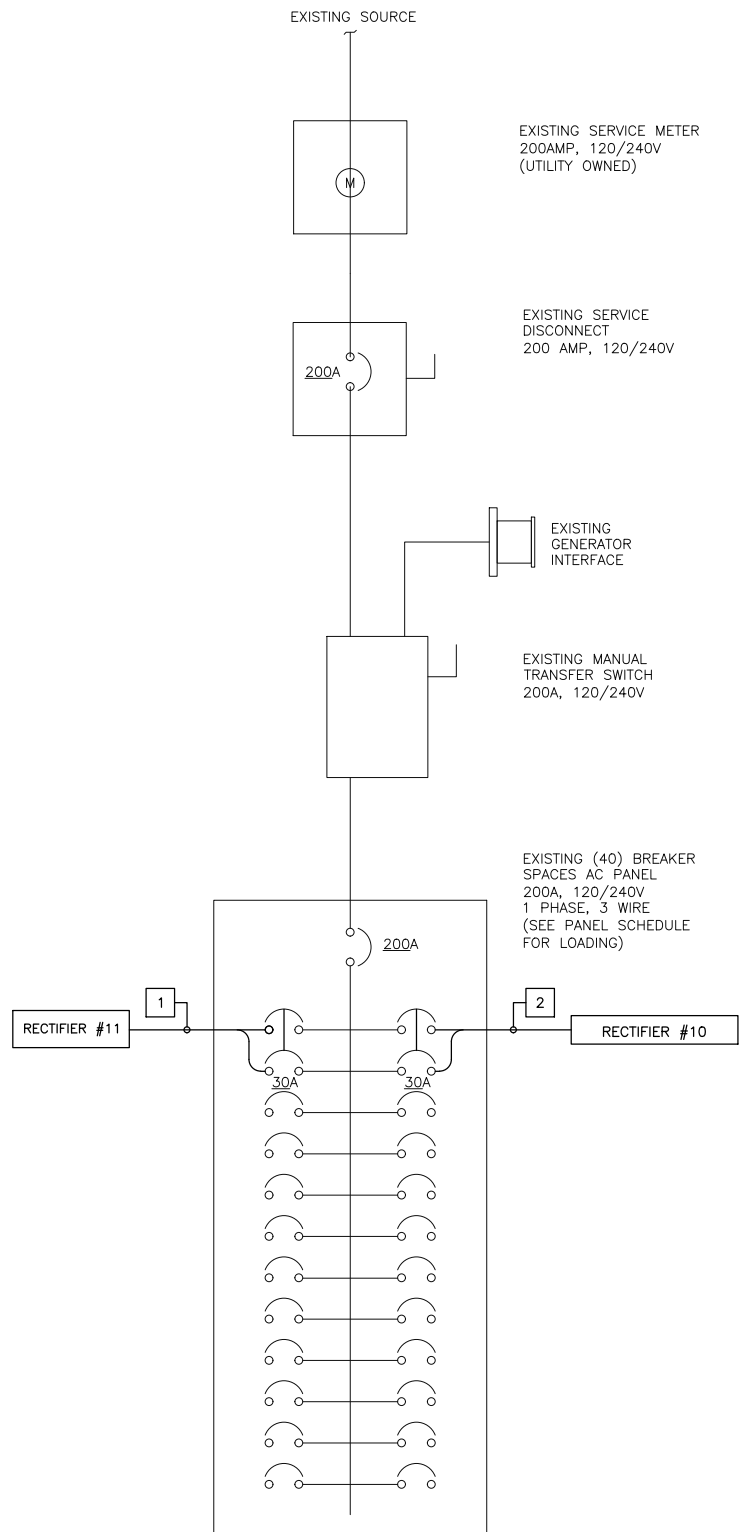
REV	DATE	DESCRIPTION
0	05/23/24	ISSUED FOR CONSTRUCTION

IT IS A VIOLATION OF LAW FOR ANY PERSON, UNLESS THEY ARE ACTING UNDER THE DIRECTION OF A LICENSED PROFESSIONAL ENGINEER, TO ALTER THIS DOCUMENT.

SCHRIEVER AIR FORCE BASE
 COL02065
 15642 HIGHWAY 94
 COLORADO SPRINGS, CO 80930
 CELL SITE RF MODIFICATIONS

SHEET TITLE
EQUIPMENT DETAILS

SHEET NUMBER
C-6



AC CIRCUIT SCHEDULE			
NO.	FROM	TO	CONFIGURATION
1	AC LOAD CENTER	RECTIFIERS #11	(2) #10 CU THHN/THWN-2, (1) #10 CU EGC
2	AC LOAD CENTER	RECTIFIERS #10	EXISTING

NOTES
 1. PER THE POWER PLANT MANUFACTURER EACH 30A 2-POLE AC CIRCUIT BREAKER WILL FEED 2 RECTIFIERS. EXISTING RECTIFIER #9 AND PROPOSED RECTIFIER #10 WILL SHARE EXISTING CIRCUIT BREAKER.

- CONTRACTOR SHALL INSPECT THE EXISTING CONDITIONS PRIOR TO SUBMITTING A BID. ANY QUESTIONS ARISING DURING THE BID PERIOD IN REGARDS TO THE CONTRACTOR'S FUNCTIONS, THE SCOPE OF WORK, OR ANY OTHER ISSUE RELATED TO THIS PROJECT SHALL BE BROUGHT UP DURING THE BID PERIOD WITH THE PROJECT MANAGER FOR CLARIFICATION, NOT AFTER THE CONTRACT HAS BEEN AWARDED.
- ALL ELECTRICAL WORK SHALL BE DONE IN ACCORDANCE WITH CURRENT NATIONAL ELECTRICAL CODES AND ALL STATE AND LOCAL CODES, LAWS, AND ORDINANCES. PROVIDE ALL COMPONENTS AND WIRING SIZES AS REQUIRED TO MEET NEC STANDARDS.
- LOCATION OF EQUIPMENT, CONDUIT AND DEVICES SHOWN ON THE DRAWINGS ARE APPROXIMATE AND SHALL BE COORDINATED WITH FIELD CONDITIONS PRIOR TO CONSTRUCTION.
- CONDUIT ROUGH-IN SHALL BE COORDINATED WITH THE MECHANICAL EQUIPMENT TO AVOID LOCATION CONFLICTS. VERIFY WITH THE MECHANICAL EQUIPMENT CONTRACTOR AND COMPLY AS REQUIRED.
- CONTRACTOR SHALL PROVIDE ALL BREAKERS, CONDUITS AND CIRCUITS AS REQUIRED FOR A COMPLETE SYSTEM.
- CONTRACTOR SHALL PROVIDE PULL BOXES AND JUNCTION BOXES AS REQUIRED BY THE NEC ARTICLE 314.
- CONTRACTOR SHALL PROVIDE ALL STRAIN RELIEF AND CABLE SUPPORTS FOR ALL CABLE ASSEMBLIES. INSTALLATION SHALL BE IN ACCORDANCE WITH MANUFACTURER'S SPECIFICATIONS AND RECOMMENDATIONS.
- ALL DISCONNECTS AND CONTROLLING DEVICES SHALL BE PROVIDED WITH ENGRAVED PHENOLIC NAMEPLATES INDICATING EQUIPMENT CONTROLLED, BRANCH CIRCUITS INSTALLED ON, AND PANEL FIELD LOCATIONS FED FROM.
- INSTALL AN EQUIPMENT GROUNDING CONDUCTOR IN ALL CONDUITS PER THE SPECIFICATIONS AND NEC 250. THE EQUIPMENT GROUNDING CONDUCTORS SHALL BE BONDED AT ALL JUNCTION BOXES, PULL BOXES, AND ALL DISCONNECT SWITCHES, AND EQUIPMENT CABINETS.
- ALL NEW MATERIAL SHALL HAVE A U.L. LABEL.
- PANEL SCHEDULE LOADING AND CIRCUIT ARRANGEMENTS REFLECT POST-CONSTRUCTION EQUIPMENT.
- CONTRACTOR SHALL BE RESPONSIBLE FOR AS-BUILT PANEL SCHEDULE AND SITE DRAWINGS.



CIRCUIT SCHEDULE 2 NOTES 3

CKT	LOAD DESCRIPTION	BREAKER AMPS	BREAKER POLES	BREAKER STATUS	SERVICE LOAD VA	Demand Factor	USAGE FACTOR	PHASE A VA	PHASE B VA	USAGE FACTOR	Demand Factor	SERVICE LOAD VA	BREAKER STATUS	BREAKER POLES	BREAKER AMPS	LOAD DESCRIPTION	CKT
1	BATTERY CABINET GFCI RECEPTACLE	20	1	ON	180	1.00	1.00	360		1.00	1.00	180	ON	1	20	GFCI RECEPTACLE	2
3	BATTERY HEATER 1	20	1	ON	500	1.00	1.00		600	1.00	1.00	100	ON	1	20	LIGHT	4
5	BATTERY HEATER 2	20	1	ON	500	1.00	1.00	620		1.00	1.00	120	ON	1	20	TELCO RECEPTACLE	6
7									0								8
9								0		1.00	1.00	0	OFF	1	20	UMTS GFCI RECEPTACLE	10
11									800	1.00	1.00	800	ON	1	20	DDB CABINET A/C	12
13								180		1.00	1.00	180	ON	1	20	POWER PLANT GFCI RECEPTACLE	14
15									800	1.00	1.00	800	ON	1	20	POWER PLANT BATTERY HEATER	16
17								0		1.00	1.00	0	OFF	2	20	SPARE	18
19					10	1.00	1.00		10	1.00	1.00	0	OFF	2	20		20
21	TVSS	60	2	ON	10	1.00	1.00	2010		1.00	1.00	2000	ON	2	30	RECTIFIER #1 & 2	22
23	RECTIFIER #11	30	2	NEW	1000	1.00	1.00	3000		1.00	1.00	2000	ON	2	30	RECTIFIER #3 & 4	24
25					1000	1.00	1.00	3000		1.00	1.00	2000	ON	2	30	RECTIFIER #5 & 6	26
27	SPARE	40	2	OFF	0	1.00	1.00	2000		1.00	1.00	2000	ON	2	30	RECTIFIER #7 & 8	28
29					0	1.00	1.00	2000		1.00	1.00	2000	ON	2	30	RECTIFIER #9 & 10	30
31									2000	1.00	1.00	2000					32
33									2000	1.00	1.00	2000	ON	2	30		34
35									2000	1.00	1.00	2000					36
37									2000	1.00	1.00	2000	ON/NEW	2	30		38
39									2000	1.00	1.00	2000					40
								PHASE A	PHASE B								
								12170	13210								
								TOTAL		KVA	25.38						
								TOTAL		AMPS	105.75						
≤ 80% OF MAIN BREAKER																	

PROJECT/PHASE NO: 129551/1183
 DRAWN BY: VDP
 CHECKED BY: JMH
 RFDS:

REV	DATE	DESCRIPTION
0	05/23/24	ISSUED FOR CONSTRUCTION



IT IS A VIOLATION OF LAW FOR ANY PERSON, UNLESS THEY ARE ACTING UNDER THE DIRECTION OF A LICENSED PROFESSIONAL ENGINEER, TO ALTER THIS DOCUMENT.

SCHRIEVER AIR FORCE BASE
 COL02065
 15642 HIGHWAY 94
 COLORADO SPRINGS, CO 80930
 CELL SITE RF MODIFICATIONS

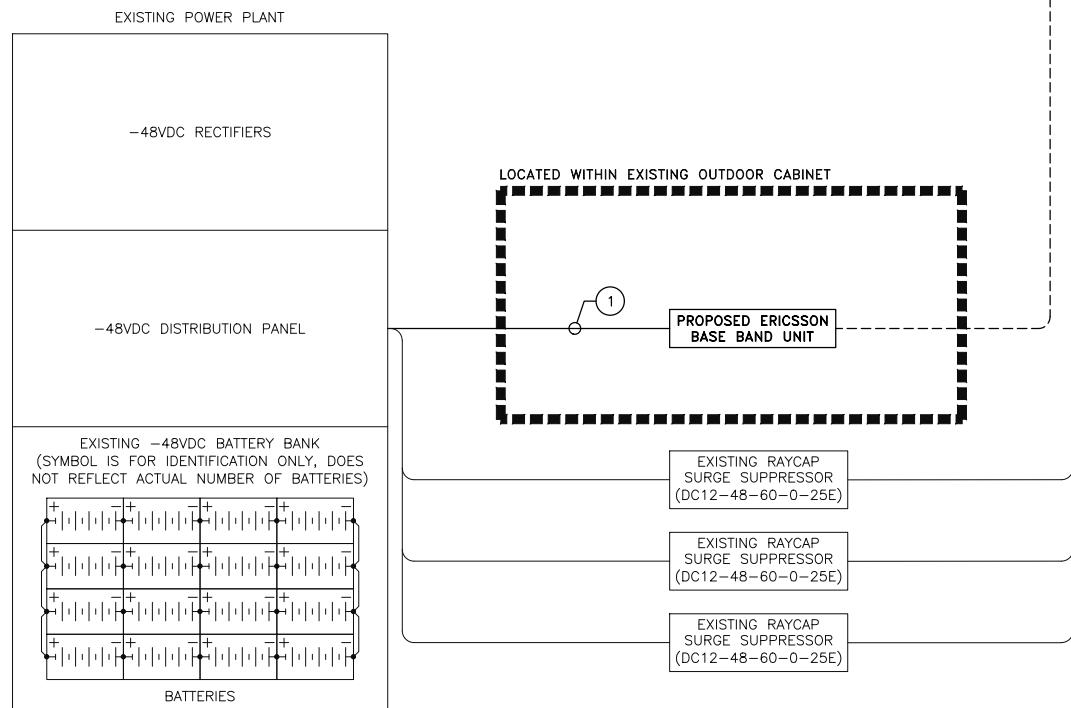
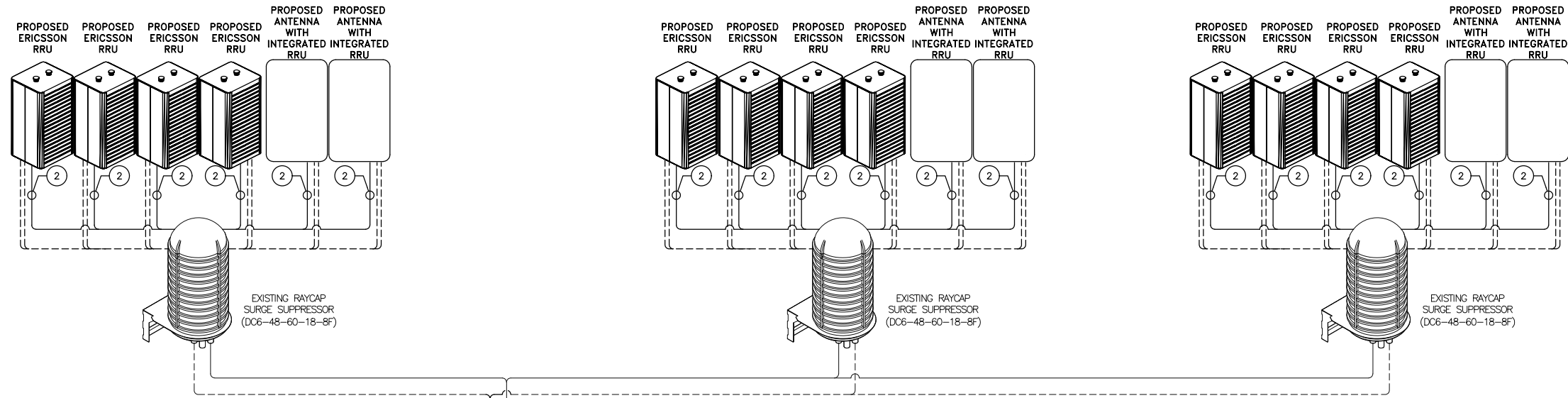
SHEET TITLE
 ELECTRICAL AC ONE-LINE
 DIAGRAM

SHEET NUMBER
E-1

DC CIRCUIT SCHEDULE			
NO.	FROM	TO	CONFIGURATION
①	EXISTING -48VDC DISTRIBUTION PANEL	PROPOSED BASE BAND UNIT	(2) 1-#12 TELCOFLEX III DC CABLE
②	EXISTING RAYCAP SURGE SUPPRESSOR DC6-48-60-18-8F	PROPOSED REMOTE RADIO UNIT (RRU)	(1) 2-#8 THHN/THWN/VW-1 TYPE TC-ER DC CABLE

NOTES

- DC POWER WIRING SHALL BE COLOR CODED AT EACH END FOR IDENTIFYING +24V AND -48V CONDUCTORS. RED MARKINGS SHALL IDENTIFY +24V AND BLUE MARKINGS SHALL IDENTIFY -48V. REFER TO ATT-002-290-701.
- NON-LTE DC POWER WIRING SIZE 14 AWG TO 10 AWG SHALL BE TELCOFLEX III. DC POWER WIRING 8 AWG AND LARGER SHALL BE TELCOFLEX IV.
- LTE POWER WIRING SHALL BE IN ACCORDANCE WITH ATT-002-290-531.
- DC ELECTRICAL DEMAND FOR THE PROPOSED ADDITIONS WERE INCLUDED IN AC LOAD CALCULATIONS.
- CONNECT ALL PROPOSED ERICSSON RRU SECOND CPRI TO SURGE SUPPRESSOR FOR FUTURE USE.
- CONTRACTOR TO RECONNECT ALL EXISTING EQUIPMENT TO PROPOSED POWER PLANT.



ELECTRICAL DC ONE-LINE DIAGRAM

NO SCALE



188 INVERNESS DRIVE WEST
SUITE 400
ENGLEWOOD, CO 80112



BLACK & VEATCH

4600 SOUTH SYRACUSE STREET
SUITE 800
DENVER, COLORADO 80237

PROJECT/PHASE NO: 129551/1183

DRAWN BY: VDP

CHECKED BY: JMH

RFDS:

REV	DATE	DESCRIPTION
0	05/23/24	ISSUED FOR CONSTRUCTION

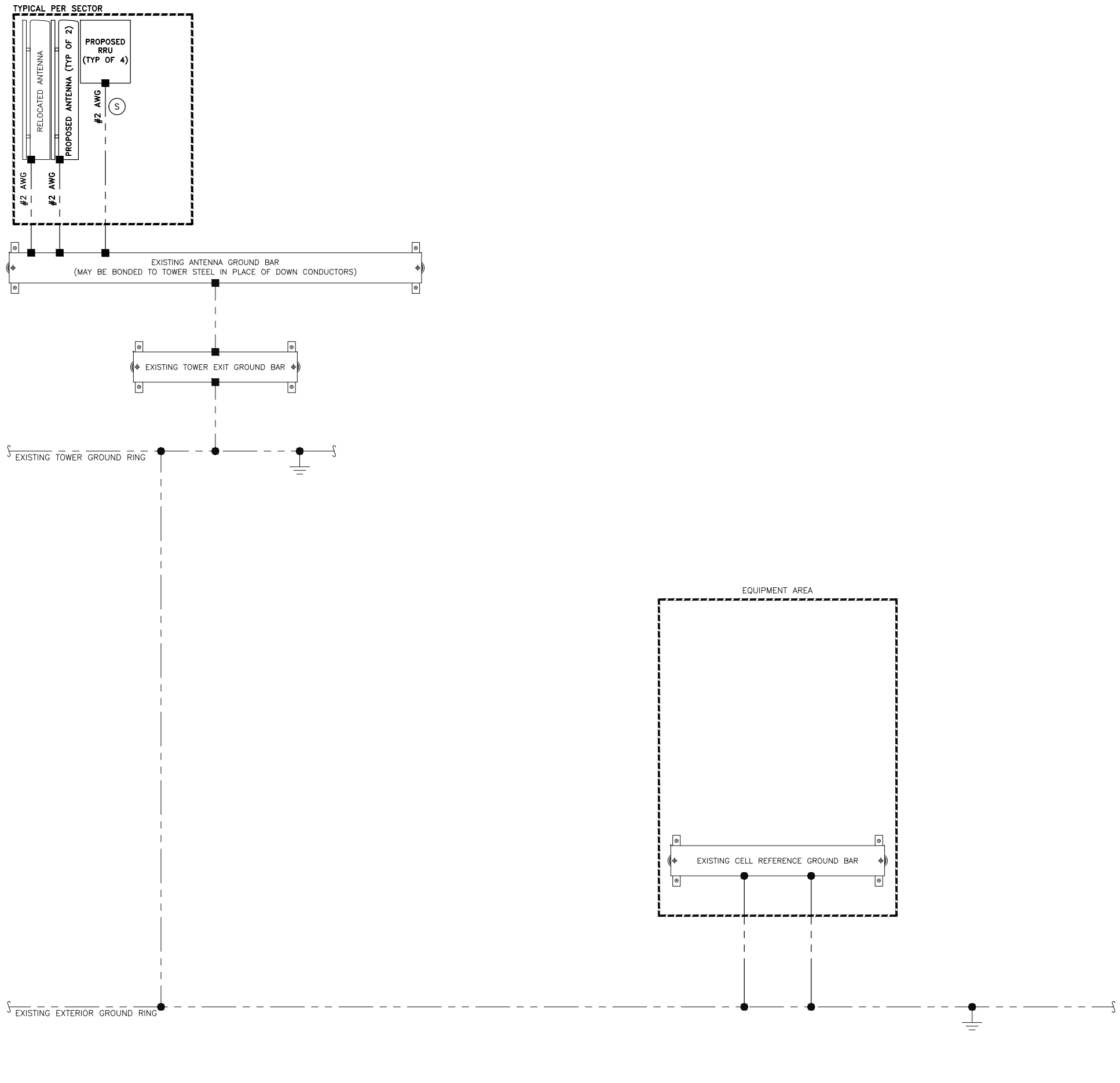


IT IS A VIOLATION OF LAW FOR ANY PERSON, UNLESS THEY ARE ACTING UNDER THE DIRECTION OF A LICENSED PROFESSIONAL ENGINEER, TO ALTER THIS DOCUMENT.

SCHRIEVER AIR FORCE BASE
COL02065
15642 HIGHWAY 94
COLORADO SPRINGS, CO 80930
CELL SITE RF MODIFICATIONS

SHEET TITLE
ELECTRICAL DC ONE-LINE
DIAGRAM

SHEET NUMBER
E-2



GROUNDING ONE-LINE DIAGRAM

NO SCALE

- EXOTHERMIC CONNECTION
- MECHANICAL CONNECTION
- ⊥ GROUND ROD
- ⊥ T TEST GROUND ROD WITH INSPECTION SLEEVE

LEGEND

1. GROUNDING IS SHOWN DIAGRAMMATICALLY ONLY.
2. CONTRACTOR SHALL GROUND ALL EQUIPMENT AS A COMPLETE SYSTEM. GROUNDING SHALL BE IN COMPLIANCE WITH NEC SECTION 250 AND AT&T GROUNDING AND BONDING REQUIREMENTS (ATT-TP-76416) AND MANUFACTURER'S SPECIFICATIONS.
3. ALL GROUND CONDUCTORS SHALL BE COPPER; NO ALUMINUM CONDUCTORS SHALL BE USED.

NOTES

- (A) **EXTERIOR GROUND RING:** #2 AWG SOLID COPPER, BURIED AT A DEPTH OF AT LEAST 30 INCHES BELOW GRADE, OR 6 INCHES BELOW THE FROST LINE AND APPROXIMATELY 24 INCHES FROM THE EXTERIOR WALL OR FOOTING. (ATT-TP-76416 2.2.3.5 / 7.5.1)
- (B) **TOWER GROUND RING:** THE GROUND RING SYSTEM SHALL BE INSTALLED AROUND AN ANTENNA TOWER'S LEGS, AND/OR GUY ANCHORS, WHERE SEPARATE SYSTEMS HAVE BEEN PROVIDED FOR THE TOWER AND THE BUILDING, AT LEAST TWO BONDS SHALL BE MADE BETWEEN THE TOWER RING GROUND SYSTEM AND THE BUILDING RING GROUND SYSTEM USING MINIMUM #2 AWG SOLID COPPER CONDUCTORS. (ATT-TP-76416 / 7.5.1)
- (C) **INTERIOR GROUND RING:** #2 AWG STRANDED GREEN INSULATED COPPER CONDUCTOR EXTENDED AROUND THE PERIMETER OF THE EQUIPMENT AREA. ALL NON-TELECOMMUNICATIONS RELATED METALLIC OBJECTS FOUND WITHIN A SITE SHALL BE GROUNDED TO THE INTERIOR GROUND RING WITH #6 AWG STRANDED GREEN INSULATED CONDUCTOR. (ATT-TP-76416 / 7.6.4)
- (D) **BOND TO INTERIOR GROUND RING:** #2 AWG SOLID TINNED COPPER WIRE PRIMARY BONDS SHALL BE PROVIDED AT LEAST AT FOUR POINTS ON THE INTERIOR GROUND RING, LOCATED AT THE CORNERS OF THE BUILDING. (ATT-TP-76416 7.5.2.2)
- (E) **GROUND ROD:** UL LISTED COPPER CLAD STEEL. MINIMUM 5/8" DIAMETER BY EIGHT FEET LONG. GROUND RODS SHALL BE INSTALLED WITH INSPECTION SLEEVES. GROUND RODS SHALL BE DRIVEN TO THE DEPTH OF GROUND RING CONDUCTOR. (ATT-TP-76416)
- (F) **CELL REFERENCE GROUND BAR:** POINT OF GROUND REFERENCE FOR ALL COMMUNICATIONS EQUIPMENT FRAMES. ALL BONDS ARE MADE WITH #2 AWG UNLESS NOTED OTHERWISE STRANDED GREEN INSULATED COPPER CONDUCTORS. BOND TO GROUND RING WITH (2) #2 SOLID TINNED COPPER CONDUCTORS. (ATT-TP-76416 / 7.6.7)
- (G) **HATCH PLATE GROUND BAR:** BOND TO THE INTERIOR GROUND RING WITH TWO #2 AWG STRANDED GREEN INSULATED COPPER CONDUCTORS. WHEN A HATCH-PLATE AND A CELL REFERENCE GROUND BAR ARE BOTH PRESENT, THE CRGB MUST BE CONNECTED TO THE HATCH-PLATE AND TO THE INTERIOR GROUND RING USING (2) TWO #2 AWG STRANDED GREEN INSULATED COPPER CONDUCTORS EACH.
- (H) **EXTERIOR CABLE ENTRY PORT GROUND BARS:** LOCATED AT THE ENTRANCE TO THE CELL SITE BUILDING. BOND TO GROUND RING WITH A #2 AWG SOLID TINNED COPPER CONDUCTORS WITH AN EXOTHERMIC WELD AND INSPECTION SLEEVE. (ATT-TP-76416 / 7.6.7.2)
- (J) **TOWER EXIT GROUND BAR:** #2 AWG SOLID TINNED COPPER BOND TO THE TOWER GROUND RING. (ATT-TP-76416 / 7.4.2.6)
- (K) **TELCO GROUND BAR:** BOND TO BOTH CELL REFERENCE GROUND BAR AND EXTERIOR GROUND RING. (ATT-TP-76416 / 7.6.8)
- (L) **FRAME BONDING:** THE BONDING POINT FOR TELECOM EQUIPMENT FRAMES SHALL BE THE GROUND BUS THAT IS NOT ISOLATED FROM THE EQUIPMENTS METAL FRAMEWORK. BOND THE FRAME GROUND TO THE "1" SECTION OF THE CELL REFERENCE GROUND BAR OR SUPPLEMENTARY CONDUCTOR. (ATT-TP-76416 6.5.3 AND 7.8)
- (M) **INTERIOR UNIT BONDS:** METAL FRAMES, CABINETS AND INDIVIDUAL METALLIC UNITS LOCATED WITH THE AREA OF THE INTERIOR GROUND RING REQUIRE A #6 AWG STRANDED GREEN INSULATED COPPER BOND TO THE INTERIOR GROUND RING. (ATT-TP-76416 / 7.12.3.1)
- (N) **FENCE AND GATE GROUNDING:** METAL FENCES WITHIN 7 FEET OF THE EXTERIOR GROUND RING OR OBJECTS BONDED TO THE EXTERIOR GROUND RING SHALL BE BONDED TO THE GROUND RING WITH A #2 AWG SOLID TINNED COPPER CONDUCTOR AT AN INTERVAL NOT EXCEEDING 25 FEET. BONDS SHALL BE MADE AT EACH GATE POST AND ACROSS GATE OPENINGS. (ATT-TP-76416 / 7.12.2.2)
- (P) **EXTERIOR UNIT BONDS:** METALLIC OBJECTS, EXTERNAL TO OR MOUNTED TO THE BUILDING, SHALL BE BONDED TO THE EXTERIOR GROUND RING. (ATT-TP-76416 7.12.2)
- (Q) **ICE BRIDGE SUPPORTS:** EACH ICE BRIDGE LEG SHALL BE BONDED TO THE GROUND RING WITH #2 AWG BARE TINNED COPPER CONDUCTOR. PROVIDE EXOTHERMIC WELDS AT BOTH THE ICE BRIDGE LEG AND BURIED GROUND RING. (ATT-TP-76416 / 7.4.2.6)
- (R) **DURING ALL DC POWER SYSTEM CHANGES** INCLUDING DC SYSTEM CHANGE OUTS, RECTIFIER REPLACEMENTS OR ADDITIONS, BREAKER DISTRIBUTION CHANGES, BATTERY ADDITIONS, BATTERY REPLACEMENTS AND INSTALLATIONS OR CHANGES TO DC CONVERTER SYSTEMS IT SHALL BE REQUIRED THAT SERVICE CONTRACTORS VERIFY ALL DC POWER SYSTEMS ARE EQUIPPED WITH A MASTER DC SYSTEM RETURN GROUND CONDUCTOR FROM THE DC POWER SYSTEM COMMON RETURN BUS DIRECTLY CONNECTED TO THE CELL SITE REFERENCE GROUND BAR (CRGB) PER TP76300 SECTION H 6 AND TP76416 FIGURE 7-11 REQUIREMENTS.
- (S) **OUTDOOR GROUNDING CONDUCTORS:** GROUNDING CONDUCTORS INSTALLED OUTDOORS AND RUN ENTIRELY ABOVE GRADE SHALL BE TINNED STRANDED COPPER AND BE SUNLIGHT RESISTANT.

GROUNDING KEY NOTES



188 INVERNESS DRIVE WEST
SUITE 400
ENGLEWOOD, CO 80112



4600 SOUTH SYRACUSE STREET
SUITE 800
DENVER, COLORADO 80237

PROJECT/PHASE NO:	129551/1183
DRAWN BY:	VDP
CHECKED BY:	JMH
RFDS:	

REV	DATE	DESCRIPTION
0	05/23/24	ISSUED FOR CONSTRUCTION

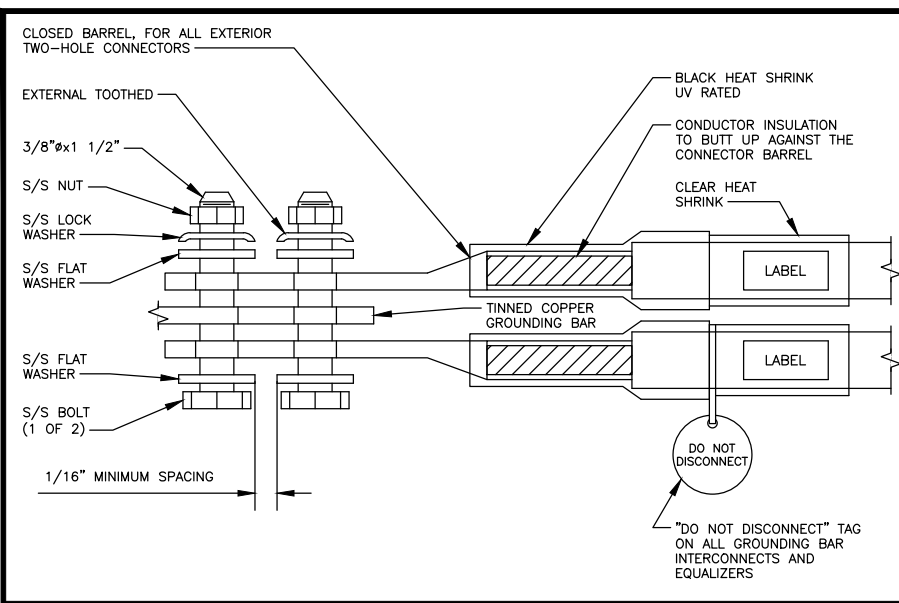


IT IS A VIOLATION OF LAW FOR ANY PERSON, UNLESS THEY ARE ACTING UNDER THE DIRECTION OF A LICENSED PROFESSIONAL ENGINEER, TO ALTER THIS DOCUMENT.

SCHRIEVER AIR FORCE BASE
COL02065
15642 HIGHWAY 94
COLORADO SPRINGS, CO 80930
CELL SITE RF MODIFICATIONS

SHEET TITLE
GROUNDING ONE-LINE
DIAGRAM

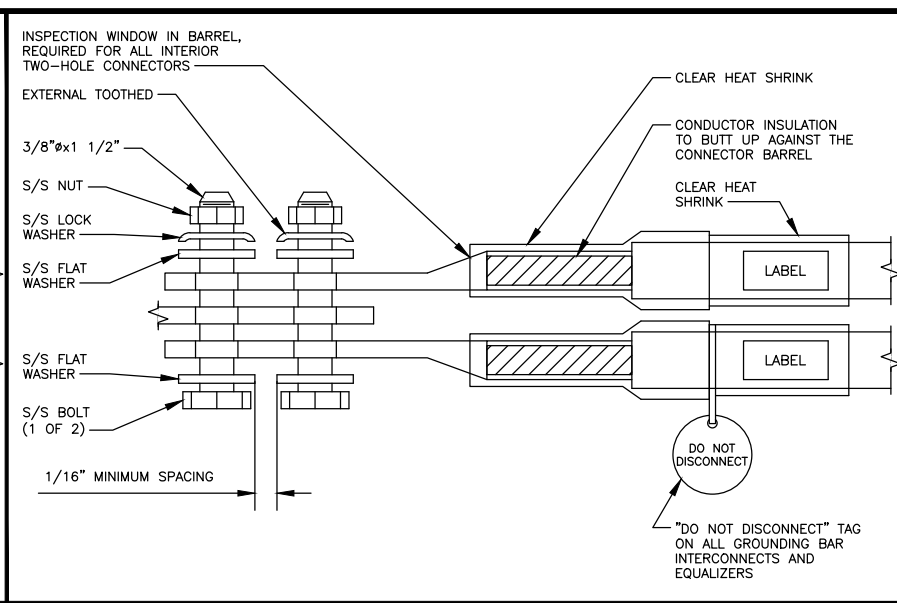
SHEET NUMBER
G-1



INTERIOR TWO HOLE LUG

NO SCALE

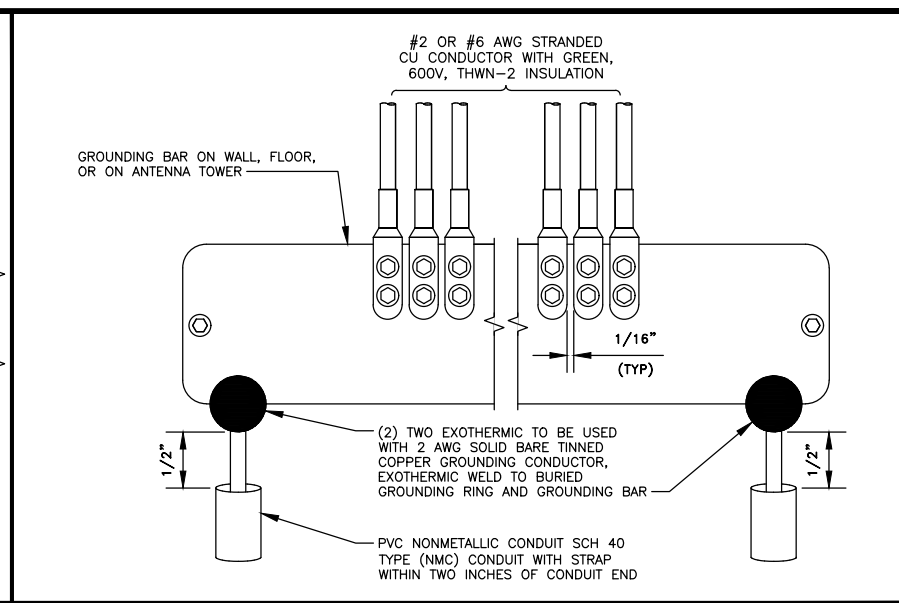
1



EXTERIOR TWO HOLE LUG

NO SCALE

2



INSTALLATION OF GROUNDING CONDUCTOR TO GROUNDING BAR

NO SCALE

3

EACH GROUND CONDUCTOR TERMINATING ON ANY GROUND BAR SHALL HAVE AN IDENTIFICATION TAG ATTACHED AT EACH END THAT WILL IDENTIFY ITS ORIGIN AND DESTINATION

SECTION "P" - SURGE PROTECTORS

- (EC) CABLE ENTRY PORTS (HATCH PLATES) (#2)
- (EC) TELCO GROUND BAR (#2)
- (EC) COMMERCIAL POWER COMMON NEUTRAL/GROUND BOND (#2)
- (AT&T) CELL SITE +24V POWER SUPPLY RETURN BAR (#2)
- (AT&T) CELL SITE -48V POWER SUPPLY RETURN BAR (#2)
- (EC) GENERATOR FRAMEWORK (IF AVAILABLE) (#2)
- (AT&T) RECTIFIER FRAMES
- (AT&T) ANTENNA SUPPRESSION

SECTION "A" - SURGE ABSORBERS

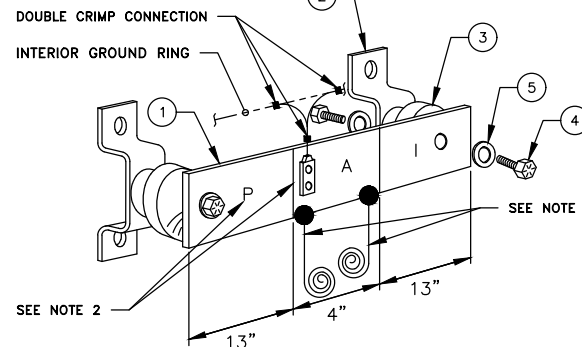
- (EC) INTERIOR GROUND RING (#2)
- (EC) EXTERNAL EARTH GROUND FIELD (BURIED GROUND RING) (#2)
- (EC) METALLIC COLD WATER PIPE (IF AVAILABLE) (#2)
- (EC) BUILDING STEEL (IF AVAILABLE) (#2)

SECTION "I" - ISOLATED GROUNDING ZONE

- (AT&T) ALL CELL SITE COMMUNICATIONS EQUIPMENT FRAMES

DETAIL NOTES

1. EXOTHERMICALLY WELD #2 AWG BARE TINNY SOLID COPPER CONDUCTOR TO GROUND BAR. ROUTE CONDUCTOR TO BURIED GROUND RING AND PROVIDE PARALLEL EXOTHERMIC WELD.
2. EC SHALL PERMANENTLY MARK THE LINES BETWEEN EACH SECTION AND LABEL EACH SECTION ("P", "A", "I") WITH 1" HIGH LETTERS.
3. GROUND BAR SHALL BE ENGRAVED PER AT&T SPECIFICATIONS TO PREVENT THEFT.



(MGB) REFERENCE GROUNDING BAR

NO SCALE

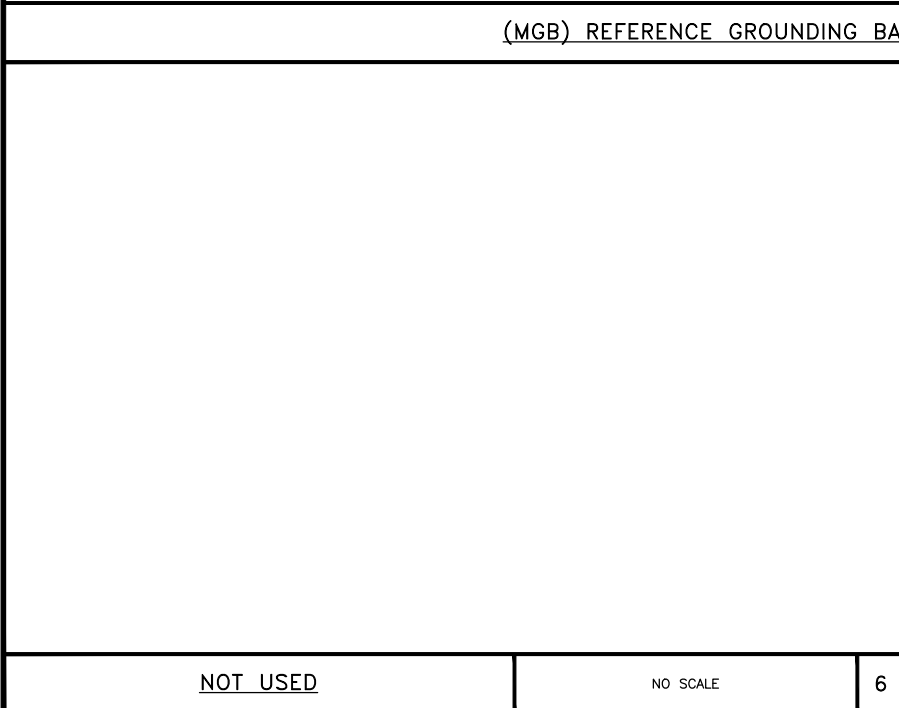
4

1. ALL MAIN CABLES WILL BE GROUND W/ COAXIAL CABLE GROUND KITS AT:
 - A. THE ANTENNA LEVEL.
 - B. MID LEVEL IF TOWER IS OVER 200'.
 - C. BASE OF TOWER PRIOR TO TURNING HORIZONTAL.
 - D. OUTSIDE THE EQUIPMENT SHELTER AT ENTRY PORT.
 - E. INSIDE THE EQUIPMENT SHELTER AT THE ENTRY PORT.
2. ALL PROPOSED GROUND BAR DOWNLOADS ARE TO BE CADWELDED TO THE EXISTING ADJACENT GROUND BAR DOWNLOADS A MINIMUM DISTANCE OF FOUR FEET BELOW GROUND BAR.
3. IT IS THE CONTRACTOR'S RESPONSIBILITY TO VERIFY ANTENNA AND COAX CONFIGURATION, MAKE AND MODELS PRIOR TO INSTALLATION.
4. DO NOT ALLOW THE COPPER CONDUCTOR TO TOUCH THE GALVANIZED GUY WIRE AT THE CONNECTION POINT OR AT ANY OTHER POINT. NO EXOTHERMICALLY WELDED CONNECTION SHALL BE MADE TO THE GUY WIRE.
5. SUBCONTRACTOR SHALL GROUND ALL EQUIPMENT INCLUDING ANTENNAS, RET MOTORS, TMA'S, COAX CABLES, AND RET CONTROL CABLES AS A COMPLETE SYSTEM. GROUNDING SHALL BE EXECUTED BY QUALIFIED PERSONNEL IN COMPLIANCE WITH MANUFACTURER'S SPECIFICATIONS AND RECOMMENDATIONS.
6. DO NOT INSTALL CABLE GROUNDING KIT AT A BEND AND ALWAYS DIRECT GROUNDING CONDUCTOR DOWN TO GROUNDING BAR.
7. GROUNDING KIT SHALL BE TYPE AND PART NUMBER AS SUPPLIED OR RECOMMENDED BY CABLE MANUFACTURER.
8. WEATHERPROOFING SHALL BE TYPE AND PART NUMBER AS SUPPLIED OR RECOMMENDED BY CABLE MANUFACTURER.
9. ALL EXTERIOR HEAT SHRINK OR HEAT SHRINK EXPOSED TO U/V LIGHT SHALL BE BLACK. ALL INTERIOR HEAT SHRINK SHALL BE CLEAR.
10. NUMBER OF GROUNDING BARS MAY VARY DEPENDING ON THE TYPE OF TOWER, ANTENNA LOCATION, AND CONNECTION ORIENTATION. THE SUBCONTRACTOR SHALL BE RESPONSIBLE FOR INSTALLING ADDITIONAL GROUNDING BAR AS REQUIRED, PROVIDING 50% SPARE CONNECTION POINTS.
11. PROVIDE GROUNDING KIT 6" BEFORE TURN TRANSITION FROM TOWER TO ICE BRIDGE.

NOTES

NO SCALE

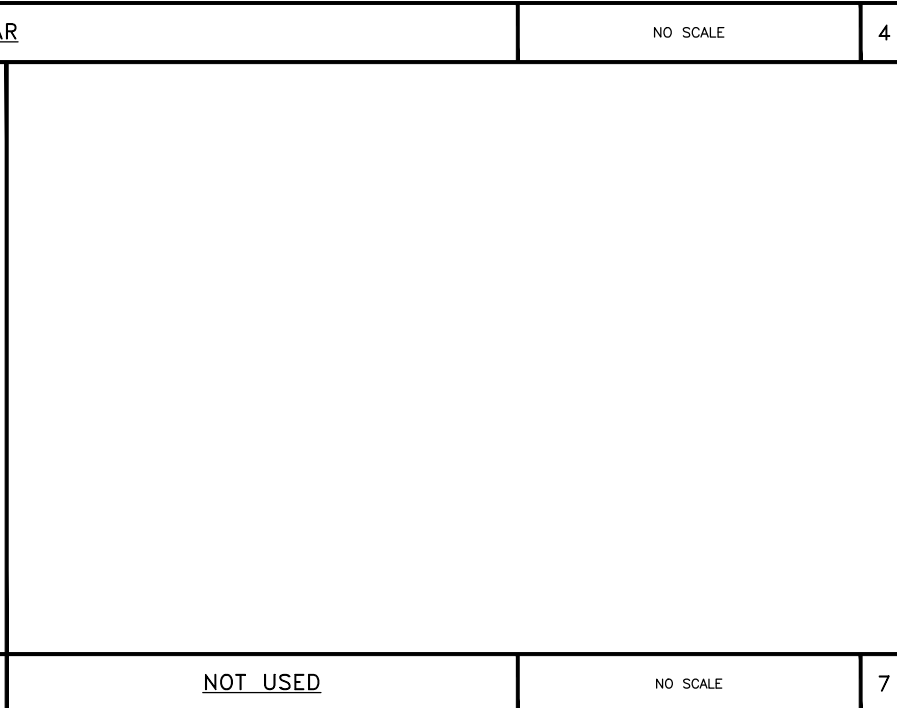
5



NOT USED

NO SCALE

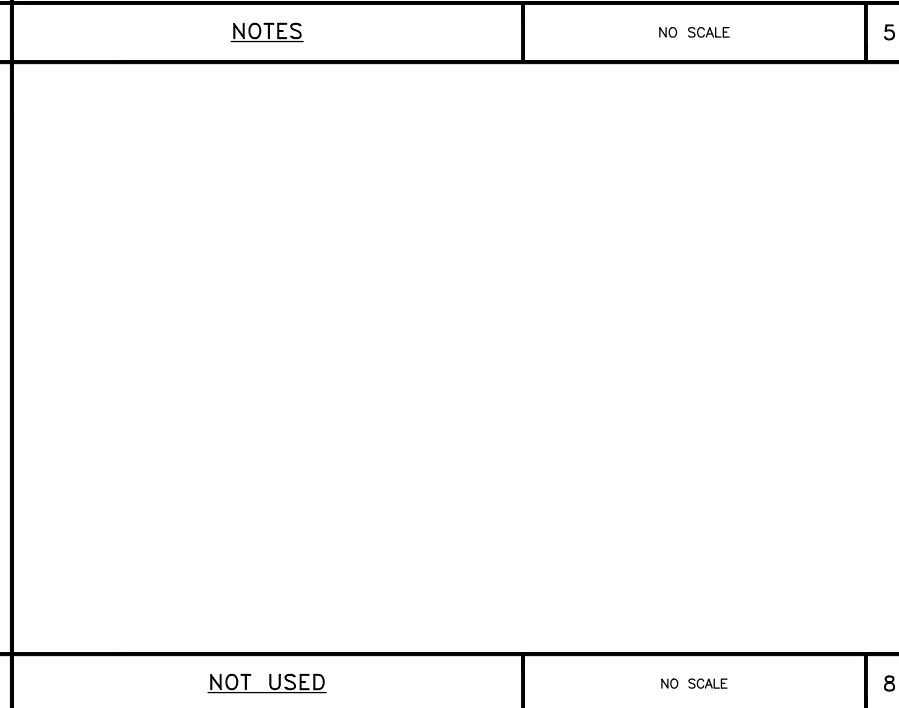
6



NOT USED

NO SCALE

7



NOT USED

NO SCALE

8

188 INVERNESS DRIVE WEST
SUITE 400
ENGLEWOOD, CO 80112

4600 SOUTH SYRACUSE STREET
SUITE 800
DENVER, COLORADO 80237

PROJECT/PHASE NO:	129551/1183
DRAWN BY:	VDP
CHECKED BY:	JMH
RFDS:	

REV	DATE	DESCRIPTION
0	05/23/24	ISSUED FOR CONSTRUCTION

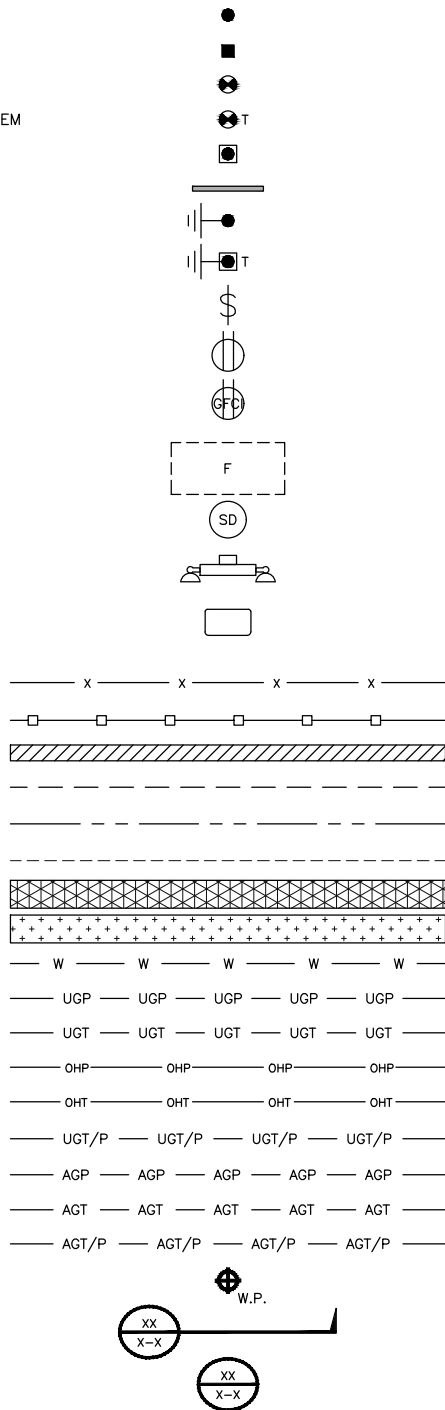
IT IS A VIOLATION OF LAW FOR ANY PERSON, UNLESS THEY ARE ACTING UNDER THE DIRECTION OF A LICENSED PROFESSIONAL ENGINEER, TO ALTER THIS DOCUMENT.

SCHRIEVER AIR FORCE BASE
COL02065
15642 HIGHWAY 94
COLORADO SPRINGS, CO 80930
CELL SITE RF MODIFICATIONS

SHEET TITLE
GROUNDING DETAILS

SHEET NUMBER
G-2

EXOTHERMIC CONNECTION
 MECHANICAL CONNECTION
 CHEMICAL ELECTROLYTIC GROUNDING SYSTEM
 TEST CHEMICAL ELECTROLYTIC GROUNDING SYSTEM
 EXOTHERMIC WITH INSPECTION SLEEVE
 GROUNDING BAR
 GROUND ROD
 TEST GROUND ROD WITH INSPECTION SLEEVE
 SINGLE POLE SWITCH
 DUPLEX RECEPTACLE
 DUPLEX GFCI RECEPTACLE
 FLUORESCENT LIGHTING FIXTURE
 (2) TWO LAMPS 48-T8
 SMOKE DETECTION (DC)
 EMERGENCY LIGHTING (DC)
 SECURITY LIGHT W/PHOTOCELL LITHONIA ALXW
 LED-1-25A400/51K-SR4-120-PE-DBBTXD
 CHAIN LINK FENCE
 WOOD/WROUGHT IRON FENCE
 WALL STRUCTURE
 LEASE AREA
 PROPERTY LINE (PL)
 SETBACKS
 ICE BRIDGE
 CABLE TRAY
 WATER LINE
 UNDERGROUND POWER
 UNDERGROUND TELCO
 OVERHEAD POWER
 OVERHEAD TELCO
 UNDERGROUND TELCO/POWER
 ABOVE GROUND POWER
 ABOVE GROUND TELCO
 ABOVE GROUND TELCO/POWER
 WORKPOINT
 SECTION REFERENCE
 DETAIL REFERENCE



LEGEND

AB ANCHOR BOLT
 ABV ABOVE
 AC ALTERNATING CURRENT
 ADDL ADDITIONAL
 AFF ABOVE FINISHED FLOOR
 AFG ABOVE FINISHED GRADE
 AGL ABOVE GROUND LEVEL
 AIC AMPERAGE INTERRUPTION CAPACITY
 ALUM ALUMINUM
 ALT ALTERNATE
 ANT ANTENNA
 APPROX APPROXIMATE
 ARCH ARCHITECTURAL
 ATS AUTOMATIC TRANSFER SWITCH
 AWG AMERICAN WIRE GAUGE
 BATT BATTERY
 BLDG BUILDING
 BLK BLOCK
 BLKG BLOCKING
 BM BEAM
 BTC BARE TINNED COPPER CONDUCTOR
 BOF BOTTOM OF FOOTING
 CAB CABINET
 CANT CANTILEVERED
 CHG CHARGING
 CLG CEILING
 CLR CLEAR
 COL COLUMN
 COMM COMMON
 CONC CONCRETE
 CONSTR CONSTRUCTION
 DBL DOUBLE
 DC DIRECT CURRENT
 DEPT DEPARTMENT
 DF DOUGLAS FIR
 DIA DIAMETER
 DIAG DIAGONAL
 DIM DIMENSION
 DWG DRAWING
 DWL DOWEL
 EA EACH
 EC ELECTRICAL CONDUCTOR
 EL ELEVATION
 ELEC ELECTRICAL
 EMT ELECTRICAL METALLIC TUBING
 ENG ENGINEER
 EQ EQUAL
 EXP EXPANSION
 EXT EXTERIOR
 EW EACH WAY
 FAB FABRICATION
 FF FINISH FLOOR
 FG FINISH GRADE
 FIF FACILITY INTERFACE FRAME
 FIN FINISH(ED)
 FLR FLOOR
 FDN FOUNDATION
 FOC FACE OF CONCRETE
 FOM FACE OF MASONRY
 FOS FACE OF STUD
 FOW FACE OF WALL
 FS FINISH SURFACE
 FT FOOT
 FTG FOOTING
 GA GAUGE
 GEN GENERATOR
 GFCI GROUND FAULT CIRCUIT INTERRUPTER
 GLB GLUE LAMINATED BEAM
 GLV GALVANIZED
 GPS GLOBAL POSITIONING SYSTEM
 GND GROUND
 GSM GLOBAL SYSTEM FOR MOBILE
 HDG HOT DIPPED GALVANIZED
 HDR HEADER
 HGR HANGER
 HVAC HEAT/VENTILATION/AIR CONDITIONING
 HT HEIGHT
 IGR INTERIOR GROUND RING
 IN INCH
 INT INTERIOR
 LB(S) POUND(S)
 LF LINEAR FEET
 LTE LONG TERM EVOLUTION
 MAS MASONRY
 MAX MAXIMUM
 MB MACHINE BOLT
 MECH MECHANICAL
 MFR MANUFACTURER
 MGB MASTER GROUND BAR
 MIN MINIMUM
 MISC MISCELLANEOUS
 MTL METAL
 MTS MANUAL TRANSFER SWITCH
 MW MICROWAVE
 NEC NATIONAL ELECTRIC CODE
 NM NEWTON METERS
 NO. NUMBER
 # NUMBER
 NTS NOT TO SCALE
 OC ON-CENTER
 OSHA OCCUPATIONAL SAFETY AND HEALTH ADMINISTRATION
 OPNG OPENING
 P/C PRECAST CONCRETE
 PCS PERSONAL COMMUNICATION SERVICES
 PCU PRIMARY CONTROL UNIT
 PRC PRIMARY RADIO CABINET
 PP POLARIZING PRESERVING
 PSF POUNDS PER SQUARE FOOT
 PSI POUNDS PER SQUARE INCH
 PT PRESSURE TREATED
 PWR POWER CABINET
 QTY QUANTITY
 RAD RADIUS
 RECT RECTIFIER
 REF REFERENCE
 REINF REINFORCEMENT
 REQ'D REQUIRED
 RET REMOTE ELECTRIC TILT
 RF RADIO FREQUENCY
 RMC RIGID METALLIC CONDUIT
 RRH REMOTE RADIO HEAD
 RRU REMOTE RADIO UNIT
 RWY RACEWAY
 SCH SCHEDULE
 SHT SHEET
 SIAD SMART INTEGRATED ACCESS DEVICE
 SIM SIMILAR
 SPEC SPECIFICATION
 SQ SQUARE
 SS STAINLESS STEEL
 STD STANDARD
 STL STEEL
 TEMP TEMPORARY
 THK THICKNESS
 TMA TOWER MOUNTED AMPLIFIER
 TN TOE NAIL
 TOA TOP OF ANTENNA
 TOC TOP OF CURB
 TOF TOP OF FOUNDATION
 TOP TOP OF PLATE (PARAPET)
 TOS TOP OF STEEL
 TOW TOP OF WALL
 TVSS TRANSIENT VOLTAGE SURGE SUPPRESSION
 TYP TYPICAL
 UG UNDERGROUND
 UL UNDERWRITERS LABORATORY
 UNO UNLESS NOTED OTHERWISE
 UMTS UNIVERSAL MOBILE TELECOMMUNICATIONS SYSTEM
 UPS UNINTERRUPTIBLE POWER SYSTEM (DC POWER PLANT)
 VIF VERIFIED IN FIELD
 W WIDE
 W/ WITH
 WD WOOD
 WP WEATHERPROOF
 WT WEIGHT

ABBREVIATIONS



188 INVERNESS DRIVE WEST
 SUITE 400
 ENGLEWOOD, CO 80112



BLACK & VEATCH

4600 SOUTH SYRACUSE STREET
 SUITE 800
 DENVER, COLORADO 80237

PROJECT/PHASE NO: 129551/1183

DRAWN BY: VDP

CHECKED BY: JMH

RFDS:

REV	DATE	DESCRIPTION
0	05/23/24	ISSUED FOR CONSTRUCTION



IT IS A VIOLATION OF LAW FOR ANY PERSON,
 UNLESS THEY ARE ACTING UNDER THE DIRECTION
 OF A LICENSED PROFESSIONAL ENGINEER,
 TO ALTER THIS DOCUMENT.

SCHRIEVER AIR FORCE BASE
 COLO2065
 15642 HIGHWAY 94
 COLORADO SPRINGS, CO 80930
 CELL SITE RF MODIFICATIONS

SHEET TITLE
LEGEND & ABBREVIATIONS

SHEET NUMBER
GN-1

GENERAL CONSTRUCTION NOTES

GENERAL CONSTRUCTION

- FOR THE PURPOSE OF CONSTRUCTION DRAWINGS, THE FOLLOWING DEFINITIONS SHALL APPLY:
GENERAL CONTRACTOR: OVERLAND CONTRACTING INC. (B&V)
CONTRACTOR: (CONSTRUCTION)
OWNER: AT&T
- ALL SITE WORK SHALL BE COMPLETED AS INDICATED ON THE DRAWINGS AND AT&T PROJECT SPECIFICATIONS.
- GENERAL CONTRACTOR SHALL VISIT THE SITE AND SHALL FAMILIARIZE HIMSELF WITH ALL CONDITIONS AFFECTING THE PROPOSED WORK AND SHALL MAKE NECESSARY PROVISIONS. PRIOR TO PROCEEDING WITH CONSTRUCTION, GENERAL CONTRACTOR SHALL FAMILIARIZE HIMSELF WITH ALL CONTRACT DOCUMENTS, SITE CONDITIONS, DIMENSIONS, AND CONFIRMING THAT THE WORK CAN BE ACCOMPLISHED AS SHOWN ON PLAN. ANY DISCREPANCIES SHALL BE REPORTED TO THE ENGINEER PRIOR TO THE COMMENCEMENT OF WORK.
- MATERIALS FURNISHED AND INSTALLED SHALL BE IN STRICT ACCORDANCE WITH ALL APPLICABLE CODES, REGULATIONS, AND ORDINANCES. GENERAL CONTRACTOR SHALL ISSUE ALL APPROPRIATE NOTICES AND COMPLY WITH ALL LAWS, ORDINANCES, RULES, REGULATIONS, AND LAWFUL ORDERS OF ANY PUBLIC AUTHORITY REGARDING THE PERFORMANCE OF WORK.
- ALL WORK CARRIED OUT SHALL COMPLY WITH APPLICABLE MUNICIPAL AND UTILITY COMPANY SPECIFICATIONS IN ADDITION TO LOCAL JURISDICTIONAL CODES, ORDINANCES, AND APPLICABLE REGULATIONS.
- UNLESS NOTED OTHERWISE, THE WORK SHALL INCLUDE FURNISHING MATERIALS, EQUIPMENT, APPURTENANCES, AND LABOR NECESSARY TO COMPLETE ALL INSTALLATIONS AS SHOWN ON THE DRAWINGS.
- PLANS SHALL NOT BE SCALED. THESE PLANS ARE INTENDED TO BE A DIAGRAMMATIC OUTLINE ONLY, UNLESS OTHERWISE NOTED. DIMENSIONS SHOWN ARE TO FINISH SURFACES, UNLESS OTHERWISE NOTED. SPACING BETWEEN EQUIPMENT IS THE MINIMUM REQUIRED CLEARANCE. IT IS CRITICAL TO FIELD VERIFY ALL DIMENSIONS. SHOULD THERE BE ANY QUESTIONS REGARDING THE PLAN, THE CONTRACTOR SHALL BE RESPONSIBLE FOR OBTAINING A CLARIFICATION FROM THE ENGINEER PRIOR TO PROCEEDING WITH THE WORK. DETAILS ARE INTENDED TO SHOW DESIGN INTENT. MODIFICATIONS MAY BE REQUIRED TO SUIT JOB DIMENSIONS OR CONDITIONS. SUCH MODIFICATIONS SHALL BE INCLUDED AS PART OF WORK AND APPROVED BY THE ENGINEER PRIOR TO PROCEEDING WITH WORK.
- THE CONTRACTOR SHALL INSTALL ALL EQUIPMENT AND MATERIALS IN ACCORDANCE WITH MANUFACTURER'S RECOMMENDATIONS UNLESS SPECIFICALLY STATED OTHERWISE.
- IF THE SPECIFIED EQUIPMENT CANNOT BE INSTALLED AS SHOWN ON THE PLAN, THE CONTRACTOR SHALL PROPOSE AN ALTERNATIVE INSTALLATION SPACE FOR APPROVAL BY THE ENGINEER PRIOR TO PROCEEDING.
- GENERAL CONTRACTOR SHALL BE RESPONSIBLE FOR THE SAFETY OF WORK AREA, ADJACENT AREAS, AND BUILDING OCCUPANTS THAT ARE LIKELY TO BE AFFECTED BY THE WORK UNDER THIS CONTRACT. WORK SHALL CONFORM TO ALL OSHA REQUIREMENTS AND THE LOCAL JURISDICTION.
- GENERAL CONTRACTOR SHALL COORDINATE AND SCHEDULE WORK ACTIVITIES WITH OTHER DISCIPLINES.
- ERECTION SHALL BE DONE IN A WORKMANLIKE MANNER BY COMPETENT, EXPERIENCED WORKMEN IN ACCORDANCE WITH APPLICABLE CODES AND THE BEST ACCEPTED PRACTICE. ALL MEMBERS SHALL BE LAID PLUMB AND TRUE AS INDICATED ON THE DRAWINGS.
- SEAL PENETRATIONS THROUGH FIRE RATED AREAS, SHALL BE MADE WITH UL LISTED MATERIALS, APPROVED BY THE LOCAL JURISDICTION. CONTRACTOR SHALL KEEP AREA CLEAN AND HAZARD FREE, AND DISPOSE OF ALL DEBRIS DAILY.
- AS-BUILT CONDITIONS ARE REPRESENTED BY LIGHT SHADED LINES AND NOTES. THE SCOPE OF WORK FOR THIS PROJECT IS REPRESENTED BY DARK SHADED LINES AND NOTES. CONTRACTOR SHALL NOTIFY THE GENERAL CONTRACTOR OF ANY EXISTING CONDITIONS THAT DEVIATE FROM THE DRAWINGS PRIOR TO THE COMMENCEMENT OF CONSTRUCTION.
- CONTRACTOR SHALL PROVIDE WRITTEN NOTICE TO THE CONSTRUCTION MANAGER, 48 HOURS PRIOR TO COMMENCEMENT OF WORK.
- THE CONTRACTOR SHALL PROTECT EXISTING IMPROVEMENTS, PAVEMENTS, CURBS, LANDSCAPING, AND STRUCTURES DURING CONSTRUCTION OPERATIONS. ANY DAMAGED AREAS/ SITE ELEMENTS SHALL BE REPAIRED AT CONTRACTOR'S EXPENSE TO THE SATISFACTION OF THE OWNER.
- THE CONTRACTOR SHALL CONTACT UTILITY LOCATING SERVICES PRIOR TO THE START OF CONSTRUCTION. CONTRACTOR IS ALSO RESPONSIBLE FOR THE NOTIFICATION OF TIER-TWO FACILITY/UTILITY OWNERS.
- GENERAL CONTRACTOR SHALL COORDINATE AND MAINTAIN ACCESS FOR ALL TRADES AND CONTRACTORS TO THE SITE AND/OR BUILDING.
- THE GENERAL CONTRACTOR SHALL BE RESPONSIBLE FOR SECURITY OF THE SITE FOR THE DURATION OF CONSTRUCTION UNTIL JOB COMPLETION.
- THE GENERAL CONTRACTOR SHALL MAINTAIN IN GOOD CONDITION ONE COMPLETE SET OF PLANS WITH ALL REVISIONS, ADDENDA, AND CHANGE ORDERS, ON THE PREMISES, AT ALL TIMES.
- THE CONTRACTOR SHALL PROVIDE PORTABLE FIRE EXTINGUISHERS WITH A RATING OF NOT LESS THAN 2-A OT 2-A:10-B:C LOCATED WITHIN 25 FEET OF TRAVEL DISTANCE TO WORK ALL AREAS OR WHERE WORK IS BEING PERFORMED DURING CONSTRUCTION.
- ALL EXISTING ACTIVE SEWER, WATER, GAS, ELECTRIC, AND OTHER UTILITIES SHALL BE PROTECTED AT ALL TIMES, AND WHERE REQUIRED FOR THE PROPER EXECUTION OF THE WORK, SHALL BE RELOCATED AS DIRECTED BY THE ENGINEER. EXTREME CAUTION SHOULD BE USED BY THE CONTRACTOR WHEN EXCAVATING OR DRILLING PIERS AROUND OR NEAR UTILITIES. CONTRACTOR SHALL PROVIDE SAFETY TRAINING FOR THE WORKING CREW. TRAINING SHALL INCLUDE BUT NOT BE LIMITED TO A) FALL PROTECTION, B) CONFINED SPACE, C) ELECTRICAL SAFETY, AND D) TRENCHING & EXCAVATION.
- ALL EXISTING INACTIVE SEWER, WATER, GAS, ELECTRIC, AND OTHER UTILITIES, WHICH INTERFERE WITH THE EXECUTION OF THE WORK, SHALL BE REMOVED, CAPPED, PLUGGED, OR OTHERWISE DISCONNECTED AT POINTS WHICH WILL NOT INTERFERE WITH THE EXECUTION OF THE WORK, AS DIRECTED BY THE RESPONSIBLE ENGINEER, AND SUBJECT TO THE APPROVAL OF THE OWNER AND/OR LOCAL UTILITIES.
- THE AREAS OF THE OWNER'S PROPERTY DISTURBED BY THE WORK AND NOT COVERED BY THE TOWER, EQUIPMENT, OR DRIVEWAY, SHALL BE GRADED TO A UNIFORM SLOPE AND PROPERLY STABILIZED TO PREVENT EROSION.
- CONTRACTOR SHALL MINIMIZE DISTURBANCE TO THE SITE DURING CONSTRUCTION. EROSION CONTROL AND SEDIMENT CONTROL MEASURES, IF REQUIRED DURING CONSTRUCTION, SHALL BE IN CONFORMANCE WITH FEDERAL AND/OR LOCAL JURISDICTIONS.
- FILL OR EMBANKMENT MATERIAL SHALL NOT BE PLACED ON FROZEN GROUND. FROZEN MATERIALS, SNOW, OR ICE SHALL NOT BE PLACED IN ANY FILL OR EMBANKMENT.
- THE SUBGRADE SHALL BE BROUGHT TO A SMOOTH UNIFORM GRADE AND COMPACTED TO 95 PERCENT STANDARD PROCTOR UNDER PAVEMENT AND STRUCTURES AND 80 PERCENT STANDARD PROCTOR IN OPEN SPACE. ALL TRENCHES IN THE PUBLIC RIGHT-OF-WAY SHALL BE BACKFILLED WITH FLOWABLE FILL OR OTHER MATERIAL, PRE-APPROVED BY THE LOCAL JURISDICTION.
- ALL NECESSARY RUBBISH, STUMPS, DEBRIS, STICKS, STONES, AND OTHER REFUSE SHALL BE REMOVED FROM THE SITE AND DISPOSED OF IN A LAWFUL MANNER.
- ALL BROCHURES, OPERATION MANUALS, MAINTENANCE MANUALS, CATALOGS, SHOP DRAWINGS, AND OTHER DOCUMENTS SHALL BE TURNED OVER TO THE GENERAL CONTRACTOR AT COMPLETION OF CONSTRUCTION AND PRIOR TO PAYMENT.

- CONTRACTOR SHALL SUBMIT A COMPLETE SET OF AS-BUILT REDLINES TO THE GENERAL CONTRACTOR UPON COMPLETION OF PROJECT AND PRIOR TO FINAL PAYMENT.
- THE PROPOSED FACILITY WILL BE UNMANNED, DOES NOT REQUIRE POTABLE WATER OR SEWER SERVICE, AND IS NOT FOR HUMAN HABITAT (NO HANDICAP ACCESS REQUIRED).
- OCCUPANCY IS LIMITED TO PERIODIC MAINTENANCE AND INSPECTION OF APPROXIMATELY TWO TIMES PER MONTH BY AT&T TECHNICIANS.
- NO OUTDOOR STORAGE OR SOLID WASTE CONTAINERS ARE PROPOSED.
- ALL MATERIAL SHALL BE FURNISHED AND WORK SHALL BE PERFORMED IN ACCORDANCE WITH THE LATEST REVISION AT&T MOBILITY GROUNDING STANDARD "TECHNICAL SPECIFICATION FOR CONSTRUCTION OF GSM WIRELESS SITES" AND "TECHNICAL SPECIFICATION FOR FACILITY GROUNDING". IN CASE OF A CONFLICT BETWEEN THE CONSTRUCTION SPECIFICATIONS AND THE DRAWINGS, THE DRAWINGS SHALL GOVERN.
- CONTRACTORS SHALL BE RESPONSIBLE FOR OBTAINING ALL PERMITS AND INSPECTIONS REQUIRED FOR CONSTRUCTION. IF CONTRACTOR CANNOT OBTAIN A PERMIT, THEY MUST NOTIFY THE GENERAL CONTRACTOR IMMEDIATELY.
- CONTRACTOR SHALL REMOVE ALL TRASH AND DEBRIS FROM THE SITE ON A DAILY BASIS.
- CONTRACTOR SHALL LEAVE PREMISES IN A CLEAN CONDITION.
- INFORMATION SHOWN ON THESE DRAWINGS WAS OBTAINED FROM SITE OBSERVATIONS AND/OR DRAWINGS PROVIDED BY THE SITE OWNER. CONTRACTORS SHALL NOTIFY THE ENGINEER OF ANY DISCREPANCIES PRIOR TO ORDERING MATERIAL OR PROCEEDING WITH CONSTRUCTION.
- WHITE STROBE LIGHTS ARE NOT PERMITTED. IF LIGHTING IS REQUIRED, IT SHALL MEET FAA STANDARDS AND REQUIREMENTS.
- ALL COAXIAL CABLE CONTRACTOR SHALL INSTALL PER MANUFACTURER'S INSTRUCTIONS AND RECOMMENDATIONS.

ANTENNA MOUNTING

- DESIGN AND CONSTRUCTION OF ANTENNA SUPPORTS SHALL CONFORM TO CURRENT ANSI/TIA-222 OR APPLICABLE LOCAL CODES.
- ALL STEEL MATERIALS SHALL BE GALVANIZED AFTER FABRICATION IN ACCORDANCE WITH ASTM A123 "ZINC (HOT-DIP GALVANIZED) COATINGS ON IRON AND STEEL PRODUCTS", UNLESS NOTED OTHERWISE.
- ALL BOLTS, ANCHORS AND MISCELLANEOUS HARDWARE SHALL BE GALVANIZED IN ACCORDANCE WITH ASTM A153 "ZINC-COATING (HOT-DIP) ON IRON AND STEEL HARDWARE", UNLESS NOTED OTHERWISE.
- DAMAGED GALVANIZED SURFACES SHALL BE REPAIRED BY COLD GALVANIZING IN ACCORDANCE WITH ASTM A780.
- ALL ANTENNA MOUNTS SHALL BE INSTALLED WITH LOCK WASHERS AND/OR DOUBLE NUTS, AND SHALL BE TORQUED TO MANUFACTURER'S RECOMMENDATIONS.
- CONTRACTOR SHALL INSTALL ANTENNA AND ASSOCIATED GROUNDING PER MANUFACTURER'S RECOMMENDATIONS.
- ALL UNUSED PORTS ON ANY ANTENNA OR TMA, SHALL BE COVERED BY CONCEALOR CAP WITH PROPER WEATHER PROOFING OR BE TERMINATED WITH A 50 Ω LOAD.
- PRIOR TO SETTING ANTENNA AZIMUTHS AND DOWNTILTS, ANTENNA CONTRACTOR SHALL CHECK THE ANTENNA MOUNT FOR TIGHTNESS AND ENSURE THAT THEY ARE PLUMB. ANTENNA AZIMUTHS SHALL BE SET FROM TRUE NORTH AND BE ORIENTED WITHIN +/- 3 DEGREES AS DEFINED BY THE RFDS. ANTENNA DOWNTILTS SHALL BE WITHIN +/- 0.5 DEGREES AS DEFINED BY THE RFDS. REFER TO ATT-002-290-210.
- JUMPERS FROM THE TOWER MOUNTED AMPLIFIERS MUST TERMINATE TO OPPOSITE POLARIZATIONS IN EACH SECTOR.
- CONTRACTOR SHALL RECORD THE SERIAL NUMBER, SECTOR, AND POSITION OF EACH ACTUATOR INSTALLED AT THE ANTENNAS AND PROVIDE THE INFORMATION TO AT&T.
- TOWER MOUNTED AMPLIFIERS SHALL BE MOUNTED ON PIPE DIRECTLY BEHIND ANTENNAS AS CLOSE TO ANTENNA AS FEASIBLE IN A VERTICAL POSITION.
- ANTENNAS SHALL HAVE A 4'-0" MINIMUM CENTER-TO-CENTER HORIZONTAL SEPARATION.

TORQUE REQUIREMENTS

- ALL RF CONNECTIONS SHALL BE TIGHTENED BY A TORQUE WRENCH.
- A TORQUE MARK FORMING A CONTINUOUS STRAIGHT LINE IS TO BE MADE IN THE FOLLOWING APPLICATIONS:
 - RF CONNECTIONS - MARK BOTH SIDES OF THE CONNECTOR
 - GROUNDING AND ANTENNA HARDWARE - MARK ON THE NUT SIDE OF THE BOLT, STARTING FROM THE THREADS TO THE SOLID SURFACE. SOLID SURFACE EXAMPLES INCLUDE A GROUND BAR OR ANTENNA BRACKET METAL.
- ALL 8M ANTENNA HARDWARE SHALL BE TIGHTENED TO 9 LB-FT (12 NM).
- ALL 12M ANTENNA HARDWARE SHALL BE TIGHTENED TO 43 LB-FT (58 NM).
- ALL GROUNDING HARDWARE SHALL BE TIGHTENED UNTIL THE LOCK WASHER COLLAPSES AND THE GROUNDING HARDWARE IS NO LONGER LOOSE.
- ALL DIN TYPE CONNECTIONS SHALL BE TIGHTENED TO 18-22 LB-FT (24.4 - 29.8 NM).
- ALL N TYPE CONNECTIONS SHALL BE TIGHTENED TO 15-20 LB-IN (1.7 - 2.3 NM).

FIBER & POWER CABLE MOUNTING

- THE FIBER OPTIC TRUNK CABLES SHALL BE INSTALLED IN CONDUITS OR INNERDUCT. WHEN UTILIZING A CABLE TRAY SYSTEM, PLACE FIBER OPTIC TRUNK CABLE INTO AN INTER-DUCT. A PARTITION BARRIER SHALL BE INSTALLED BETWEEN THE 600 VOLT CABLES AND THE INTER-DUCT IN ORDER TO SEGREGATE CABLE TYPES. OPTIC FIBER TRUNK CABLES SHALL HAVE APPROVED CABLE RESTRAINTS EVERY (6) SIX FEET AND SHALL BE SECURELY FASTENED TO THE CABLE TRAY SYSTEM. NFPA 70 (NEC) ARTICLE 770 RULES SHALL APPLY.
- TYPE TC-ER CABLES SHALL BE INSTALLED INTO CONDUITS OR CABLE TRAYS, AND SHALL BE SECURED AT INTERVALS NOT EXCEEDING (6) FEET. WHERE TYPE TC-ER CABLES ARE NOT SUBJECT TO PHYSICAL DAMAGE, CABLES SHALL BE PERMITTED TO MAKE A TRANSITION BETWEEN CONDUITS OR CABLE TRAYS THAT ARE SERVICING UTILIZATION EQUIPMENT OR DEVICES. A TRANSITION DISTANCE EXCEEDING (6) FEET REQUIRES CONTINUOUS SUPPORTING. NFPA 70 (NEC) ARTICLES 336 AND 392 RULES SHALL APPLY.
- WHEN INSTALLING OPTIC FIBER TRUNK CABLES OR TYPE TC-ER CABLES INTO CONDUITS, NFPA 70 (NEC) ARTICLE 300 RULES SHALL APPLY.

COAXIAL CABLE NOTES

- TYPES AND SIZES OF THE ANTENNA CABLES ARE BASED ON ESTIMATED LENGTHS. PRIOR TO ORDERING CABLE, CONTRACTOR SHALL VERIFY ACTUAL LENGTH BASED ON CONSTRUCTION LAYOUT AND NOTIFY THE PROJECT MANAGER IF ACTUAL LENGTHS EXCEED ESTIMATED LENGTHS.
- CONTRACTOR SHALL VERIFY THAT THE DOWNTILT OF EACH ANTENNA IS WITHIN +/- 0.5 DEGREES OF SPECIFICATION WITH AN OCI APPROVED DIGITAL LEVEL.
- CONTRACTOR SHALL CONFIRM COAX COLOR CODING PRIOR TO CONSTRUCTION. REFER TO LATEST REVISION OF THE "ANTENNA SYSTEM LABELING STANDARD."
- ALL COAXIAL CABLE SHALL BE SECURED TO THE DESIGNED SUPPORT STRUCTURE IN AN APPROVED MANNER, NOT TO EXCEED MANUFACTURER'S RECOMMENDATIONS.
- COAXIAL CABLE SHALL BE SECURED TO THE DESIGNATED SUPPORT STRUCTURE(S) PER MANUFACTURER'S SPECIFICATIONS.
- CONTRACTOR SHALL BE RESPONSIBLE TO VERIFY ANTENNA, TMA, DIPLEXERS, COAX CONFIGURATION, MAKES, AND MODELS PRIOR TO INSTALLATION.
- ALL CONNECTIONS FOR HANGERS, SUPPORTS, BRACING, ETC. SHALL BE INSTALLED PER TOWER MANUFACTURER'S RECOMMENDATIONS.
- CONTRACTOR SHALL REFERENCE THE TOWER STRUCTURAL ANALYSIS/DESIGN DRAWINGS FOR DIRECTIONS ON CABLE DISTRIBUTION/ROUTING.
- AFTER INSTALLATION AND FINAL CONNECTIONS ARE MADE, ALL OUTDOOR RF CONNECTORS/CONNECTIONS SHALL BE WEATHERPROOFED, EXCEPT THE RET CONNECTORS, USING BUTYL TAPE. BUTYL TAPE SHALL HAVE A MINIMUM OF ONE-HALF TAPE WIDTH OVERLAP ON EACH TURN AND EACH LAYER SHALL BE WRAPPED THREE TIMES. WEATHERPROOFING SHALL BE SMOOTH WITHOUT BUCKLING. BUTYL BLEEDING IS NOT ALLOWED. SELF BONDING TAPE AND PLASTIC ENCLOSURES ARE PERMITTED PER ATT-002-290-041, SECTION 7.
- IF REQUIRED TO PAINT ANTENNAS AND/OR COAX:
 - TEMPERATURE SHALL BE ABOVE 50 DEGREES FAHRENHEIT.
 - PAINT COLOR MUST BE APPROVED BY BUILDING OWNER/LANDLORD.
 - FOR REGULATED TOWERS, FAA/FCC APPROVED PAINT IS REQUIRED.
 - DO NOT PAINT OVER COLOR CODING OR ON EQUIPMENT MODEL NUMBERS.
- ALL CABLES SHALL BE GROUNDED WITH COAXIAL CABLE GROUND KITS. AT THE FOLLOWING LOCATIONS PER MANUFACTURER'S RECOMMENDATIONS:
 - THE ANTENNA LEVEL.
 - THE MID LEVEL, TOWERS WHICH ARE OVER 200'-0", ADDITIONAL CABLE GROUNDING REQUIRED.
 - BASE OF TOWER PRIOR TO TURNING HORIZONTAL.
 - OUTSIDE THE EQUIPMENT SHELTER AT ENTRY PORT.
- ANTENNA CONTRACTOR SHALL FURNISH AND INSTALL A 12'-0" T-BOOM SECTOR ANTENNA MOUNT INCLUDING ALL HARDWARE, IF APPLICABLE.



188 INVERNESS DRIVE WEST
SUITE 400
ENGLEWOOD, CO 80112



BLACK & VEATCH

4600 SOUTH SYRACUSE STREET
SUITE 800
DENVER, COLORADO 80237

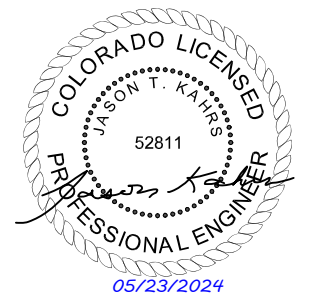
PROJECT/PHASE NO: 129551/1183

DRAWN BY: VDP

CHECKED BY: JMH

RFDS:

REV	DATE	DESCRIPTION
0	05/23/24	ISSUED FOR CONSTRUCTION



IT IS A VIOLATION OF LAW FOR ANY PERSON, UNLESS THEY ARE ACTING UNDER THE DIRECTION OF A LICENSED PROFESSIONAL ENGINEER, TO ALTER THIS DOCUMENT.

SCHRIEVER AIR FORCE BASE
COL02065
15642 HIGHWAY 94
COLORADO SPRINGS, CO 80930
CELL SITE RF MODIFICATIONS

SHEET TITLE
GENERAL CONSTRUCTION
NOTES

SHEET NUMBER
GN-2

GENERAL SITE WORK AND DRAINAGE NOTES

PART 1 – GENERAL

CONTRACTOR SHALL PROVIDE CLEARING, GRUBBING, STRIPPING, EROSION CONTROL, SURVEY, LAYOUT, SUBGRADE PREPARATION, AND FINISH GRADING AS REQUIRED TO COMPLETE THE PROPOSED WORK SHOWN IN THESE PLANS.

1.1 REFERENCES:

- A. DOT (STATE DEPARTMENT OF TRANSPORTATION STANDARD SPECIFICATIONS FOR HIGHWAY CONSTRUCTION, CURRENT EDITION)
- B. ASTM (AMERICAN SOCIETY FOR TESTING AND MATERIALS)
- C. OSHA (OCCUPATION SAFETY AND HEALTH ADMINISTRATION)

1.2 INSPECTION AND TESTING:

- A. FIELD TESTING OF EARTHWORK COMPACTION AND CONCRETE CYLINDERS SHALL BE PERFORMED BY AN INDEPENDENT TESTING LAB. THIS WORK SHALL BE COORDINATED BY THE SUBCONTRACTOR.
- B. ALL WORK SHALL BE INSPECTED AND RELEASED BY THE GENERAL CONTRACTOR. THE INSPECTIONS SHALL BE CARRIED OUT WITH SPECIFIC CONCERN FOR PROPER PERFORMANCE OF THE WORK AS SPECIFIED AND/OR CALLED FOR ON THE PLAN. IT IS THE SUBCONTRACTOR'S RESPONSIBILITY TO REQUEST THE REQUIRED INSPECTIONS PRIOR TO PROCEEDING WITH FURTHER WORK THAT WOULD MAKE PARTS OF WORK INACCESSIBLE OR DIFFICULT TO INSPECT.

1.3 SITE MAINTENANCE AND PROTECTION:

- A. PROVIDE ALL NECESSARY JOB SITE MAINTENANCE FROM COMMENCEMENT OF WORK UNTIL COMPLETION OF THE SUBCONTRACT.
- B. AVOID DAMAGE TO THE SITE AND TO EXISTING FACILITIES, STRUCTURES, TREES, AND SHRUBS DESIGNATED TO REMAIN. TAKE PROTECTIVE MEASURES TO PREVENT DAMAGED TO EXISTING FACILITIES THAT ARE NOT DESIGNATED FOR MODIFICATION OR REMOVAL.
- C. KEEP SITE FREE OF PONDING WATER.
- D. PROVIDE EROSION CONTROL MEASURES IN ACCORDANCE WITH STATE DOT AND EPA REQUIREMENTS.
- E. PROVIDE AND MAINTAIN ALL TEMPORARY FENCING, BARRICADES, WARNING SIGNS, AND SIMILAR DEVICES NECESSARY TO PROTECT AGAINST THEFT FROM PROPERTY DURING THE ENTIRE DURATION OF CONSTRUCTION. REMOVE ALL SUCH DEVICES UPON COMPLETION OF THE WORK.
- F. DO NOT INTERRUPT EXISTING UTILITIES SERVING FACILITIES OCCUPIED BY THE OWNER OR OTHERS, EXCEPT WHEN PERMITTED IN WRITING BY THE ENGINEER AND THEN ONLY AFTER ACCEPTABLE TEMPORARY UTILITY SERVICES HAVE BEEN PROVIDED.
 - 1. NOTICE TO ENGINEER SHALL BE PROVIDED A MINIMUM OF 48 HOURS PRIOR TO OUTAGE.

PART 2 – PRODUCTS

- 2.1 SUITABLE BACKFILL: ASTM D2321 (CLASS I, II, III OR IVA) FREE FROM FROZEN LUMPS, REFUSE, STONES OR ROCKS LARGER THAN THREE (3) INCHES IN ANY DIMENSION.
- 2.2 NON-POROUS GRANULAR EMBANKMENT AND BACKFILL: ASTM D2321 (CLASS III, IVA OR IVB) COARSE AGGREGATE. FREE FROM FROZEN LUMPS, REFUSE, STONES OR ROCKS LARGER THAN THREE (3) INCHES IN ANY DIMENSION.
- 2.3 POROUS GRANULAR EMBANKMENT AND BACKFILL: ASTM D2321 (CLASS IA, IB OR II) COARSE AGGREGATE FREE FROM FROZEN LUMPS, REFUSE, STONES, OR ROCKS LARGER THAN THREE (3) INCHES IN DIAMETER, OR OTHER MATERIAL THAT MAY MAKE THE INORGANIC MATERIAL UNSUITABLE FOR BACKFILL.
- 2.4 SELECT STRUCTURAL FILL: GRANULAR FILL MATERIAL MEETING THE REQUIREMENTS OF ASTM E850-95. FOR USE AROUND AND UNDER STRUCTURES WHERE STRUCTURAL FILL MATERIAL IS REQUIRED.
- 2.5 GRANULAR BEDDING AND TRENCH BACKFILL: WELL-GRADED SAND MEETING THE GRADATION REQUIREMENTS OF ASTM D2487 (CLASSIFIED AS SE OR SW-SM SOILS).
- 2.6 COARSE AGGREGATE FOR ACCESS ROAD SUBBASE COURSE SHALL CONFORM TO ASTM D2940.
- 2.7 UNSUITABLE MATERIAL: HIGH AND MODERATELY PLASTIC SILTS AND CLAYS (LL>45), MATERIAL CONTAINING REFUSE, FROZEN LUMPS, DEMOLISHED BITUMINOUS MATERIAL, VEGETATIVE MATTER, WOOD, STONES IN EXCESS OF 3 INCHES IN DIAMETER, AND DEBRIS. THESE WILL BE SOILS CLASSIFIED BY ASTM AS PT, MH, CH, OH, ML, AND OL.
- 2.8 GEOTEXTILE FABRIC: MIRAFI 500X OR APPROVED EQUIVALENT.
- 2.9 PLASTIC MARKING TAPE SHALL BE ACID AND ALKALI RESISTANT POLYETHYLENE FILM SPECIFICALLY MANUFACTURED FOR MARKING AND LOCATING UNDERGROUND UTILITIES, SIX (6) INCHES WIDE WITH A MINIMUM THICKNESS OF 0.004" TAPE SHALL HAVE MINIMUM STRENGTH OF 1,500 PSI IN BOTH DIRECTIONS AND MANUFACTURED WITH INTEGRAL CONDUCTORS, FOIL BACKING OR OTHER MEANS TO ENABLE DETECTION BY A METAL DETECTOR WHEN BURIED UP TO 3 FEET DEEP. THE METALLIC CORE OF THE TAPE SHALL BE ENCASED IN A PROTECTIVE JACKET OR PROVIDED WITH OTHER MEANS TO PROTECT IT FROM CORROSION. TAPE COLOR SHALL BE RED FOR ELECTRIC UTILITIES AND ORANGE FOR TELECOMMUNICATION UTILITIES.

PART 3 – EXECUTION

3.1 GENERAL:

- A. BEFORE STARTING GENERAL SITE PREPARATION ACTIVITIES, INSTALL EROSION AND SEDIMENT CONTROL MEASURES. THE WORK AREA SHALL BE CONSTRUCTED AND MAINTAINED IN SUCH CONDITION THAT IN THE EVENT OF A RAIN EVENT, THE SITE CAN PROPERLY DRAIN AT ANY TIME.
- B. PRIOR TO SURVEY, LAYOUT, STAKING, AND MARKING, ESTABLISH AND MAINTAIN ALL LINES, GRADES, ELEVATIONS, AND BENCHMARKS NEEDED FOR EXECUTION OF THE WORK.
- C. CLEAR AND GRUB THE AREA WITHIN THE LIMITS OF THE SITE. REMOVE TREES, BRUSH, STUMPS, RUBBISH, OTHER DEBRIS, AND VEGETATION RESTING ON OR PROTRUDING THROUGH THE GROUND SURFACE.
 - 1. REMOVE THE FOLLOWING MATERIALS TO A DEPTH OF NO LESS THAN 12 INCHES BELOW THE ORIGINAL GROUND SURFACE: ROOTS, STUMPS, BRUSH, REFUSE, AND OTHER DEBRIS EMBEDDED IN OR PROTRUDING THROUGH THE GROUND SURFACE. RAKE, DISK, OR PLOW THE AREA TO A DEPTH OF NO LESS THAN 6 INCHES, AND REMOVE MATERIAL TO A DEPTH OF 12 INCHES BELOW THE BOTTOM DEPTH OF ROOTS AND OTHER DEBRIS.
 - 2. REMOVE TOPSOIL MATERIAL COMPLETELY FROM THE SURFACE UNTIL THE SOIL NO LONGER MEETS THE DEFINITION OF TOPSOIL. AVOID MIXING TOPSOIL WITH SUBSOIL OR OTHER UNDESIRABLE MATERIALS.
 - 3. EXCEPT WHERE EXCAVATION TO GREATER DEPTH IS INDICATED, FILL DEPRESSIONS RESULTING FROM CLEARING, GRUBBING, AND DEMOLITION WORK COMPLETELY WITH SUITABLE FILL.
- D. ALL DEBRIS RESULTING FROM CLEARING AND GRUBBING OPERATIONS SHALL BE REMOVED FROM THE SITE AND DISPOSED OF IN AN AUTHORIZED LANDFILL. BURNING OF DEBRIS WILL NOT BE PERMITTED.
- E. PRIOR TO EXCAVATING, THOROUGHLY EXAMINE THE AREA TO BE EXCAVATED AND/OR TRENCHED TO VERIFY THE LOCATIONS OF FEATURES INDICATED ON THE DRAWINGS AND TO ASCERTAIN THE EXISTENCE AND LOCATION OF ANY STRUCTURE, UNDERGROUND STRUCTURE, OR OTHER ITEM NOT SHOWN THAT MIGHT INTERFERE WITH THE PROPOSED CONSTRUCTION. NOTIFY THE CONSTRUCTION MANAGER OF ANY OBSTRUCTIONS THAT WILL PREVENT ACCOMPLISHMENT OF THE WORK AS INDICATED ON THE PLANS.
- F. SEPARATE AND STOCKPILE ALL EXCAVATED MATERIALS SUITABLE FOR BACKFILL. ALL EXCESS EXCAVATED AND UNSUITABLE MATERIALS SHALL BE DISPOSED OF OFF-SITE IN A LEGAL MANNER.

3.2 BACKFILL:

- A. AFTER COMPLETING CONSTRUCTION OF A STRUCTURE, INCLUDING EXPIRATION OF THE SPECIFIED MINIMUM CURING PERIOD FOR CAST-IN-PLACE CONCRETE, BACKFILL THE EXCAVATION WITH APPROVED MATERIAL TO RESTORE THE REQUIRED FINISHED GRADE.
 - 1. PRIOR TO PLACING BACKFILL AROUND STRUCTURES, ALL FORMS SHALL BE REMOVED AND THE EXCAVATION CLEANED OF ALL TRASH, DEBRIS, AND UNSUITABLE MATERIALS.
 - 2. BACKFILL BY PLACING AND COMPACTING SUITABLE BACKFILL MATERIAL IN UNIFORM HORIZONTAL LAYERS OF NO GREATER THAN 8-INCHES LOOSE THICKNESS. WHERE HAND OPERATED COMPACTORS ARE USED, THE FILL MATERIAL SHALL BE PLACED IN LIFTS NOT TO EXCEED 4 INCHES IN LOOSE DEPTH.
 - 3. IF THE DENSITY TESTING INDICATES THAT THE CONTRACTOR HAS NOT OBTAINED THE SPECIFIED DENSITY, THE SUCCEEDING LAYER SHALL NOT BE PLACED UNTIL THE SPECIFICATION REQUIREMENTS ARE MET UNLESS OTHERWISE AUTHORIZED BY THE GEOTECHNICAL ENGINEER. THE CONTRACTOR SHALL TAKE WHATEVER APPROPRIATE ACTION IS NECESSARY, SUCH AS DISKING AND DRYING, ADDING WATER, OR INCREASING THE COMPACTIVE EFFORT TO MEET THE MINIMUM COMPACTION REQUIREMENTS.
- B. THOROUGHLY COMPACT EACH LAYER OF BACKFILL TO A MINIMUM OF 95 PERCENT OF THE MAXIMUM DRY DENSITY AS PROVIDED BY THE STANDARD PROCTOR TEST, ASTM D698.

3.3 TRENCH EXCAVATION:

- A. UTILITY TRENCHES SHALL BE EXCAVATED AT LOCATIONS, DEPTHS, AND WIDTHS SHOWN ON PLAN, OR AS DIRECTED BY THE GENERAL CONTRACTOR. EXCAVATION CONTRACTOR SHALL PROVIDE SHORING, SHEETING, AND BRACING AS REQUIRED TO PREVENT CAVING OR SLOUGHING OF THE TRENCH WALLS.
- B. THE TRENCH WIDTH SHALL EXTEND A MINIMUM OF 6 INCHES BEYOND THE OUTSIDE EDGE OF THE OUTERMOST CONDUIT.

3.4 TRENCH BACKFILL:

- A. NOTIFY THE GENERAL CONTRACTOR 24 HOURS IN ADVANCE OF BACKFILLING.
- B. PROVIDE GRANULAR BEDDING MATERIAL IN ACCORDANCE WITH THE PLAN AND THE UTILITY REQUIREMENTS.
- C. CONDUCT UTILITY CHECK TESTS BEFORE BACKFILLING. BACKFILL AND COMPACT TRENCH BEFORE ACCEPTANCE TESTING.
- D. PLACE GRANULAR TRENCH BACKFILL UNIFORMLY ON BOTH SIDES OF THE CONDUITS IN 6-INCH UNCOMPACTED LIFTS AND TO 12 INCHES OVER THE CONDUITS. SOLIDLY RAM AND TAMP BACKFILL INTO SPACE AROUND CONDUITS.
- E. PROTECT CONDUIT FROM LATERAL MOVEMENT, IMPACT DAMAGE, OR UNBALANCED LOADING.
- F. ABOVE THE CONDUIT EMBEDMENT ZONE, PLACE AND COMPACT THE BACKFILL MATERIAL IN MAXIMUM 8-INCH THICK LOOSE LIFTS TO RESTORE THE REQUIRED FINISHED SURFACE GRADE.
- G. COMPACT THE TRENCH BACKFILL A MINIMUM OF 95 PERCENT OF THE MAXIMUM DRY DENSITY AS PROVIDED BY THE STANDARD PROCTOR TEST, ASTM D698.


3.5 AGGREGATE ACCESS ROAD:

- A. CLEAR, GRUB, STRIP, AND EXCAVATE FOR THE ACCESS ROAD AS SHOWN ON PLAN. SCARIFY TO A DEPTH OF 6 INCHES AND PROOF-ROLL. ALL HOLES, RUTS, SOFT PLACES, AND OTHER DEFECTS SHALL BE CORRECTED.
- B. THE SUBGRADE OF THE DISTURBED AREA SHALL BE COMPACTED TO NOT LESS THAN 95 PERCENT OF THE MAXIMUM DRY DENSITY AS PROVIDED BY THE MODIFIED PROCTOR TEST, ASTM D1557.
- C. AFTER PREPARATION OF THE ROAD SUBGRADE IS COMPLETE, INSTALL THE GEOTEXTILE FABRIC (MIRAFI 500X) AT LOCATIONS INDICATED ON THE PLAN BY ROLLING THE FABRIC OUT LONGITUDINALLY ALONG THE ROADWAY. THE FABRIC SHALL NOT BE DRAGGED ACROSS THE SUBGRADE. PLACE THE ENTIRE ROLL IN A SINGLE OPERATION AND ROLL IT OUT AS SMOOTHLY AS POSSIBLE.
 - 1. GEOTEXTILE FABRIC OVERLAPS THAT ARE PARALLEL TO THE ROADWAY WILL BE PERMITTED ALONG THE CENTERLINE OF THE ROAD AND AT LOCATIONS BEYOND THE ROADWAY SURFACE WIDTH (I.E. WITHIN THE SHOULDER WIDTH) ONLY. NO LONGITUDINAL OVERLAPS SHALL BE LOCATED BETWEEN THE CENTERLINE AND THE SHOULDER. PARALLEL OVERLAPS SHALL BE A MINIMUM OF 3 FEET WIDE.
 - 2. TRANSVERSE (PERPENDICULAR TO THE ROADWAY) GEOTEXTILE FABRIC OVERLAPS AT THE END OF A ROLL SHALL OVERLAP IN THE DIRECTION OF THE AGGREGATE PLACEMENT WITH THE PREVIOUS ROLL ON TOP OF THE NEW ROLL, AND SHALL HAVE A MINIMUM LENGTH OF 3 FEET.
 - 3. ALL GEOTEXTILE FABRIC OVERLAPS SHALL BE PINNED WITH STAPLES OR NAILS A MINIMUM OF 10 INCHES LONG TO INSURE PROPER POSITIONING DURING PLACEMENT OF AGGREGATE. PIN LONGITUDINAL SEAMS AT A MINIMUM OF 25-FOOT INTERVALS AND TRANSVERSE SEAMS AT A MINIMUM OF 5-FOOT INTERVALS.
- D. THE AGGREGATE BASE AND SURFACE AGGREGATE SHALL BE CONSTRUCTED IN LAYERS NOT MORE THAN 4 INCHES (COMPACTED) IN THICKNESS. AGGREGATE TO BE PLACED ON GEOTEXTILE FABRIC SHALL BE END-DUMPED ON THE FABRIC FROM THE FREE END OF THE FABRIC OR OVER PREVIOUSLY PLACED AGGREGATE. THE FIRST LIFT SHALL BE BLADED DOWN TO A THICKNESS OF 8 INCHES PRIOR TO COMPACTION. AT NO TIME SHALL EQUIPMENT, EITHER TRANSPORTING THE AGGREGATE OR GRADING THE AGGREGATE, BE PERMITTED ON THE ROADWAY WITH LESS THAN 4 INCHES OF MATERIAL COVERING THE GEOTEXTILE FABRIC.
- E. THE AGGREGATE SHALL BE IMMEDIATELY COMPACTED TO NOT LESS THAN 95 PERCENT OF THE MAXIMUM DRY DENSITY AS DETERMINED BY THE MODIFIED PROCTOR TEST, ASTM D1557. A TAMPING ROLLER, PNEUMATIC-TIRED ROLLER, OR VIBRATORY MACHINE, OR ANY COMBINATION THEREOF MAY BE USED FOR COMPACTION PROCEDURES. THE TOP LAYER SHALL BE GIVEN A FINAL ROLLING WITH A THREE-WHEEL OR TANDEM ROLLER.

3.6 FINISH GRADING:

- A. PERFORM ALL GRADING TO PROVIDE POSITIVE DRAINAGE AWAY FROM STRUCTURES AND SMOOTH SURFACE DRAINAGE OF THE ENTIRE AREA WITHIN THE LIMITS OF CONSTRUCTION. GRADING SHALL PROPERLY BLEND WITH SURROUNDING TOPOGRAPHY AND STRUCTURES.
- B. IF DEEMED SUITABLE PER GEOTECHNICAL ENGINEER, UTILIZE FILL MATERIAL RESULTING FROM EXCAVATION FOR THE CONSTRUCTION OF FILLS, EMBANKMENTS, AND FOR REPLACEMENT OF REMOVED UNSUITABLE MATERIALS.
- C. ACHIEVE FINISHED GRADE BY PLACING A MINIMUM OF 4 INCHES OF 1/2" - 3/4" CRUSHED STONE ON IF APPLICABLE, TOP OF SOIL STABILIZER FABRIC.
- D. REPAIR ALL ACCESS ROADS AND SURROUNDING AREAS DISTURBED DURING THE COURSE OF THIS WORK TO THEIR ORIGINAL CONDITION.

3.7 ASPHALT PAVING: SHALL BE PERFORMED PER COLORADO DEPARTMENT OF TRANSPORTATION (CDOT), DIVISION 400 – CDOT PAVEMENT STANDARDS AND SPECIFICATIONS.




188 INVERNESS DRIVE WEST
SUITE 400
ENGLEWOOD, CO 80112



4600 SOUTH SYRACUSE STREET
SUITE 800
DENVER, COLORADO 80237

PROJECT/PHASE NO:	129551/1183
DRAWN BY:	VDP
CHECKED BY:	JMH
RFDs:	

REV	DATE	DESCRIPTION
0	05/23/24	ISSUED FOR CONSTRUCTION



IT IS A VIOLATION OF LAW FOR ANY PERSON, UNLESS THEY ARE ACTING UNDER THE DIRECTION OF A LICENSED PROFESSIONAL ENGINEER, TO ALTER THIS DOCUMENT.

SCHRIEVER AIR FORCE BASE
COL02065
15642 HIGHWAY 94
COLORADO SPRINGS, CO 80930
CELL SITE RF MODIFICATIONS

SHEET TITLE
GENERAL SITE WORK &
DRAINAGE NOTES

SHEET NUMBER
GN-3

GENERAL CONCRETE WORK NOTES

PART 1 – GENERAL

1.1 SCOPE:

- A. FORM WORK, REINFORCING STEEL, ACCESSORIES, CAST-IN PLACE CONCRETE, FINISHING, CURING, AND TESTING FOR STRUCTURAL CONCRETE FOUNDATIONS.

1.2 REFERENCES:

- A. ACI (AMERICAN CONCRETE INSTITUTE)
 1. ACI 301 SPECIFICATION FOR STRUCTURAL CONCRETE FOR BUILDINGS.
 2. ACI 304 RECOMMENDED PRACTICE FOR MEASURING, MIXING, TRANSPORTING AND PLACING CONCRETE.
 3. ACI 305 RECOMMENDED PRACTICE FOR HOT WEATHER CONCRETING.
 4. ACI 306 RECOMMENDED PRACTICE FOR COLD WEATHER CONCRETING.
 5. ACI 308 STANDARD PRACTICE FOR CURING CONCRETING.
 6. ACI 309 STANDARD PRACTICE FOR CONSOLIDATION OF CONCRETE.
 7. ACI 318 BUILDING CODE REQUIREMENTS FOR REINFORCED CONCRETE.
 8. ACI 347 RECOMMENDED PRACTICE FOR CONCRETE FORMWORK.
- B. THE APPLICABLE STANDARDS OF THE AMERICAN SOCIETY FOR TESTING AND MATERIALS (ASTM) ARE REFERENCED IN THE ACI STANDARDS AND ARE A PART OF THIS SPECIFICATION.

PART 2 – PRODUCTS

2.1 REINFORCING MATERIALS:

- B. REINFORCING BARS: ASTM A615, GRADE 60, PROPOSED DEFORMED BILLET–STEEL BARS, PLAIN FINISH.
- C. CONTRACTOR SHALL FURNISH CHAIRS, BOLSTERS, BAR SUPPORTS, SPACERS AS REQUIRED FOR SUPPORT OF REINFORCING STEEL AND WIRE FABRIC.

2.2 CONCRETE MATERIALS:

- A. PORTLAND CEMENT SHALL BE TYPE II, CONFORMING TO ASTM C–150.
- B. AGGREGATE SHALL CONFORM TO ASTM C–33.
 1. FINE AGGREGATE SHALL BE UNIFORMLY GRADED, CLEAN, SHARP, AND WASHED NATURAL OR CRUSHED SAND, FREE FROM ORGANIC IMPURITIES.
 2. COARSE AGGREGATE SHALL BE NATURAL WASHED GRAVEL OR CRUSHED ROCK CONSISTING HARD, STRONG, DURABLE PIECES, FREE FROM ADHERENT COATINGS.
 3. MAXIMUM SIZE OF COARSE AGGREGATE SHALL BE 3/4 INCH IN ACCORDANCE WITH THE REQUIREMENTS OF ASTM C–33 GRADATION SIZE NO. 67.
- C. WATER USED IN CONCRETE MIX SHALL BE POTABLE, CLEAN, AND FREE FROM OILS, ACIDS, SALTS, CHLORIDES, ALKALI, SUGAR, VEGETABLE, OR OTHER DELETARIOUS SUBSTANCES.
- D. THE CONCRETE SHALL CONTAIN AN AIR–ENTRAINING ADMIXTURE COMPLYING WITH THE REQUIREMENTS OF ASTM C–260 AND ACI 212. 1R AND A WATER–REDUCING ADMIXTURE COMPLYING WITH THE REQUIREMENTS OF ASTM C–494 AND ACI 212.1R. ADMIXTURES SHALL BE PURCHASED AND BATCHED IN LIQUID SOLUTION. THE USE OF CALCIUM CHLORIDE OR AN ADMIXTURE CONTAINING CALCIUM CHLORIDE IS PROHIBITED. ADMIXTURES SHALL BE OF THE SAME MANUFACTURER TO ASSURE COMPATIBILITY. ACCEPTABLE MANUFACTURERS ARE:
 1. W.R. GRACE
 2. SIKA CORPORATION
 3. MASTER BUILDERS
 4. EUCLID CHEMICAL COMPANY
- E. CURING COMPOUND SHALL CONFORM TO ASTM C309, TYPE I, ID, CLASS A AND B, AND ASTM C171 AS APPLICABLE.

2.3 CONCRETE MIX:

- A. PROPORTION CONCRETE MIX IN ACCORDANCE WITH REQUIREMENTS OF ACI 301. THE STRENGTH OF CONCRETE SHALL BE AS INDICATED ON THE DRAWINGS. WHERE STRENGTH IS NOT CLEARLY INDICATED, CONCRETE OF MINIMUM 28 DAY COMPRESSIVE STRENGTH OF 4,000 PSI SHALL BE USED.
- B. THE CONCRETE MIX SHALL BE DESIGNED FOR A MAXIMUM SLUMP OF THREE INCHES AT THE POINT OF DISCHARGE. MIXES OF THE STIFFEST CONSISTENCY THAT CAN BE EFFICIENTLY PLACED SHALL BE USED.
- C. ALL CONCRETE SHALL HAVE THREE (3) TO FIVE (5) PERCENT ENTRAINED AIR.
- D. ALL STRUCTURAL CONCRETE SHALL CONTAIN A WATER–REDUCING AGENT.

PART 3 – EXECUTION

3.1 GENERAL:

- A. CONSTRUCT AND ERECT THE FORM WORK IN ACCORDANCE WITH ACI 301 AND ACI 347.
- B. COLD–WEATHER CONCRETING SHALL BE IN ACCORDANCE WITH ACI 306.
- C. HOT–WEATHER CONCRETING SHALL BE IN ACCORDANCE WITH ACI 305.

3.2 INSERTS, EMBEDDED COMPONENTS, AND OPENINGS:

- A. CONTRACTOR SHALL CHECK ALL CIVIL, ARCHITECTURAL, STRUCTURAL, AND ELECTRICAL DRAWINGS FOR OPENINGS, SLEEVES, ANCHOR BOLTS, INSERTS, AND OTHER ITEMS TO BE INCORPORATED INTO THE CONCRETE WORK.
- B. COORDINATE THE WORK OF OTHER SECTION IN FORMING AND SETTING OPENINGS, RECESSES, SLOTS, CHASES, ANCHORS, INSERTS, AND OTHER ITEMS TO BE EMBEDDED.
- C. EMBEDDED ITEMS SHALL BE SET ACCURATELY IN LOCATION, ALIGNMENT, ELEVATION AND PLUMBNESS, LOCATED AND MEASURED FROM ESTABLISHED SURVEYED REFERENCE BENCHMARKS.

- D. EMBEDDED ITEMS SHALL BE ANCHORED INTO PLACE IN A MANNER TO PREVENT MOVEMENT DURING CONCRETE PLACEMENT AND CONSOLIDATION. COMPONENTS FORMING A PART OF A COMPLETE ASSEMBLY SHALL BE ALIGNED BEFORE ANCHORING INTO PLACE. PROVIDE TEMPORARY BRACING, ANCHORAGE, AND TEMPLATES AS REQUIRED TO MAINTAIN THE SETTING AND ALIGNMENT.

3.3 REINFORCEMENT PLACEMENT:

- A. PLACE REINFORCEMENT ACCORDING TO CONSTRUCTION PLAN SET DRAWINGS AND IN ACCORDANCE WITH ACI 301 AND ACI 318.
- B. ACCURATELY POSITION, SUPPORT, AND SECURE REINFORCEMENT AGAINST DISPLACEMENT FROM FORM WORK CONSTRUCTION OR CONCRETE PLACEMENT AND CONSOLIDATION. SUPPORT REINFORCING ON METAL CHAIRS, RUNNERS, BOLSTERS, SPACERS AND HANGERS.
- C. SPLICES OF REINFORCING BARS SHALL BE CLASS B UNLESS SPECIFIED OTHERWISE ON THE DRAWINGS. SPLICES SHALL BE STAGGERED AND FULL DEVELOPMENT LENGTH SHALL BE PROVIDED ACROSS JOINTS.
- D. LOCATE REINFORCING TO PROVIDE CONCRETE COVER AND SPACING SHOWN ON THE DRAWINGS. MINIMUM COVER SHALL BE AS REQUIRED BY ACI 318.
- E. WELDING OF AND TO ANY REINFORCING MATERIALS, INCLUDING TACK WELDING OF CROSSING BARS, IS STRICTLY PROHIBITED.

3.4 CONCRETE PLACEMENT:

- A. PRIOR TO PLACING CONCRETE, THE FORMS AND REINFORCEMENT SHALL BE THOROUGHLY INSPECTED; ALL TEMPORARY BRACING, TIES, AND CLEATS REMOVED; ALL OPENINGS FOR UTILITIES PROPERLY BOXED; ALL FORMS PROPERLY SECURED IN THEIR CORRECT POSITION AND MADE TIGHT. ALL REINFORCEMENT AND EMBEDDED ITEMS SHALL BE SECURED IN THEIR PROPER LOCATIONS. ALL OLD AND DRY CONCRETE AND DIRT SHALL BE CLEANED OFF AND ALL STANDING WATER AND OTHER FOREIGN MATERIAL REMOVED.
- B. CONCRETE SHALL BE IN ACCORDANCE WITH ACI 301 AND ACI 304 AND SHALL BE PLACED AT SUCH A RATE THAT THE CONCRETE PREVIOUSLY PLACED IS STILL PLASTIC AND INTEGRATED WITH THE FRESH CONCRETE. CONCRETE PLACEMENT, ONCE STARTED, SHALL BE CARRIED ON AS A CONTINUOUS OPERATION UNTIL THE SECTION IS COMPLETED. COLD JOINTS ARE NOT ALLOWED UNLESS PRE–APPROVED BY ENGINEER.
- C. ALL CONCRETE SHALL BE THOROUGHLY CONSOLIDATED AND COMPACTED BY VIBRATION SPACING, RODDING, OR FORKING DURING THE OPERATION OF PLACING IN ACCORDANCE WITH ACI 309. THE CONCRETE SHALL BE THOROUGHLY WORKED AROUND REINFORCEMENT, EMBEDDED ITEMS, AND INTO THE CORNER OF THE FORMS SO AS TO ELIMINATE ALL AIR POCKETS AND VOIDS.

3.5 FINISHING:

- A. FINISHING OF THE FLOOR SLABS SHALL BE IN ACCORDANCE WITH ACI 302.1 SECTION 7.2 AND SHALL INCLUDE A MINIMUM OF THREE TROWELINGS. IN ACCORDANCE WITH ASTM E 1155 THE SLAB FINISH TOLERANCE AS MEASURED SHALL HAVE AN OVERALL TEST NUMBER FOR FLATNESS OF Ff= 20 AND F1 = 15. THE MINIMUM LOCAL NUMBER FOR FLATNESS, Ff= 15 AND F1=10.
- B. SURFACE OF FLOOR SLAB SHALL RECEIVE TWO COATS OF CLEAR SEALER/HARDNER.
- C. ABOVE GRADE WALL SURFACES SHALL HAVE A SMOOTH FORM FINISH AS DEFINED IN CHAPTER 10 OF ACI 301.

3.6 CURING:

- A. FRESHLY DEPOSITED CONCRETE SHALL BE PROTECTED FROM PREMATURE DRYING AND EXCESSIVELY HOT AND COLD TEMPERATURES, AND SHALL BE MAINTAINED WITH MINIMUM MOISTURE LOSS AT A RELATIVELY CONSTANT TEMPERATURE FOR A PERIOD OF TIME NECESSARY FOR THE HYDRATION OF THE CEMENT AND PROPER CURING OF THE CONCRETE.
- B. CONCRETE SHALL BE KEPT CONTINUOUSLY MOIST AT LEAST OVERNIGHT, IMMEDIATELY FOLLOWING THE INITIAL CURING. BEFORE THE CONCRETE HAS DRIED. ADDITIONAL CURING SHALL BE ACCOMPLISHED BY ONE OF THE FOLLOWING MATERIALS OR METHODS:
 1. PONDING OR CONTINUOUS SPRINKLING.
 2. ABSORPTIVE MAT OR FABRIC KEPT CONTINUOUSLY WET.
 3. NON–ABSORPTIVE FILM (POLYETHYLENE) OVER PREVIOUSLY SPRINKLED SURFACE.
 4. SAND OR OTHER COVERING KEPT CONTINUOUSLY WET.
 5. CONTINUOUS STEAM (NOT EXCEEDING 150 DEGREES FAHRENHEIT OR VAPOR MIST BATH.
 6. CURING COMPOUND APPLIED IN TWO COATS, SPRAYED IN PERPENDICULAR DIRECTION
- C. THE FINAL CURING SHALL CONTINUE UNTIL THE CUMULATIVE NUMBER OF DAYS OR FRACTION THEREOF, NOT NECESSARILY CONSECUTIVE, DURING WHICH TEMPERATURE OF THE AIR IN CONTACT WITH CONCRETE IS ABOVE 50 DEGREES FAHRENHEIT HAS TOTALED SEVEN (7) DAYS. CONCRETE SHALL NOT BE PERMITTED TO FREEZE DURING THE CURING PERIOD. RAPID DRYING AT THE END OF THE CURING PERIOD SHALL BE PREVENTED.



188 INVERNESS DRIVE WEST
SUITE 400
ENGLEWOOD, CO 80112



BLACK & VEATCH

4600 SOUTH SYRACUSE STREET
SUITE 800
DENVER, COLORADO 80237

PROJECT/PHASE NO: 129551/1183

DRAWN BY: VDP

CHECKED BY: JMH

RFDs:

REV	DATE	DESCRIPTION
0	05/23/24	ISSUED FOR CONSTRUCTION



IT IS A VIOLATION OF LAW FOR ANY PERSON, UNLESS THEY ARE ACTING UNDER THE DIRECTION OF A LICENSED PROFESSIONAL ENGINEER, TO ALTER THIS DOCUMENT.

SCHRIEVER AIR FORCE BASE
COL02065
15642 HIGHWAY 94
COLORADO SPRINGS, CO 80930
CELL SITE RF MODIFICATIONS

SHEET TITLE
GENERAL CONCRETE WORK NOTES

SHEET NUMBER
GN-4

GENERAL STRUCTURAL STEEL NOTES

PART 1 – GENERAL

1.1 SCOPE:

- A. PROVIDE FABRICATION AND ERECTION OF STRUCTURAL STEEL AND OTHER ELEMENTS AS SHOWN ON THE DRAWINGS OR REQUIRED BY OTHER SECTIONS OF THESE SPECIFICATIONS.

1.2 REFERENCES:

- A. AMERICAN INSTITUTE OF STEEL CONSTRUCTION (AISC). MANUAL OF STEEL CONSTRUCTION, ALLOWABLE STRESS DESIGN (ASD).
- B. AMERICAN SOCIETY FOR TESTING AND MATERIALS (ASTM).
 ASTM A36: STRUCTURAL STEEL
 ASTM A53: PIPE, STEEL BLACK AND HOT DIPPED, ZINC-COATED WELDED AND SEAMLESS.
 ASTM A108: STEEL BARS, CARBON, COLD FINISHED, STANDARD QUALITY.
 ASTM A123: ZINC (HOT-DIPPED GALVANIZED) COATING ON IRON AND STEEL PRODUCTS.
 ASTM A307: CARBON STEEL BOLTS AND STUD, 60,000 P.S.I. TENSILE STRENGTH.
 ASTM A325: HIGH-STRENGTH BOLT FOR STRUCTURAL STEEL JOINTS.
 ASTM A490: HEAT-TREATED, STRUCTURAL STEEL BOLTS, 150 (KSI) (1035MPA) TENSILE STRENGTH.
 ASTM A500: COLD-FORMED WELDED AND SEAMLESS CARBON STEEL STRUCTURAL TUBING IN ROUNDS AND SHAPES.
 ASTM A563: CARBON AND ALLOY STEEL NUTS.
 ASTM B695: COATINGS OF ZINC MECHANICALLY DEPOSITED ON IRON AND STEEL.
 ASTM F436: HARDENED STEEL WASHERS.
 ASTM F959: COMPRESSIBLE-WASHER-TYPE DIRECT TENSION INDICATOR FOR USE WITH STRUCTURAL FASTENERS.
- C. AMERICAN WELDING SOCIETY (AWS):
 AWS A5.1: COVERED CARBON STEEL ARC WELDING ELECTRODES.
 AWS A5.5: LOW ALLOY STEEL COVERED ARC WELDING ELECTRODES.
 AWS D1.1: STRUCTURAL WELDING CODE – STEEL.
- D. RESEARCH COUNCIL ON STRUCTURAL CONNECTIONS (RCSC): "SPECIFICATIONS FOR STRUCTURAL JOINTS USING ASTM A325 BOLTS OR ASTM A490 BOLTS." AS ENDORSED BY AISC.
- E. STEEL STRUCTURES PAINTING COUNCIL (SSPC):
 SSPC-SP3: POWER TOOL CLEANING.
 SSPC-PAINT 11: RED IRON OXIDE, ZINC CHROME, RAW LINSEED OIL OR ALKYD PAINT.

1.3 SUBMITTALS:

- A. SUBMIT THE FOLLOWING FOR APPROVAL:
 - 1. FABRICATION AND ERECTION DRAWINGS SHOWING ALL DETAILS, CONNECTIONS, MATERIAL DESIGNATIONS, AND ALL TOP STEEL ELEVATIONS.
 - B. WELDERS SHALL BE QUALIFIED AS PRESCRIBED IN AWS D1.1.

PART 2 – PRODUCTS

2.1 STRUCTURAL STEEL:

- A. SHAPES, PLATES, AND BARS SHALL CONFORM TO ASTM A36.
- B. STRUCTURAL TUBING SHALL CONFORM TO ASTM A500, GRADE B. STEEL PIPE SHALL CONFORM TO ASTM A53, TYPE E OR S, GRADE B.

2.2 ANCHOR BOLTS:

- A. ANCHOR BOLTS SHALL CONFORM TO ASTM A307 WITH HEAVY HEXAGONAL NUTS.

2.3 BOLTS:

- A. COMMON (MACHINE) BOLTS SHALL CONFORM TO ASTM A307 GRADE A AND NUTS TO ASTM A563. ONE COMMON BOLT ASSEMBLY SHALL CONSIST OF A BOLT, A HEAVY HEX NUT, AND A HARDENED WASHER.
- B. HIGH-STRENGTH BOLTS SHALL CONFORM TO ASTM A325 ONE HIGH. STRENGTH BOLT ASSEMBLY SHALL CONSIST OF A HEAVY HEX STRUCTURAL BOLT, A HEAVY HEX NUT, AND A HARDENED WASHER CONFORMING TO ASTM F436. THE HARDENED WASHER SHALL BE INSTALLED AGAINST THE ELEMENT TURNED IN TIGHTENING. UNLESS NOTED OTHERWISE ON THE DRAWINGS, ALL CONNECTIONS SHALL BE BEARING TYPE CONNECTIONS.

2.4 WELDING ELECTRODES:

- A. WELDING ELECTRODES SHALL COMPLY WITH AWS D1.1 USING A5.1 OR A5.5 E70XX AND SHALL BE COMPATIBLE WITH THE WELDING PROCESS SELECTED.

2.5 PRIMER:

- A. PRIMER SHALL BE RED OXIDE-CHROMATE PRIMER COMPLYING WITH SSPC PAINT SPECIFICATION NO. 11.

PART 3 – EXECUTION

3.1 FABRICATION:

- A. SHOP FABRICATE AND ASSEMBLY MATERIALS AS SPECIFIED HEREIN.
 - 1. FABRICATE ITEMS OF STRUCTURAL STEEL IN ACCORDANCE WITH THE AISC-ASD SPECIFICATIONS, AND AS INDICATED ON THE APPROVED SHOP DRAWINGS.
 - 2. ALL EXPOSED STRUCTURAL STEEL SHALL BE HOT DIP GALVANIZED PER ASTM.
 - 3. PROPERLY MARK AND MATCH-MARK MATERIALS FOR FIELD ASSEMBLY AND FOR IDENTIFICATION AS TO INTENDED LOCATION.
 - 4. FABRICATE AND DELIVER IN A SEQUENCE WHICH WILL EXPEDITE ERECTION AND MINIMIZE FIELD HANDLING OF MATERIALS.
 - 5. WHERE FINISHING IS REQUIRED, COMPLETE THE ASSEMBLY, INCLUDING THE WELDING OF UNITS, BEFORE START OF FINISHING OPERATIONS.
 - 6. THE FINISH SURFACE OF MEMBERS EXPOSED IN THE FINISHED STRUCTURE SHALL BE FREE FROM MARKINGS, BURNS, AND OTHER DEFECTS.
- B. PROVIDE CONNECTIONS AS SPECIFIED HEREIN:
 - 1. PROVIDE BOLTS AND WASHERS OF TYPES AND SIZE REQUIRED FOR COMPLETION OF FIELD ERECTION. USE 3/4" DIAMETER A325 BOLTS UNLESS NOTED OTHERWISE.
 - 2. INSTALL HIGH STRENGTH THREADED FASTENERS IN ACCORDANCE WITH "SPECIFICATION FOR STRUCTURAL JOINTS USING ASTM A325 OR ASTM A490 BOLTS."

- 3. WELDED CONSTRUCTION SHALL COMPLY WITH AWS D1.1 FOR PROCEDURES, APPEARANCE, QUALITY OF WELD, AND METHODS USED IN CORRECTING WELDED WORK.

- 4. THE FABRICATOR SHALL FURNISH AND INSTALL ERECTION CLIPS FOR FIT-UP OF WELDED CONNECTIONS.

- 5. DOUBLE ANGLE MEMBERS SHALL HAVE WELDED FILLERS SPACED IN ACCORDANCE WITH CHAPTER E4 OF THE AISC-ASD SPECIFICATION.

- 6. GUSSET AND STIFFENER PLATES SHALL BE 3/8" THICK MINIMUM.

3.2 PRIMING:

- A. STRUCTURAL STEEL SHALL BE PRIMED AS SPECIFIED HEREIN, UNLESS SHOWN OTHERWISE ON THE DRAWINGS.
- B. STRUCTURAL STEEL SURFACE PREPARATION SHALL CONFIRM TO SSPC-SP3, "POWER TOOL CLEANING."
- C. SURFACE PREPARATION AND PRIMER SHALL BE IN ACCORDANCE WITH AISC CODE OF STANDARD PRACTICE IN THE ASD MANUAL OF STEEL CONSTRUCTION.
- D. MATERIALS SHALL REMAIN CLOSED UNTIL REQUIRED FOR USE. MANUFACTURER'S POT-LIFE REQUIREMENTS SHALL BE STRICTLY ADHERED TO.
- E. PRIMER SHALL BE APPLIED TO DRY, CLEAN, PREPARED SURFACE AND UNDER FAVORABLE CONDITIONS IN ACCORDANCE WITH MANUFACTURER'S INSTRUCTIONS. UNLESS OTHERWISE RECOMMENDED BY THE MANUFACTURER, PRIMING SHALL NOT BE DONE WHEN AMBIENT TEMPERATURE IS LESS THAN 50 DEGREES FAHRENHEIT, THE RELATIVE HUMIDITY IS MORE THAN 90 PERCENT, OR THE SURFACE TEMPERATURE IS LESS THAN 5 DEGREES FAHRENHEIT ABOVE THE DEW POINT.
- F. GENERALLY ALL PRIMER SHALL BE SPRAY APPLIED. BRUSH OR ROLLER APPLICATION SHALL BE LIMITED TO TOUCHUP AND TO AREAS NOT ACCESSIBLE BY SPRAY GUN.
- G. PRIMER SHALL BE UNIFORMLY APPLIED WITHOUT RUNS, SAGS, SOLVENT BLISTERS, DRY SPRAY, OR OTHER BLEMISHES. ALL BLEMISHES AND OTHER IRREGULARITIES SHALL BE REPAIRED OR REMOVED AND THE AREA RE-COATED. SPECIAL ATTENTION SHALL BE PAID TO CREVICES, WELD LINES, BOLT HEADS, CORNERS, EDGES, ETC., TO OBTAIN THE REQUIRED NOMINAL FILM THICKNESS.
- H. DRY COAT FILM THICKNESS OF THE PRIMER SHALL BE 2.0 MILLIMETERS.
- I. IF THE PRIMER IS DAMAGED BY WELDING OR IN ANY OTHER MANNER, THE AREA SHALL BE TOUCHED UP AND REPAIRED. THE TOUCHUP PAINT SHALL BE COMPATIBLE WITH THE PREVIOUS APPLIED PRIMER COAT WITH MINIMUM DRY FILM THICKNESS OF 1.5 MILLIMETERS.

3.3 INSTALLATION:

- A. INSTALLATION OF STRUCTURAL STEEL SHALL COMPLY WITH AISC "CODE OF STANDARD PRACTICE."
- B. STRUCTURAL FIELD WELDING SHALL BE DONE BY THE ELECTRIC SUBMERGED OR SHIELDED METAL ARC PROCESS. WELDED CONSTRUCTION METHODS SHALL COMPLY WITH AWS D1.1.
- C. PROVIDE ANCHOR BOLTS AND OTHER CONNECTORS REQUIRED FOR SECURING STRUCTURAL STEEL TO MASONARY WALLS AND TO OTHER IN-PLACE WORK. PROVIDE TEMPLATES AND OTHER DEVICES NECESSARY FOR PRESETTING BOLTS AND ANCHORS TO ACCURATE LOCATIONS.
- D. SPLICE MEMBERS ONLY WHERE INDICATED ON THE DRAWINGS.
- E. PROVIDE TEMPORARY SHORING BRACING WITH CONNECTIONS OF SUFFICIENT STRENGTH TO BEAR IMPOSED LOADS. REMOVE TEMPORARY CONNECTIONS AND MEMBERS WHEN PERMANENT MEMBERS ARE IN PLACE AND THE FINAL CONNECTIONS HAVE BEEN MADE.
- F. BEFORE ASSEMBLY ALIGN AND ADJUST MEMBERS AND OTHER SURFACES WHICH WILL BE IN THE PERMANENT CONTACT, BEFORE ASSEMBLY.
- G. AS A MINIMUM, HIGH-STRENGTH BOLTS, SHALL BE TIGHTENED TO A "SNUG-TIGHT" CONDITION AS DEFINED IN THE LATEST AISC SPECIFICATIONS. ALL HIGH-STRENGTH BOLTS SPECIFIED ON THE DESIGN DRAWINGS TO BE USED IN PRETENSIONED OR SLIP-CRITICAL JOINTS SHALL BE TIGHTENED TO A BOLT TENSION NOT LESS THAN SPECIFIED IN AISC TABLE J3.1. INSTALLATION SHALL BE BY ANY OF THE FOLLOWING METHODS: TURN-OF NUT METHOD, A DIRECT-TENSION-INDICATOR, TWIST-OFF-TYPE TENSION-CONTROL BOLT, CALIBRATED WRENCH, OR ALTERNATIVE DESIGN BOLT.



188 INVERNESS DRIVE WEST
SUITE 400
ENGLEWOOD, CO 80112



BLACK & VEATCH

4600 SOUTH SYRACUSE STREET
SUITE 800
DENVER, COLORADO 80237

PROJECT/PHASE NO: 129551/1183

DRAWN BY: VDP

CHECKED BY: JMH

RFDS:

REV	DATE	DESCRIPTION
0	05/23/24	ISSUED FOR CONSTRUCTION



IT IS A VIOLATION OF LAW FOR ANY PERSON, UNLESS THEY ARE ACTING UNDER THE DIRECTION OF A LICENSED PROFESSIONAL ENGINEER, TO ALTER THIS DOCUMENT.

SCHRIEVER AIR FORCE BASE
COL02065
15642 HIGHWAY 94
COLORADO SPRINGS, CO 80930
CELL SITE RF MODIFICATIONS

SHEET TITLE
**GENERAL STRUCTURAL
STEEL NOTES**

SHEET NUMBER

GN-5

GENERAL ELECTRICAL NOTES

PART 1 - GENERAL

1.1 GENERAL CONDITIONS:

- CONTRACTOR SHALL INSPECT THE EXISTING SITE CONDITIONS PRIOR TO PERFORMING WORK. ANY QUESTIONS ARISING DURING THE BID PERIOD REGARDING THE CONTRACTOR'S FUNCTIONS, THE SCOPE OF WORK, OR ANY OTHER ISSUE RELATED TO THIS PROJECT SHALL BE BROUGHT UP DURING THE BID PERIOD WITH THE PROJECT MANAGER FOR CLARIFICATION, PRIOR TO THE AWARD OF THE CONTRACT.
- THE CONTRACTOR SHALL OBTAIN PERMITS, LICENSES, MAKE ALL DEPOSITS, AND PAY ALL FEES REQUIRED FOR THE CONSTRUCTION PERFORMANCE OF THE WORK UNDER THIS SECTION.
- THE CONTRACTOR SHALL VERIFY ALL DIMENSIONS. DRAWING SHALL NOT BE SCALED TO DETERMINE DIMENSIONS. DRAWINGS SHOW THE GENERAL ARRANGEMENT OF ALL SYSTEMS AND COMPONENTS COVERED UNDER THIS SECTION.

1.2 LAWS, REGULATIONS, ORDINANCES, STATUTES, AND CODES:

- ALL WORK SHALL BE INSTALLED IN ACCORDANCE WITH THE LATEST EDITION OF THE NATIONAL ELECTRICAL CODE, AND ALL APPLICABLE LOCAL LAWS, REGULATIONS, ORDINANCES, STATUTES, AND CODES. CONDUIT BENDS SHALL BE THE RADIUS BEND FOR THE TRADE SIZE OF CONDUIT IN COMPLIANCE WITH THE LATEST EDITIONS OF NEC.

1.3 REFERENCES:

- THE PUBLICATIONS LISTED BELOW ARE PART OF THIS SPECIFICATION. EACH PUBLICATION SHALL BE THE LATEST REVISION AND ADDENDUM IN EFFECT ON THE DATE OF CONSTRUCTION. EXCEPT AS MODIFIED BY THE REQUIREMENT SPECIFIED HEREIN OR THE DETAILS OF THE DRAWINGS, WORK INCLUDED IN THIS SPECIFICATION SHALL CONFORM TO THE APPLICABLE PROVISION OF THESE PUBLICATIONS.

- ANSI/IEEE (AMERICAN NATIONAL STANDARDS INSTITUTE)
- ASTM (AMERICAN SOCIETY FOR TESTING AND MATERIALS)
- ICE (INSULATED CABLE ENGINEERS ASSOCIATION)
- NEMA (NATIONAL ELECTRICAL MANUFACTURER'S ASSOCIATION)
- NFPA (NATIONAL FIRE PROTECTION ASSOCIATION)
- OSHA (OCCUPATIONAL SAFETY AND HEALTH ADMINISTRATION)
- UL (UNDERWRITERS LABORATORIES, INC.)
- AT&T GROUNDING AND BONDING STANDARDS TP-76416

1.4 SCOPE OF WORK:

- WORK UNDER THIS SECTION SHALL CONSIST OF FURNISHING ALL LABOR, MATERIAL, AND ASSOCIATED SERVICES REQUIRED TO COMPLETE REQUIRED CONSTRUCTION AND TO ACHIEVE OPERATIONAL STATUS.
- ALL ELECTRICAL EQUIPMENT UNDER THIS CONTRACT SHALL BE PROPERLY TESTED, ADJUSTED, AND ALIGNED BY THE CONTRACTOR.
- THE CONTRACTOR SHALL BE RESPONSIBLE FOR ALL EXCAVATING, DRAINING, TRENCHING, BACKFILLING, AND REMOVAL OF EXCESS SOIL, FILL, AND DEBRIS.
- THE CONTRACTOR SHALL FURNISH THE OWNER WITH CERTIFICATES OF A FINAL INSPECTION AND APPROVAL FROM THE JURISDICTIONAL AUTHORITIES.
- IF APPLICABLE, THE CONTRACTOR SHALL PREPARE A COMPLETE SET OF AS-BUILT DRAWINGS TO DOCUMENT ALL WIRING EQUIPMENT CONDITIONS AND CHANGES WHILE COMPLETING THIS CONTRACT. THE AS-BUILT DRAWINGS SHALL BE SUBMITTED AT COMPLETION OF THE PROJECT TO THE APPROPRIATE PARTY.

PART 2 - PRODUCTS

2.1 GENERAL:

- ALL MATERIALS AND EQUIPMENT SHALL BE NEW, UL LISTED, AND FREE FROM DEFECTS.
- ALL EQUIPMENT SHALL BEAR THE UNDERWRITERS LABORATORIES (UL) LABEL OF APPROVAL AND SHALL CONFORM TO REQUIREMENT OF THE NATIONAL ELECTRICAL CODE.
- ALL ITEMS, MATERIALS, AND EQUIPMENT SHALL BE ACCEPTABLE TO THE JURISDICTIONAL AUTHORITY AND SUITABLE FOR THE USE INTENDED.
- ALL OVERCURRENT DEVICES SHALL HAVE AN INTERRUPTING CURRENT RATING OF GREATER THAN THE SHORT CIRCUIT CURRENT TO WHICH THEY ARE SUBJECTED (10,000 AIC MINIMUM). CONTRACTOR SHALL VERIFY THAT AVAILABLE SHORT CIRCUIT CURRENT DOES NOT EXCEED THE RATING OF ELECTRICAL EQUIPMENT IN ACCORDANCE WITH ARTICLE 110.24 NEC OR THE MOST CURRENT ADOPTED CODE PER THE GOVERNING JURISDICTION.

2.2 MATERIALS AND EQUIPMENT:

A. CONDUIT:

- RIGID METAL CONDUIT (RMC) SHALL BE HOT-DIPPED GALVANIZED INSIDE AND OUTSIDE INCLUDING ENDS AND THREADS, AND ENAMELED OR LACQUERED INSIDE IN ADDITION TO GALVANIZING.
- LIQUIDTIGHT FLEXIBLE METAL CONDUIT SHALL BE UL LISTED.
- CONDUIT CLAMPS, STRAPS, AND SUPPORTS SHALL BE STEEL OR MALLEABLE IRON. ALL FITTINGS SHALL BE COMPRESSION AND CONCRETE-TIGHT TYPE. GROUNDING BUSHINGS WITH INSULATED THROATS SHALL BE INSTALLED ON ALL CONDUIT TERMINATIONS.
- NONMETALLIC CONDUIT AND FITTINGS SHALL BE SCHEDULE 40 PVC AND INSTALLED USING SOLVENT-CEMENT-TYPE JOINTS AS RECOMMENDED BY THE MANUFACTURER.

B. CONDUCTORS AND CABLE:

- CONDUCTORS AND CABLE SHALL BE FLAME-RETARDANT, MOISTURE AND HEAT RESISTANT THERMOPLASTIC, SINGLE CONDUCTOR, COPPER, TYPE THHN/THWN-2, 600 VOLT, SIZE AS INDICATED, ON PLANS THE MINIMUM SIZE CONDUCTOR USED SHALL BE #12 AWG.
- #10 AWG AND SMALLER CONDUCTOR SHALL BE SOLID OR STRANDED. #8 AWG AND LARGER CONDUCTORS SHALL BE STRANDED.
- SOLDERLESS COMPRESSION TYPE CONNECTORS SHALL BE USED FOR TERMINATION OF ALL STRANDED CONDUCTORS.
- STRAIN-RELIEF SUPPORTS GRIPS SHALL BE HUBBELL KELLEMS OR APPROVED EQUAL. CABLES SHALL BE SUPPORTED IN ACCORDANCE WITH THE NEC AND CABLE MANUFACTURER'S RECOMMENDATIONS.
- ALL CONDUCTORS SHALL BE TAGGED AT BOTH ENDS OF THE CONDUCTOR, AT ALL PULL BOXES, J-BOXES, EQUIPMENT, CABINETS SHALL BE IDENTIFIED WITH APPROVED PLASTIC TAGS (ACTION CRAFT, BRADY, OR APPROVED EQUAL).

C. DISCONNECT SWITCHES:

- DISCONNECT SWITCHES SHALL BE HEAVY DUTY, DEAD-FRONT, QUICK-MAKE, QUICK-BREAK, EXTERNALLY OPERABLE, HANDLE LOCKABLE, INTERLOCK WITH COVER IN CLOSED POSITION, RATING AS INDICATED, UL LABELED, FURNISHED IN NEMA 3R ENCLOSURE, SQUARE-D, OR ENGINEERED APPROVED EQUAL.

D. CHEMICAL ELECTROLYTIC GROUNDING SYSTEM:

- INSTALL CHEMICAL GROUNDING AS REQUIRED. THE SYSTEM SHALL BE ELECTROLYTIC MAINTENANCE FREE ELECTRODE CONSISTING OF RODS WITH A MINIMUM #2 AWG CU EXOTHERMALLY WELDED PIGTAIL, PROTECTIVE BOXES, AND BACKFILL MATERIAL. MANUFACTURER SHALL BE LYNCOLE XIT GROUNDING ROD TYPES K2-(*)CS OR K2L-(*)CS (*) LENGTH AS REQUIRED.
- GROUND ACCESS BOX SHALL BE A POLYPLASTIC BOX FOR NON-TRAFFIC APPLICATIONS, INCLUDING BOLT DOWN FLUSH COVER WITH "BREATHER" HOLES, XIT MODEL #XB-22. ALL DISCONNECT SWITCHES AND CONTROLLING DEVICES SHALL BE PROVIDED WITH ENGRAVED LAMICOID NAMEPLATES INDICATING EQUIPMENT CONTROLLED, BRANCH CIRCUITS IDENTIFICATION NUMBERING, AND THE ELECTRICAL POWER SOURCE.
- BACKFILL MATERIAL SHALL BE LYNCONITE AND LYNCOLE GROUNDING GRAVEL.

E. SYSTEM GROUNDING:

- ALL GROUNDING COMPONENTS SHALL BE TINNED AND GROUNDING CONDUCTOR SHALL BE #2 AWG BARE, SOLID, TINNED COPPER. ABOVE-GRADE GROUNDING CONDUCTORS SHALL BE INSULATED WHERE NOTED.
- GROUNDING BUSES SHALL BE BARE, TINNED, ANNEALED COPPER BARS OF RECTANGULAR CROSS SECTION. STANDARD BUS BARS MGB SHALL BE FURNISHED AND INSTALLED BY THE CONTRACTOR AND THEY SHALL NOT BE FABRICATED OR MODIFIED IN THE FIELD. ALL GROUNDING BUSES SHALL BE IDENTIFIED WITH MINIMUM 3/4" LETTERS BY STENCILING OR DESIGNATION PLATE.
- CONNECTORS SHALL BE HIGH CONDUCTIVITY, HEAVY DUTY, LISTED AND LABELED AS GROUNDING CONNECTORS FOR THE MATERIALS USED. USE TWO-HOLE COMPRESSION LUGS WITH CLEAR HEAT SHRINK FOR MECHANICAL CONNECTIONS. USE TWO-HOLE COMPRESSION LUGS WITH INSPECTION WINDOW AND CLEAR HEAT SHRINK FOR INTERIOR AND BLACK HEAT SHRINK FOR EXTERIOR.
- EXOTHERMIC WELDED CONNECTIONS SHALL BE PROVIDED IN KIT FORM AND SELECTED FOR THE SPECIFIC TYPES, SIZES, AND COMBINATIONS OF CONDUCTORS AND OTHER ITEMS TO BE CONNECTED.
- GROUND RODS SHALL BE ERICO #615800, COPPER-CLAD STEEL WITH HIGH STRENGTH STEEL CORE AND ELECTROLYTIC GRADE COPPER OUTER SHEATH, MOLTEN WELDED TO CORE, AND 5/8"x10'-0". ALL GROUNDING RODS SHALL BE INSTALLED WITH INSPECTION SLEEVES AS SHOWN ON DRAWINGS.
- INSTALL AN EQUIPMENT GROUNDING CONDUCTOR IN ALL CONDUITS IN COMPLIANCE WITH THE AT&T SPECIFICATIONS AND NEC. THE EQUIPMENT GROUNDING CONDUCTORS SHALL BE BONDED AT ALL JUNCTION BOXES, PULLBOXES, DISCONNECT SWITCHES, STARTERS, AND EQUIPMENT CABINETS.

F. OTHER MATERIALS:

- THE CONTRACTOR SHALL PROVIDE OTHER MATERIALS, THOUGH NOT SPECIFICALLY DESCRIBED, WHICH ARE REQUIRED FOR A COMPLETELY OPERATIONAL SYSTEM AND PROPER INSTALLATION OF THE WORK.
- PROVIDE PULL BOXES AND JUNCTION BOXES WHERE SHOWN OR REQUIRED BY NEC.

G. PANELS AND LOAD CENTERS:

- ALL PANEL DIRECTORIES SHALL BE TYPEWRITTEN.

PART 3 - EXECUTION

3.1 GENERAL:

- ALL MATERIAL AND EQUIPMENT SHALL BE INSTALLED IN STRICT ACCORDANCE WITH THE MANUFACTURER'S RECOMMENDATIONS.
- DURING INSTALLATION AND CONSTRUCTION PERIODS EQUIPMENT SHALL BE TIGHTLY COVERED AND PROTECTED AGAINST DIRT, WATER, AND CHEMICAL OR MECHANICAL INJURY.
- LABOR AND WORKMANSHIP:
 - ALL LABOR FOR THE INSTALLATION OF MATERIALS AND EQUIPMENT FURNISHED FOR THE ELECTRICAL SYSTEM SHALL BE INSTALLED BY EXPERIENCED WIREMEN IN A NEAT AND WORKMAN-LIKE MANNER.
 - ALL ELECTRICAL EQUIPMENT SHALL BE ADJUSTED, ALIGNED, AND TESTED BY THE CONTRACTOR AS REQUIRED TO CONFIRM THE INTENDED PERFORMANCE.
 - UPON COMPLETION OF WORK, THE CONTRACTOR SHALL THOROUGHLY CLEAN ALL EXPOSED EQUIPMENT, REMOVE ALL NECESSARY LABELS, DEBRIS, CRATING, OR CARTONS, AND LEAVE THE INSTALLATION FINISHED AND READY FOR OPERATION.

3.2 COORDINATION:

- THE CONTRACTOR SHALL COORDINATE THE INSTALLATION OF ELECTRICAL ITEMS WITH THE OWNER-FURNISHED EQUIPMENT DELIVERY SCHEDULE TO PREVENT UNNECESSARY DELAYS IN THE SCHEDULED WORK.

3.4 INSTALLATION:

B. CONDUIT:

- ALL ELECTRICAL WIRING SHALL BE INSTALLED IN CONDUIT AS SPECIFIED. NO CONDUIT OR TUBING OF LESS THAN 3/4" TRADE SIZE SHALL BE UTILIZED.
- PROVIDE RIGID PVC SCHEDULE 80 CONDUITS FOR ALL RISERS UNLESS OTHERWISE NOTED. EMT MAY BE INSTALLED FOR EXTERIOR CONDUITS WHERE NOT SUBJECT TO PHYSICAL DAMAGE.
- INSTALL SCHEDULE 40 PVC CONDUIT WITH A MINIMUM COVER OF 24" UNDER ROADWAYS, PARKING LOTS, STREETS, AND ALLEYS. CONDUIT SHALL HAVE A MINIMUM COVER OF 18" IN ALL NON-TRAFFIC APPLICATIONS (REFER TO 2020 OR LATEST NEC, TABLE 300.5).
- USE GALVANIZED FLEXIBLE STEEL CONDUIT AT LOCATIONS OF DIRECT CONNECTION TO EQUIPMENT THAT MOVES OR VIBRATES, OR FOR EASE OF MAINTENANCE. USE LIQUID TIGHT, FLEXIBLE METAL CONDUIT FOR OUTDOOR APPLICATIONS. INSTALL GALVANIZED FLEXIBLE STEEL CONDUIT AT ALL POINTS OF CONNECTION TO EQUIPMENT MOUNTED ON SUPPORTS TO ALLOW FOR EXPANSION AND CONTRACTION.
- A RUN OF CONDUIT BETWEEN BOXES OR EQUIPMENT SHALL NOT CONTAIN MORE THAN THE EQUIVALENT OF THREE QUARTER-BENDS. CONDUIT BEND SHALL BE MADE WITH THE UL LISTED BENDER OR FACTORY 90 DEGREE ELBOWS MAY BE USED.
- FIELD FABRICATED CONDUITS SHALL BE CUT SQUARE WITH A CONDUIT CUTTING TOOL AND REAMED TO PROVIDE A SMOOTH INSIDE SURFACE.
- CONTRACTOR IS RESPONSIBLE FOR PROTECTING ALL CONDUITS DURING CONSTRUCTION. TEMPORARY OPENINGS IN THE CONDUIT SYSTEM SHALL BE PLUGGED OR CAPPED TO PREVENT ENTRANCE OF MOISTURE OR FOREIGN MATTER. CONTRACTOR SHALL REPLACE ANY CONDUITS CONTAINING FOREIGN MATERIALS THAT CANNOT BE REMOVED.
- ALL CONDUITS SHALL BE SWABBED CLEAN BY PULLING AN APPROPRIATE SIZE MANDREL THROUGH THE CONDUIT BEFORE INSTALLATION OF CONDUCTORS OR CABLES. CONDUIT SHALL BE FREE OF DIRT AND DEBRIS.
- INSTALL PULL STRINGS IN ALL CLEAN EMPTY CONDUITS. IDENTIFY PULL STRINGS AT EACH END.
- INSTALL 2" HIGHLY VISIBLE AND DETECTABLE TAPE 12" ABOVE ALL UNDERGROUND CONDUITS AND CONDUCTORS.
- CONDUITS SHALL BE INSTALLED IN SUCH A MANNER AS TO INSURE AGAINST COLLECTION OF TRAPPED CONDENSATION.

- PROVIDE CORE DRILLING AS NECESSARY FOR PENETRATIONS TO ALLOW FOR RACEWAYS AND CABLES TO BE ROUTED THROUGH THE BUILDING. DO NOT PENETRATE STRUCTURAL MEMBERS. SLEEVES AND/OR PENETRATIONS IN FIRE RATED CONSTRUCTION SHALL BE EFFECTIVELY SEALED WITH FIRE RATED MATERIAL WHICH SHALL MAINTAIN THE FIRE RATING OF THE WALL OR STRUCTURE. FIRE STOPS AT FLOOR PENETRATIONS SHALL BE INSTALLED TO PREVENT PASSAGE OF WATER, SMOKE, FIRE, AND FUMES. ALL MATERIAL SHALL BE UL APPROVED FOR THIS PURPOSE.

B. CONDUCTORS AND CABLE:

- ALL POWER WIRING SHALL BE COLOR CODED AS FOLLOWS:

DESCRIPTION	208/240/120 VOLT SYSTEMS
PHASE A	BLACK
PHASE B	RED
PHASE C	BLUE
NEUTRAL	WHITE
GROUNDING	GREEN

- SPLICES SHALL BE MADE ONLY AT OUTLETS, JUNCTION BOXES, OR ACCESSIBLE RACEWAY CONDULETS APPROVED FOR THIS PURPOSE.

- PULLING LUBRICANTS SHALL BE UL APPROVED. CONTRACTOR SHALL USE NYLON OR HEMP ROPE FOR PULLING CONDUCTOR OR CABLES INTO THE CONDUIT.

- CABLES SHALL BE NEATLY TRAINED, WITHOUT INTERLACING, AND BE OF SUFFICIENT LENGTH IN ALL BOXES AND EQUIPMENT TO ALLOW FOR A NEAT ARRANGEMENT. CABLES SHALL BE SECURED IN A MANNER TO AVOID TENSION ON CONDUCTORS AND/OR TERMINALS. CONDUCTORS SHALL BE PROTECTED FROM MECHANICAL INJURY AND MOISTURE. SHARP BENDS OVER CONDUIT BUSHINGS ARE PROHIBITED. DAMAGED CABLES SHALL BE REPLACED AT THE CONTRACTOR'S EXPENSE.

C. DISCONNECT SWITCHES:

- INSTALL DISCONNECT SWITCHES LEVEL AND PLUMB, AND CONNECT TO WIRING SYSTEM AND GROUNDING SYSTEM AS REQUIRED.

D. GROUNDING:

- ALL METALLIC PARTS OF ELECTRICAL EQUIPMENT WHICH DO NOT CARRY CURRENT SHALL BE GROUNDED IN ACCORDANCE WITH THE REQUIREMENTS OF THE BUILDING MANUFACTURER, AT&T GROUNDING AND BONDING STANDARDS TP-76416, TP-76300, AND THE NATIONAL ELECTRICAL CODE.

- PROVIDE ELECTRICAL GROUNDING AND BONDING SYSTEM WITH ASSEMBLY OF MATERIALS, INCLUDING GROUNDING ELECTRODES, BONDING JUMPERS, AND ADDITIONAL ACCESSORIES AS REQUIRED FOR A COMPLETE INSTALLATION.

- ALL GROUNDING CONDUCTORS SHALL PROVIDE A STRAIGHT DOWNWARD PATH TO GROUND. GROUNDING CONDUCTORS SHALL NOT BE LOOPED OR SHARPLY BENT. ROUTE GROUNDING CONNECTIONS AND CONDUCTORS TO GROUND IN THE SHORTEST AND STRAIGHTEST PATHS POSSIBLE TO MINIMIZE TRANSIENT VOLTAGE RISES.

- AT BUILDINGS AND/OR NEW TOWERS GREATER THAN 75 FEET IN HEIGHT AND WHERE THE MAIN GROUNDING CONDUCTORS ARE REQUIRED TO BE ROUTED TO GRADE, THE CONTRACTOR SHALL ROUTE TWO GROUNDING CONDUCTORS FROM THE ROOFTOP, TOWERS, AND WATER TOWER GROUND RING, TO THE EXISTING GROUNDING SYSTEM. THE GROUNDING CONDUCTORS SHALL NOT BE SMALLER THAN #2 AWG COPPER. ROOFTOP GROUND RING SHALL BE BONDED TO THE EXISTING GROUNDING SYSTEM, THE BUILDING STEEL COLUMNS, THE LIGHTNING PROTECTION SYSTEM, AND/OR THE BUILDING MAIN WATER LINE (FERROUS OR NONFERROUS METAL PIPING ONLY). SEE STANDARD 6.3.2.2.

- TIGHTEN GROUNDING AND BONDING CONNECTORS, INCLUDING SCREWS AND BOLTS, IN ACCORDANCE WITH MANUFACTURER'S PUBLISHED TORQUE TIGHTENING SPECIFICATIONS. WHERE MANUFACTURER'S TORQUING REQUIREMENTS ARE NOT AVAILABLE, TIGHTEN CONNECTIONS TO COMPLY WITH TIGHTENING TORQUE VALUES SPECIFIED IN UL TO ASSURE PERMANENT AND EFFECTIVE GROUNDING.

- CONTRACTOR SHALL VERIFY THE LOCATIONS OF GROUNDING TIE-IN POINTS TO THE EXISTING GROUNDING SYSTEM. ALL UNDERGROUND GROUNDING CONNECTIONS SHALL BE MADE BY THE EXOTHERMIC WELD PROCESS AND INSTALLED IN ACCORDANCE WITH THE MANUFACTURER'S INSTRUCTIONS.

- ALL GROUNDING CONNECTIONS SHALL BE INSPECTED FOR TIGHTNESS. EXOTHERMIC WELDED CONNECTIONS SHALL BE APPROVED BY THE INSPECTOR HAVING JURISDICTION PRIOR TO PERMANENT CONCEALMENT.

- APPLY CORROSION-RESISTANCE FINISH TO FIELD CONNECTIONS AND AREAS/COMPONENTS WHERE FACTORY APPLIED PROTECTIVE COATINGS HAVE BEEN DESTROYED.

- A SEPARATE, CONTINUOUS, INSULATED EQUIPMENT GROUNDING CONDUCTOR SHALL BE INSTALLED IN ALL FEEDER AND BRANCH CIRCUITS.

- BOND ALL INSULATED GROUNDING BUSHINGS WITH A BARE #6 AWG GROUNDING CONDUCTOR TO A GROUND BUS.

- DIRECT-BURIED GROUNDING CONDUCTORS SHALL BE INSTALLED AT A NOMINAL DEPTH OF 30" MINIMUM BELOW GRADE, OR 6" MINIMUM BELOW THE FROST LINE, USING THE GREATER OF THE TWO DISTANCES.

- ALL GROUNDING CONDUCTORS EMBEDDED IN OR PENETRATING CONCRETE SHALL BE INSTALLED IN SCHEDULE 40 PVC CONDUIT.

- THE INSTALLATION OF A CHEMICAL ELECTROLYTIC GROUNDING SYSTEM IN STRICT ACCORDANCE WITH MANUFACTURER'S INSTRUCTIONS. REMOVE SEALING TAPE FROM LEACHING AND BREATHER HOLES. INSTALL THE PROTECTIVE BOX FLUSH WITH GRADE.

- IF COAX ON THE ICE BRIDGE IS MORE THAN 6 FEET FROM THE GROUND BAR AT THE BASE OF THE TOWER, INSTALL A SECOND GROUND BAR AT THE END OF THE ICE BRIDGE TO GROUND THE COAX CABLE GROUNDING KITS AND IN-LINE ARRESTORS.

- CONTRACTOR SHALL REPAIR, AND/OR REPLACE, EXISTING GROUNDING SYSTEM COMPONENTS DAMAGED DURING CONSTRUCTION AT THE CONTRACTOR'S EXPENSE.

3.5 ACCEPTANCE TESTING:

- CERTIFIED PERSONNEL USING CERTIFIED EQUIPMENT SHALL PERFORM REQUIRED TESTS AND SUBMIT WRITTEN TEST REPORTS UPON COMPLETION.

- WHEN MATERIAL AND/OR WORKMANSHIP IS FOUND TO BE NON-COMPLIANT WITH THE SPECIFIED REQUIREMENTS, THE NON-COMPLIANT ITEMS/ELEMENTS SHALL BE PROMPTLY REMOVED FROM THE PROJECT SITE AND REPLACED WITH ITEMS COMPLYING WITH THE SPECIFIED REQUIREMENTS.

C. TEST PROCEDURES:

- ALL FEEDERS SHALL HAVE INSULATION TESTED AFTER INSTALLATION, BEFORE CONNECTION TO DEVICES. THE CONDUCTORS SHALL TEST FREE FROM SHORT CIRCUITS AND GROUNDS. TESTING SHALL BE FOR ONE MINUTE USING 1,000VOLT DC.

- PRIOR TO ENERGIZING CIRCUITRY, TEST WIRING DEVICES FOR ELECTRICAL CONTINUITY AND PROPER POLARITY CONNECTIONS.

- MEASURE AND RECORD VOLTAGES BETWEEN PHASES AND BETWEEN PHASE CONDUCTORS AND NEUTRALS. SUBMIT A REPORT OF MAXIMUM AND MINIMUM VOLTAGES TO APPROPRIATE PARTS.

- PERFORM GROUNDING TEST TO MEASURE RESISTANCE OF GROUNDING SYSTEM USING THE IEEE STANDARD 3-POINT "FALL-OF-POTENTIAL" METHOD. PROVIDE PLOTTED TEST VALUES AND LOCATION SKETCH. NOTIFY THE ENGINEER IMMEDIATELY IF MEASURED VALUE IS OVER 5 OHMS.



188 INVERNESS DRIVE WEST
SUITE 400
ENGLEWOOD, CO 80112



4600 SOUTH SYRACUSE STREET
SUITE 800
DENVER, COLORADO 80237

PROJECT/PHASE NO: 129551/1183

DRAWN BY: VDP

CHECKED BY: JMH

RFDS:

REV	DATE	DESCRIPTION
0	05/23/24	ISSUED FOR CONSTRUCTION



IT IS A VIOLATION OF LAW FOR ANY PERSON, UNLESS THEY ARE ACTING UNDER THE DIRECTION OF A LICENSED PROFESSIONAL ENGINEER, TO ALTER THIS DOCUMENT.

SCHRIEVER AIR FORCE BASE
COLO2065
15642 HIGHWAY 94
COLORADO SPRINGS, CO 80930
CELL SITE RF MODIFICATIONS

SHEET TITLE
GENERAL ELECTRICAL
NOTES

SHEET NUMBER

GN-6

BATTERY SAFETY NOTES

PART 1 – GENERAL

1.1 LAWS, REGULATIONS, ORDINANCES, STATUTES, AND CODES:

A. ALL WORK SHALL BE INSTALLED IN ACCORDANCE WITH THE LATEST EDITION OF THE NATIONAL ELECTRICAL CODE, AND ALL APPLICABLE LOCAL LAWS, REGULATIONS, ORDINANCES, STATUTES, AND CODES.

1.2 REFERENCES:

A. THE PUBLICATIONS LISTED BELOW ARE PART OF THIS SPECIFICATION. EACH PUBLICATION SHALL BE THE LATEST REVISION AND ADDENDUM IN EFFECT ON THE DATE OF CONSTRUCTION. EXCEPT AS MODIFIED BY THE REQUIREMENT SPECIFIED HEREIN OR THE DETAILS OF THE DRAWINGS, WORK INCLUDED IN THIS SPECIFICATION SHALL CONFORM TO THE APPLICABLE PROVISION OF THESE PUBLICATIONS.

1. ANSI/IEEE (AMERICAN NATIONAL STANDARDS INSTITUTE)
2. ASTM (AMERICAN SOCIETY FOR TESTING AND MATERIALS)
3. ICE (INSULATED CABLE ENGINEERS ASSOCIATION)
4. NEMA (NATIONAL ELECTRICAL MANUFACTURER’S ASSOCIATION)
5. NFPA (NATIONAL FIRE PROTECTION ASSOCIATION)
6. OSHA (OCCUPATIONAL SAFETY AND HEALTH ADMINISTRATION)
7. UL (UNDERWRITERS LABORATORIES. INC.)
8. AT&T GROUNDING AND BONDING STANDARDS TP-76416
9. IFC (INTERNATIONAL FIRE CODE)
10. IMC (INTERNATIONAL MECHANICAL CODE)

1.3 SCOPE OF WORK:

- A. WORK UNDER THIS SECTION SHALL CONSIST OF FURNISHING ALL LABOR, MATERIAL, AND ASSOCIATED SERVICES REQUIRED TO COMPLETE REQUIRED CONSTRUCTION AND TO ACHIEVE OPERATIONAL STATUS.
- B. ALL ELECTRICAL EQUIPMENT UNDER THIS CONTRACT SHALL BE PROPERLY TESTED, ADJUSTED, AND ALIGNED BY THE CONTRACTOR.
- C. THE BATTERY & POWER SYSTEMS ARE EQUIPPED WITH TEMPERATURE SENSORS & ARE PRE-PROGRAMMED WITH THE BATTERY VOLTAGE TEMPERATURE COMPENSATION & BATTERY THERMAL RUNAWAY MANAGEMENT FEATURES ENABLED PER AT&T MOBILITY’S SPECIFICATIONS.
- D. DOOR(S) INTO EQUIPMENT ROOM MUST BE PROVIDED WITH APPROVED SIGNS AND APPROPRIATELY MARKED NFPA 704 PLACARD THAT STATE THE FOLLOWING:
- EQUIPMENT ROOM CONTAINS ENERGIZED BATTERY SYSTEMS
 - EQUIPMENT ROOM CONTAINS ENERGIZED ELECTRICAL CIRCUITS
 - BATTERY ELECTROLYTE SOLUTIONS WHERE PRESENT, ARE CORROSIVE LIQUIDS
- E. CABINETS SHALL HAVE EXTERIOR LABELS THAT IDENTIFY THE MANUFACTURER AND MODEL NUMBER OF THE SYSTEM AND ELECTRICAL RATING (VOLTAGE AND CURRENT) OF THE CONTAINED BATTERY SYSTEM. SIGNS WITHIN THE CABINET SHALL INDICATE RELEVANT ELECTRICAL, CHEMICAL, AND FIRE HAZARDS.

PART 2 – PRODUCTS

2.1 GENERAL:

- A. ALL MATERIALS AND EQUIPMENT SHALL BE NEW, UL LISTED, AND FREE FROM DEFECTS.
- B. ALL EQUIPMENT SHALL BEAR THE UNDERWRITERS LABORATORIES (UL) LABEL OF APPROVAL AND SHALL CONFORM TO REQUIREMENT OF THE NATIONAL ELECTRICAL CODE.
- C. ALL ITEMS, MATERIALS, AND EQUIPMENT SHALL BE ACCEPTABLE TO THE JURISDICTIONAL AUTHORITY AND SUITABLE FOR THE USE INTENDED.
- D. ALL OVERCURRENT DEVICES SHALL HAVE AN INTERRUPTING CURRENT RATING OF GREATER THAN THE SHORT CIRCUIT CURRENT TO WHICH THEY ARE SUBJECTED (10,000 AIC MINIMUM). CONTRACTOR SHALL VERIFY THAT AVAILABLE SHORT CIRCUIT CURRENT DOES NOT EXCEED THE RATING OF ELECTRICAL EQUIPMENT IN ACCORDANCE WITH ARTICLE 110.24 NEC OR THE MOST CURRENT ADOPTED CODE PER THE GOVERNING JURISDICTION.

2.2 MATERIALS AND EQUIPMENT:

- A. BATTERIES:
1. BATTERIES SHALL BE VRLA (VALVE REGULATED LEAD-ACID) BATTERIES COMPLYING WITH IFC 608.
 2. CONTRACTOR TO INSTALL ENERSYS POWERSAFE SBS BATTERIES OR ENGINEERING APPROVED EQUIVALENT.
- B. POWER PLANTS/CABINETS:
1. POWER PLANTS/CABINETS SHALL BE EQUIPPED WITH TEMPERATURE SENSORS AND ARE PRE-PROGRAMMED WITH THE BATTERY VOLTAGE TEMPERATURE COMPENSATION & BATTERY THERMAL RUNAWAY MANAGEMENT FEATURES ENABLED PER AT&T MOBILITY’S SPECIFICATIONS.
 2. CONTRACTOR TO INSTALL VERTIV POWER PLANTS/CABINETS PER AT&T SPECIFICATIONS; AND COMPLYING WITH IFC 608 AND IMC 502.4.
- C. BATTERY RACKS/CABINETS:
1. BATTERY RACKS/CABINETS SHALL BE EQUIPPED WITH TEMPERATURE SENSORS PER AT&T MOBILITY’S SPECIFICATIONS.
 2. CONTRACTOR TO INSTALL VERTIV BATTERY RACKS/CABINETS PER AT&T SPECIFICATIONS; AND COMPLYING WITH IFC 608 AND IMC 502.4.

IFC 608 CODE ANALYSIS & COMPLIANCE INFORMATION

- SAFETY CAPS (IFC 608.2.2) – EXISTING POWERSAFE SBS 190F VRLA BATTERIES HAVE SELF-RESEALING SAFETY VENTS WITH FLASH ARRESTORS WHICH SATISFY THIS CODE REQUIREMENT.
- THERMAL RUNAWAY MANAGEMENT (IFC 608.3) – POWER PLANTS/CABINETS SHALL BE EQUIPPED WITH TEMPERATURE SENSORS AND ARE PRE-PROGRAMMED WITH THE BATTERY VOLTAGE TEMPERATURE COMPENSATION AND BATTERY THERMAL RUNAWAY MANAGEMENT FEATURES ENABLED. BATTERY RACKS/CABINETS SHALL BE EQUIPPED WITH TEMPERATURE SENSORS.
- SPILL CONTROL (IFC 608.5) – NOT REQUIRED FOR VRLA BATTERIES PER EXCEPTION.
- NEUTRALIZATION (IFC 608.5.2) – CONTRACTOR TO ENSURE THAT BATTERY SPILL CLEAN-UP KIT IS PROVIDED ON SITE, CAPABLE OF NEUTRALIZING A MINIMUM OF X GALLONS OF SPILLED ELECTROLYTE (WHERE X=3% OF THE TOTAL VOLUME CALCULATED IN THE ELECTROLYTE CALCULATIONS).
- VENTILATION (IFC 608.5.2) – EXHAUST FAN WILL LIMIT CONCENTRATION TO 1% VIA HYDROGEN SENSOR AND MAKEUP AIR INTAKE. HYDROGEN SENSOR TO ACTIVATE DAMPER/FAN AT 1% CONCENTRATION AND SIGNAL AN ALARM TO A MONITORED FACILITY AT 2% CONCENTRATION.
- SIGNAGE (IFC 608.7) – AT&T WILL PLACE UV-RESISTANT SIGNS ON THE EXTERIOR OF THE SHELTER DOOR CAPABLE OF WITHSTANDING THE HARSH SUNLIGHT OUTDOORS PER IFC 608.7.1. IN THE CASE THAT BATTERIES ARE INSTALLED IN A CABINET, CONTRACTOR SHALL PLACE SIGNAGE ON THE CABINET DOOR PER IFC 608.7.2.
- SEISMIC PROTECTION (IFC 608.8) – CONTRACTOR WILL ENSURE THAT THE NEW BATTERY RACKS HAVE THE REQUIRED BRACING TO MEET SEISMIC ZONE 4.
- SMOKE DETECTION (IFC 608.9) – SMOKE DETECTORS TO BE TIED INTO EXISTING ALARMING SYSTEMS. AT&T TO VERIFY OPERATION OF SMOKE DETECTOR/ALARM.

IMC 502.4 CODE ANALYSIS & COMPLIANCE INFORMATION

- (IMC 502.4) STATIONARY STORAGE BATTERY SYSTEMS. STATIONARY STORAGE BATTERY SYSTEMS, AS REGULATED BY SECTION 608 OF THE INTERNATIONAL FIRE CODE, SHALL BE PROVIDED WITH VENTILATION IN ACCORDANCE WITH IMC 502.4 AND SECTION 502.4.1 OR 502.4.2. EXCEPTION: LITHIUM-ION AND LITHIUM METAL POLYMER BATTERIES SHALL NOT REQUIRE ADDITIONAL VENTILATION BEYOND THAT WHICH WOULD NORMALLY BE REQUIRED FOR HUMAN OCCUPANCY OF THE SPACE.
- (SECTION 502.4.1) HYDROGEN LIMIT IN ROOMS. FOR FLOODED LEAD ACID, FLOODED NICKEL CADMIUM AND VRLA BATTERIES, THE VENTILATION SYSTEM SHALL BE DESIGNED TO LIMIT THE MAXIMUM CONCENTRATION OF HYDROGEN TO 1.0 PERCENT OF THE TOTAL VOLUME OF THE ROOM.
- (SECTION 502.4.2) VENTILATION RATE IN ROOMS. CONTINUOUS VENTILATION SHALL BE PROVIDED AT A RATE OF NOT LESS THAN 1 CUBIC FOOT PER MINUTE PER SQUARE FOOT OF FLOOR AREA OF THE ROOM.
- (SECTION 502.4.3) SUPERVISION. MECHANICAL VENTILATION SYSTEMS REQUIRED BY SECTION 502.4 SHALL BE SUPERVISED BY AN APPROVED CENTRAL, PROPRIETARY OR REMOTE STATION SERVICE OR SHALL INITIATE AN AUDIBLE AND VISUAL SIGNAL AT A CONSTANTLY ATTENDED ON-SITE LOCATION.



188 INVERNESS DRIVE WEST
SUITE 400
ENGLEWOOD, CO 80112



BLACK & VEATCH

4600 SOUTH SYRACUSE STREET
SUITE 800
DENVER, COLORADO 80237

PROJECT/PHASE NO: 129551/1183

DRAWN BY: VDP

CHECKED BY: JMH

RFDS: _____

REV	DATE	DESCRIPTION
0	05/23/24	ISSUED FOR CONSTRUCTION



IT IS A VIOLATION OF LAW FOR ANY PERSON, UNLESS THEY ARE ACTING UNDER THE DIRECTION OF A LICENSED PROFESSIONAL ENGINEER, TO ALTER THIS DOCUMENT.

SCHRIEVER AIR FORCE BASE
COL02065
15642 HIGHWAY 94
COLORADO SPRINGS, CO 80930
CELL SITE RF MODIFICATIONS

SHEET TITLE
BATTERY SAFETY NOTES

SHEET NUMBER

GN-7

MOUNT REINFORCEMENT DRAWINGS

SITE INFORMATION

SITE NAME: Schreiver AFB

SITE NUMBER: 78733 (COL02065)

SITE ADDRESS:

15620 Hwy 94

Colorado Springs, CO 80929, El Paso County

PROJECT CONTACTS

1) TOWER OWNER

SBA Communications
8051 Congress Ave
Boca Raton, FL 33487

2) CONSTRUCTION MANAGER

Unknown

3) ENGINEER OF RECORD (EOR)

Shawn D. Cook, P.E.
4795308627
Shawn.Cook@atowereng.com
4710 Portofino Dr.
Longmont, CO 80503

TOWER INFORMATION

TOWER MANUFACTURER: Unknown
TOWER HEIGHT/TYPE: 192 FT
TOWER LOCATION: LAT: 38.8398
TOWER LOCATION: LONG: -104.5371
ATE ID: #: 019420240042

CODE COMPLIANCE

THIS REINFORCEMENT DESIGN IS BASED ON THE REQUIREMENTS OF TIA STRUCTURAL STANDARDS FOR STEEL ANTENNA TOWERS AND ANTENNA SUPPORTING STRUCTURES USING:

TIA CODE: TIA-222-H

BASIC WIND SPEED: 107

ICE THICKNESS: 0.00

WIND SPEED WITH ICE: 50

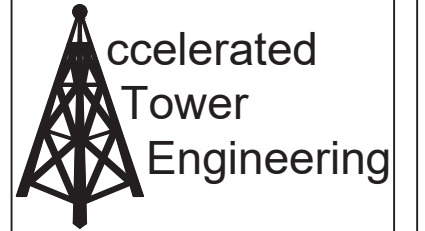
SERVICE LOAD WIND SPEED: 60

EXPOSURE CATEGORY: C

DRAWINGS INCLUDED

SHEET NUMBER	DESCRIPTION
S-1	TITLE PAGE
S-2	MODIFICATION INSPECTION CHECKLIST
S-3	NOTES
S-4	HANDRAIL MODIFICATIONS

General Notes



4710 Portofino Drive
Longmont, CO 80503
(479) 530-8627
www.atowereng.com

Report Prepared For:



BLACK & VEATCH

4600 S. Syracuse Street, Suite 300
Denver, CO 80237
(303) 264-0512

ENGINEER OF RECORD SEAL



No.	Revision/Issue	Date
0	Construction	03/19/24

Project Name and Address
USID#78733 (COL02065)
Schreiver AFB
15620 Hwy 94
Colorado Springs, CO 80929
El Paso County

Sheet Title
TITLE PAGE

Project 019420240042	Sheet S-1
Date 03/19/2024	
Drawn By: BU	Checked By: SC

MODIFICATION INSPECTION NOTES

GENERAL

THE MODIFICATION INSPECTION (MI) IS A VISUAL INSPECTION OF TOWER MODIFICATIONS AND A REVIEW OF CONSTRUCTION INSPECTIONS AND OTHER REPORTS TO ENSURE THE INSTALLATION WAS CONSTRUCTED IN ACCORDANCE WITH THE CONTRACT DOCUMENTS, NAMELY THE MODIFICATION DRAWINGS, AS DESIGNED BY THE ENGINEER OF RECORD (EOR).

THE MI IS TO CONFIRM INSTALLATION CONFIGURATION AND WORKMANSHIP ONLY AND IS NOT A REVIEW OF THE MODIFICATION DESIGN ITSELF, NOR DOES THE MI INSPECTOR TAKE OWNERSHIP OF THE MODIFICATION DESIGN. OWNERSHIP OF THE STRUCTURAL MODIFICATION DESIGN EFFECTIVENESS AND INTEGRITY RESIDES WITH THE EOR AT ALL TIMES.

TO ENSURE THAT THE REQUIREMENTS OF THE MI ARE MET, IT IS VITAL THAT THE GENERAL CONTRACTOR (GC) AND THE MI INSPECTOR BEGIN COMMUNICATING AND COORDINATING AS SOON AS A PURCHASE ORDER (PO) IS RECEIVED. IT IS EXPECTED THAT EACH PARTY WILL BE PROACTIVE IN REACHING OUT TO THE OTHER PARTY. IF CONTACT INFORMATION IS NOT KNOWN, CONTACT THE EOR OR CONSTRUCTION MANAGER.

MI INSPECTOR

THE MI INSPECTOR IS REQUIRED TO CONTACT THE GC AS SOON AS RECEIVING A PO FOR THE MI TO, AT A MINIMUM:

- REVIEW THE REQUIREMENTS OF THE MI CHECKLIST
- WORK WITH THE GC TO DEVELOP A SCHEDULE TO CONDUCT ON-SITE INSPECTIONS, INCLUDING FOUNDATION INSPECTIONS

THE MI INSPECTOR IS RESPONSIBLE FOR COLLECTING ALL GC INSPECTION AND TEST REPORTS, REVIEWING THE DOCUMENTS FOR ADHERENCE TO THE CONTRACT DOCUMENTS, CONDUCTING THE IN-FIELD INSPECTIONS, AND SUBMITTING THE MI REPORT TO THE EOR.

GENERAL CONTRACTOR

THE GC IS REQUIRED TO CONTACT THE MI INSPECTOR AS SOON AS RECEIVING A PO FOR THE MODIFICATION INSTALLATION OR TURNKEY PROJECT TO, AT A MINIMUM:

- REVIEW THE REQUIREMENTS OF THE MI CHECKLIST
- WORK WITH THE MI INSPECTOR TO DEVELOP A SCHEDULE TO CONDUCT ON-SITE MI INSPECTIONS, INCLUDING FOUNDATION INSPECTIONS
- BETTER UNDERSTAND ALL INSPECTION AND TESTING REQUIREMENTS

THE GC SHALL PERFORM AND RECORD THE TEST AND INSPECTION RESULTS IN ACCORDANCE WITH THE REQUIREMENTS OF THE MI CHECKLIST.

RECOMMENDATIONS

THE FOLLOWING RECOMMENDATIONS AND SUGGESTIONS ARE OFFERED TO ENHANCE THE EFFICIENCY AND EFFECTIVENESS OF DELIVERING AN MI REPORT:

- IT IS SUGGESTED THAT THE GC PROVIDE A MINIMUM OF 5 BUSINESS DAYS NOTICE, PREFERABLY 10, TO THE MI INSPECTOR AS TO WHEN THE SITE WILL BE READY FOR THE MI TO BE CONDUCTED.
- THE GC AND MI INSPECTOR COORDINATE CLOSELY THROUGHOUT THE ENTIRE PROJECT.
- WHEN POSSIBLE, IT IS PREFERRED TO HAVE THE GC AND MI INSPECTOR ON-SITE SIMULTANEOUSLY FOR ANY GUY WIRE TENSIONING OR RE-TENSIONING OPERATIONS.
- IT MAY BE BENEFICIAL TO INSTALL ALL TOWER MODIFICATIONS PRIOR TO CONDUCTING THE FOUNDATION INSPECTIONS TO ALLOW THE FOUNDATION AND MI INSPECTION(S) TO COMMENCE WITH ONE SITE VISIT.
- WHEN POSSIBLE, IT IS PREFERRED TO HAVE THE GC AND MI INSPECTOR ON-SITE DURING THE MI TO HAVE ANY DEFICIENCIES CORRECTED DURING THE INITIAL MI. THEREFORE, THE GC MAY CHOOSE TO COORDINATE THE MI CAREFULLY TO ENSURE ALL CONSTRUCTION FACILITIES ARE AT THEIR DISPOSAL WHEN THE MI INSPECTOR IS ON SITE.

CANCELLATION OR DELAYS IN SCHEDULED MI

IF THE GC AND MI INSPECTOR AGREE TO A DATE ON WHICH THE MI WILL BE CONDUCTED, AND EITHER PARTY CANCELS OR DELAYS, THE EOR SHALL NOT BE RESPONSIBLE FOR ANY COSTS, FEES, LOSS OF DEPOSITS AND/OR OTHER PENALTIES RELATED TO THE CANCELLATION OR DELAY INCURRED BY EITHER PARTY, NOR FOR ANY TIME (E.G. TRAVEL AND LODGING, COSTS OF KEEPING EQUIPMENT ON-SITE, ETC.). IF THE EOR CONTRACTS DIRECTLY FOR A THIRD PARTY MI, EXCEPTIONS MAY BE MADE IN THE EVENT THAT THE DELAY/CANCELLATION IS CAUSED BY WEATHER OR OTHER CONDITIONS THAT MAY COMPROMISE THE SAFETY OF THE PARTIES INVOLVED.

CORRECTION OF FAILING MI'S

IF THE MODIFICATION INSTALLATION WOULD FAIL THE MI ("FAILED MI"), THE GC SHALL WORK WITH THE EOR TO COORDINATE A REMEDIATION PLAN IN ONE OF TWO WAYS:

- CORRECT FAILING ISSUES TO COMPLY WITH THE SPECIFICATIONS CONTAINED IN THE ORIGINAL CONTRACT DOCUMENTS AND COORDINATE A SUPPLEMENT MI.
- OR, RE-ANALYZE THE MODIFICATION/REINFORCEMENT USING THE AS-BUILT CONDITION

REQUIRED PHOTOS

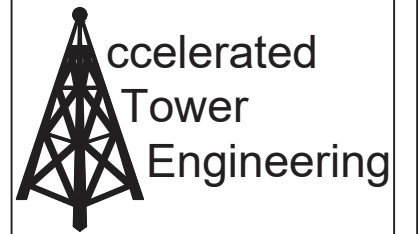
BETWEEN THE GC AND THE MI INSPECTOR THE FOLLOWING PHOTOGRAPHS, AT A MINIMUM, ARE TO BE TAKEN AND INCLUDED IN THE MI REPORT:

- PRE-CONSTRUCTION GENERAL SITE CONDITION
- PHOTOGRAPHS DURING THE REINFORCEMENT MODIFICATION CONSTRUCTION/ERECTION AND INSPECTION
 - RAW MATERIALS
 - PHOTOS OF ALL CRITICAL DETAILS
 - FOUNDATION MODIFICATIONS
 - WELD PREPARATION
 - BOLT INSTALLATION
 - FINAL INSTALLED CONDITION
 - SURFACE COATING REPAIR
- POST CONSTRUCTION PHOTOGRAPHS
 - FINAL INFIELD CONDITION

PHOTOS OF ELEVATED MODIFICATIONS TAKEN ONLY FROM THE GROUND SHALL BE CONSIDERED INADEQUATE.

MI CHECKLIST	
CONSTRUCTION/INSTALLATION INSPECTIONS AND TESTING REQUIRED (COMPLETED BY EOR)	REPORT ITEM
PRE-CONSTRUCTION	
X	MI CHECKLIST DRAWING
NA	EOR APPROVED SHOP DRAWINGS
NA	FABRICATION INSPECTION
NA	FABRICATOR CERTIFIED WELD INSPECTION
X	MATERIAL TEST REPORT (MTR)
NA	FABRICATOR NDE INSPECTION
NA	NDE REPORT OF MONOPOLE BASE PLATE
X	PACKING SLIPS
ADDITIONAL TESTING AND INSPECTIONS:	
CONSTRUCTION	
X	CONSTRUCTION INSPECTIONS
NA	FOUNDATION INSPECTIONS
NA	CONCRETE COMP. STRENGTH AND SLUMP TESTS
NA	POST INSTALLED ANCHOR ROD VERIFICATION
NA	BASE PLATE GROUT VERIFICATION
NA	CONTRACTOR'S CERTIFIED WELD INSPECTION AND NDE REPORTS
NA	EARTHWORK: LIFT AND DENSITY
X	ON SITE COLD GALVANIZING VERIFICATION
NA	GUY WIRE TENSION REPORT
X	GC AS-BUILT DOCUMENTS
ADDITIONAL TESTING AND INSPECTIONS:	
POST-CONSTRUCTION	
X	MI INSPECTOR REDLINE OR RECORD DRAWING(S)
NA	POST INSTALLED ANCHOR ROD PULL-OUT TESTING
X	PHOTOGRAPHS
ADDITIONAL TESTING AND INSPECTIONS:	

General Notes



4710 Portofino Drive
Longmont, CO 80503
(479) 530-8627
www.atowereng.com

Report Prepared For:



BLACK & VEATCH

4600 S. Syracuse Street, Suite 300
Denver, CO 80237
(303) 264-0512

ENGINEER OF RECORD SEAL



0	Construction	03/19/24
No.	Revision/Issue	Date

Project Name and Address
USID#78733 (COL02065)
Schreiber AFB
15620 Hwy 94
Colorado Springs, CO 80929
El Paso County

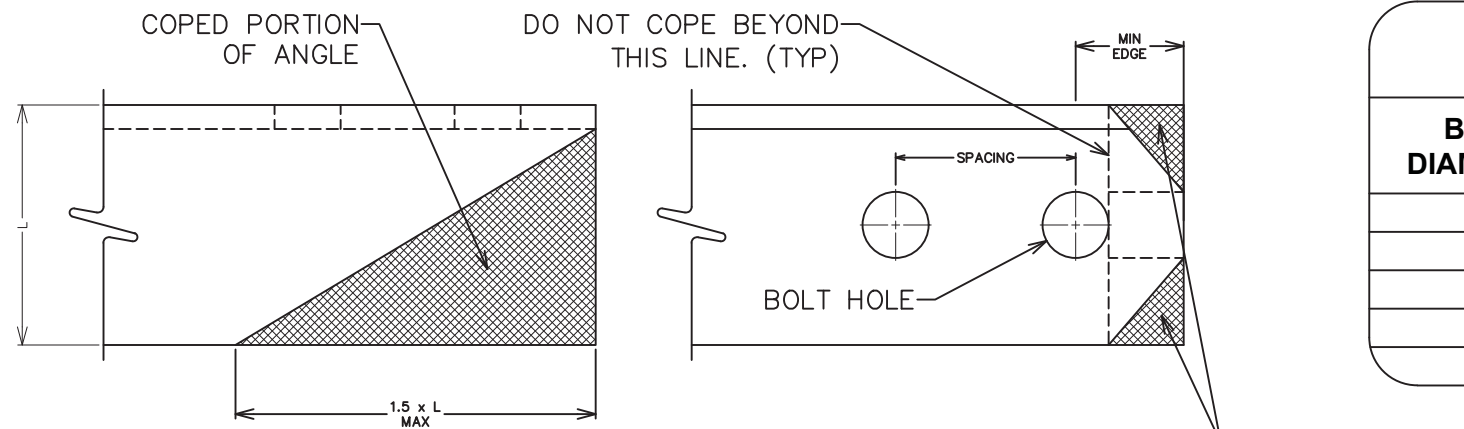
Sheet Title
**MODIFICATION
INSPECTION
CHECKLIST**

Project 019420240042	Sheet
Date 03/19/2024	S-2
Drawn By: BU	
Checked By: SC	

NOTE: X DENOTES A DOCUMENT REQUIRED FOR THE MI REPORT
NA DENOTES A DOCUMENT THAT IS NOT REQUIRED FOR THE MI REPORT

GENERAL NOTES

- ALL WORK PRESENTED ON THESE DRAWINGS MUST BE COMPLETED BY THE CONTRACTOR UNLESS NOTED OTHERWISE. THE CONTRACTOR MUST BE EXPERIENCED IN THE PERFORMANCE OF WORK SIMILAR TO THAT DESCRIBED HEREIN. BY ACCEPTANCE OF THIS ASSIGNMENT, THE CONTRACTOR IS ATTESTING THAT HE DOES HAVE SUFFICIENT EXPERIENCE AND ABILITY, THAT HE IS KNOWLEDGEABLE OF THE WORK TO BE PERFORMED, THAT HE IS PROPERLY LICENSED, AND THAT HE IS PROPERLY REGISTERED TO DO THIS WORK IN THE STATE AND/OR COUNTY IN WHICH IT IS TO BE PERFORMED.
- THE GENERAL NOTES AND TYPICAL DETAILS ARE APPLICABLE TO ALL PARTS OF THE STRUCTURE AND SHALL BE READ IN CONJUNCTION WITH THE STRUCTURAL DRAWINGS AND PROJECT SPECIFICATIONS.
- THE CONTRACTOR IS RESPONSIBLE FOR OBTAINING APPROVALS FROM ALL AUTHORITIES HAVING JURISDICTION FOR THIS PROJECT AND SHALL NOTIFY THE APPLICABLE JURISDICTIONAL (STATE, COUNTY, OR CITY) ENGINEER 24 HOURS PRIOR TO THE BEGINNING OF CONSTRUCTION.
- THE CONTRACTOR SHALL BE RESPONSIBLE FOR ABIDING BY ALL CONDITIONS AND REQUIREMENTS OF THE PERMITS.
- ERECT GUARDS AND BARRIERS PER APPLICABLE LABOR AND CONSTRUCTION SAFETY REGULATIONS.
- THE CONTRACTOR SHALL FIELD VERIFY ALL EXISTING CONDITIONS, POSSIBLE INTERFERENCES, AND DIMENSIONS BEFORE PROCEEDING WITH THE WORK. REPORT ANY AND ALL DISCREPANCIES TO THE ENGINEER OF RECORD (EOR) AND FIELD PERSONNEL IMMEDIATELY. ANY AND ALL FIELD CHANGES SHALL BE APPROVED AND DOCUMENTED BY THE EOR PRIOR TO FIELD IMPLEMENTATION.
- ALL MATERIALS AND WORKMANSHIP SHALL BE WARRANTED FOR TWO (2) YEARS FROM THE DATE OF COMPLETED CONSTRUCTION.
- USE ONLY THE LATEST ISSUES OF ANY APPLICABLE CODES, STANDARDS, OR REGULATIONS MENTIONED IN THE FOLLOWING NOTES AND SPECIFICATIONS, UNO.
- ALL WORKMANSHIP SHALL BE IN ACCORDANCE WITH ANSI, ASTM, ACI, TIA, AND AISC STANDARDS AS REFERENCED IN THE APPLICABLE CODE.
- STRUCTURAL ELEMENTS SHOWN ON THESE DRAWINGS ARE DESIGNED IN ACCORDANCE WITH APPLICABLE BUILDING CODES/STANDARDS. ALL CONSTRUCTION, EXCEPT WHERE NOTED OTHERWISE, SHALL COMPLY WITH THOSE CODES/STANDARDS.
- ALL MATERIALS AND EQUIPMENT FURNISHED SHALL BE NEW AND OF GOOD QUALITY, FREE FROM FAULTS AND DEFECTS, AND IN CONFORMANCE WITH THE DRAWINGS. ANY AND ALL SUBSTITUTIONS MUST BE DULY APPROVED AND AUTHORIZED IN WRITING BY THE OWNER AND ENGINEER OF RECORD PRIOR TO FABRICATION AND INSTALLATION. THE CONTRACTOR SHALL FURNISH SATISFACTORY EVIDENCE AS TO THE KIND AND QUALITY OF THE MATERIALS AND EQUIPMENT BEING SUBSTITUTED.
- ALL MANUFACTURER'S HARDWARE ASSEMBLY INSTRUCTIONS SHALL BE FOLLOWED EXACTLY AND SHALL SUPERSEDE ANY CONFLICTING NOTES ENCLOSED HEREIN.
- THE CONTRACTOR SHALL BE RESPONSIBLE FOR INITIATING, MAINTAINING, AND SUPERVISING ALL SAFETY PRECAUTIONS AND PROGRAMS IN CONNECTION WITH THE WORK. THE CONTRACTOR IS ALSO RESPONSIBLE FOR ENSURING THAT ALL CONSTRUCTION PROCEDURES MEET THE REQUIREMENTS OF OSHA, THE OWNER, AND ALL OTHER APPLICABLE LOCAL, STATE, AND FEDERAL SAFETY REGULATIONS.
- ACCESS TO THE PROPOSED WORK SITE MAY BE RESTRICTED. THE CONTRACTOR SHALL COORDINATE INTENDED CONSTRUCTION ACTIVITY, INCLUDING WORK SCHEDULE AND MATERIAL ACCESS, WITH THE RESIDENT LEASING AGENT.
- IT SHALL BE THE RESPONSIBILITY OF THE CONTRACTOR TO SAFEGUARD ALL EXISTING STRUCTURES OR BURIED SERVICES AFFECTED BY THIS CONSTRUCTION. CONTRACTOR IS ALSO RESPONSIBLE FOR TEMPORARILY RELOCATING ANY LINES OR STRUTS AS NECESSARY TO COMPLETE THE REQUIRED WORK.
- STRUCTURAL DESIGN IS FOR THE COMPLETE CONDITION ONLY. THE CONTRACTOR MUST BE COGNIZANT THAT THE REMOVAL OF ANY STRUCTURAL COMPONENT OF AN EXISTING TOWER HAS THE POTENTIAL TO CAUSE THE PARTIAL OR COMPLETE COLLAPSE OF THE STRUCTURE. ALL NECESSARY PRECAUTIONS MUST BE TAKEN TO ENSURE STRUCTURAL INTEGRITY, INCLUDING, BUT NOT LIMITED TO, ENGINEERING ASSESSMENT OF CONSTRUCTION STRESSES WITH INSTALLATION MAXIMUM WIND SPEED AND/OR TEMPORARY BRACING AND SHORING.
- DO NOT SCALE DRAWINGS.
- FOR THIS ANALYSIS AND MODIFICATION, THE TOWER HAS BEEN ASSUMED TO BE IN GOOD CONDITION WITHOUT ANY DEFECTS. IF THE CONTRACTOR DISCOVERS ANY INDICATION OF AN EXISTING STRUCTURAL DEFECT, CONTACT THE ENGINEER OF RECORD IMMEDIATELY.
- MODIFICATION WORK SHALL BE COMPLETED IN CALM WIND CONDITIONS / OR APPROPRIATE WIND SPEED FOR THE TYPE OF MODIFICATION WORK TO BE INSTALLED.
- THE CLIMBING FACILITIES, SAFETY CLIMB AND ALL PARTS THEREOF SHALL NOT BE IMPEDED, MODIFIED OR ALTERED WITHOUT THE EXPRESS APPROVAL OF THE ENGINEER OF RECORD.



ANGLE COPING DETAIL

STRUCTURAL STEEL NOTES

- DESIGN, FABRICATION, ERECTION, ALTERATION AND MAINTENANCE SHALL CONFORM TO THE FOLLOWING, UNLESS NOTED OTHERWISE (UNO).
 - TIA-222: STRUCTURAL STANDARD FOR ANTENNA SUPPORTING STRUCTURES AND ANTENNAS
 - TIA-1019-A: INSTALLATION, ALTERATION, AND MAINTENANCE OF ANTENNA SUPPORTING STRUCTURES AND ANTENNAS
 - AISC: MANUAL OF STEEL CONSTRUCTION
- ALL STRUCTURAL ELEMENTS SHALL CONFORM TO THE FOLLOWING REQUIREMENTS, UNO.
 - STRUCTURAL STEEL, ASTM A36 (FY = 36KSI).
 - ALL BOLTS, ASTM A325 TYPE 1 GALVANIZED HIGH STRENGTH BOLTS.
 - ALL NUTS, ASTM A563 CARBON AND ALLOY STEEL NUTS.
 - ALL WASHERS, ASTM F436 HARDENED STEEL WASHERS.
 - ALL U-BOLTS, ASTM A325
- HOLES SHALL NOT BE FLAME CUT THRU STEEL UNLESS APPROVED BY THE ENGINEER OF RECORD.
- ALL FASTENERS SHALL NOT BE REUSED.
- A NUT LOCKING DEVICE SHALL BE INSTALLED ON ALL PROPOSED AND/OR REPLACED ASTM A325 BOLTS.
- ALL PROPOSED AND/OR REPLACED BOLTS SHALL BE OF SUFFICIENT LENGTH SUCH THAT THE END OF THE BOLT BE AT LEAST FLUSH WITH THE FACE OF THE NUT. IT IS NOT PERMITTED FOR THE BOLT END TO BE BELOW THE FACE OF THE NUT AFTER TIGHTENING IS COMPLETED.
- FASTENERS SHALL BE INSTALLED IN PROPERLY ALIGNED HOLES AND TIGHTENED BY ONE OF THE METHODS DESCRIBED IN THE AISC MANUAL OF STEEL CONSTRUCTION, SUBSECTION 8.2.1 THROUGH 8.2.4.
- HOT-DIP GALVANIZE ALL ITEMS, UNO. GALVANIZE PER ASTM A123, ASTM A153/A153M OR ASTM A653 G90, AS APPLICABLE.
- AFTER FINAL INSPECTION, ALL EXPOSED STRUCTURAL STEEL AS THE RESULT OF THIS SCOPE OF WORK INCLUDING WELDS, FIELD DRILLED HOLES, AND SHAFT INTERIORS (WHERE ACCESSIBLE), SHALL BE CLEANED AND (2) COATS OF ZRC-BRAND (OR APPROVED EQUAL BY EOR) ZINC-RICH COLD GALVANIZING APPLIED BY BRUSH IN ACCORDANCE WITH MANUFACTURERS RECOMMENDATIONS. PHOTO DOCUMENTATION IS REQUIRED TO BE SUBMITTED TO THE MI INSPECTOR.

WELDING NOTES

- ALL WELDING SHALL BE IN ACCORDANCE WITH THE AWS D1.1/D1.1M, "STRUCTURAL WELDING CODE-STEEL".
- ALL WELDING SHALL BE PERFORMED BY AWS CERTIFIED WELDERS.
- ALL ARC WELDING SHALL BE DONE IN ACCORDANCE WITH A, "CUTTING AND WELDING SAFETY PLAN" AND AWS D1.1 (LATEST EDITION). THE CONTRACTOR IS RESPONSIBLE FOR THE "CUTTING AND WELDING PLAN". THIS SHALL INCLUDE A CERTIFIED WELDING INSPECTOR (CWI) FOR ACCEPTANCE OR REJECTION OF ALL WELDING OPERATIONS, PRE-DURING-POST, USING THE ACCEPTANCE CRITERIA OF AWS D1.1. THE CWI SHALL WORK WITH THE GC ON THE LEVEL OF INTERACTION NEEDED TO CONDUCT THE WELDING INSPECTION. THE CERTIFIED WELDING INSPECTION IS THE RESPONSIBILITY OF THE GC.
- FOR ALL WELDING, USE E80XX ELECTRODES FOR SMAW PROCESS AND E8XT-XX ELECTRODES FOR FCAW PROCESS, UNO.
- SURFACES TO BE WELDED SHALL BE FREE FROM SCALE, SLAG, RUST, MOISTURE, GREASE OR ANY OTHER FOREIGN MATERIAL THAT WOULD PREVENT PROPER WELDING. GRIND THE SURFACE ADJACENT TO THE WELD FOR A DISTANCE OF 2" MINIMUM ALL AROUND. ENSURE BOTH AREAS ARE 100% FREE OF ALL GALVANIZING.
- DO NOT WELD IF THE TEMPERATURE OF THE STEEL IN THE VICINITY OF THE WELD AREA IS BELOW 0° F. WHEN THE TEMPERATURE IS BETWEEN 0° F AND 32° F, PREHEAT AND MAINTAIN THE STEEL IN THE VICINITY OF THE WELD AREA AT 70° F DURING THE WELDING PROCESS.
- DO NOT WELD ON WET OR FROST-COVERED SURFACES & PROVIDE ADEQUATE PROTECTION FROM HIGH WINDS.
- FULL PENETRATION WELDS IN THE VICINITY OF THE BASE OF THE TOWER ARE REQUIRED TO BE 100% NDE INSPECTED BY UT IN ACCORDANCE WITH AWS D1.1.
- PARTIAL PENETRATION AND FILLET WELDS IN THE VICINITY OF THE BASE OF THE TOWER ARE REQUIRED TO BE 50% NDE INSPECTED BY MP IN ACCORDANCE WITH AWS D1.1.

GENERAL BOLT INFORMATION

BOLT DIAMETER	STANDARD HOLE	SHORT SLOT	MIN. EDGE	SPACING
1/2"	9/16"	9/16" x 1 1/16"	7/8"	1 1/2"
5/8"	1 1/16"	1 1/16" x 7/8"	1 1/8"	1 7/8"
3/4"	1 3/16"	1 3/16" x 1"	1 1/4"	2 1/4"
7/8"	1 5/16"	1 5/16" x 1 1/8"	1 1/2"	2 5/8"
1"	1 1/16"	1 1/16" x 1 5/16"	1 3/4"	3"

DETAIL DRAWINGS SHALL GOVERN OVER ANY VARIANCE FROM THIS SHEET

General Notes

Accelerated Tower Engineering

4710 Portofino Drive
Longmont, CO 80503
(479) 530-8627
www.atowereng.com

Report Prepared For:

BLACK & VEATCH

4600 S. Syracuse Street, Suite 300
Denver, CO 80237
(303) 264-0512

ENGINEER OF RECORD SEAL

0	Construction	03/19/24
No.	Revision/Issue	Date

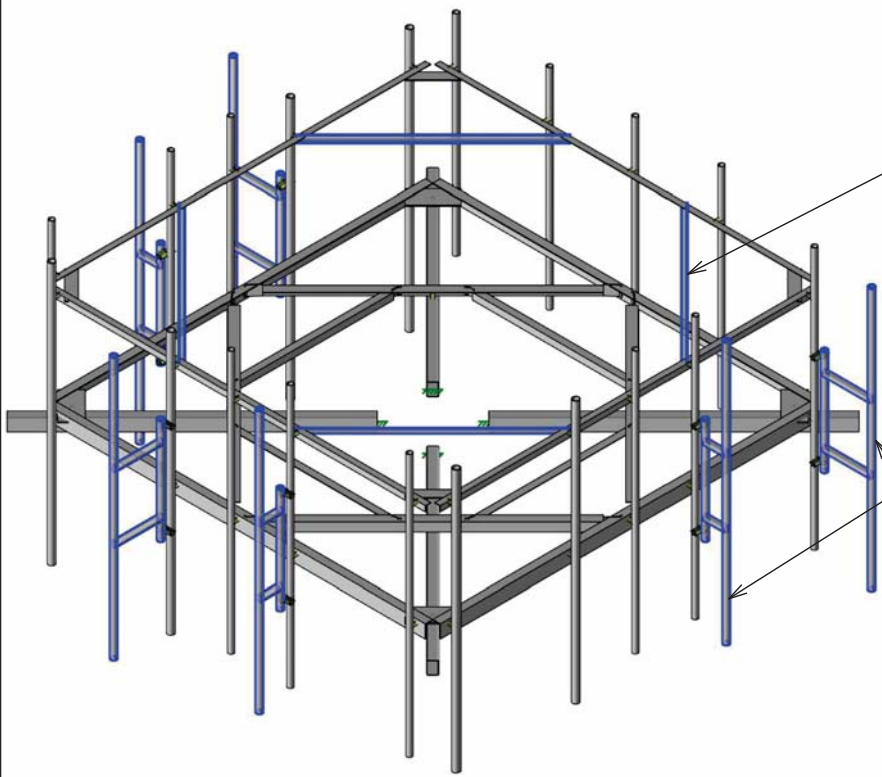
Project Name and Address

USID#78733 (COL02065)
Schreiber AFB
15620 Hwy 94
Colorado Springs, CO 80929
El Paso County

Sheet Title

NOTES

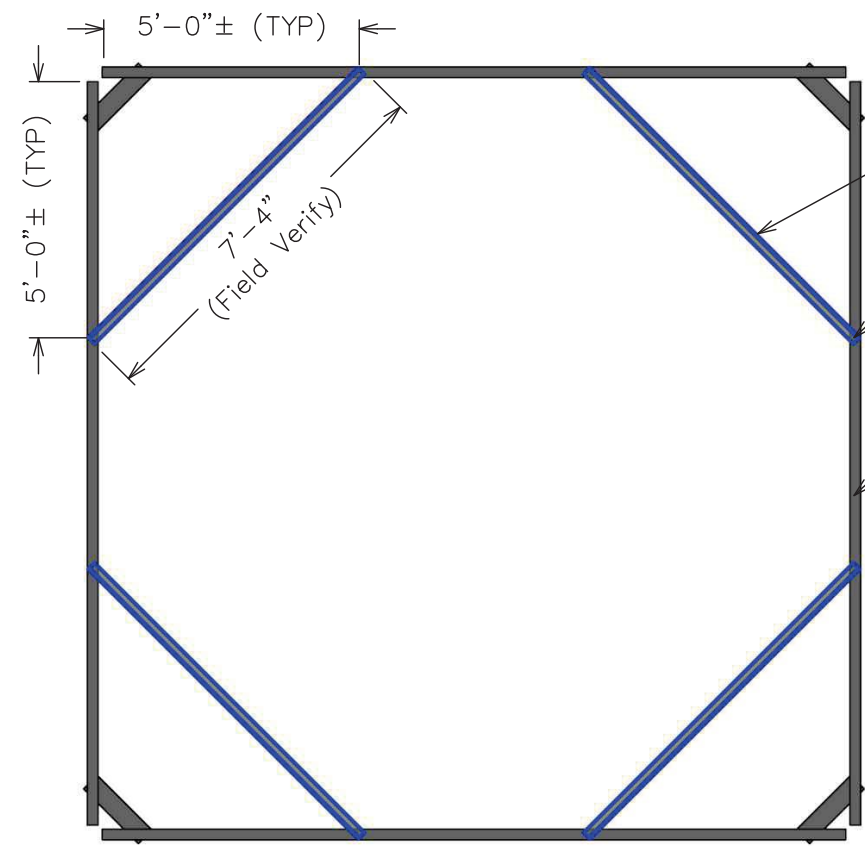
Project	019420240042	Sheet	S-3
Date	03/19/2024		
Drawn By:	BU	Checked By:	SC



ISO View

Site Pro 1 ANG214 attached to existing handrails with Site Pro 1 G12112 and matching hardware or approved equivalents. (TYP 4 locations)

Site Pro 1 PM2 or PM1 attached to existing mount pipe with Site Pro 1 SCP10W (or approved equivalents) with a 42" vertical spacing. Match existing mount pipe tip height. (TYP per AT&T construction drawings)



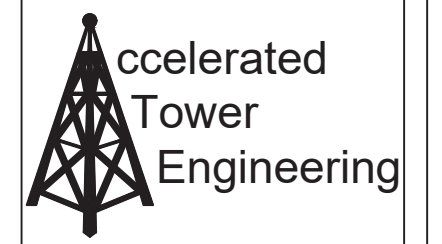
Top View (Only Handrails Shown)

Site Pro 1 ANG214, cut to length, or approved equivalent. (TYP 4 locations)

Site Pro 1 G12112 and matching hardware or approved equivalents. (TYP 8 locations)

Existing Handrails

General Notes



4710 Portofino Drive
Longmont, CO 80503
(479) 530-8627
www.atowereng.com

Report Prepared For:



BLACK & VEATCH

4600 S. Syracuse Street, Suite 300
Denver, CO 80237
(303) 264-0512

ENGINEER of RECORD SEAL



No.	Revision/Issue	Date
0	Construction	03/19/24

Project Name and Address
USID#78733 (COL02065)
Schreiver AFB
15620 Hwy 94
Colorado Springs, CO 80929
El Paso County

Handrail Modifications

Project 019420240042	Sheet S-4
Date 03/19/2024	
Drawn By: BU	Checked By: SC