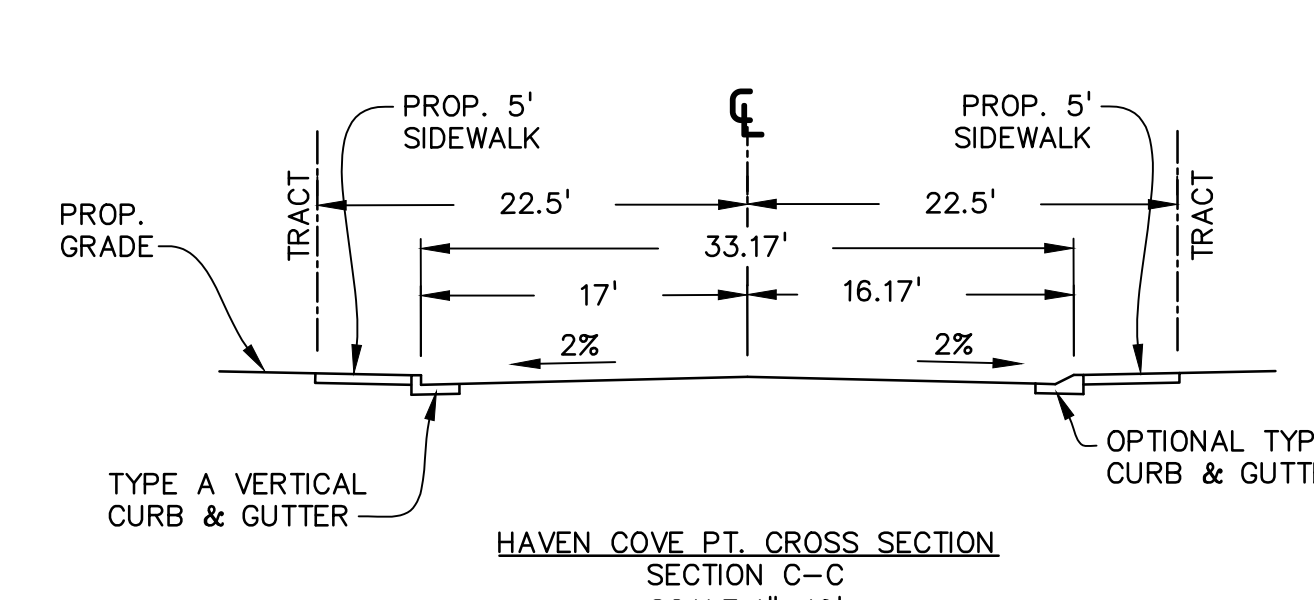
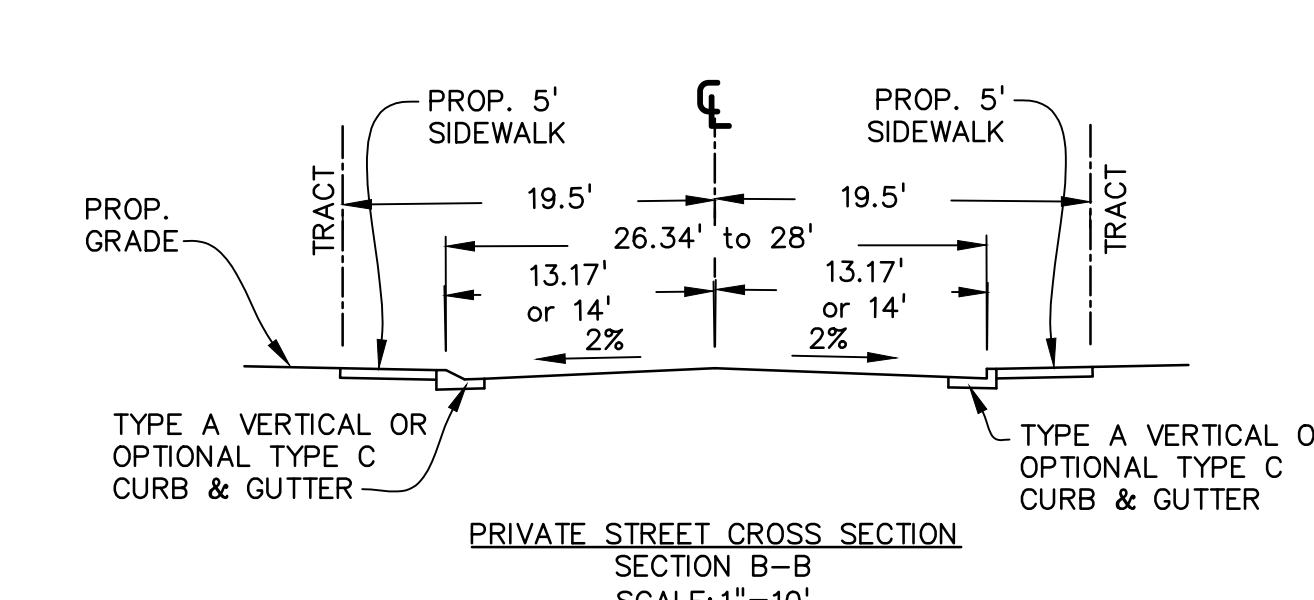
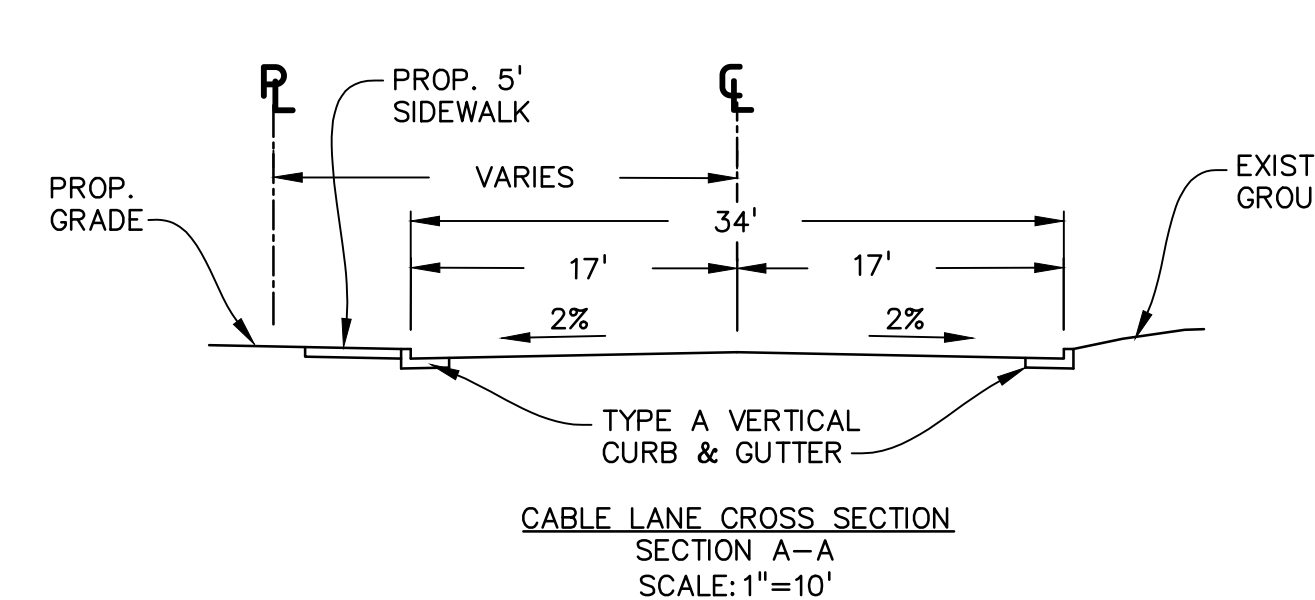
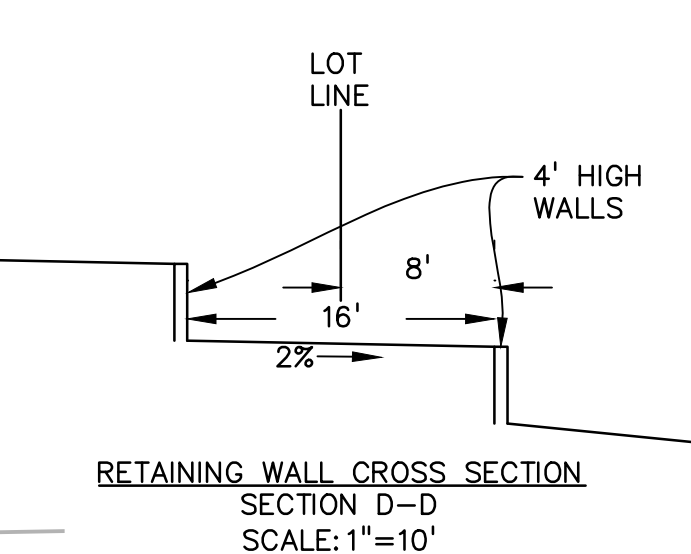
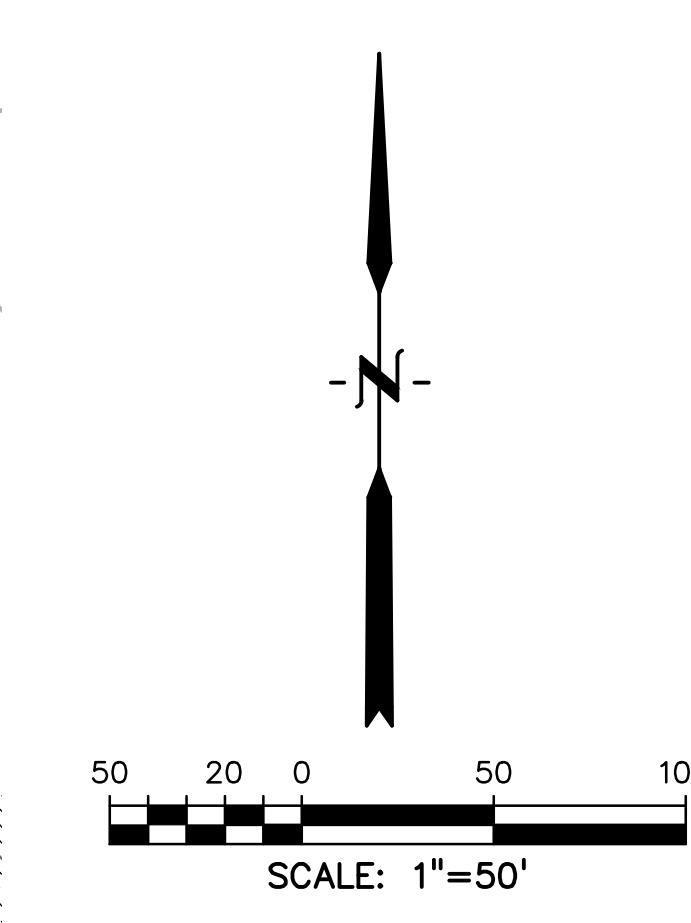


- LEGEND**
- STORM DRAIN
 - CURB FLOWLINE
 - R.O.W.
 - EXIST. FENCE
 - EXIST. STORM SEWER
 - EXIST. MINOR CONTOUR
 - EXIST. MAJOR CONTOUR
 - PROP. MINOR CONTOUR
 - PROP. MAJOR CONTOUR



PREPARED BY:

DREXEL, BARRELL & CO.
Engineers-Surveyors
3 SOUTH 7TH STREET
COLORADO SPGS, COLORADO 80905
CONTACT: TIM D. MCCONNELL, P.E.
(719)260-0887
BOULDER • COLORADO SPRINGS • GREELEY

CLIENT:

RICHMOND
AMERICAN HOMES
4350 S. MONACO ST.
DENVER, CO 80237
CONTACT: MATTHEW JENKINS
(720) 977-3686

PUD DEVELOPMENT/PRELIMINARY PLAN FOR:

HAVEN VALLEY

(LETA DR.) BRADLEY RD/ALTURAS DR.
SECURITY, EL PASO COUNTY, COLORADO

ISSUE	DATE
INITIAL ISSUE	4/29/21
LATEST ISSUE	4/8/22

DESIGNED BY: TDM
DRAWN BY: GES
CHECKED BY: TDM
FILE NAME: 21085-03GP01

PREPARED UNDER MY DIRECT SUPERVISION FOR AND ON BEHALF OF DREXEL, BARRELL & CO.

DRAWING SCALE:
HORIZONTAL: 1" = 50'
VERTICAL: N/A

PRELIMINARY GRADING PLAN

PROJECT NO. 21085-03CSCV
DRAWING NO.

811 Know what's below. Call before you dig.
CALL 3-BUSINESS DAYS IN ADVANCE BEFORE YOU DIG, GRADE, OR EXCAVATE FOR THE MARKING OF UNDERGROUND MEMBER UTILITIES.

GP01

SHEET: 4 OF 9