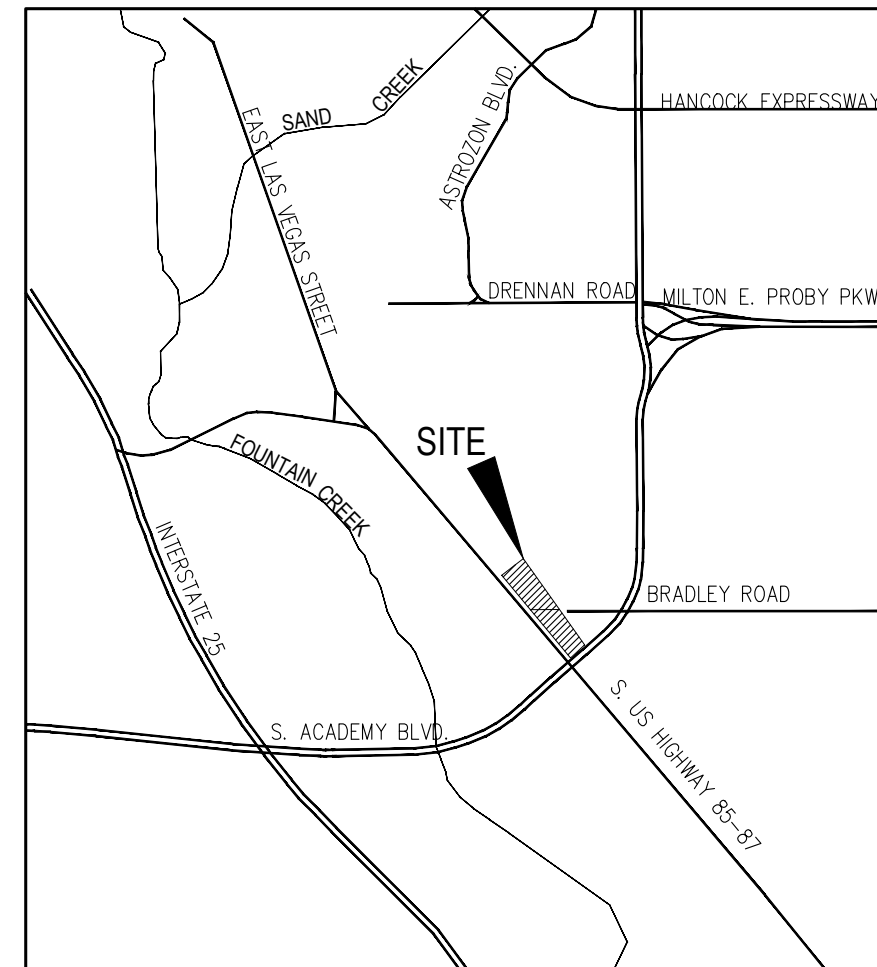


# BRADLEY POINT FILING NO. 1

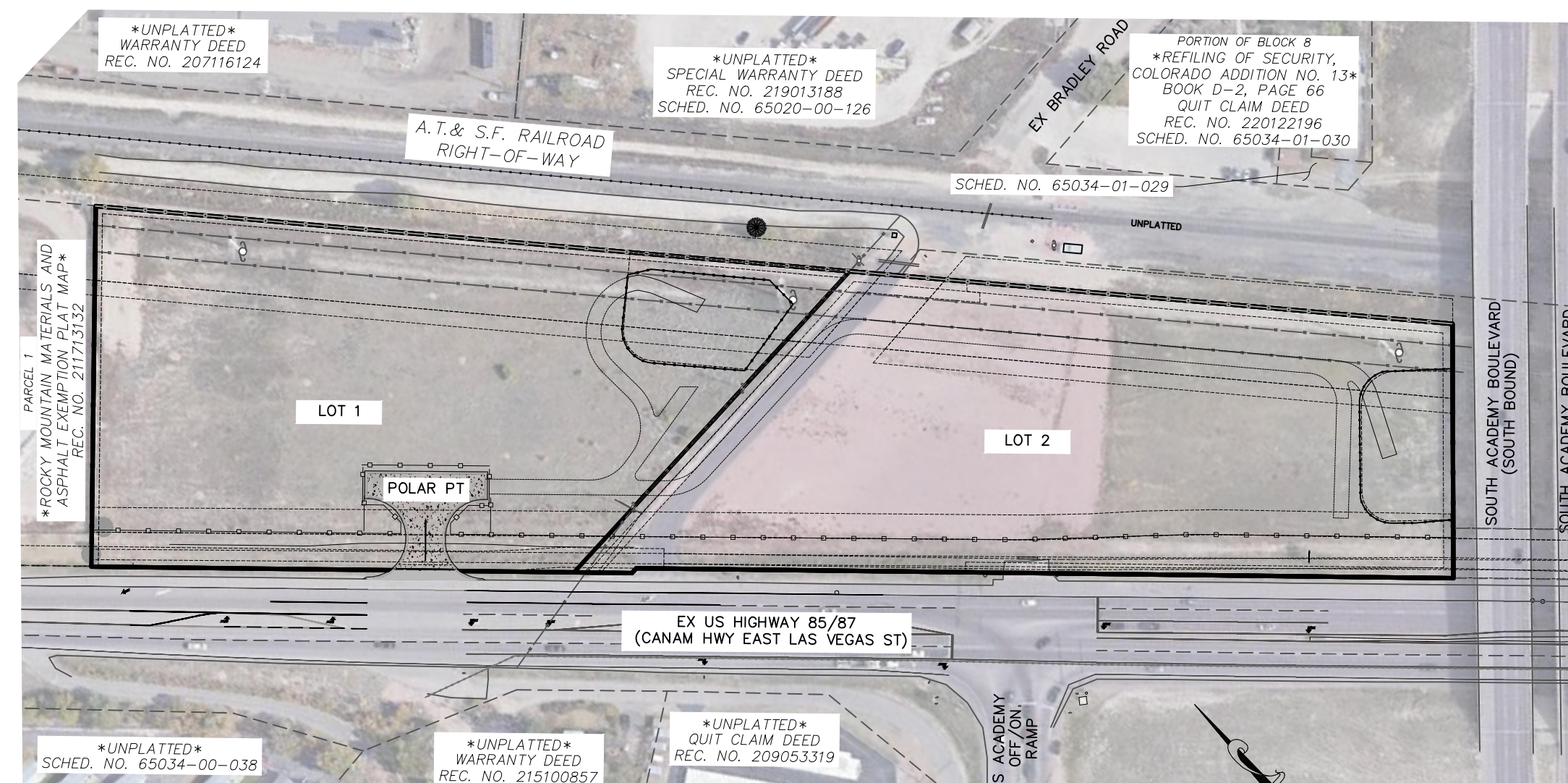
## COUNTY OF EL PASO, STATE OF COLORADO

# CONSTRUCTION PLANS

AUGUST 2023



VICINITY MAP  
N.T.S.



SITE MAP  
N.T.S.

### GENERAL CONSTRUCTION NOTES:

- IT SHALL BE THE RESPONSIBILITY OF THE CONTRACTOR TO VERIFY THE EXISTENCE AND LOCATION OF ALL UNDERGROUND UTILITIES ALONG THE ROUTE OF THE WORK. THE OMISSION FROM OR THE INCLUSION OF UTILITY LOCATIONS ON THE PLANS IS NOT TO BE CONSIDERED AS THE NONEXISTENCE OF OR A DEFINITE LOCATION OF EXISTING UNDERGROUND UTILITIES.
- THE CONTRACTOR WILL TAKE THE NECESSARY PRECAUTIONS TO PROTECT EXISTING UTILITIES FROM DAMAGE DUE TO THIS OPERATION. ANY DAMAGE TO THE UTILITIES WILL BE REPAIRED AT THE CONTRACTOR'S EXPENSE, AND ANY SERVICE DISRUPTION WILL BE SETTLED BY THE CONTRACTOR.
- ADDITIONAL EROSION CONTROL STRUCTURES MAY BE REQUIRED AT THE TIME OF CONSTRUCTION.
- ALL BACKFILL, SUB-BASE, AND/OR BASE COURSE (CLASS 6) MATERIAL SHALL BE COMPACTED PER THE SOILS ENGINEER'S RECOMMENDATIONS, AND APPROVED BY EL PASO COUNTY PCD.
- ALL STATIONING IS CENTERLINE OF IMPROVEMENTS UNLESS OTHERWISE INDICATED. ALL ELEVATIONS ARE FLOW LINE UNLESS OTHERWISE INDICATED AS TOP BACK OF CURB (TBC), ASPHALT (ASP), OR TOP OF INLET OR BOX (TOB).
- ALL DISTURBED PAVEMENT EDGES SHALL BE CUT TO NEAT LINES. REPAIR SHALL CONFORM TO EPC ECM APPENDIX K - 1.2C.
- ALL INTERSECTION ACCESSES TO BE CONSTRUCTED WITH A 25 FOOT SIGHT VISIBILITY TRIANGLES IS REQUIRED AND THERE SHALL BE NO OBSTRUCTIONS GREATER THAN 18" VERTICAL IN THIS AREA.
- ALL CULVERTS AND STORM DRAIN PIPES SHALL BE SMOOTH INTERIOR CORRUGATED POLYETHYLENE PIPE, REINFORCED CONCRETE PIPE (RCP). ALL CULVERTS SHALL BE PLACED COMPLETE WITH FLARED END SECTIONS. ADEQUACY OF MATERIAL THICKNESS FOR ANY CSP INSTALLED SHALL BE VERIFIED BY OWNER'S GEOTECHNICAL ENGINEER TO SUPPORT MINIMUM 50 YEAR DESIGN LIFE. CULVERTS MUST CONFORM TO EPC ECM SECTION 3.32 - CULVERTS.
- ASPHALT THICKNESS AND BASE COURSE THICKNESS (COMPACTED) FOR ROADS SHALL BE PER DESIGN REPORT BY OWNER'S GEOTECHNICAL ENGINEER. OWNER'S GEOTECHNICAL ENGINEER TO BE ON SITE AT THE TIME OF ROAD CONSTRUCTION TO EVALUATE SOIL CONDITIONS AND DETERMINE IF ADDITIONAL MEASURES ARE NECESSARY TO ASSURE STABILITY OF THE NEW ROADS. PAVEMENT DESIGN SHALL BE APPROVED BY EL PASO COUNTY PCD PRIOR TO CONSTRUCTION.

### STANDARD NOTES FOR EL PASO COUNTY CONSTRUCTION PLANS

- ALL DRAINAGE AND ROADWAY CONSTRUCTION SHALL MEET THE STANDARDS AND SPECIFICATIONS OF THE CITY OF COLORADO SPRINGS/EL PASO COUNTY DRAINAGE CRITERIA MANUAL, VOLUMES 1 AND 2, AND THE EL PASO COUNTY ENGINEERING CRITERIA MANUAL.
- CONTRACTOR SHALL BE RESPONSIBLE FOR THE NOTIFICATION AND FIELD NOTIFICATION OF ALL EXISTING UTILITIES, WHETHER SHOWN ON THE PLANS OR NOT, BEFORE BEGINNING CONSTRUCTION. LOCATION OF EXISTING UTILITIES SHALL BE VERIFIED BY THE CONTRACTOR PRIOR TO CONSTRUCTION. CALL 811 TO CONTACT THE UTILITY NOTIFICATION CENTER OF COLORADO (UNCC).
- CONTRACTOR SHALL KEEP A COPY OF THESE APPROVED PLANS, THE GRADING AND EROSION CONTROL PLAN, THE STORMWATER MANAGEMENT PLAN (SWMP), THE SOILS AND GEOTECHNICAL REPORT, AND THE APPROPRIATE DESIGN AND CONSTRUCTION STANDARDS AND SPECIFICATIONS AT THE JOB SITE AT ALL TIMES, INCLUDING THE FOLLOWING:
  - EL PASO COUNTY ENGINEERING CRITERIA MANUAL (ECM)
  - CITY OF COLORADO SPRINGS/EL PASO COUNTY DRAINAGE CRITERIA MANUAL, VOLUMES 1 AND 2
  - COLORADO DEPARTMENT OF TRANSPORTATION (CDOT) STANDARD SPECIFICATIONS FOR ROAD AND BRIDGE CONSTRUCTION
  - CDOT M & S STANDARDS.
- NOTWITHSTANDING ANYTHING DEPICTED IN THESE PLANS IN WORDS OR GRAPHIC REPRESENTATION, ALL DESIGN AND CONSTRUCTION RELATED TO ROADS, STORM DRAINAGE AND EROSION CONTROL SHALL CONFORM TO THE STANDARDS AND REQUIREMENTS OF THE MOST RECENT VERSION OF THE RELEVANT ADOPTED EL PASO COUNTY STANDARDS, INCLUDING THE LAND DEVELOPMENT CODE, THE ENGINEERING CRITERIA MANUAL, THE DRAINAGE CRITERIA MANUAL, AND THE DRAINAGE CRITERIA MANUAL VOLUME 2. ANY DEVIATIONS FROM REGULATIONS AND STANDARDS MUST BE REQUESTED, AND APPROVED, IN WRITING. ANY MODIFICATIONS NECESSARY TO MEET CRITERIA AFTER-THE-FACT WILL BE ENTIRELY THE DEVELOPER'S RESPONSIBILITY TO RECTIFY.
- IT IS THE DESIGN ENGINEER'S RESPONSIBILITY TO ACCURATELY SHOW EXISTING CONDITIONS, BOTH ON-SITE AND OFF-SITE, ON THE CONSTRUCTION PLANS. ANY MODIFICATIONS NECESSARY DUE TO CONFLICTS, OMISSIONS, OR CHANGED CONDITIONS WILL BE ENTIRELY THE DEVELOPER'S RESPONSIBILITY TO RECTIFY.
- CONTRACTOR SHALL SCHEDULE A PRE-CONSTRUCTION MEETING WITH EL PASO COUNTY PLANNING AND COMMUNITY DEVELOPMENT DEPARTMENT - INSPECTIONS, PRIOR TO STARTING CONSTRUCTION.
- IT IS THE CONTRACTOR'S RESPONSIBILITY TO UNDERSTAND THE REQUIREMENTS OF ALL JURISDICTIONAL AGENCIES AND TO OBTAIN ALL REQUIRED PERMITS, INCLUDING BUT NOT LIMITED TO EL PASO COUNTY EROSION AND STORMWATER QUALITY CONTROL PERMIT (ESQCP), REGIONAL BUILDING FLOODPLAIN DEVELOPMENT PERMIT, U.S. ARMY CORPS OF ENGINEERS-ISSUED 401 AND/OR 404 PERMITS, AND COUNTY AND STATE FUGITIVE DUST PERMITS.
- CONTRACTOR SHALL NOT DEVIATE FROM THE PLANS WITHOUT FIRST OBTAINING WRITTEN APPROVAL FROM THE DESIGN ENGINEER AND PCD. CONTRACTOR SHALL NOTIFY THE DESIGN ENGINEER IMMEDIATELY UPON DISCOVERY OF ANY ERRORS OR INCONSISTENCIES.
- ALL STORM DRAIN PIPE SHALL BE CLASS III RCP UNLESS OTHERWISE NOTED AND APPROVED BY PCD. **EPC This has been changed to EPC.**
- CONTRACTOR SHALL COORDINATE GEOTECHNICAL TESTING PER ECM STANDARDS. PAVEMENT DESIGN SHALL BE APPROVED BY EL PASO COUNTY PCD PRIOR TO PLACEMENT OF CURB AND GUTTER AND PAVEMENT.
- ALL CONSTRUCTION TRAFFIC MUST ENTER/EXIT THE SITE AT APPROVED CONSTRUCTION ACCESS POINTS.
- SIGHT VISIBILITY TRIANGLES AS IDENTIFIED IN THE PLANS SHALL BE PROVIDED AT ALL INTERSECTIONS. OBSTRUCTIONS GREATER THAN 18 INCHES ABOVE FLOWLINE ARE NOT ALLOWED WITHIN SIGHT TRIANGLES.
- SIGNING AND STRIPING SHALL COMPLY WITH EL PASO COUNTY DEPARTMENT OF PUBLIC WORKS AND MUTCD CRITERIA.
- CONTRACTOR SHALL OBTAIN ANY PERMITS REQUIRED BY EL PASO COUNTY DEPARTMENT OF PUBLIC WORKS, INCLUDING WORK WITHIN THE RIGHT-OF-WAY AND SPECIAL TRANSPORT PERMITS.
- THE LIMITS OF CONSTRUCTION SHALL REMAIN WITHIN THE PROPERTY LINE UNLESS NOTED. THE OWNER/DEVELOPER SHALL OBTAIN WRITTEN PERMISSION AND EASEMENTS, WHERE REQUIRED, FROM ADJOINING PROPERTY OWNER(S) PRIOR TO ANY OFF-SITE DISTURBANCE, GRADING, OR CONSTRUCTION.

### SIGNAGE AND STRIPING NOTES:

- ALL SIGNS AND PAVEMENT MARKINGS SHALL BE IN COMPLIANCE WITH THE CURRENT MANUAL ON UNIFORM TRAFFIC CONTROL DEVICES (MUTCD).
- REMOVAL OF EXISTING PAVEMENT MARKINGS SHALL BE ACCOMPLISHED BY A METHOD THAT DOES NOT MATERIALLY DAMAGE THE PAVEMENT. THE PAVEMENT MARKINGS SHALL BE REMOVED TO THE EXTENT THAT THEY WILL NOT BE VISIBLE UNDER DAY OR NIGHT CONDITIONS. AT NO TIME WILL IT BE ACCEPTABLE TO PAINT OVER EXISTING PAVEMENT MARKINGS.
- ANY DEVIATION FROM THE STRIPING AND SIGNING PLAN SHALL BE APPROVED BY EL PASO COUNTY PLANNING AND COMMUNITY DEVELOPMENT.
- ALL SIGNS SHOWN ON THE SIGNING AND STRIPING PLAN SHALL BE NEW SIGNS. EXISTING SIGNS MAY REMAIN OR BE REUSED IF THEY MEET CURRENT EL PASO COUNTY AND MUTCD STANDARDS.
- STREET NAME AND REGULATORY STOP SIGNS SHALL BE ON THE SAME POST AT INTERSECTIONS.
- ALL REMOVED SIGNS SHALL BE DISPOSED OF IN A PROPER MANNER BY THE CONTRACTOR.
- ALL STREET NAME SIGNS SHALL HAVE "D" SERIES LETTERS, WITH LOCAL ROADWAY SIGNS BEING 4" UPPER-LOWER CASE LETTERING ON 8" BLANK AND NON-LOCAL ROADWAY SIGNS BEING 6" LETTERING, UPPER-LOWER CASE ON 12" BLANK, WITH A WHITE BORDER THAT IS NOT RECESSED. MULTI-LANE ROADWAYS WITH SPEED LIMITS OF 40 MPH OR HIGHER SHALL HAVE 8" UPPER-LOWER CASE LETTERING ON 18" BLANK WITH A WHITE BORDER THAT IS NOT RECESSED. THE WIDTH OF THE NON-RECESSED WHITE BORDERS SHALL MATCH PAGE 255 OF THE 2012 MUTCD "STANDARD HIGHWAY SIGNS"
- ALL TRAFFIC SIGNS SHALL HAVE A MINIMUM HIGH INTENSITY PRISMATIC GRADE SHEETING.
- ALL LOCAL RESIDENTIAL STREET SIGNS SHALL BE MOUNTED ON A 1.75" X 1.75" SQUARE TUBE SIGN POST AND STUB POST BASE. FOR OTHER APPLICATIONS, REFER TO THE CDOT STANDARD S-614-B REGARDING USE OF THE P2 TUBULAR STEEL POST SLIPBASE DESIGN.
- ALL SIGNS SHALL BE SINGLE SHEET ALUMINUM WITH 0.100" MINIMUM THICKNESS.

- ALL LIMIT LINES/STOP LINES, CROSSWALK LINES, PAVEMENT LEGENDS, AND ARROWS SHALL BE A MINIMUM 125 MIL THICKNESS PREFORMED THERMOPLASTIC PAVEMENT MARKINGS WITH TAPERED LEADING EDGES PER CDOT STANDARD S-627-1. WORD AND SYMBOL MARKINGS SHALL BE THE NARROW TYPE. STOP BARS SHALL BE 24" IN WIDTH. CROSSWALKS LINES SHALL BE 12" WIDE AND 8' LONG PER CDOT S-627-1.
- ALL LONGITUDINAL LINES SHALL BE A MINIMUM 15MIL THICKNESS EPOXY PAINT. ALL NON-LOCAL RESIDENTIAL ROADWAYS SHALL INCLUDE BOTH RIGHT AND LEFT EDGE LINE STRIPING AND ANY ADDITIONAL STRIPING AS REQUIRED BY CDOT S-627-1.
- THE CONTRACTOR SHALL NOTIFY EL PASO COUNTY PLANNING AND COMMUNITY DEVELOPMENT (719) 520-6819 PRIOR TO AND UPON COMPLETION OF SIGNING AND STRIPING.
- THE CONTRACTOR SHALL OBTAIN A WORK IN THE RIGHT OF WAY PERMIT FROM THE EL PASO COUNTY DEPARTMENT OF PUBLIC WORKS (DPW) PRIOR TO ANY SIGNAGE OR STRIPING WORK WITHIN AN EXISTING EL PASO COUNTY ROADWAY.

I would add a note that CDOT requirements apply at the access to HWY 85.

This has been added to the notes.

### SHEET INDEX

- SHEET 1 TITLE SHEET
- SHEET 2 DEMOLITION PLAN
- SHEET 3 STREET IMPROVEMENT PLANS
- SHEET 4 STREET IMPROVEMENT PLAN
- SHEET 5 STRIPING AND SIGNAGE PLAN

### BENCHMARKS

- CONTROL DISK SET IN ABUTMENT OF BRIDGE  
N: 1341598.37  
E: 3210918.78  
ELEV: 5782.74'

### BASIS OF BEARING

A PORTION OF THE EASTERLY ROW OF HWY 85/87 (E. LAS VEGAS ST) BEING MONUMENTED AT THE SE WITH A NO. 5 REBAR AND ORANGE PLASTIC CAP STAMPED "PLS 25955" AND AT THE NW WITH A NO. 5 REBAR AND ORANGE PLASTIC CAP STAMPED "PLS 25965" AND BEARS N40°50'47"W, A DISTANCE OF 486.58 FEET.

### AGENCIES

OWNER/DEVELOPER:	STEPHEN J. SCHNURR 2010 FOX MOUNTAIN POINT COLORADO SPRINGS, CO 80906 STEPHEN J. SCHNURR (719) 491-3101
CIVIL ENGINEER:	M & S CIVIL CONSULTANTS, INC. 212 N. WAHSATCH AVE, SUITE 305 COLORADO SPRINGS, CO 80903 VIRGIL A. SANCHEZ P.E. (719) 955-5485
WATER RESOURCES:	SECURITY WATER AND SANITATION DISTRICT 231 SECURITY BOULEVARD COLORADO SPRINGS, CO 80911 ROY HEALD (719) 392-3475
COUNTY ENGINEERING:	EL PASO COUNTY PLANNING AND COMMUNITY DEVELOPMENT 2880 INTERNATIONAL CIRCLE, SUITE 110 COLORADO SPRINGS, CO 80910 GILBERT LAFORCE (719) 520-7945 <b>Department of Public Works</b>
TRAFFIC ENGINEERING:	EL PASO COUNTY DEPARTMENT OF PUBLIC WORKS 3275 AKERS DRIVE COLORADO SPRINGS, CO 80922 JENNIFER IRVINE, P.E. (719) 520-6460 <b>Department of Public Works</b>
FIRE DISTRICT:	SECURITY FIRE DEPARTMENT 400 SECURITY BOULEVARD SECURITY, CO 80911 BRANDON SULLIVAN (719) 392-7121
GAS DEPARTMENT:	COLORADO SPRINGS UTILITIES 1521 HANCOCK EXPRESSWAY COLORADO SPRINGS, CO 80903 (719) 668-7640
ELECTRIC DEPARTMENT:	COLORADO SPRINGS UTILITIES 1521 HANCOCK EXPRESSWAY COLORADO SPRINGS, CO 80903 (719) 668-7640
COMMUNICATIONS:	TBD (U.N.C.C. LOCATORS) (800) 922-1987 AT&T (LOCATORS) (719) 635-3674

### DESIGN ENGINEER'S STATEMENT:

THESE DETAILED PLANS AND SPECIFICATIONS WERE PREPARED UNDER MY DIRECTION AND SUPERVISION. SAID PLANS AND SPECIFICATIONS HAVE BEEN PREPARED ACCORDING TO THE CRITERIA ESTABLISHED BY THE COUNTY FOR DETAILED ROADWAY, DRAINAGE, GRADING AND EROSION CONTROL PLANS AND SPECIFICATIONS, AND SAID PLANS AND SPECIFICATIONS ARE IN CONFORMITY WITH APPLICABLE MASTER DRAINAGE PLANS AND MASTER TRANSPORTATION PLANS. SAID PLANS AND SPECIFICATIONS MEET THE PURPOSES FOR WHICH THE PARTICULAR ROADWAY AND DRAINAGE FACILITIES ARE DESIGNED AND ARE CORRECT TO THE BEST OF MY KNOWLEDGE AND BELIEF. I ACCEPT RESPONSIBILITY FOR ANY LIABILITY CAUSED BY ANY NEGLIGENT ACTS, ERRORS OR OMISSIONS ON MY PART IN PREPARATION OF THESE DETAILED PLANS AND SPECIFICATIONS.



VIRGIL A. SANCHEZ, COLORADO P.E. #37160  
FOR AND ON BEHALF OF M & S CIVIL CONSULTANTS, INC.

### OWNER/DEVELOPER'S STATEMENT:

I, THE OWNER/DEVELOPER HAVE READ AND WILL COMPLY WITH THE REQUIREMENTS IN THESE DETAILED PLANS AND SPECIFICATIONS.

*Steve J. Schnurr*

STEPHEN J. SCHNURR  
BRADLEY POINT, LLC  
2010 FOX MOUNTAIN POINT  
COLORADO SPRINGS, CO 80906  
(719) 491-3101

09-05-2023  
DATE

### EL PASO COUNTY:

COUNTY PLAN REVIEW IS PROVIDED ONLY FOR GENERAL CONFORMANCE WITH COUNTY DESIGN CRITERIA. THE COUNTY IS NOT RESPONSIBLE FOR THE ACCURACY AND ADEQUACY OF THE DESIGN, DIMENSIONS, AND/OR ELEVATIONS WHICH SHALL BE CONFIRMED AT THE JOB SITE. THE COUNTY THROUGH THE APPROVAL OF THIS DOCUMENT ASSUMES NO RESPONSIBILITY FOR COMPLETENESS AND/OR ACCURACY OF THIS DOCUMENT.

FILED IN ACCORDANCE WITH THE REQUIREMENTS OF THE EL PASO COUNTY LAND DEVELOPMENT CODE, DRAINAGE CRITERIA MANUAL VOLUMES 1 AND 2, AND ENGINEERING CRITERIA MANUAL AS AMENDED.

IN ACCORDANCE WITH ECM SECTION 1.12, THESE CONSTRUCTION DOCUMENTS WILL BE VALID FOR CONSTRUCTION FOR A PERIOD OF 2 YEARS FROM THE DATE SIGNED BY THE EL PASO COUNTY ENGINEER. IF CONSTRUCTION HAS NOT STARTED WITHIN THOSE 2 YEARS, THE PLANS WILL NEED TO BE RESUBMITTED FOR APPROVAL, INCLUDING PAYMENT OF REVIEW FEES AT THE PLANNING AND COMMUNITY DEVELOPMENT DIRECTOR'S DISCRETION.

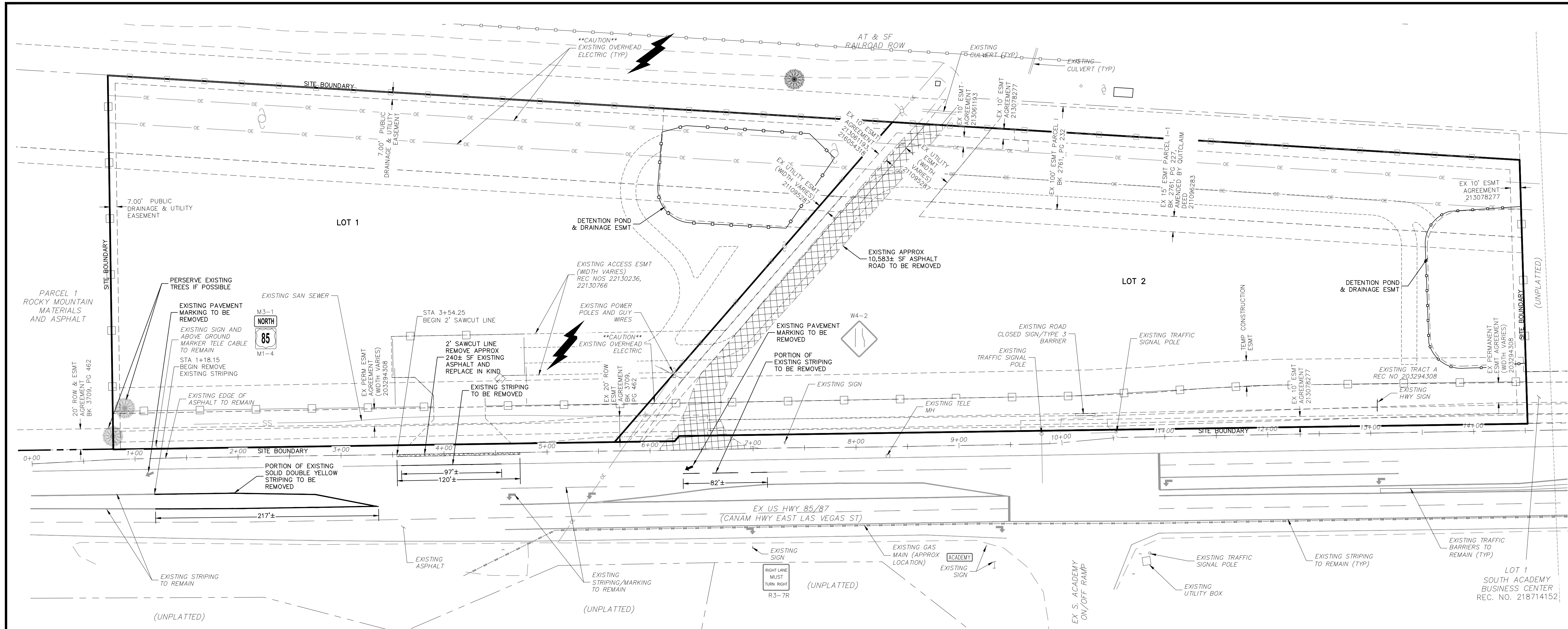
JOSHUA PALMER, P.E.  
COUNTY ENGINEER/ECM ADMINISTRATOR

DATE

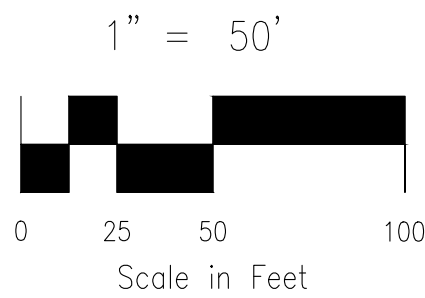
Updated to MS MS

EL PASO COUNTY FILE NO. SF-21-002

BRADLEY POINT FILING NO. 1		COVER SHEET		DATE: 08/21/2023		SHEET 1 OF 5	
PROJECT NO. 70-074		SCALE: HORIZONTAL: N/A VERTICAL: N/A		DESIGNED BY: DM		CHECKED BY: DM	
212 N. WAHSATCH AVE, STE 305 COLORADO SPRINGS, CO 80903 PHONE: 719.955.5485		M & S CIVIL CONSULTANTS, INC.		FOR AND ON BEHALF OF M & S CIVIL CONSULTANTS, INC.			
REVISIONS:		BY: DESCRIPTION:		DATE:		THE ENGINEER PREPARING THESE PLANS WILL NOT BE RESPONSIBLE, OR LIABLE FOR, UNAUTHORIZED CHANGES TO OR USES OF THESE PLANS. ALL CHANGES TO THE PLANS MUST BE IN WRITING AND MUST BE APPROVED BY THE PREPARE OF THESE PLANS.	
						CAUTION	



**DP ENTRANCE - HWY 85/87  
DEMOLITION PLAN**



**ABBREVIATION LEGEND**

CL	CENTERLINE
LT	LEFT
RT	RIGHT
C&G	CURB AND GUTTER
EL	ELEVATION
W	WEST
CONST	CONSTRUCTION
N	NORTH
WTR	WATER
S	SOUTH
STM	STORM SEWER
PUB	PUBLIC
EX	EXISTING
STA	STATION
NTS	NOT TO SCALE
PROP	PROPOSED
SAN	SANITARY SEWER
CDS	CUL DE SAC
OMD	CHEROKEE METRO DISTRICT
VAC	VACATED

**LEGEND**

SS	EXISTING SAN SEWER
GAS	EXISTING GAS MAIN
GR	EXISTING GUARDRAIL
OE	EXISTING OVERHEAD ELEC
OP	EXISTING POWER POLE
OS	EXISTING SIGN
AS	EXISTING ASPHALT TO REMAIN
AR	EXISTING ASPHALT TO BE REMOVED

FOR LOCATING & MARKING GAS, ELECTRIC, WATER & TELEPHONE LINES

FOR BURIED UTILITY INFORMATION  
48 HRS BEFORE YOU DIG  
CALL 1-800-922-1987

**BRADLEY POINT FILING NO. 1**

**DEMOLITION PLAN**

PROJECT NO. 70-074 DATE: 08/21/2023

SCALE: HORIZONTAL: 1"=50' VERTICAL: N/A

DESIGNED BY: DM DRAWN BY: CLP CHECKED BY: DM

210 N. WABATCH AVE, STE 305  
COLORADO SPRINGS, CO 80903  
PHONE: 719.555.5465

**CIVIL CONSULTANTS, INC.**

FOR AND ON BEHALF OF  
CIVIL CONSULTANTS, INC.

VIRGIL A. SANCHEZ, COLORADO, P.E. NO. 37160

37160

08/06/23

PROFESSIONAL SEAL

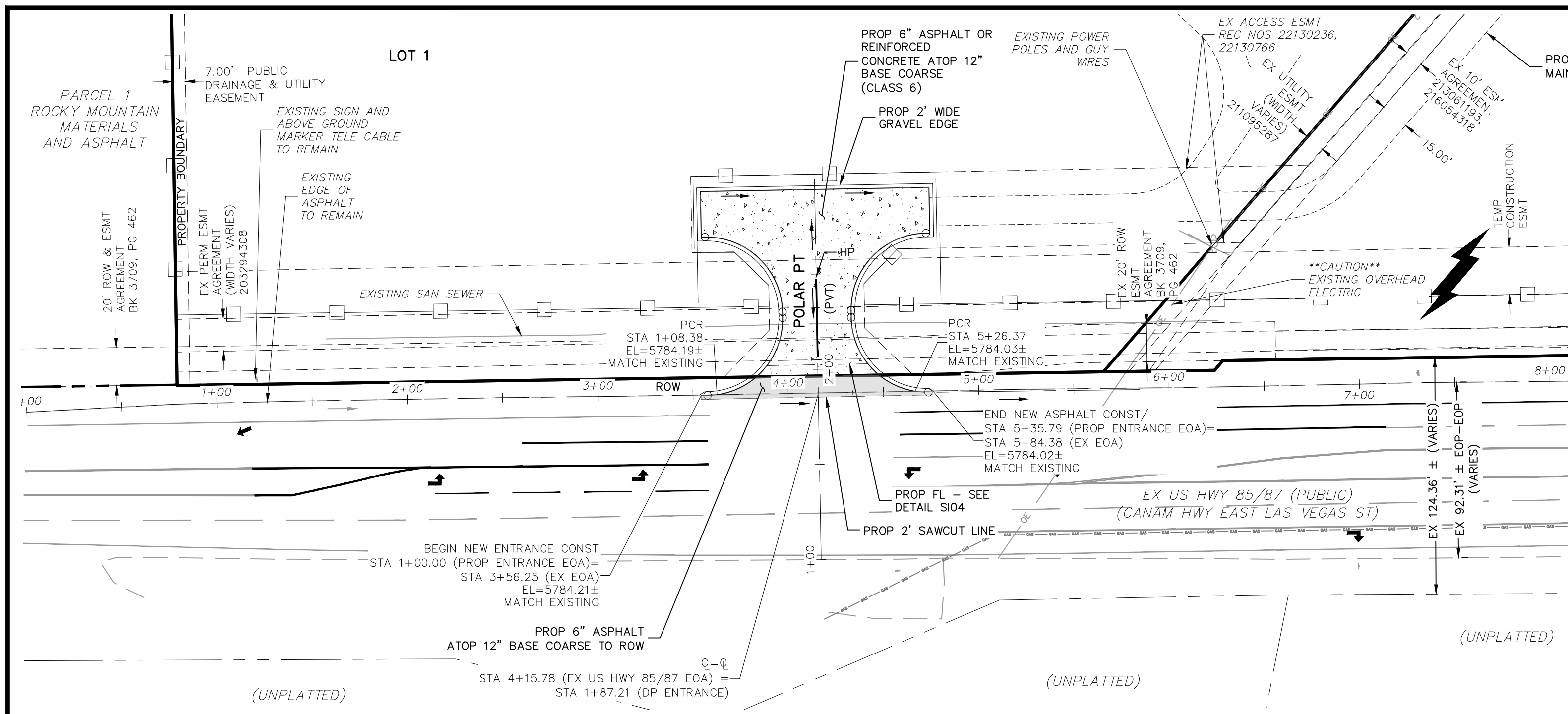
REVISIONS:	NO.	DATE:	BY:	DESCRIPTION:

THE ENGINEER PREPARING THESE PLANS WILL NOT BE RESPONSIBLE, OR LIABLE FOR, UNAUTHORIZED CHANGES TO OR USES OF THESE PLANS. ALL CHANGES TO THE PLANS MUST BE IN WRITING AND MUST BE APPROVED BY THE PREPARE OF THESE PLANS.

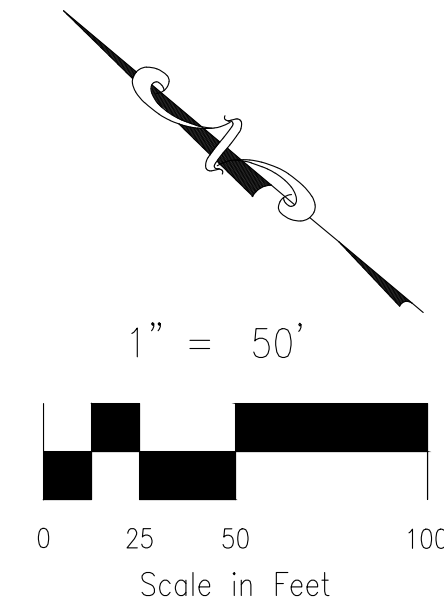
CAUTION

SI02  
SHEET 2 OF 5

EL PASO COUNTY FILE NO. SF-21-002



**POLAR PT (PVT) ENTRANCE - HWY 85/87 (PUBLIC)**  
**STA 1+00.00 TO STA 13+00.00**

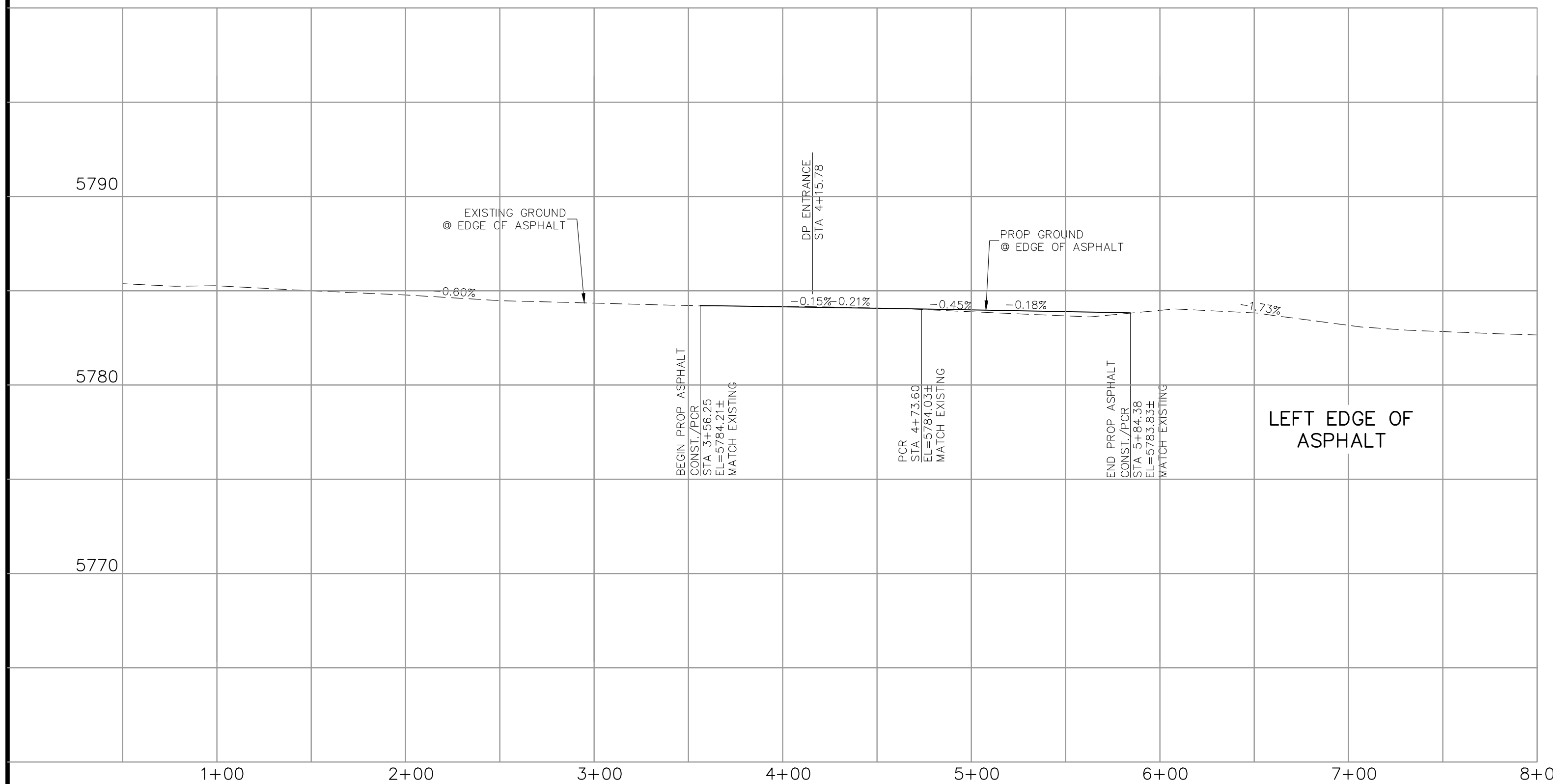


**ABBREVIATION LEGEND**

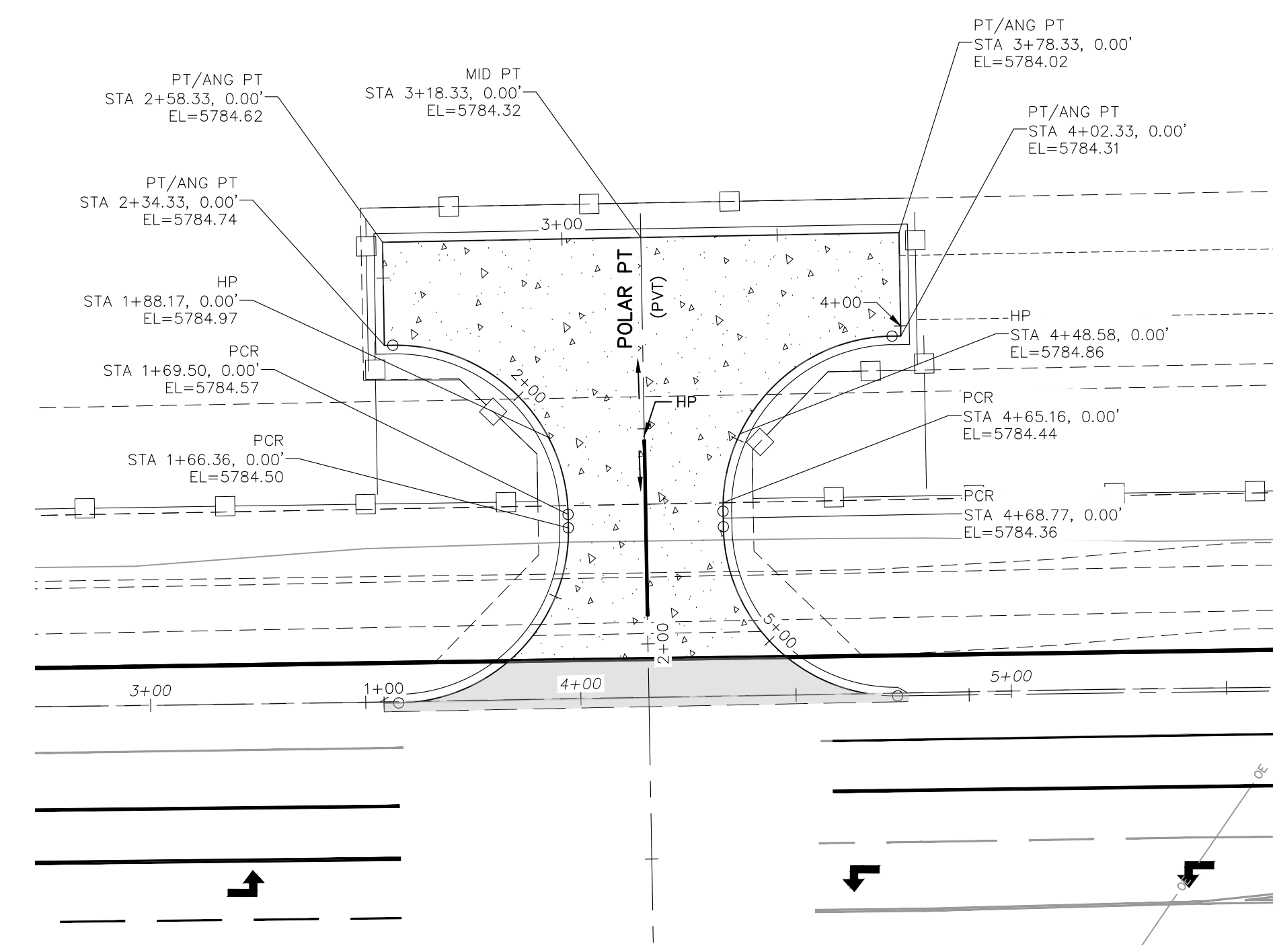
CL	CENTERLINE
LT	LEFT
RT	RIGHT
C&G	CURB AND GUTTER
EL	ELEVATION
W	WEST
CONST	CONSTRUCTION
N	NORTH
WTR	WATER
S	SOUTH
STM	STORM SEWER
PUB	PUBLIC
EX	EXISTING
STA	STATION
NTS	NOT TO SCALE
PROP	PROPOSED
SAN	SANITARY SEWER
CDS	CUL DE SAC
CMD	CHEROKEE METRO DISTRICT
VAC	VACATED

**LEGEND**

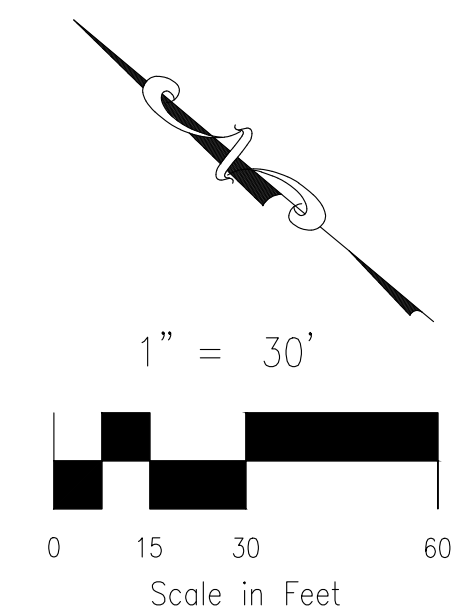
SS	EXISTING SAN SEWER
GAS	EXISTING GAS MAIN
GR	EXISTING GUARDRAIL
OE	EXISTING OVERHEAD ELEC
OP	EXISTING POWER POLE
OS	EXISTING SIGN
PA	PROPOSED ASPHALT



**POLAR PT ENTRANCE/HWY 85/87**



**POLAR PT (PVT)**



**FOR LOCATING & MARKING GAS, ELECTRIC, WATER & TELEPHONE LINES**

**FOR BURIED UTILITY INFORMATION 48 HRS BEFORE YOU DIG CALL 1-800-922-1987**

<b>BRADLEY POINT FILING NO. 1</b>		<b>STREET IMPROVEMENT PLAN</b>	
212 N. WABATCH AVE, STE 303 COLORADO SPRINGS, CO 80903 PHONE: 719.555.5485		DATE: 08/21/2023	
PROJECT NO. 70-074		SCALE: HORIZONTAL: 1"=50' VERTICAL: 1"=5'	
DESIGNED BY: DM		SHEET 3 OF 5	
DRAWN BY: CLP		S103	
CHECKED BY: DM			

**CIVIL CONSULTANTS, INC.**

FOR AND ON BEHALF OF CIVIL CONSULTANTS, INC.	
REVISIONS:	DATE:
NO.	DATE:
BY:	DESCRIPTION:

THE ENGINEER PREPARING THESE PLANS WILL NOT BE RESPONSIBLE, OR LIABLE FOR, UNAUTHORIZED CHANGES TO OR USES OF THESE PLANS. ALL CHANGES TO THE PLANS MUST BE IN WRITING AND MUST BE APPROVED BY THE PREPARE OF THESE PLANS.

CAUTION

**ABBREVIATION LEGEND**

- CL CENTERLINE
- LT LEFT
- RT RIGHT
- C&G CURB AND GUTTER
- EL ELEVATION
- W WEST
- CONST CONSTRUCTION
- N NORTH
- WTR WATER
- S SOUTH
- STM STORM SEWER
- PUB PUBLIC
- EX EXISTING
- STA STATION
- NTS NOT TO SCALE
- PROP PROPOSED
- SAN SANITARY SEWER
- CDS CUL DE SAC
- CMD CHEROKEE METRO DISTRICT
- VAC VACATED
- EOC EDGE OF CONCRETE

**LEGEND**

- SS — EXISTING SAN SEWER
- GAS — EXISTING GAS MAIN
- GR — EXISTING GUARDRAIL
- OE — EXISTING OVERHEAD ELEC
- ⊗ EXISTING POWER POLE
- ⊕ EXISTING SIGN
- PROPOSED ASPHALT

**BRADLEY POINT FILING NO. 1**

**STREET IMPROVEMENT PLANS**

PROJECT NO. 70-074 DATE: 08/21/2023

SCALE: HORIZONTAL: 1"=50' VERTICAL: 1"=5'

DESIGNED BY: DM DRAWN BY: CLP CHECKED BY: DM

SHEET 4 OF 5 **S104**

212 N. WABATCH AVE, STE 305  
 COLORADO SPRINGS, CO 80903  
 PHONE: 719.555.5465

**CIVIL CONSULTANTS, INC.**

FOR AND ON BEHALF OF  
 VIRGIL A. SANCHEZ, INC.  
 CONSULTANTS,  
 INC.

VIRGIL A. SANCHEZ, COLORADO, P.E. NO. 37160

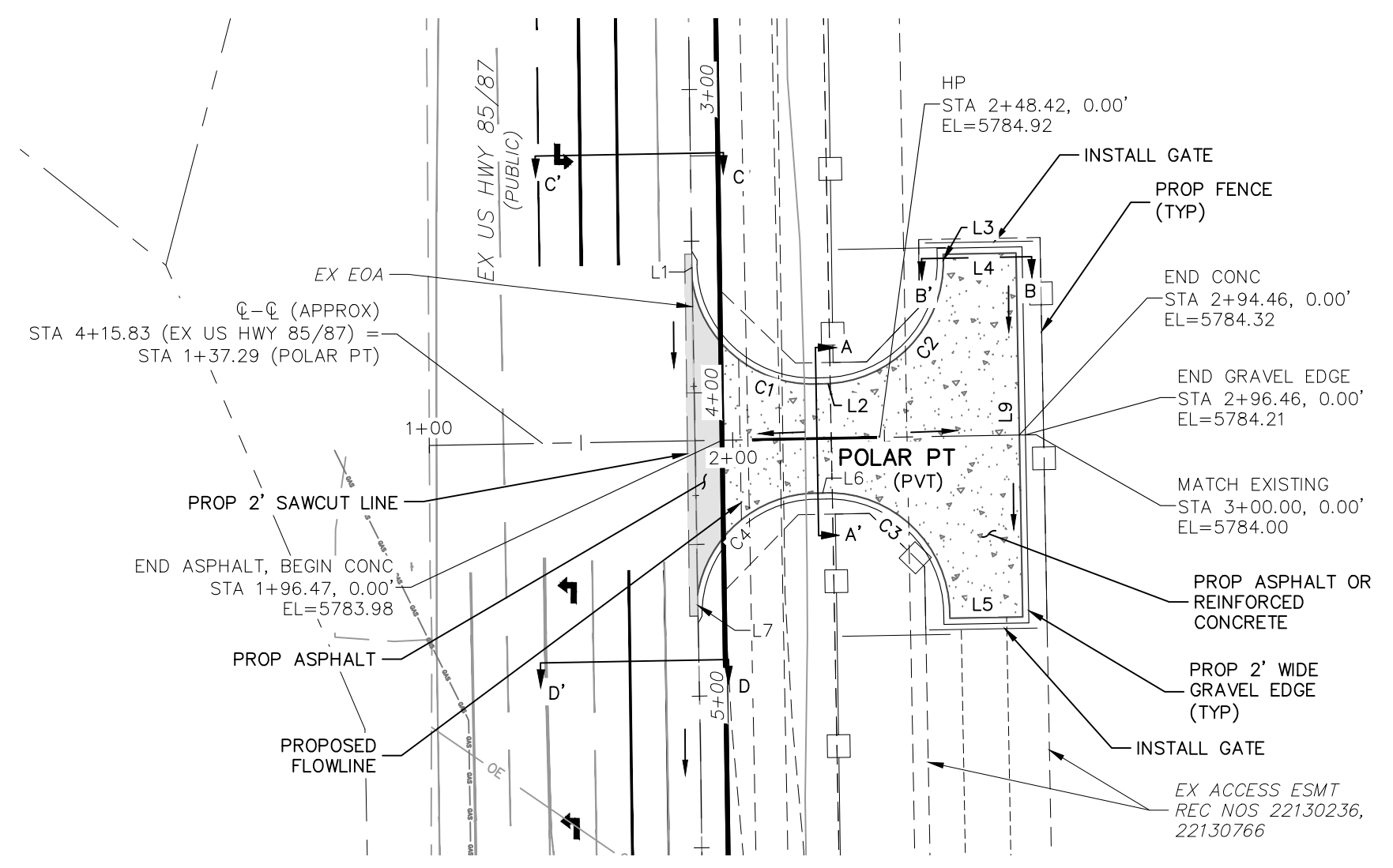
NO.	DATE	BY	DESCRIPTION

DATE: \_\_\_\_\_

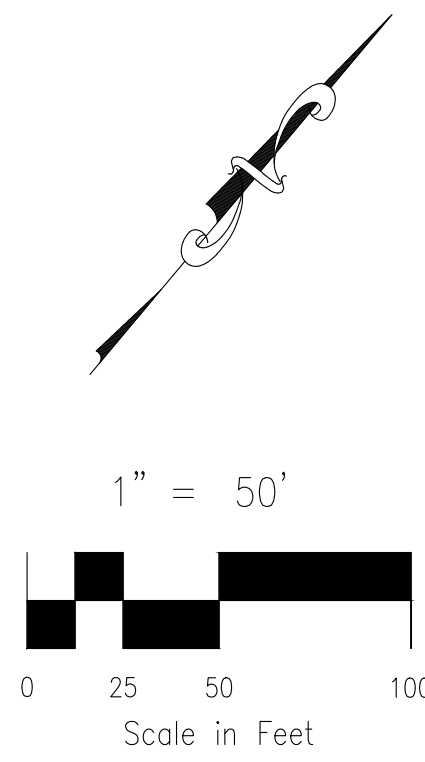
APPROVED BY: \_\_\_\_\_

THE ENGINEER PREPARING THESE PLANS WILL NOT BE RESPONSIBLE, OR LIABLE FOR, UNAUTHORIZED CHANGES TO OR USES OF THESE PLANS. ALL CHANGES TO THE PLANS MUST BE IN WRITING AND MUST BE APPROVED BY THE PREPARE OF THESE PLANS.

CAUTION



**POLAR POINT (PRIVATE)**  
 STA 1+00.00 TO STA 3+00.00  
 SCALE 1"=50'

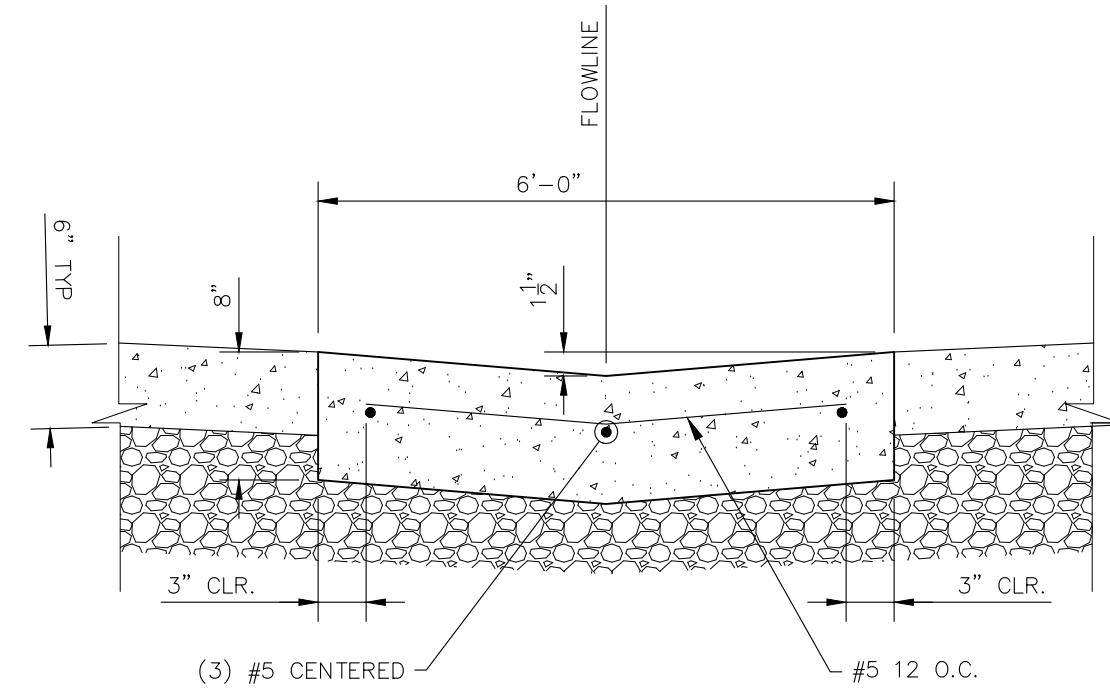


**EDGE OF ASPHALT LINE TABLE**

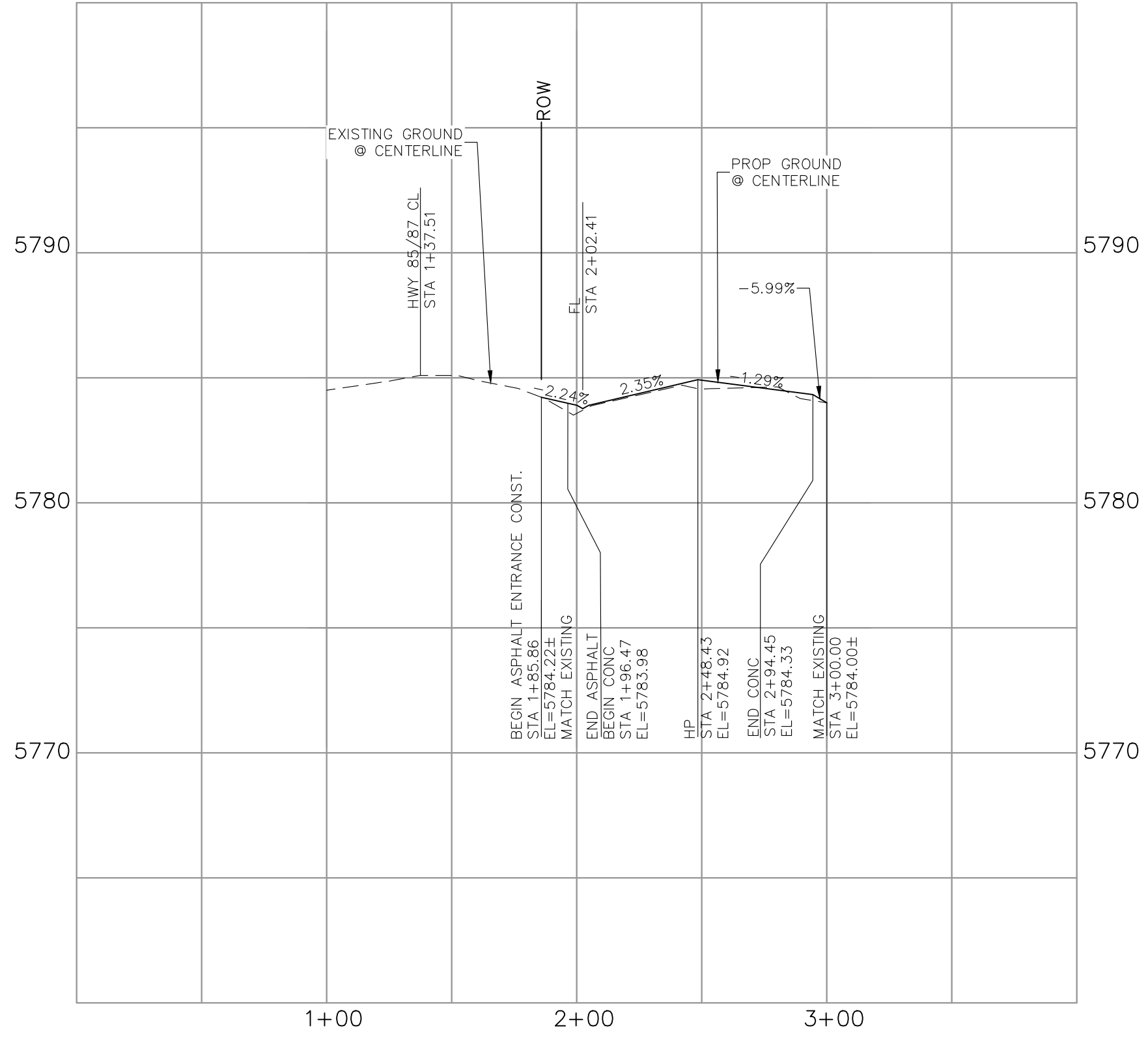
LINE	LENGTH	DIRECTION
L1	8.37	S41°02'42"E
L2	3.14	N48°59'12"E
L3	1.97	S41°03'20"E
L4	24.00	N48°59'12"E
L5	24.00	S48°59'12"W
L6	3.61	N48°59'12"E
L7	7.01	S40°51'18"E
L9	120.00	S41°03'20"E

**EDGE OF ASPHALT CURVE TABLE**

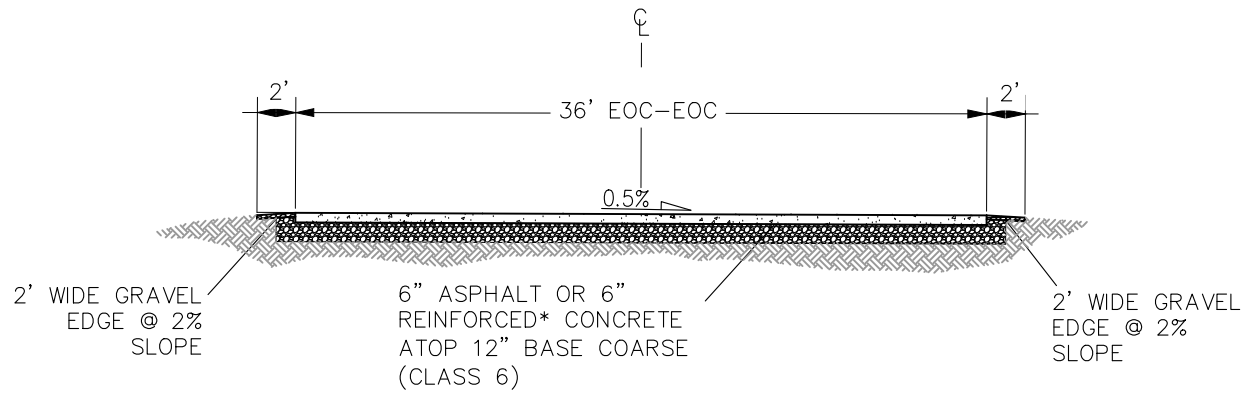
CURVE	LENGTH	RADIUS	DELTA
C1	62.92	40.00	90.13
C2	62.86	40.00	90.04
C3	62.82	40.00	89.98
C4	55.61	39.99	79.66



**CONCRETE DRIVEWAY GUTTER SECTION**  
 SCALE N.T.S.

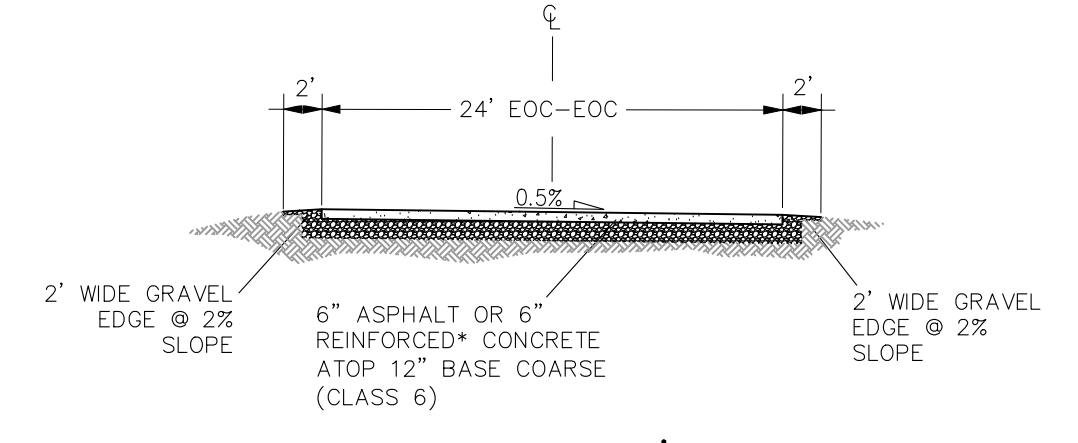


**POLAR POINT CENTERLINE**



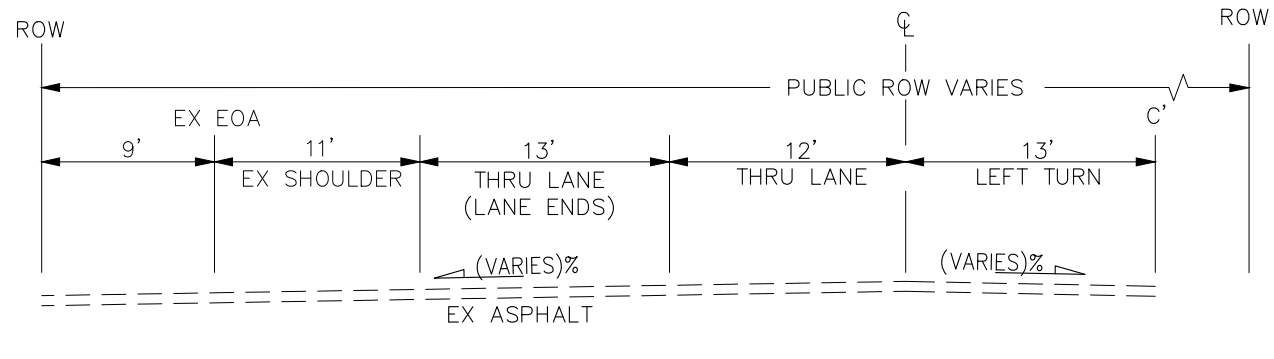
**SECTION A-A'**  
**POLAR PT (PRIVATE) 36' MAT**  
 SCALE: NTS

\* CONCRETE PAVEMENT WILL REQUIRE #5 REBAR AT 12" O.C. E.W. (TYP.)

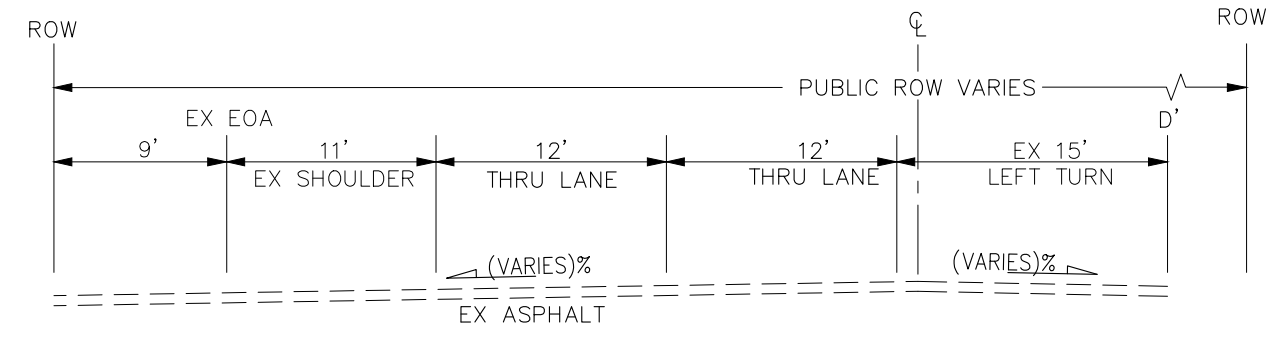


**SECTION B-B'**  
**POLAR PT (PRIVATE) 24' MAT**  
 SCALE: NTS

\* CONCRETE PAVEMENT WILL REQUIRE #5 REBAR AT 12" O.C. E.W. (TYP.)



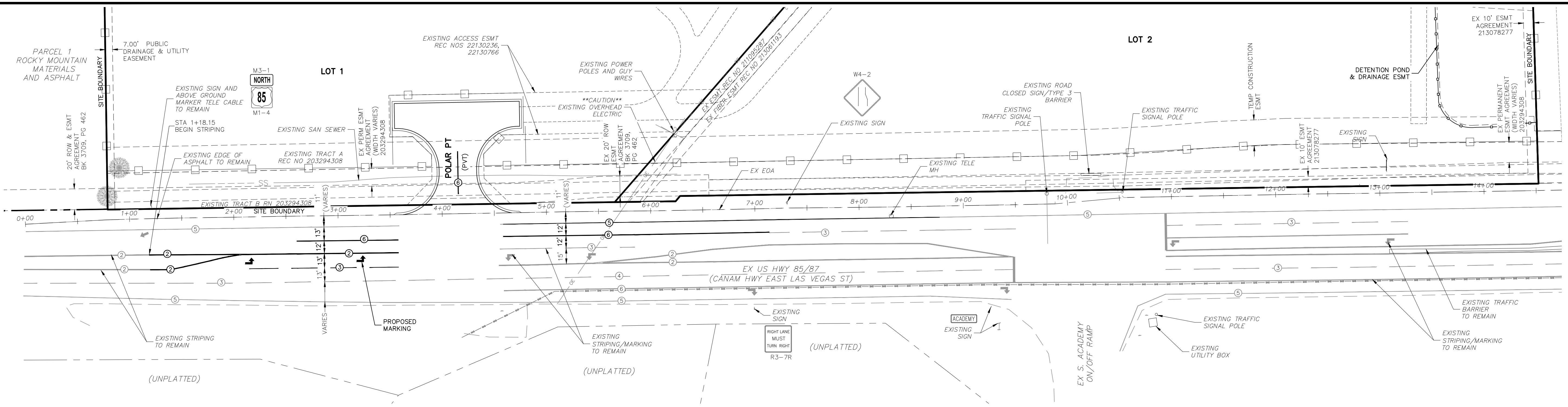
**SECTION C-C'**  
**EX US HWY 85/87**  
 SCALE: NTS



**SECTION D-D'**  
**EX US HWY 85/87**  
 SCALE: NTS

FOR LOCATING & MARKING GAS, ELECTRIC, WATER & TELEPHONE LINES

FOR BURIED UTILITY INFORMATION  
**48 HRS BEFORE YOU DIG**  
 CALL 1-800-922-1987



**SIGNAGE AND STRIPING PLAN**

For information only / CDOT approval required

Noted

STRIPING LEGEND		
STRIPE	PAVEMENT MARKINGS	MARKING DESCRIPTION
①	2-WAY LEFT TURN LANE MARKINGS (EPOXY)	OUTSIDE: SOLID YELLOW, 4" WIDE, INSIDE: BROKEN YELLOW, 4" WIDE, 10' SEGMENTS WITH 30" GAPS
②	2-WAY CENTERLINE LANE MARKINGS (EPOXY)	PARALLEL SOLID YELLOW, 4" WIDE, 4" APART
③	LANES (EPOXY)	BROKEN WHITE, 8" WIDE, 10' SEGMENTS WITH 30" GAPS
④	BROKEN EDGE (EPOXY)	BROKEN WHITE, 4" WIDE, 5' SEGMENTS WITH 15" GAPS
⑤	EDGE/BIKE LANE LINES (EPOXY)	SOLID WHITE, 4" WIDE
⑥	CHANNELIZING LINES (EPOXY)	SOLID WHITE, 8" WIDE
⑦	STOP LINES (THERMO PLASTIC)	SOLID WHITE, 24" WIDE
⑧	CHEVRON/DIAGONAL CROSSHATCH	SOLID WHITE, 6" WIDE
⑨	CHEVRON/DIAGONAL CROSSHATCH	SOLID YELLOW, 8" WIDE
⑩	STOP BAR	SOLID WHITE, 24" WIDE

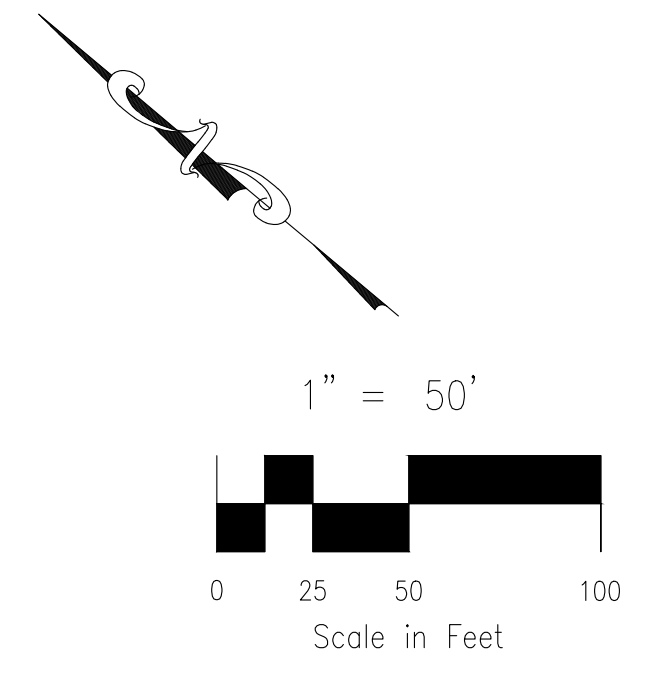
NOTE: ALL STRIPING INSTALLATION SHALL BE PER COLORADO DEPARTMENT OF TRANSPORTATION (CDOT) "M&S STANDARDS" STANDARD PLAN NO. S-627-1.

**ABBREVIATION LEGEND**

- CL CENTERLINE
- LT LEFT
- RT RIGHT
- C&G CURB AND GUTTER
- EL ELEVATION
- W WEST
- CONST CONSTRUCTION
- N NORTH
- WTR WATER
- S SOUTH
- STM STORM SEWER
- PUB PUBLIC
- EX EXISTING
- STA STATION
- NTS NOT TO SCALE
- PROP PROPOSED
- SAN SANITARY SEWER
- CDS CUL DE SAC
- CMD CHEROKEE METRO DISTRICT
- VAC VACATED

FOR LOCATING & MARKING GAS, ELECTRIC, WATER & TELEPHONE LINES

FOR BURIED UTILITY INFORMATION  
**48 HRS BEFORE YOU DIG**  
 CALL 1-800-922-1987



**BRADLEY POINT FILING NO. 1**

**STRIPING AND SIGNAGE PLAN**

PROJECT NO. 70-074  
 SCALE: HORIZONTAL: 1"=50'  
 VERTICAL: N/A

DESIGNED BY: DM  
 DRAWN BY: CLP  
 CHECKED BY: DM

DATE: 08/21/2023  
 SHEET 5 OF 5  
**S105**

212 N. WAHATCH AVE, SUITE 305  
 COLORADO SPRINGS, CO 80903  
 PHONE: 719.555.5485

**CIVIL CONSULTANTS, INC.**

VIRGIL A. SANCHEZ, COLORADO, P.E. NO. 37160

FOR AND ON BEHALF OF M&S CIVIL CONSULTANTS, INC.

NO.	DATE	BY	DESCRIPTION	APPROVED BY	DATE

THE ENGINEER PREPARING THESE PLANS WILL NOT BE RESPONSIBLE, OR LIABLE FOR, UNAUTHORIZED CHANGES TO OR USES OF THESE PLANS. ALL CHANGES TO THE PLANS MUST BE IN WRITING AND MUST BE APPROVED BY THE PREPARED BY THESE PLANS.

CAUTION