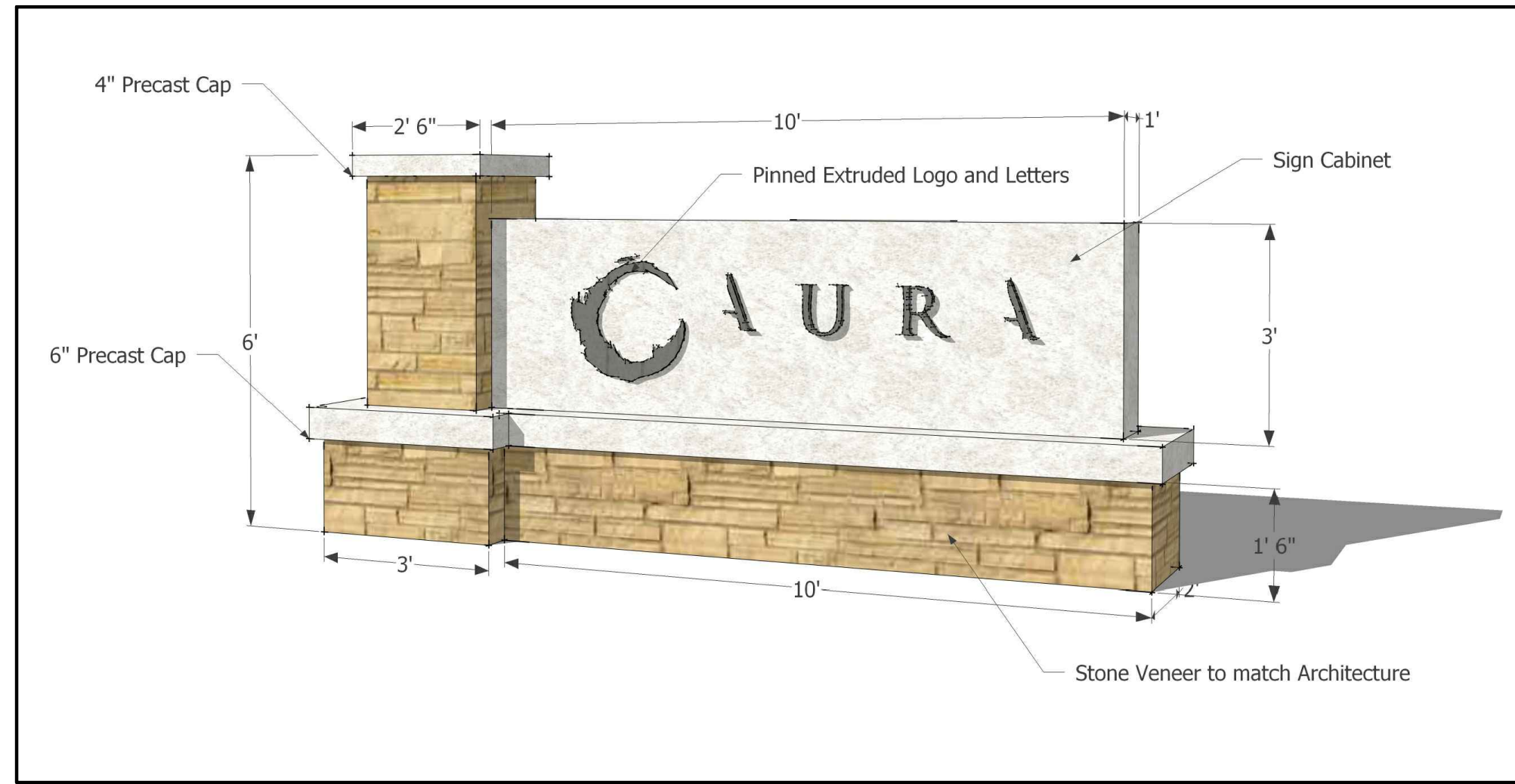
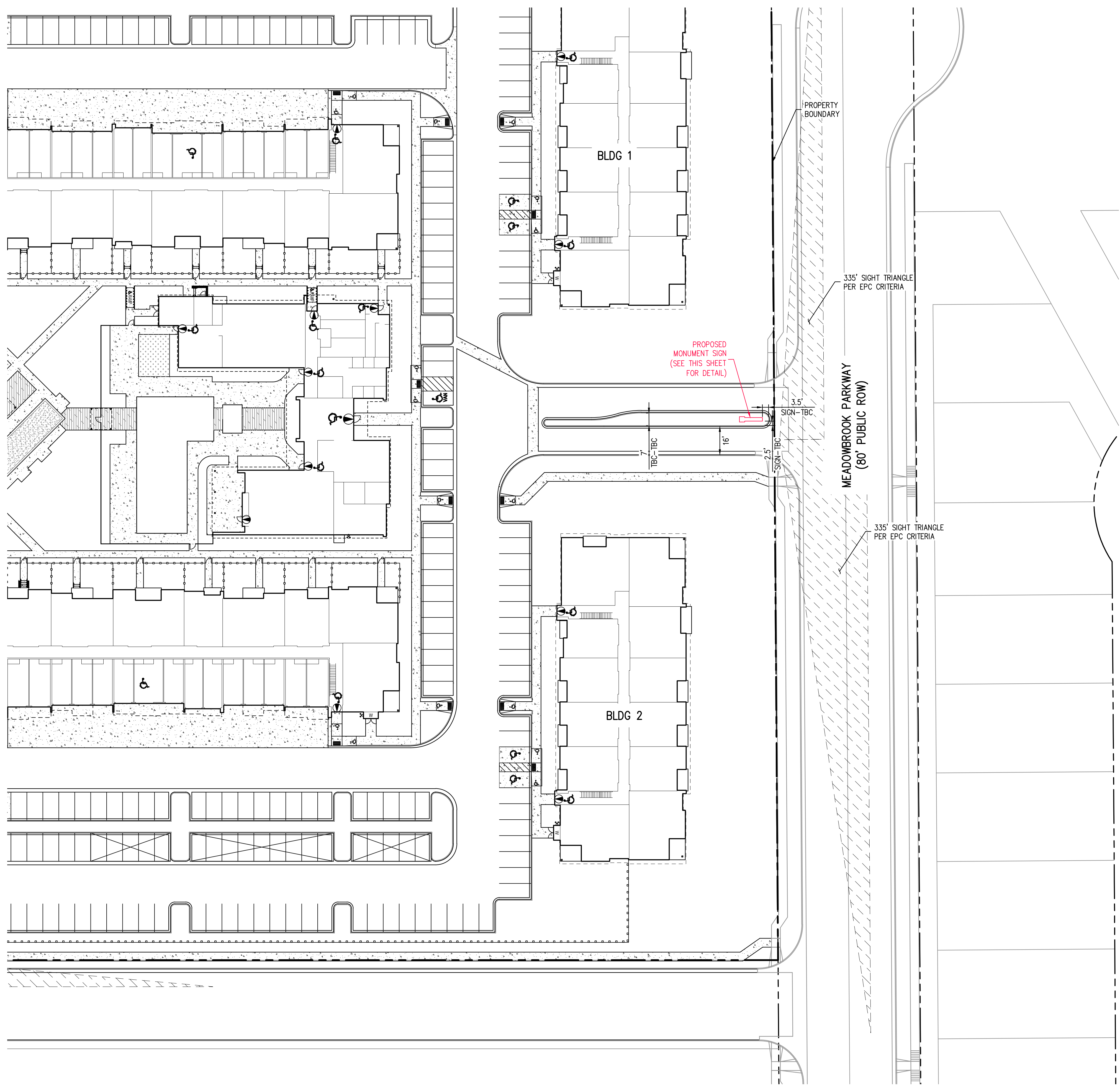
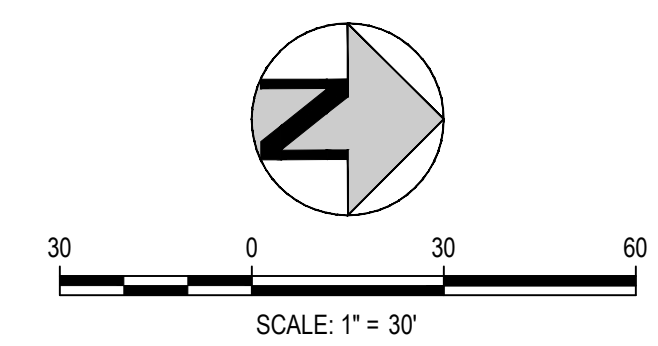


NO CHANGES ARE TO BE MADE TO THIS DRAWING WITHOUT WRITTEN PERMISSION OF HARRIS KOCHER SMITH.



PROPOSED MONUMENT SIGN DETAIL
N.T.S.

Filepath: \\20082\ENGINEERING\4817\CROSSROADS - SIGNAGE PL AND DWG Layout LAYOUT1
Project: 11E 002421 01.07.2017 By: Ekim, Mark



AURA AT CROSSROADS - SIGNAGE PLAN
SCALE: 1" = 30'