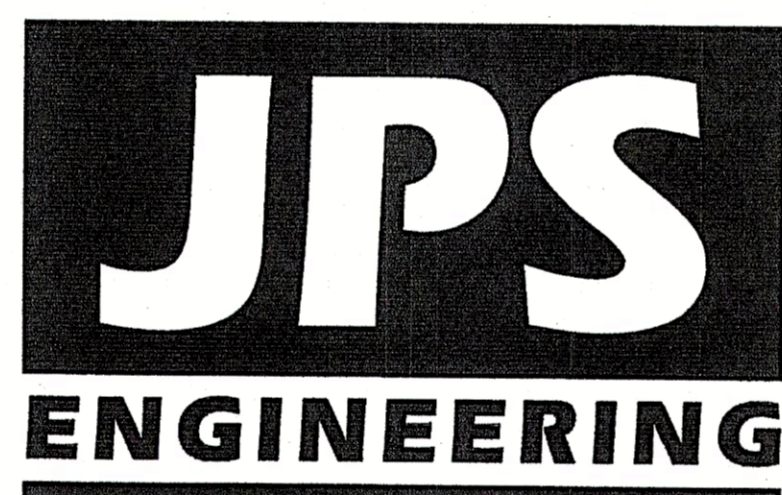


Struthers Ranch Polaris Grading & Erosion Control Plans El Paso County, Colorado

PREPARED FOR:
HAMMERS CONSTRUCTION
1411 Woolsey Heights
Colorado Springs, CO 80915

PREPARED BY:



PREPARED BY:
19 East Willamette Avenue
Colorado Springs, Colorado 80903
April, 2023

AGENCIES/CONTACTS

DEVELOPER:	HAMMERS CONSTRUCTION 1411 WOOLSEY HEIGHTS COLORADO SPRINGS, CO 80915 MR. RANDY MAXWELL (719) 570-1599	WATER/WASTEWATER:	DONALA WATER & SANITATION DISTRICT 15850 HOLBEIN DR. COLORADO SPRINGS, CO 80921 (719)488-3603
CIVIL ENGINEER:	JPS ENGINEERING, INC. 19 E. WILLAMETTE AVENUE COLORADO SPRINGS, CO 80903 MR. JOHN P. SCHWAB, P.E. (719)477-9429	GAS DEPARTMENT:	BLACK HILLS ENERGY MR. SEBASTIAN SCHWENDER (719)399-3176
LOCAL ROADS & DRAINAGE:	EL PASO COUNTY PCD 2880 INTERNATIONAL CIRCLE COLORADO SPRINGS, CO 80910 (719)520-6300	ELECTRIC DEPARTMENT:	MOUNTAIN VIEW ELECTRIC ASSOCIATION 11140 E. WOODMEN ROAD COLORADO SPRINGS, CO 80908 MR. DAVE WALDNER (719)495-2283
		TELEPHONE COMPANY:	CENTURY LINK COMMUNICATIONS (LOCATORS) (800)922-1987 A.T. & T. (LOCATORS) (719)635-3674

GEC PLAN SHEET INDEX

C1.0	GEC PLAN TITLE SHEET
G2	GENERAL NOTES & LEGEND
C3.1	SITE GRADING & EROSION CONTROL PLAN
C3.1	DETENTION POND PLAN & DETAILS
C4.1	CIVIL & EROSION CONTROL DETAILS
C4.2	EROSION CONTROL NOTES & DETAILS
C5.1	STRUTHERS ROAD LINE OF SIGHT EXHIBIT

ENGINEER:

DESIGN ENGINEER'S STATEMENT:

THIS GRADING AND EROSION CONTROL PLAN WAS PREPARED UNDER MY DIRECTION AND IS CORRECT TO THE BEST OF MY KNOWLEDGE AND BELIEF. SAID PLAN HAS BEEN PREPARED AND APPROVED TO THE CRITERIA ESTABLISHED BY THE COUNTY FOR GRADING AND EROSION CONTROL PLANS. I ACCEPT RESPONSIBILITY FOR LIABILITY CAUSED BY NEGLIGENT ACTS, ERRORS OR OMISSIONS ON MY PART IN PREPARING SAID PLAN.

John P. Schwab 4/7/23
JOHN P. SCHWAB, P.E. #29891 DATE

OWNER/DEVELOPER'S STATEMENT:

I, THE OWNER/DEVELOPER HAVE READ AND WILL COMPLY WITH THE REQUIREMENTS OF THE GRADING AND EROSION CONTROL PLAN.

Randy Maxwell 4-12-23
OWNER SIGNATURE DATE

NAME: HAMMERS CONSTRUCTION
ADDRESS: 1411 WOOLSEY HEIGHTS
COLORADO SPRINGS, CO 80915
PHONE: (719) 570-1599 EMAIL: rmaxwell@hammersconstruction.com

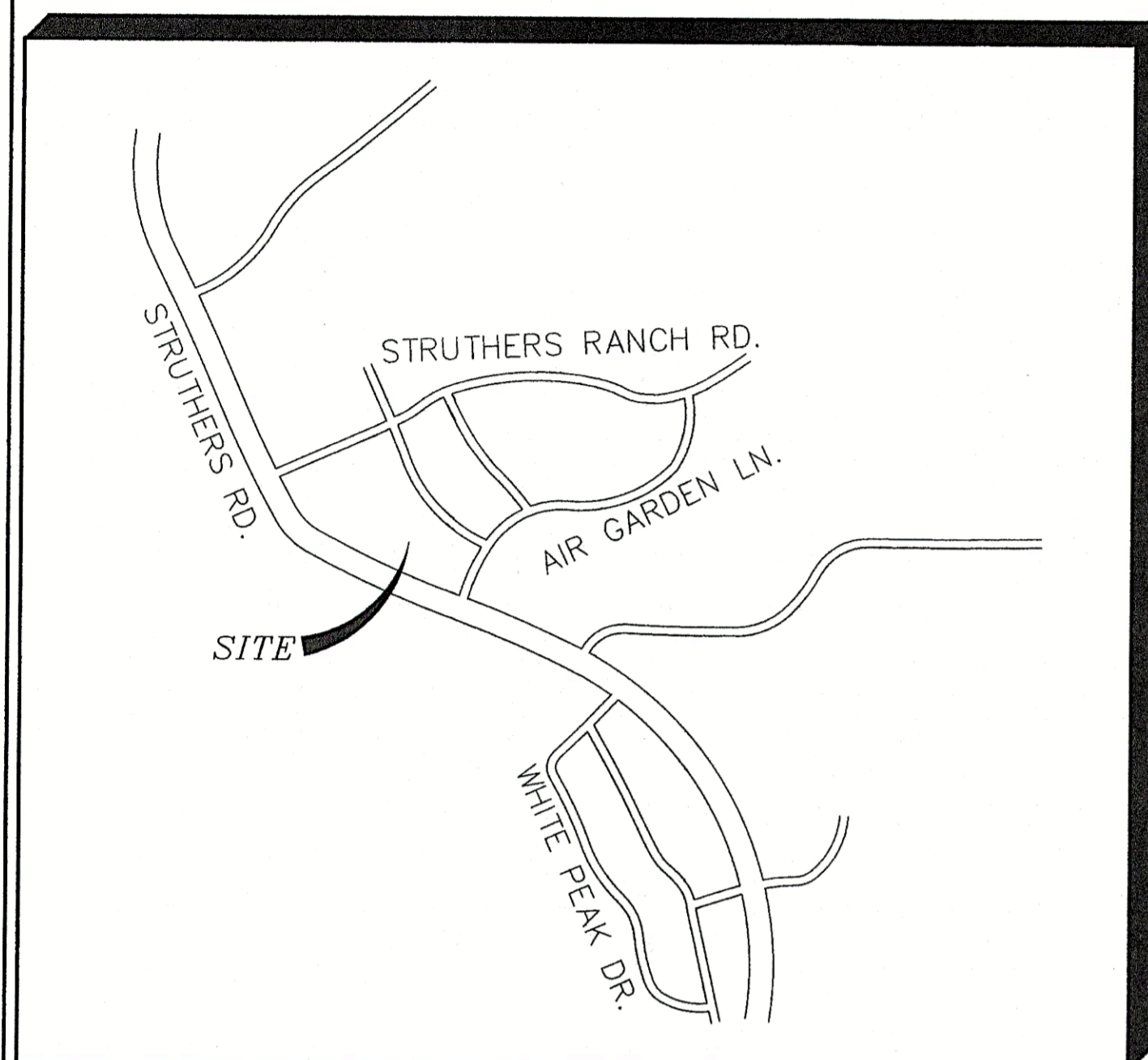
EL PASO COUNTY:

COUNTY PLAN REVIEW IS PROVIDED ONLY FOR GENERAL CONFORMANCE WITH COUNTY DESIGN CRITERIA. THE COUNTY IS NOT RESPONSIBLE FOR THE ACCURACY AND ADEQUACY OF THE DESIGN, DIMENSIONS, AND/OR ELEVATIONS WHICH SHALL BE CONFIRMED AT THE JOB SITE. THE COUNTY THROUGH THE APPROVAL OF THIS DOCUMENT ASSUMES NO RESPONSIBILITY FOR COMPLETENESS AND/OR ACCURACY OF THIS DOCUMENT.

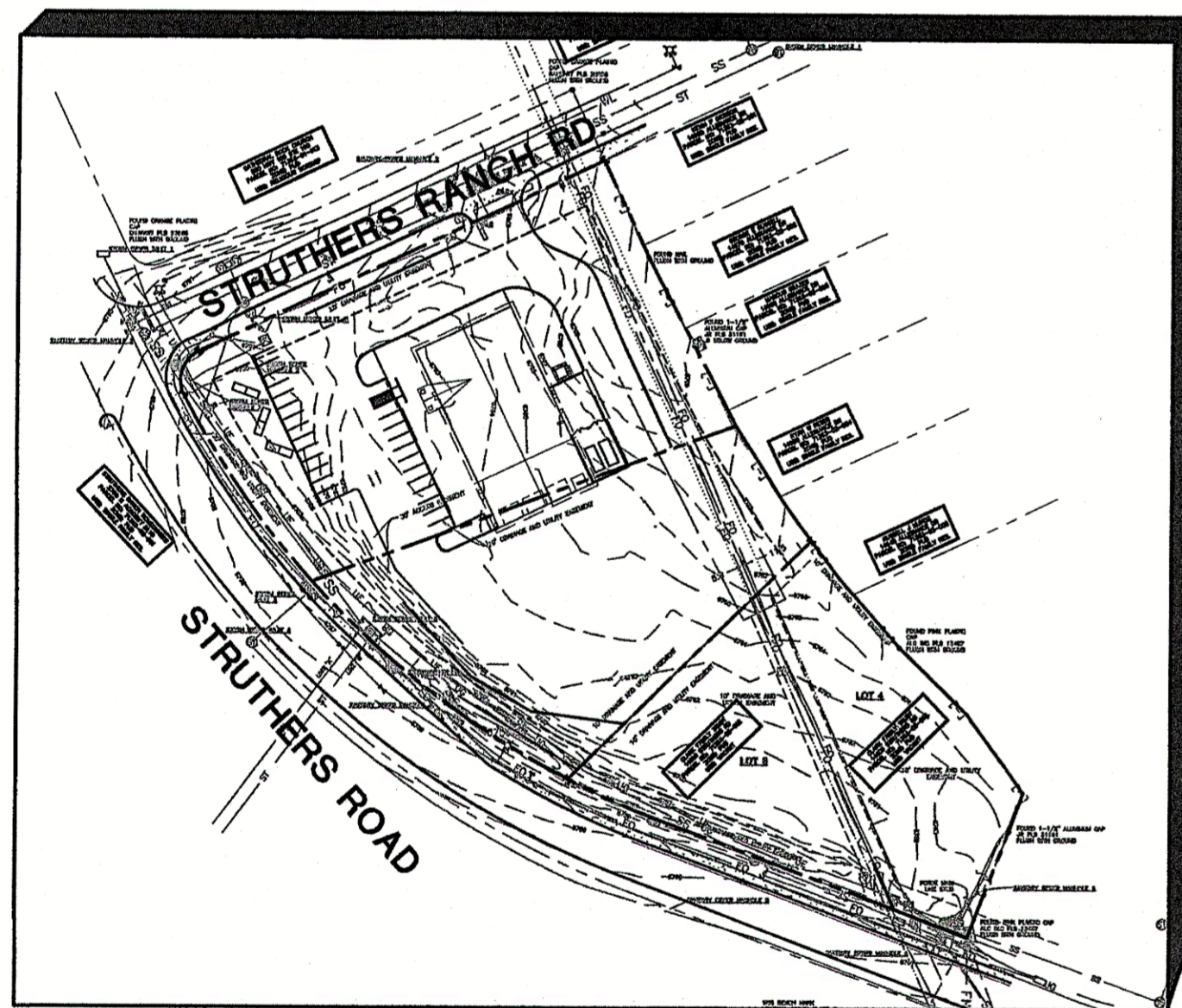
FILED IN ACCORDANCE WITH THE REQUIREMENTS OF THE EL PASO COUNTY LAND DEVELOPMENT CODE, DRAINAGE CRITERIA MANUAL, VOLUMES 1 AND 2, AND ENGINEERING CRITERIA MANUAL AS AMENDED.

IN ACCORDANCE WITH ECM SECTION 1.12, THESE CONSTRUCTION DOCUMENTS WILL BE VALID FOR CONSTRUCTION FOR A PERIOD OF 2 YEARS FROM THE DATE SIGNED BY THE EL PASO COUNTY ENGINEER. IF CONSTRUCTION HAS NOT STARTED WITHIN THOSE 2 YEARS, THEY WILL NEED TO BE RESUBMITTED FOR APPROVAL, INCLUDING PAYMENT OF REVIEW FEES AT THE PLANNING AND COMMUNITY DEVELOPMENT DIRECTOR'S DISCRETION.

Joshua Palmer _____ DATE
JOSHUA PALMER, P.E.,
COUNTY ENGINEER / ECM ADMINISTRATOR



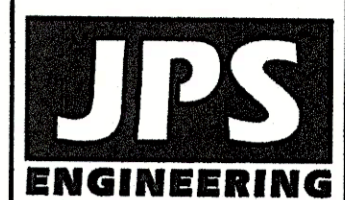
VICINITY MAP
NOT TO SCALE



SITE MAP
NTS

BENCHMARK
SOUTHWEST OF SOUTHERLY CORNER
ELEV. 6707.46'(NAVD-1988)

STRUTHERS RANCH POLARIS
LOTS 1-2, STRUTHERS RANCH SUBDIVISION FILING NO. 4
GEC PLAN
TITLE SHEET



19 E. Willamette Ave.
Colorado Springs, CO
80903

PH: 719-477-9429
FAX: 719-471-0766
www.jpseng.com



CALL UTILITY NOTIFICATION
CENTER OF COLORADO
1-800-922-1987
CALL 2-BUSINESS DAYS IN ADVANCE
BEFORE THE MARKING OF UNDERGROUND
MEMBER UTILITIES

NO.	REVISION	BY	DATE
1	EPC SUBMITTAL		08/10/22
2	EPC COMMENTS		10/21/22
3	EPC COMMENTS		03/28/23
4	EPC COMMENTS		04/07/23

HORIZ. SCALE:	N/A	DRAWN:	PV
VERT. SCALE:	N/A	DESIGNED:	JPS
SURVEYED:	N/A	CHECKED:	JPS
CREATED:	05/27/20	LAST MODIFIED:	04/07/23
PROJECT NO:	032203	MODIFIED BY:	PV
SHEET:			

PCD FILE NO. PPR2248

C1.0

COUNTY GENERAL NOTES:

- ALL DRAINAGE AND ROADWAY CONSTRUCTION SHALL MEET THE STANDARDS AND SPECIFICATIONS OF THE CITY OF COLORADO SPRINGS/EL PASO COUNTY DRAINAGE CRITERIA MANUAL, VOLUMES 1 AND 2, AND THE EL PASO COUNTY ENGINEERING CRITERIA MANUAL.
- CONTRACTOR SHALL BE RESPONSIBLE FOR THE NOTIFICATION AND FIELD LOCATION OF ALL EXISTING UTILITIES, WHETHER SHOWN ON THE PLANS OR NOT, BEFORE BEGINNING CONSTRUCTION. LOCATION OF EXISTING UTILITIES SHALL BE VERIFIED BY THE CONTRACTOR PRIOR TO CONSTRUCTION. CALL 811 TO CONTACT THE UTILITY NOTIFICATION CENTER OF COLORADO (UNCC).
- CONTRACTOR SHALL KEEP A COPY OF THESE APPROVED PLANS, THE GRADING AND EROSION CONTROL PLAN, THE STORMWATER MANAGEMENT PLAN (SWMP), THE SOILS AND GEOTECHNICAL REPORT, AND THE APPROPRIATE DESIGN AND CONSTRUCTION STANDARDS AND SPECIFICATIONS AT THE JOB SITE AT ALL TIMES, INCLUDING THE FOLLOWING:
 - EL PASO COUNTY ENGINEERING CRITERIA MANUAL (ECM)
 - CITY OF COLORADO SPRINGS/EL PASO COUNTY DRAINAGE CRITERIA MANUAL, VOLUMES 1 AND 2
 - COLORADO DEPARTMENT OF TRANSPORTATION (CDOT) STANDARD SPECIFICATIONS FOR ROAD AND BRIDGE CONSTRUCTION
 - CDOT M & S STANDARDS
- NOTWITHSTANDING ANYTHING DEPICTED IN THESE PLANS IN WORDS OR GRAPHIC REPRESENTATION, ALL DESIGN AND CONSTRUCTION RELATED TO ROADS, STORM DRAINAGE AND EROSION CONTROL SHALL CONFORM TO THE STANDARDS AND REQUIREMENTS OF THE MOST RECENT VERSION OF THE RELEVANT ADOPTED EL PASO COUNTY STANDARDS, INCLUDING THE LAND DEVELOPMENT CODE, THE DRAINAGE CRITERIA MANUAL, AND THE DRAINAGE CRITERIA MANUAL VOLUME 2. ANY DEVIATIONS FROM REGULATIONS AND STANDARDS MUST BE REQUESTED, AND APPROVED, IN WRITING. ANY MODIFICATIONS NECESSARY TO MEET CRITERIA AFTER-THE-FACT WILL BE ENTIRELY THE DEVELOPER'S RESPONSIBILITY TO RECTIFY.
- IT IS THE DESIGN ENGINEER'S RESPONSIBILITY TO ACCURATELY SHOW EXISTING CONDITIONS, BOTH ONSITE AND OFFSITE, ON THE CONSTRUCTION PLANS. ANY MODIFICATIONS NECESSARY DUE TO CONFLICTS, OMISSIONS, OR CHANGED CONDITIONS WILL BE ENTIRELY THE DEVELOPER'S RESPONSIBILITY TO RECTIFY.
- CONTRACTOR SHALL SCHEDULE A PRE-CONSTRUCTION MEETING WITH EL PASO COUNTY PLANNING AND COMMUNITY DEVELOPMENT (PCD) - INSPECTIONS, PRIOR TO STARTING CONSTRUCTION.
- IT IS THE CONTRACTOR'S RESPONSIBILITY TO UNDERSTAND THE REQUIREMENTS OF ALL JURISDICTIONAL AGENCIES AND TO OBTAIN ALL REQUIRED PERMITS, INCLUDING BUT NOT LIMITED TO EL PASO COUNTY EROSION AND STORMWATER QUALITY CONTROL PERMIT (ESQCP), REGIONAL BUILDING FLOODPLAIN DEVELOPMENT PERMIT, U.S. ARMY CORPS OF ENGINEERS-ISSUED 401 AND/OR 404 PERMITS, AND COUNTY AND STATE FUGITIVE DUST PERMITS.
- CONTRACTOR SHALL NOT DEVIATE FROM THE PLANS WITHOUT FIRST OBTAINING WRITTEN APPROVAL FROM THE DESIGN ENGINEER AND PCD. CONTRACTOR SHALL NOTIFY THE DESIGN ENGINEER IMMEDIATELY UPON DISCOVERY OF ANY ERRORS OR INCONSISTENCIES.
- ALL STORM DRAIN PIPE SHALL BE CLASS III RCP WITH CLASS B BEDDING UNLESS OTHERWISE NOTED AND APPROVED BY PCD.
- CONTRACTOR SHALL COORDINATE GEOTECHNICAL TESTING PER ECM STANDARDS. PAVEMENT DESIGN SHALL BE APPROVED BY EL PASO COUNTY PCD PRIOR TO PLACEMENT OF CURB AND GUTTER AND PAVEMENT.
- ALL CONSTRUCTION TRAFFIC MUST ENTER/EXIT THE SITE AT APPROVED CONSTRUCTION ACCESS POINTS.
- SIGHT VISIBILITY TRIANGLES AS IDENTIFIED IN THE PLANS SHALL BE PROVIDED AT ALL INTERSECTIONS. OBSTRUCTIONS GREATER THAN 18 INCHES ABOVE FLOWLINE ARE NOT ALLOWED WITHIN SIGHT TRIANGLES.
- SIGNING AND STRIPING SHALL COMPLY WITH EL PASO COUNTY DPW (DEPT. OF PUBLIC WORKS) AND MUTCD CRITERIA.
- CONTRACTOR SHALL OBTAIN ANY PERMITS REQUIRED BY EL PASO COUNTY DPW, INCLUDING WORK WITHIN THE RIGHT-OF-WAY AND SPECIAL TRANSPORT PERMITS.
- THE LIMITS OF CONSTRUCTION SHALL REMAIN WITHIN THE PROPERTY LINE UNLESS OTHERWISE NOTED. THE OWNER/DEVELOPER SHALL OBTAIN WRITTEN PERMISSION AND EASEMENTS, WHERE REQUIRED, FROM ADJOINING PROPERTY OWNER(S) PRIOR TO ANY OFF-SITE DISTURBANCE, GRADING, OR CONSTRUCTION.

GENERAL DRAINAGE NOTES:

- INDIVIDUAL BUILDERS SHALL PROVIDE POSITIVE DRAINAGE AWAY FROM STRUCTURES AND ACCOUNT FOR POTENTIAL CROSS-LOT DRAINAGE IMPACTS WITHIN EACH LOT.
- BUILDERS AND PROPERTY OWNERS SHALL IMPLEMENT & MAINTAIN EROSION CONTROL BEST MANAGEMENT PRACTICES FOR PROTECTION OF DOWNSTREAM PROPERTIES AND FACILITIES INCLUDING PROTECTION OF EXISTING GRASS BUFFER STRIPS ALONG THE DOWNSTREAM PROPERTY BOUNDARIES.
- GRADING AND DRAINAGE WITHIN LOTS IS THE RESPONSIBILITY OF THE INDIVIDUAL BUILDERS AND PROPERTY OWNERS.

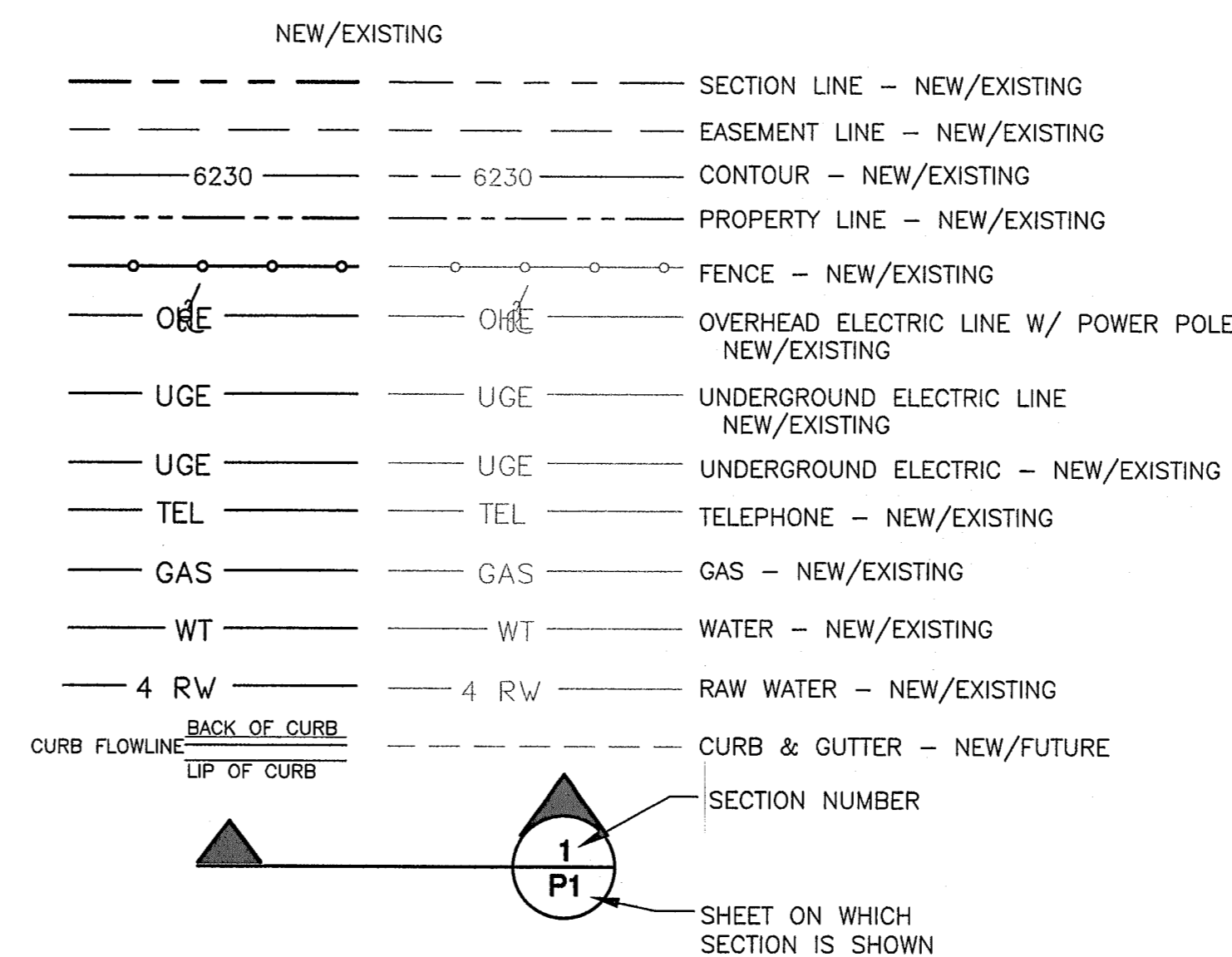
COUNTY SIGNING AND STRIPING NOTES:

- ALL SIGNS AND PAVEMENT MARKINGS SHALL BE IN COMPLIANCE WITH THE CURRENT MANUAL ON UNIFORM TRAFFIC CONTROL DEVICES (MUTCD).
- REMOVAL OF EXISTING PAVEMENT MARKINGS SHALL BE ACCOMPLISHED BY A METHOD THAT DOES NOT MATERIALLY DAMAGE THE PAVEMENT. THE PAVEMENT MARKINGS SHALL BE REMOVED TO THE EXTENT THAT THEY WILL NOT BE VISIBLE UNDER DAY OR NIGHT CONDITIONS. AT NO TIME WILL IT BE ACCEPTABLE TO PAINT OVER EXISTING PAVEMENT MARKINGS.
- ANY DEVIATION FROM THE STRIPING AND SIGNING PLAN SHALL BE APPROVED BY EL PASO COUNTY.
- ALL SIGNS SHOWN ON THE SIGNING AND STRIPING PLAN SHALL BE NEW SIGNS. EXISTING SIGNS MAY REMAIN OR BE REUSED IF THEY MEET CURRENT EL PASO COUNTY AND MUTCD STANDARDS.
- STREET NAME AND REGULATORY STOP SIGNS SHALL BE ON THE SAME POST AT INTERSECTIONS.
- ALL REMOVED SIGNS SHALL BE DISPOSED OF IN A PROPER MANNER BY THE CONTRACTOR.
- ALL STREET NAME SIGNS SHALL HAVE "D" SERIES LETTERS, WITH LOCAL ROADWAY SIGNS BEING 4" UPPER-LOWER CASE LETTERING ON 8" BLANK AND NON-LOCAL ROADWAY SIGNS BEING 8" LETTERING, UPPER-LOWER CASE ON 12" BLANK, WITH WHITE BORDER THAT IS NOT RECESSED. MULTI-LANE ROADWAYS WITH SPEED LIMITS OF 40 MPH OR HIGHER SHALL HAVE 8" UPPER-LOWER CASE LETTERING ON 18" BLANK WITH A WHITE BORDER THAT IS NOT RECESSED. THE WIDTH OF THE NON-RECESSED WHITE BORDERS SHALL MATCH PAGE 255 OF THE 2012 MUTCD "STANDARD HIGHWAY SIGNS".
- ALL TRAFFIC SIGNS SHALL HAVE A MINIMUM HIGH INTENSITY PRISMATIC GRADE SHEETING.
- ALL LOCAL RESIDENTIAL STREET SIGNS SHALL BE MOUNTED ON A 1.75" X 1.75" SQUARE TUBE SIGN POST AND STUB POST BASE. FOR OTHER APPLICATIONS, REFER TO THE CDOT STANDARD S-614-8 REGARDING USE OF THE P2 TUBULAR STEEL POST SLIPBASE DESIGN.
- ALL SIGNS SHALL BE SINGLE SHEET ALUMINUM WITH 0.100" MINIMUM THICKNESS.
- ALL LIMIT LINES/STOP LINES, CROSSWALK LINES, PAVEMENT LEGENDS, AND ARROWS SHALL BE A MINIMUM 125 MIL THICKNESS PREFORMED THERMOPLASTIC PAVEMENT MARKINGS WITH TAPERED LEADING EDGES PER CDOT STANDARD S-627-1. WORD AND SYMBOL MARKINGS SHALL BE THE NARROW TYPE. STOP BARS SHALL BE 24" IN WIDTH. CROSSWALKS LINES SHALL BE 12" WIDE AND 8' LONG PER CDOT S-627-1.
- ALL LONGITUDINAL LINES SHALL BE A MINIMUM 15MIL THICKNESS EPOXY PAINT. ALL NON-LOCAL RESIDENTIAL ROADWAYS SHALL INCLUDE BOTH RIGHT AND LEFT EDGE LINE STRIPING AND ANY ADDITIONAL STRIPING AS REQUIRED BY CDOT S-627-1.
- THE CONTRACTOR SHALL NOTIFY EL PASO COUNTY (719) 520-6819 PRIOR TO AND UPON COMPLETION OF SIGNING AND STRIPING.
- THE CONTRACTOR SHALL OBTAIN A WORK IN THE RIGHT OF WAY PERMIT FROM THE EL PASO COUNTY DEPARTMENT OF PUBLIC WORKS PRIOR TO ANY SIGNAGE OR STRIPING WORK WITHIN AN EXISTING EL PASO COUNTY ROADWAY.

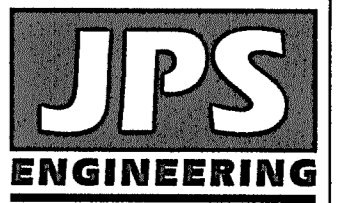
PROJECT GENERAL NOTES:

- THE CONTRACTOR SHALL BE RESPONSIBLE FOR THE NOTIFICATION AND FIELD LOCATION OF ALL EXISTING UTILITIES, WHETHER SHOWN ON THE PLANS OR NOT, BEFORE BEGINNING CONSTRUCTION. LOCATION OF EXISTING UTILITIES SHALL BE VERIFIED BY THE CONTRACTOR PRIOR TO ACTUAL CONSTRUCTION.
- EXISTING CONTOUR DATA PROVIDED BY OWNER CONSISTS OF SITE SURVEY FROM COMPASS LAND SURVEYING. JPS ENGINEERING TAKES NO RESPONSIBILITY FOR THE ACCURACY OF EXISTING TOPOGRAPHIC MAPPING.
- THE CONTRACTOR SHALL HAVE ONE (1) SIGNED COPY OF THESE APPROVED PLANS AND ONE (1) COPY OF THE APPROPRIATE DESIGN AND CONSTRUCTION STANDARDS AND SPECIFICATIONS AT THE JOB SITE AT ALL TIMES:
 - EL PASO COUNTY ENGINEERING CRITERIA MANUAL
 - CDOT STANDARD SPECIFICATIONS FOR ROAD & BRIDGE CONSTRUCTION
 - DONALA WATER & SANITATION DISTRICT STANDARDS & SPECIFICATIONS
- STORM DRAIN PIPE SHALL BE RCP CLASS III WITH CLASS C BEDDING UNLESS OTHERWISE NOTED. PROVIDE WATER-TIGHT JOINTS ON STORM SEWER PIPE.
- STATIONING IS AT CENTERLINE UNLESS OTHERWISE NOTED. ALL ELEVATIONS ARE AT FLOWLINE UNLESS OTHERWISE NOTED. ALL DIMENSIONS ARE FROM FACE OF CURB UNLESS OTHERWISE NOTED.
- PROPOSED CONTOURS SHOWN ARE TO FINISHED GRADE.
- LENGTHS SHOWN FOR STORM SEWER PIPES ARE TO CENTER OF MANHOLE.
- CONTRACTOR SHALL REMOVE AND DISPOSE OF ALL EXISTING STRUCTURES, DEBRIS, WASTE AND OTHER UNSUITABLE FILL MATERIAL FOUND WITHIN THE LIMITS OF EXCAVATION.
- MATCH INTO EXISTING GRADES AT 3:1 MAX CUT AND FILL SLOPES.
- REVEGETATION OF ALL DISTURBED AREAS SHALL BE DONE WITH SPECIFIED SEED MIX WITHIN 30 DAYS AFTER FINE GRADING IS COMPLETE.
- EROSION CONTROL SHALL CONSIST OF SILT FENCE AND OTHER BMP'S AS SHOWN ON THE DRAWINGS, AND TOPSOIL WITH GRASS SEED, WHICH WILL BE WATERED UNTIL VEGETATION HAS BEEN REESTABLISHED.
- THE EROSION CONTROL MEASURES OULINED ON THIS PLAN ARE THE RESPONSIBILITY OF THE DEVELOPER TO MONITOR AND REPLACE, REGRADE, AND REBUILD AS NECESSARY UNTIL VEGETATION IS REESTABLISHED.
- EROSION CONTROL MEASURES SHALL BE IMPLEMENTED IN A MANNER THAT WILL PROTECT ADJACENT PROPERTIES AND PUBLIC FACILITIES FROM THE ADVERSE EFFECTS OF EROSION AND SEDIMENTATION AS A RESULT OF CONSTRUCTION AND EARTHWORK ACTIVITIES WITHIN THE PROJECT SITE.
- ADDITIONAL EROSION CONTROL MEASURES MAY BE REQUIRED AS DETERMINED BY SITE CONDITIONS.
- THE CONTRACTOR WILL TAKE THE NECESSARY PRECAUTIONS TO PROTECT EXISTING UTILITIES FROM DAMAGE DUE TO THIS OPERATION. ANY DAMAGE TO THE UTILITIES WILL BE REPAIRED AT THE CONTRACTOR'S EXPENSE, AND ANY SERVICE DISRUPTION WILL BE SETTLED BY THE CONTRACTOR
- PEDESTRIAN RAMPS SHALL BE INSTALLED AT ALL INTERSECTIONS AND CONFORM TO COUNTY ENGINEERING STANDARDS AND SPECIFICATIONS.
- ALL FINISHED GRADES SHALL HAVE A MINIMUM 0.5% SLOPE TO PROVIDE POSITIVE DRAINAGE.
- WHERE PROPOSED SLOPES CONFLICT WITH PROPOSED SPOT ELEVATIONS, SPOT ELEVATIONS SHALL GOVERN.
- CONTRACTOR SHALL OBTAIN ALL REQUIRED PERMITS PRIOR TO BEGINNING WORK.
- ALL RESIDENTIAL STREET CURB RETURN RADII ARE 20- FEET AT FLOWLINE UNLESS OTHERWISE NOTED. ARTERIAL STREET CURB RETURN RADII ARE 35' UNLESS NOTED OTHERWISE.
- 25-FOOT SIGHT VISIBILITY TRIANGLES SHALL BE PROVIDED AT ALL RESIDENTIAL STREET INTERSECTIONS. 50-FOOT SIGHT TRIANGLES SHALL BE PROVIDED AT ARTERIAL STREET INTERSECTIONS. NO OBSTRUCTIONS TALLER THAN 18" ARE PERMITTED WITHIN THESE TRIANGLES.
- CONTRACTOR SHALL SCHEDULE A PRE-CONSTRUCTION MEETING WITH EL PASO COUNTY AND ALL UTILITIES INVOLVED IN PROJECT PRIOR TO MOBILIZING ON SITE.
- TYPE C STORM INLETS SHALL HAVE CLOSE-MESH GRATES.
- PROVIDE 10' TRANSITION FROM RAMP CURB TO VERTICAL CURB ON EACH SIDE OF STORM INLETS.
- ALL BACKFILL, SUB-BASE, AND/OR BASE COURSE MATERIAL SHALL BE COMPACTED PER EL PASO COUNTY AND CDOT STANDARDS AND SPECIFICATIONS AND PROJECT GEOTECHNICAL REPORT. CONTRACTOR SHALL STABILIZE ALL SUBGRADE AREAS PER GEOTECHNICAL ENGINEER'S RECOMMENDATIONS.

LEGEND:



**STRUTHERS RANCH POLARIS
LOTS 1-2, STRUTHERS RANCH SUBDIVISION FILING NO. 4**



19 E. Willamette Ave.
Colorado Springs, CO
80903
PH: 719-477-9429
FAX: 719-471-0766
www.jpsegr.com



CALL UTILITY NOTIFICATION
CENTER OF COLORADO
1-800-922-1987
CALL 2-BUSINESS DAYS IN ADVANCE
BEFORE YOU DIG, GRADE, OR EXCAVATE
FOR THE MARKING OF UNDERGROUND
MEMBER UTILITIES.

NO.	REVISION	BY	DATE

GENERAL NOTES AND LEGEND

HORIZ. SCALE: N/A	DRAWN: PV
VERT. SCALE: N/A	DESIGNED: JPS
SURVEYED: COMPASS	CHECKED: JPS
CREATED: 05/27/20	LAST MODIFIED: 08/09/22
PROJECT NO: 032203	MODIFIED BY: PV

G2



CONSTRUCTION CONTROL MEASURE PHASING:

- INITIAL CCM'S:**
- VTC
 - SF ALONG DOWNSTREAM LIMITS
 - SEDIMENT BASIN
- INTERIM CCM'S:**
- INLET PROTECTION
 - TEMPORARY SEED & MULCH
- FINAL CCM'S:**
- SEEDING & MULCHING

PROPOSED RETAINING WALL
 PROTECT EXISTING ELECTRIC TRANSFORMER
 REPLACE TOP OF EXISTING INLET BOX AS NEEDED TO PROVIDE 2% MAX. CROSS SLOPE
 MATCH INTO EXISTING SIDEWALK

50'X50' SIGHT TRIANGLE NO BUILD AREA/DRAINAGE AND UTILITY EASEMENT

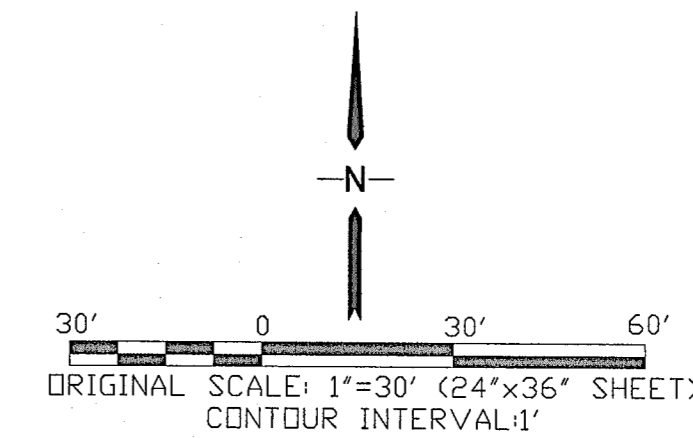
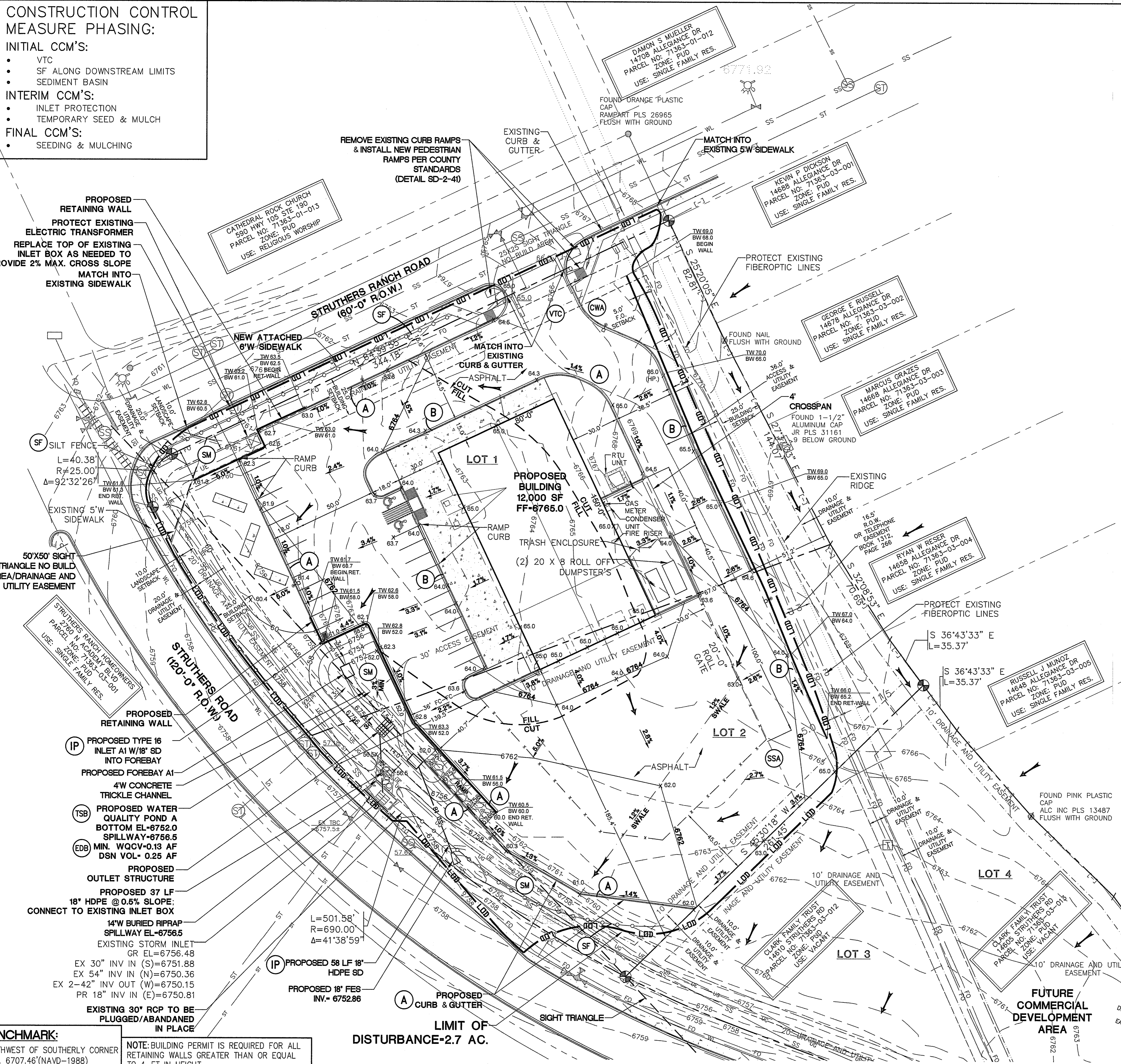
- PROPOSED TYPE 16 INLET A1 W/18" SD INTO FOREBAY
- PROPOSED FOREBAY A1 4"W CONCRETE TRICKLE CHANNEL
- PROPOSED WATER QUALITY POND A BOTTOM EL=6752.0 SPILLWAY=6756.5
- MIN. WQCV=0.13 AF DSN VOL= 0.25 AF
- PROPOSED OUTLET STRUCTURE PROPOSED 37 LF 18" HDPE @ 0.5% SLOPE; CONNECT TO EXISTING INLET BOX
- 14"W BURIED RIPRAP SPILLWAY EL=6756.5
- EXISTING STORM INLET GR EL=6756.48
- EX 30" INV IN (S)=6751.88
- EX 54" INV IN (N)=6750.36
- EX 2-42" INV OUT (W)=6750.15
- PR 18" INV IN (E)=6750.81
- EXISTING 30" RCP TO BE PLUGGED/ABANDONED IN PLACE

BENCHMARK:
 SOUTHWEST OF SOUTHERLY CORNER
 ELEV. 6707.46'(NAVD-1988)

NOTE: BUILDING PERMIT IS REQUIRED FOR ALL RETAINING WALLS GREATER THAN OR EQUAL TO 4-FT IN HEIGHT

REMOVE EXISTING CURB RAMPS & INSTALL NEW PEDESTRIAN RAMPS PER COUNTY STANDARDS (DETAIL SD-2-41)

LIMIT OF DISTURBANCE=2.7 AC.



KEYED NOTES:

- 1 TOPSOIL & STRIPPINGS STOCKPILE AREA
- 2 CONTRACTOR MAY WASTE EXCESS CUT MATERIAL OR BORROW SUITABLE FILL MATERIAL FROM THIS AREA. MAINTAIN POSITIVE DRAINAGE & MATCH INTO EXISTING GRADES WITH 3:1 MAX. SLOPE.
- 3 PREPARE AND COMPACT BUILDING FOUNDATION & SLABS PER PROJECT GEOTECHNICAL REPORT
- 4 PARKING LOT PAVING PER GEOTECHNICAL REPORT (4" ASPHALT OVER 6" AGGREGATE BASE UNLESS NOTED OTHERWISE)
- 5 STORAGE AREA FOR BUILDING MATERIALS, EQUIPMENT & CONSTRUCTION WASTE (CONTRACTOR MAY ADJUST AS NEEDED)
- 6 MIN 4'x4' CONCRETE LANDING AT DOOR W/2.0% SLOPE AWAY FROM BUILDING

ESTIMATED EARTHWORK QUANTITY:

UNCLASSIFIED EXCAVATION (TOTAL CUT) = 4,148 CY
 * TOTAL FILL = 1,262 CY
 NET (CUT) = 2,897 CY
 *(ASSUMES 15% COMPACTION FACTOR)

NOTE: THIS ESTIMATE IS PROVIDED FOR INFORMATION ONLY, REPRESENTING THE CALCULATED BULK EARTHWORK VOLUME TO FINISHED GRADE, EXCLUDING ANY ADJUSTMENT FOR PAVEMENT DEPTHS, ETC. CONTRACTOR SHALL MAKE HIS OWN DETERMINATION OF EARTHWORK QUANTITIES AS BASIS FOR BID PRICING AND NOTIFY ENGINEER OF ANY DISCREPANCIES.

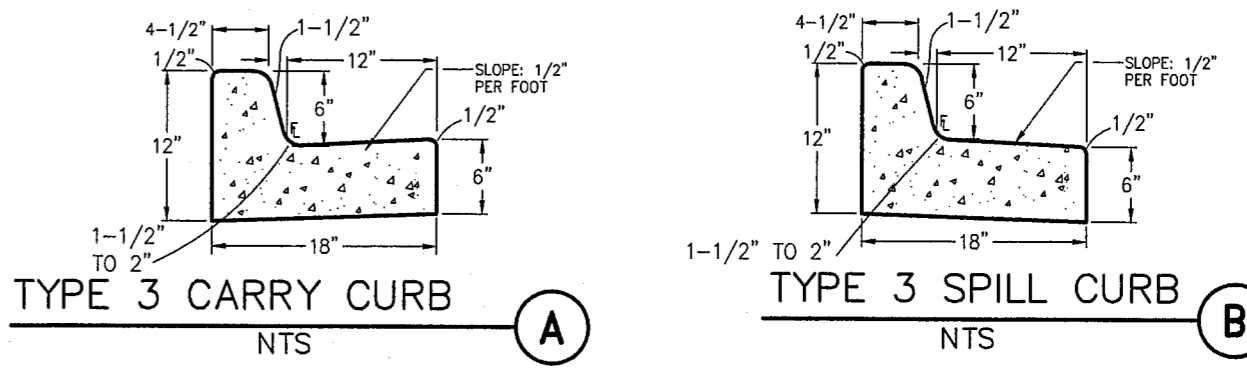
EROSION CONTROL LEGEND:

- (SF) SILT FENCE
- (VTC) VEHICLE TRACKING PAD
- (IP) INLET PROTECTION
- (SM) SEED & MULCH
- (CWA) CONCRETE WASHOUT AREA
- (TSB) TEMPORARY SEDIMENT BASIN
- (EDB) EXTENDED DETENTION BASIN
- (SSA) STABILIZED STAGING AREA

LEGEND

- PROPERTY LINE
- - - EASEMENT LINE
- 6762 --- PROPOSED CONTOUR
- 6762 --- EXISTING CONTOUR
- 49.0 --- PROPOSED SPOT ELEVATION (FLOWLINE)
- 74.5 --- EXIST. SPOT ELEVATION
- 10% --- PROPOSED SLOPE
- TW --- TOP OF RETAINING WALL
- BW --- BOTTOM OF RETAINING WALL
- CUT --- CUT/FILL DEMARCATION LINE
- FILL --- FILL
- LOD --- LIMIT OF CONSTRUCTION/DISTURBANCE
- DS --- DOWNSPOUT CONNECTION TO STORM SEWER; INSTALL TRANSITION COUPLINGS & EXTEND 6" PVC (SDR35) AT 1.0% MIN. SLOPE TO SD
- DRAINAGE FLOW ARROW

- NOTES:
1. ALL EROSION CONTROL MEASURES SHALL CONFORM TO CITY OF COLORADO SPRINGS DRAINAGE CRITERIA MANUAL, VOLUME 2 REQUIREMENTS
 2. EXISTING VEGETATION CONSISTS OF NATIVE GRASSES (APPROX. 50% COVERAGE)



STRUTHERS RANCH POLARIS LOTS 1-2, STRUTHERS RANCH SUBDIVISION FILING NO. 4

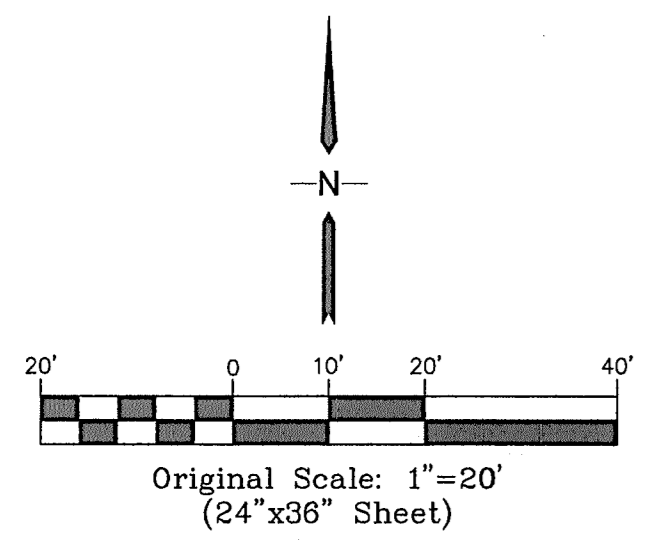
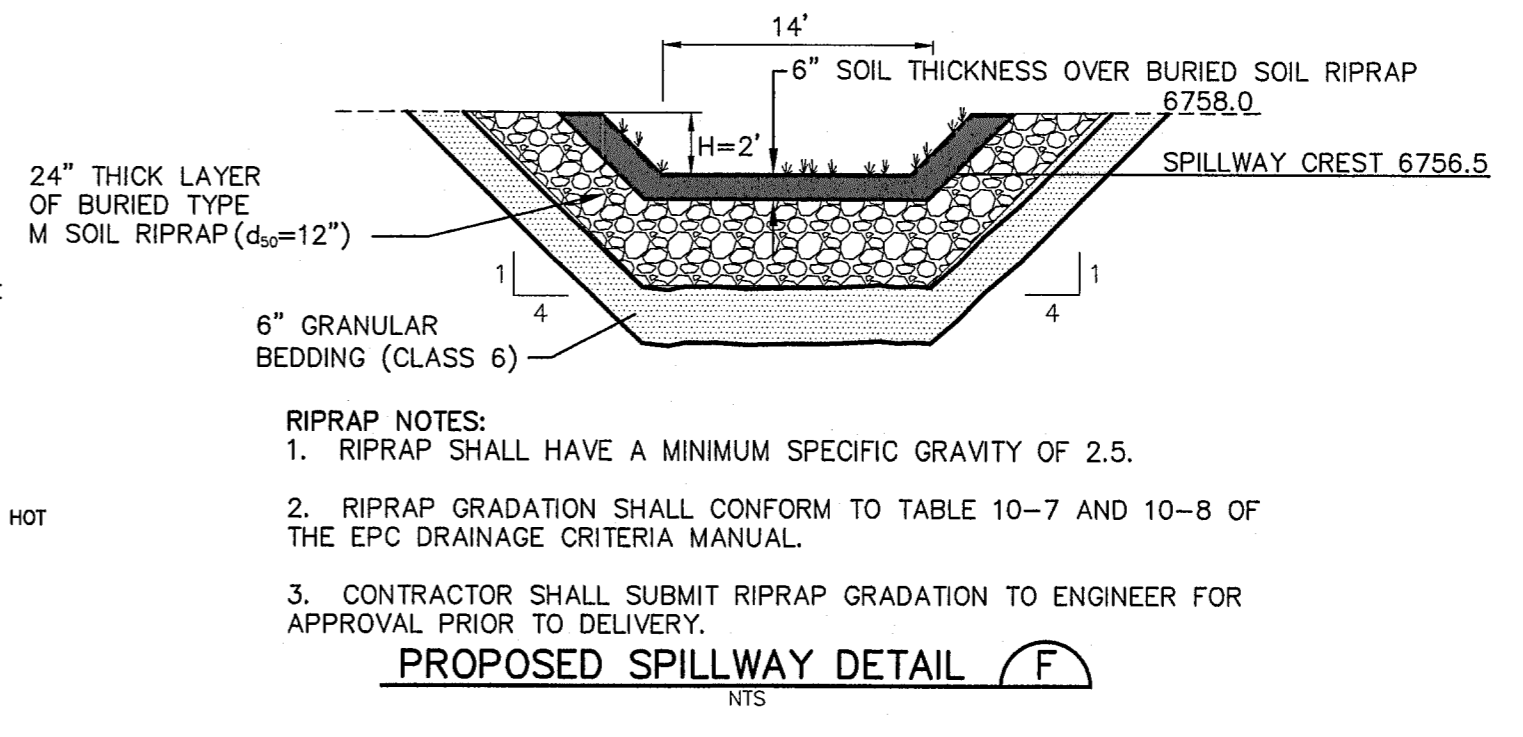
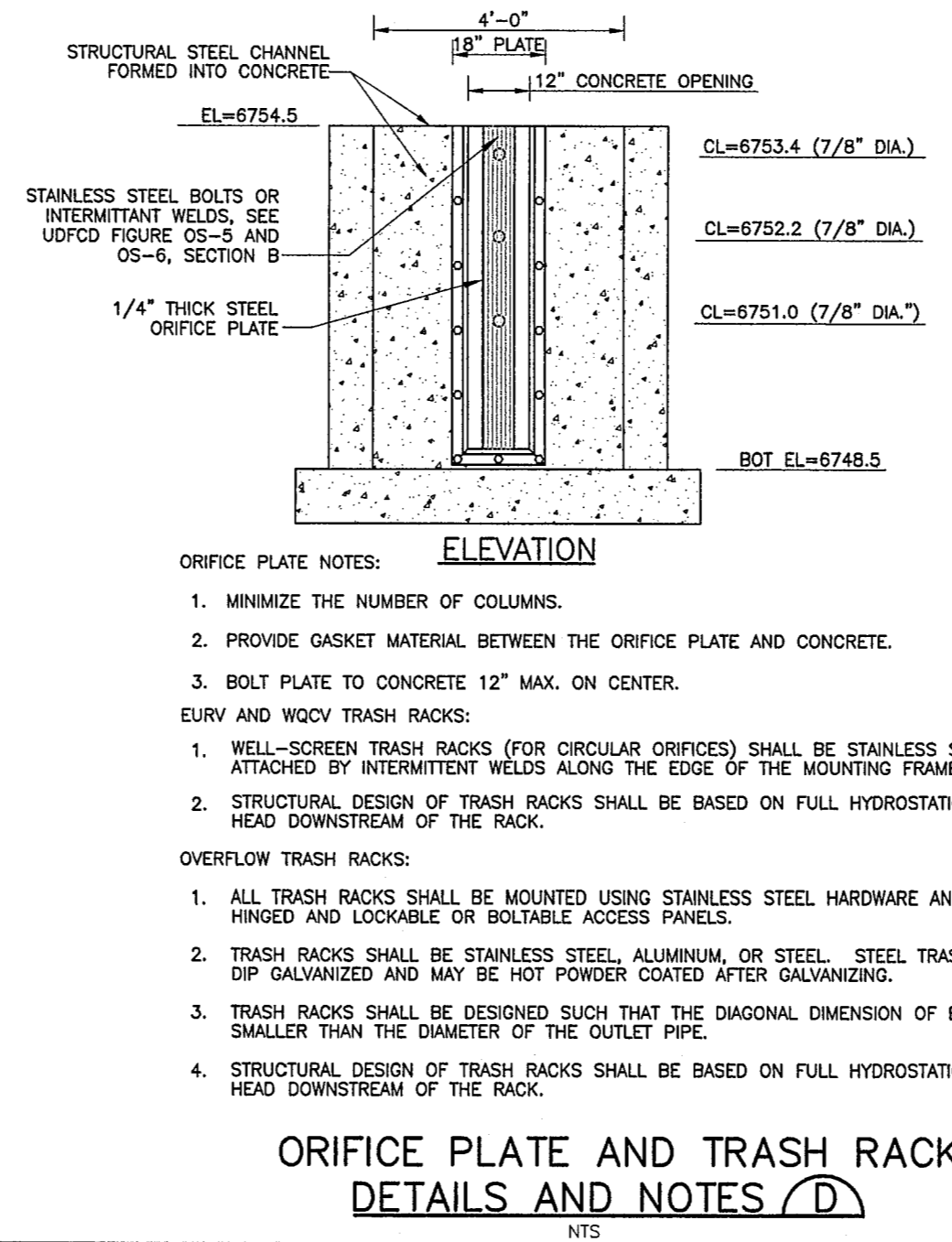
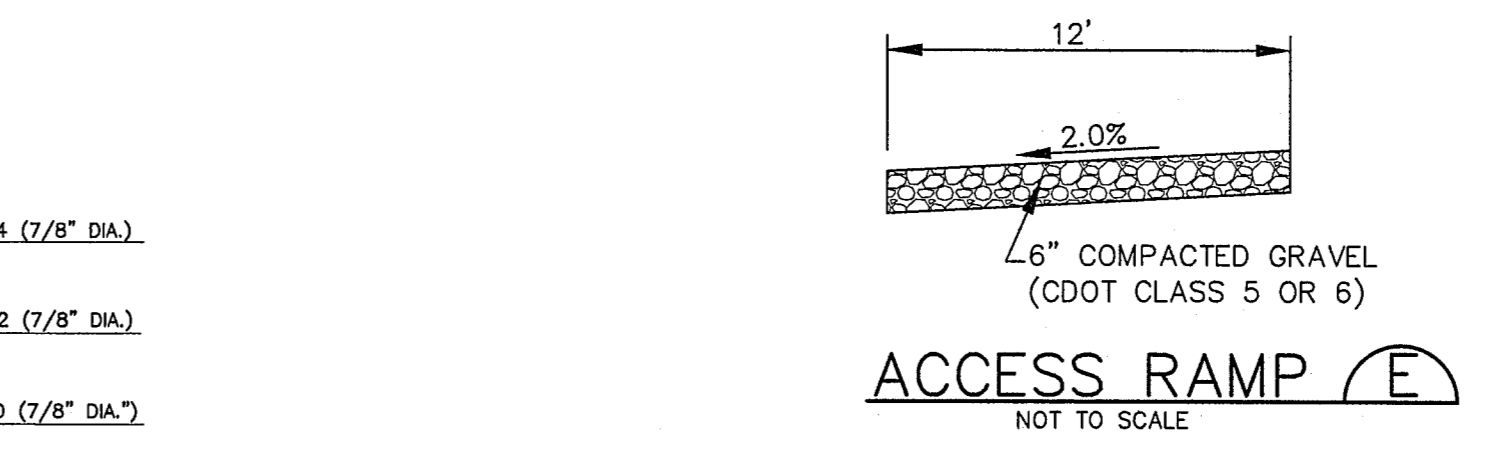
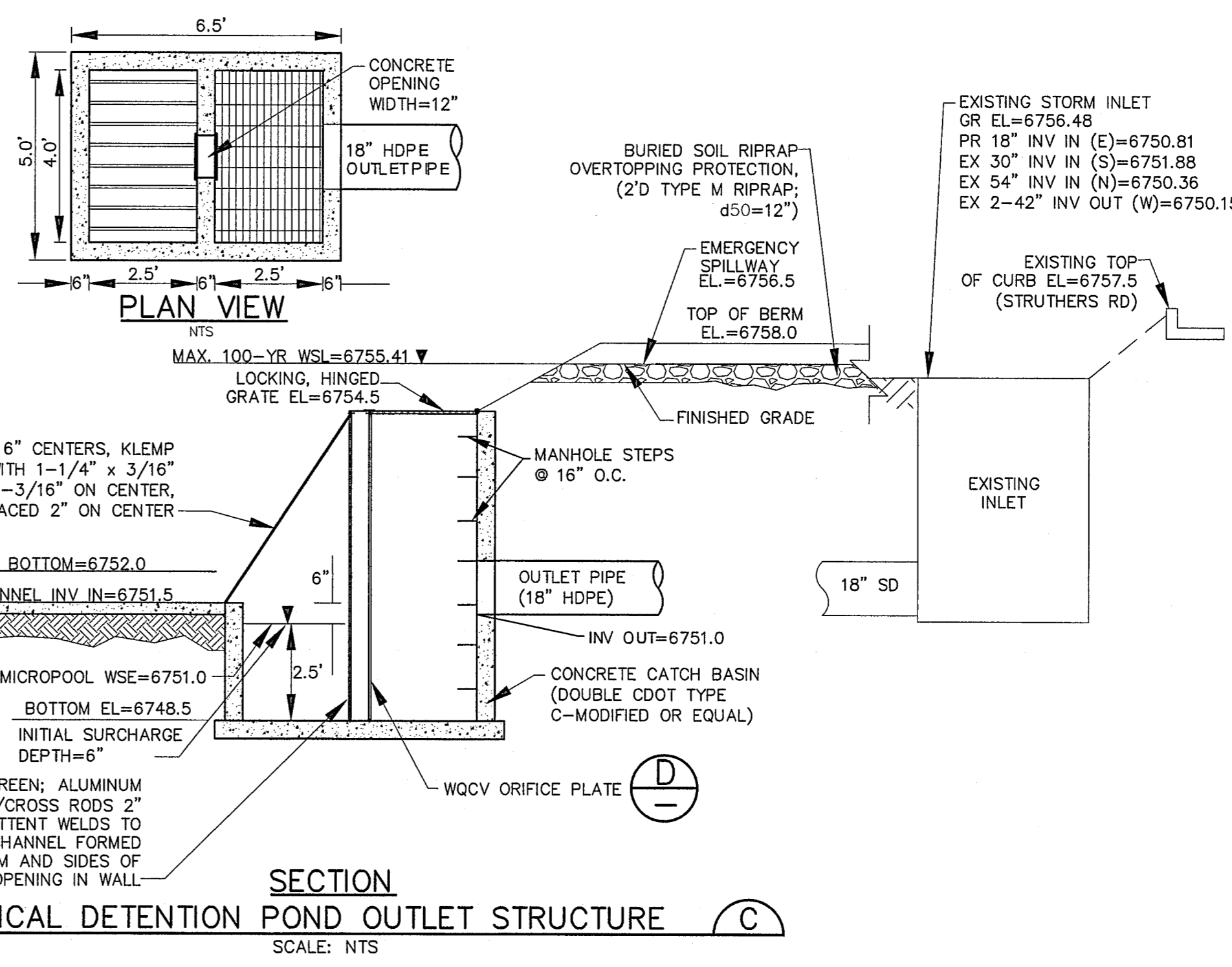
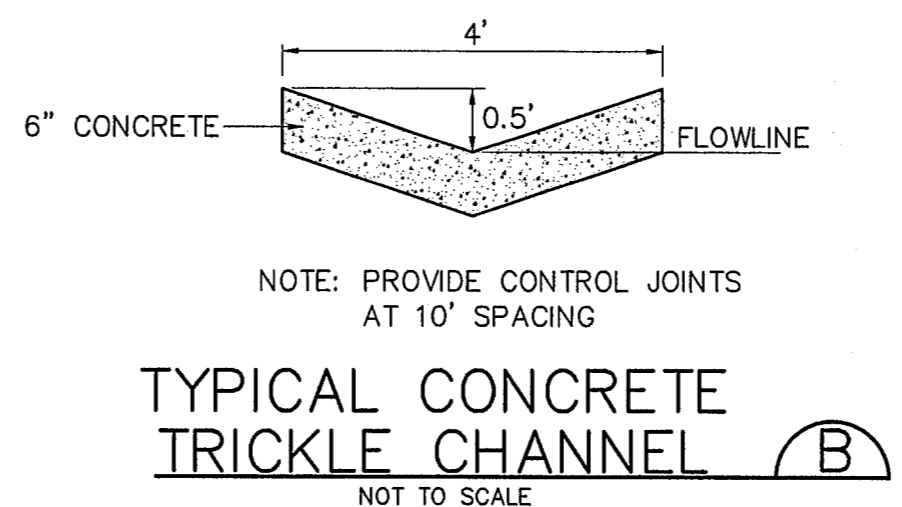
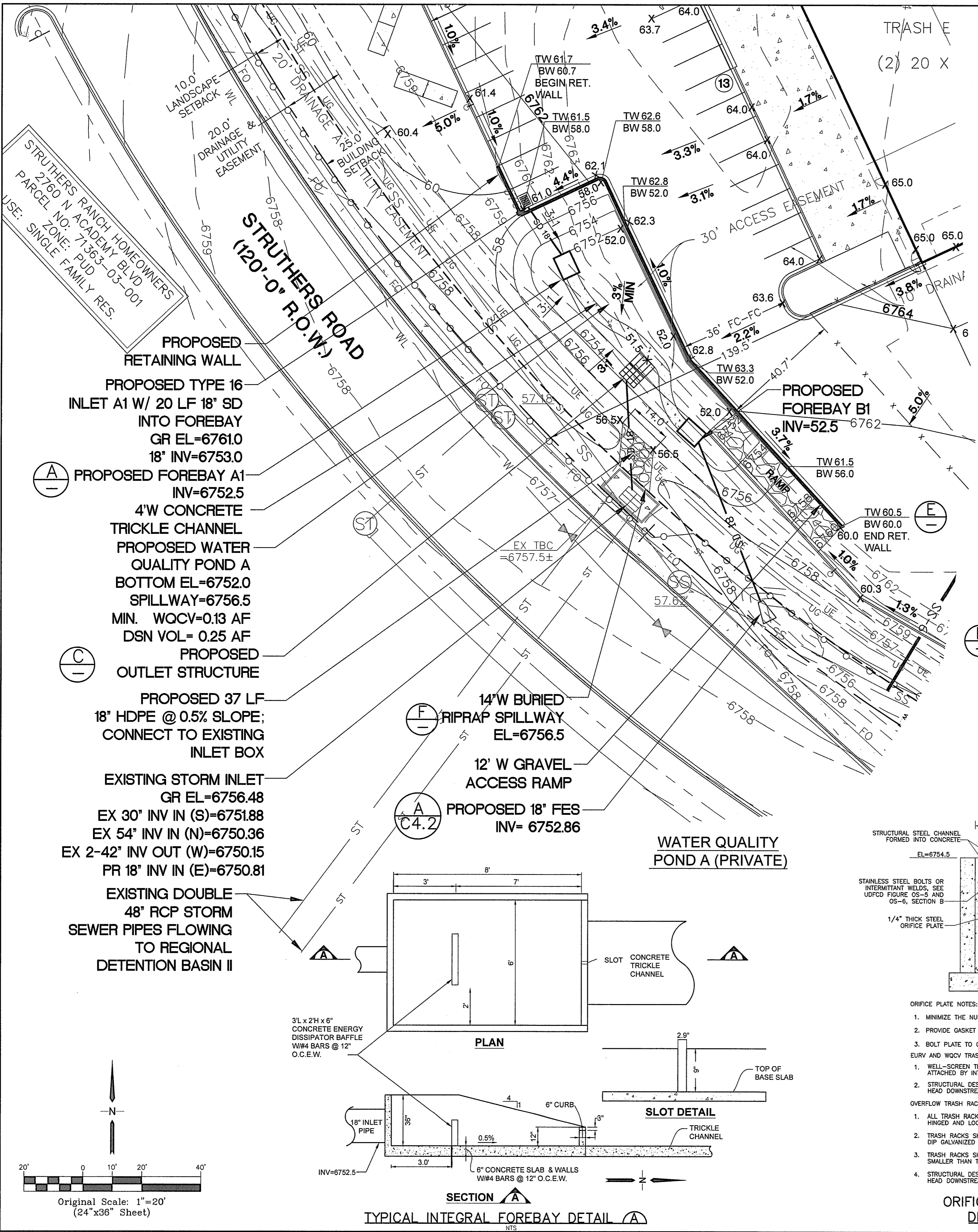
SITE GRADING AND EROSION CONTROL PLAN

JPS ENGINEERING
 19 E. Willamette Ave.
 Colorado Springs, CO 80903
 PH: 719-477-9429
 FAX: 719-471-0766
 www.jpsegr.com

CALL UTILITY NOTIFICATION CENTER OF COLORADO
1-800-922-1987
 CALL BEFORE YOU DIG. IN ADVANCE OF ANY EXCAVATION FOR THE MARKING OF UNDERGROUND MEMBER UTILITIES.

NO.	REVISION	BY	DATE
1	EPC SUBMITTAL		08/10/22
2	EPC COMMENTS		11/24/22
3	EPC COMMENTS		04/07/23

HORZ. SCALE: 1"=30'	DRAWN: PV
VERT. SCALE: N/A	DESIGNED: JPS
SURVEYED: COMPASS	CHECKED: JPS
CREATED: 05/27/20	LAST MODIFIED: 04/07/23
PROJECT NO: 032203	MODIFIED BY: PV
SHEET:	C1.1



JPS ENGINEERING

19 E. Willamette Ave.
Colorado Springs, CO 80903

PH: 719-477-9429
FAX: 719-471-0766
www.jpsegr.com

STRUTHERS RANCH POLARIS
LOTS 1-2, STRUTHERS RANCH SUBDIVISION FILING NO. 4

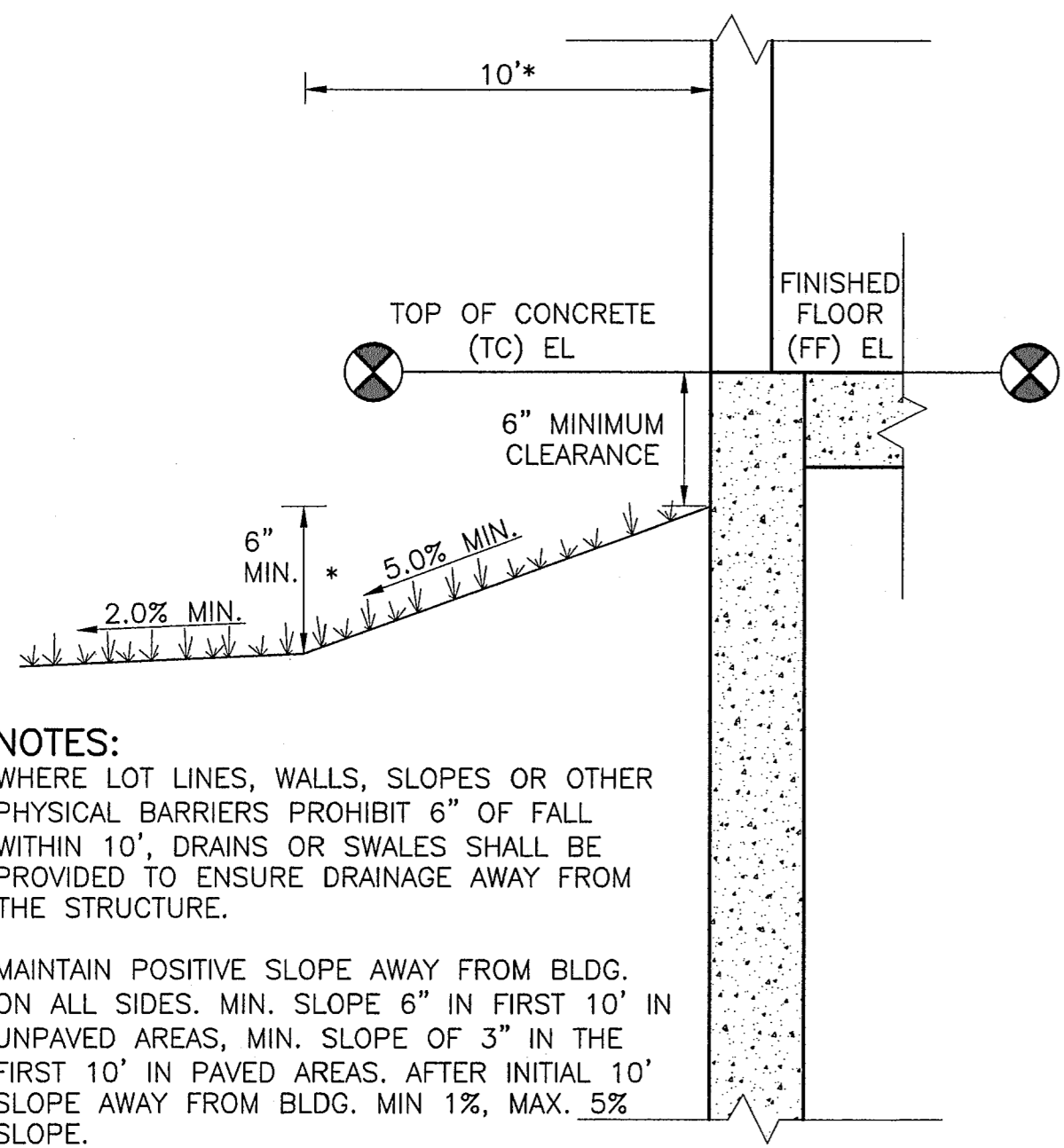
WATER QUALITY POND A
PLAN & DETAILS

CALL UTILITY NOTIFICATION CENTER OF COLORADO
1-800-922-1987
SCALE 2-BUSINESS DAYS IN ADVANCE FOR THE MEMBER UTILITIES.

No.	DATE	REVISION
1		
2		
3		
4		

DESIGNED: PV
CHECKED: JPS
CREATED: 05/27/20
PROJECT NO: 032203
SHEET: C3.1

COLORADO REGISTERED PROFESSIONAL ENGINEER
20091
MIBZ

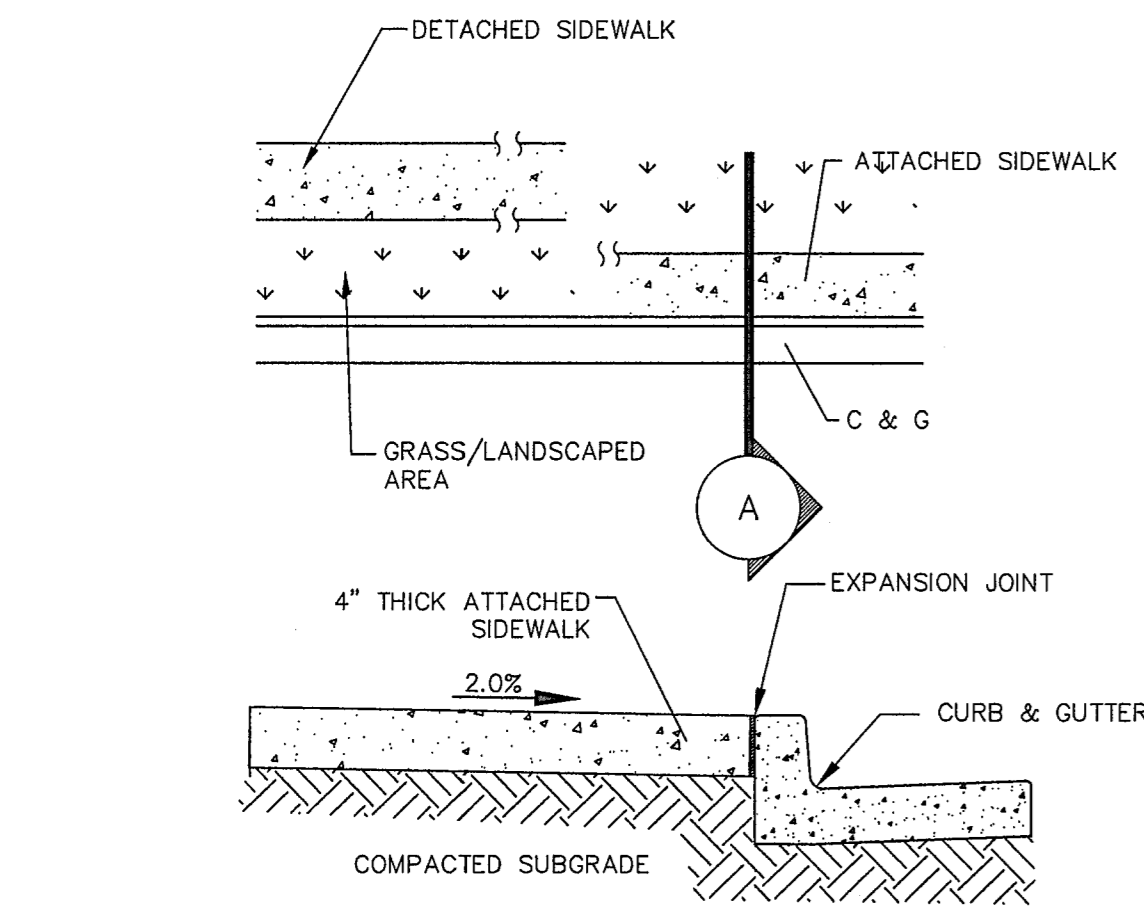


TYPICAL BUILDING DRAINAGE DETAIL (D)

SCALE: NTS

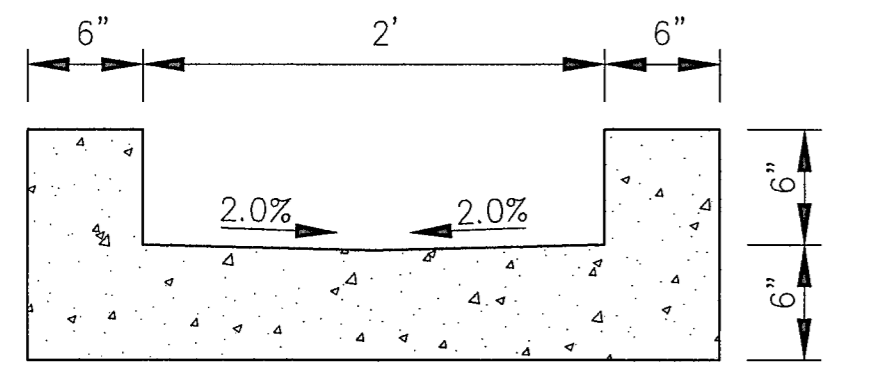
NOTES:
 * WHERE LOT LINES, WALLS, SLOPES OR OTHER PHYSICAL BARRIERS PROHIBIT 6" OF FALL WITHIN 10', DRAINS OR SWALES SHALL BE PROVIDED TO ENSURE DRAINAGE AWAY FROM THE STRUCTURE.

MAINTAIN POSITIVE SLOPE AWAY FROM BLDG. ON ALL SIDES. MIN. SLOPE 6" IN FIRST 10' IN UNPAVED AREAS, MIN. SLOPE OF 3" IN THE FIRST 10' IN PAVED AREAS. AFTER INITIAL 10' SLOPE AWAY FROM BLDG. MIN 1%, MAX. 5% SLOPE.



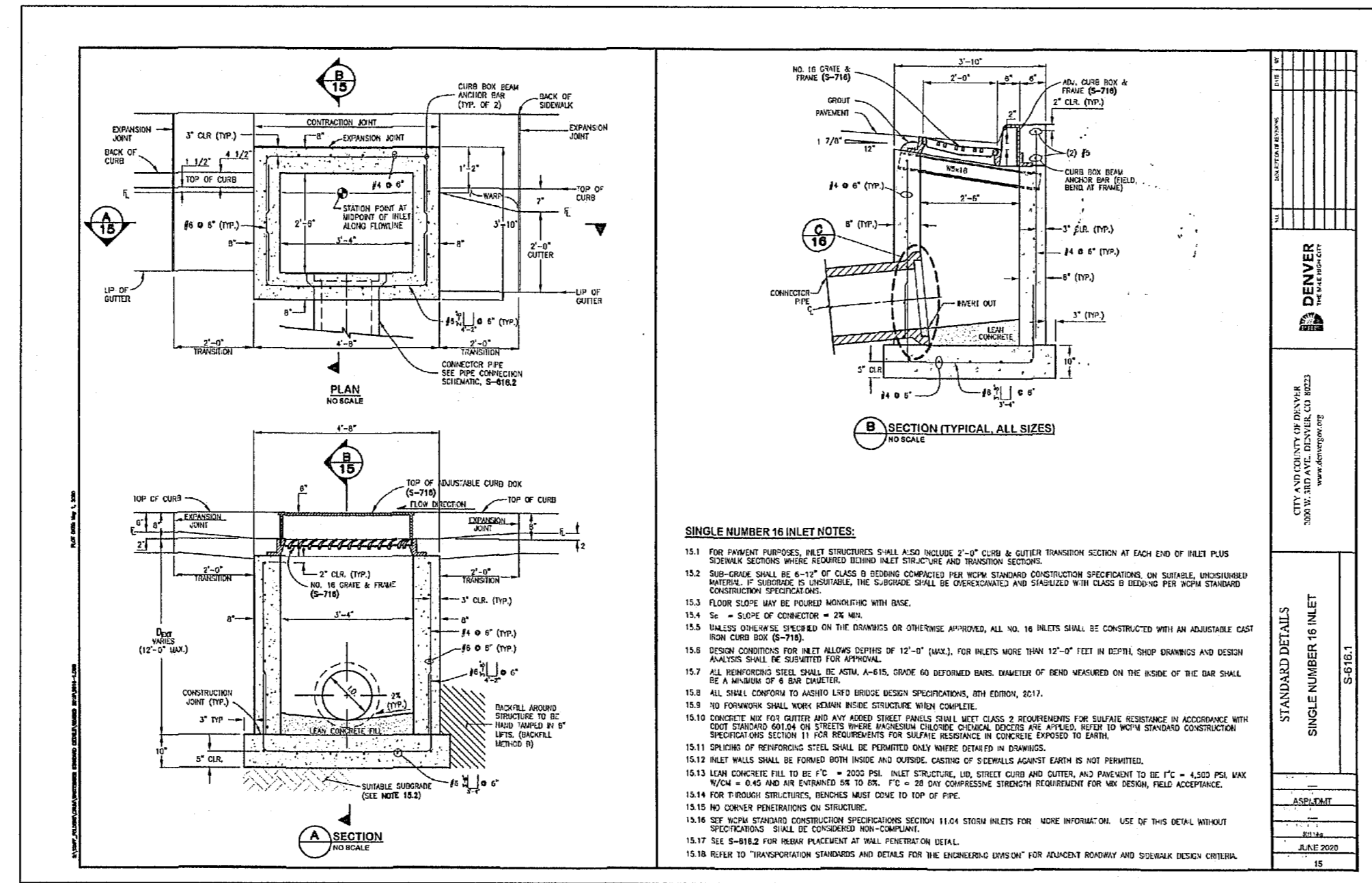
CONCRETE SIDEWALK DETAIL (B)
N.T.S.

- NOTE:**
 1. SEE SITE PLAN FOR LOCATION & DIMENSIONS OF SIDEWALK (5' ATTACHED SIDEWALK UNLESS NOTED OTHERWISE).
 2. CONTRACTOR SHALL PROVIDE JOINTS PER CITY OF COLORADO SPRINGS STANDARD SPECIFICATIONS.



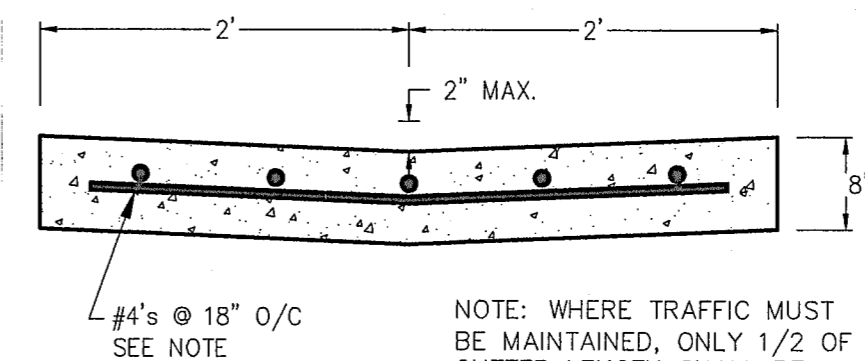
CURB CHASE SECTION (C)

SCALE: 1" = 1' H & V

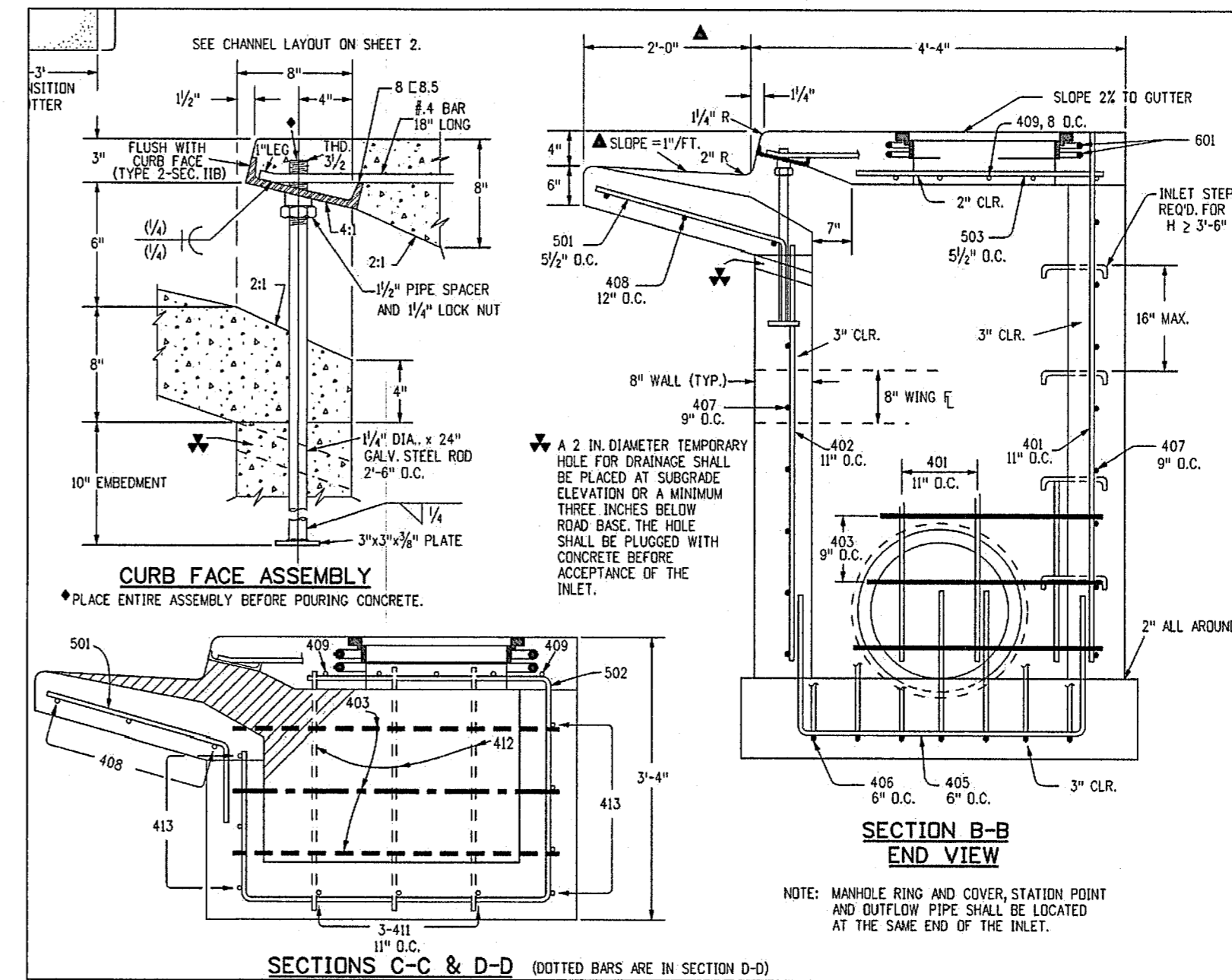


TYPICAL CONCRETE CROSSSPAN (A)

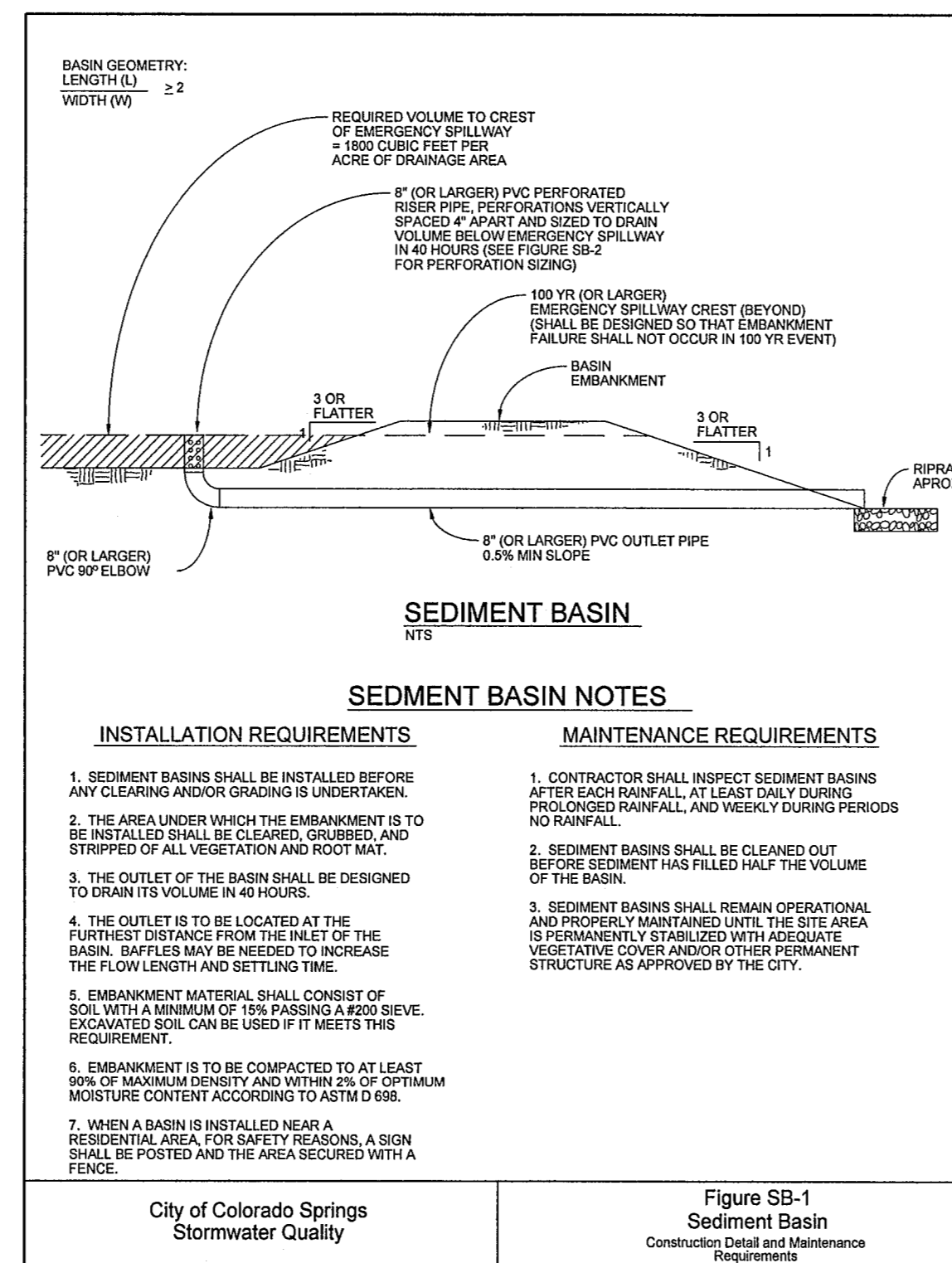
SCALE: 1" = 1'-0"



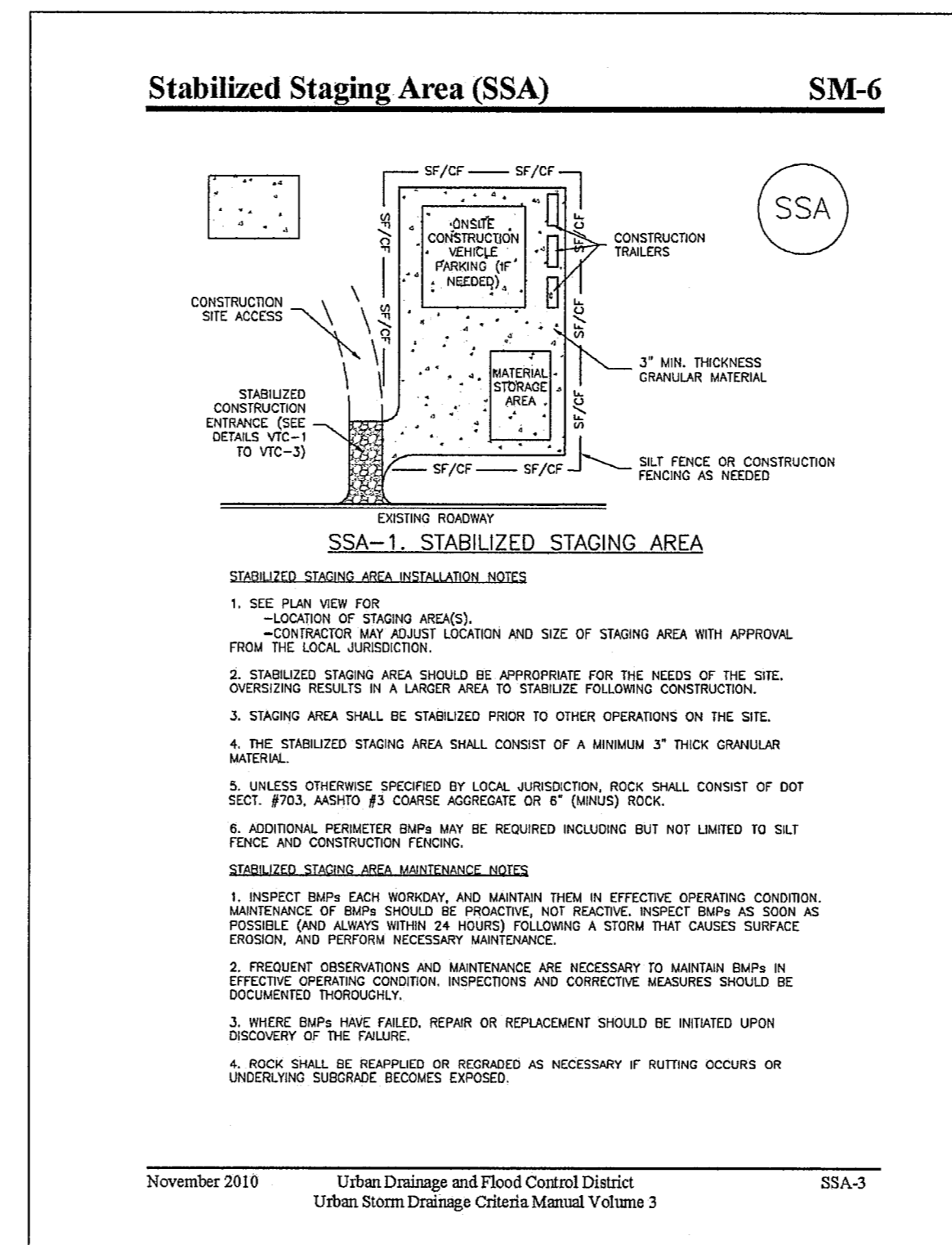
NOTE: WHERE TRAFFIC MUST BE MAINTAINED, ONLY 1/2 OF GUTTER LENGTH SHALL BE CONSTRUCTED. JOINT SHALL BE DOWELED WITH 7 EA. #4'S @ 24" O.C.



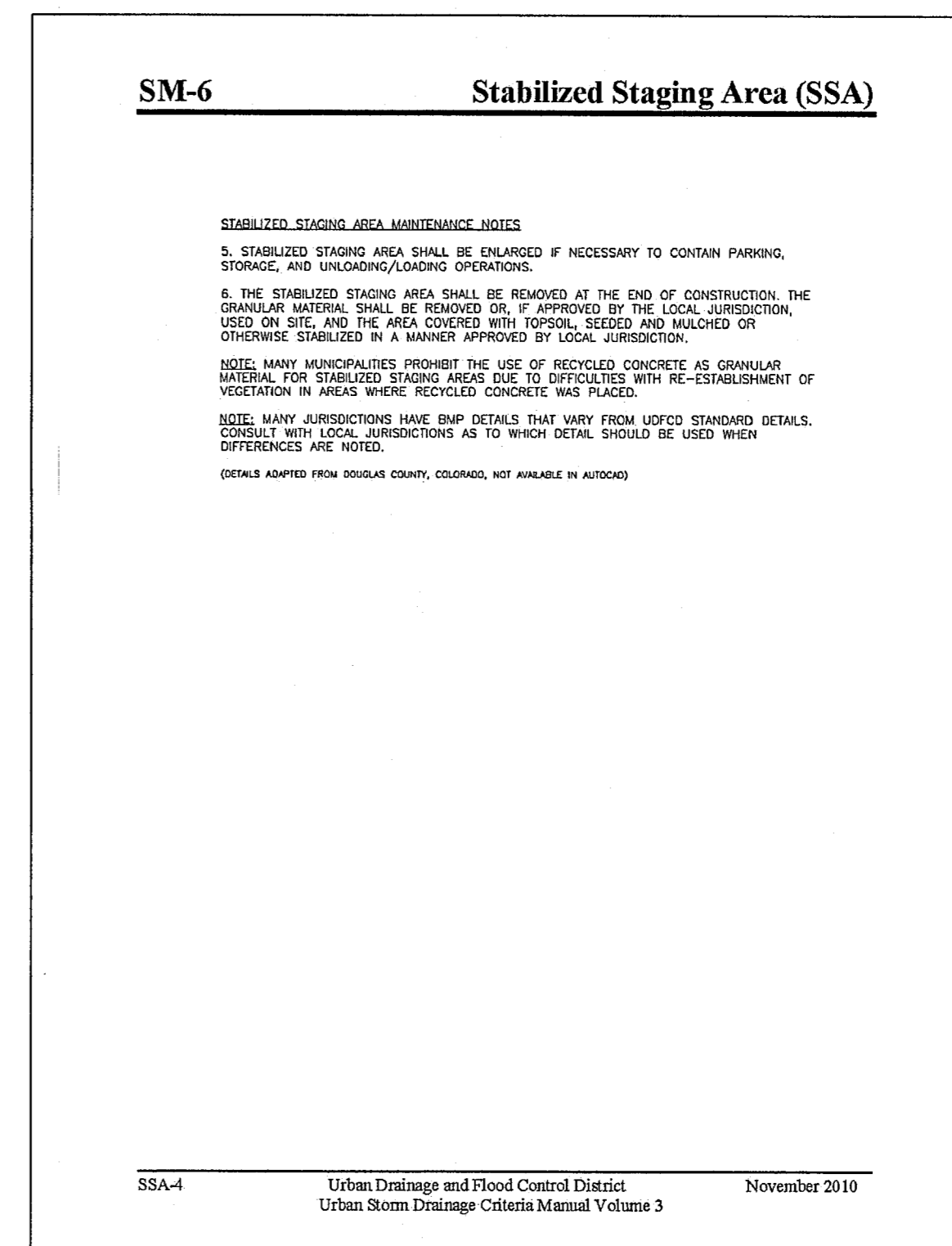
CDOT INLET TYPE R DETAIL



City of Colorado Springs Stormwater Quality
 Figure SB-1 Sediment Basin Construction Detail and Maintenance Requirements

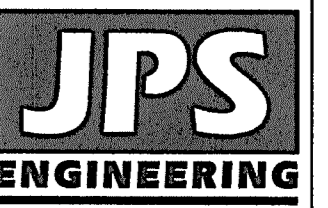


November 2010 Urban Drainage and Flood Control District Urban Storm Drainage Criteria Manual Volume 3 SSA-3

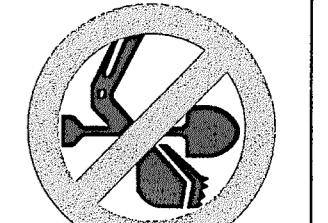


SSA-4 Urban Drainage and Flood Control District Urban Storm Drainage Criteria Manual Volume 3 November 2010

**STRUTHERS RANCH POLARIS
 LOTS 1-2, STRUTHERS RANCH SUBDIVISION FILING NO. 4**



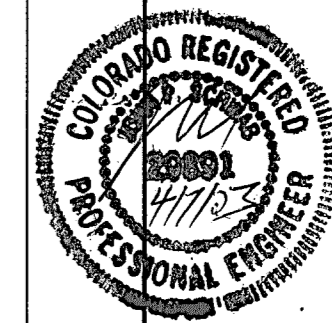
19 E. Willamette Ave.
 Colorado Springs, CO 80903
 PH: 719-477-9429
 FAX: 719-471-0766
 www.jpsegr.com



CALL UTILITY NOTIFICATION CENTER OF COLORADO
 1-800-922-1987
 CALL 24 HOURS A DAY IN ADVANCE BEFORE YOU DIG, GRADE, OR EXCAVATE FOR THE MARKING OF UTILITIES MEMBER UTILITIES.

NO.	REVISION	BY	DATE

CIVIL & EROSION CONTROL DETAILS



HORZ. SCALE:	N/A	DRAWN:	PV
VERT. SCALE:	N/A	DESIGNED:	JPS
SURVEYED:	COMPASS	CHECKED:	JPS
CREATED:	05/27/20	LAST MODIFIED:	08/09/22
PROJECT NO:	032203	MODIFIED BY:	PV
SHEET:			

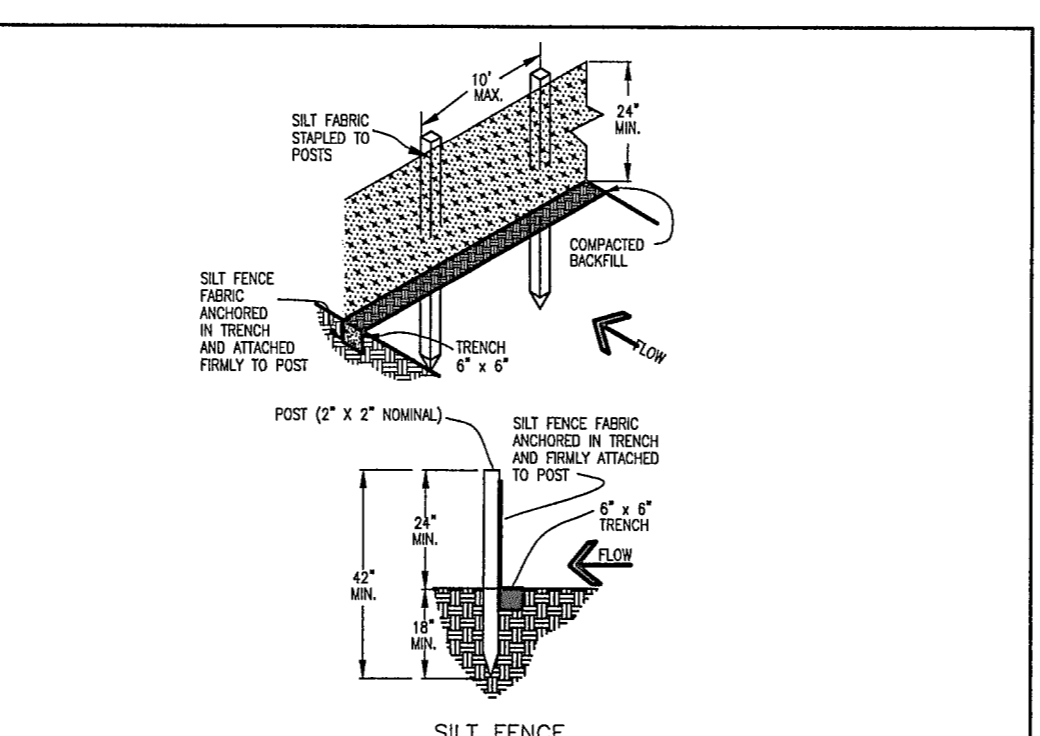
C4.1

STANDARD NOTES FOR EL PASO COUNTY GRADING AND EROSION CONTROL PLANS:

REVISED 7/02/19

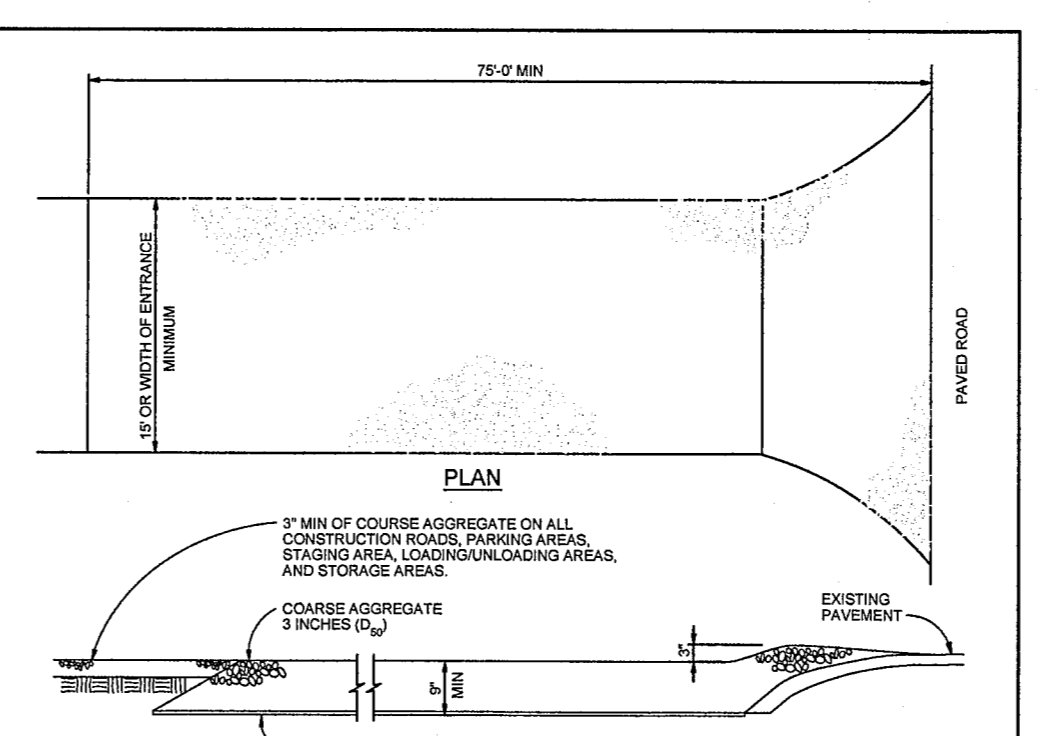
- STORMWATER DISCHARGES FROM CONSTRUCTION SITES SHALL NOT CAUSE OR THREATEN TO CAUSE POLLUTION, CONTAMINATION OR DEGRADATION OF STATE WATERS. ALL WORK AND EARTH DISTURBANCE SHALL BE DONE IN A MANNER THAT MINIMIZES POLLUTION OF ANY ON-SITE OR OFF-SITE WATERS, INCLUDING WETLANDS.
- NOTWITHSTANDING ANYTHING DEPICTED IN THESE PLANS IN WORDS OR GRAPHIC REPRESENTATION, ALL DESIGN AND CONSTRUCTION RELATED TO ROADS, STORM DRAINAGE AND EROSION CONTROL SHALL CONFORM TO THE STANDARDS AND REQUIREMENTS OF THE MOST RECENT VERSION OF THE RELEVANT ADOPTED EL PASO COUNTY STANDARDS, INCLUDING THE LAND DEVELOPMENT CODE, THE ENGINEERING CRITERIA MANUAL, THE DRAINAGE CRITERIA MANUAL, AND THE DRAINAGE CRITERIA MANUAL VOLUME 2. ANY DEVIATIONS FROM REGULATIONS AND STANDARDS MUST BE REQUESTED, AND APPROVED, IN WRITING.
- A SEPARATE STORMWATER MANAGEMENT PLAN (SWMP) FOR THIS PROJECT SHALL BE COMPLETED AND AN EROSION AND STORMWATER QUALITY CONTROL PERMIT (ESQCP) ISSUED PRIOR TO COMMENCING CONSTRUCTION. MANAGEMENT OF THE SWMP DURING CONSTRUCTION IS THE RESPONSIBILITY OF THE DESIGNATED QUALIFIED STORMWATER MANAGER OR CERTIFIED EROSION CONTROL INSPECTOR. THE SWMP SHALL BE LOCATED ON SITE AT ALL TIMES DURING CONSTRUCTION AND SHALL BE KEPT UP TO DATE WITH WORK PROGRESS AND CHANGES IN THE FIELD.
- ONCE THE ESQCP IS APPROVED AND A "NOTICE TO PROCEED" HAS BEEN ISSUED, THE CONTRACTOR MAY INSTALL THE INITIAL STAGE EROSION AND SEDIMENT CONTROL MEASURES AS INDICATED ON THE APPROVED GEC. A PRECONSTRUCTION MEETING BETWEEN THE CONTRACTOR, ENGINEER, AND EL PASO COUNTY WILL BE HELD PRIOR TO ANY CONSTRUCTION. IT IS THE RESPONSIBILITY OF THE APPLICANT TO COORDINATE THE MEETING TIME AND PLACE WITH COUNTY STAFF.
- CONTROL MEASURES MUST BE INSTALLED PRIOR TO COMMENCEMENT OF ACTIVITIES THAT COULD CONTRIBUTE POLLUTANTS TO STORMWATER. CONTROL MEASURES FOR ALL SLOPES, CHANNELS, DITCHES, AND DISTURBED LAND AREAS SHALL BE INSTALLED IMMEDIATELY UPON COMPLETION OF THE DISTURBANCE.
- ALL TEMPORARY SEDIMENT AND EROSION CONTROL MEASURES SHALL BE MAINTAINED AND REMAIN IN EFFECTIVE OPERATING CONDITION UNTIL PERMANENT SOIL EROSION CONTROL MEASURES ARE IMPLEMENTED AND FINAL STABILIZATION IS ESTABLISHED. ALL PERSONS ENGAGED IN LAND DISTURBANCE ACTIVITIES SHALL ASSESS THE ADEQUACY OF CONTROL MEASURES AT THE SITE AND IDENTIFY IF CHANGES TO THOSE CONTROL MEASURES ARE NEEDED TO ENSURE THE CONTINUED EFFECTIVE PERFORMANCE OF THE CONTROL MEASURES. ALL CHANGES TO TEMPORARY SEDIMENT AND EROSION CONTROL MEASURES MUST BE INCORPORATED INTO THE STORMWATER MANAGEMENT PLAN.
- TEMPORARY STABILIZATION SHALL BE IMPLEMENTED ON DISTURBED AREAS AND STOCK PILES WHERE GROUND DISTURBING CONSTRUCTION ACTIVITY HAS PERMANENTLY CEASED OR TEMPORARILY CEASED FOR LONGER THAN 14 DAYS.
- FINAL STABILIZATION MUST BE IMPLEMENTED AT ALL APPLICABLE CONSTRUCTION SITES. FINAL STABILIZATION IS ACHIEVED WHEN ALL GROUND DISTURBING ACTIVITIES ARE COMPLETE AND ALL DISTURBED AREAS EITHER HAVE A UNIFORM VEGETATIVE COVER WITH INDIVIDUAL PLANT DENSITY OF 70 PERCENT OF PRE-DISTURBANCE LEVELS ESTABLISHED OR EQUIVALENT PERMANENT ALTERNATIVE STABILIZATION METHOD IS IMPLEMENTED. ALL TEMPORARY SEDIMENT AND EROSION CONTROL MEASURES SHALL BE REMOVED UPON FINAL STABILIZATION AND BEFORE PERMIT CLOSURE.
- ALL PERMANENT STORMWATER MANAGEMENT FACILITIES SHALL BE INSTALLED AS DESIGNED IN THE APPROVED PLANS. ANY PROPOSED CHANGES THAT AFFECT THE DESIGN OR FUNCTION OF PERMANENT STORMWATER MANAGEMENT STRUCTURES MUST BE APPROVED BY THE EGM ADMINISTRATOR PRIOR TO IMPLEMENTATION.
- EARTH DISTURBANCES SHALL BE CONDUCTED IN SUCH A MANNER SO AS TO EFFECTIVELY MINIMIZE ACCELERATED SOIL EROSION AND RESULTING SEDIMENTATION. ALL DISTURBANCES SHALL BE DESIGNED, CONSTRUCTED, AND COMPLETED SO THAT THE EXPOSED AREA OF ANY DISTURBED LAND SHALL BE LIMITED TO THE SHORTEST PRACTICAL PERIOD OF TIME. PRE-EXISTING VEGETATION SHALL BE PROTECTED AND MAINTAINED WITHIN 50 HORIZONTAL FEET OF A WATERS OF THE STATE UNLESS SHOWN TO BE INFEASIBLE AND SPECIFICALLY REQUESTED AND APPROVED.
- COMPACTION OF SOIL MUST BE PREVENTED IN AREAS DESIGNATED FOR INFILTRATION CONTROL MEASURES OR WHERE FINAL STABILIZATION WILL BE ACHIEVED BY VEGETATIVE COVER. AREAS DESIGNATED FOR INFILTRATION CONTROL MEASURES SHALL ALSO BE PROTECTED FROM SEDIMENTATION DURING CONSTRUCTION UNTIL FINAL STABILIZATION IS ACHIEVED. IF COMPACTION PREVENTION IS NOT FEASIBLE DUE TO SITE CONSTRAINTS, ALL AREAS DESIGNATED FOR INFILTRATION AND VEGETATION CONTROL MEASURES MUST BE CLOSED PRIOR TO INSTALLATION OF THE CONTROL MEASURE(S).
- ANY TEMPORARY OR PERMANENT FACILITY DESIGNED AND CONSTRUCTED FOR THE CONVEYANCE OF STORMWATER AROUND, THROUGH, OR FROM THE EARTH DISTURBANCE AREA SHALL BE A STABILIZED CONVEYANCE DESIGNED TO MINIMIZE EROSION AND THE DISCHARGE OF SEDIMENT OFF SITE.
- CONCRETE WASH WATER SHALL BE CONTAINED AND DISPOSED OF IN ACCORDANCE WITH THE SWMP. NO WASH WATER SHALL BE DISCHARGED TO OR ALLOWED TO ENTER STATE WATERS, INCLUDING ANY SURFACE STORM DRAINAGE SYSTEM OR FACILITIES. CONCRETE WASHOUTS SHALL NOT BE LOCATED IN AN AREA WHERE SHALLOW GROUNDWATER MAY BE PRESENT, OR WITHIN 50 FEET OF A SURFACE WATER BODY, CREEK OR STREAM.
- DURING DEWATERING OPERATIONS OF UNCONTAMINATED GROUND WATER MAY BE DISCHARGED ON SITE, BUT SHALL NOT LEAVE THE SITE IN THE FORM OF SURFACE RUNOFF UNLESS AN APPROVED STATE DEWATERING PERMIT IS IN PLACE.
- EROSION CONTROL BLANKETING OR OTHER PROTECTIVE COVERING SHALL BE USED ON SLOPES STEEP ER THAN 3:1.
- CONTRACTOR SHALL BE RESPONSIBLE FOR THE REMOVAL OF ALL WASTES FROM THE CONSTRUCTION SITE FOR DISPOSAL IN ACCORDANCE WITH LOCAL AND STATE REGULATORY REQUIREMENTS. NO CONSTRUCTION DEBRIS, TREE SLASH, BUILDING MATERIAL WASTES OR UNUSED BUILDING MATERIALS SHALL BE BURIED, DUMPED, OR DISCHARGED AT THE SITE.
- WASTE MATERIALS SHALL NOT BE TEMPORARILY PLACED OR STORED IN THE STREET, ALLEY, OR OTHER PUBLIC WAY, UNLESS IN ACCORDANCE WITH AN APPROVED TRAFFIC CONTROL PLAN. CONTROL MEASURES MAY BE REQUIRED BY EL PASO COUNTY ENGINEERING IF DEEMED NECESSARY, BASED ON SPECIFIC CONDITIONS AND CIRCUMSTANCES.
- TRACKING OF SOILS AND CONSTRUCTION DEBRIS OFF-SITE SHALL BE MINIMIZED. MATERIALS TRACKED OFF-SITE SHALL BE CLEANED UP AND PROPERLY DISPOSED OF IMMEDIATELY.
- THE OWNER/DEVELOPER SHALL BE RESPONSIBLE FOR THE REMOVAL OF ALL CONSTRUCTION DEBRIS, DIRT, TRASH, ROCK, SEDIMENT, SOIL, AND SAND THAT MAY ACCUMULATE IN ROADS, STORM DRAINS AND OTHER DRAINAGE CONVEYANCE SYSTEMS AND STORMWATER APPURTENANCES AS A RESULT OF SITE DEVELOPMENT.
- THE QUANTITY OF MATERIALS STORED ON THE PROJECT SITE SHALL BE LIMITED, AS MUCH AS PRACTICAL, TO THAT QUANTITY REQUIRED TO PERFORM THE WORK IN AN ORDERLY SEQUENCE. ALL MATERIALS STORED ON-SITE SHALL BE STORED IN A NEAT, ORDERLY MANNER, IN THEIR ORIGINAL CONTAINERS, WITH ORIGINAL MANUFACTURER'S LABELS.
- NO CHEMICAL(S) HAVING THE POTENTIAL TO BE RELEASED IN STORMWATER ARE TO BE STORED OR USED ON SITE UNLESS PERMISSION FOR THE USE OF SUCH CHEMICAL(S) IS GRANTED IN WRITING BY THE EGM ADMINISTRATOR. IN GRANTING APPROVAL FOR THE USE OF SUCH CHEMICAL(S), SPECIAL CONDITIONS AND MONITORING MAY BE REQUIRED.
- BULK STORAGE OF ALLOWED PETROLEUM PRODUCTS OR OTHER ALLOWED LIQUID CHEMICALS IN EXCESS OF 55 GALLONS SHALL REQUIRE AN ADEQUATE SECONDARY CONTAINMENT PROTECTION TO CONTAIN ALL SPILLS ON SITE AND TO PREVENT ANY SPILLED MATERIALS FROM ENTERING STATE WATERS. ANY SURFACE OR SUBSURFACE STORM DRAINAGE SYSTEM OR OTHER FACILITIES.
- NO PERSON SHALL CAUSE THE IMPEDIMENT OF STORMWATER FLOW IN THE CURB AND GUTTER OR DITCH EXCEPT WITH APPROVED SEDIMENT CONTROL MEASURES.
- OWNER/DEVELOPER AND THEIR AGENTS SHALL COMPLY WITH THE "COLORADO WATER QUALITY CONTROL ACT" (TITLE 25, ARTICLE 8, CRS), AND THE "CLEAN WATER ACT" (33 USC 1344), IN ADDITION TO THE REQUIREMENTS OF THE LAND DEVELOPMENT CODE, DCM VOLUME II AND THE EGM APPENDIX I ALL APPROPRIATE PERMITS MUST BE OBTAINED BY THE CONTRACTOR PRIOR TO CONSTRUCTION (1041, NPDES, FLOODPLAIN, 404, FUGITIVE DUST, ETC.). IN THE EVENT OF CONFLICTS BETWEEN THESE REQUIREMENTS AND OTHER LAWS, RULES, OR REGULATIONS OF OTHER FEDERAL, STATE, LOCAL, OR COUNTY AGENCIES, THE MOST RESTRICTIVE LAWS, RULES, OR REGULATIONS SHALL APPLY.
- ALL CONSTRUCTION TRAFFIC MUST ENTER/EXIT THE SITE ONLY AT APPROVED CONSTRUCTION ACCESS POINTS.
- PRIOR TO CONSTRUCTION THE PERMITTEE SHALL VERIFY THE LOCATION OF EXISTING UTILITIES.
- A WATER SOURCE SHALL BE AVAILABLE ON SITE DURING EARTHWORK OPERATIONS AND SHALL BE UTILIZED AS REQUIRED TO MINIMIZE DUST FROM EARTHWORK EQUIPMENT AND WIND.
- THE SOILS REPORT FOR THIS SITE SHALL BE CONSIDERED A PART OF THESE PLANS.
- AT LEAST TEN (10) DAYS PRIOR TO THE ANTICIPATED START OF CONSTRUCTION, FOR PROJECTS THAT WILL DISTURB ONE (1) ACRE OR MORE, THE OWNER OR OPERATOR OF CONSTRUCTION ACTIVITY SHALL SUBMIT A PERMIT APPLICATION FOR STORMWATER DISCHARGE TO THE COLORADO DEPARTMENT OF PUBLIC HEALTH AND ENVIRONMENT, WATER QUALITY DIVISION. THE APPLICATION CONTAINS CERTIFICATION OF COMPLETION OF A STORMWATER MANAGEMENT PLAN (SWMP), OF WHICH THIS GRADING AND EROSION CONTROL PLAN MAY BE A PART. FOR INFORMATION OR APPLICATION MATERIALS CONTACT:

COLORADO DEPARTMENT OF PUBLIC HEALTH AND ENVIRONMENT
WATER QUALITY CONTROL DIVISION
WOOD - PERMITS
4300 CHERRY CREEK DRIVE SOUTH
DENVER, CO 80246-1530
ATTN: PERMITS UNIT



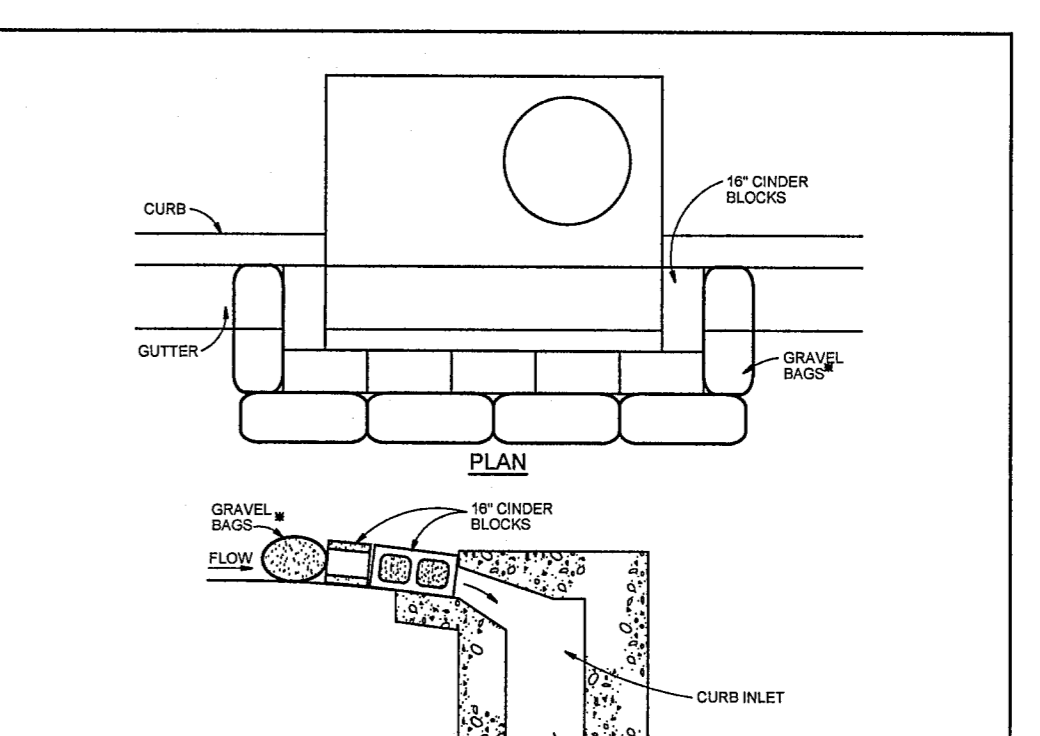
SILT FENCE NOTES
INSTALLATION REQUIREMENTS
1. SILT FENCES SHALL BE INSTALLED PRIOR TO ANY LAND DISTURBING ACTIVITIES.
2. WHEN JOINTS ARE NECESSARY, SILT FENCE GEOTEXTILE SHALL BE SPICED TOGETHER ONLY AT SUPPORT POST AND SECURELY SEALED.
3. METAL POSTS SHALL BE "STUDDO TEE" OR "U" TYPE WITH MINIMUM WEIGHT OF 1.33 POUNDS PER LINEAR FOOT. WOOD POSTS SHALL HAVE A MINIMUM DIAMETER OR CROSS SECTION DIMENSION OF 2 INCHES.
4. THE FILTER MATERIAL SHALL BE FASTENED SECURELY TO METAL OR WOOD POSTS USING WIRE TIES, OR TO WOOD POSTS WITH 3/4" LONG #1 HEAVY-DUTY STAPLES. THE SILT FENCE GEOTEXTILE SHALL NOT BE STAPLED TO EXISTING TREES.
5. WIRE NOT REQUIRED, WIRE MESH FENCE MAY BE USED TO SUPPORT THE GEOTEXTILE. WIRE FENCE SHALL BE FASTENED SECURELY TO THE UPRIGHT SIDE OF THE POSTS USING HEAVY-DUTY WIRE STAPLES AT LEAST 3/4" LONG. THE WIRE OR ROD SHOULD BE EXTENDED INTO THE TRENCH A MINIMUM OF 6" AND SHALL NOT EXTEND MORE THAN 3" ABOVE THE ORIGINAL GROUND SURFACE.
6. ALONG THE TOE OF FILL, INSTALL THE SILT FENCE ALONG A LEAK COVER AND PROVIDE AN AREA BEHIND THE FENCE FOR RUNOFF TO POND AND SEDIMENT TO SETTLE. A MINIMUM DISTANCE OF 5 FEET FROM THE TOE OF THE FILL IS RECOMMENDED.
7. THE HEIGHT OF THE SILT FENCE FROM THE GROUND SURFACE SHALL BE MINIMUM OF 24 INCHES AND SHALL NOT EXCEED 36 INCHES. HIGHER FENCES MAY AROUND VOLUMES OF WATER SUFFICIENT TO CAUSE FAILURE OF THE STRUCTURE.
MAINTENANCE REQUIREMENTS
1. CONTRACTOR SHALL INSPECT SILT FENCES IMMEDIATELY AFTER EACH RAINFALL. AT LEAST DAILY DURING PROLONGED RAINFALL AND WEEKLY DURING PERIODS OF NO RAINFALL. DAMAGED OR INEFFECTIVE SILT FENCES SHALL BE PROMPTLY REPAIRED OR REPLACED.
2. SEDIMENT SHALL BE REMOVED FROM BEHIND SILT FENCES WHEN IT ACCUMULATES TO HALF THE EXPOSED GEOTEXTILE HEIGHT.
3. SILT FENCES SHALL BE REMOVED WHEN ADEQUATE VEGETATIVE COVER IS ATTAINED AS APPROVED BY THE CITY.

City of Colorado Springs Stormwater Quality Figure SF-2 Silt Fence Construction Detail and Maintenance Requirements



VEHICLE TRACKING
INSTALLATION REQUIREMENTS
1. ALL ENTRANCES TO THE CONSTRUCTION SITE ARE TO BE STABILIZED PRIOR TO CONSTRUCTION BEGINNING.
2. CONSTRUCTION ENTRANCES ARE TO BE BUILT WITH AN ASPHALT TO ALLOW FOR TURNING TRAFFIC, BUT SHOULD NOT BE BUILT OVER EXISTING PAVEMENT EXCEPT FOR A SLOTTED OVERLAP.
3. AREAS TO BE STABILIZED ARE TO BE PROPERLY GRADED AND COMPACTED PRIOR TO LAYING DOWN GEOTEXTILE AND STONE.
4. CONSTRUCTION ROADS, PARKING AREAS, LOADING/UNLOADING ZONES, STORAGE AREAS, AND STAGING AREAS ARE TO BE STABILIZED.
5. CONSTRUCTION ROADS ARE TO BE BUILT TO CONFORM TO SITE GRADES, BUT SHOULD NOT HAVE SIDE SLOPES OR ROAD GRADES THAT ARE EXCESSIVELY STEEP.
MAINTENANCE REQUIREMENTS
1. REGULAR INSPECTIONS ARE TO BE MADE OF ALL STABILIZED AREAS, ESPECIALLY AFTER STORM EVENTS.
2. STONES ARE TO BE REAPPLIED PERIODICALLY AND WHEN REPAIR IS NECESSARY.
3. SEDIMENT TRACKED ONTO PAVED ROADS IS TO BE REMOVED DAILY BY SHOVELING OR SWEEPING. SEDIMENT IS NOT TO BE WASHED DOWN STORM SEWER DRAINS.
4. STORM SEWER INLET PROTECTION IS TO BE IN PLACE, INSPECTED, AND CLEANED IF NECESSARY.
5. OTHER ASSOCIATED SEDIMENT CONTROL MEASURES ARE TO BE INSPECTED TO ENSURE GOOD WORKING CONDITION.

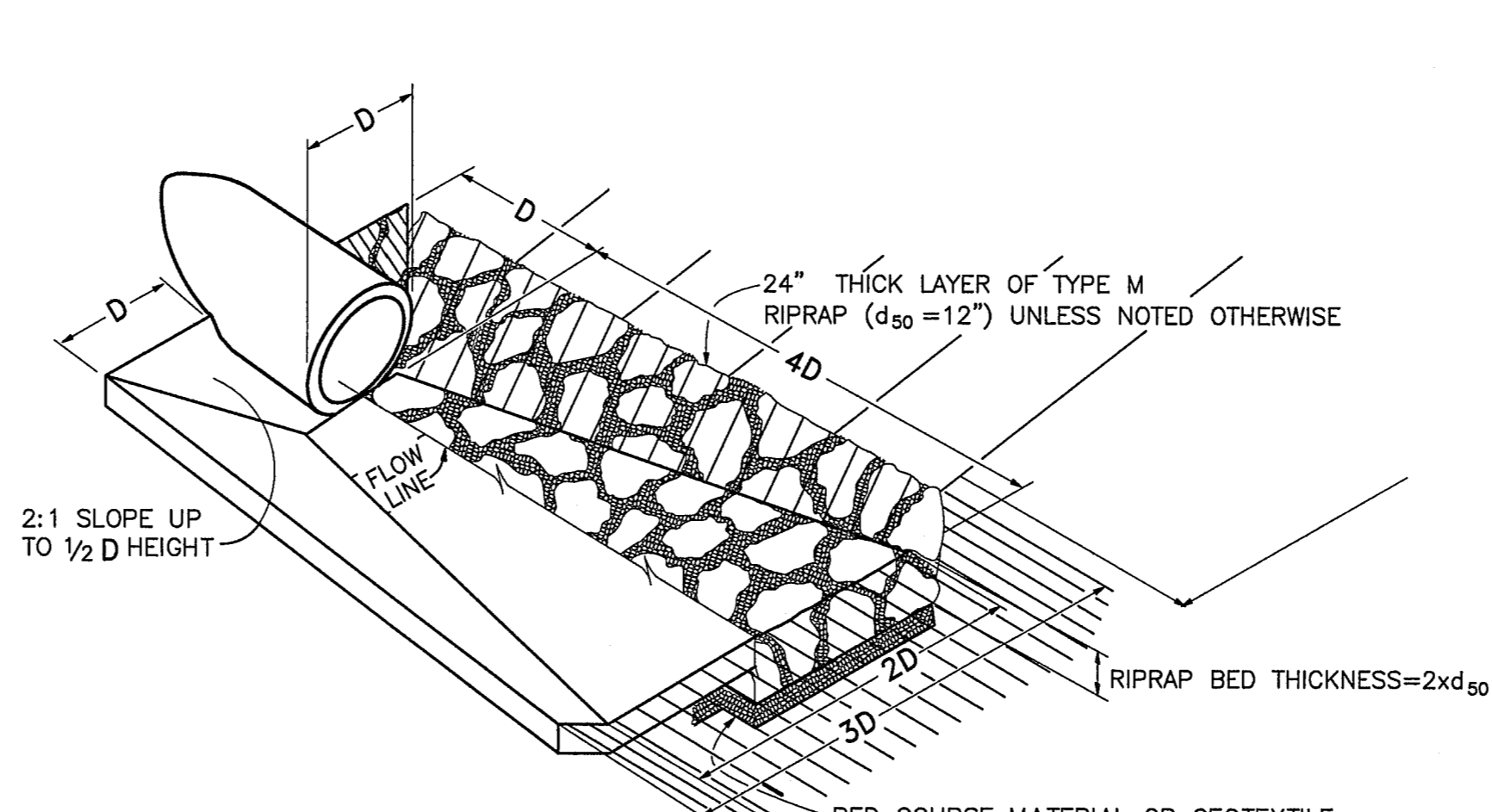
City of Colorado Springs Stormwater Quality Figure VT-2 Vehicle Tracking Application Examples



BLOCK AND GRAVEL BAG CURB INLET PROTECTION
INSTALLATION REQUIREMENTS
1. INLET PROTECTION SHALL BE INSTALLED IMMEDIATELY AFTER CONSTRUCTION OF INLET.
2. CONCRETE BLOCKS ARE TO BE LAID AROUND THE INLET IN A SINGLE ROW WITH THE SEAMS ADJUTING ONE ANOTHER WITH THE OPEN ENDS OF THE BLOCK FACING OUTWARD.
3. GRAVEL BAGS ARE TO BE PLACED AROUND THE CONCRETE BLOCKS CLOSELY ADJUTING ONE ANOTHER SO THERE ARE NO GAPS.
4. GRAVEL BAGS ARE TO CONTAIN WASHED SAND OR GRAVEL APPROXIMATELY 3/4 INCH IN DIAMETER.
5. BAGS ARE TO BE MADE OF 14\"/>

MAINTENANCE REQUIREMENTS
1. CONTRACTOR SHALL INSPECT INLET PROTECTION IMMEDIATELY AFTER EACH RAINFALL AT LEAST DAILY DURING PROLONGED RAINFALL, AND WEEKLY DURING PERIODS OF NO RAINFALL.
2. DAMAGED OR INEFFECTIVE INLET PROTECTION SHALL PROMPTLY BE REPAIRED OR REPLACED.
3. SEDIMENT SHALL BE REMOVED WHEN SEDIMENT HAS ACCUMULATED TO APPROXIMATELY 1/2 THE DESIGN DEPTH OF THE TRAP.
4. INLET PROTECTION SHALL BE REMOVED WHEN ADEQUATE VEGETATIVE COVER IS ATTAINED WITHIN THE DRAINAGE AREA AS APPROVED BY THE CITY.

City of Colorado Springs Stormwater Quality Figure IP-3 Block & Gravel Bag Curb Inlet Protection Construction Detail and Maintenance Requirements



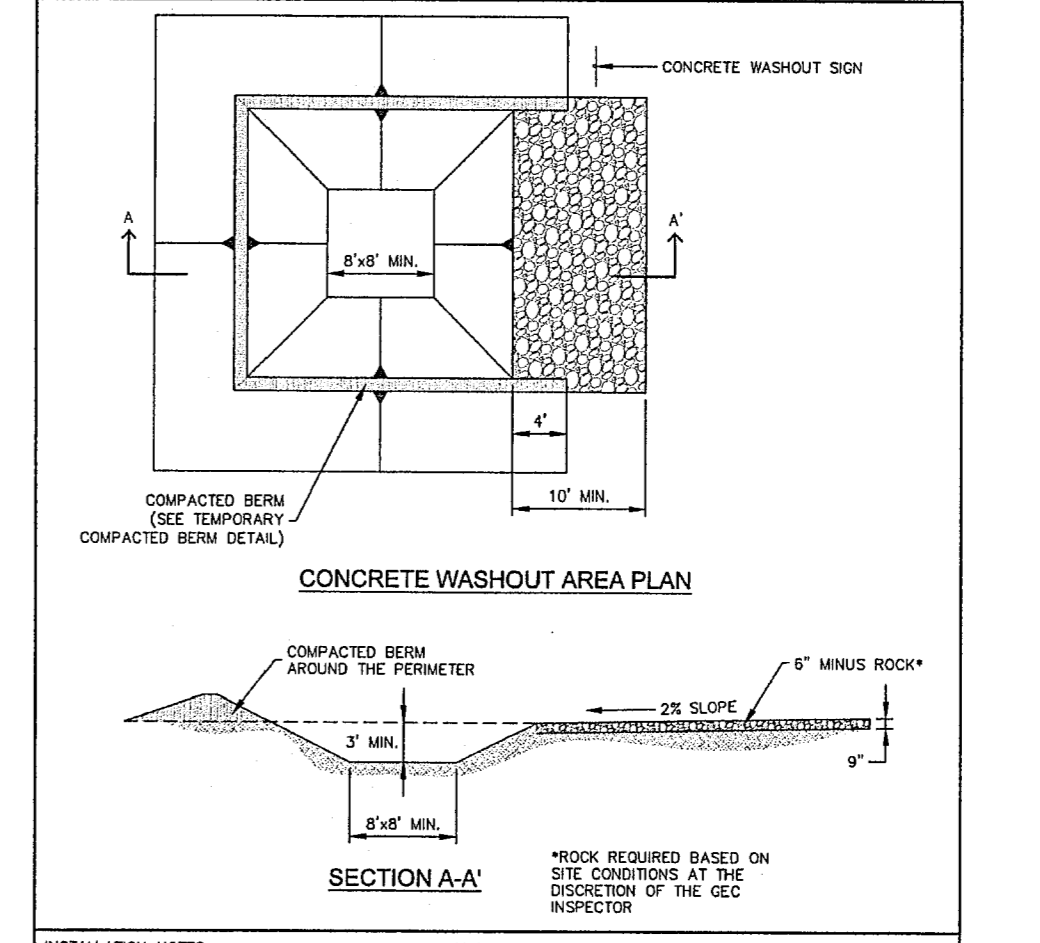
TYPICAL RIPRAP APRON/CULVERT INLET & OUTLET PAVING A NOT TO SCALE

SEEDING MIX:

GRASS	VARIETY	AMOUNT IN PLS LBS. PER ACRE
CRESTED WHEAT GRASS	EPHRAIM OR HYCREST	4.0 LBS.
PERENNIAL RYE	LINN	2.0 LBS.
WESTERN WHEATGRASS	SARTON	3.0 LBS.
SMOOTH BROME GRASS	LINCOLN OR MANCHAR	5.0 LBS.
SIDE OATS GRAMA	EPHRAIM	2.5 LBS.
TOTAL:		16.5 LBS.

SEEDING & FERTILIZER APPLICATION: DRILL SEED OR HYDRO-SEED PER CDOT SPEC. SECTION 212.

MULCHING APPLICATION: CONFORM TO CDOT SPEC-SECTION 213.



INSTALLATION NOTES
1. SEE PLAN VIEW FOR: LOCATION OF CONCRETE WASHOUT AREA.
2. LOCATE AT LEAST 50' AWAY FROM STATE WATERS MEASURED HORIZONTALLY.
3. AN IMPERMEABLE LINER (16 MIL MINIMUM THICKNESS) IS REQUIRED TO MAINTAIN CAPACITY FOR WASH AREA IS LOCATED WITHIN 400' OF STATE WATERS OR 100' OF WELLS OR DRINKING WATER SOURCES.
4. DO NOT LOCATE IN AREAS WHERE SHALLOW GROUNDWATER MAY BE PRESENT.
5. THE CONCRETE WASH AREA SHALL BE INSTALLED PRIOR TO CONCRETE PLACEMENT ON SITE.
6. CONCRETE WASH AREA SHALL INCLUDE A FLAT SUBSURFACE FIT THAT IS AT LEAST 8' BY 8'.
7. SOIL SURROUNDING SIDES AND BACK OF CONCRETE WASH AREA SHALL HAVE A MINIMUM HEIGHT OF 2 FEET.
8. CONCRETE WASH AREA ENTRANCE SHALL BE SLOPED 2% TOWARDS THE CONCRETE WASH AREA.
9. STONE SHALL BE PLACED AT THE CONCRETE WASH AREA.
10. USE EXCAVATED MATERIAL FOR PERIMETER BEEM CONSTRUCTION.

MAINTENANCE NOTES
1. FREQUENT OBSERVATIONS AND MAINTENANCE ARE NECESSARY TO MAINTAIN CONTROL MEASURES IN EFFECTIVE OPERATING CONDITION. INSPECTIONS AND CORRECTIVE WORKING SHOULD BE DOCUMENTED THROUGHOUT.
2. THE CONCRETE WASH AREA SHALL BE REPAIRED, CLEANED, OR RECONSTRUCTED AS NECESSARY TO MAINTAIN CAPACITY FOR CONCRETE WASTE. CONCRETE MATERIALS ACCUMULATED IN THE FIT SHALL BE REMOVED ONCE THE MATERIALS HAVE REACHED A DEPTH OF 1/3 THE HEIGHT OF THE CONCRETE WASH AREA.
3. CONCRETE WASHOUT WATER, WASTED PIECES OF CONCRETE, AND ALL OTHER DEBRIS IN THE SUBSURFACE FIT SHALL BE TRANSPORTED FROM THE JOB SITE IN A WATER-TIGHT CONTAINER AND DISPOSED OF PROPERLY.
4. THE CONCRETE WASH AREA SHALL REMAIN IN PLACE UNTIL ALL CONCRETE FOR THE PROJECT IS PLACED.
5. PERMANENTLY STABILIZE AREA AFTER CONCRETE WASH AREA IS REMOVED.

ESTIMATED TIME SCHEDULE:

INSTALL BMP'S	APRIL, 2023
GRADING START	APRIL, 2023
GRADING COMPLETION	MAY, 2024
SEEDING & MULCHING	MAY, 2024
STABILIZATION	SEPTEMBER, 2025

SEDIMENT CONTROL MAINTENANCE PROGRAM:

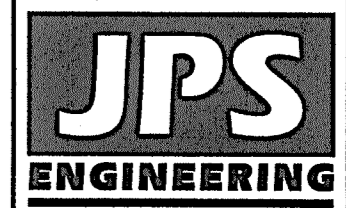
	FREQUENCY
PERIODIC SITE INSPECTIONS	BI-WEEKLY
RE-VEGETATION OF EXPOSED SOILS	WITHIN 21 DAYS OF GRADING
SEDIMENT REMOVAL FROM BMP'S	MONTHLY
REMOVAL OF BMP'S	AFTER STABILIZATION ACHIEVED

- AND AFTER ANY PRECIPITATION OR SNOW MELT EVENT THAT CAUSES SURFACE EROSION.
- ACCUMULATED SEDIMENT AND DEBRIS SHALL BE REMOVED WHEN THE SEDIMENT LEVEL REACHES ONE HALF THE HEIGHT OF THE BMP OR AT ANY TIME THAT SEDIMENT OR DEBRIS ADVERSELY IMPACTS THE FUNCTION OF THE BMP.

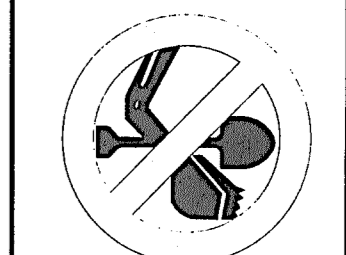
**STRUTHERS RANCH POLARIS
LOTS 1-2, STRUTHERS RANCH SUBDIVISION FILING NO. 4**

**EROSION CONTROL
NOTES AND DETAILS**

HORIZ. SCALE:	NTS	DRAWN:	PV
VERT. SCALE:	N/A	DESIGNED:	JPS
SURVEYED:	COMPASS	CHECKED:	JPS
CREATED:	05/27/20	LAST MODIFIED:	04/06/23
PROJECT NO:	032203	MODIFIED BY:	PV
SHEET:	C4.2		

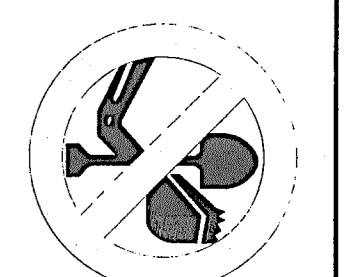


19 E. Willamette Ave.
Colorado Springs, CO
80903
PH: 719-477-9429
FAX: 719-471-0766
www.jpsegr.com



CALL UTILITY NOTIFICATION
CENTER OF COLORADO
1-800-922-1987
CALL 2-BUSINESS DAYS IN ADVANCE
BEFORE YOU DIG, GRADE, OR EXCAVATE
FOR THE MARKING OF UNDERGROUND
UTILITY UTILITIES.

NO.	REVISION	DATE



CALL UTILITY NOTIFICATION
CENTER OF COLORADO
1-800-922-1987
CALL 2-BUSINESS DAYS IN ADVANCE
BEFORE YOU DIG, GRADE, OR EXCAVATE
FOR THE MARKING OF UNDERGROUND
MEMBER UTILITIES.

No.	REVISION	BY	DATE

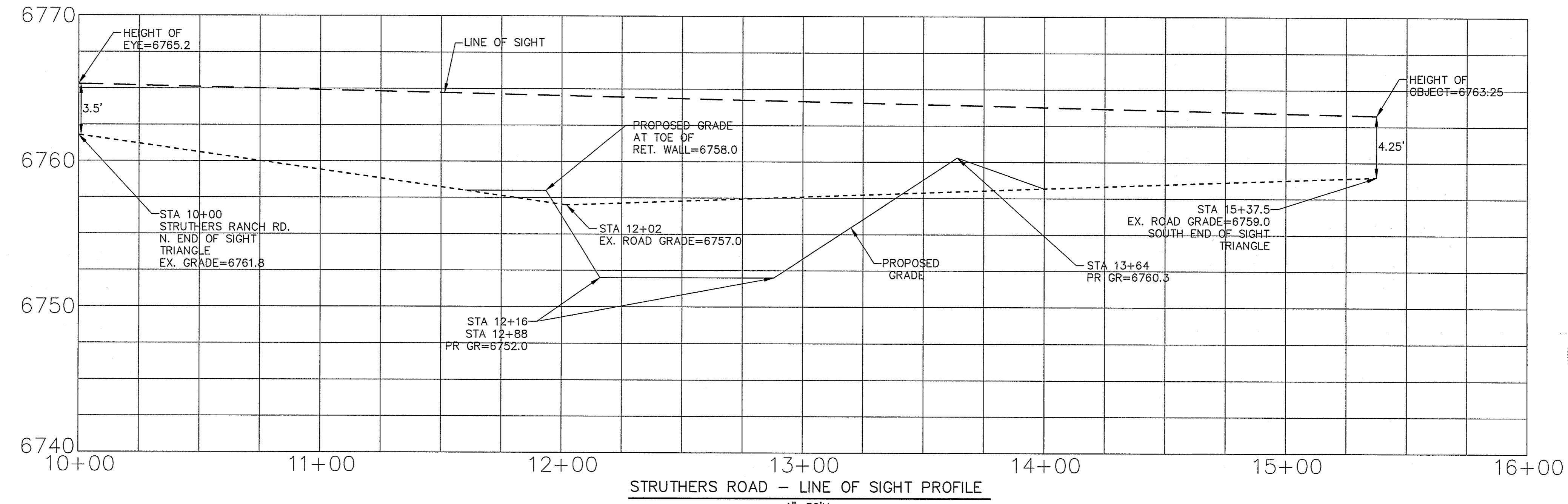
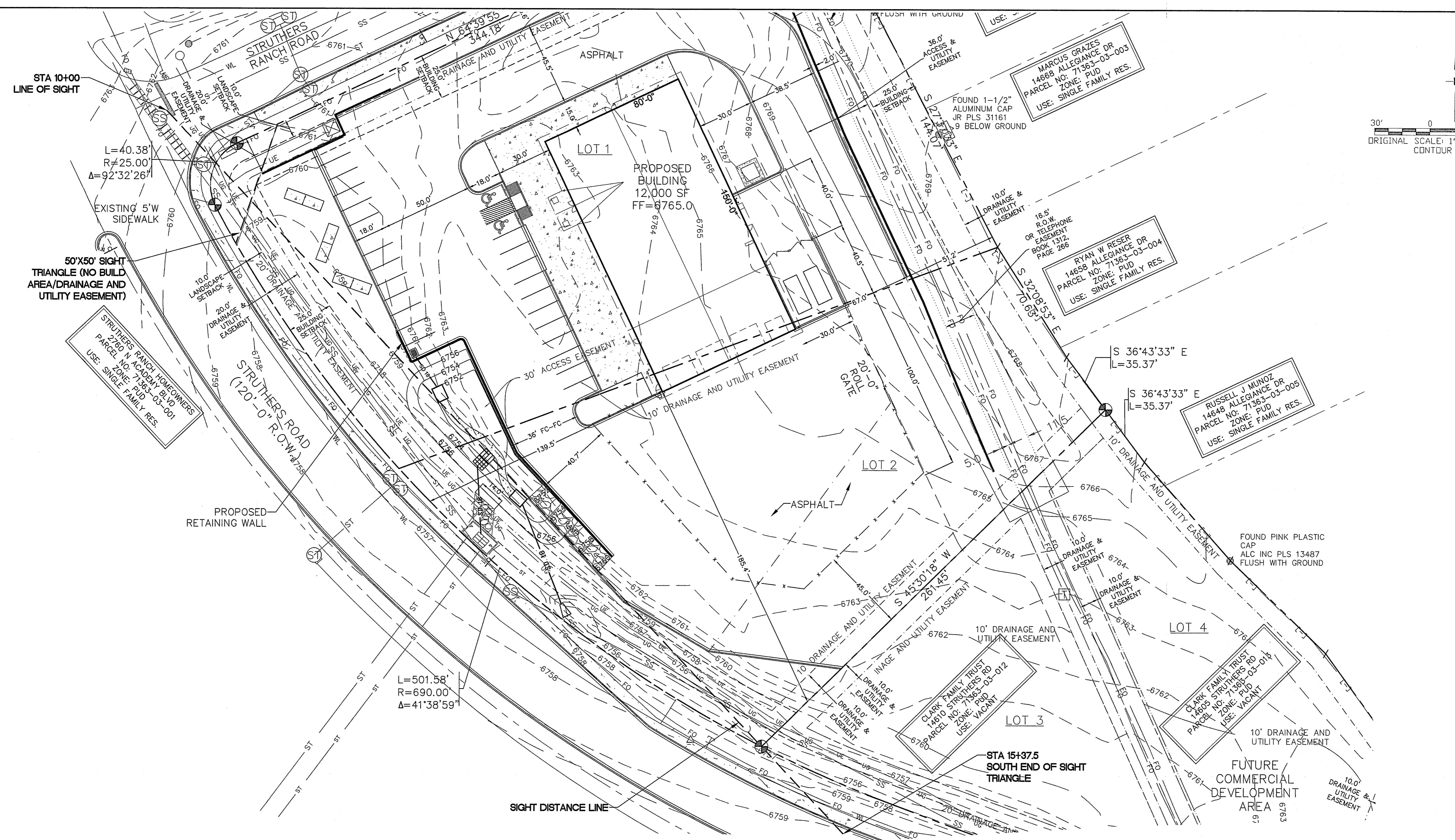
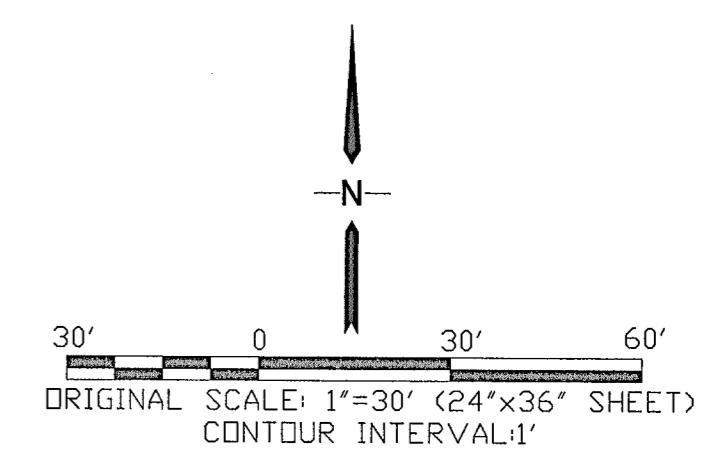
STRUTHERS RANCH POLARIS
LOTS 1-2, STRUTHERS RANCH SUBDIVISION FILING NO. 4

STRUTHERS ROAD
LINE OF SIGHT EXHIBIT



HORZ. SCALE: 1"=30'	DRAWN: PV
VERT. SCALE: 1"=5'V	DESIGNED: JPS
SURVEYED: COMPASS	CHECKED: JPS
CREATED: 05/27/20	LAST MODIFIED: 04/07/23
PROJECT NO: 032203	MODIFIED BY: PV
SHEET:	

C5.1



BENCHMARK:
SOUTHWEST OF SOUTHERLY CORNER
ELEV. 6707.46'(NAVD-1988)

STRUTHERS ROAD - LINE OF SIGHT PROFILE
1"=30'H
1"=5'V