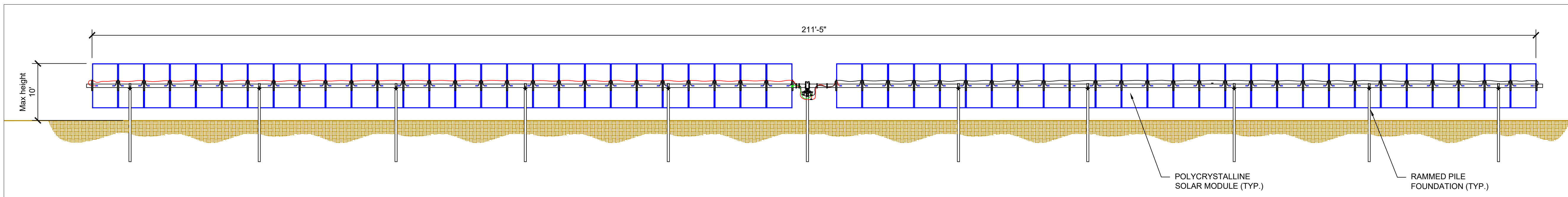


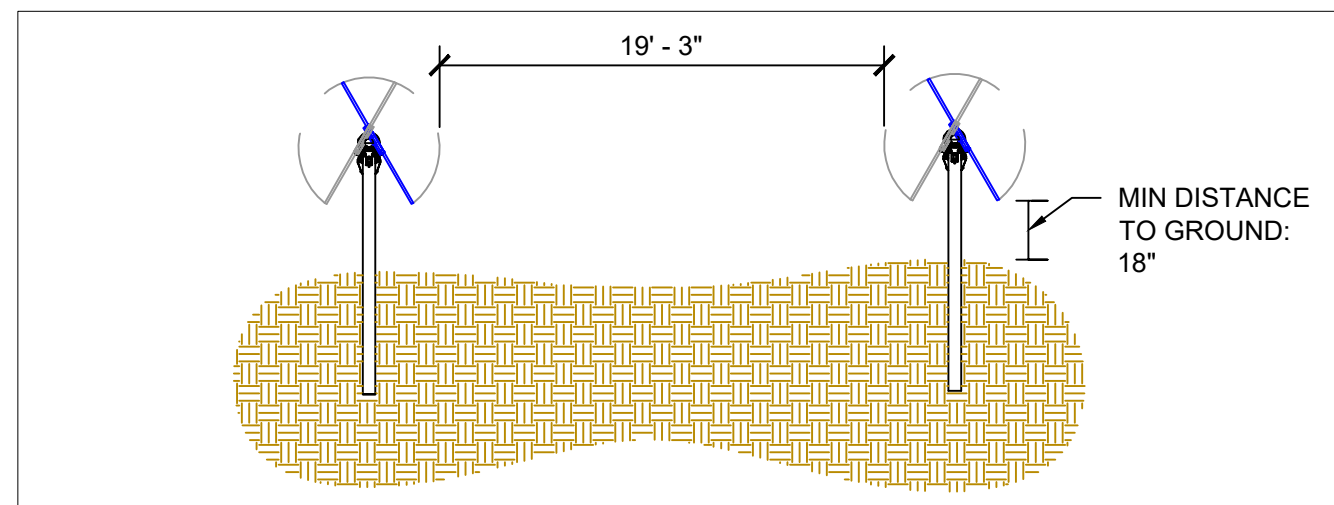
PIKE SOLAR LLC



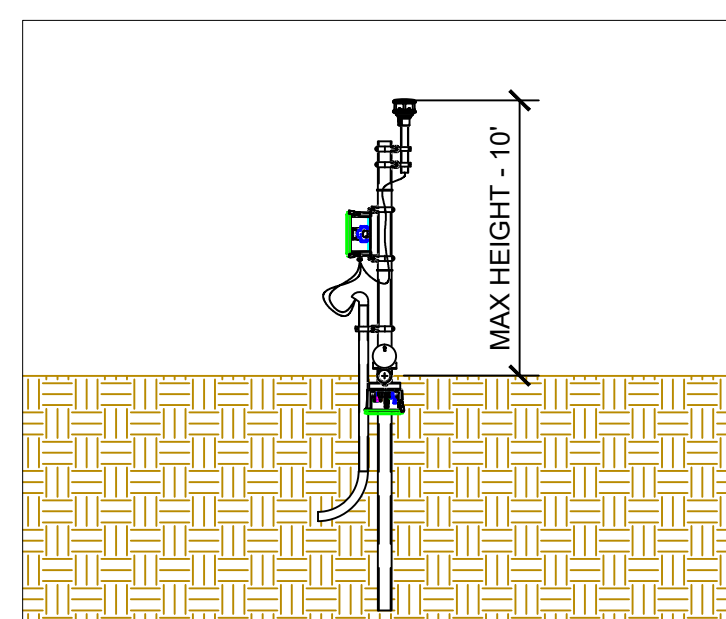
Appendix U- Elevation Plans



1 TYPICAL TRACKING ARRAY - FRONT ELEVATION
09.1 SCALE: NTS

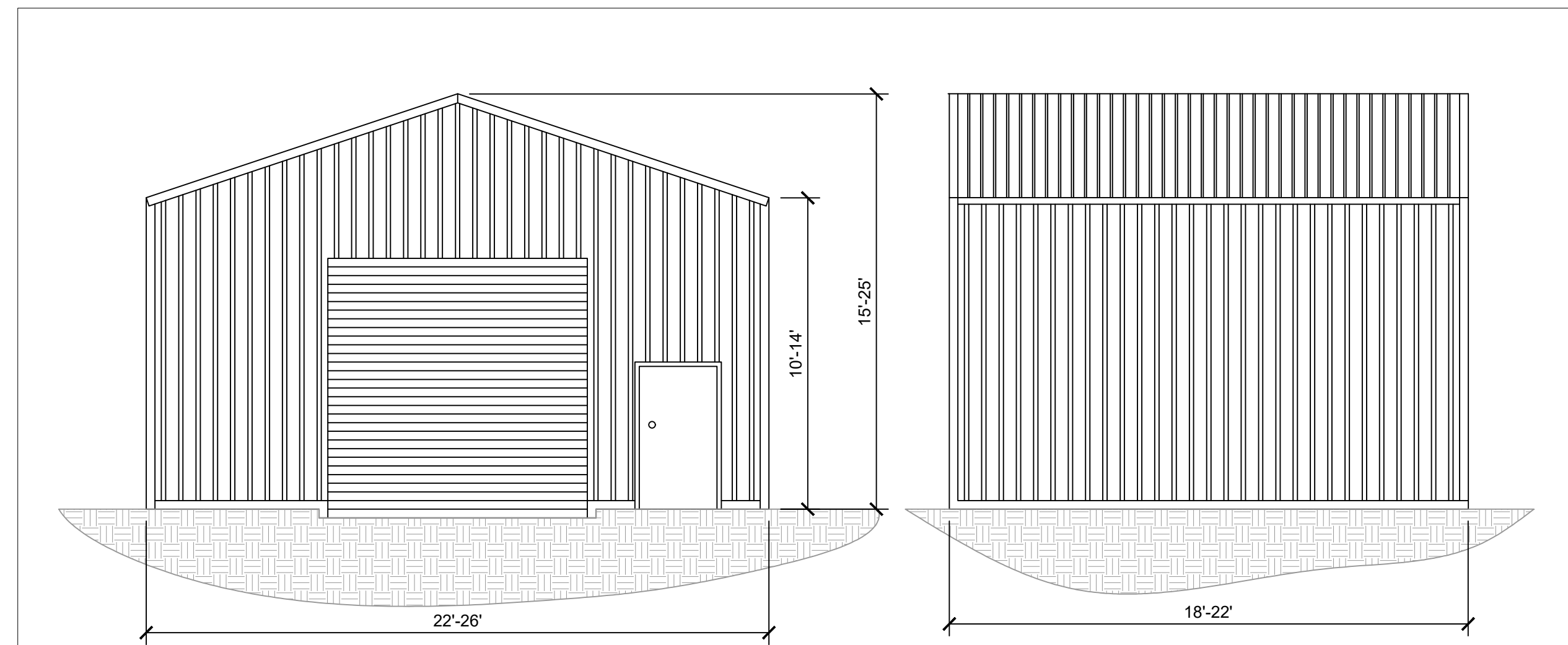


2 TYPICAL TRACKING ARRAY - SIDE ELEVATION
09.1 SCALE: NTS

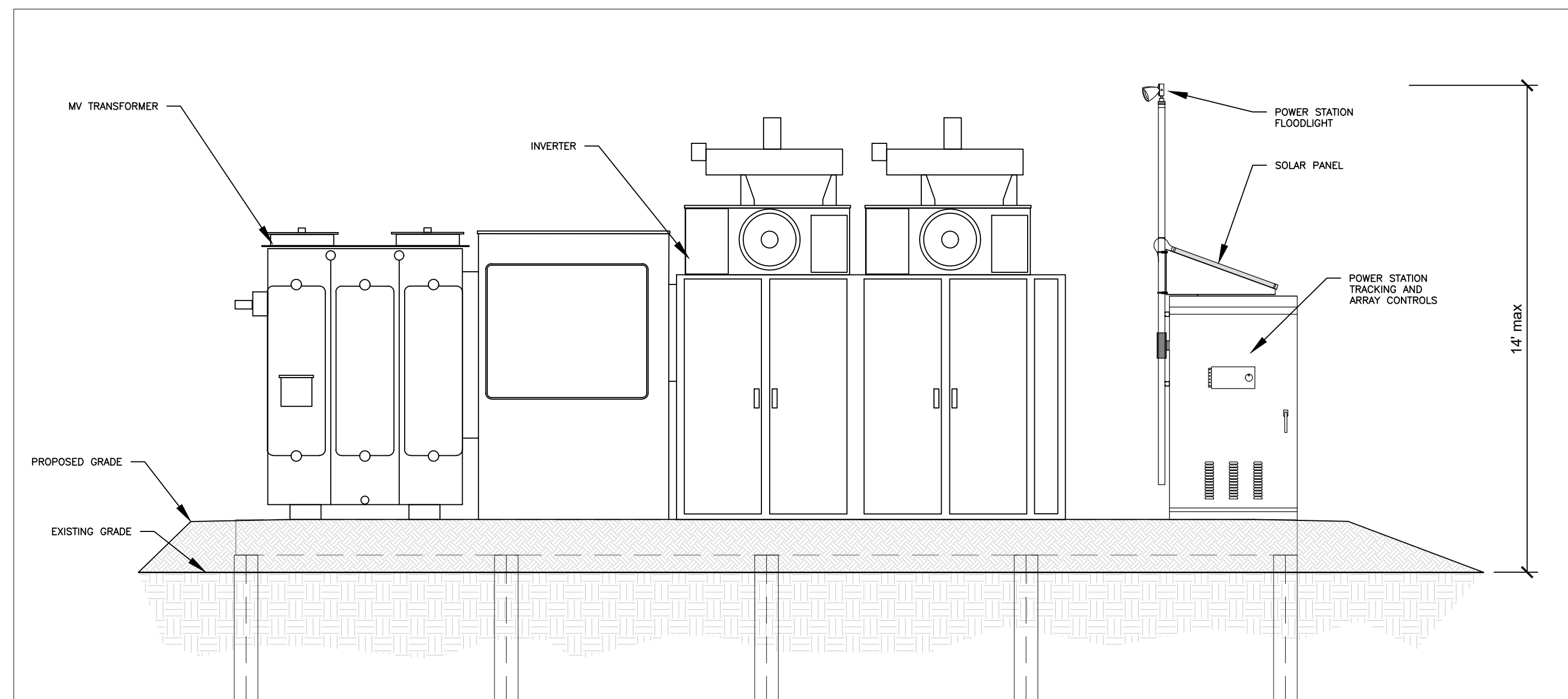


ALL ANEMOMETERS AND MET STATIONS SHALL ADHERE TO WSEO SETBACK OF 1.5:1 PER SECTION 4.3.5 OF EL PASO COUNTY LAND DEVELOPMENT CODE

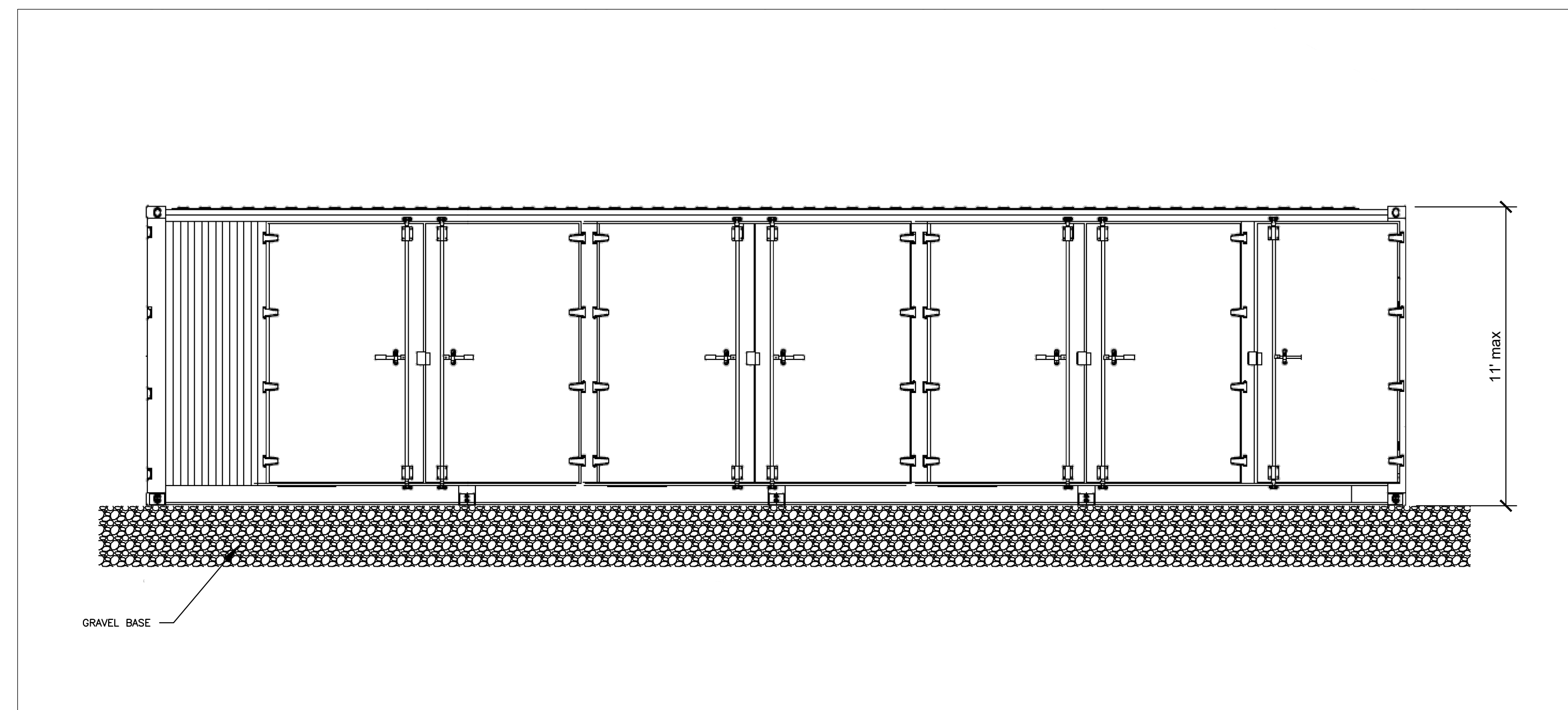
3 TYPICAL ANEMOMETER - SIDE ELEVATION
09.1 SCALE: NTS



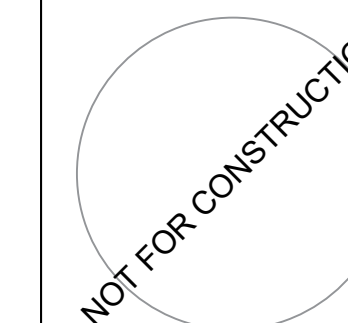
4 O&M/STORAGE SHED - FRONT AND SIDE ELEVATIONS
09.1 SCALE: NTS



5 POWER STATION - FRONT ELEVATION
09.1 SCALE: NTS



6 BESS CONTAINER - FRONT ELEVATION
09.1 SCALE: NTS



PROPRIETARY AND CONFIDENTIAL
 TO BE REPRODUCED IN COLOR
 PRINT SIZE: ARCH D
 ISSUED BY: JSC
 SCALE: 1/8" = 1'-0"
 SCALE: NTS
 DWG #:

09.2

DWG TITLE:
SITE PLAN ELEVATIONS

MATERIAL LIST

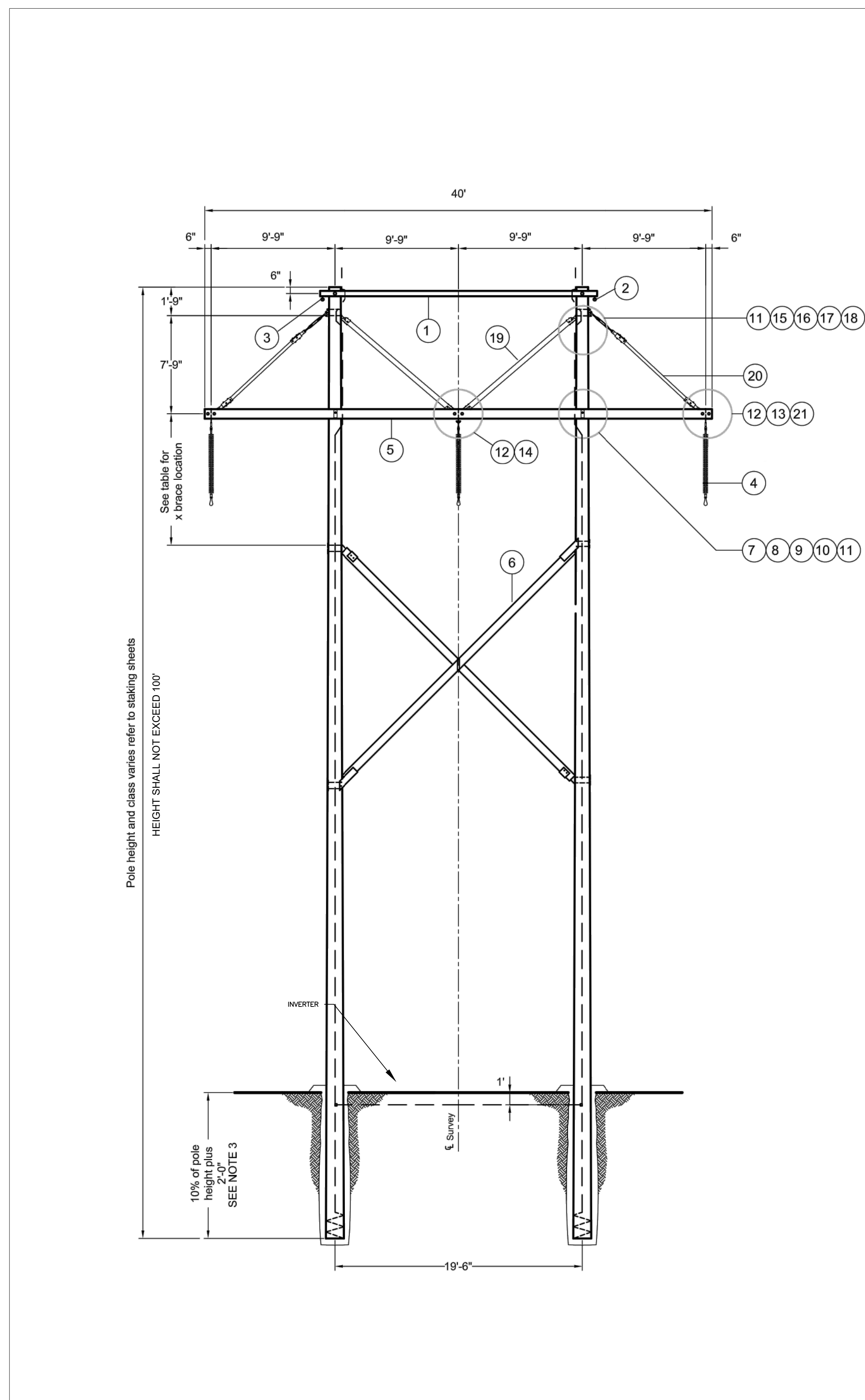
REF.	REQ'D	DESCRIPTION	MFR.	CATALOG NO.	DETAIL DWG.
1	1	Tie angle OHSW support	Hughes	C3338.1A	TM-7D
2	1	OHSW suspension assembly			TM-4A
3	1	OPGW suspension assembly			TM-4FB
4	3	230kV Suspension insulator assembly			TM-1A
5	2	40' Crossarm type 81, 5 1/8" x 7 1/2"	Hughes	C3338.17A-1	TCD-1
6	1	X-brace assembly 19-6" SP, 20K			TM-110D
7	2	Threaded rod, 7/8 x 28" W/ 2 Nuts	Hughes	TR828-F2N	
8	4	Ribbed tie plate 3" x 9.5", 15/16" Hole	Hughes	1005.810	
9	4	Grid gain 4" x 6 3/4", 15/16" Hole	Hughes	1262-A	
10	2	Spring washer, 15/16" Hole	Hughes	2702.8	
11	8	7/8" Locknut, MF Type	Hughes	MF80	
12	3	Spacer assembly, adjustable (included W/ assembled arm)	Hughes	3414.2WF-100	TM-111B
13	2	Bent bolt, 7/8" x 6 1/2", W/ recessed nut, locknut	Hughes	2722.2A	
14	1	Bent stud, 7/8" x 10", W/2 recessed nuts, locknuts	Hughes	2722.2B	
15	4	Machine bolt, 7/8" x 14"	Hughes	B814-6	
16	2	Grid gain 4" x 4", 15/16" hole	Hughes	1263-A	
17	2	Washer, curved, 4" SQ x 1/4", 15/16" hole	Hughes	CW80	
18	2	Deadend tee, 15/16" Holes	Hughes	2817-D	
19	2	Crossarm brace 3 3/8" x 5 3/8"	Hughes	2037BDV144.81	
20	2	Adjustable tension brace W/ turnbuckle, 3 3/8" x 4 3/8"	Hughes	2043-A138	
21	2	Twisted clip	Hughes	AS2276-37	

NOTES:

1. Double crossarms shall be shipped with factory assembled hardware.
2. Pole holes may be field drilled and thoroughly treated with a heavy application of copper naphthanate. Hole diameter to be no more than 1/16" greater than bolt diameter.
3. Pole embedment depth will vary to fit sloping grade elevations. See specifications.
4. Crossarm brace and tension brace timber lengths and end connection details shall be verified by manufacturer.
5. Bolt lengths will vary depending on pole diameter.
6. Equivalent manufacturer/catalog no. may be substituted.
7. Poles, pole ground and other items specified on staking sheets are separate units.

X-BRACE LOCATION FROM CENTERLINE OF CROSSARM

Pole Length	X-Brace Location
65	11'-0"
70	11'-0"
75	11'-0"
80	11'-0"
85	12'-0"
90	14'-0"
95	16'-0"



1 OVERHEAD ELECTRIC TOWER
 09.2 SCALE: NTS



REV.	DATE	BY	CHKD.	APPD.	DESCRIPTION
A	05/01/2024	DGD	XXX	XXX	ISSUED FOR PERMITS

DRAWN BY: DGD LATEST REV: 0 (SP)

WIND/SOLAR ENERGY GENERATION OVERLAY PLAN
PCD EA NUMBER: EA20-134

NOT FOR CONSTRUCTION

PROPRIETARY AND CONFIDENTIAL
 TO BE REPRODUCED IN COLOR
 PRINT SIZE: ARCH D
 ISSUED BY: JWB
 SCALE: 1/8"=1'-0"
 SCALE: NTS
 DWG #

09.3

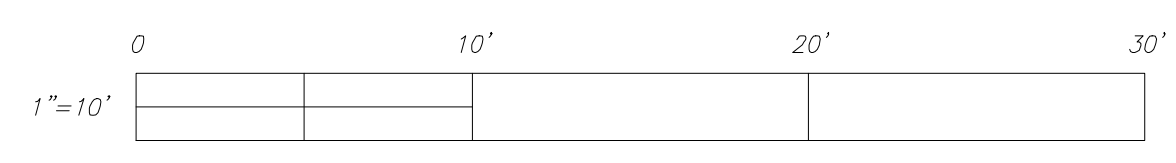
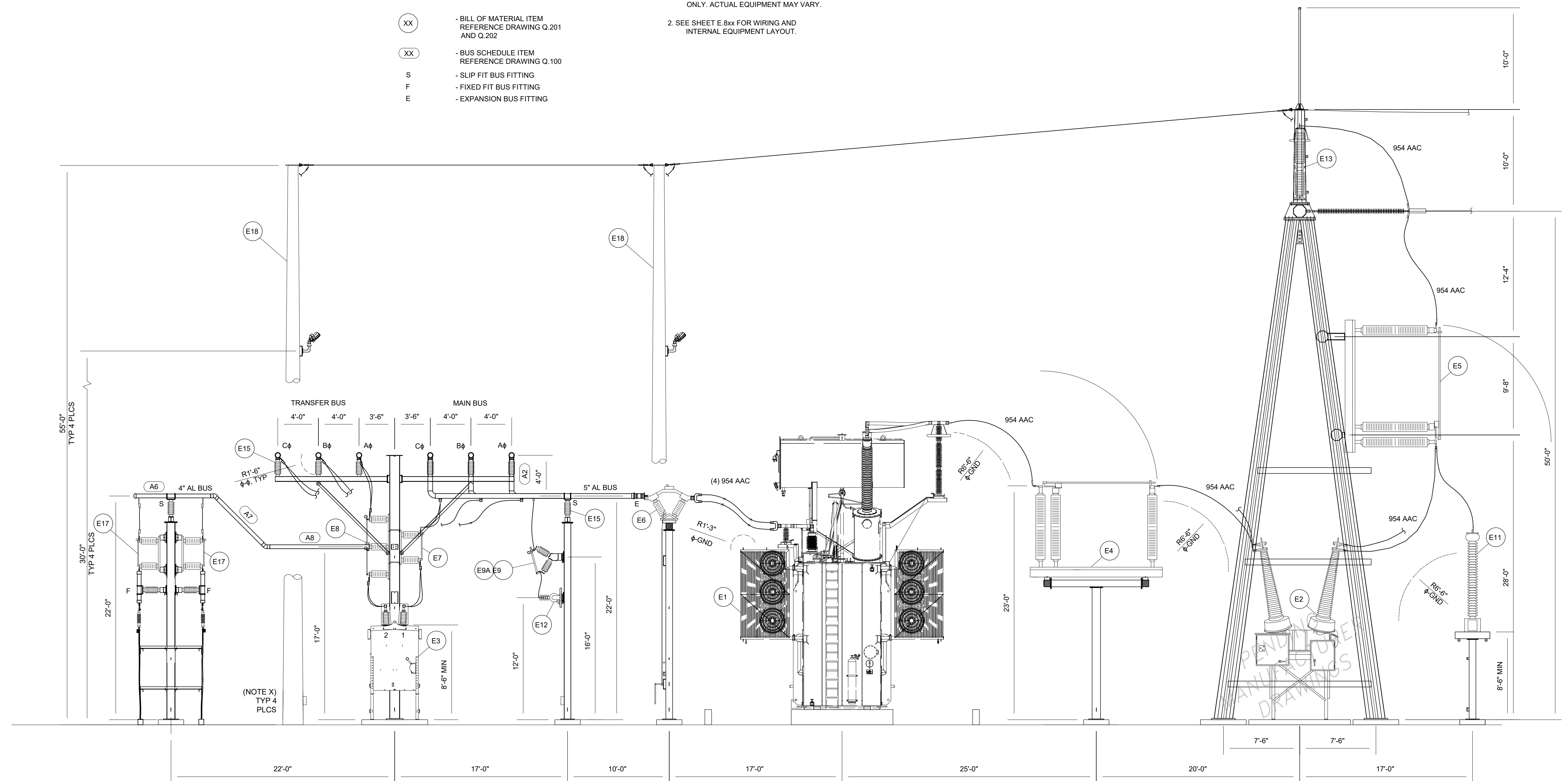
DWG TITLE:
SITE PLAN ELEVATIONS

LEGEND

- NEW CONSTRUCTION
- (XX) - BILL OF MATERIAL ITEM REFERENCE DRAWING Q.201 AND Q.202
- (XX) - BUS SCHEDULE ITEM REFERENCE DRAWING Q.100
- S - SLIP FIT BUS FITTING
- F - FIXED FIT BUS FITTING
- E - EXPANSION BUS FITTING

NOTES

1. EQUIPMENT SHOWN FOR REFERENCE ONLY. ACTUAL EQUIPMENT MAY VARY.
2. SEE SHEET E.8xx FOR WIRING AND INTERNAL EQUIPMENT LAYOUT.



B SECTION
 Q.100

MESA ASSOCIATES, INC.
 ENGINEERS AND CONSULTANTS
 10604 MURDOCK DRIVE KNOXVILLE, TN 37932
 (865) 671-5400

REV	DESCRIPTION	DATE	DRAWN	CHECK	APPR
3					
2					
B	60% REVIEW	07/01/21	BLW	BVB	PSF
A	30% REVIEW	02/11/21	BLW	BVB	PSF

juwi
 1710 29th St. Suite 1068
 Boulder, CO 80301
 www.juwiamerica.com

PIKE SUBSTATION SECTION B

SIZE	MESA STATE REG.	DWG NO.	REV
B	20061287627	Q102	B
SCALE	AS SHOWN	PROJECT NO.	SHEET 1 OF 1
		20716001	

1 SUBSTATION ELEVATIONS
 09.3 SCALE: NTS

CAD FILE: C:\USERS\BLWATSON\DOCUMENTS\VAULT\DESIGNS\JUWI\20716001 PIKE SOLAR\DRAWINGS\Q102 SECTION B.DWG. Irvanson, 1/26/2021