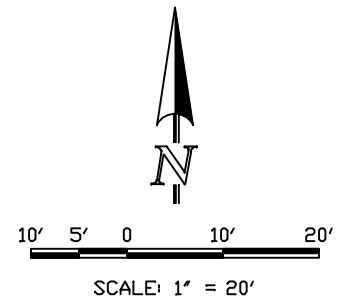
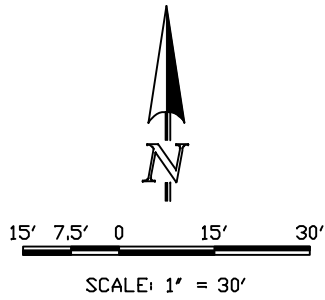
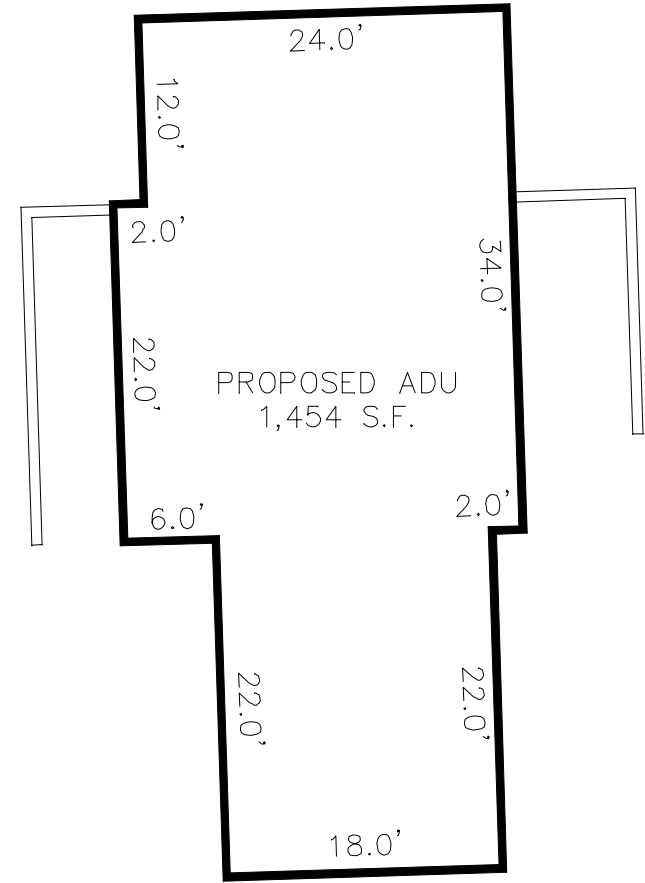
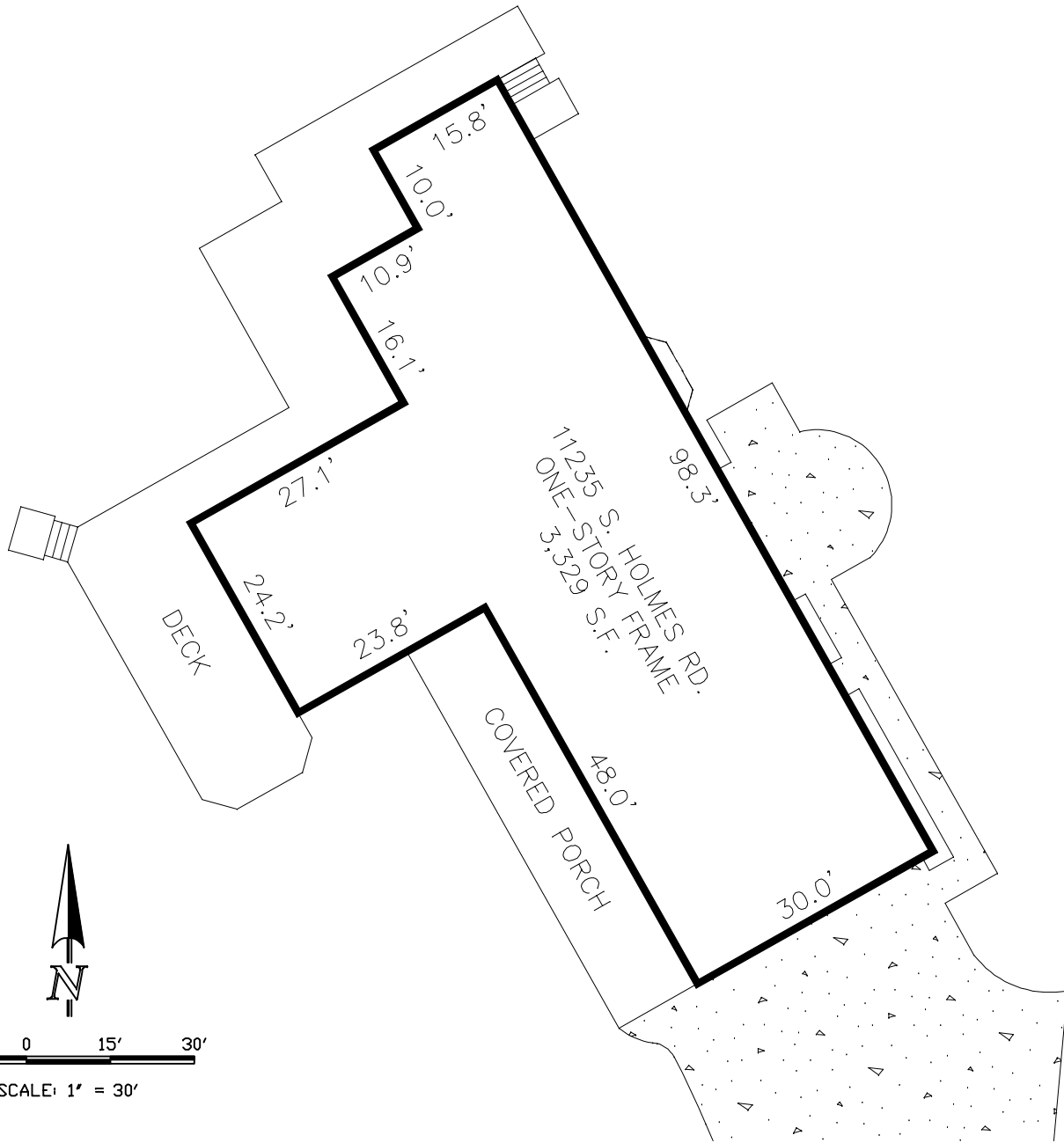


PLOT PLAN  
(THIS IS NOT A PROPERTY SURVEY)



DATE OF PREPARATION: 12/11/2020  
JOB NUMBER: 20311-01



**EAGLE**

LAND SURVEYING INC.  
P.O. BOX 5365  
COLORADO SPRINGS, CO 80931  
PHONE: (719) 382-4150  
FAX: (719) 382-3290