

SFD26452  
 PLAT: 15557  
 ZONE: PUD

It is the owner's responsibility to coordinate with easement holders to avoid impact to utilities that may be located in the easements.

ANY APPROVAL GIVEN BY EL PASO COUNTY DOES NOT OVIATE THE NEED TO COMPLY WITH APPLICABLE FEDERAL, STATE, OR LOCAL LAWS AND/OR REGULATION

Planning & Community Development Department approval is contingent upon compliance with all applicable notes on the recorded plat.

An access permit must be granted by the Planning & Community Development Department prior to the establishment of any driveway onto a County road.

Diversion of blockage of any drainage way is not permitted without approval of the Planning & Community Development Department

APPROVED  
 Plan Review

05/27/2026 9:03:20 AM  
 dschambers

EPC Planning & Community  
 Development Department

2066.1 F1 ELEVATION

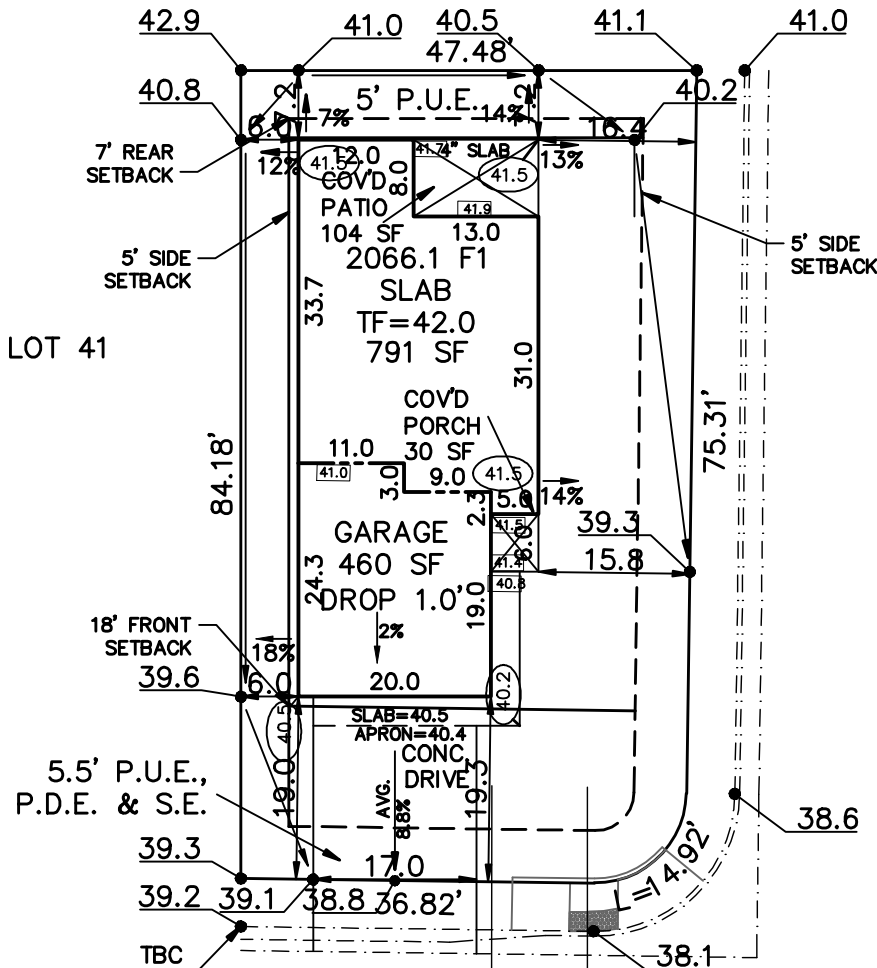
AVERAGE FINISH GRADE = (AFG)

$$AFG = \frac{41.5(3)+40.5}{4} = 41.3$$

$$BUILDING HEIGHT = 22.0 + (SLAB - AFG) =$$

$$BUILDING HEIGHT = 22.0 + (42.0 - 41.3) = 22.7$$

Released for Permit  
 05/21/2026 9:16:45 AM  
 Brent  
 ENUMERATION



HAVENWARD VIEW  
 (PRIVATE ROAD)

LEGEND  
 (00.0) FINISH GRADE  
 (00.0) CONC. GRADE

FLAT WORK:  
 4" DRIVEWAY 326 SF  
 6" DRIVEWAY SF  
 4" SIDEWALK 570 SF  
 6" SIDEWALK 85 SF  
 PATIO 64 SF  
 WALK 56 SF  
 PORCH 30 SF

ZONING PUD  
 SCHEDULE No. 6512201209

HAVEN COVE POINT  
 (PRIVATE ROAD)

**WARNING!**

1. LOCATE UNDERGROUND UTILITIES PRIOR TO EXCAVATION.
2. THIS PLOT PLAN SHOWS IMPROVEMENTS AT GRADE ONLY. SEE FOUNDATION PLANS FOR STRUCTURAL INFORMATION

**SITE DATA**

LOT SQ. FT. = 3943  
 HOUSE SQ. FT. = 1385  
 COVERAGE = 35.1%  
 BLDG. HEIGHT = 22.7

**MINIMUM SETBACKS**

FRONT HOME 18' CORNER 5'  
 REAR 7' SIDE 5'

**SCALE: ...1"=20'**

DRAWN BY: TAP

ASPEN LAND CONSULTANTS, LLC  
 11670 SILVER CHARM WAY  
 COLORADO SPRINGS, COLORADO 80921

( IN FEET )  
 1 inch = 20 ft.



**PLOT PLAN**

**LEGAL DESCRIPTION**

LOT 40  
 HAVEN VALLEY SUBDIVISION  
 EL PASO COUNTY, COLORADO

**ADDRESS**

4599 HAVEN COVE POINT

**PREPARED FOR**

CHALLENGER  
 HOMES

**TITLE CO. FILE NO.**

**DRAWING NAME**

HVS-40

**DATE**

05-14-26

**PROJECT NO.**

# SITE



2023 PPRBC  
2021 IECC Amended

Address: 4599 HAVEN COVE PT, COLORADO SPRINGS

Parcel: 6512201209

Plan Track #: 213412 

Received: 21-May-2026 (BRENT)

## Description:

### RESIDENCE

Type of Unit:

Garage	430	
Main Level	825	
Upper Level 1	1241	
	2496	Total Square Feet

## Required PPRBD Departments (3)

**Enumeration**

**APPROVED**

**BRENT**

**5/21/2026 9:17:07 AM**

**Floodplain**

**(N/A) RBD GIS**

**Construction**

**N/A**

**05/21/2026 11:38:02 AM**

**REGIONAL Building Department**

**brianb**

**CONSTRUCTION**

## Required Outside Departments (1)

**County Zoning**

**APPROVED**

**Plan Review**

**05/27/2026 9:03:36 AM**

**dsdchambers**

**EPC Planning & Community Development Department**

Release of this plan does not preclude compliance with all applicable codes, ordinances and other pertinent regulations. This plan set must be present on the job site for every inspection.



2880 International Circle, Suite 110  
 Colorado Springs, CO 80910  
 Phone: 719-520-6300  
 Email: Stormwater@elpasoco.com  
[publicworks.elpasoco.com/stormwater/](http://publicworks.elpasoco.com/stormwater/)

EPC STORMWATER APPROVAL:

<p><b>APPROVED</b></p> <p>05/20/2026 11:04:58 AM</p> <p><i>Erica Rylander</i></p> <p>EPC Department of Public Works</p>
---

**EL PASO COUNTY**  
**STORMWATER PERMIT FORM**  
**Associate Erosion and Stormwater Quality Control Permit (AESQCP)**

**Stormwater Permit Number:** ASQ 2620

This form initially acts as the permit application. Only once this form has been signed & approved, all other required documents have been submitted & approved, and the Notice to Proceed has been issued, does this form become an active permit. The AESQCP is for single-family residential home construction within a Larger Common Plan of Development (see ECM Appendix I.3).

<b>Part I. Home Builder/Operator (Permit Holder)</b>	
Company	Challenger Building LLC
Name of Responsible Individual	Jason Trynoski
Title	Area Manager (COS/Northern CO)
Physical Address (not PO Box)	
Street Number and Street Name	8605 Explorer Dr Ste 250
City, State, Zip Code	Colorado Springs, CO 80920
Mailing Address (if differs from above)	
Street Number and Street Name	
City, State, Zip Code	
Phone Number - Office	(719) 598-5192
Phone Number - Cell	303-210-0327
Email Address	Jason@ChallengerHomes.com

<b>Part II. Property Owner</b>
<i>Check the box next to the applicable Property Owner statement.</i>
<input checked="" type="checkbox"/> The Property Owner is the same entity as listed in Part I. Home Builder/Operator <input type="checkbox"/> The Property Owner is a different entity than listed in Part I. Home Builder/Operator <i>If the Home Builder/Operator is not the Property Owner of one or more lots, please provide the Property Owner's information in Table 1 on Page 5 of this application.</i>

<b>Part III. Qualified Stormwater Manager (QSM)*</b>	
Company/Organization	Challenger Building LLC
Name	Jason Trynoski
Phone Number - Office	
Phone Number - Cell	303-210-0327
Email Address	Jason@challengerhomes.com

\*This section can be left blank through Stormwater Permit Application review but must be filled in no later than at the Pre-Construction Meeting.



2880 International Circle, Suite 110  
 Colorado Springs, CO 80910  
 Phone: 719-520-6300  
 Email: Stormwater@elpasoco.com  
[publicworks.elpasoco.com/stormwater/](http://publicworks.elpasoco.com/stormwater/)

**EL PASO COUNTY**  
**STORMWATER PERMIT FORM**  
**Associate Erosion and Stormwater Quality Control Permit (AESQCP)**

Stormwater Permit Number: ASQ 2620

<b>Part IV. Project Information</b>	
Subdivision Name and Filing Number	Haven Valley
Street Address and Lot Number*	W of Hunters Run and Cable Ln  Lot 1, 5-8, 40-44, 46, 51-54, 63-79
Schedule <i>input estimated month (or season) and year</i>	Start of Construction: 5/2026  Completion of Construction: 3/2031

\*Following issuance of this AESQCP, additional lots purchased by the Permit Holder, within the Subdivision and Filing identified above, may be added to this AESQCP by submitting an AESQCP Modification Request Form.



2880 International Circle, Suite 110  
Colorado Springs, CO 80910  
Phone: 719-520-6300  
Email: [Stormwater@elpasoco.com](mailto:Stormwater@elpasoco.com)  
[publicworks.elpasoco.com/stormwater/](http://publicworks.elpasoco.com/stormwater/)

**EL PASO COUNTY**  
**STORMWATER PERMIT FORM**  
**Associate Erosion and Stormwater Quality Control Permit (AESQCP)**

**Stormwater Permit Number:** ASQ 2620

**REQUIRED SUBMISSIONS**

See ECM Appendix I for the documentation required to be submitted, reviewed, and approved in conjunction with this Stormwater Permit Form.

**RESPONSIBILITY FOR DAMAGE**

The County and its officers and employees, including but not limited to the ECM Administrator, shall not be answerable or accountable in any manner for damage to property or for injury to or death of any person, including but not limited to the Permit Holder, persons employed by the Permit Holder, or persons acting on behalf of the Permit Holder, from any cause. The Permit Holder shall be responsible for any liability imposed by law and for damage to property or injuries to or death of any person, including but not limited to the Permit Holder, persons employed by the Permit Holder, and persons acting on behalf of the Permit Holder, arising out of work or other activity permitted and done under a permit, or arising out of the failure to perform the obligations under any permit with respect to maintenance or any other obligations, or resulting from defects or obstructions, or from any cause whatsoever during the progress of the work or other activity, or at any subsequent time work or other activity is being performed under the obligations provided by and contemplated by the permit.

The Permit Holder shall indemnify, save, and hold harmless the County and its officers and employees, including but not limited to the Board of County Commissioners (BoCC) and ECM Administrator, from all claims, suits or actions of every name, kind and description brought for or on account of damage to property or injuries to or death of any person, including but not limited to the Permit Holder, persons employed by the Permit Holder, persons acting in behalf of the Permit Holder and the public, resulting from the performance of work or other activity under the permit, or arising out of the failure to perform obligations under any permit with respect to maintenance or any other obligations, or resulting from defects or obstructions, or from any cause whatsoever during the progress of the work or other activity, or at any subsequent time work or other activity is being performed under the obligations provided by and contemplated by the permit, except as otherwise provided by state law. The Permit Holder waives any and all rights to any type of expressed or implied indemnity against the County, its officers or employees. It is the intent of the parties that the Permit Holder will indemnify, save, and hold harmless the County, its officers and employees from any and all claims, suits or actions as set forth above regardless of the existence or degree of fault of or negligence, whether active or passive, primary or secondary, on the part of the County, the Permit Holder, persons employed by the Permit Holder, or persons acting in behalf of the Permit Holder.



2880 International Circle, Suite 110  
Colorado Springs, CO 80910  
Phone: 719-520-6300  
Email: Stormwater@elpasoco.com  
[publicworks.elpasoco.com/stormwater/](http://publicworks.elpasoco.com/stormwater/)

**EL PASO COUNTY**  
**STORMWATER PERMIT FORM**

**Associate Erosion and Stormwater Quality Control Permit (AESQCP)**

**Stormwater Permit Number:** ASQ 2620

**APPLICATION AND PERMIT CERTIFICATION – PERMIT HOLDER**

We, as the Permit Holder, hereby certify that this application is correct and complete as per the requirements presented in the El Paso County Engineering Criteria Manual (ECM) and Drainage Criteria Manual (DCM) Volume 2. We, as the Permit Holder, have read and will comply with all of the requirements of the submitted Stormwater Management Plan (SWMP), Grading & Erosion Control (GEC) Plan, and any other documents specifying construction control measures to be used on the site, including permit conditions that may be required by the ECM Administrator. We understand that the approved plans are an enforceable part of the Stormwater Permit. We further understand that we are to comply with all requirements set forth by the ECM and DCM Volume 2. We understand that the permitted area is that which is shown as the Limits of Disturbance on the approved GEC Plans and any subsequently approved AESQCP Modification Request Form. We further understand all necessary construction control measures are to be installed in accordance with the SWMP, GEC Plan, ECM, and DCM Volume 2 before land disturbance begins and that failure to comply will result in a Stop Work Order and may result in other penalties as allowed by law. We understand that the construction control measures are to be maintained on the site and be modified as necessary to protect stormwater quality as the project progresses. We understand that, prior to the sale or transfer of control of the lot to a private homeowner, we are responsible for installing adequate construction control measures and informing the private homeowner of their responsibility to maintain the construction control measures until Final Stabilization is achieved, in accordance with ECM Section I.4.7 and ECM Section I.4.8. We further understand and agree to indemnify, save, and hold harmless the County and its officers and employees, including but not limited to the BoCC and ECM Administrator, from all claims, suits or actions of every name, kind and description as outlined in Responsibility for Damage section above.

Signed by:  
Jason Trynoski  
388FE9EED7EA486...  
Signature of Home Builder/Operator (Permit Holder)

5/20/2026  
Date

Jason Trynoski  
\_\_\_\_\_  
Print Name of Home Builder/Operator (Permit Holder)



2880 International Circle, Suite 110  
Colorado Springs, CO 80910  
Phone: 719-520-6300  
Email: [Stormwater@elpasoco.com](mailto:Stormwater@elpasoco.com)  
[publicworks.elpasoco.com/stormwater/](http://publicworks.elpasoco.com/stormwater/)

**EL PASO COUNTY**  
**STORMWATER PERMIT FORM**  
**Associate Erosion and Stormwater Quality Control Permit (AESQCP)**

**Stormwater Permit Number:** ASQ 2620

For all lots to be covered by the AESQCP that are not owned by the Home Builder/Operator, provide the Property Owner's information in Table 1 below.

**Table 1. Property Owner Information**

Lot Number	Property Owner Name	Current Mailing Address	Phone Number	Email Address