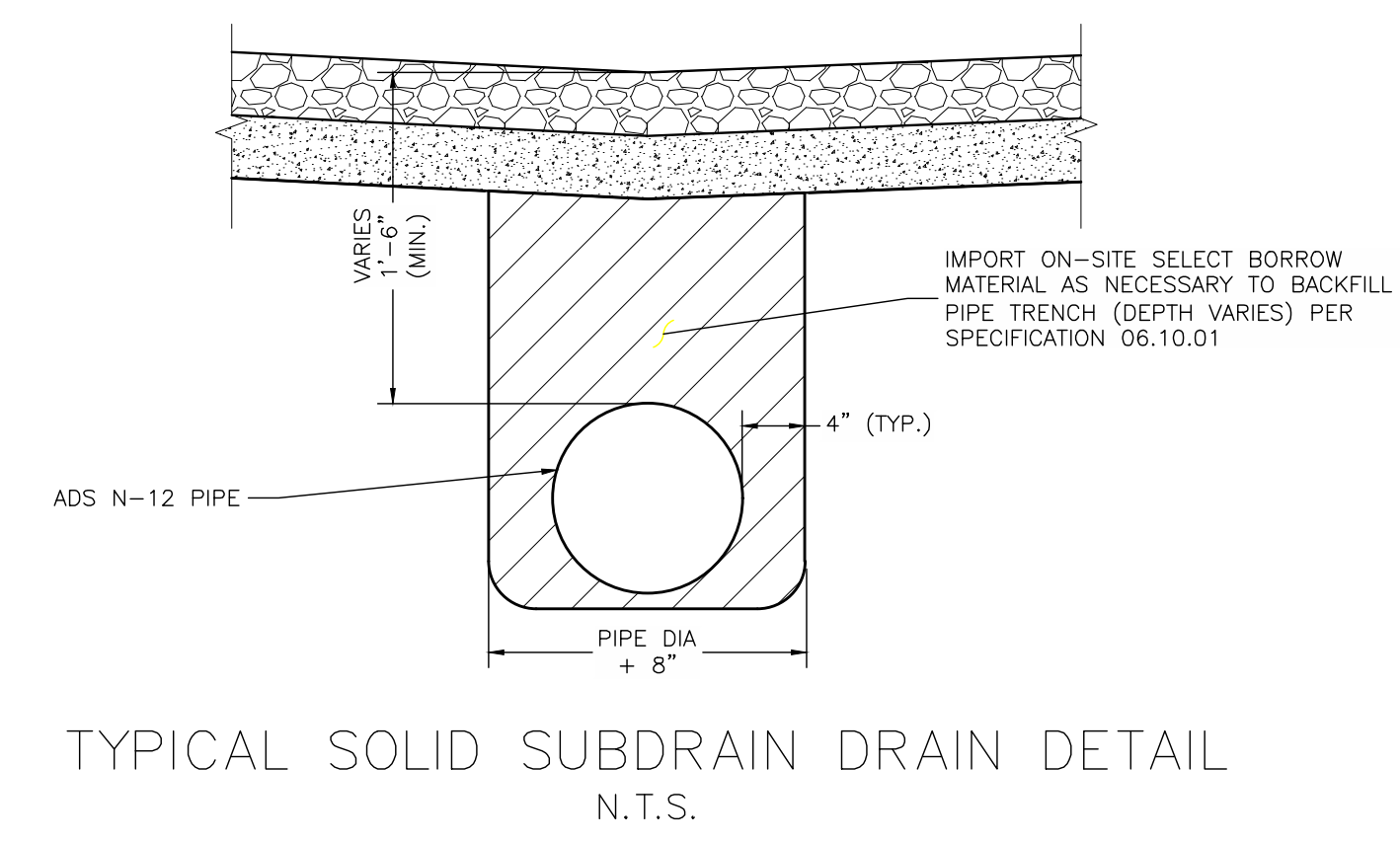
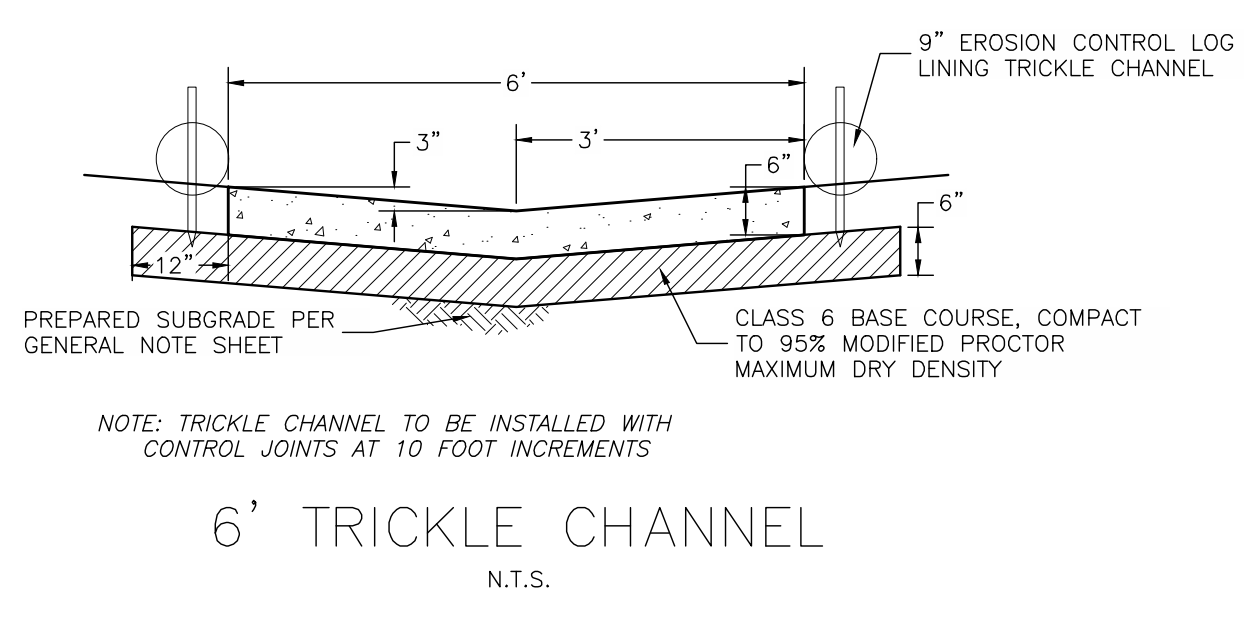
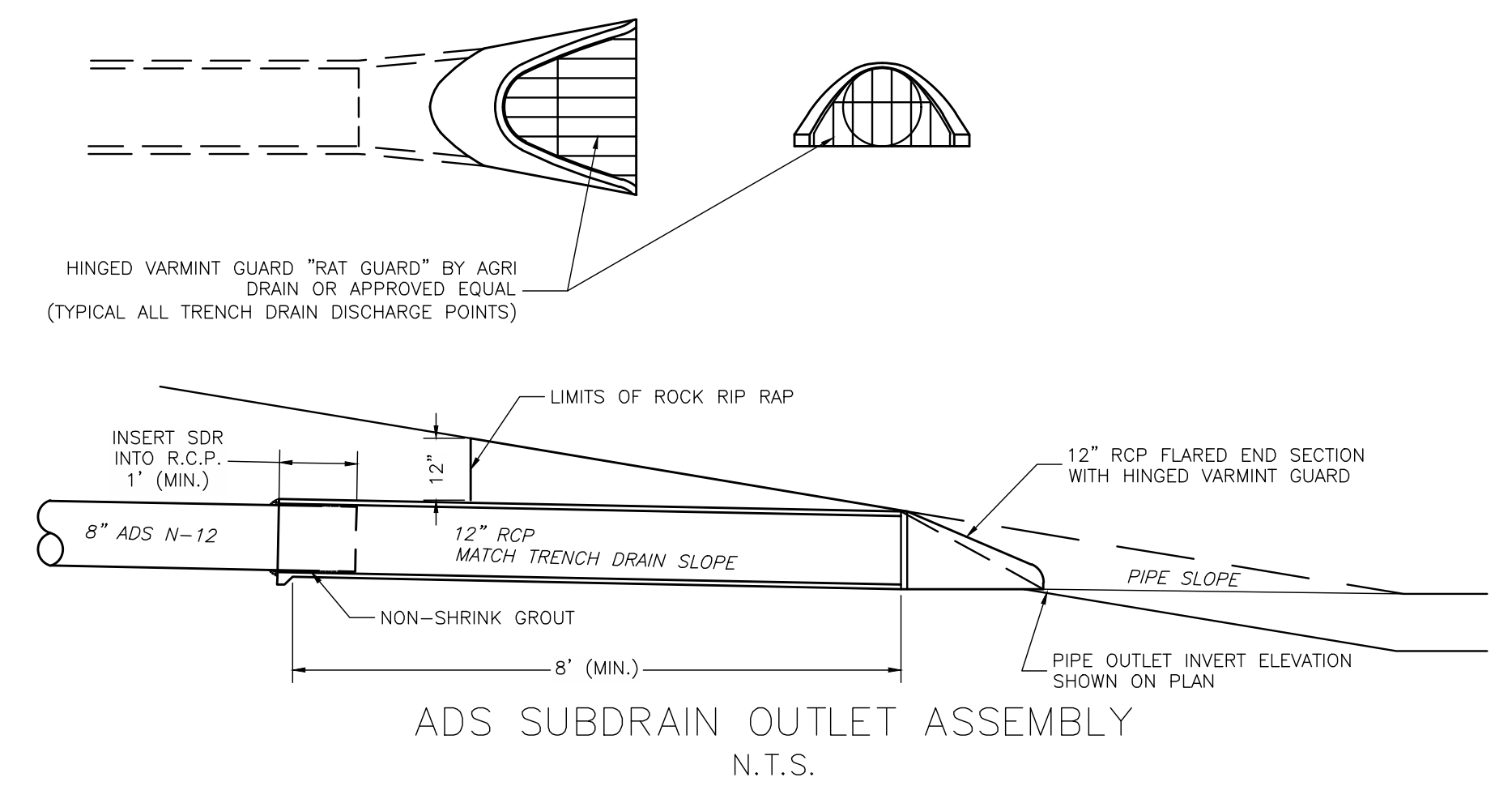
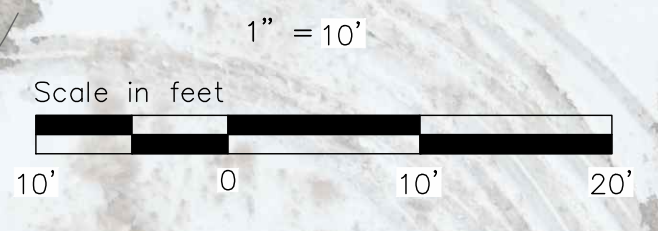
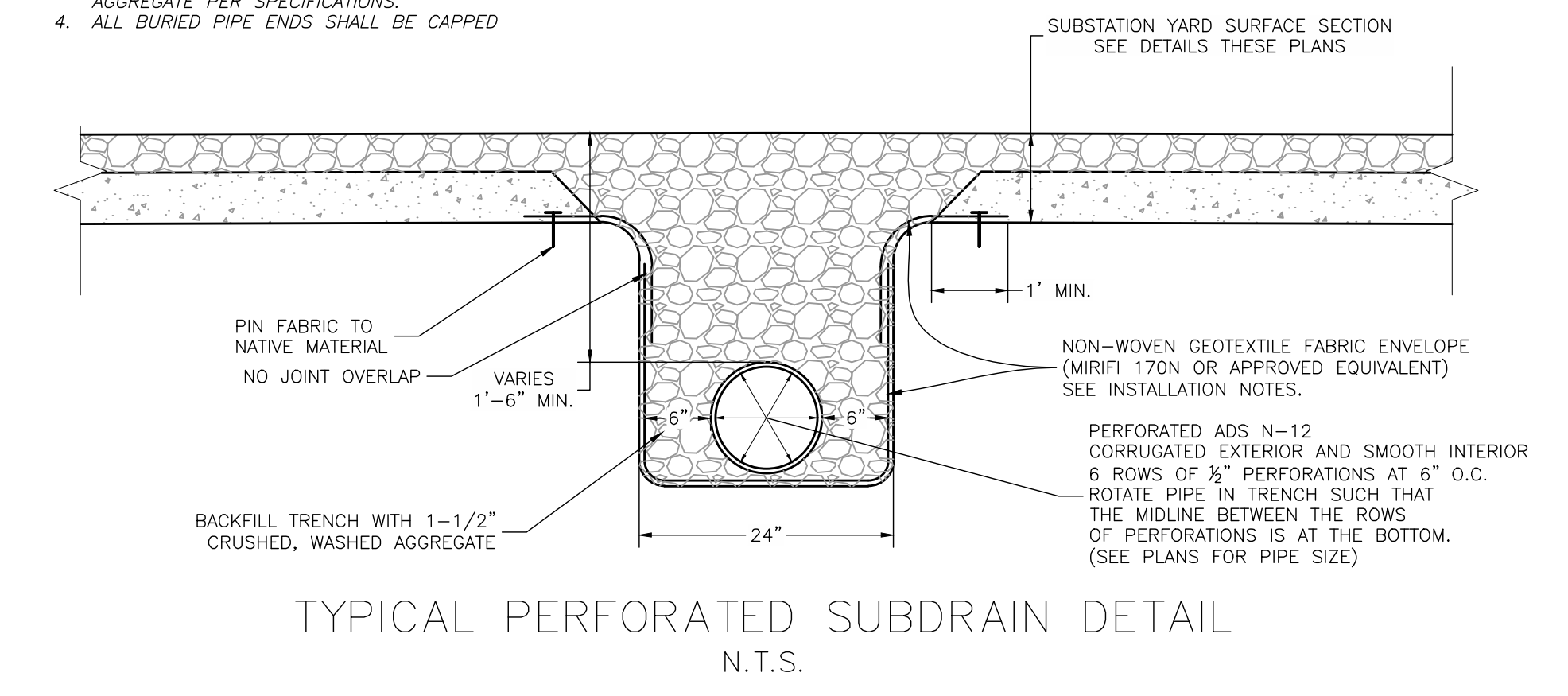
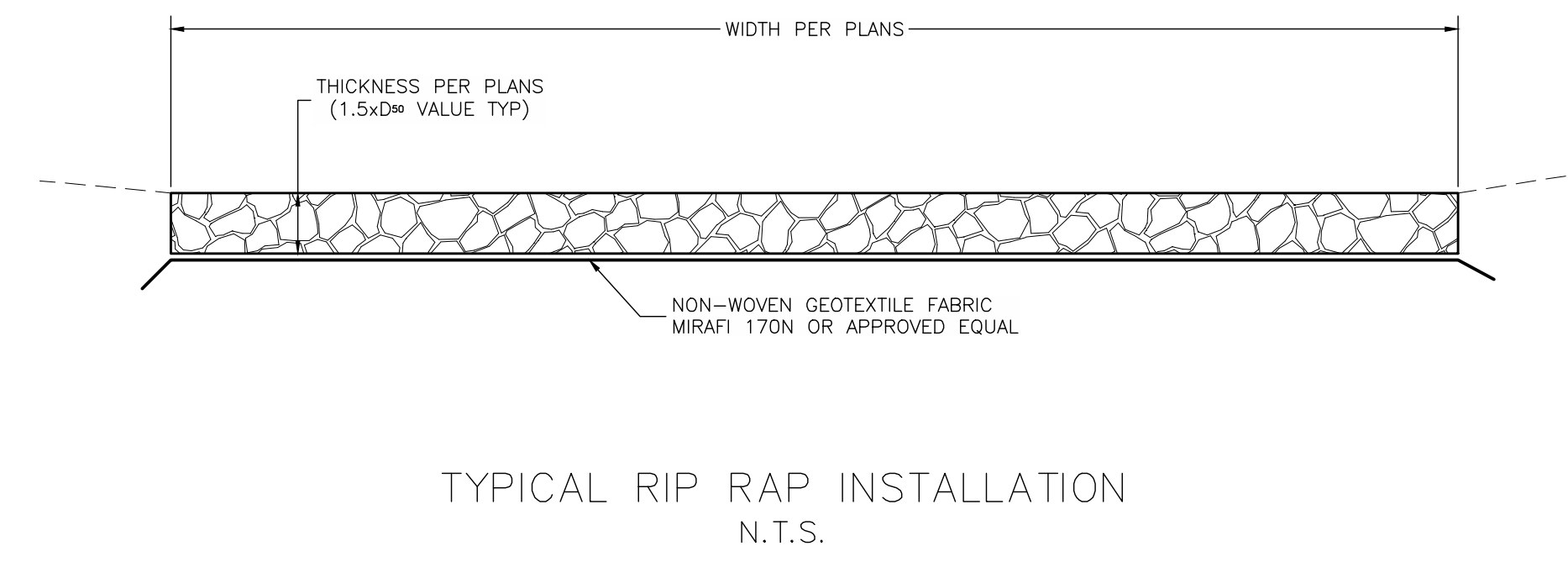


Update to provide a cover page with the title and typical title page information.



- PIPE, AGGREGATE, & FABRIC INSTALLATION NOTES:
- LAY FABRIC IN TRENCH PRIOR TO PLACEMENT OF AGGREGATE.
 - INSTALL PERFORATED PIPE TO DESIGN GRADES WITH PERFORATIONS PER DETAIL.
 - BACKFILL TO DESIGN SURFACE GRADES AND ELEVATIONS WITH 1/2\"/>

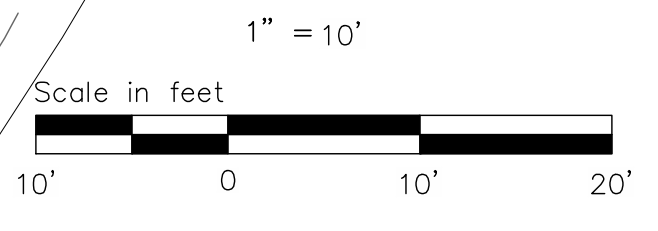
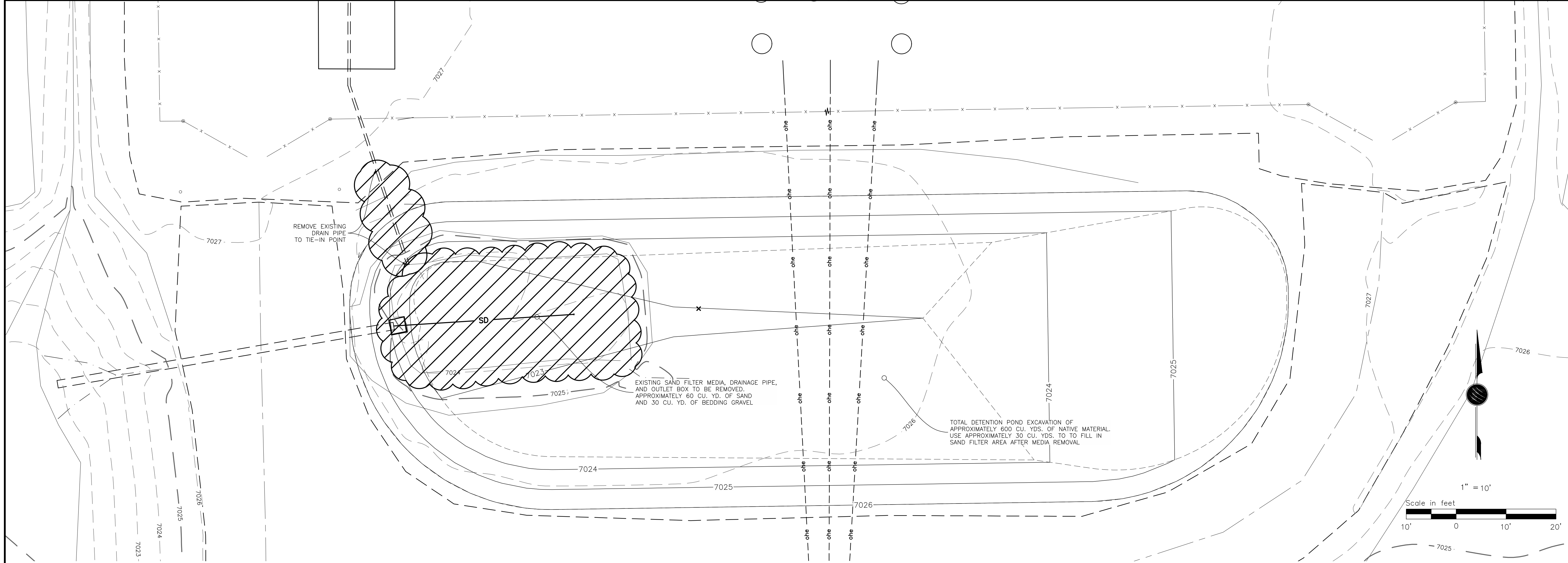


7		Revision		M.F.	
6		Dwg. No.		Mfr.	
5		Reference Drawings		Drawing Title	
4					
3					
2					
1					

VOLLMER DRAINAGE IMPROVEMENTS
 115 KV
 LAYOUT, GRADING,
 & DRAINAGE DETAILS
 TRI-STATE GENERATION & TRANSMISSION
 ASSOCIATION, INCORPORATED
 1100 W. 116th Ave.
 P.O. Box 33890
 Denver, Colorado 80233
 303-452-6111
 Updated by: TOLEMET 6/19/2024 6:57 AM Contract: S1150-A-01-011
 Path: \\DMS1\Projects\Active\Projects\2023\23203-Vollmer Sub Drainage Rfx\Drawings\DWG\Master\23203C_BASE.dwg

Dwn:	Date:
TMC	06/19/24
Appd:	Date:

S1150-A-01-011



TRI-STATE Generation and Transmission Association, Inc. 1100 W. 116th Ave. P.O. Box 338905 Denver, Colorado 80233 303-452-6111		VOLLMER DRAINAGE IMPROVEMENTS 115 KV LAYOUT & GRADING TRI-STATE GENERATION & TRANSMISSION ASSOCIATION, INCORPORATED UPDATED BY: TCLEMENT 6/19/2024 6:57 AM Contract:		Dwn: TMC Date: 06/19/24 Appd: Date:	
PATH: \\DMS1\A\Projects\Active\Projects\2023\23203-Vollmer Sub Drainage Pk\Facility\Civil\Media\23203C_BSE.dwg		No. 1 Date . Dwn. . Appd. . 2 3 4 5 6 7		Revision M.F.	
		Dwg. No.		Mgr.	
		Reference Drawings		Drawing Title	

S1150-A-01-011R

