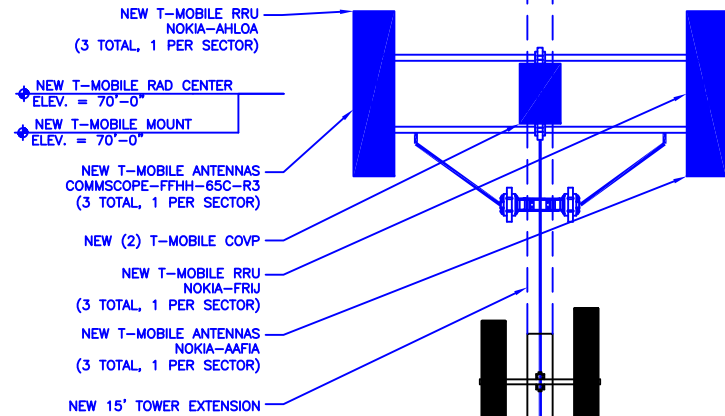


OVERALL HEIGHT OF STRUCTURE  
ELEV. = 75'-0"



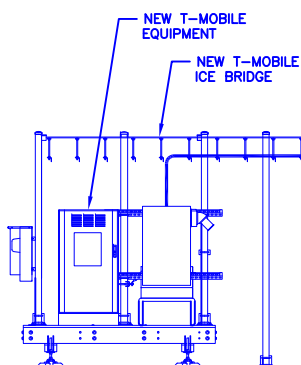
**NOTE:**  
CROWN TO DETERMINE FINAL RAD CENTER AT LATER DATE, APP & RFDS TO MATCH DRAWINGS

**INSTALLER NOTE:**  
DIRECT TOWER MOUNTED EQUIPMENT MUST NOT TRAP OR INTERFERE W/ EXISTING SAFETY CLIMB.

NEW T-MOBILE FEEDLINE:  
(2) NOKIA - ASU9325TYP01 (1-3/5")  
ROUTED INSIDE TOWER

**T-MOBILE EQUIPMENT**

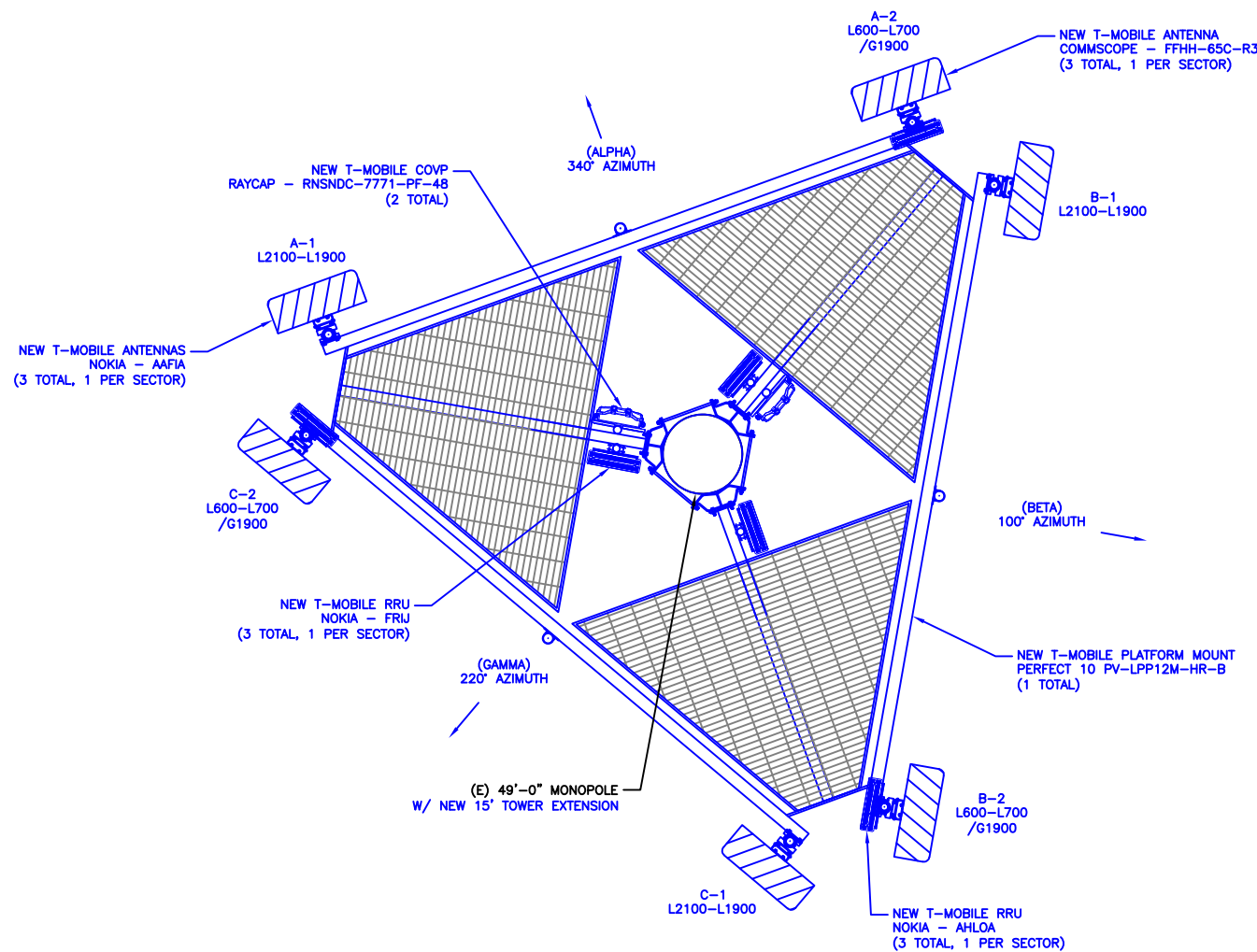
ANTENNA CL: 70'-0"  
MOUNT CL: 70'-0"



1 FINAL ELEVATION  
SCALE: NOT TO SCALE

ANTENNA SCHEDULE						
SECTOR	ALPHA		BETA		GAMMA	
ANTENNA POSITION	A-1	A-2	B-1	B-2	C-1	C-2
ANTENNA TYPES	L2100-L1900	L700-L600 /U2100	L2100-L1900	L700-L600 /U2100	L2100-L1900	L700-L600 /U2100
AZIMUTH	340°	340°	100°	100°	220°	220°
RAD CENTER (AGL)	70'-0"	70'-0"	70'-0"	70'-0"	70'-0"	70'-0"
MODEL	NOKIA - AAFIA	COMMSCOPE - FFHH-65C-R3	NOKIA - AAFIA	COMMSCOPE - FFHH-65C-R3	NOKIA - AAFIA	COMMSCOPE - FFHH-65C-R3
FEEDER LENGTH	±125'-0"	±125'-0"	±125'-0"	±125'-0"	±125'-0"	±125'-0"
FEEDER TYPE	HYBRID CABLE	HYBRID CABLE	HYBRID CABLE	HYBRID CABLE	HYBRID CABLE	HYBRID CABLE

2 ANTENNA SCHEDULE  
SCALE: NOT TO SCALE



3 FINAL ANTENNA LAYOUT  
SCALE: NOT TO SCALE



**T-Mobile**  
18400 E. 22ND AVENUE  
AURORA, CO 80011

**CROWN CASTLE**  
116 INVERNESS DR. EAST STE# 280  
ENGLEWOOD, CO 80112

T-MOBILE SITE NUMBER:  
**DN02415A**

BU #: 877103  
**KEEBLER/COLORADO  
SPGS/CSP209**

231 MAIN STREET  
COLORADO SPRINGS, CO  
80911

EXISTING 60.0 FT MONOPOLE

**ISSUED FOR:**

REV	DATE	DRWN	DESCRIPTION	DES./QA
A	07-10-2018	JAS	PRELIMINARY	ELG
B	08-17-2018	JAS	PRELIMINARY	ELG
0	08-29-2018	JAS	FINAL	ELG
1	11-20-2018	JAS	FINAL	ELG



11/29/2018

**JACOB GORALSKI, PLLC**  
CONSULTING ENGINEER  
JACOB GORALSKI, PLLC  
CO PE# 0049661  
1106 COLBI ST.  
KENNEDALE, TX 76060  
(817) 456-2621

IT IS A VIOLATION OF LAW FOR ANY PERSON, UNLESS THEY ARE ACTING UNDER THE DIRECTION OF A LICENSED PROFESSIONAL ENGINEER, TO ALTER THIS DOCUMENT.

SHEET NUMBER:

**C-2**

REVISION:

**1**

T-MOBILE SITE NUMBER:  
**DN02415A**

BU #: 877103  
**KEEBLER/COLORADO  
 SPGS/CSP209**

231 MAIN STREET  
 COLORADO SPRINGS, CO  
 80911

EXISTING 60.0 FT MONOPOLE

ISSUED FOR:

REV	DATE	DRWN	DESCRIPTION	DES./QA
A	07-10-2018	JAS	PRELIMINARY	ELG
B	08-17-2018	JAS	PRELIMINARY	ELG
0	08-29-2018	JAS	FINAL	ELG
1	11-20-2018	JAS	FINAL	ELG

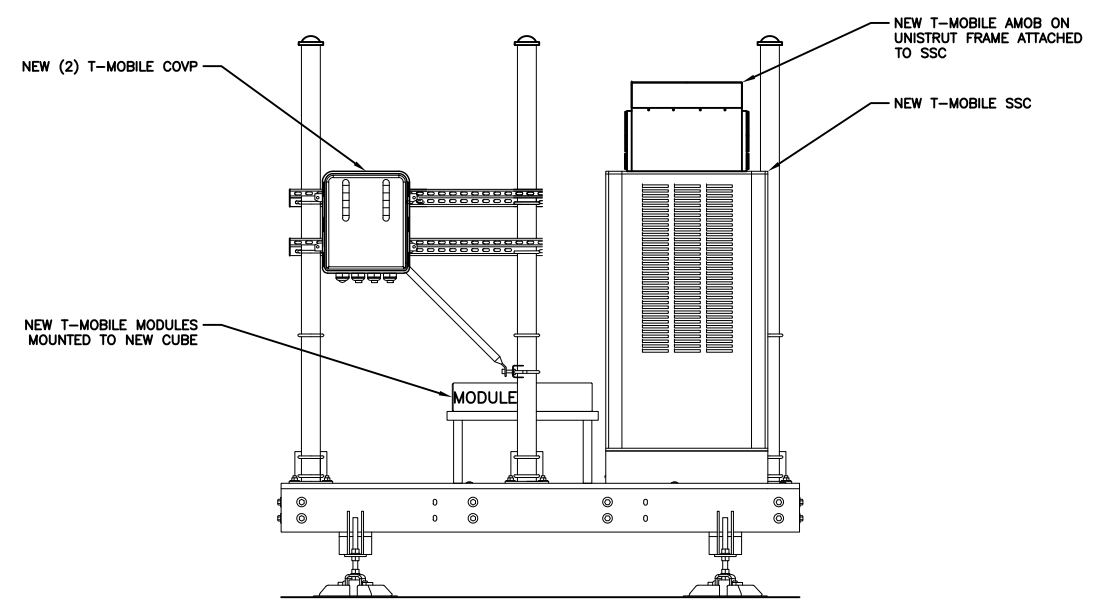
**COLORADO LICENSED**  
 JACOB GORALSKI  
**PE.0049661**  
 PROFESSIONAL ENGINEER

*Jacob Goralski*

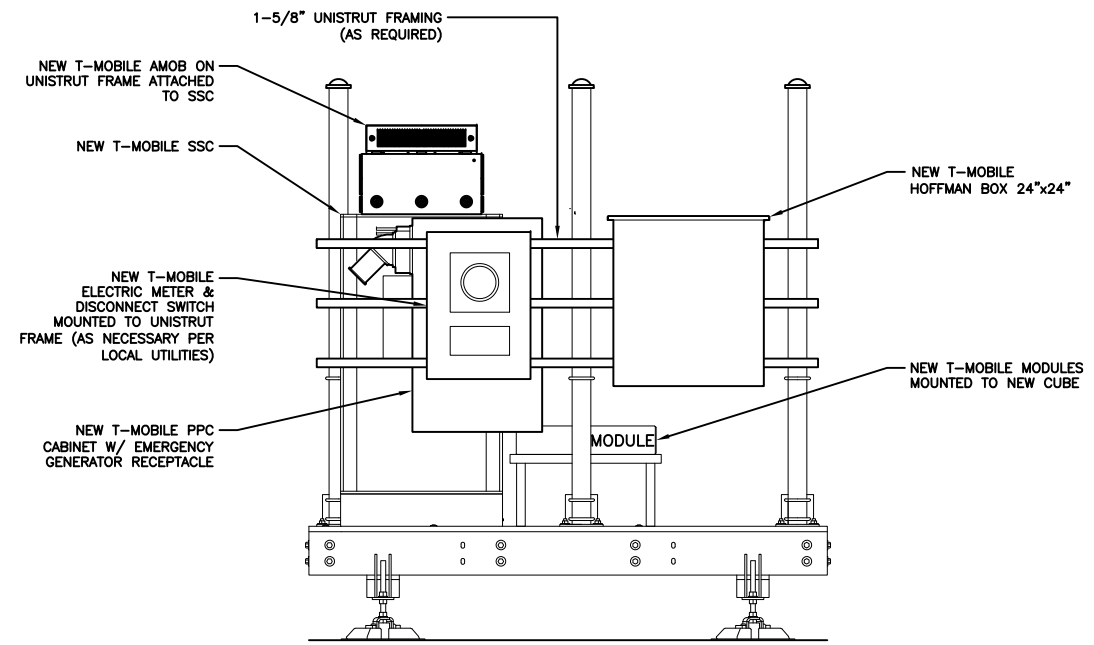
11/29/2018

**JACOB GORALSKI, PLLC**  
 CONSULTING ENGINEER  
 JACOB GORALSKI, PLLC  
 CO PE# 0049661  
 1106 COLBI ST.  
 KENNEDALE, TX 76060  
 (817) 456-2621

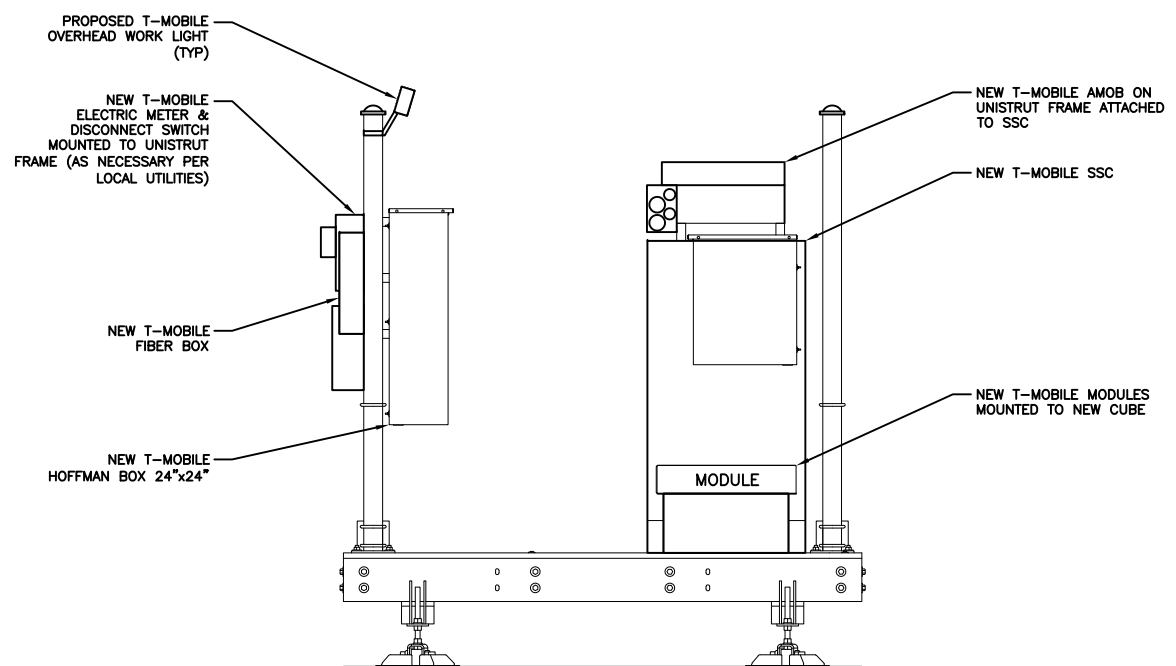
IT IS A VIOLATION OF LAW FOR ANY PERSON,  
 UNLESS THEY ARE ACTING UNDER THE DIRECTION  
 OF A LICENSED PROFESSIONAL ENGINEER,  
 TO ALTER THIS DOCUMENT.



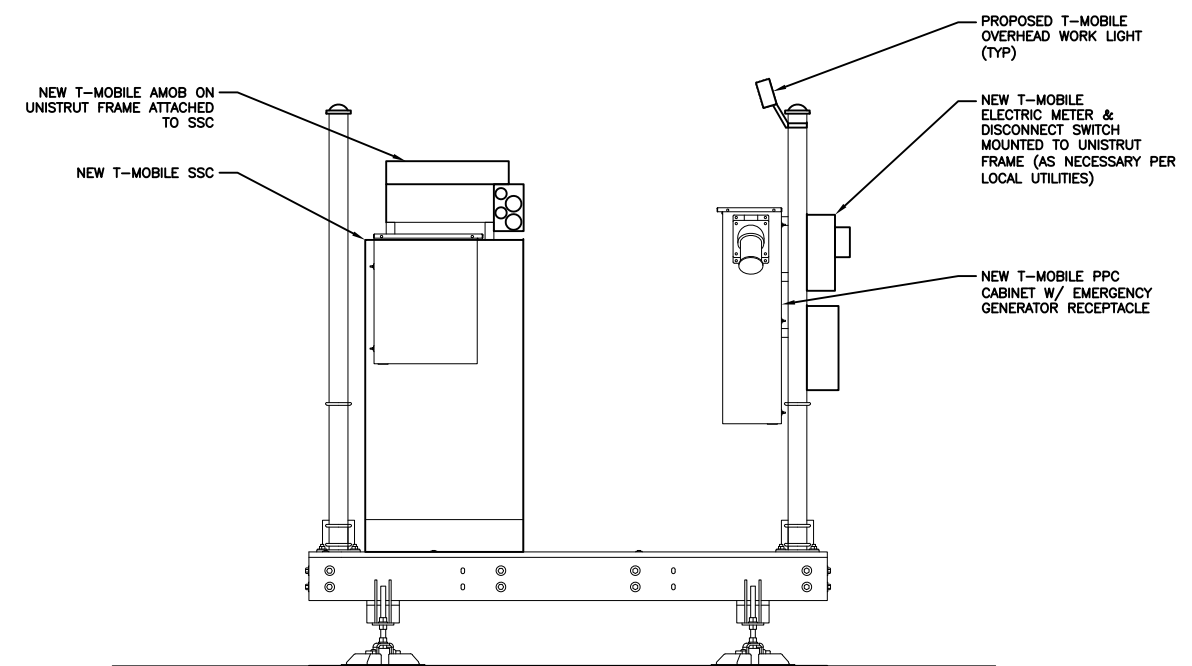
1 EQUIPMENT ELEVATION-NORTH  
 SCALE: NOT TO SCALE



2 EQUIPMENT ELEVATION-SOUTH  
 SCALE: NOT TO SCALE



3 EQUIPMENT ELEVATION-WEST  
 SCALE: NOT TO SCALE



4 EQUIPMENT ELEVATION-EAST  
 SCALE: NOT TO SCALE